

SERVICE PARTS LIST FOR MITSUBISHI ELECTRIC PACKAGED AIR-CONDITIONERS

Series : PEFY-P•VML-E

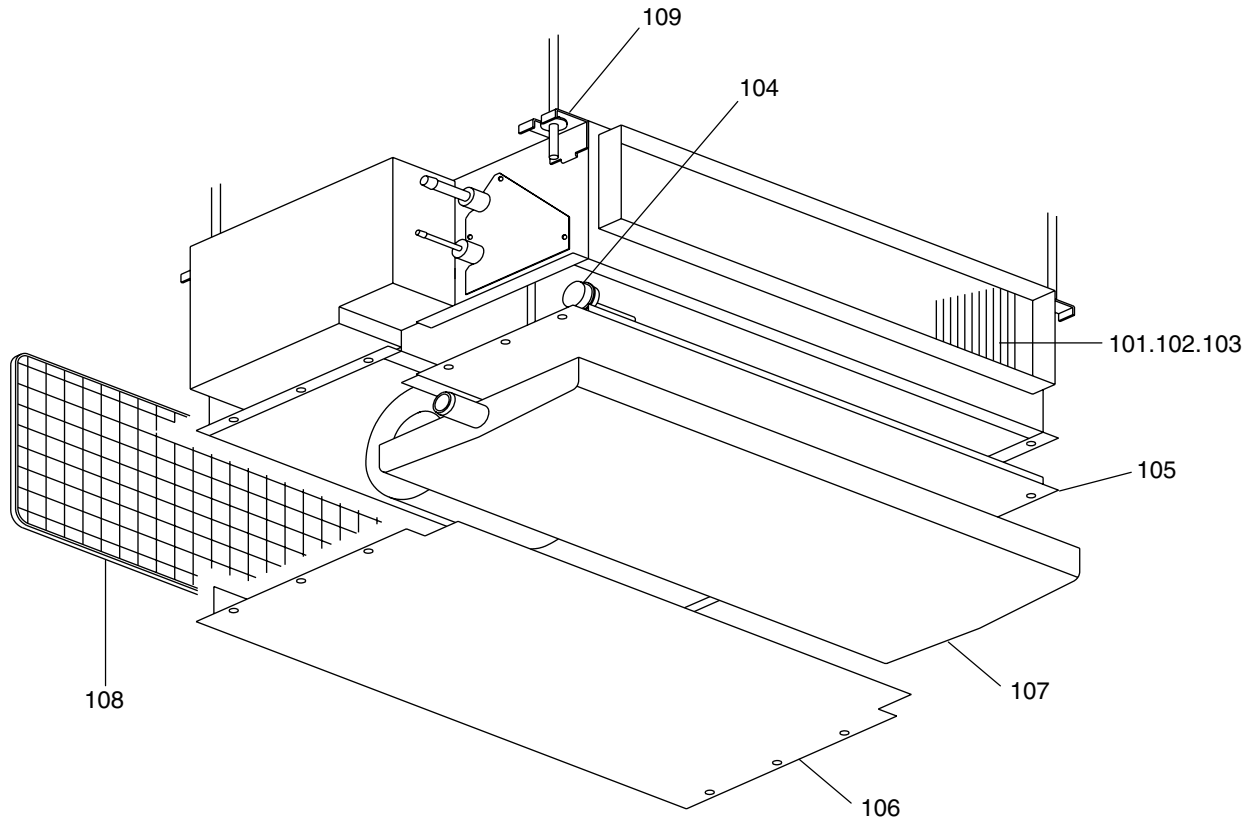
REVISED

June 2006

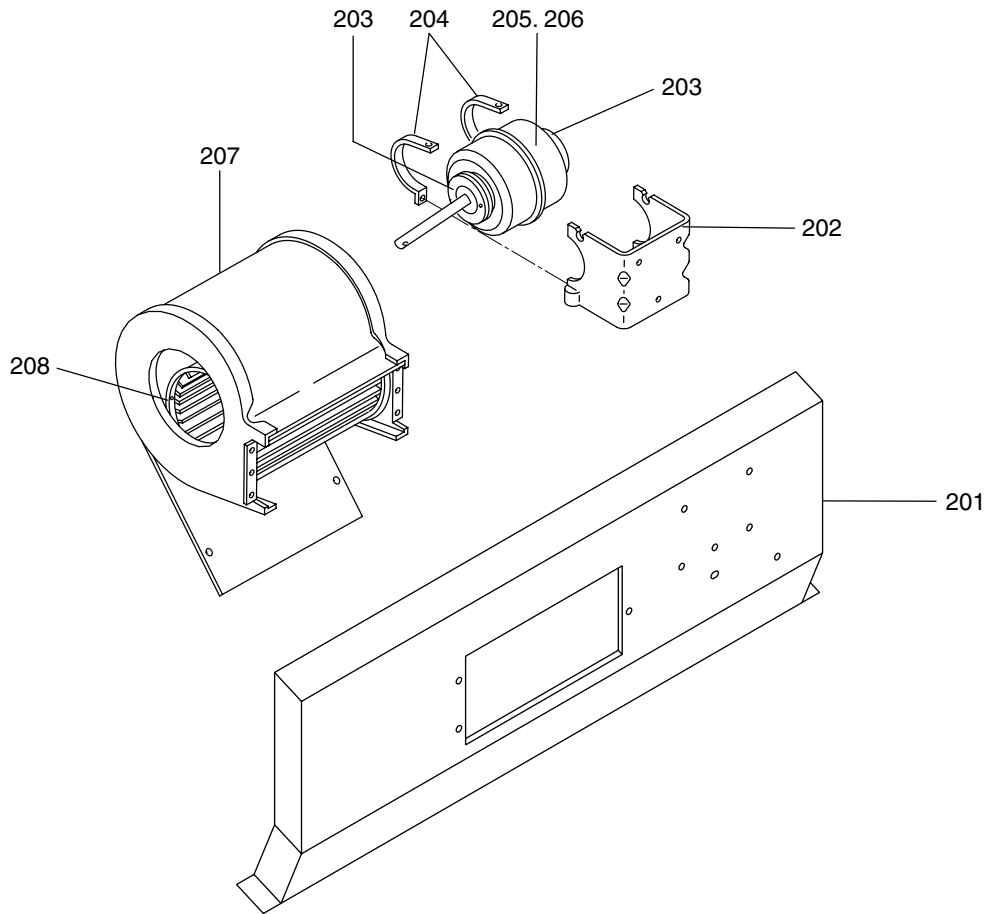
BWE0406A

INDEX
<p>PEFY-P20VML-E PEFY-P25VML-E PEFY-P32VML-E</p>

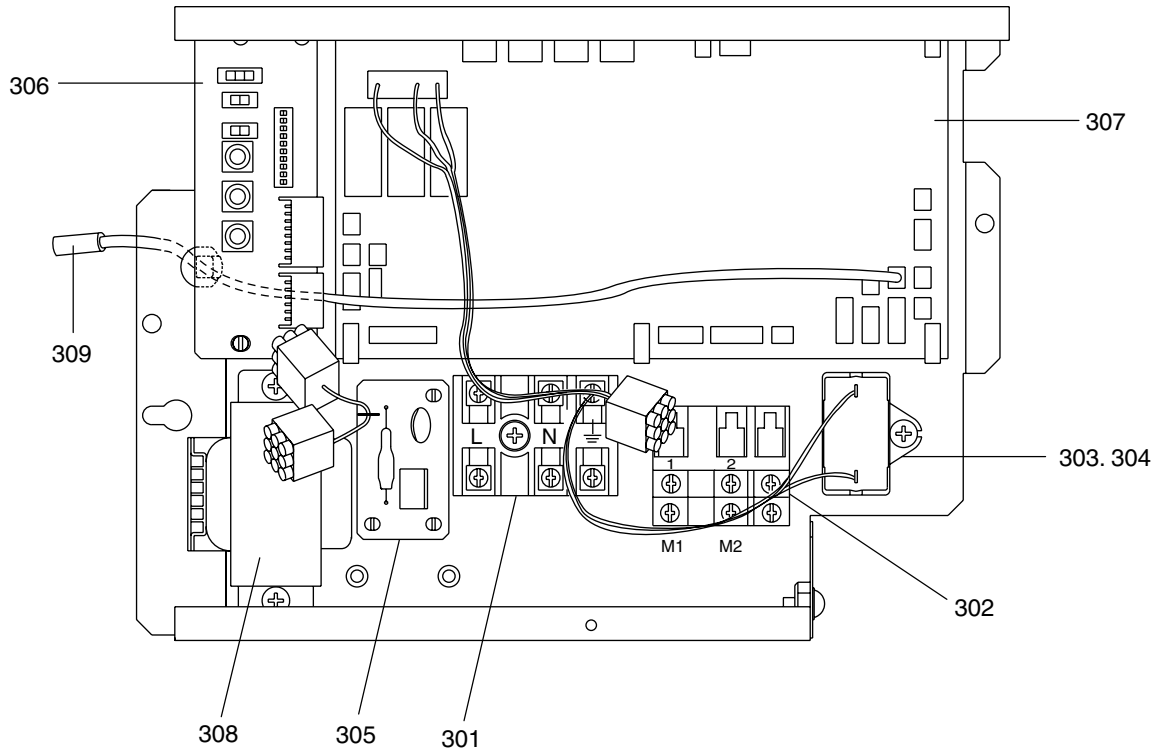




No.	Part No.	RoHS Compliant : G		Spec.	PEFY20VML-E	PEFY25VML-E	PEFY32VML-E	Dwg. No.	Price	Revision History
		Part Name								
101	R63 Y78 481	G	Heat exchanger assy		1	1	1			A
102	R63 902 936	G	Thermistor (gas)	NTH3A23-4<TH23>	1	1	1			A
103	R63 901 936	G	Thermistor (liquid)	NTH3A08-5<TH22>	1	1	1			A
104	R63 S38 401	G	Linear expansion valve	EDM4 XH<LEV>	1	1	1			A
105	R63 Y13 661	G	Bottom plate A		1	1	1			A
106	R63 Y14 661	G	Bottom plate B		1	1	1			A
107	R63 Y10 529	G	Drain pan		1	1	1			A
108	R63 Y06 501	G	Filter		1	1	1			A
109	R63 151 326	G	Hanging metal fittings L		4	4	4			A



No.	Part No.	RoHS Compliant : G		Spec.	PEFY-P20VML-E	PEFY-P25VML-E	PEFY-P32VML-E	Dwg. No.	Price	Revision History
		Part Name								
201	R63 Y14 140	G	Fan stand		1	1	1			A
202	R63 370 130	G	Motor support		1	1	1			A
203	R61 220 044	G	Rubber bush		2	2	2			A
204	R63 652 131	G	Fixing plate		2	2	2			A
205	R63 Y38 221	G	Motor P20L	CRC4417BB 1ø 23W<MF>	1	1				A
206	R63 Y39 221	G	Motor P32L	CRC4418BB 1ø 32W<MF>			1			A
207	R63 839 675	G	Fan cover		1	1	1			A
208	R63 045 103	G	Sirocco fan assy		1	1	1			A



No.	Part No.	RoHS Compliant : G		Spec.	PEFY20VML-E	PEFY25VML-E	PEFY32VML-E	Dwg. No.	Price	Revision History
			Part Name							
301	R63 Y08 715	G	Terminal block	<TB2>	1	1	1			A
302	R63 336 246	G	Terminal block	<TB5>,<TB15>	1	1	1			A
303	R63 Y14 252	G	Capacitor 1.5µF	<C>	1	1				A
304	R63 Y15 252	G	Capacitor 2.0µF	<C>			1			A
305	R63 Y22 280	G	Board assy FP-DSA		1	1	1			A
306	R63 Y37 281	G	Board assy AD	<A,B>	1	1	1			A
307	R63 Y36 281	G	Board assy RY	<I,B>	1	1	1			A
308	R61 Y28 260	G	Transformer	240/23.5V-0.9A VH<T>	1	1	1			A
309	R63 373 202	G	Thermistor (inlet)	<TH21>	1	1	1			A

