

# **SERVICE PARTS LIST FOR MITSUBISHI ELECTRIC PACKAGED AIR-CONDITIONERS**

**Series : PEFY-P·VMS-E**

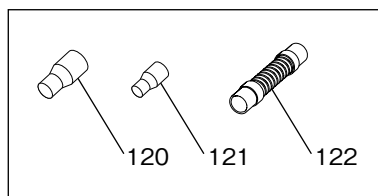
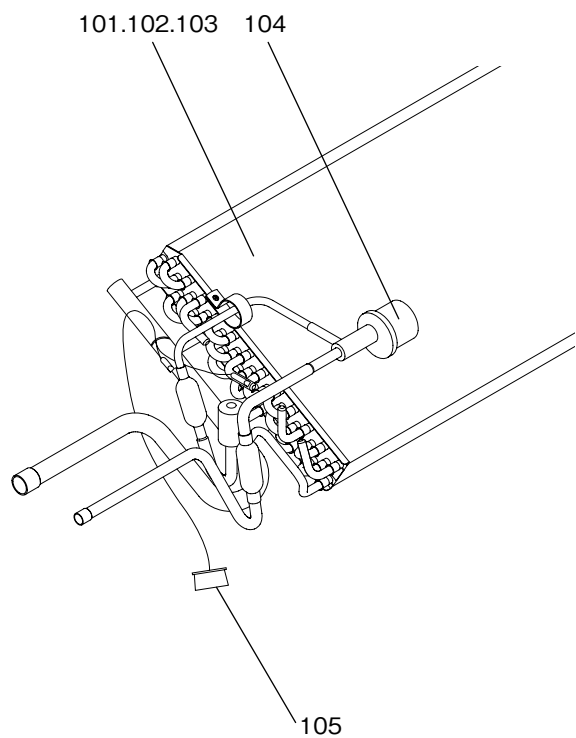
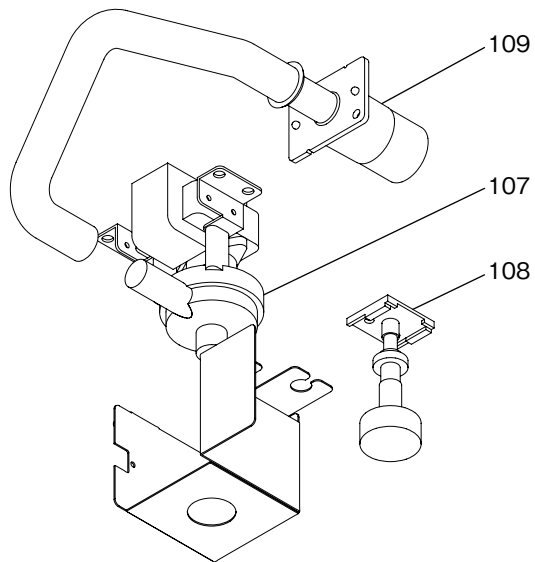
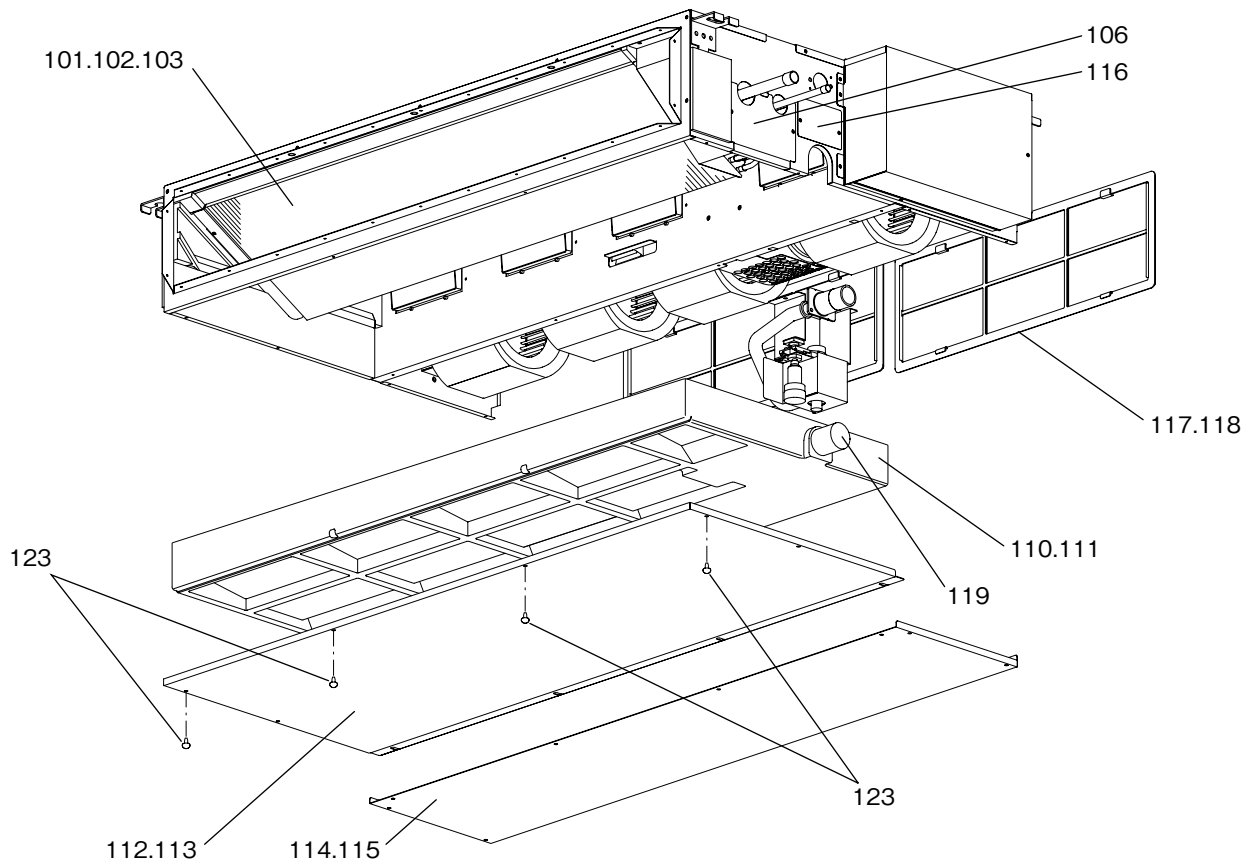
**July 2006**

**BWE06270**

<b>INDEX</b>
<b>PEFY-P20VMS-E</b>
<b>PEFY-P25VMS-E</b>
<b>PEFY-P32VMS-E</b>
<b>PEFY-P40VMS-E</b>
<b>PEFY-P50VMS-E</b>
<b>PEFY-P63VMS-E</b>

PEFY-P20,P25,P32VMS-E  
PEFY-P40,P50,P63VMS-E

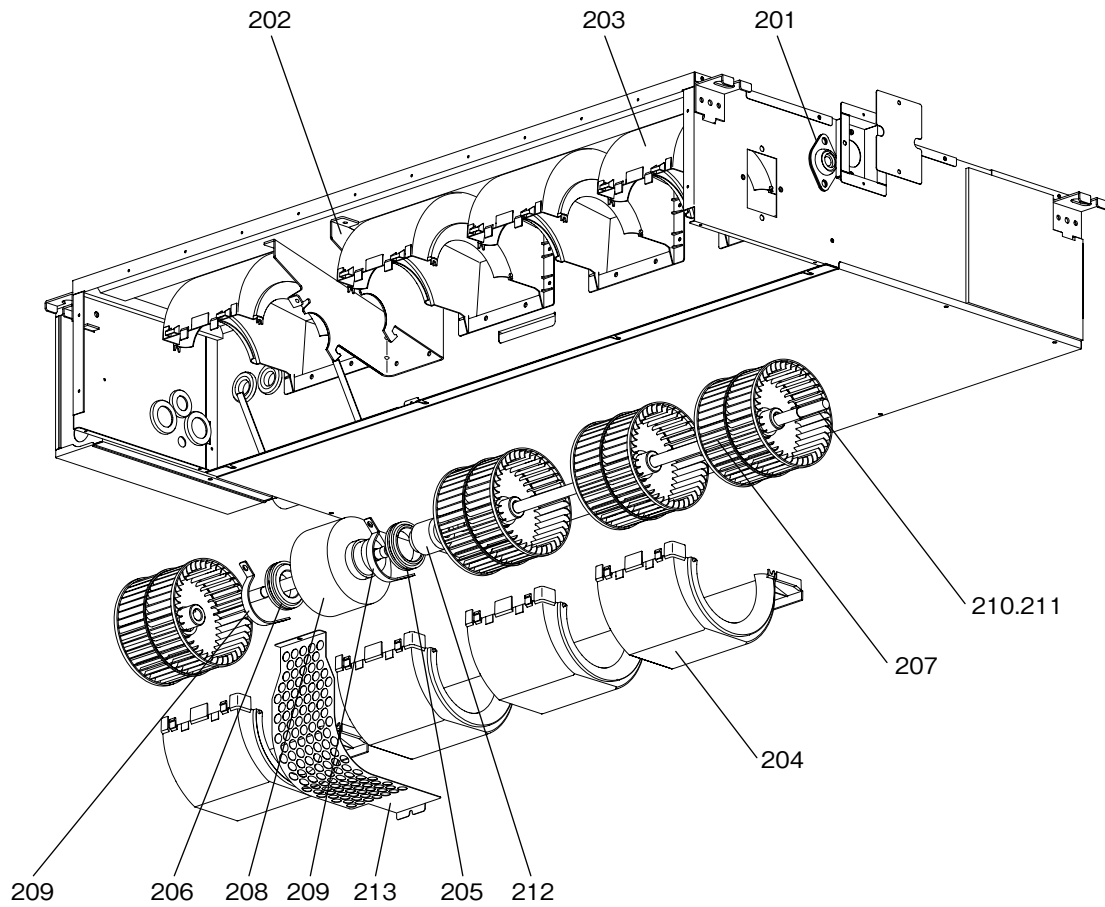
### EXTERNAL PARTS





PEFY-P20,P25,P32VMS-E  
PEFY-P40,P50,P63VMS-E

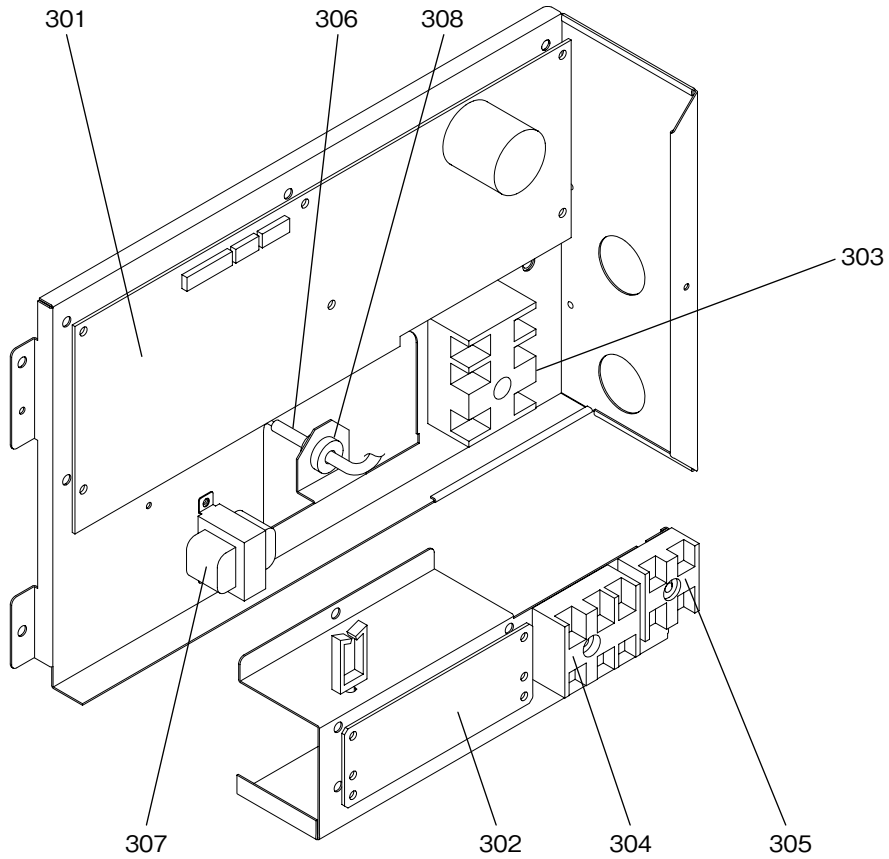
BLOWER PARTS



No.	Part No.	RoHS Compliant : G		Spec.							Dwg. No.	Price	Revision History
			Part Name		PEFY-P20VMS-E	PEFY-P25VMS-E	PEFY-P32VMS-E	PEFY-P40VMS-E	PEFY-P50VMS-E	PEFY-P63VMS-E			
201	R61 001 102	G	Bearing		1	1	1	1	1	1	KB58C793G01		
202	R61 001 128	G	Motor base		1	1	1	1	1	1	KB02B174H01		
203	R61 001 129	G	Fan case A		3	3	3	3	3	4	KB25A035G01		
204	R61 002 129	G	Fan case B		3	3	3	3	3	4	KB25A036G01		
205	R61 001 505	G	Rubber mount L	ID43	1	1	1	1	1	1	KB31D833H01		
206	R61 002 505	G	Rubber mount R	ID34	1	1	1	1	1	1	KB31D833H02		
207	R61 001 114	G	Sirocco fan assy		3	3	3	3	3	4	KB00D850G01		
208	R61 010 220	G	Motor	SIC-70CW 96W	1	1	1	1	1	1	P780077X01		
209	R63 652 131	G	Fixing plate		2	2	2	2	2	2	W353715H01		
210	R61 004 100	G	Shaft P20		1	1	1	1	1		KB10C750H02		
211	R61 005 100	G	Shaft P63							1	KB10C751H02		
212	R61 001 490	G	Fan joint		1	1	1	1	1	1	BG00R533G09		
213	R61 010 690	G	Motor cover		1	1	1	1	1	1	KB02C821H01		

PEFY-P20,P25,P32VMS-E  
 PEFY-P40,P50,P63VMS-E

CONTROL BOX PARTS



No.	Part No.	RoHS Compliant : G		Spec.	PEFY-P20VMS-E	PEFY-P25VMS-E	PEFY-P32VMS-E	PEFY-P40VMS-E	PEFY-P50VMS-E	PEFY-P63VMS-E	Dwg. No.	Price	Revision History
		Part Name											
301	R61 007 280	G	PCA board assy INDOOR		1	1	1	1	1	1	PP00249B01		
302	R61 008 280	G	PCA board assy AD D		1	1	1	1	1	1	KE00D123G03		
303	R61 002 246	G	Terminal block assy		1	1	1	1	1	1	BG00R200G26		
304	R61 003 246	G	Terminal block assy		1	1	1	1	1	1	BG00R200G45		
305	R61 004 246	G	Terminal block assy		1	1	1	1	1	1	BG00R200G15		
306	R63 7G7 287	G	Thermistor		1	1	1	1	1	1	P418029X01		
307	R61 006 259	G	Reactor							1	P715434X01		
308	R63 729 104	G	Bush	KR-51	1	1	1	1	1	1	P459023X01		

