

SERVICE PARTS LIST FOR MITSUBISHI ELECTRIC PACKAGED AIR-CONDITIONERS

**Series : PEFY-P.VMS1-E.TH
PEFY-P.VMS1L-E.TH
PEFY-P.VMS1-E.TH-T**

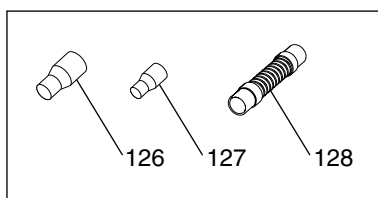
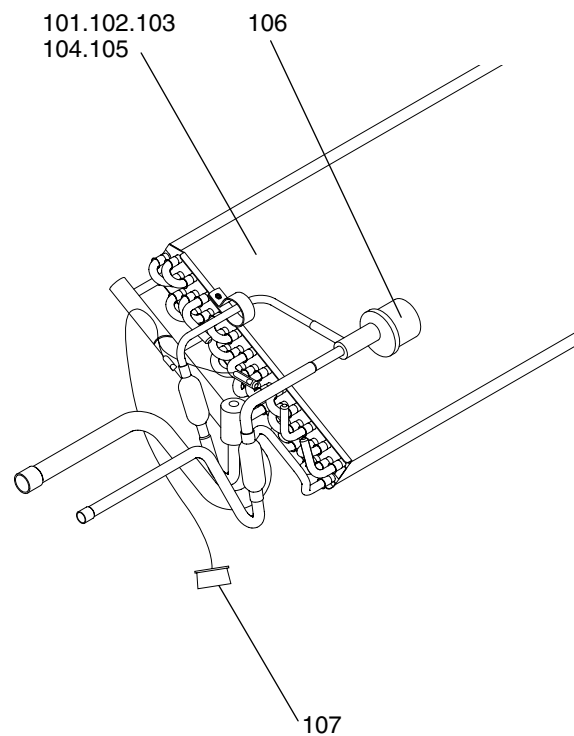
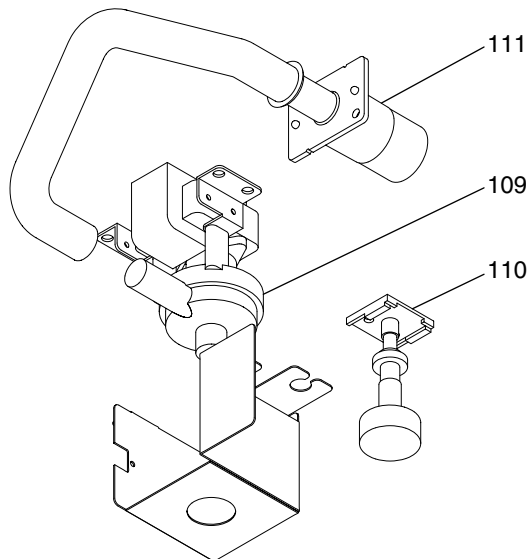
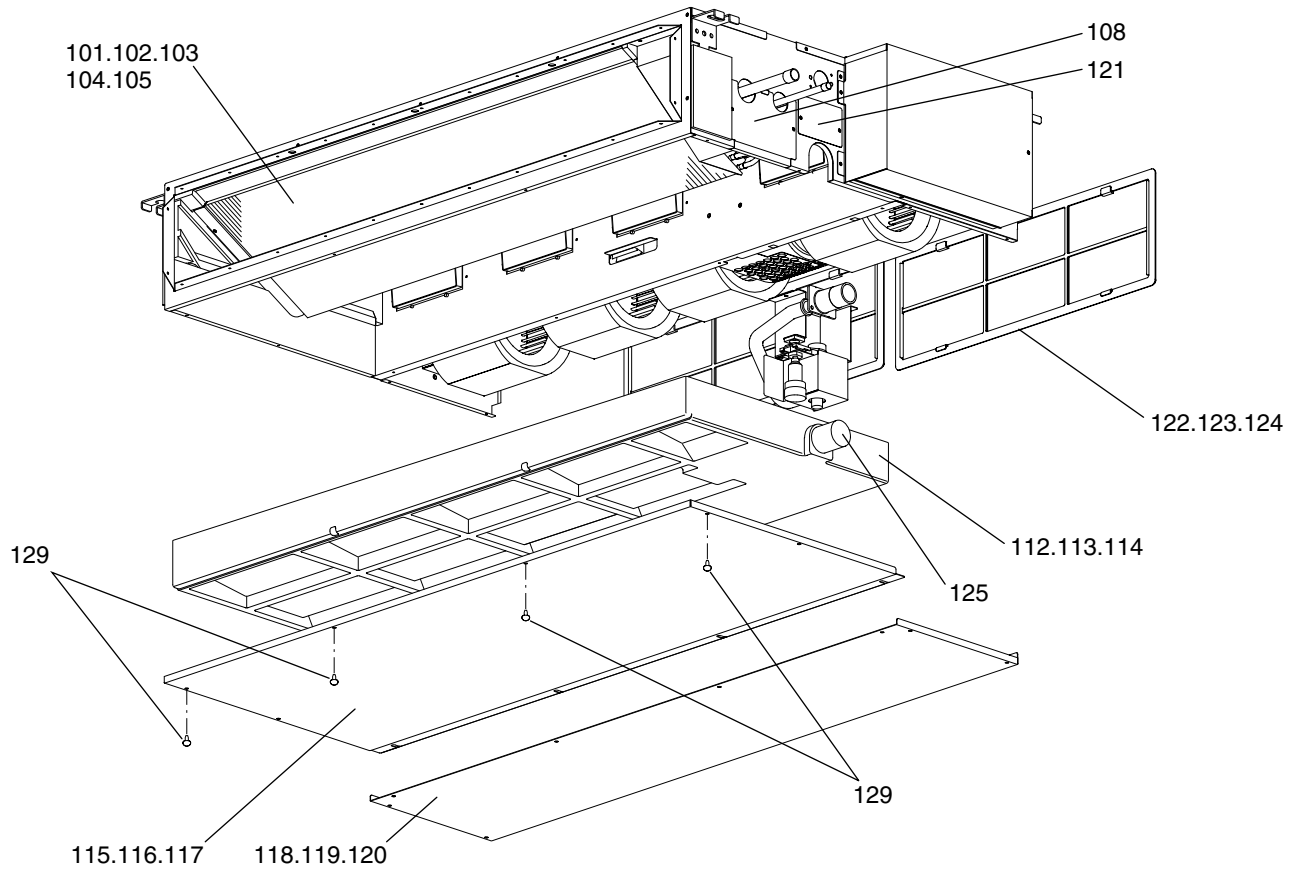
Aug. 2007
BWE07110

INDEX

PEFY-P15VMS1(L)-E.TH	PEFY-P15VMS1-E.TH-T
PEFY-P20VMS1(L)-E.TH	PEFY-P20VMS1-E.TH-T
PEFY-P25VMS1(L)-E.TH	PEFY-P25VMS1-E.TH-T
PEFY-P32VMS1(L)-E.TH	PEFY-P32VMS1-E.TH-T
PEFY-P40VMS1(L)-E.TH	PEFY-P40VMS1-E.TH-T
PEFY-P50VMS1(L)-E.TH	PEFY-P50VMS1-E.TH-T
PEFY-P63VMS1(L)-E.TH	PEFY-P63VMS1-E.TH-T

PEFY-P15,P20,P25,P32,P40,P50,P63VMS1-E.TH
 PEFY-P15,P20,P25,P32,P40,P50,P63VMS1L-E.TH
 PEFY-P15,P20,P25,P32,P40,P50,P63VMS1-E.TH-T

EXTERNAL PARTS



PEFY-P15,P20,P25,P32,P40,P50,P63VMS1-E.TH
PEFY-P15,P20,P25,P32,P40,P50,P63VMS1L-E.TH
PEFY-P15,P20,P25,P32,P40,P50,P63VMS1-E.TH-T

EXTERNAL PARTS

No.	Part No.	G : RoHS Apply Only W : RoHS Apply by Running Change		Spec.	PEFY-P15VMS1-E.TH	PEFY-P20VMS1-E.TH	PEFY-P25VMS1-E.TH	PEFY-P32VMS1-E.TH	PEFY-P40VMS1-E.TH	PEFY-P50VMS1-E.TH	Dwg. No.	Price	Revision History
		Part Name											
101	E17 402 620	G	HEAT EXCHANGER		1						KB00A079B01		
102	E17 403 620	G	HEAT EXCHANGER			1	1				KB00A082B01		
103	E17 405 620	G	HEAT EXCHANGER					1			KB00A080B01		
104	E17 406 620	G	HEAT EXCHANGER						1	1	KB00A081B01		
105	E17 408 620	G	HEAT EXCHANGER								KB00A075B01		
106	E17 409 640	G	LINEAR EXPANSION VALVE	EFM-40YGMD-1	1	1	1	1	1	1	KB50B472H01		
107	E17 319 307	G	THERMISTOR		1	1	1	1	1	1	RG71V202G01		
108	E17 319 690	G	COVER PIPE ASSY		1	1	1	1	1	1	KB00H214G02		
109	E17 409 355	G	PUMP	PLD	1	1	1	1	1	1	KB56B515H01		
110	E17 409 145	G	FLOAT SWITCH		1	1	1	1	1	1	BH68C952H02		
111	E17 409 704	G	SOCKET ASSY		1	1	1	1	1	1	KB00G754G01		
112	E17 319 700	G	DRAIN PAN S ASSY		1	1	1	1			KB00G775G04		
113	E17 320 700	G	DRAIN PAN M ASSY						1	1	KB00G775G05		
114	E17 326 700	G	DRAIN PAN L ASSY								KB00G775G06		
115	E17 319 717	G	PANEL UNDER 1 S ASSY		1	1	1	1			KB00G776G01		
116	E17 320 717	G	PANEL UNDER 1 M ASSY						1	1	KB00G776G02		
117	E17 326 717	G	PANEL UNDER 1 L ASSY								KB00G776G03		
118	E17 319 718	G	PANEL UNDER 2 S		1	1	1	1			KB02B455G01		
119	E17 320 718	G	PANEL UNDER 2 M						1	1	KB02B457G01		
120	E17 326 718	G	PANEL UNDER 2 L								KB02A071G01		
121	E17 409 690	G	COVER ASSY		1	1	1	1	1	1	KB00H222G01		
122	E17 319 100	G	FILTER 15		1	1	1	1			KB35B272G02		
123	E17 320 100	G	FILTER 40						1	1	KB35B207G02		
124	E17 326 100	G	FILTER 63								KB35B208G02		
125	E17 414 524	G	PLUG	RUBBER	1	1	1	1	1	1	KB26H049H01		
126	E17 407 204	G	REDUCER	12.7-15.88						1	KB14H395G01		
127	E17 414 204	G	REDUCER	6.35-9.52						1	KB14H390G01		
128	E17 319 702	G	DRAIN HOSE		1	1	1	1	1	1	BC27R200K03		
129	E17 319 250	G	SCREW ASSY		3	3	3	3	4	4	KB12H389G01		

PEFY-P15,P20,P25,P32,P40,P50,P63VMS1-E.TH
 PEFY-P15,P20,P25,P32,P40,P50,P63VMS1L-E.TH
 PEFY-P15,P20,P25,P32,P40,P50,P63VMS1-E.TH-T

EXTERNAL PARTS

No.	Part No.	G : RoHS Apply Only W : RoHS Apply by Running Change		Spec.	PEFY-P63VMS1-E.TH	PEFY-P15VMS1L-E.TH	PEFY-P20VMS1L-E.TH	PEFY-P25VMS1L-E.TH	PEFY-P32VMS1L-E.TH	PEFY-P40VMS1L-E.TH	Dwg. No.	Price	Revision History
		Part Name											
101	E17 402 620	G	HEAT EXCHANGER			1					KB00A079B01		
102	E17 403 620	G	HEAT EXCHANGER				1	1			KB00A082B01		
103	E17 405 620	G	HEAT EXCHANGER						1		KB00A080B01		
104	E17 406 620	G	HEAT EXCHANGER							1	KB00A081B01		
105	E17 408 620	G	HEAT EXCHANGER		1						KB00A075B01		
106	E17 409 640	G	LINEAR EXPANSION VALVE	EFM-40YGMD-1	1	1	1	1	1	1	KB50B472H01		
107	E17 319 307	G	THERMISTOR		1	1	1	1	1	1	RG71V202G01		
108	E17 319 690	G	COVER PIPE ASSY		1	1	1	1	1	1	KB00H214G02		
109	E17 409 355	G	PUMP	PLD	1						KB56B515H01		
110	E17 409 145	G	FLOAT SWITCH		1						BH68C952H02		
111	E17 409 704	G	SOCKET ASSY		1						KB00G754G01		
112	E17 319 700	G	DRAIN PAN S ASSY			1	1	1	1		KB00G775G04		
113	E17 320 700	G	DRAIN PAN M ASSY							1	KB00G775G05		
114	E17 326 700	G	DRAIN PAN L ASSY		1						KB00G775G06		
115	E17 319 717	G	PANEL UNDER 1 S ASSY			1	1	1	1		KB00G776G01		
116	E17 320 717	G	PANEL UNDER 1 M ASSY							1	KB00G776G02		
117	E17 326 717	G	PANEL UNDER 1 L ASSY		1						KB00G776G03		
118	E17 319 718	G	PANEL UNDER 2 S			1	1	1	1		KB02B455G01		
119	E17 320 718	G	PANEL UNDER 2 M							1	KB02B457G01		
120	E17 326 718	G	PANEL UNDER 2 L		1						KB02A071G01		
121	E17 409 690	G	COVER ASSY		1						KB00H222G01		
122	E17 319 100	G	FILTER 15			1	1	1	1		KB35B272G02		
123	E17 320 100	G	FILTER 40							1	KB35B207G02		
124	E17 326 100	G	FILTER 63		2						KB35B208G02		
125	E17 414 524	G	PLUG	RUBBER	1						KB26H049H01		
126	E17 407 204	G	REDUCER	12.7-15.88							KB14H395G01		
127	E17 414 204	G	REDUCER	6.35-9.52							KB14H390G01		
128	E17 319 702	G	DRAIN HOSE		1	1	1	1	1	1	BC27R200K03		
129	E17 319 250	G	SCREW ASSY		4	3	3	3	3	4	KB12H389G01		

PEFY-P15,P20,P25,P32,P40,P50,P63VMS1-E.TH
PEFY-P15,P20,P25,P32,P40,P50,P63VMS1L-E.TH
PEFY-P15,P20,P25,P32,P40,P50,P63VMS1-E.TH-T

EXTERNAL PARTS

No.	Part No.	G : RoHS Apply Only W : RoHS Apply by Running Change		Spec.	PEFY-P50VMS1L-E.TH	PEFY-P63VMS1L-E.TH	PEFY-P15VMS1E-TH-T	PEFY-P20VMS1E-TH-T	PEFY-P25VMS1E-TH-T	PEFY-P32VMS1E-TH-T	Dwg. No.	Price	Revision History
		Part Name											
101	E17 402 620	G	HEAT EXCHANGER				1				KB00A079B01		
102	E17 403 620	G	HEAT EXCHANGER					1	1		KB00A082B01		
103	E17 405 620	G	HEAT EXCHANGER							1	KB00A080B01		
104	E17 406 620	G	HEAT EXCHANGER		1						KB00A081B01		
105	E17 408 620	G	HEAT EXCHANGER			1					KB00A075B01		
106	E17 409 640	G	LINEAR EXPANSION VALVE	EFM-40YGMD-1	1	1	1	1	1	1	KB50B472H01		
107	E17 319 307	G	THERMISTOR		1	1	1	1	1	1	RG71V202G01		
108	E17 319 690	G	COVER PIPE ASSY		1	1	1	1	1	1	KB00H214G02		
109	E17 409 355	G	PUMP	PLD			1	1	1	1	KB56B515H01		
110	E17 409 145	G	FLOAT SWITCH				1	1	1	1	BH68C952H02		
111	E17 409 704	G	SOCKET ASSY				1	1	1	1	KB00G754G01		
112	E17 319 700	G	DRAIN PAN S ASSY				1	1	1	1	KB00G775G04		
113	E17 320 700	G	DRAIN PAN M ASSY		1						KB00G775G05		
114	E17 326 700	G	DRAIN PAN L ASSY			1					KB00G775G06		
115	E17 319 717	G	PANEL UNDER 1 S ASSY				1	1	1	1	KB00G776G01		
116	E17 320 717	G	PANEL UNDER 1 M ASSY		1						KB00G776G02		
117	E17 326 717	G	PANEL UNDER 1 L ASSY			1					KB00G776G03		
118	E17 319 718	G	PANEL UNDER 2 S				1	1	1	1	KB02B455G01		
119	E17 320 718	G	PANEL UNDER 2 M		1						KB02B457G01		
120	E17 326 718	G	PANEL UNDER 2 L			1					KB02A071G01		
121	E17 409 690	G	COVER ASSY				1	1	1	1	KB00H222G01		
122	E17 319 100	G	FILTER 15				1	1	1	1	KB35B272G02		
123	E17 320 100	G	FILTER 40		1						KB35B207G02		
124	E17 326 100	G	FILTER 63			2					KB35B208G02		
125	E17 414 524	G	PLUG	RUBBER			1	1	1	1	KB26H049H01		
126	E17 407 204	G	REDUCER	12.7-15.88	1						KB14H395G01		
127	E17 414 204	G	REDUCER	6.35-9.52	1						KB14H390G01		
128	E17 319 702	G	DRAIN HOSE		1	1	1	1	1	1	BC27R200K03		
129	E17 319 250	G	SCREW ASSY		4	4	3	3	3	3	KB12H389G01		

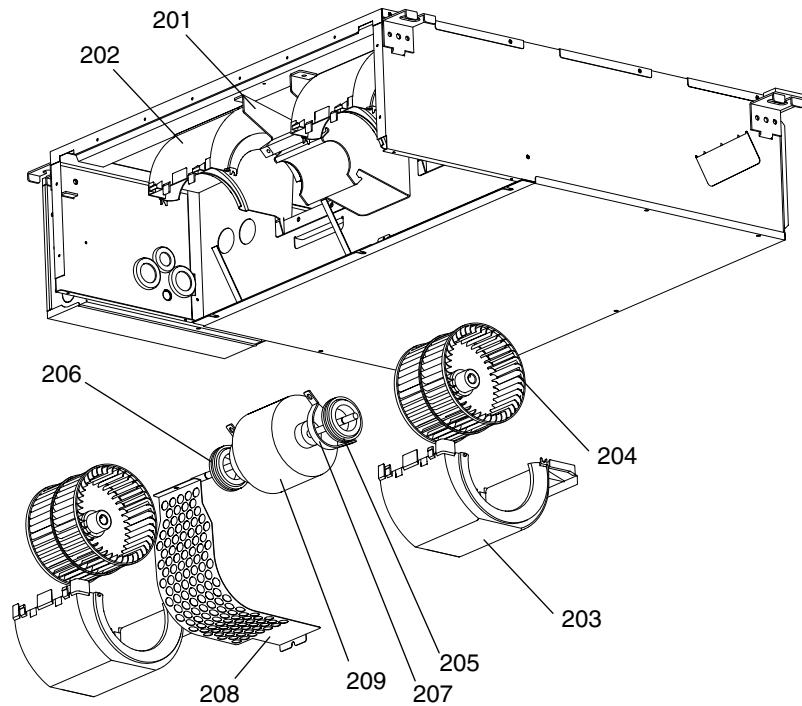
PEFY-P15,P20,P25,P32,P40,P50,P63VMS1-E.TH
 PEFY-P15,P20,P25,P32,P40,P50,P63VMS1L-E.TH
 PEFY-P15,P20,P25,P32,P40,P50,P63VMS1-E.TH-T

EXTERNAL PARTS

No.	Part No.	G : RoHS Apply Only W : RoHS Apply by Running Change		Spec.	PEFY-P40VMS1-E.TH-T	PEFY-P50VMS1-E.TH-T	PEFY-P63VMS1-E.TH-T			Dwg. No.	Price	Revision History
			Part Name									
101	E17 402 620	G	HEAT EXCHANGER							KB00A079B01		
102	E17 403 620	G	HEAT EXCHANGER							KB00A082B01		
103	E17 405 620	G	HEAT EXCHANGER							KB00A080B01		
104	E17 406 620	G	HEAT EXCHANGER		1	1				KB00A081B01		
105	E17 408 620	G	HEAT EXCHANGER				1			KB00A075B01		
106	E17 409 640	G	LINEAR EXPANSION VALVE	EFM-40YGMD-1	1	1	1			KB50B472H01		
107	E17 319 307	G	THERMISTOR		1	1	1			RG71V202G01		
108	E17 319 690	G	COVER PIPE ASSY		1	1	1			KB00H214G02		
109	E17 409 355	G	PUMP	PLD	1	1	1			KB56B515H01		
110	E17 409 145	G	FLOAT SWITCH		1	1	1			BH68C952H02		
111	E17 409 704	G	SOCKET ASSY		1	1	1			KB00G754G01		
112	E17 319 700	G	DRAIN PAN S ASSY							KB00G775G04		
113	E17 320 700	G	DRAIN PAN M ASSY		1	1				KB00G775G05		
114	E17 326 700	G	DRAIN PAN L ASSY				1			KB00G775G06		
115	E17 319 717	G	PANEL UNDER 1 S ASSY							KB00G776G01		
116	E17 320 717	G	PANEL UNDER 1 M ASSY		1	1				KB00G776G02		
117	E17 326 717	G	PANEL UNDER 1 L ASSY				1			KB00G776G03		
118	E17 319 718	G	PANEL UNDER 2 S							KB02B455G01		
119	E17 320 718	G	PANEL UNDER 2 M		1	1				KB02B457G01		
120	E17 326 718	G	PANEL UNDER 2 L				1			KB02A071G01		
121	E17 409 690	G	COVER ASSY		1	1	1			KB00H222G01		
122	E17 319 100	G	FILTER 15							KB35B272G02		
123	E17 320 100	G	FILTER 40		1	1				KB35B207G02		
124	E17 326 100	G	FILTER 63				2			KB35B208G02		
125	E17 414 524	G	PLUG	RUBBER	1	1	1			KB26H049H01		
126	E17 407 204	G	REDUCER	12.7-15.88		1				KB14H395G01		
127	E17 414 204	G	REDUCER	6.35-9.52		1				KB14H390G01		
128	E17 319 702	G	DRAIN HOSE		1	1	1			BC27R200K03		
129	E17 319 250	G	SCREW ASSY		4	4	4			KB12H389G01		

PEFY-P15,P20,P25,P32VMS1-E.TH
 PEFY-P15,P20,P25,P32VMS1L-E.TH
 PEFY-P15,P20,P25,P32VMS1-E.TH-T

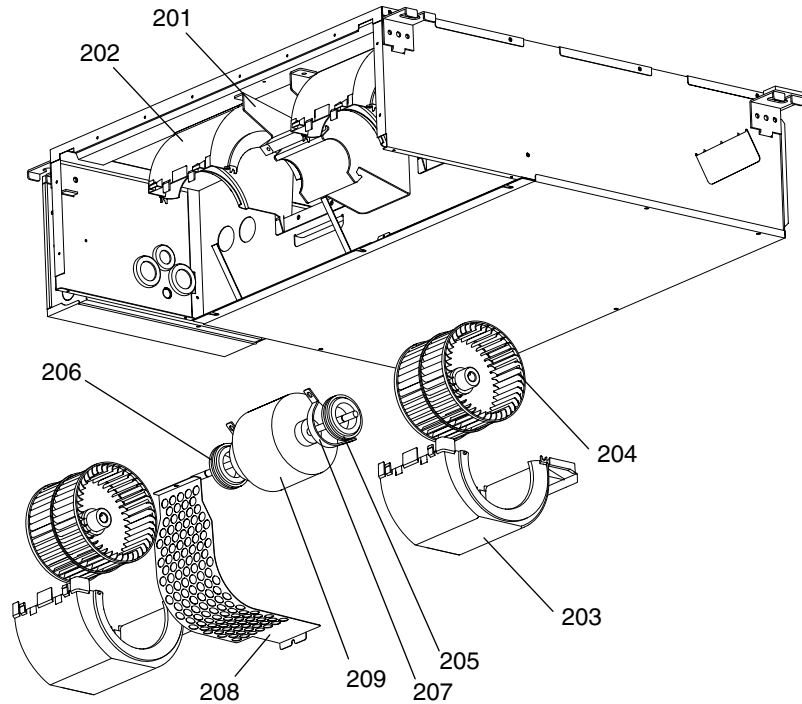
BLOWER PARTS (1)



No.	Part No.	G : RoHS Apply Only W : RoHS Apply by Running Change		Spec.	PEFY-P15/VMS1-E.TH	PEFY-P20/VMS1-E.TH	PEFY-P25/VMS1-E.TH	PEFY-P32/VMS1-E.TH	PEFY-P15/VMS1L-E.TH	PEFY-P20/VMS1L-E.TH	Dwg. No.	Price	Revision History
			Part Name										
201	E17 319 128	G	MOTOR BASE		1	1	1	1	1	1	KB02B464G01		
202	E17 319 129	G	FAN CASE A ASSY		2	2	2	2	2	2	KB00G773G03		
203	E17 320 129	G	FAN CASE B ASSY		2	2	2	2	2	2	KB00G774G03		
204	E17 319 500	G	SIROCCO FAN ASSY		2	2	2	2	2	2	KB00H341G01		
205	E17 319 505	G	RUBBER MOUNT L		1	1	1	1	1	1	KB31D833H03		
206	E17 320 505	G	RUBBER MOUNT R		1	1	1	1	1	1	KB31D833H04		
207	KB02H047G02	G	ATTACHMENT		2	2	2	2	2	2	KB02H047G02		
208	E17 319 513	G	MOTOR COVER ASSY		1	1	1	1	1	1	KB00H600G02		
209	E17 319 300	G	MOTOR		1	1	1	1	1	1	KB61B503H01		

PEFY-P15,P20,P25,P32VMS1-E.TH
 PEFY-P15,P20,P25,P32VMS1L-E.TH
 PEFY-P15,P20,P25,P32VMS1-E.TH-T

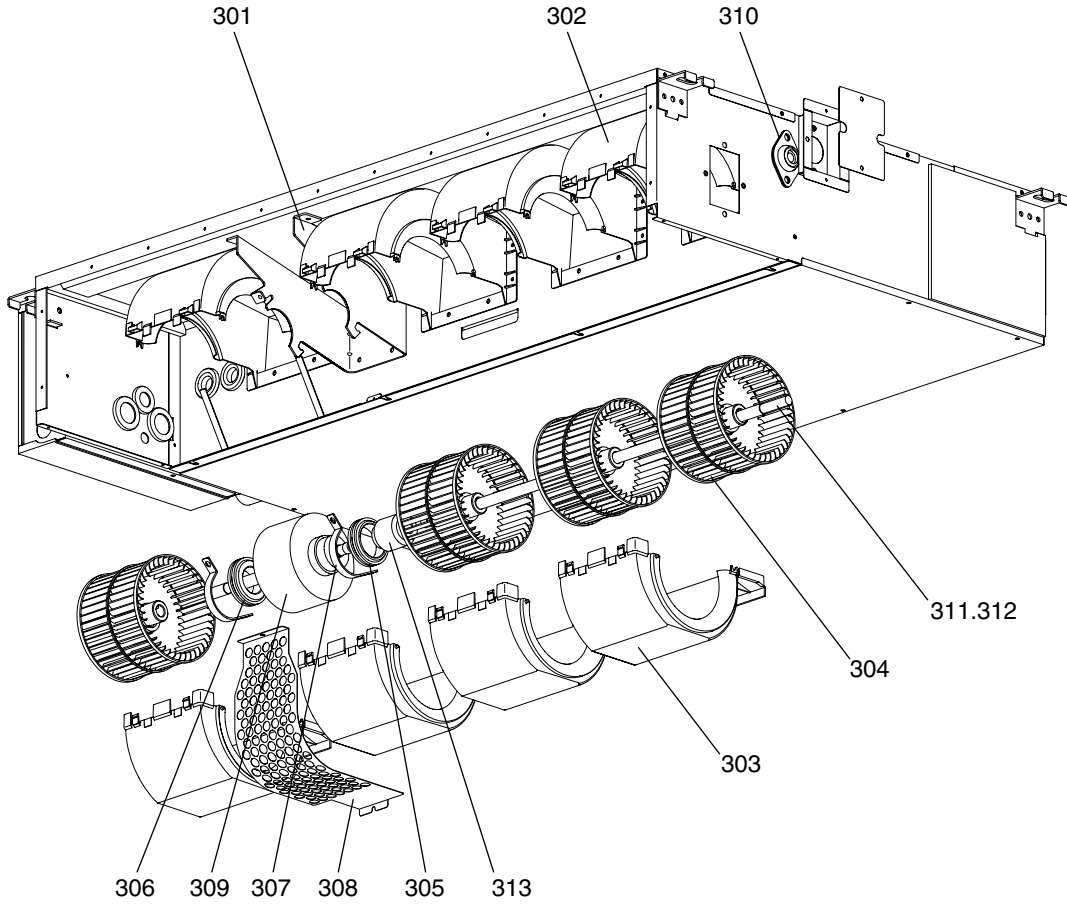
BLOWER PARTS (1)



No.	Part No.	G : RoHS Apply Only W : RoHS Apply by Running Change		Spec.	PEFY-P25/VMS1L-E.TH	PEFY-P20/VMS1L-E.TH	PEFY-P15/VMS1-E.TH-T	PEFY-P20/VMS1-E.TH-T	PEFY-P25/VMS1-E.TH-T	PEFY-P32/VMS1-E.TH-T	Dwg. No.	Price	Revision History
			Part Name										
201	E17 319 128	G	MOTOR BASE		1	1	1	1	1	1	KB02B464G01		
202	E17 319 129	G	FAN CASE A ASSY		2	2	2	2	2	2	KB00G773G03		
203	E17 320 129	G	FAN CASE B ASSY		2	2	2	2	2	2	KB00G774G03		
204	E17 319 500	G	SIROCCO FAN ASSY		2	2	2	2	2	2	KB00H341G01		
205	E17 319 505	G	RUBBER MOUNT L		1	1	1	1	1	1	KB31D833H03		
206	E17 320 505	G	RUBBER MOUNT R		1	1	1	1	1	1	KB31D833H04		
207	KB02H047G02	G	ATTACHMENT		2	2	2	2	2	2	KB02H047G02		
208	E17 319 513	G	MOTOR COVER ASSY		1	1	1	1	1	1	KB00H600G02		
209	E17 319 300	G	MOTOR		1	1	1	1	1	1	KB61B503H01		

PEFY-P40,P50,P63VMS1-E.TH
 PEFY-P40,P50,P63VMS1L-E.TH
 PEFY-P40,P50,P63VMS1-E.TH-T

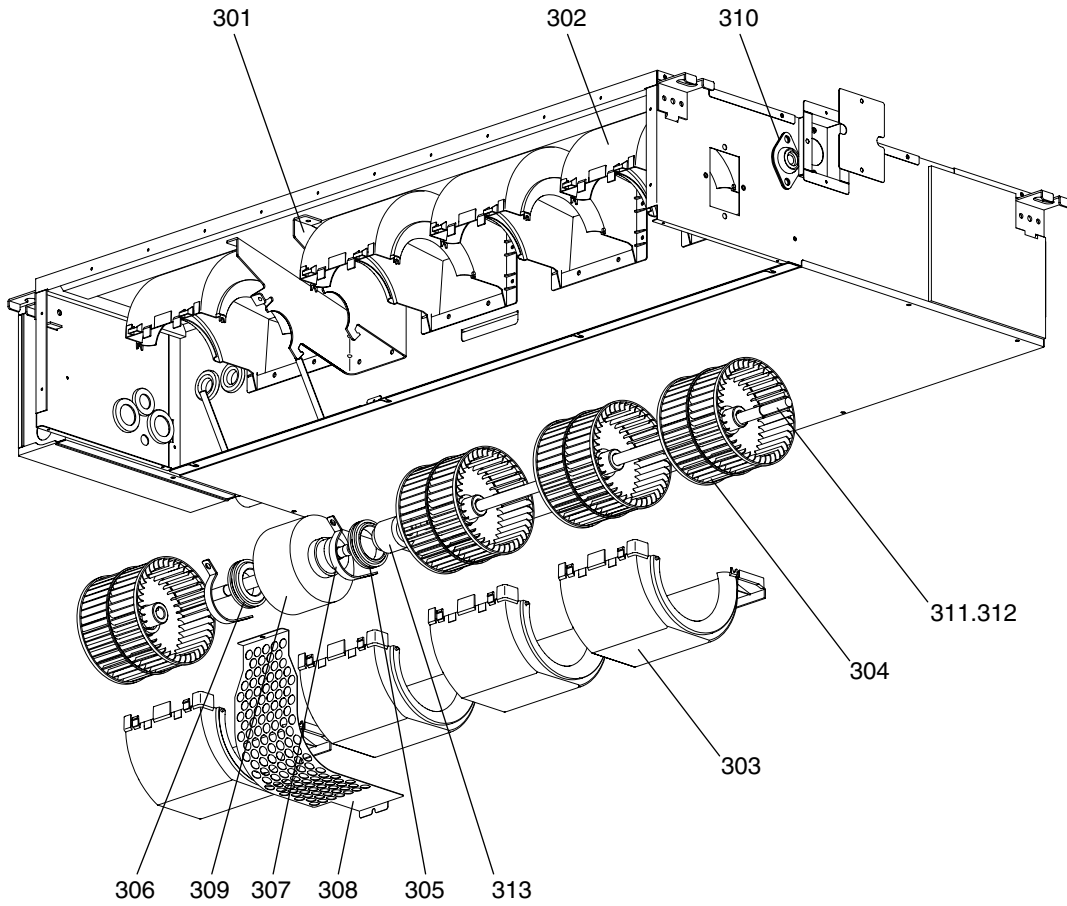
BLOWER PARTS (2)



No.	Part No.	G : RoHS Apply Only W : RoHS Apply by Running Change		Spec.	PEFY-P40/VMS1-E.TH	PEFY-P50/VMS1-E.TH	PEFY-P63/VMS1-E.TH	PEFY-P40/VMS1L-E.TH	PEFY-P50/VMS1L-E.TH	PEFY-P63/VMS1L-E.TH	Dwg. No.	Price	Revision History
			Part Name										
301	E17 319 128	G	MOTOR BASE		1	1	1	1	1	1	KB02B464G01		
302	E17 319 129	G	FAN CASE A ASSY		3	3	4	3	3	4	KB00G773G03		
303	E17 320 129	G	FAN CASE B ASSY		3	3	4	3	3	4	KB00G774G03		
304	E17 319 500	G	SIROCCO FAN ASSY		3	3	4	3	3	4	KB00H341G01		
305	E17 319 505	G	RUBBER MOUNT L		1	1	1	1	1	1	KB31D833H03		
306	E17 320 505	G	RUBBER MOUNT R		1	1	1	1	1	1	KB31D833H04		
307	KB02H047G02	G	ATTACHMENT		2	2	2	2	2	2	KB02H047G02		
308	E17 319 513	G	MOTOR COVER ASSY		1	1	1	1	1	1	KB00H600G01		
309	E17 321 300	G	MOTOR		1	1	1	1	1	1	KB61B504H01		
310	E17 321 509	G	BEARING		1	1	1	1	1	1	KB58C793G01		
311	E17 321 499	G	SHAFT 3FAN		1	1		1	1		KB10B485H02		
312	E17 326 499	G	SHAFT 4FAN				1			1	KB10B486H02		
313	E17 321 518	G	FAN JOINT ASSY		1	1	1	1	1	1	BH00G422G04		

PEFY-P40,P50,P63VMS1-E.TH
 PEFY-P40,P50,P63VMS1L-E.TH
 PEFY-P40,P50,P63VMS1-E.TH-T

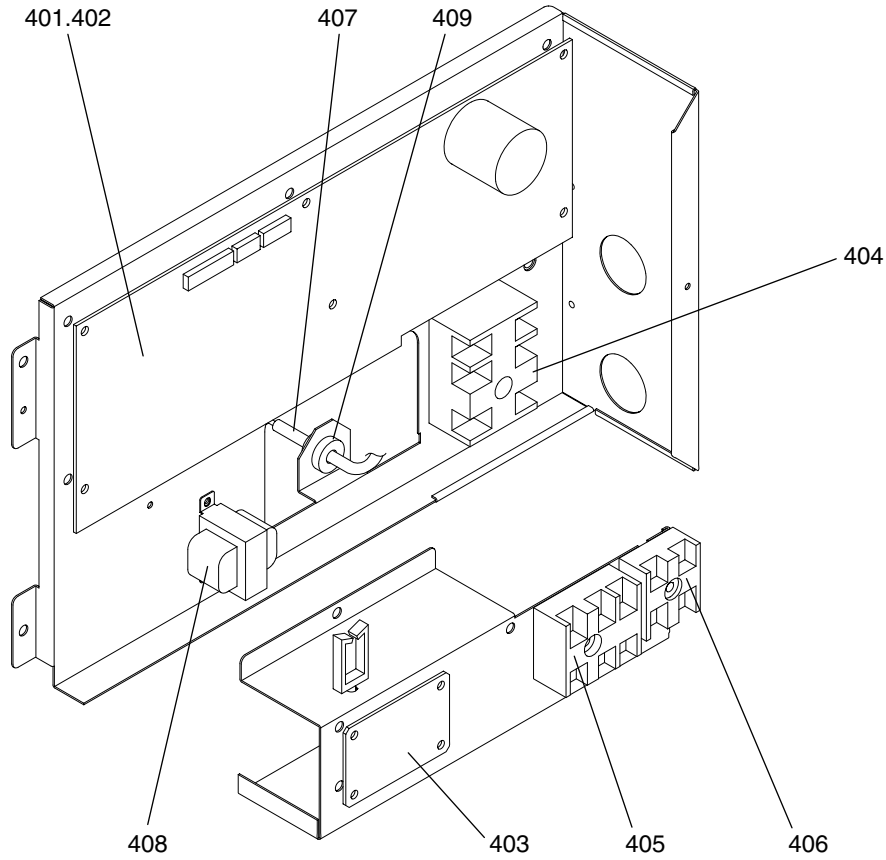
BLOWER PARTS (2)



No.	Part No.	G : RoHS Apply Only W : RoHS Apply by Running Change		Spec.	PEFY-P40/VMS1-E.TH-T	PEFY-P50/VMS1-E.TH-T	PEFY-P63/VMS1-E.TH-T			Dwg. No.	Price	Revision History
			Part Name									
301	E17 319 128	G	MOTOR BASE		1	1	1			KB02B464G01		
302	E17 319 129	G	FAN CASE A ASSY		3	3	4			KB00G773G03		
303	E17 320 129	G	FAN CASE B ASSY		3	3	4			KB00G774G03		
304	E17 319 500	G	SIROCCO FAN ASSY		3	3	4			KB00H341G01		
305	E17 319 505	G	RUBBER MOUNT L		1	1	1			KB31D833H03		
306	E17 320 505	G	RUBBER MOUNT R		1	1	1			KB31D833H04		
307	KB02H047G02	G	ATTACHMENT		2	2	2			KB02H047G02		
308	E17 319 513	G	MOTOR COVER ASSY		1	1	1			KB00H600G01		
309	E17 321 300	G	MOTOR		1	1	1			KB61B504H01		
310	E17 321 509	G	BEARING		1	1	1			KB58C793G01		
311	E17 321 499	G	SHAFT 3FAN		1	1				KB10B485H02		
312	E17 326 499	G	SHAFT 4FAN				1			KB10B486H02		
313	E17 321 518	G	FAN JOINT ASSY		1	1	1			BH00G422G04		

PEFY-P15,P20,P25,P32,P40,P50,P63VMS1-E.TH
 PEFY-P15,P20,P25,P32,P40,P50,P63VMS1L-E.TH
 PEFY-P15,P20,P25,P32,P40,P50,P63VMS1-E.TH-T

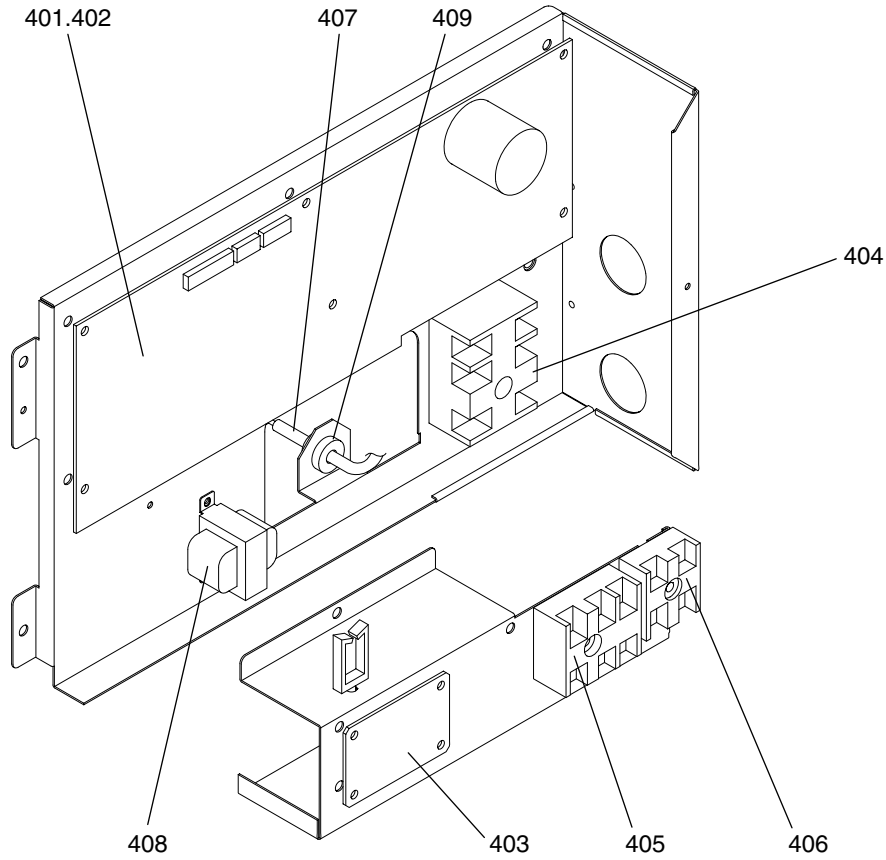
CONTROL BOX PARTS



No.	Part No.	G : RoHS Apply Only W : RoHS Apply by Running Change		Spec.	PEFY-P15/VMS1-E.TH	PEFY-P20/VMS1-E.TH	PEFY-P25/VMS1-E.TH	PEFY-P32/VMS1-E.TH	PEFY-P40/VMS1-E.TH	PEFY-P50/VMS1-E.TH	Dwg. No.	Price	Revision History
		Part Name											
401	E17 402 447	G	PRINTED CIRCUIT ASSEMBLY	INDOOR	1	1	1	1	1	1	KE01D280B01		
402	E17 403 447	G	PRINTED CIRCUIT ASSEMBLY	INDOOR							KE01D280B02		
403	E17 402 456	G	PRINTED CIRCUIT ASSEMBLY	ADDRESS BOARD	1	1	1	1	1	1	KE01D281B01		
404	E17 155 375	G	TERMINAL BLOCK ASSY		1	1	1	1	1	1	BG00R200G26		
405	E17 154 375	G	TERMINAL BLOCK ASSY		1	1	1	1	1	1	BH00C267G04		
406	E17 156 375	G	TERMINAL BLOCK ASSY		1	1	1	1	1	1	BG00R200G62		
407	E17 319 308	G	THERMISTOR S	250XAP	1	1	1	1	1	1	RG71J628H01		
408	E17 408 337	G	REACTOR	CHM							KE65D276H01		
409	E17 319 013	G	BUSH	KR-51	1	1	1	1	1	1	KP32F144H01		

PEFY-P15,P20,P25,P32,P40,P50,P63VMS1-E.TH
 PEFY-P15,P20,P25,P32,P40,P50,P63VMS1L-E.TH
 PEFY-P15,P20,P25,P32,P40,P50,P63VMS1-E.TH-T

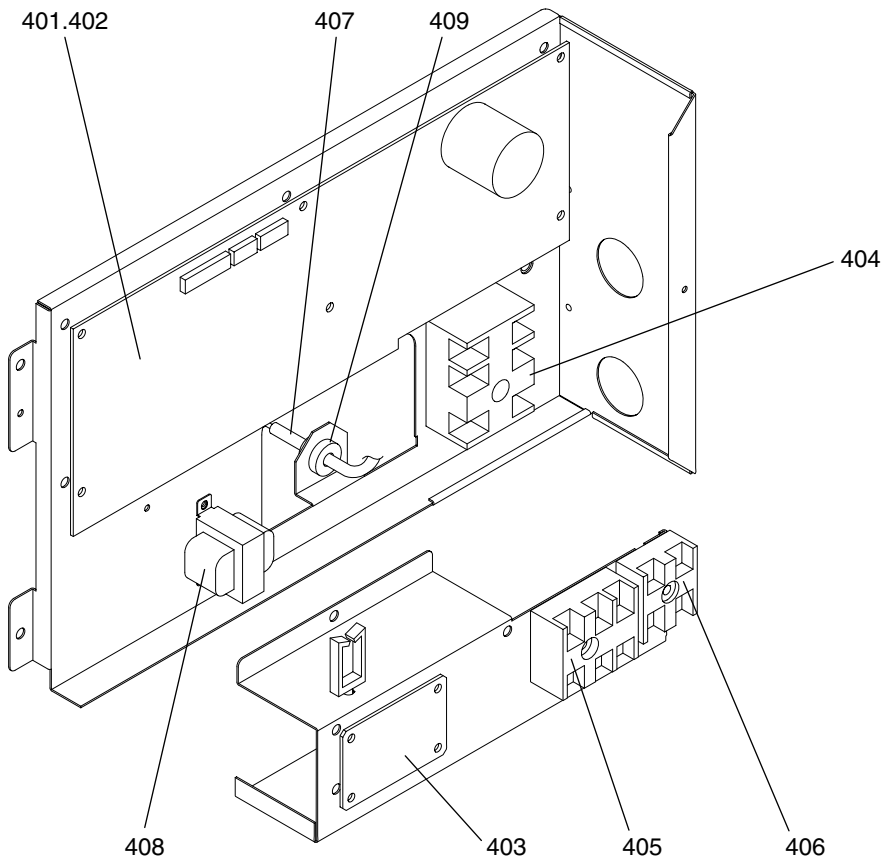
CONTROL BOX PARTS



No.	Part No.	G : RoHS Apply Only W : RoHS Apply by Running Change		Spec.	PEFY-P63VMS1-E.TH	PEFY-P15VMS1L-E.TH	PEFY-P20VMS1L-E.TH	PEFY-P25VMS1L-E.TH	PEFY-P32VMS1L-E.TH	PEFY-P40VMS1L-E.TH	Dwg. No.	Price	Revision History
		Part Name											
401	E17 402 447	G	PRINTED CIRCUIT ASSEMBLY	INDOOR	1						KE01D280B01		
402	E17 403 447	G	PRINTED CIRCUIT ASSEMBLY	INDOOR		1	1	1	1	1	KE01D280B02		
403	E17 402 456	G	PRINTED CIRCUIT ASSEMBLY	ADDRESS BOARD	1	1	1	1	1	1	KE01D281B01		
404	E17 155 375	G	TERMINAL BLOCK ASSY		1	1	1	1	1	1	BG00R200G26		
405	E17 154 375	G	TERMINAL BLOCK ASSY		1	1	1	1	1	1	BH00C267G04		
406	E17 156 375	G	TERMINAL BLOCK ASSY		1	1	1	1	1	1	BG00R200G62		
407	E17 319 308	G	THERMISTOR S	250XAP	1	1	1	1	1	1	RG71J628H01		
408	E17 408 337	G	REACTOR	CHM	1						KE65D276H01		
409	E17 319 013	G	BUSH	KR-51	1	1	1	1	1	1	KP32F144H01		

PEFY-P15,P20,P25,P32,P40,P50,P63VMS1-E.TH
 PEFY-P15,P20,P25,P32,P40,P50,P63VMS1L-E.TH
 PEFY-P15,P20,P25,P32,P40,P50,P63VMS1-E.TH-T

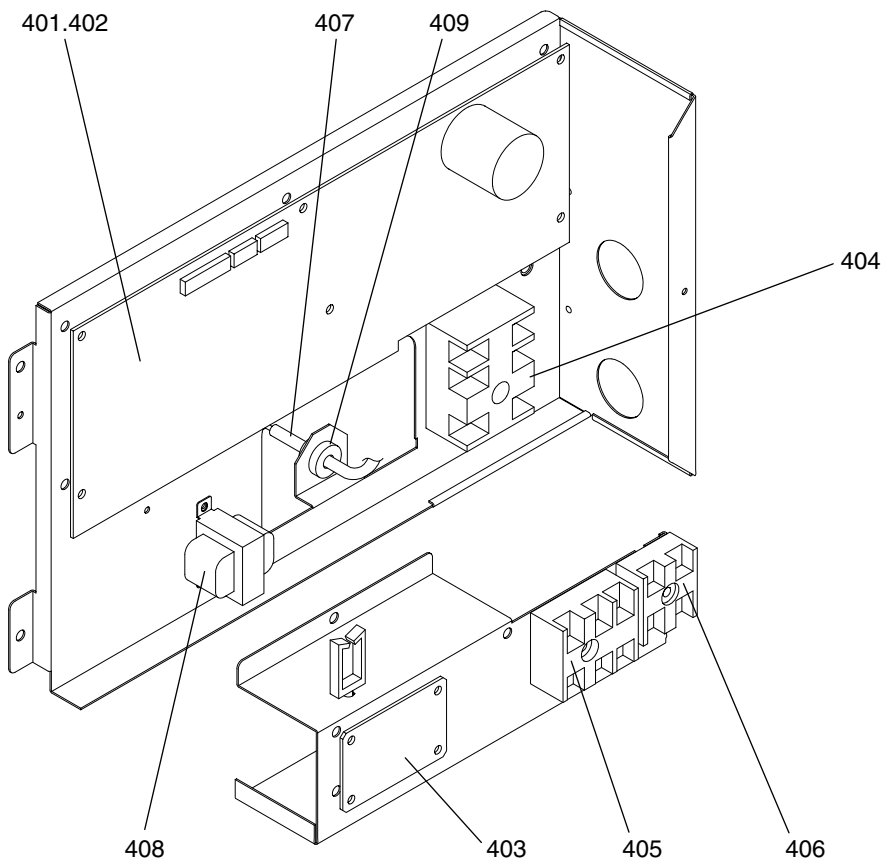
CONTROL BOX PARTS



No.	Part No.	G : RoHS Apply Only W : RoHS Apply by Running Change		Spec.	PEFY-P63VMS1L-E.TH	PEFY-P63VMS1L-E.TH	PEFY-P15VMS1-E.TH-T	PEFY-P20VMS1-E.TH-T	PEFY-P25VMS1-E.TH-T	PEFY-P32VMS1-E.TH-T	Dwg. No.	Price	Revision History
			Part Name										
401	E17 402 447	G	PRINTED CIRCUIT ASSEMBLY	INDOOR			1	1	1	1	KE01D280B01		
402	E17 403 447	G	PRINTED CIRCUIT ASSEMBLY	INDOOR	1	1					KE01D280B02		
403	E17 402 456	G	PRINTED CIRCUIT ASSEMBLY	ADRESS BOARD	1	1	1	1	1	1	KE01D281B01		
404	E17 155 375	G	TERMINAL BLOCK ASSY		1	1	1	1	1	1	BG00R200G26		
405	E17 154 375	G	TERMINAL BLOCK ASSY		1	1	1	1	1	1	BH00C267G04		
406	E17 156 375	G	TERMINAL BLOCK ASSY		1	1	1	1	1	1	BG00R200G62		
407	E17 319 308	G	THERMISTOR S	250XAP	1	1	1	1	1	1	RG71J628H01		
408	E17 408 337	G	REACTOR	CHM		1					KE65D276H01		
409	E17 319 013	G	BUSH	KR-51	1	1	1	1	1	1	KP32F144H01		

PEFY-P15,P20,P25,P32,P40,P50,P63VMS1-E.TH
 PEFY-P15,P20,P25,P32,P40,P50,P63VMS1L-E.TH
 PEFY-P15,P20,P25,P32,P40,P50,P63VMS1-E.TH-T

CONTROL BOX PARTS



No.	Part No.	G : RoHS Apply Only W : RoHS Apply by Running Change		Spec.	PEFY-P40/VMS1-E.TH-T	PEFY-P50/VMS1-E.TH-T	PEFY-P63/VMS1-E.TH-T			Dwg. No.	Price	Revision History
			Part Name									
401	E17 402 447	G	PRINTED CIRCUIT ASSEMBLY	INDOOR	1	1	1			KE01D280B01		
402	E17 403 447	G	PRINTED CIRCUIT ASSEMBLY	INDOOR						KE01D280B02		
403	E17 402 456	G	PRINTED CIRCUIT ASSEMBLY	ADDRESS BOARD	1	1	1			KE01D281B01		
404	E17 155 375	G	TERMINAL BLOCK ASSY		1	1	1			BG00R200G26		
405	E17 154 375	G	TERMINAL BLOCK ASSY		1	1	1			BH00C267G04		
406	E17 156 375	G	TERMINAL BLOCK ASSY		1	1	1			BG00R200G62		
407	E17 319 308	G	THERMISTOR S	250XAP	1	1	1			RG71J628H01		
408	E17 408 337	G	REACTOR	CHM			1			KE65D276H01		
409	E17 319 013	G	BUSH	KR-51	1	1	1			KP32F144H01		

