

# **SERVICE PARTS LIST FOR MITSUBISHI ELECTRIC PACKAGED AIR-CONDITIONERS**

**Series PFFY-P.VLEM-E  
PFFY-P.VLRM-E**

**Apr. 2004**

## **INDEX**

**PFFY-P20,P25,P32VLEM-E**

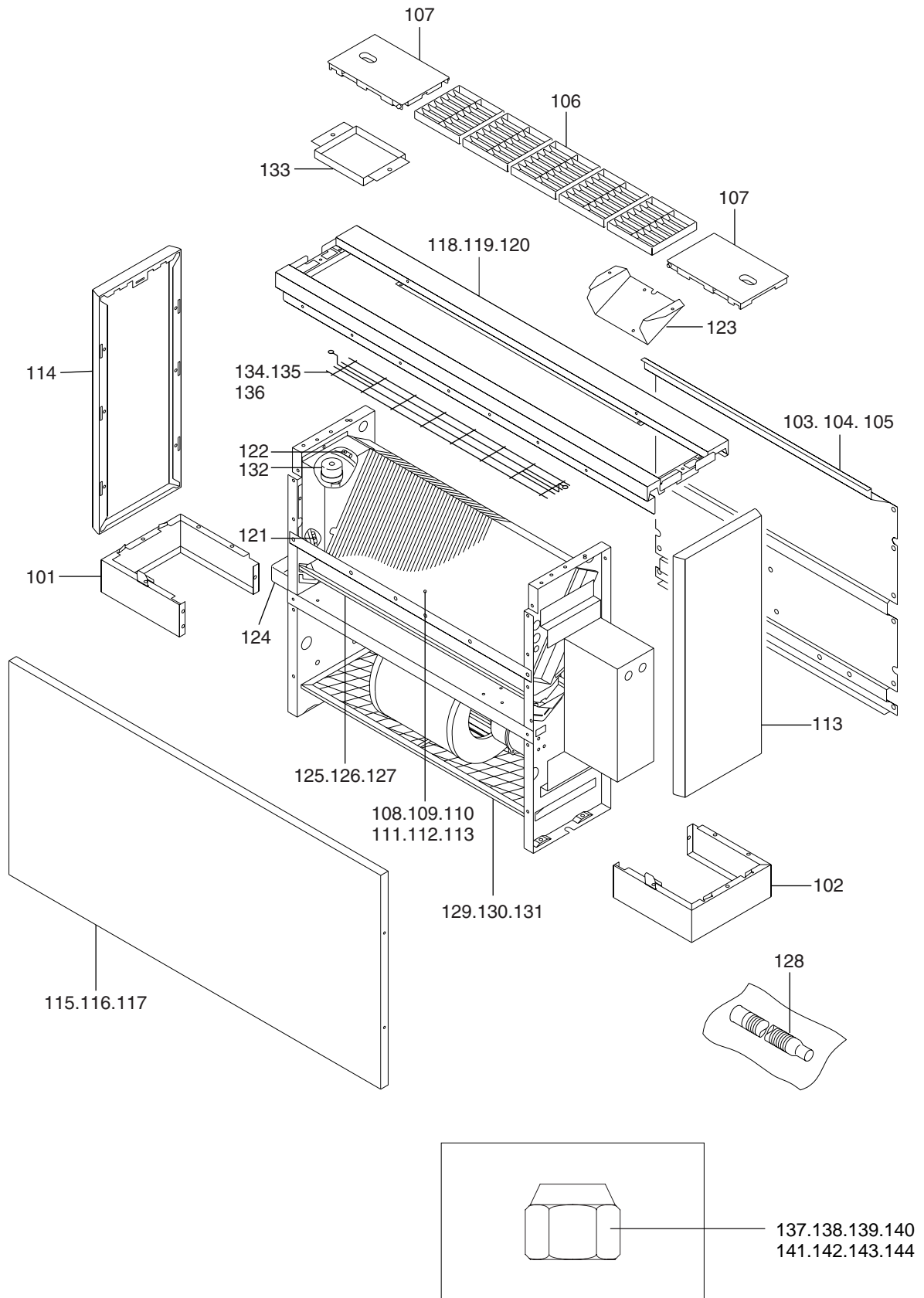
**PFFY-P40,P50,P63VLEM-E**

**PFFY-P20,P25,P32VLRM-E**

**PFFY-P40,P50,P63VLRM-E**

PFFY-P20,P25,P32VLEM-E  
PFFY-P40,P50,P63VLEM-E

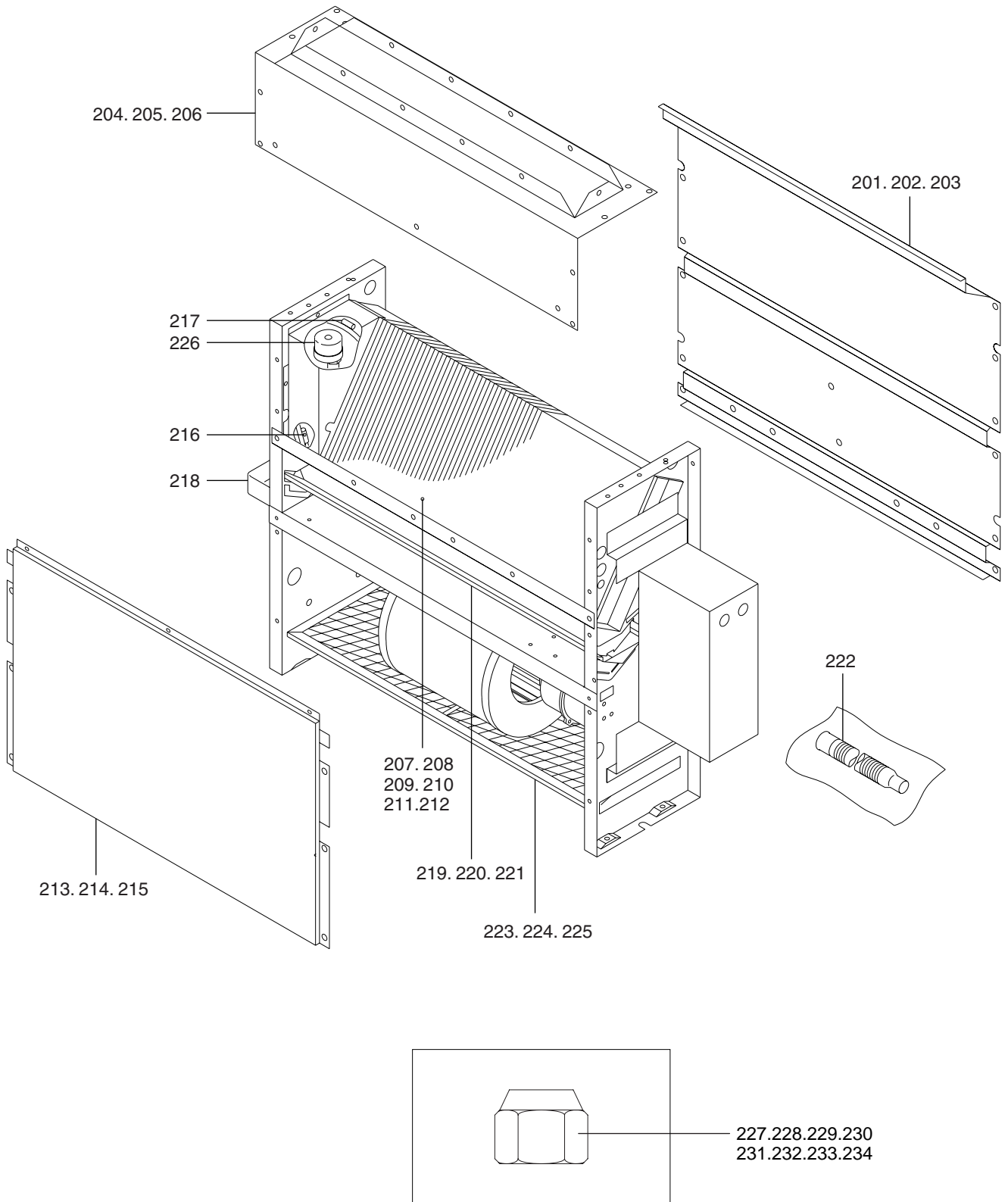
### EXTERNAL PARTS



No.	Part No.	Part Name	Spec.	-P20VLEM-E	-P25VLEM-E	-P32VLEM-E	-P40VLEM-E	-P50VLEM-E	-P63VLEM-E	Dwg. No.	Price
101	R61 370 001	Decorative plate ass'y		1	1	1	1	1	1	W242240H03	
102	R61 371 001	Decorative plate ass'y		1	1	1	1	1	1	W242240H04	
103	R40 722 035	Rear panel		1	1					W235706H24	
104	R40 723 035	Rear panel				1	1			W235706H25	
105	R40 724 035	Rear panel						1	1	W235706H26	
106	R40 025 501	Outlet grill		5	5	6	6	8	8	W235590H01	
107	R40 025 079	Control lid ass'y		2	2	2	2	2	2	W356687G01	
108	R61 Y77 481	Heat exchanger ass'y		1						W264350G38	
109	R61 S32 480	Heat exchanger ass'y			1					W264350G28	
110	R61 S33 480	Heat exchanger ass'y				1				W264350G29	
111	R61 S34 480	Heat exchanger ass'y					1			W264350G30	
112	R61 S35 480	Heat exchanger ass'y						1		W264350G31	
113	R61 S36 480	Heat exchanger ass'y							1	W264350G32	
114	R61 Y17 111	Casing S		2	2	2	2	2	2	W264366G02	
115	R61 Y18 111	Casing ass'y F		1	1					W390777G10	
116	R61 Y19 111	Casing ass'y F				1	1			W390777G11	
117	R61 Y20 111	Casing ass'y F						1	1	W390777G12	
118	R61 Y21 111	Casing ass'y U		1	1					W248559G13	
119	R61 Y22 111	Casing ass'y U				1	1			W248559G14	
120	R61 Y23 111	Casing ass'y U						1	1	W248559G15	
121	R61 367 202	Thermistor (gas)	<TH23>	1	1	1	1	1	1	P425453X01	
122	R61 367 203	Thermistor (liquid)	<TH22>	1	1	1	1	1	1	P425454X01	
123	R61 Y09 049	Switch panel ass'y		1	1	1	1	1	1	W615607G07	
124	R40 025 051	Drain pan 2		1	1	1	1	1	1	W356666H01	
125	R61 Y16 529	Drain pan ass'y 1		1	1					W356664G24	
126	R61 Y17 529	Drain pan ass'y 1				1	1			W356664G25	
127	R61 Y18 529	Drain pan ass'y 1						1	1	W356664G26	
128	R40 025 049	Drain hose		1	1	1	1	1	1	W356677H01	
129	R40 169 510	Filter		1	1					W235592G03	
130	R40 240 510	Filter				1	1			W235592G04	
131	R40 340 510	Filter						1	1	W235592G05	
132	R61 S32 401	Linear expansion valve	<LEV> EDM4 SM	1	1	1	1	1	1	P632408X01	
133	R61 Y07 049	Switch panel		1	1	1	1	1	1	W631056H01	
134	R61 Y01 611	Fin guard		1	1					W622564G04	
135	R61 Y02 611	Fin guard				1	1			W622564G05	
136	R61 Y03 611	Fin guard						1	1	W622564G06	
137	R61 S32 122	Flare nut	<R22,R407C>	1	1	1	1			W843438H01	
138	R61 M04 134	Flare nut	<R22,R407C,R410A>	1	1	1	1			W457611H01	
139	R61 S35 122	Flare nut	<R22,R407C>					1	1	W843439H01	
140	R61 S36 122	Flare nut	<R22,R407C>					1	1	W843440H01	
141	R61 S34 122	Flare nut	<R410A>	1	1	1	1			W905525H01	
142	R61 S35 134	Flare nut	<R410A>					1		W905521H01	
143	R61 S37 134	Flare nut	<R410A>					1		W905520H01	
144	R61 S36 134	Flare nut	<R410A>						1	W905524H01	

PFFY-P20,P25,P32VLRM-E  
PFFY-P40,P50,P63VLRM-E

### EXTERNAL PARTS

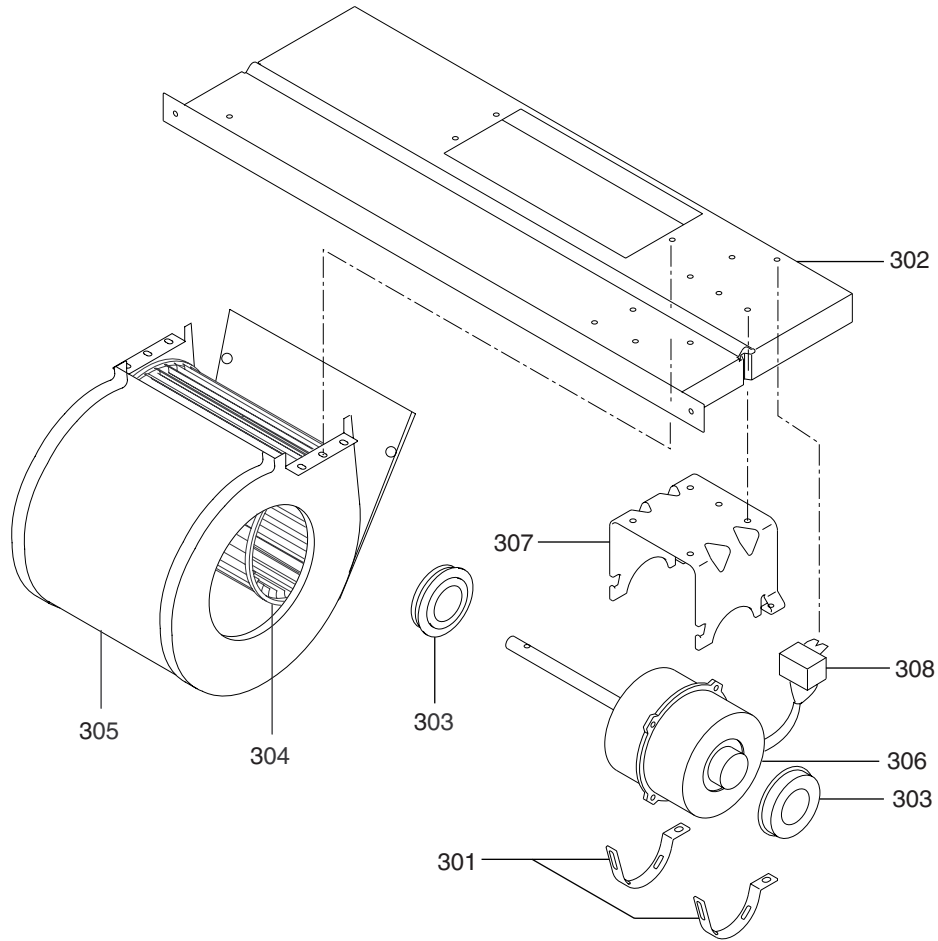


EXTERNAL PARTS

No.	Part No.	Part Name	Spec.	-P20VLRM-E	-P25VLRM-E	-P32VLRM-E	-P40VLRM-E	-P50VLRM-E	-P63VLRM-E	Dwg. No.	Price
201	R40 722 035	Rear panel		1	1					W235706H24	
202	R40 723 035	Rear panel				1	1			W235706H25	
203	R40 724 035	Rear panel						1	1	W235706H26	
204	R61 Y01 071	Outlet grill		1	1					W358804G08	
205	R61 Y02 071	Outlet grill				1	1			W358804G09	
206	R61 Y03 071	Outlet grill						1	1	W358804G10	
207	R61 S84 480	Heat exchanger ass'y		1						W264350G38	
208	R61 S32 480	Heat exchanger ass'y			1					W264350G28	
209	R61 S33 480	Heat exchanger ass'y				1				W264350G29	
210	R61 S34 480	Heat exchanger ass'y					1			W264350G30	
211	R61 S35 480	Heat exchanger ass'y						1		W264350G31	
212	R61 S36 480	Heat exchanger ass'y							1	W264350G32	
213	R61 Y07 111	Casing ass'y FD		1	1					W358806G08	
214	R61 Y08 111	Casing ass'y FD				1	1			W358806G09	
215	R61 Y09 111	Casing ass'y FD						1	1	W358806G10	
216	R61 367 202	Thermistor (gas)	<TH23>	1	1	1	1	1	1	P425453X01	
217	R61 367 203	Thermistor (liquid)	<TH22>	1	1	1	1	1	1	P425454X01	
218	R40 025 051	Drain pan 2		1	1	1	1	1	1	W356666H01	
219	R61 Y16 529	Drain pan ass'y 1		1	1					W356664G24	
220	R61 Y17 529	Drain pan ass'y 1				1	1			W356664G25	
221	R61 Y18 529	Drain pan ass'y 1						1	1	W356664G26	
222	R40 025 049	Drain hose		1	1	1	1	1	1	W356677H01	
223	R40 169 510	Filter		1	1					W235592G03	
224	R40 240 510	Filter				1	1			W235592G04	
225	R40 340 510	Filter						1	1	W235592G05	
226	R61 S32 401	Linear expansion valve	<LEV>EDM4 SM	1	1	1	1	1	1	P632408X01	
227	R61 S32 122	Flare nut	<R22,R407C>	1	1	1	1			W843438H01	
228	R61 M04 134	Flare nut	<R22,R407C,R410A>	1	1	1	1			W457611H01	
229	R61 S35 122	Flare nut	<R22,R407C>					1	1	W843439H01	
230	R61 S36 122	Flare nut	<R22,R407C>					1	1	W843440H01	
231	R61 S34 122	Flare nut	<R410A>	1	1	1	1			W905525H01	
232	R61 S35 134	Flare nut	<R410A>					1		W905521H01	
233	R61 S37 134	Flare nut	<R410A>					1		W905520H01	
234	R61 S36 134	Flare nut	<R410A>						1	W905524H01	

PFFY-P20,P25VLEM-E  
PFFY-P20,P25VLRM-E

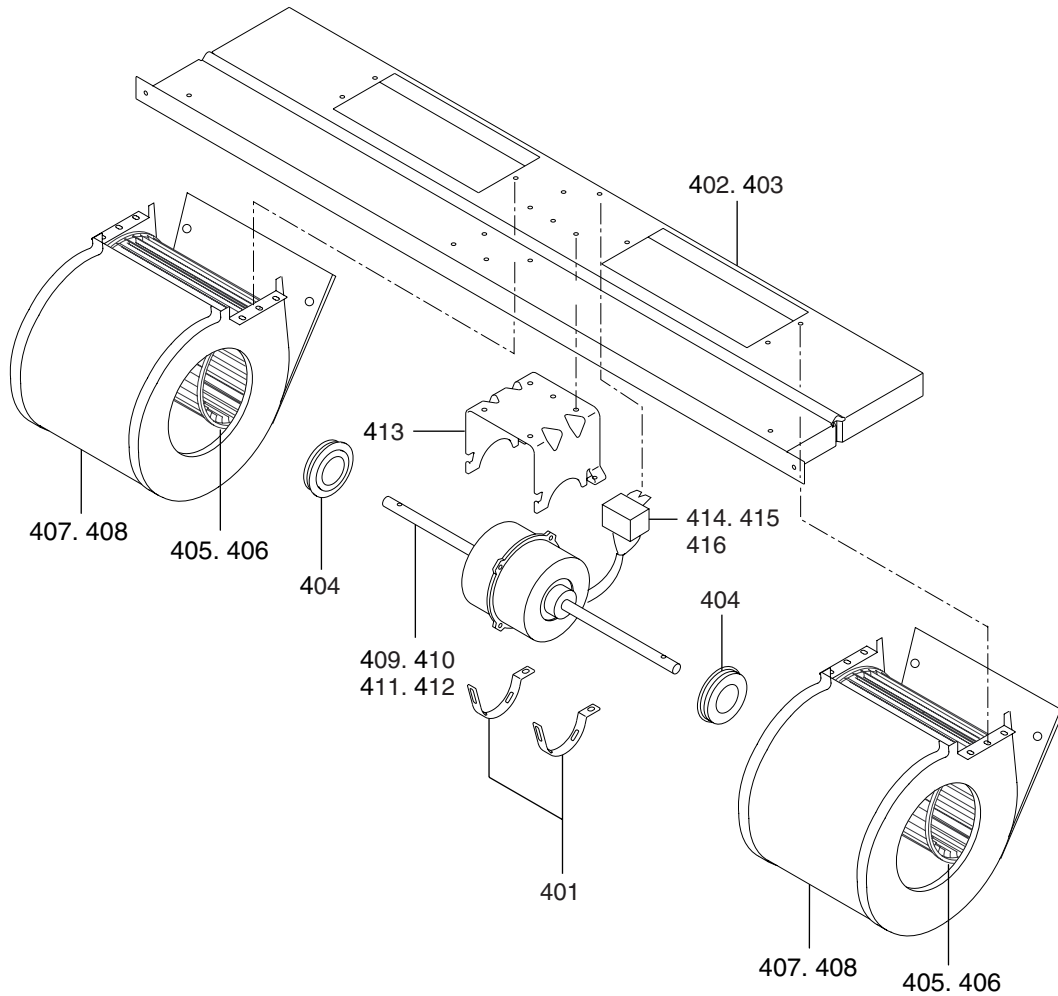
BLOWER PARTS



No.	Part No.	Part Name	Spec.	-P20VLEM-E	-P25VLEM-E	-P20VLRM-E	-P25VLRM-E	Dwg. No.	Price
301	R61 652 131	Fixing plate		2	2	2	2	W353715H01	
302	R61 Y01 140	Fan stand		1	1	1	1	W618676G02	
303	R61 766 104	Rubber bush		2	2	2	2	W491760H02	
304	R40 045 103	Sirocco fan ass'y		1	1	1	1	W234904G01	
305	R61 839 675	Fan cover		1	1	1	1	W234951G01	
306	R61 Y92 220	Motor (15W,4P)	<MF>15W,1Phase,220V	1	1	1	1	P714581X01	
307	R61 370 130	Motor support		1	1	1	1	W234925H06	
308	R61 Y14 252	Condenser (1.5μF)		1	1	1	1	P412234X01	

PFFY-P32,P40,P50,P63VLEM-E  
PFFY-P32,P40,P50,P63VLRM-E

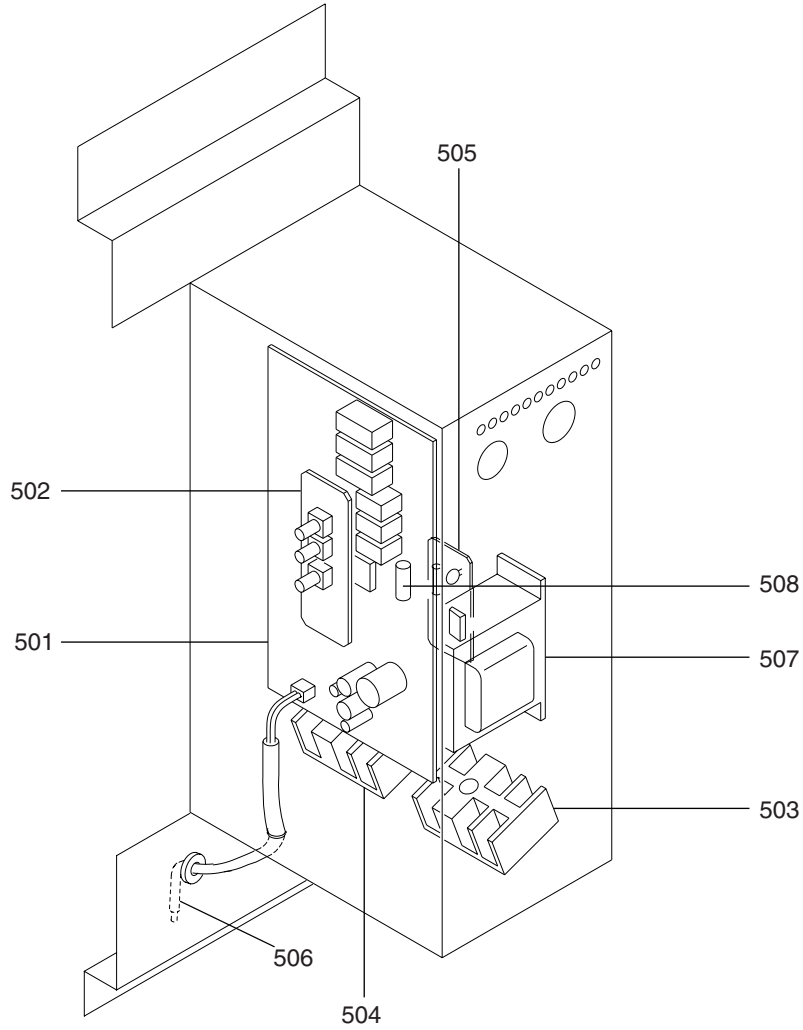
BLOWER PARTS



No.	Part No.	Part Name	Spec.	-P32VLEM-E	-P40VLEM-E	-P50VLEM-E	-P63VLEM-E	-P32VLRM-E	-P40VLRM-E	-P50VLRM-E	-P63VLRM-E	Dwg. No.	Price
401	R61 652 131	Fixing plate		2	2	2	2	2	2	2	2	W353715H01	
402	R61 Y02 140	Fan stand		1	1			1	1			W258828G03	
403	R61 Y03 140	Fan stand				1	1			1	1	W258828G04	
404	R61 766 104	Rubber bush		2	2	2	2	2	2	2	2	W491760H02	
405	R40 025 101	Sirocco fan ass'y		2	2			2	2			W234945G03	
406	R40 045 103	Sirocco fan ass'y				2	2			2	2	W234904G01	
407	R61 840 675	Fan cover		2	2			2	2			W234951G02	
408	R61 839 675	Fan cover				2	2			2	2	W234951G01	
409	R61 Y93 220	Motor (18W,4P)	<MF>18W,1Phase,220V	1				1				P714582X01	
410	R61 Y94 220	Motor (30W,4P)	<MF>30W,1Phase,220V		1				1			P714583X01	
411	R61 Y96 220	Motor (35W,4P)	<MF>35W,1Phase,220V			1				1		P714631X01	
412	R61 Y95 220	Motor (50W,4P)	<MF>50W,1Phase,220V				1				1	P714584X01	
413	R61 370 130	Motor support		1	1	1		1	1	1		W234925H06	
414	R61 Y14 252	Condenser (1.5μF)	<C>	1	1			1	1			P412234X01	
415	R61 Y15 252	Condenser (2.0μF)	<C>			1				1		P412235X01	
416	R61 F78 252	Condenser (2.5μF)	<C>				1				1	P412213X01	

PFFY-P20,P25,P32VLEM-E  
PFFY-P40,P50,P63VLEM-E  
PFFY-P20,P25,P32VLRM-E  
PFFY-P40,P50,P63VLRM-E

### CONTROL BOX PARTS



No.	Part No.	Part Name	Spec.	-P20VLEM-E	-P25VLEM-E	-P32VLEM-E	-P40VLEM-E	-P50VLEM-E	-P63VLEM-E	-P20VLRM-E	-P25VLRM-E	-P32VLRM-E	-P40VLRM-E	-P50VLRM-E	-P63VLRM-E	Dwg. No.	Price
				1	1	1	1	1	1	1	1	1	1	1	1		
501	R61 Y36 281	Controller board (RY)	<I.B>	1	1	1	1	1	1	1	1	1	1	1	1	W849072G06	
502	R61 Y37 281	Address board (AD)	<A.B>	1	1	1	1	1	1	1	1	1	1	1	1	W849036G09	
503	R61 Y08 715	Terminal bed	<TB2>	1	1	1	1	1	1	1	1	1	1	1	1	P436157X01	
504	R61 336 246	Terminal bed	<TB5>,<TB15>	1	1	1	1	1	1	1	1	1	1	1	1	P436114X03	
505	R61 Y22 280	DSA board (FP-DSA)	<S.B>	1	1	1	1	1	1	1	1	1	1	1	1	W848419G01	
506	R61 373 202	Sensor processing (inlet)	<TH21>	1	1	1	1	1	1	1	1	1	1	1	1	P425455X01	
507	R61 Y08 260	Transformer	<T> 240V/23.5V	1	1	1	1	1	1	1	1	1	1	1	1	P715342X01	
508	R61 Y02 241	Fuse	<F> 250V 6.3A	1	1	1	1	1	1	1	1	1	1	1	1	S423001H14	



