



CITY MULTI

Air-Conditioners For Building Application INDOOR UNIT

PKFY-P.VBM-E

For use with the R410A, R407C & R22 Για χρήση με τα R410A, R407C και R22
Bei Verwendung von R410A, R407C & R22 Para utilização com o R410A, R407C e o R22
A utiliser avec le R410A, R407C et le R22 R410A, R407C ve R22 ile beraber kullanmak için
Bij gebruik van R410A, R407C & R22 Для использования с моделями R410A, R407C и R22
Para utilizar con el R410A, R407C y el R22 使用R410A, R407C和R22制冷剂
Uso del refrigerante R410A, R407C e R22

INSTALLATION MANUAL

FOR INSTALLER

For safe and correct use, please read this installation manual thoroughly before installing the air-conditioner unit.

English

INSTALLATIONSHANDBUCH

FÜR INSTALLATEURE

Zum sicheren und ordnungsgemäßen Gebrauch der Klimaanlage das Installationshandbuch gründlich durchlesen.

Deutsch

MANUEL D'INSTALLATION

POUR L'INSTALLATEUR

Veuillez lire le manuel d'installation en entier avant d'installer ce climatiseur pour éviter tout accident et vous assurer d'une utilisation correcte.

Français

INSTALLATIEHANDLEIDING

VOOR DE INSTALLATEUR

Voor een veilig en juist gebruik moet u deze installatiehandleiding grondig doorlezen voordat u de airconditioner installeert.

Nederlands

MANUAL DE INSTALACIÓN

PARA EL INSTALADOR

Para un uso seguro y correcto, lea detalladamente este manual de instalación antes de montar la unidad de aire acondicionado.

Español

MANUALE DI INSTALLAZIONE

PER L'INSTALLATORE

Per un uso sicuro e corretto, leggere attentamente questo manuale di installazione prima di installare il condizionatore d'aria.

Italiano

ΕΓΧΕΙΡΙΔΙΟ ΟΔΗΓΙΩΝ ΕΓΚΑΤΑΣΤΑΣΗΣ

ΓΙΑ ΑΥΤΟΝ ΠΟΥ ΚΑΝΕΙ ΤΗΝ ΕΓΚΑΤΑΣΤΑΣΗ

Για ασφάλεια και σωστή χρήση, παρακαλείστε διαβάσετε προσεκτικά αυτό το εγχειρίδιο εγκατάστασης πριν αρχίσετε την εγκατάσταση της μονάδας κλιματισμού.

Ελληνικά

MANUAL DE INSTALAÇÃO

PARA O INSTALADOR

Para segurança e utilização correctas, leia atentamente este manual de instalação antes de instalar a unidade de ar condicionado.

Português

MONTAJ ELKİTABI

MONTÖR İÇİN

Emniyetli ve doğru biçimde nasıl kullanılacağını öğrenmek için lütfen klima cihazını monte etmeden önce bu elkitabını dikkatle okuyunuz.

Türkçe

РУКОВОДСТВО ПО УСТАНОВКЕ

ДЛЯ УСТАНОВИТЕЛЯ

Для осторожного и правильного использования прибора необходимо тщательно ознакомиться с данным руководством по установке до выполнения установки кондиционера.

Русский

安装说明书

安装人员适用

在安装空调机之前，请先通读此安装说明书，以便安全正确地使用。

中文

Contents

1. Safety precautions.....	2	4. Refrigerant pipe and drain pipe.....	4
2. Installation location.....	2	5. Electrical work.....	6
3. Installing the indoor unit.....	3	6. Test run.....	7

1. Safety precautions

- ▶ Before installing the unit, make sure you read all the "Safety precautions".
- ▶ Please report to your supply authority or obtain their consent before connecting this equipment to the power supply system.

⚠ Warning:
Describes precautions that must be observed to prevent danger of injury or death to the user.

⚠ Caution:
Describes precautions that must be observed to prevent damage to the unit.

After installation work has been completed, explain the "Safety Precautions," use, and maintenance of the unit to the customer according to the information in the Operation Manual and perform the test run to ensure normal operation. Both the Installation Manual and Operation Manual must be given to the user for keeping. These manuals must be passed on to subsequent users.

- ⚠ Warning:**
- Ask the dealer or an authorized technician to install the air conditioner.
 - Install the unit at a place that can withstand its weight.
 - Use the specified cables for wiring.
 - Use only accessories authorized by Mitsubishi Electric and ask the dealer or an authorized technician to install them.
 - Do not touch the heat exchanger fins.
 - Install the air conditioner according to this Installation Manual.

- ⚠ Caution:**
- Do not use the existing refrigerant piping, when use R410A or R407C refrigerant.
 - Use ester oil, either oil or alkylbenzene (small amount) as the refrigerator oil to coat flares and flange connections, when use R410A or R407C refrigerant.
 - Do not use the air conditioner where food, pets, plants, precision instruments, or artwork are kept.
 - Do not use the air conditioner in special environments.

- ⊘ : Indicates an action that must be avoided.
- ⚠ : Indicates an important instructions that must be followed.
- ⚡ : Indicates a part which must be grounded.
- ⚠ : Indicates that caution should be taken with rotating parts.
- ⚠ : Indicates that the main switch must be turned off before servicing.
- ⚠ : Beware of electric shock.
- ⚠ : Beware of hot surface.
- ⚠ ELV : At servicing, please shut down the power supply for both the Indoor and Outdoor Unit.

⚠ Warning:
Carefully read the labels affixed to the main unit.

- Have all electric work done by a licensed electrician according to local regulations.
- If the air conditioner is installed in a small room, measures must be taken to prevent the refrigerant concentration from exceeding the safety limit even if the refrigerant should leak.
- The cut face punched parts may cause injury by cut, etc. The installers are requested to wear protective equipment such as gloves, etc.

- Ground the unit.
- Install an leak circuit breaker, as required.
- Use power line cables of sufficient current carrying capacity and rating.
- Use only a circuit breaker and fuse of the specified capacity.
- Do not touch the switches with wet fingers.
- Do not touch the refrigerant pipes during and immediately after operation.
- Do not operate the air conditioner with the panels and guards removed.
- Do not turn off the power immediately after stopping operation.

2. Installation location

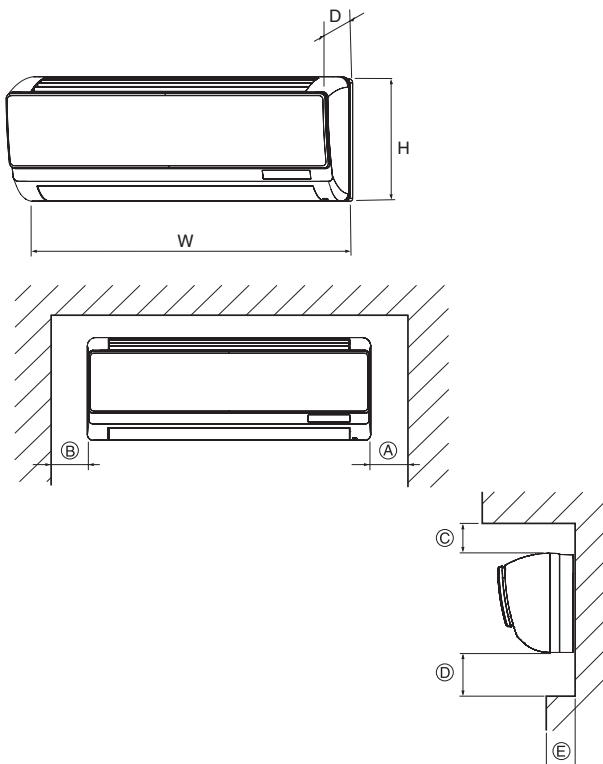
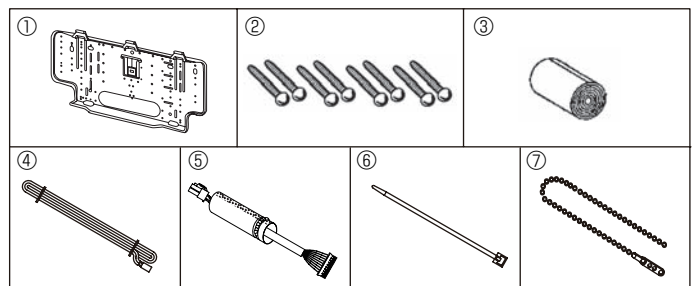


Fig. 2-1

The indoor unit comes with the following parts and accessories:

PART NUMBER	ACCESSORY	QUANTITY	LOCATION OF SETTING
①	Wall-fixing bracket	1	Fix at the back of the unit
②	Tapping screw 4 × 35	8	Set in packing material
③	Felt tape	1	
④	MA remote controller cable	1	
⑤	Cable	1	
⑥	Band	1	
⑦	Fastener	1	



2.1. Outline dimensions (Indoor unit) (Fig. 2-1)

Select a proper position allowing the following clearances for installation and maintenance.

Models	W	D	H	A	B	C*1	D	E
PKFY-P-VBM	815	225	295	Min. 20	Min. 22	Min. 50	Min. 100	Max. 90

*1 : 60mm or more for left and left back piping.

⚠ Warning:
Mount the indoor unit on a wall strong enough to withstand the weight of the unit.

3. Installing the indoor unit

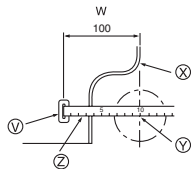
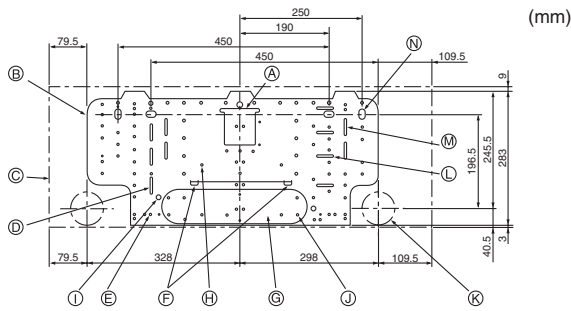


Fig. 3-1

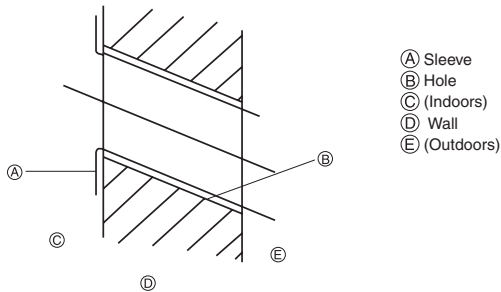


Fig. 3-2

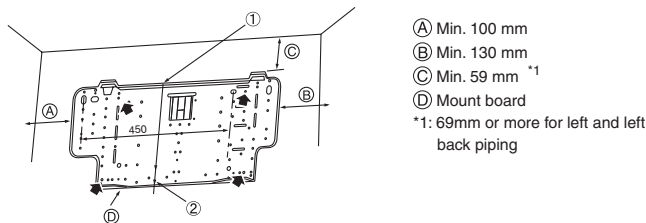


Fig. 3-3

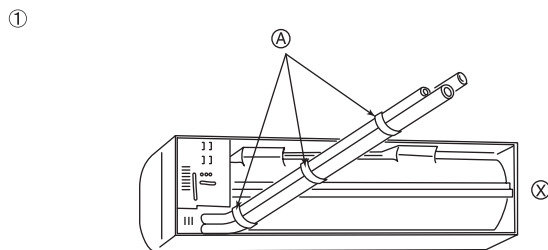


Fig. 3-4

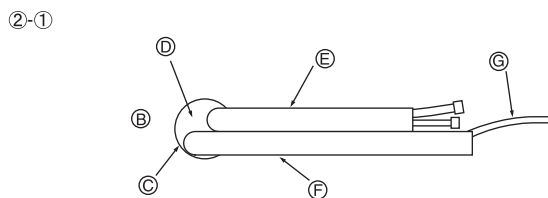


Fig. 3-5

3.1. Installing the wall mounting fixture (Fig. 3-1)

3.1.1. Setting the wall mounting fixture and piping positions

▶ Using the wall mounting fixture, determine the unit's installation position and the locations of the piping holes to be drilled.

⚠ Warning:

Before drilling a hole in the wall, you must consult the building contractor.

- | | |
|-----------------------------------|------------------------------------|
| (A) Supporting piece | (H) Knockout hole (12- ϕ 2.6) |
| (B) Mount board | (I) Knockout hole (4- ϕ 9) |
| (C) Main body | (J) Knockout hole (87- ϕ 5.4) |
| (D) Slot (4-4.5 \times 35) | (K) Piping hole (ϕ 65) |
| (E) Knockout hole (8- ϕ 4.3) | (L) Slot (4-4.5 \times 40) |
| (F) Level setting standard | (M) Slot (4-4.5 \times 37) |
| (G) Knockout hole | (N) Slot (4-11 \times 20) |

W: Location for wall holes

(X) Wall mounting fixture

(Y) Hole centre

(Z) Align the scale with the line.

(V) Insert scale.

3.1.2. Drilling the piping hole (Fig. 3-2)

▶ Use a core drill to make a hole of 90-100 mm diameter in the wall in the piping direction, at the position shown in the diagram to the left.

▶ The hole should incline so that the outside opening is lower than the inside opening.

▶ Insert a sleeve (with a 90 mm diameter and purchased locally) through the hole.

Note:

The purpose of the hole's inclination is to promote drain flow.

3.1.3. Installing the wall mounting fixture

▶ Since the indoor unit weighs near 10 kg, selection of the mounting location requires thorough consideration. If the wall does not seem to be strong enough, reinforce it with boards or beams before installation.

▶ The mounting fixture must be secured at both ends and at the centre, if possible. Never fix it at a single spot or in any unsymmetrical way. (If possible, secure the fixture at all the positions marked with a bold arrow.) (Fig. 3-3)

⚠ Warning:

If possible, secure the fixture at all positions indicated with a bold arrow.

⚠ Caution:

- The unit body must be mounted horizontally.
- Fasten at the holes marked with **▲** as shown by the arrows.

① Fasten a thread to the hole.

② The level can be easily obtained by hanging a weight from the string and aligning the string with the mark.

3.2. Preparation for piping connection

▶ Remove the vinyl band that holds the drain pipe.

① Rear, right and lower piping (Fig. 3-4)

▶ Bind the refrigerant pipes and drain pipe with vinyl tape at three or more points. This will facilitate passing the pipes through the wall.

(A) Vinyl tape

(X) This figure is viewed from the back of the unit.

② Left and left rear piping

②-① For left rear piping, pull the pipes out the hole to determine their correct length, then bend them. The indoor unit should hang on the wall mounting fixture. (Fig. 3-5)

(B) Wall

(C) Wall hole

(D) Bent section

(E) Refrigerant pipe

(F) Drain pipe

(G) Transmission cable

3. Installing the indoor unit

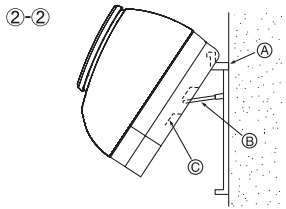


Fig. 3-6

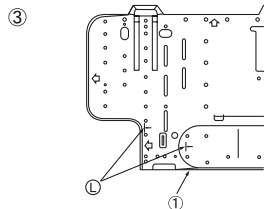


Fig. 3-7

- ②-② Lift the indoor unit by hooking the supporting piece (attached to the mount board) to the ribs on the back of the unit as shown. (Fig. 3-6)
When piping work etc. is complete, replace the supporting piece on the mount board.
(If the unit is not fixed securely, vibration may occur during operation.)

- Ⓐ Mount board
- Ⓑ Supporting piece
- Ⓒ Rib

- ③ If the flare pipe is to be embedded into the wall in advance: (Fig. 3-7)

- Determine the length of pipe to be embedded by marking on the mounting plate as a reference.
- Ⓐ Mark
- ① Wall mounting fixture

3.3. Mounting the unit (Fig. 3-8)

- ① Securely place the hanging fixtures for the indoor unit over the catches on the wall mounting fixture.

- Ⓐ Indoor unit
- Ⓑ Wall mounting fixture
- Ⓒ Catch

- ② When piping has been completed, install the indoor unit and wall mounting fixture with fixing screws.

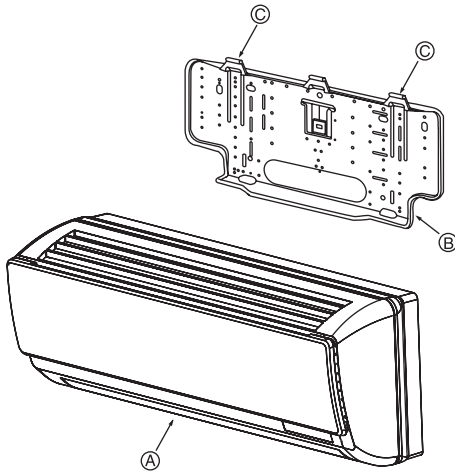


Fig. 3-8

4. Refrigerant pipe and drain pipe

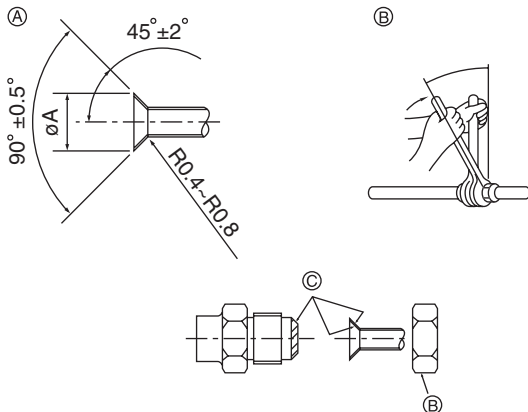


Fig. 4-1

4.1. Connecting pipes (Fig. 4-1)

- When commercially available copper pipes are used, wrap liquid and gas pipes with commercially available insulation materials (heat-resistant to 100 °C or more, thickness of 12 mm or more).
- The indoor parts of the drain pipe should be wrapped with polyethylene foam insulation materials (specific gravity of 0.03, thickness of 9 mm or more).
- Apply thin layer of refrigerant oil to pipe and joint seating surface before tightening flare nut.
- Use two wrenches to tighten piping connections.
- Use refrigerant piping insulation provided to insulate indoor unit connections. Insulate carefully.

- Ⓐ Flare cutting dimensions

Copper pipe O.D. (mm)	Flare dimensions (mm)	Flare nut dimensions (mm)
ø6.35	8.7 - 9.1	
ø9.52	12.8 - 13.2	
ø12.7	16.2 - 16.6	
ø15.88	19.3 - 19.7	
ø19.05	22.9 - 23.3	

- Ⓑ Refrigerant pipe sizes & Flare nut tightening torque

	R407C or R22				R410A				Flare nut O.D.	
	Liquid pipe		Gas pipe		Liquid pipe		Gas pipe		Liquid pipe (mm)	Gas pipe (mm)
	Pipe size (mm)	Tightening torque (N.m)	Pipe size (mm)	Tightening torque (N.m)	Pipe size (mm)	Tightening torque (N.m)	Pipe size (mm)	Tightening torque (N.m)		
P20/25/32/40	ODø6.35 (1/4")	14 - 18	ODø12.7 (1/2")	49 - 61	ODø6.35 (1/4")	14 - 18	ODø12.7 (1/2")	49 - 61	17	26
P50	ODø9.52 (3/8")	34 - 42*	ODø15.88 (5/8")	68 - 82*	ODø6.35 (1/4")	34 - 42	ODø12.7 (1/2")	68 - 82	22	29
P63/80	ODø9.52 (3/8")	34 - 42	ODø15.88 (5/8")	68 - 82	ODø9.52 (3/8")	34 - 42	ODø15.88 (5/8")	68 - 82	22	29
P100/125	ODø9.52 (3/8")	34 - 42	ODø19.05 (3/4")	100 - 120*	ODø9.52 (3/8")	34 - 42	ODø15.88 (5/8")	100 - 120	22	36

* Use the provided flare nut for the following pipes: Liquid pipe of P50, gas pipe of P50, P100, P125.

- Ⓒ Apply refrigerating machine oil over the entire flare seat surface.

4. Refrigerant pipe and drain pipe

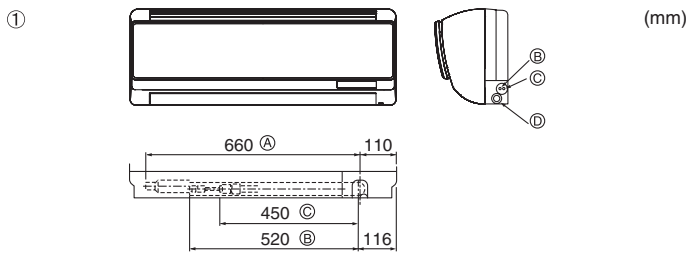


Fig. 4-2

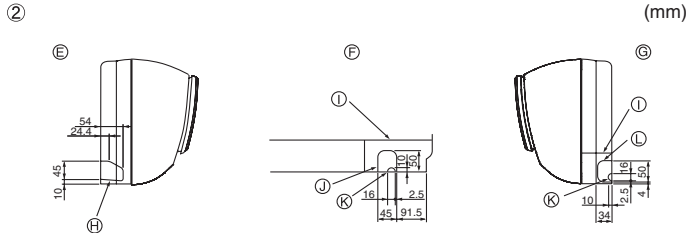


Fig. 4-3

4.2. Positioning refrigerant and drain piping

- ① Position of refrigerant and drain piping (Fig. 4-2)
- The drain pipe can be cut midway to meet the on-site conditions.
 - (A) Total length of flexible hose
 - (B) Liquid pipe
 - (C) Gas pipe
 - (D) Drain hose

- ② Determine the position of the knockout holes on the unit body. (Fig. 4-3)

► **Cut the knockout holes using a saw blade or an adequate knife.**
Take care not to damage other parts of the unit.

- Remove the corner box and drill a knockout hole. If a hole is made without removing the box, the drain hose could be damaged.

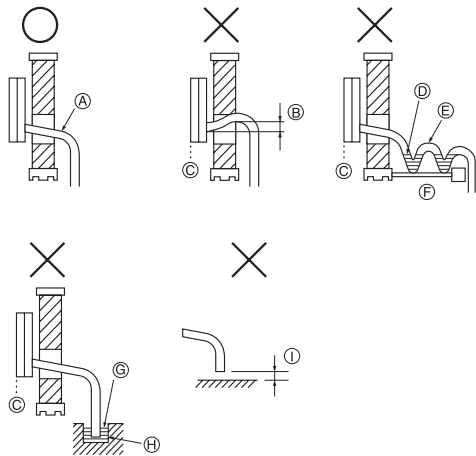
- (E) Left-side piping
- (F) Lower piping
- (G) Right-side piping
- (H) Knockout hole for left-side piping
- (I) Corner box
- (J) Knockout hole for lower piping
- (K) Through hole for the remote controller's cable
- (L) Knockout hole for right-side piping

4.3. Drain piping (Fig. 4-4)

- Drain pipes should have an inclination of 1/100 or more.
- For extension of the drain pipe, use a soft hose (inner dia. 16 mm) available on the market or hard vinyl chloride pipe (VP-16). Make sure that there is no water leakage from the connections.
- If the drain pipe passes indoors it must be covered with insulating material (foamed polyethylene: specific gravity: 0.03, thickness: 9 mm or more) available on the market.
- Do not put the drain piping directly in a drainage ditch where sulphuric gas may be generated.
- When piping has been completed, check that water flows from the end of the drain pipe.

⚠ Caution:

The drain pipe should be installed according to this Installation Manual to ensure correct drainage. Thermal insulation of the drain pipes is necessary to prevent condensation. If the drain pipes are not properly installed and insulated, condensation may drip on the ceiling, floor or other possessions.



- (A) Inclined downwards
- (B) Must be lower than outlet point
- (C) Water leakage
- (D) Trapped drainage
- (E) Air
- (F) Wavy
- (G) The end of drain pipe is under water.
- (H) Drainage ditch
- (I) 5 cm or less between the end of drain pipe and the ground

Fig. 4-4

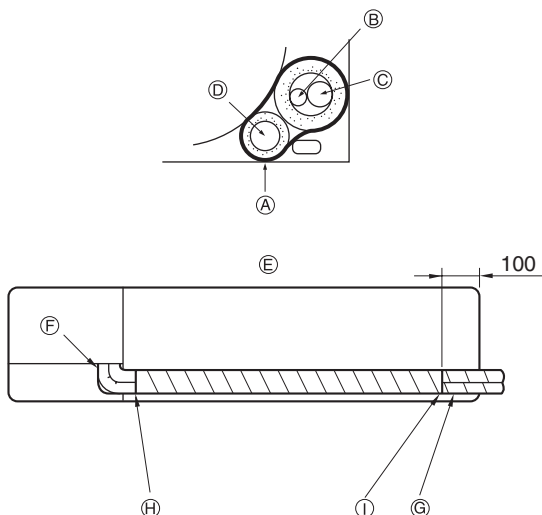


Fig. 4-5

4.4. Completing the piping (Fig. 4-5)

- To prevent condensation from dripping, put felt tape over the insulation materials on the refrigerant and drain pipes within the unit as shown in the diagram.
- Arrange the drain hose so that it goes to the bottom of the unit.
- The overlapping width of felt tape is one half of the tape width.
 - (A) Felt tape
 - (B) Liquid pipe
 - (C) Gas pipe
 - (D) Drain piping
 - (E) Viewed from the back
 - (F) Take care that the middle of the drain hose is not raised.
 - (G) In the case of left piping, the refrigerant pipes and the drain pipe should be taped separately.
 - (H) Wrap together the refrigerant pipes and the drain pipe with felt tape so that white felt overlaps by 20 mm or more.
 - * The pipes should be wrapped so that they are housed behind the unit.
 - (I) Fix the end of the felt tape with a bandage fixture.

5. Electrical work

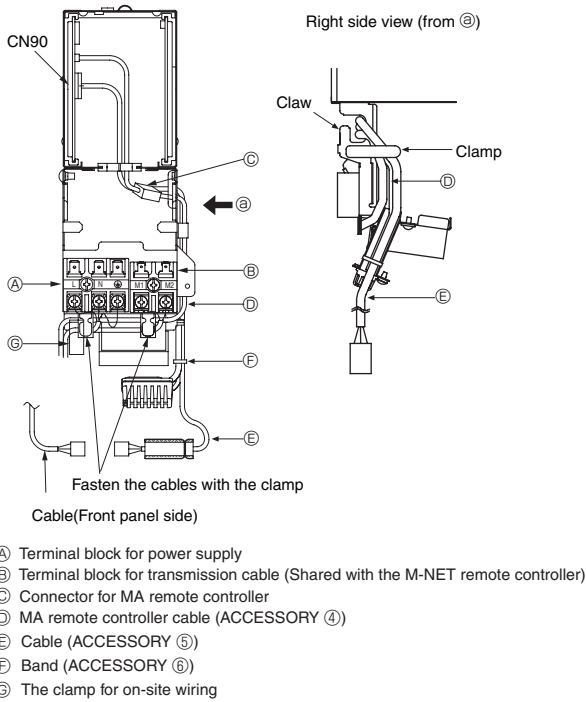


Fig. 5-1

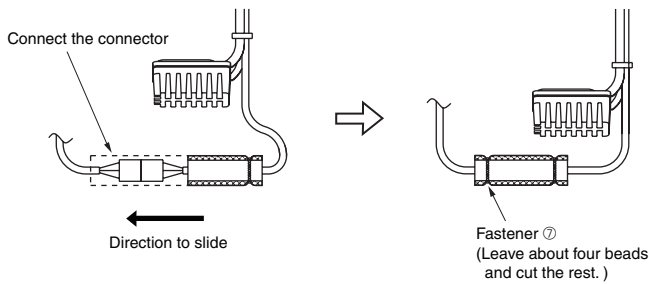


Fig. 5-2

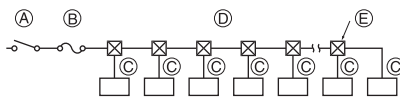


Fig. 5-3

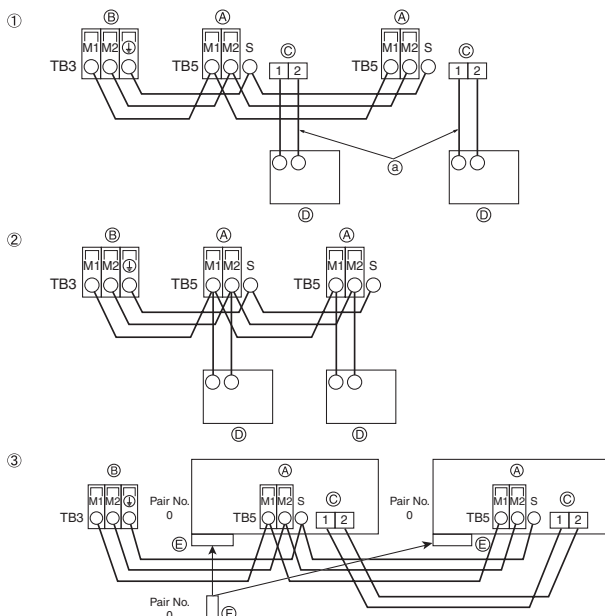


Fig. 5-4

5.1. Indoor unit (Fig. 5-1,5-2)

- 1) Remove the front panel, then remove the corner box from the lower right corner of the indoor unit.
 - 2) Remove the screw fixing the electric parts cover and remove the cover.
 - 3) Connect the power cable and transmission cable to the terminal block.
 - The electric parts box may have to be pulled forward during customer service etc. Therefore, the wires must have some extra length.
 - 4) Connect the connector for MA remote controller. (Non-polarized 2-wire)
 - 5) Connect the attached cable ㉕ to the CN90 on controller board in the electrical parts box.
 - * Be sure to connect in case of using MA/M-NET Remote controller.
 - 6) Fix the MA Remote controller cable ㉔ and the cable ㉕ with the clamp through the claw on the right side of the electrical parts box.
 - 7) Fix the MA remote controller cable ㉔ on the fixing clamp with the cable running along the down side of the terminal block.
 - 8) Fix the cable ㉕ with the attached band ㉖.
 - 9) Bring out the lead wire on the back side of the front panel to the corner box side. Put back the electrical cover and front panel. (Do not pull the lead wire strongly.)
 - 10) After connecting the connectors (yellow 9-pole) on the indoor unit and front panel, slide the glass tube and fix it with the attached fastener ㉗ at which the connector joint part is not exposed.
 - * Be sure to connect in case of using MA/M-NET Remote controller.
 - 11) Fix each wire with the clamp for on-site wiring under the electrical parts box and put the corner box cover back.
- A means for the disconnection of the supply with an isolation switch, or similar device, in all active conductors shall be incorporated in the fixed wiring.

▶ Selecting non-fuse breaker (NF) or earth leakage breaker (NV).

For breaker, means shall be provided to ensure disconnection of all active phase conductors of the supply.

Power supply wiring

- Install an earth longer than other cables.
 - Power supply codes of appliance shall not be lighter than design 60245 IEC 53 or 60227 IEC 53.
 - A switch with at least 3 mm contact separation in each pole shall be provided by the air conditioner installation.
- Power cable size : more than 1.5 mm².

[Fig.5-3]

- ㉔ Switch 16 A
- ㉕ Total operating current be less than 16 A
- ㉖ Overcurrent protection 16 A
- ㉗ Pull box
- ㉘ Indoor unit

5.2. Connecting remote controller, indoor and outdoor transmission cables (Fig. 5-4)

- Connect indoor unit TB5 and outdoor unit TB3. (Non-polarized 2-wire)
- The "S" on indoor unit TB5 is a shielding wire connection. For specifications about the connecting cables, refer to the outdoor unit installation manual.

Note:

As for PKFY-P-BM series, TB5 has two terminals and does not have S terminal. The earths of shielding wires are crimping-connected. Insulate the connected parts with insulating tapes and so on.

- Install a remote controller following the manual supplied with the remote controller.
- Connect the remote controller's transmission cable within 10 m using a 0.75 mm² core cable. If the distance is more than 10 m, use a 1.25 mm² junction cable.
- ① MA Remote controller
 - Connect the connector for MA remote controller. (Non-polarized 2-wire)
 - DC 9 to 13 V between 1 and 2 (MA remote controller)
 - ㉔ MA remote controller cable (ACCESSORY ㉔)
- ② M-NET Remote controller
 - Connect the "M1" and "M2" on indoor unit TB5 to a M-NET remote controller. (Non-polarized 2-wire)
 - DC 24 to 30 V between M1 and M2 (M-NET remote controller)
- ③ Wireless remote controller
 - When more than two units are run under group control using wireless remote controller, connect TB15 each with the same number.
 - To change Pair No. setting, refer to installation manual attached to wireless remote controller. (In the default setting of indoor unit and wireless remote controller, Pair No. is 0.)

- ㉔ Terminal block for indoor transmission cable
- ㉕ Terminal block for outdoor transmission cable (M1(A), M2(B), ⚡(S))
- ㉖ Connector for MA remote controller
- ㉗ Remote controller
- ㉘ Wireless signal receiver
- ㉙ Wireless remote controller

5. Electrical work

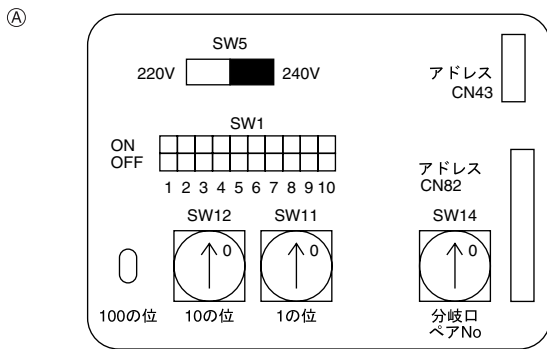


Fig. 5-5

5.3. Setting addresses (Fig. 5-5)

(Be sure to operate with the main power turned OFF.)

- There are two types of rotary switch setting available: setting addresses 1 to 9 and over 10, and setting branch numbers.

Note:

Please set the switch SW5 according to the power supply voltage.

- **Set SW5 to 240 V side when the power supply is 230 and 240 volts.**
- **When the power supply is 220 volts, set SW5 to 220 V side.**

Ⓐ Address board

5.4. Types of control cables

1. Wiring transmission cables: Shielding wire CVVS or CPEVS

- Cable diameter: More than 1.25 mm²

2. M-NET Remote control cables

Kind of remote control cable	Shielding wire MVVS
Cable diameter	More than 0.5 to 1.25 mm ²
Remarks	When 10 m is exceeded, use cable with the same specifications as transmission line wiring

3. MA Remote control cables

Kind of remote control cable	2-core cable (unshielded)
Cable diameter	0.3 to 1.25 mm ²

6. Test run

6.1. Before test run

- ▶ After completing installation and the wiring and piping of the indoor and outdoor units, check for refrigerant leakage, looseness in the power supply or control wiring, wrong polarity, and no disconnection of one phase in the supply.
- ▶ Use a 500-volt megohmmeter to check that the resistance between the power supply terminals and ground is at least 1.0 MΩ.

- ▶ Do not carry out this test on the control wiring (low voltage circuit) terminals.

⚠ **Warning:**

Do not use the air conditioner if the insulation resistance is less than 1.0 MΩ.

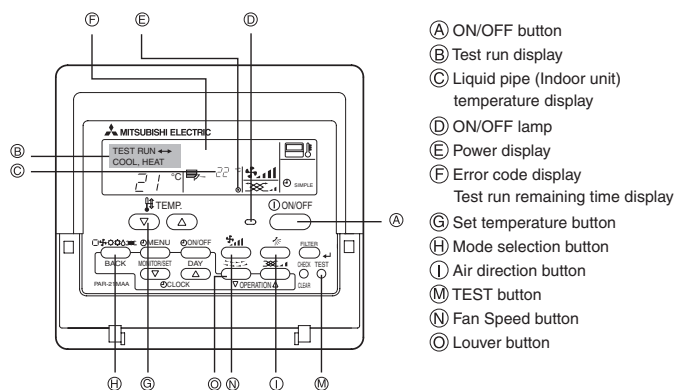


Fig. 6-1

6.2. Test run

Using wired remote controller (Fig. 6-1)

- ① Turn on the power at least 12 hours before the test run.
- ② Press the [TEST] button twice. ➡ "TEST RUN" liquid crystal display
- ③ Press the [Mode selection] button and switch to the cooling (or heating) mode. ➡ Make sure that cold (or warm) wind is blown out.
- ④ Press the [Fan speed] button. ➡ Make sure that the wind speed is switched.
- ⑤ Press the [Air direction button] or [Louver button]. ➡ Check operation of the vane or louver.
- ⑥ Check operation of the outdoor unit fan.
- ⑦ Release test run by pressing the [ON/OFF] button. ➡ Stop
- ⑧ Register a telephone number.

The telephone number of the repair shop, sales office, etc., to contact if an error occurs can be registered in the remote controller. The telephone number will be displayed when an error occurs. For registration procedures, refer to the operation manual for the indoor unit.

Note:

- If an error code is displayed on the remote controller or if the air conditioner does not operate properly, refer to the outdoor unit installation manual or other technical materials.
- The OFF timer is set for the test run to automatically stop after 2 hours.
- During the test run, the time remaining is shown in the time display.
- During the test run, the temperature of the indoor unit refrigerant pipes is shown in the room temperature display of the remote controller.
- When the VANE or LOUVER button is pressed, the message "NOT AVAILABLE" may appear on the remote controller display depending on the indoor unit model, but this is not a malfunction.

This product is designed and intended for use in the residential,
commercial and light-industrial environment.

The product at hand is based on the following EU regulations:

- Low Voltage Directive 2006/95/EC
- Electromagnetic Compatibility Directive 89/336/EEC

Please be sure to put the contact address/telephone number on
this manual before handing it to the customer.

 **mitsubishi electric corporation**

HEAD OFFICE: TOKYO BLDG., 2-7-3, MARUNOUCHI, CHIYODA-KU, TOKYO 100-8310, JAPAN