

# Air-Conditioners For Building Application INDOOR UNIT

## PKFY-P-VBM-E / PKFY-P-VHM-E

## PCFY-P-VKM-E / PFFY-P-VKM-E(2) / PMFY-P-VBM-E

### OPERATION MANUAL

**FOR USER**

For safe and correct use, please read this operation manual thoroughly before operating the air-conditioner unit.

### BEDIENUNGSHANDBUCH

**FÜR BENUTZER**

Zum sicheren und einwandfreien Gebrauch der Klimaanlage dieses Bedienungshandbuch vor Inbetriebnahme gründlich durchlesen.

### MANUEL D'UTILISATION

**POUR L'UTILISATEUR**

Pour une utilisation correcte sans risques, veuillez lire le manuel d'utilisation en entier avant de vous servir du climatiseur.

### BEDIENINGSHANDLEIDING

**VOOR DE GEBRUIKER**

Voor een veilig en juist gebruik moet u deze bedieningshandleiding grondig doorlezen voordat u de airconditioner gebruikt.

### MANUAL DE INSTRUCCIONES

**PARA EL USUARIO**

Lea este manual de instrucciones hasta el final antes de poner en marcha la unidad de aire acondicionado para garantizar un uso seguro y correcto.

### ISTRUZIONI DI FUNZIONAMENTO

**PER L'UTENTE**

Leggere attentamente questi istruzioni di funzionamento prima di avviare l'unità, per un uso corretto e sicuro della stessa.

### ΕΓΧΕΙΡΙΔΙΟ ΟΔΗΓΙΩΝ ΧΡΗΣΕΩΣ

**ΓΙΑ ΤΟΝ ΧΡΗΣΤΗ**

Για ασφάλεια και σωστή χρήση, παρακαλείστε διαβάστε προσεχτικά αυτό το εγχειρίδιο χρήσεως πριν θέσετε σε λειτουργία τη μονάδα κλιματισμού.

### MANUAL DE OPERAÇÃO

**PARA O UTILIZADOR**

Para segurança e utilização correctas, leia atentamente o manual de operação antes de pôr a funcionar a unidade de ar condicionado.

### İşletme Elkitabı

**KULLANICI İÇİN**

Emniyetli ve doğru biçimde nasıl kullanılacağını öğrenmek için lütfen klima cihazını işletmeden önce bu elkitabını dikkatle okuyunuz.

### РУКОВОДСТВО ПО ЭКСПЛУАТАЦИИ

**ДЛЯ ПОЛЬЗОВАТЕЛЯ**

Для обеспечения правильного и безопасного использования следует ознакомиться с инструкциями, указанными в данном руководстве по эксплуатации, тщательным образом до того, как приступить к использованию кондиционера.

**English (GB)****Deutsch (D)****Français (F)****Nederlands (NL)****Español (E)****Italiano (I)****Ελληνικά (GR)****Português (P)****Türkçe (TR)****Русский (RU)**

# Contents

1. Safety Precautions .....	2	7. Other Functions .....	11
2. Parts Names .....	3	8. Function Selection .....	12
3. Screen Configuration .....	6	9. Emergency operation for wireless remote-controller .....	16
4. Setting the Day of the Week and Time .....	6	10. Care and Cleaning .....	16
5. Operation .....	6	11. Trouble Shooting .....	18
6. Timer .....	8	12. Specifications .....	20



Note

Fig.1

This symbol mark is for EU countries only.

This symbol mark is according to the directive 2002/96/EC Article 10 Information for users and Annex IV, and/or to the directive 2006/66/EC Article 20 Information for end-users and Annex II.

Your MITSUBISHI ELECTRIC product is designed and manufactured with high quality materials and components which can be recycled and/or reused. This symbol means that electrical and electronic equipment, batteries and accumulators, at their end-of-life, should be disposed of separately from your household waste. If a chemical symbol is printed beneath the symbol (Fig. 1), this chemical symbol means that the battery or accumulator contains a heavy metal at a certain concentration.

This will be indicated as follows: Hg: mercury (0,0005%), Cd: cadmium (0,002%), Pb: lead (0,004%)

In the European Union there are separate collection systems for used electrical and electronic products, batteries and accumulators. Please, dispose of this equipment, batteries and accumulators correctly at your local community waste collection/recycling centre.

Please, help us to conserve the environment we live in!

Note:

The phrase "Wired remote controller" in this operation manual refers to the PAR-21MAA.

If you need any information for the other remote controller, please refer to the instruction book included in this box.

## 1. Safety Precautions

- ▶ Before installing the unit, make sure you read all the "Safety Precautions".
- ▶ The "Safety Precautions" provide very important points regarding safety. Make sure you follow them.
- ▶ Please report to or take consent by the supply authority before connection to the system.

### Symbols used in the text

⚠ Warning:

Describes precautions that should be observed to prevent danger of injury or death to the user.

⚠ Caution:

Describes precautions that should be observed to prevent damage to the unit.

### Symbols used in the illustrations

⚡: Indicates a part which must be grounded.

⚠ Warning:

- These appliances are not accessible to the general public.
- The unit must not be installed by the user. Ask the dealer or an authorized company to install the unit. If the unit is installed improperly, water leakage, electric shock or fire may result.
- Do not stand on, or place any items on the unit.
- Do not splash water over the unit and do not touch the unit with wet hands. An electric shock may result.
- Do not spray combustible gas close to the unit. Fire may result.
- Do not place a gas heater or any other open-flame appliance where it will be exposed to the air discharged from the unit. Incomplete combustion may result.
- Do not remove the front panel or the fan guard from the outdoor unit when it is running.
- Never repair the unit or transfer it to another site by yourself.
- When you notice exceptionally abnormal noise or vibration, stop operation, turn off the power switch, and contact your dealer.
- Never insert fingers, sticks etc. into the intakes or outlets.
- If you detect odd smells, stop using the unit, turn off the power switch and consult your dealer. Otherwise, a breakdown, electric shock or fire may result.
- This air conditioner is NOT intended for use by children or infirm persons without supervision.

- Young children must be supervised to ensure that they do not play with the air conditioner.
- If the refrigeration gas blows out or leaks, stop the operation of the air conditioner, thoroughly ventilate the room, and contact your dealer.
- This appliance is not intended for use by persons (including children) with reduced physical, sensory or mental capabilities, or lack of experience and knowledge, unless they have been given supervision or instruction concerning use of the appliance by a person responsible for their safety.
- When installing or relocating, or servicing the air conditioner, use only the specified refrigerant (R410A) to charge the refrigerant lines. Do not mix it with any other refrigerant and do not allow air to remain in the lines.

If air is mixed with the refrigerant, then it can be the cause of abnormal high pressure in the refrigerant line, and may result in an explosion and other hazards. The use of any refrigerant other than that specified for the system will cause mechanical failure or system malfunction or unit breakdown. In the worst case, this could lead to a serious impediment to securing product safety.

⚠ Caution:

- Do not use any sharp object to push the buttons, as this may damage the remote controller.
- Never block or cover the indoor or outdoor unit's intakes or outlets.
- Never wipe the remote controller with benzene, thinner chemical rags, etc.
- Do not operate the unit for a long time in high humidity, e.g. leaving a door or window open. In the cooling mode, if the unit is operated in a room with high humidity (80% RH or more) for a long time, water condensed in the air conditioner may drop and wet or damage furniture, etc.

- Do not touch the upper air outlet vane or the lower air outlet damper during operation. Otherwise, condensation may form and the unit may stop operating.

### Disposing of the unit

When you need to dispose of the unit, consult your dealer.

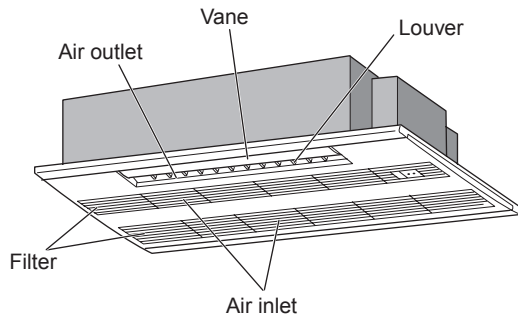
## 2. Parts Names

### Indoor Unit

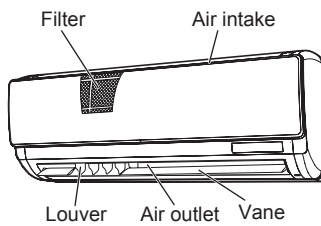
	PKFY-P-VBM-E	PKFY-P-VHM-E	PCFY-P-VKM-E	PMFY-P-VBM-E	PFFY-P-VKM-E(2)
Fan speed	4 speed	3 speed+ Auto*	4 speed+ Auto*	4 speed	4 speed
Vane	Steps	4 steps	5 steps	4 steps	4 steps
	Auto swing	×	○	○	○
Louver	Manual	Manual	Manual	Manual	Manual
Filter	Normal	Normal	Long-life	Normal	Normal
Filter cleaning indication	100 hr	100 hr	2,500 hr	100 hr	100 hr

\* This operation is available only using the remote controller that is able to set its Fan speed setting "Auto".

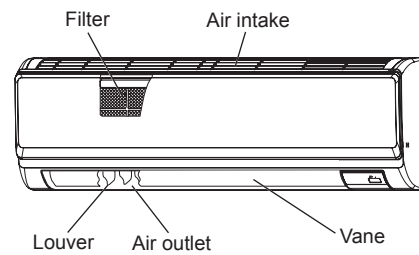
### PMFY-P-VBM-E 1-way Ceiling Cassette



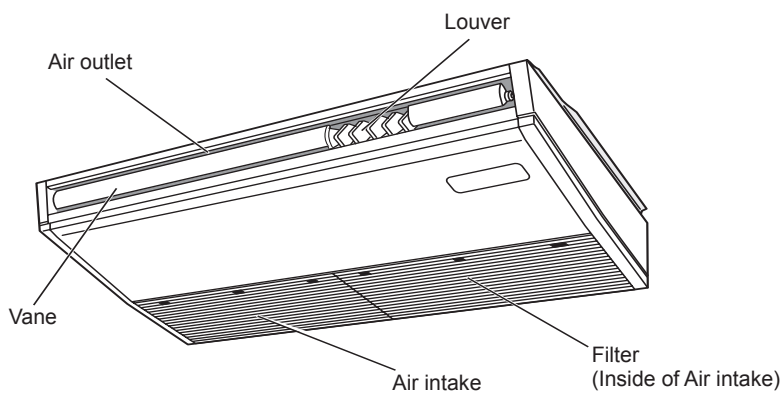
### PKFY-P-VBM-E Wall Mounted



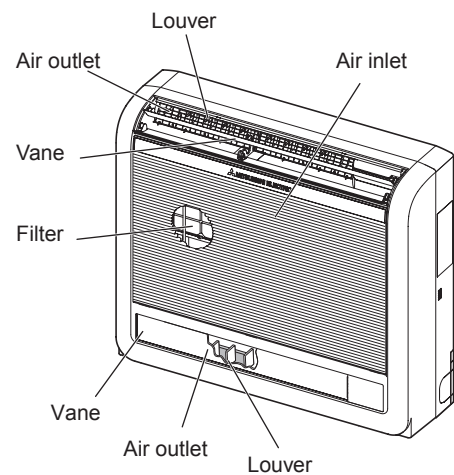
### PKFY-P-VHM-E Wall Mounted



### PCFY-P-VKM-E Ceiling Suspended



### PFFY-P-VKM-E(2) Floor Standing



## 2. Parts Names

### Wired Remote-Controller

#### Display Section

For purposes of this explanation, all parts of the display are shown. During actual operation, only the relevant items will be displayed.

Identifies the current operation  
Shows the operating mode, etc.  
\* Multi-language display is supported.

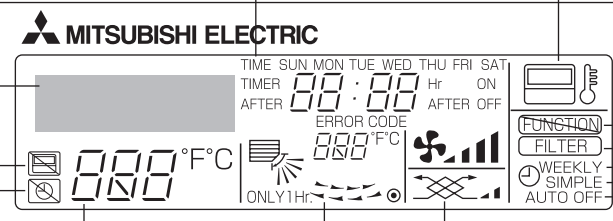
"Centrally Controlled" indicator  
Indicates that operation of the remote controller has been prohibited by a master controller.

"Timer is Off" indicator  
Indicates that the timer is off.

Temperature Setting  
Shows the target temperature.

Day-of-Week  
Shows the current day of the week.

Time/Timer Display  
Shows the current time, unless the simple or Auto Off timer is set.  
If the simple or Auto Off timer is set, shows the time remaining.



Up/Down Air Direction indicator  
The indicator shows the direction of the airflow.

"One Hour Only" indicator  
Displays if the airflow is set to Low and downward during COOL or DRY mode. (Operation varies according to model.)  
The indicator goes off after one hour when the airflow direction also changes.

Room Temperature display  
Shows the room temperature. The room temperature display range is 8 - 39°C.  
The display blinks if the temperature is less than 8°C or 39°C or more.

Louver display  
Indicates the action of the swing louver. Does not appear if the louver is stationary.

(Power On indicator)  
Indicates that the power is on.

"Sensor" indication  
Displays when the remote controller sensor is used.

"Locked" indicator  
Indicates that remote controller buttons have been locked.

"Clean The Filter" indicator  
Comes on when it is time to clean the filter.

Timer indicators  
The indicator comes on if the corresponding timer is set.

Fan Speed indicator  
Shows the selected fan speed.

Ventilation indicator  
Appears when the unit is running in Ventilation mode.

#### Operation Section

Set Temperature buttons



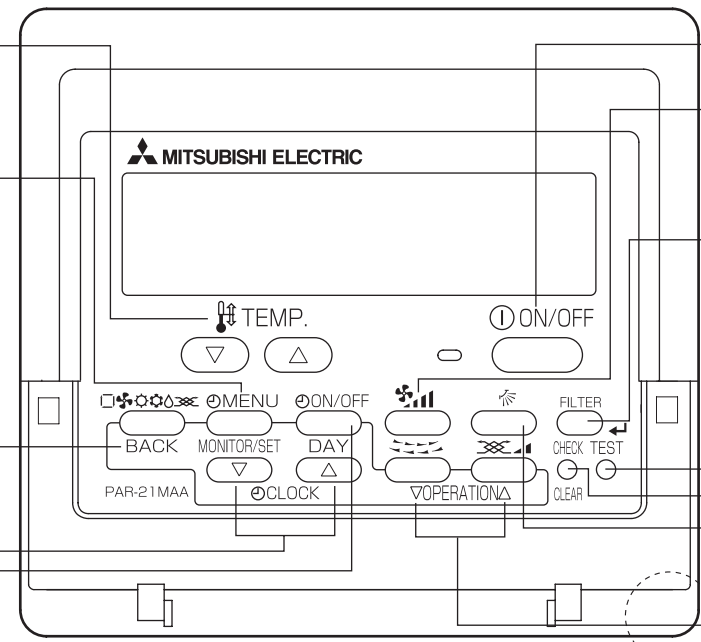
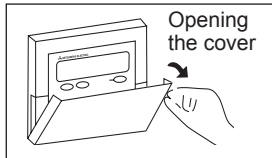
Timer Menu button (Monitor/Set button)

Mode button (Return button)

Set Time buttons



Timer On/Off button (Set Day button)



ON/OFF button

Fan Speed button

Filter button (<Enter> button)

Test Run button

Check button (Clear button)

Airflow Up/Down button

Louver button (Operation button)

To return operation number

Ventilation button (Operation button)

To go to next operation number

Built-in temperature sensor

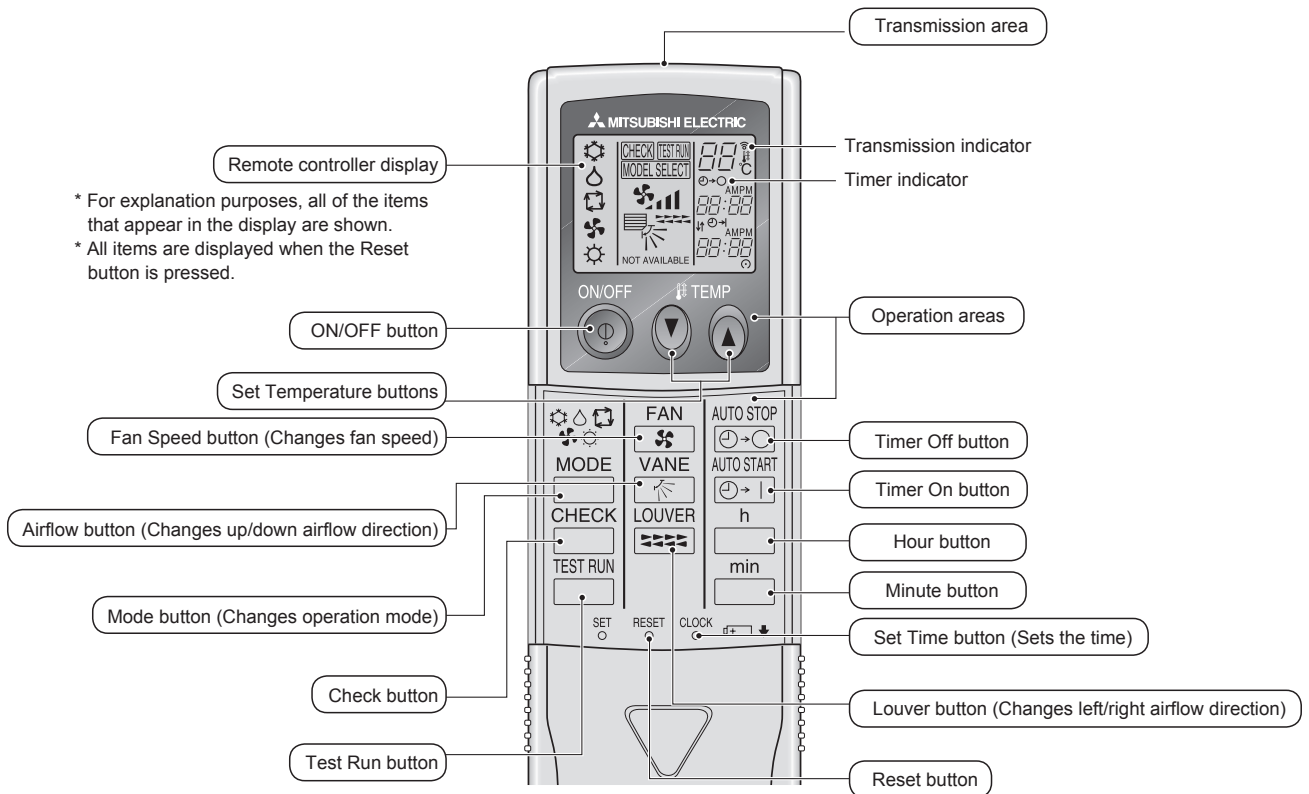
#### Note:

- "PLEASE WAIT" message  
This message is displayed for approximately 3 minutes when power is supplied to the indoor unit or when the unit is recovering from a power failure.
- Operation mode blinking display  
When multiple indoor units are connected to a single outdoor unit and an operation mode is selected for one indoor unit that is different from the current operation mode of another indoor unit, the operation mode display blinks. Select the same operation mode of the other indoor unit.
- "NOT AVAILABLE" message  
This message is displayed if a button is pressed to operate a function that the indoor unit does not have.  
When the same remote controller is used to operate multiple indoor units, this message is displayed if the main indoor unit is not equipped with the selected function.
- Room temperature display  
The indoor unit temperature sensors or the remote controller temperature sensor can be selected to measure the room temperature. The indoor unit temperature sensors are the initial setting. When the indoor unit temperature sensors are selected to measure the room temperature, the room temperature measured at the main indoor unit is displayed on the remote controller that operates multiple indoor units.



## 2. Parts Names

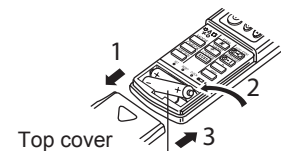
### ■ Wireless Remote-Controller



- When using the wireless remote controller, point it towards the receiver on the indoor unit.
- If the remote controller is operated within approximately two minutes after power is supplied to the indoor unit, the indoor unit may beep twice as the unit is performing the initial automatic check.
- The indoor unit beeps to confirm that the signal transmitted from the remote controller has been received. Signals can be received up to approximately 7 meters in a direct line from the indoor unit in an area 45° to the left and right of the unit. However, illumination such as fluorescent lights and strong light can affect the ability of the indoor unit to receive signals.
- If the operation lamp near the receiver on the indoor unit is blinking, the unit needs to be inspected. Consult your dealer for service.
- Handle the remote controller carefully! Do not drop the remote controller or subject it to strong shocks. In addition, do not get the remote controller wet or leave it in a location with high humidity.
- To avoid misplacing the remote controller, install the holder included with the remote controller on a wall and be sure to always place the remote controller in the holder after use.

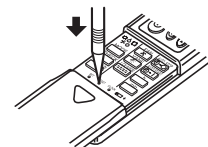
### Battery installation/replacement

1. Remove the top cover, insert two AAA batteries, and then install the top cover.



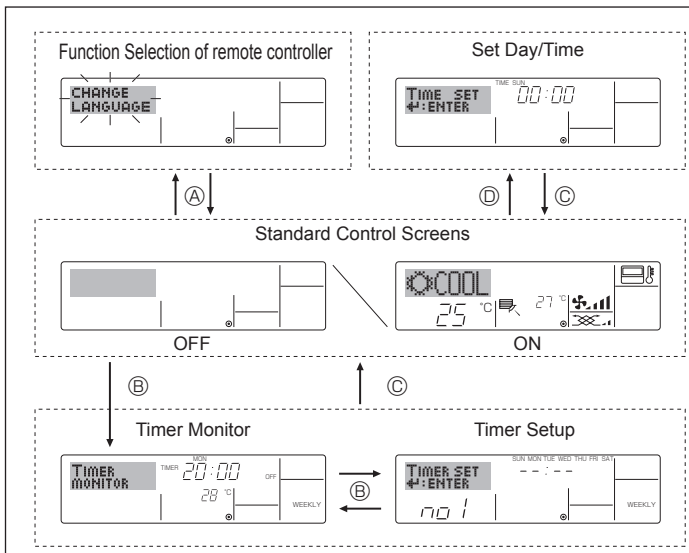
Two AAA batteries  
Insert the negative (-)  
end of each battery first.  
Install the batteries in  
the correct directions  
(+, -)!

2. Press the Reset button.



Press the Reset button  
with an object that has  
a narrow end.

### 3. Screen Configuration



#### <Screen Types>

For details on setting the language for the remote controller display, refer to section 8. Function Selection.

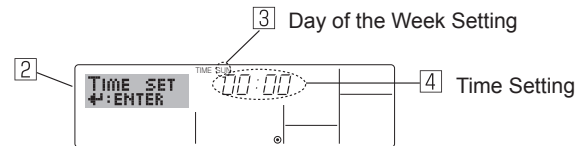
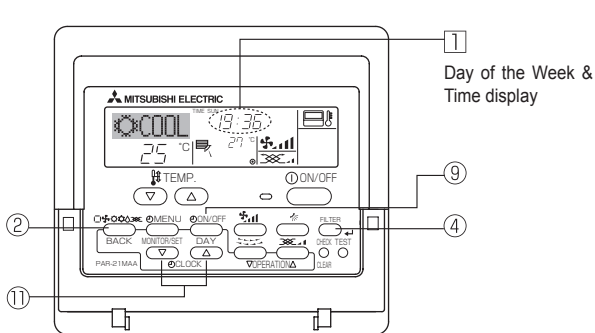
The initial language setting is English.

- **Function Selection of remote controller:**  
Set the functions and ranges available to the remote controller (timer functions, operating restrictions, etc.)
- **Set Day/Time:**  
Set the current day of the week or time.
- **Standard Control Screens:**  
View and set the air conditioning system's operating status.
- **Timer Monitor:**  
View the currently set timer (weekly timer, simple timer or Auto Off timer).
- **Timer Setup:**  
Set the operation of any of the timers (weekly timer, simple timer or Auto Off timer).

#### <How to change the screen>

- (A) : Hold down both the Mode button and the Timer On/Off button for 2 seconds.
- (B) : Press the Timer Menu button.
- (C) : Press the Mode (Return) button.
- (D) : Press either of the Set Time buttons (▽ or △).

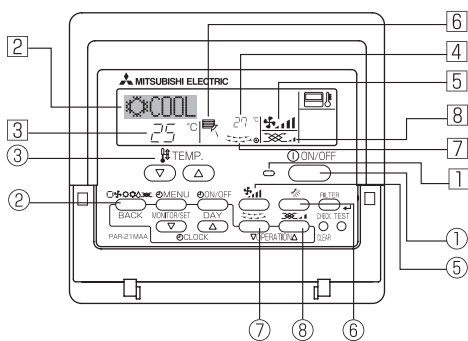
### 4. Setting the Day of the Week and Time



1. Press the ▽ or △ Set Time button ① to show display ②.
2. Press the Timer On/Off (Set Day) button ⑨ to set the day.  
\* Each press advances the day shown at ③:  
Sun → Mon → ... → Fri → Sat.
3. Press the appropriate Set Time button ① as necessary to set the time.  
\* As you hold the button down, the time (at ④) will increment first in one-minute intervals, then in ten-minute intervals, and then in one-hour intervals.
4. After making the appropriate settings at Steps 2 and 3, press the Filter button ④ to lock in the values.

**Note:**  
The day and time will not appear if clock use has been disabled at Function Selection of remote controller.

### 5. Operation



#### 5.1. Turning ON/OFF

##### <To Start Operation>

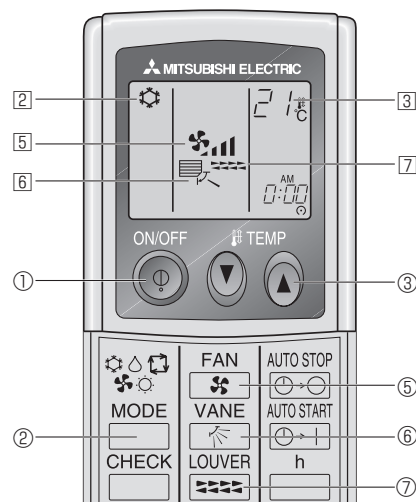
- Press the ON/OFF button ①.
- The ON lamp ① and the display area come on.

##### Note:

- When the unit is restarted, initial settings are as follows.

Remote Controller settings	
Mode	Last operation mode
Temperature setting	Last set temperature
Fan speed	Last set fan speed
Airflow up/down	Mode
	COOL or DRY Horiz. outlet *1
	HEAT Last setting *2
	FAN Horiz. outlet *1

\*1 Last setting might be applied depending on the type of the indoor unit.  
\*2 In case of the last setting is swing, airflow might be Downward 4 depending on the type of the indoor unit.



##### <To Stop Operation>

- Press the ON/OFF button ① again.
- The ON lamp ① and the display area go dark.

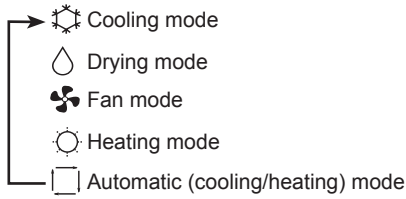
##### Note:

Even if you press the ON/OFF button immediately after shutting down the operation in progress, the air conditioner will not start for about three minutes. This is to prevent the internal components from being damaged.

## 5. Operation

### 5.2. Mode select

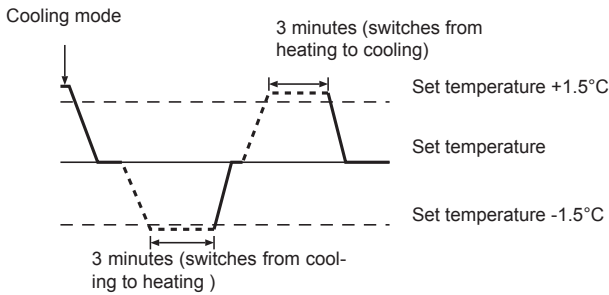
■ Press the operation mode (  ) button ② and select the operation mode ②.



#### Automatic operation

■ According to a set temperature, cooling operation starts if the room temperature is too hot and heating operation starts if the room temperature is too cold.

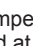
■ During automatic operation, if the room temperature changes and remains 1.5 °C or more above the set temperature for 3 minutes, the air conditioner switches to cooling mode. In the same way, if the room temperature remains 1.5°C or more below the set temperature for 3 minutes, the air conditioner switches to heating mode.



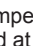
■ Because the room temperature is automatically adjusted in order to maintain a fixed effective temperature, cooling operation is performed a few degrees warmer and heating operation is performed a few degrees cooler than the set room temperature once the temperature is reached (automatic energy-saving operation).

### 5.3. Temperature setting

#### ► To decrease the room temperature:

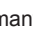
Press  button ③ to set the desired temperature. The selected temperature is displayed at ③.

#### ► To increase the room temperature:

Press  button ③ to set the desired temperature. The selected temperature is displayed at ③.

- Available temperature ranges are as follows:  
Cooling/Drying: 19 - 30 °C  
Heating: 17 - 28 °C  
Automatic: 19 - 28 °C
- The display blinks either 8°C - 39°C to inform you if the room temperature is lower or higher than the displayed temperature.

### 5.4. Fan speed setting

■ Press the Fan Speed button  ⑤ as many times as necessary while the system is running.

- Each press changes the force. The currently selected speed is shown at ⑤.
- The change sequence, and the available settings are as follows.

FAN SPEED	Display
4-speed + Auto *	Speed 1 → Speed 2 → Speed 3 → Speed 4 → Auto
3-speed + Auto *	Speed 1 → Speed 2 → Speed 3 → Auto
4-speed model	Speed 1 → Speed 2 → Speed 3 → Speed 4

\* For MA remote controller only.

Automatic fan speed setting is necessary for wireless remote controller.

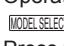
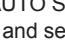

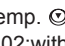
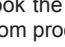

#### Note:

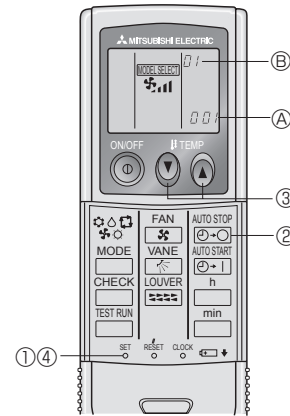
- The number of available fan speeds depends on the type of unit connected. Note also that some units do not provide an “Auto” setting.
- In the following cases, the actual fan speed generated by the unit will differ from the speed shown the remote controller display.
  1. While the display is showing “STAND BY” or “DEFROST”.
  2. When the temperature of the heat exchanger is low in the heating mode. (e.g. immediately after heating operation starts)
  3. In HEAT mode, when room temperature is higher than the temperature setting.
  4. When the unit is in DRY mode.

#### ■ Automatic fan speed setting (For wireless remote controller)

It is necessary to set for wireless remote controller only when automatic fan speed is not set at default setting.


It is not necessary to set for wired remote controller with automatic fan speed at default setting.

- ① Press the SET button with something sharp at the end. Operate when display of remote controller is off.  blinks and Model No. is lighted ①.
  - ② Press the AUTO STOP  button.  blinks and setting No. is lighted ②. (Setting No.01: without automatic fan speed)
  - ③ Press the temp.  buttons to set the setting No.02. (Setting No.02:with automatic fan speed)
- If you mistook the operation, press the ON/OFF  button and operate again from procedure ②.
- ④ Press the SET button with something sharp at the end.  and Model No. are lighted for 3 seconds, then turned off.



### 5.5. Airflow direction setting

#### <To Change the Airflow's Up/Down Direction>

- With the unit running, press the Airflow Up/Down button  ⑥ as necessary.
  - Each press changes the direction. The current direction is shown at ⑥.
  - The change sequence, and the available settings, are as follows.

Airflow	Display
5 steps model*1	Swing Auto 1 2 3 4 5
4 steps model (PMFY)	Swing 1 (Horiz.) 2 3 4
4 steps model (PKFY-BM)	1 (Horiz.) 2 3 4

\* Note that during swing operation, the directional indication on the screen does not change in sync with the directional vanes on the unit.

\* Some models do not support directional settings.

\*1. For MA remote controller only, other remote controllers display the same as 4steps model.

\*2. Airflow direction setting <Auto>

COOL/FAN/DRY : Setting 1 (Horizontal), HEAT : Setting 5 (Downward 5)

## 5. Operation

### Note:

- Available directions depend on the type of unit connected. Note also that some units do not provide an "Auto" setting.
- In the following cases, the actual air direction will differ from the direction indicated on the remote controller display.
  1. While the display is showing "STAND BY" or "DEFROST".
  2. Immediately after starting heater mode (while the system is waiting for the mode change to take effect).
  3. In heat mode, when room temperature is higher than the temperature setting.

(For PFFY-P-VKM series)

- For the PFFY-P-VKM series, the airflow direction displayed on the remote controller is different from the actual airflow direction. Refer to the following table.

Display	Swing	1	2	3	4
	(Horiz.)				
Actual	Swing	1	2	3	4
	(Horiz.)				

- The airflow direction for the lower air outlet damper cannot be set. The airflow direction is automatically controlled by a computer.

### <[Manual] To Change the Airflow's Left/Right Direction>

- \* The louver button ⑦ cannot be used.
  - Stop the unit operation, hold the lever of the louver, and adjust to the desired direction.
  - \* Do not set to the inside direction when the unit is in the cooling or drying mode because there is a risk of condensation and water dripping.



### ⚠ Caution:

When you operate the process above, be sure to take measures to avoid falls.

## 5.6. Ventilation

### ▶ For LOSSNAY combination

#### 5.6.1. For Wired Remote-controller

- To run the ventilator together with the indoor unit:
  - Press the ON/OFF button ①.
    - The Vent indication appears on the screen (at ⑧). The ventilator will now automatically operate whenever the indoor unit is running.
- To run the ventilator only when the indoor unit is off:
  - Press the Ventilation button ⑨ while the indoor unit is off.
    - The On lamp (at ⑩) and the Vent indication (at ⑧) come on.
- To change the ventilator force:
  - Press the Ventilation button ⑨ as necessary.
    - Each press toggles the setting as shown below.



### Note:

- With some model configurations, the fan on the indoor unit may come on even when you set the ventilator to run independently.

## 6. Timer

### 6.1. For Wired Remote-controller

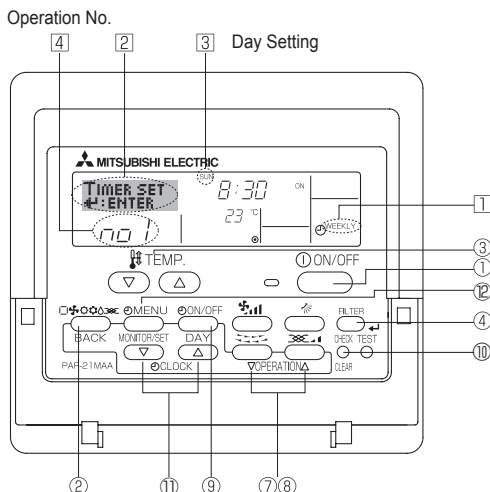
You can use Function Selection of remote controller to select which of three types of timer to use: ① Weekly timer, ② Simple timer or ③ Auto Off timer.

#### 6.1.1. Weekly Timer

- The weekly timer can be used to set up to eight operations for each day of the week.
  - Each operation may consist of any of the following: ON/OFF time together with a temperature setting, or ON/OFF time only, or temperature setting only.
  - When the current time reaches a time set at this timer, the air conditioner carries out the action set by the timer.
- Time setting resolution for this timer is 1 minute.

### Note:

1. Weekly Timer/Simple Timer/Auto Off Timer cannot be used at the same time.
2. The weekly timer will not operate when any of the following conditions is in effect.
  - The timer feature is off; the system is in a malfunction state; a test run is in progress; the remote controller is undergoing self-check or remote controller check; the user is in the process of setting a function; the user is in the process of setting the timer; the user is in the process of setting the current day of the week or time; the system is under central control. (Specifically, the system will not carry out operations (unit on, unit off, or temperature setting) that are prohibited during these conditions.)



### <How to Set the Weekly Timer>

1. Be sure that you are at a standard control screen, and that the weekly timer indicator ④ is shown in the display.
2. Press the Timer Menu button ②, so that the "Set Up" appears on the screen (at ②). (Note that each press of the button toggles the display between "Set Up" and "Monitor".)
3. Press the Timer On/Off (Set Day) button ⑨ to set the day. Each press advances the display at ③ to the next setting, in the following sequence: "Sun Mon Tues Wed Thurs Fri Sat" → "Sun" → ... → "Fri" → "Sat" → "Sun Mon Tues Wed Thurs Fri Sat"...
4. Press the ∇ or ∆ Operation button (⑦ or ⑧) as necessary to select the appropriate operation number (1 to 8) ④.
  - \* Your inputs at Steps 3 and 4 will select one of the cells from the matrix illustrated below.
  - (The remote-controller display at left shows how the display would appear when setting Operation 1 for Sunday to the values indicated below.)

### Setup Matrix

Op No.	Sunday	Monday	...	Saturday
No. 1	• 8:30 • ON • 23°C			
No. 2	• 10:00 • OFF	• 10:00 • OFF	• 10:00 • OFF	• 10:00 • OFF
...				
No. 8				

<Operation 1 settings for Sunday>  
Start the air conditioner at 8:30, with the temperature set to 23°C

<Operation 2 settings for every day>  
Turn off the air conditioner at 10:00.

### Note:

By setting the day to "Sun Mon Tues Wed Thurs Fri Sat", you can set the same operation to be carried out at the same time every day. (Example: Operation 2 above, which is the same for all days of the week.)

Shows the time setting ⑤ ⑥ Shows the selected operation (ON or OFF)  
\* Does not appear if operation is not set.

Shows the temperature setting ⑦  
\* Does not appear if temperature is not set.

## 6. Timer

### <Setting the Weekly Timer>

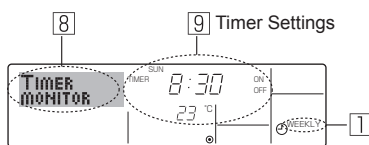
- Press the appropriate Set Time button ⑪ as necessary to set the desired time (at ⑤).
  - \* As you hold the button down, the time first increments in minute intervals, then in ten-minute intervals, and then in one-hour intervals.
- Press the ON/OFF button ① to select the desired operation (ON or OFF) at ⑥.
  - \* Each press changes the next setting, in the following sequence: No display (no setting) → "ON" → "OFF"
- Press the appropriate Set Temperature button ③ to set the desired temperature (at ⑦).
  - \* Each press changes the setting, in the following sequence: No display (no setting) ⇔ 24 ⇔ 25 ⇔ ... ⇔ 29 ⇔ 30 ⇔ 12 ⇔ ... ⇔ 23 ⇔ No display.
  - (Available range: The range for the setting is 12°C to 30°C. The actual range over which the temperature can be controlled, however, will vary according to the type of the connected unit.)
- After making the appropriate settings at Steps 5, 6 and 7, press the Filter ← button ④ to lock in the values.
  - To clear the currently set values for the selected operation, press and quickly release the Check (Clear) button ⑩ once.
  - \* The displayed time setting will change to "—:—", and the On/Off and temperature settings will all disappear.
  - (To clear all weekly timer settings at once, hold down the Check (Clear) button ⑩ for two seconds or more. The display will begin blinking, indicating that all settings have been cleared.)

### Note:

Your new entries will be cancelled if you press the Mode (Return) button ② before pressing the Filter ← button ④. If you have set two or more different operations for exactly the same time, only the operation with the highest Operation No. will be carried out.

- Repeat Steps 3 to 8 as necessary to fill as many of the available cells as you wish.
- Press the mode (Return) button ② to return to the standard control screen and complete the setting procedure.
- To activate the timer, press the Timer On/Off button ⑨, so that the "Timer Off" indication disappears from the screen. **Be sure that the "Timer Off" indication is no longer displayed.**
  - \* If there are no timer settings, the "Timer Off" indication will blink on the screen.

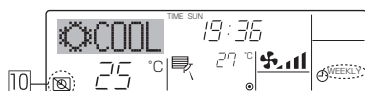
### <How to View the Weekly Timer Settings>



- Be sure that the weekly timer indicator is visible on the screen (at ①).
- Press the Timer Menu button ② so that "Monitor" is indicated on the screen (at ⑧).
- Press the Timer On/Off (Set Day) button ⑨ as necessary to select the day you wish to view.
- Press the ∇ or ∆ Operation button (⑦ or ⑧) as necessary to change the timer operation shown on the display (at ⑨).
  - \* Each press will advance to the next timer operation, in order of time setting.
- To close the monitor and return to the standard control screen, press the Mode (Return) button ②.

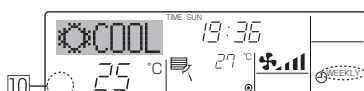
### <To Turn Off the Weekly Timer>

Press the Timer On/Off button ⑨ so that "Timer Off" appears at ⑩.



### <To Turn On the Weekly Timer>

Press the Timer On/Off button ⑨ so that the "Timer Off" indication (at ⑩) goes dark.



### 6.1.2. Simple Timer

You can set the simple timer in any of three ways.

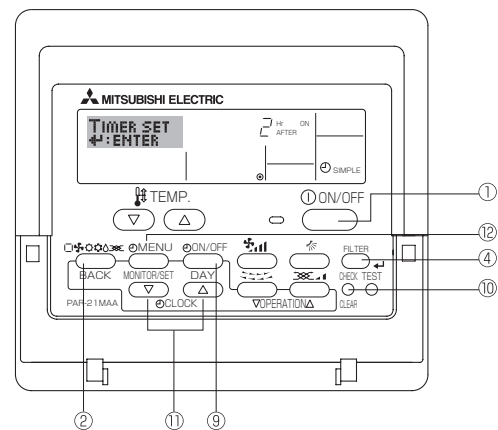
- Start time only:  
The air conditioner starts when the set time has elapsed.
  - Stop time only:  
The air conditioner stops when the set time has elapsed.
  - Start & stop times:  
The air conditioner starts and stops at the respective elapsed times.
- The simple timer (start and stop) can be set only once within a 72-hour period.  
The time setting is made in hour increments.

### Note:

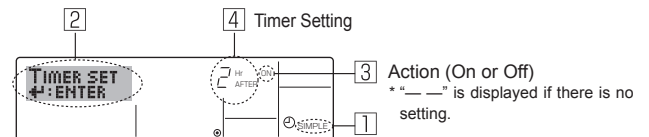
\*1. Weekly Timer/Simple Timer/Auto Off Timer cannot be used at the same time.

\*2. The simple timer will not operate when any of the following conditions is in effect.

The timer is off; the system is in malfunction state; a test run is in progress; the remote controller is undergoing self-check or remote controller check; the user is in the process of selecting a function; the user is in the process of setting the timer; the system is under central control. (Under these conditions, On/Off operation is prohibited.)



### <How to Set the Simple Timer>



- Be sure that you are at a standard control screen, and that the simple timer indicator is visible in the display (at ①).  
When something other than the Simple Timer is displayed, set it to SIMPLE TIMER using the function selection of remote controller (see 8.[4]-3 (3) timer function setting).
- Press the Timer Menu button ②, so that the "Set Up" appears on the screen (at ②). (Note that each press of the button toggles the display between "Set Up" and "Monitor".)
- Press the ON/OFF button ① to display the current ON or OFF simple timer setting. Press the button once to display the time remaining to ON, and then again to display the time remaining to OFF. (The ON/OFF indication appears at ③).
  - "ON" timer:  
The air conditioner will start operation when the specified number of hours has elapsed.
  - "OFF" timer:  
The air conditioner will stop operation when the specified number of hours has elapsed.
- With "ON" or "OFF" showing at ③: Press the appropriate Set Time button ⑪ as necessary to set the hours to ON (if "ON" is displayed) or the hours to OFF (if "OFF" is displayed) at ④.
  - Available Range: 1 to 72 hours
- To set both the ON and OFF times, repeat Steps 3 and 4.
  - \* Note that ON and OFF times cannot be set to the same value.
- To clear the current ON or OFF setting: Display the ON or OFF setting (see step 3) and then press the Check (Clear) button ⑩ so that the time setting clears to "—" at ④. (If you want to use only an ON setting or only an OFF setting, be sure that the setting you do not wish to use is shown as "—".)



## 6. Timer

7. After completing steps 3 to 6 above, press the Filter  $\leftarrow$  button ④ to lock in the value.

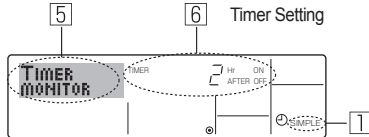
### Note:

Your new settings will be cancelled if you press the Mode (Return) button ② before pressing the Filter  $\leftarrow$  button ④.

8. Press the Mode (Return) button ② to return to the standard control screen.

9. Press the Timer On/Off button ⑨ to start the timer countdown. When the timer is running, the timer value is visible on the display. **Be sure that the timer value is visible and appropriate.**

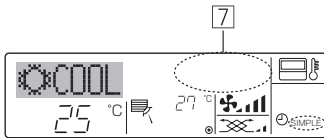
### <Viewing the Current Simple Timer Settings>



1. Be sure that the simple timer indicator is visible on the screen (at ①).
2. Press the Timer Menu button ②, so that the "Monitor" appears on the screen (at ⑤).
  - If the ON or OFF simple timer is running, the current timer value will appear at ⑥.
  - If ON and OFF values have both been set, the two values appear alternately.
3. Press the Mode (Return) button ② to close the monitor display and return to the standard control screen.

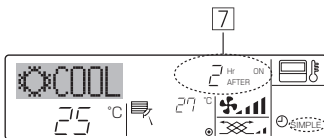
### <To Turn Off the Simple Timer>

Press the Timer On/Off button ⑨ so that the timer setting no longer appears on the screen (at ⑦).



### <To Turn On the Simple Timer>

Press the Timer On/Off button ⑨ so that the timer setting becomes visible at ⑦.

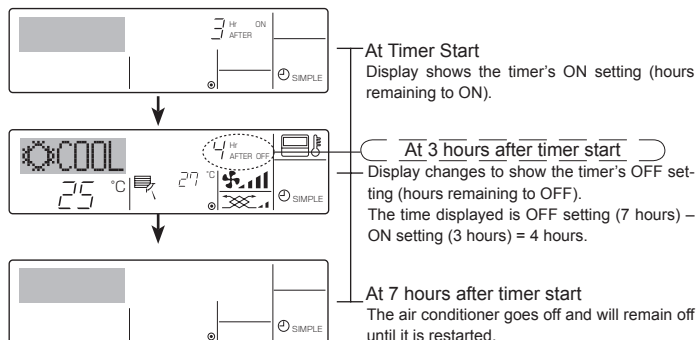


### Examples

If ON and OFF times have both been set at the simple timer, operation and display are as indicated below.

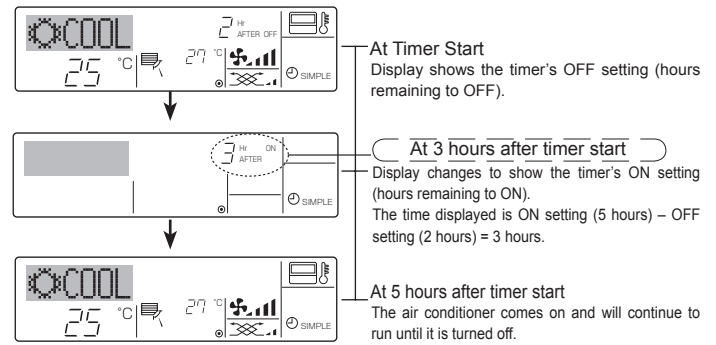
#### Example 1:

Start the timer with ON time set earlier than OFF time  
 ON Setting : 3 hours  
 OFF Setting : 7 hours



#### Example 2:

Start the timer with OFF time set earlier than ON time  
 ON Setting : 5 hours  
 OFF Setting: 2 hours



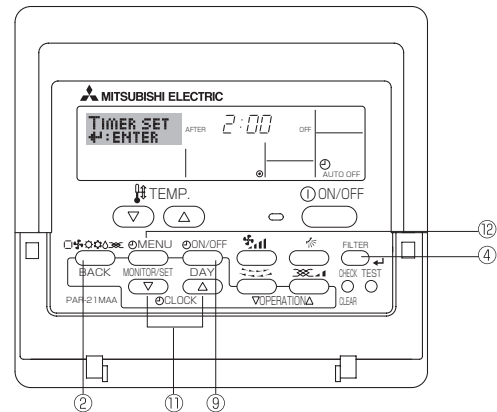
### 6.1.3. Auto Off Timer

- This timer begins countdown when the air conditioner starts and shuts the air conditioner off when the set time has elapsed.
- Available settings run from 30 minutes to 4 hours in 30-minute intervals.

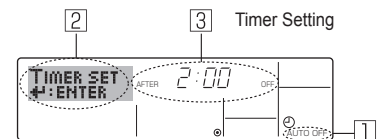
### Note:

- \*1. Weekly Timer/Simple Timer/Auto Off Timer cannot be used at the same time.
- \*2. The Auto Off timer will not operate when any of the following conditions is in effect.

The timer is off; the system is in malfunction state; a test run is in progress; the remote controller is undergoing self-check or remote controller check; the user is in the process of selecting a function; the user is in the process of setting the timer; the system is under central control. (Under these conditions, On/Off operation is prohibited.)



### <How to Set the Auto Off Timer>



1. Be sure that you are at a standard control screen, and that the Auto Off timer indicator is visible in the display (at ①).  
 When something other than the Auto Off Timer is displayed, set it to AUTO OFF TIMER using the function selection of remote controller (see 8.[4]-3 (3)) timer function setting.
2. Hold down the Timer Menu button ② for 3 seconds so that the "Set Up" appears on the screen (at ②).  
 (Note that each press of the button toggles the display between "Set Up" and "Monitor".)
3. Press the appropriate Set Time button ⑩ as necessary to set the OFF time (at ③).
4. Press the Filter  $\leftarrow$  button ④ to lock in the setting.

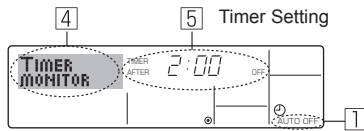
### Note:

- Your entry will be cancelled if you press the Mode (Return) button ② before pressing the Filter  $\leftarrow$  button ④.
- 5. Press the Mode (Return) button ② to complete the setting procedure and return to the standard control screen.
- 6. If the air conditioner is already running, the timer starts countdown immediately. **Be sure to check that the timer setting appears correctly on the display.**



## 6. Timer

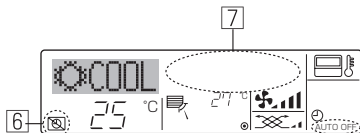
### <Checking the Current Auto Off Timer Setting>



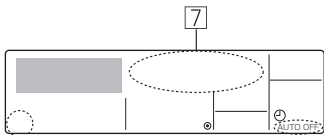
1. Be sure that the "Auto Off" is visible on the screen (at ①).
2. Hold down the Timer Menu button ② for **3 seconds** so that "Monitor" is indicated on the screen (at ④).
  - The timer remaining to shutdown appears at ⑤.
3. To close the monitor and return to the standard control screen, press the Mode (Return) button ②.

### <To Turn Off the Auto Off Timer>

- Hold down the Timer On/Off button ③ for **3 seconds** so that "Timer Off" appears (at ⑥) and the timer value (at ⑦) disappears.

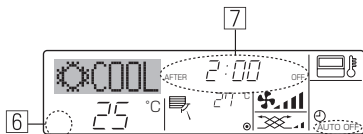


- Alternatively, turn off the air conditioner itself. The timer value (at ⑦) will disappear from the screen.



### <To Turn On the Auto Off Timer>

- Hold down the Timer On/Off button ③ for **3 seconds**. The "Timer Off" indication disappears (at ⑥), and the timer setting comes on the display (at ⑦).
- Alternatively, turn on the air conditioner. The timer value will appear at ⑦.



## 7. Other Functions

### 7.1. Locking the Remote Controller Buttons (Operation function limit controller)

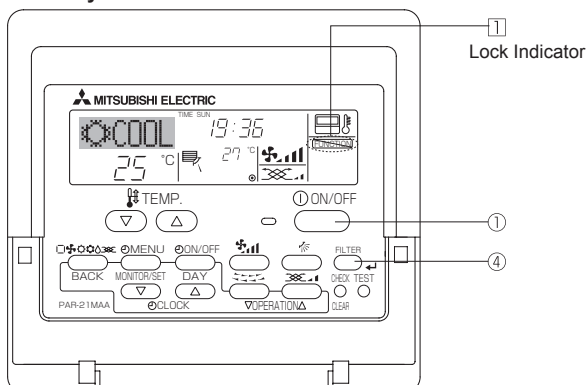
- If you wish, you can lock the remote controller buttons. You can use the Function Selection of remote controller to select which type of lock to use. (For information about selecting the lock type, see section 8, item [4]-2 (1)).

Specifically, you can use either of the following two lock types.

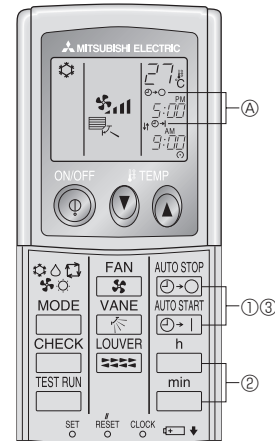
- ① Lock All Buttons:  
Locks all of the buttons on the remote controller.
- ② Lock All Except ON/OFF:  
Locks all buttons other than the ON/OFF button.

#### Note:

The "Locked" indicator appears on the screen to indicate that buttons are currently locked.



### 6.2. For Wireless Remote-controller



- ① Press the or button (TIMER SET).

- Time can be set while the following symbol is blinking.  
OFF timer : is blinking.  
ON timer : is blinking.

- ② Use the and buttons to set the desired time.

- ③ Canceling the timer.

To cancel the OFF timer, press the button.

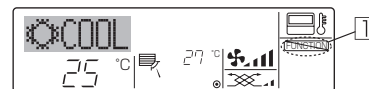
To cancel the ON timer, press the button.

- It is possible to combine both OFF and ON timers.
- Pressing the ① ON/OFF button of the remote controller during timer mode to stop the unit will cancel the timers.
- If the current time has not been set, the timer operation cannot be used.

### <How to Lock the Buttons>

1. While holding down the Filter button ④, press and hold down the ON/OFF button ① for 2 seconds. The "Locked" indication appears on the screen (at ①), indicating that the lock is now engaged.

- \* If locking has been disabled in Function Selection of remote controller, the screen will display the "Not Available" message when you press the buttons as described above.



- If you press a locked button, the "Locked" indication (at ①) will blink on the display.



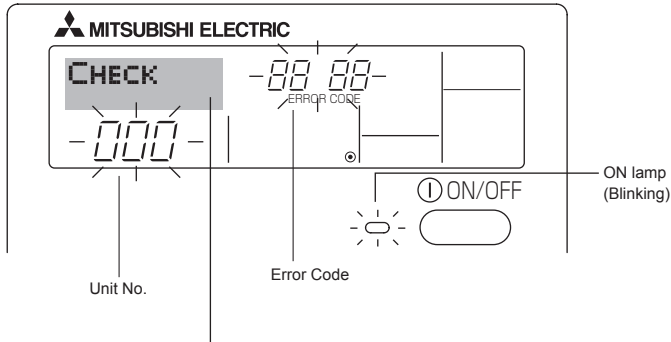
### <How to Unlock the Buttons>

1. While holding down the Filter button ④, press and hold down the ON/OFF button ① for 2 seconds—so that the "Locked" indication disappears from the screen (at ①).



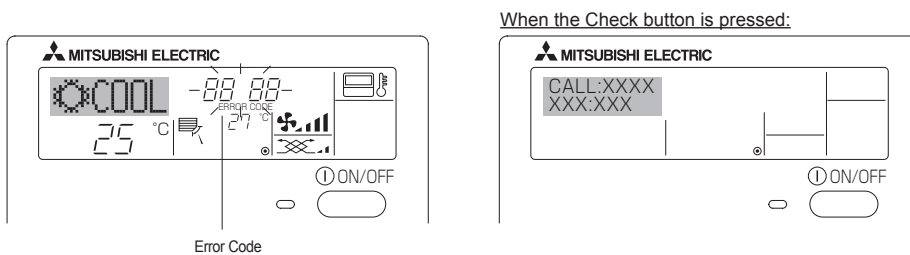
## 7. Other Functions

### 7.2. Error Codes indication



If you have entered contact number to be called in the event of a problem, the screen displays this number.  
(You can set this up under Function Selection of remote controller. For information, refer to section 8.)

- If the ON lamp and error code are both blinking: This means that the air conditioner is out of order and operation has been stopped (and cannot resume). Take note of the indicated unit number and error code, then switch off the power to the air conditioner and call your dealer or servicer.



- If only the error code is blinking (while the ON lamp remains lit): Operation is continuing, but there may be a problem with the system. In this case, you should note down the error code and then call your dealer or servicer for advice.
- \* If you have entered contact number to be called in the event of a problem, push the Check button to display it on the screen. (You can set this up under Function Selection of remote controller. For information, refer to section 8.)

## 8. Function Selection

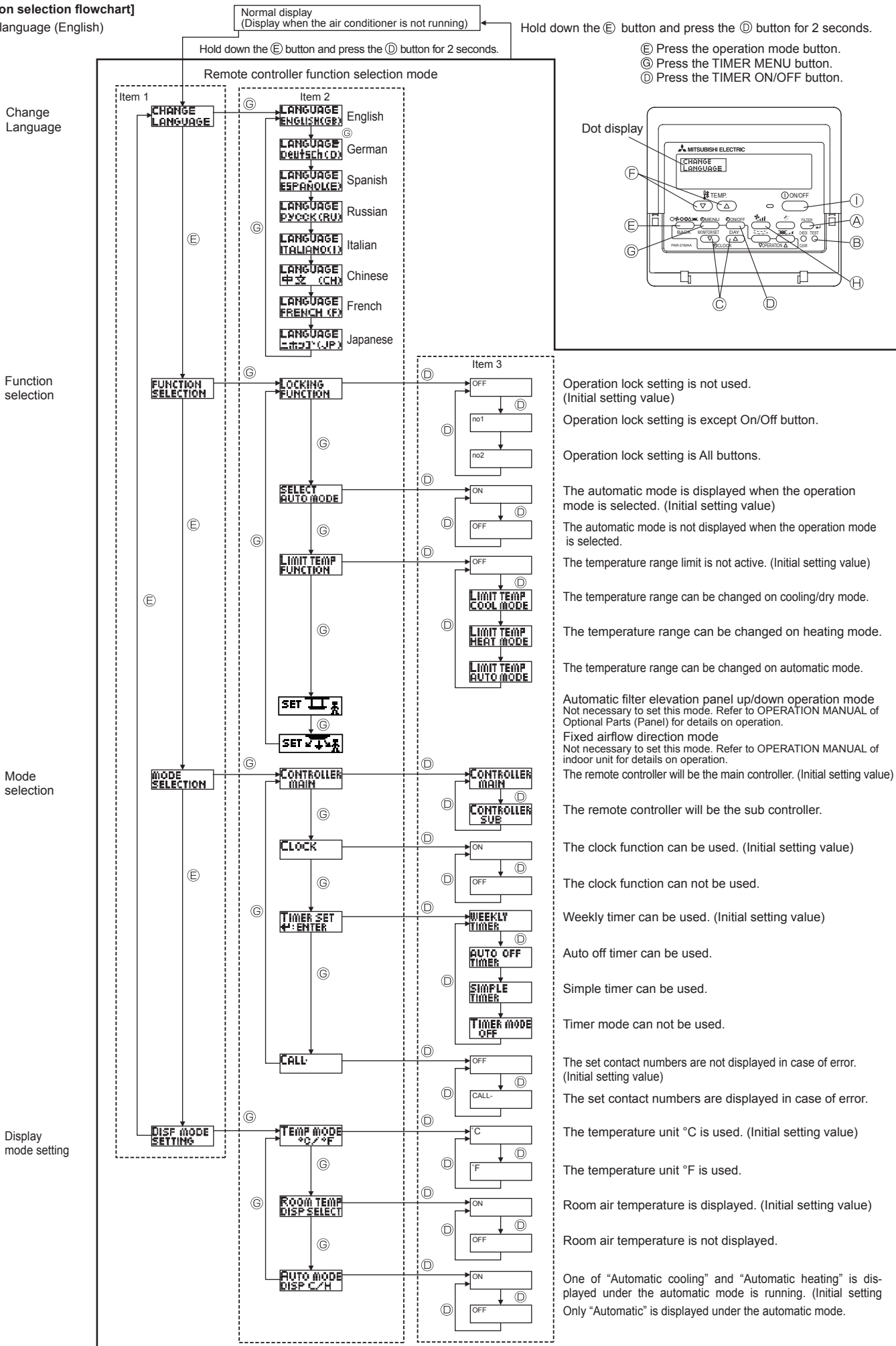
### Function selection of remote controller

The setting of the following remote controller functions can be changed using the remote controller function selection mode. Change the setting when needed.

Item 1	Item 2	Item 3 (Setting content)
1. Change Language ("CHANGE LANGUAGE")	Language setting to display	<ul style="list-style-type: none"> <li>• Display in multiple languages is possible</li> </ul>
2. Function limit ("FUNCTION SELECTION")	(1) Operation function limit setting (operation lock) ("LOCKING FUNCTION")	<ul style="list-style-type: none"> <li>• Setting the range of operation limit (operation lock)</li> </ul>
	(2) Use of automatic mode setting ("SELECT AUTO MODE")	<ul style="list-style-type: none"> <li>• Setting the use or non-use of "automatic" operation mode</li> </ul>
	(3) Temperature range limit setting ("LIMIT TEMP FUNCTION")	<ul style="list-style-type: none"> <li>• Setting the temperature adjustable range (maximum, minimum)</li> </ul>
3. Mode selection ("MODE SELECTION")	(1) Remote controller main/sub setting ("CONTROLLER MAIN/SUB")	<ul style="list-style-type: none"> <li>• Selecting main or sub remote controller</li> <li>* When two remote controllers are connected to one group, one controller must be set to sub.</li> </ul>
	(2) Use of clock setting ("CLOCK")	<ul style="list-style-type: none"> <li>• Setting the use or non-use of clock function</li> </ul>
	(3) Timer function setting ("WEEKLY TIMER")	<ul style="list-style-type: none"> <li>• Setting the timer type</li> </ul>
	(4) Contact number setting for error situation ("CALL.")	<ul style="list-style-type: none"> <li>• Contact number display in case of error</li> <li>• Setting the telephone number</li> </ul>
4. Display change ("DISP MODE SETTING")	(1) Temperature display °C/°F setting ("TEMP MODE °C/°F")	<ul style="list-style-type: none"> <li>• Setting the temperature unit (°C or °F) to display</li> </ul>
	(2) Suction air temperature display setting ("ROOM TEMP DISP SELECT")	<ul style="list-style-type: none"> <li>• Setting the use or non-use of the display of indoor (suction) air temperature</li> </ul>
	(3) Automatic cooling/heating display setting ("AUTO MODE DISP C/H")	<ul style="list-style-type: none"> <li>• Setting the use or non-use of the display of "Cooling" or "Heating" display during operation with automatic mode</li> </ul>

# 8. Function Selection

[Function selection flowchart]  
Setting language (English)



## 8. Function Selection

### [Detailed setting]

#### [4]-1. CHANGE LANGUAGE setting

The language that appears on the dot display can be selected.

- Press the [MENU] button ③ to change the language.
  - ① English (GB), ② German (D), ③ Spanish (E), ④ Russian (RU),
  - ⑤ Italian (I), ⑥ Chinese (CH), ⑦ French (F), ⑧ Japanese (JP)

Refer to the dot display table.

#### [4]-2. Function limit

##### (1) Operation function limit setting (operation lock)

- To switch the setting, press the [ON/OFF] button ①.
  - ① no1 :Operation lock setting is made on all buttons other than the [ON/OFF] button.
  - ② no2 :Operation lock setting is made on all buttons.
  - ③ OFF (Initial setting value): Operation lock setting is not made.
- \* To make the operation lock setting valid on the normal screen, it is necessary to press buttons (Press and hold down the [FILTER] and [ON/OFF] buttons at the same time for two seconds.) on the normal screen after the above setting is made.

##### (2) Use of automatic mode setting

When the remote controller is connected to the unit that has automatic operation mode, the following settings can be made.

- To switch the setting, press the [ON/OFF] button ①.
  - ① ON (Initial setting value):  
The automatic mode is displayed when the operation mode is selected.
  - ② OFF:  
The automatic mode is not displayed when the operation mode is selected.

##### (3) Temperature range limit setting

After this setting is made, the temperature can be changed within the set range.

- To switch the setting, press the [ON/OFF] button ①.
  - ① LIMIT TEMP COOL MODE:  
The temperature range can be changed on cooling/dry mode.
  - ② LIMIT TEMP HEAT MODE:  
The temperature range can be changed on heating mode.
  - ③ LIMIT TEMP AUTO MODE:  
The temperature range can be changed on automatic mode.
  - ④ OFF (initial setting): The temperature range limit is not active.
- \* When the setting, other than OFF, is made, the temperature range limit setting on cooling, heating and automatic mode is made at the same time. However, the range cannot be limited when the set temperature range has not changed.

- To increase or decrease the temperature, press the [TEMP. (▽) or (△)] button ②.
- To switch the upper limit setting and the lower limit setting, press the [TEMP. (▽) or (△)] button ③. The selected setting will blink and the temperature can be set.

##### • Settable range

Cooling/Dry mode:

Lower limit:19°C - 30°C    Upper limit:30°C - 19°C

Heating mode:

Lower limit:17°C - 28°C    Upper limit:28°C - 17°C

Automatic mode:

Lower limit:19°C - 28°C    Upper limit:28°C - 19°C

#### [4]-3. Mode selection setting

##### (1) Remote controller main/sub setting

- To switch the setting, press the [ON/OFF] button ①.
  - ① Main: The controller will be the main controller.
  - ② Sub: The controller will be the sub controller.

##### (2) Use of clock setting

- To switch the setting, press the [ON/OFF] button ①.
  - ① ON: The clock function can be used.
  - ② OFF: The clock function cannot be used.

##### (3) Timer function setting

- To switch the setting, press the [ON/OFF] button ①.(Choose one of the following.).
  - ① WEEKLY TIMER (initial setting value):  
The weekly timer can be used.
  - ② AUTO OFF TIMER:  
The auto off timer can be used.
  - ③ SIMPLE TIMER:  
The simple timer can be used.
  - ④ TIMER MODE OFF:  
The timer mode cannot be used.
- \* When the use of clock setting is OFF, the "WEEKLY TIMER" cannot be used.

##### (4) Contact number setting for error situation

- To switch the setting, press the [ON/OFF] button ①.
  - ① CALL OFF:  
The set contact numbers are not displayed in case of error.
  - ② CALL \*\*\*\* \* \* \* \* \*:  
The set contact numbers are displayed in case of error.  
CALL :  
The contact number can be set when the display is as shown above.
- Setting the contact numbers  
To set the contact numbers, follow the following procedures.  
Move the blinking cursor to set numbers. Press the [TEMP. (▽) and (△)] button ② to move the cursor to the right (left). Press the [CLOCK (▽) and (△)] button ③ to set the numbers.

#### [4]-4. Display change setting

##### (1) Temperature display °C/°F setting

- To switch the setting, press the [ON/OFF] button ①.
  - ① °C: The temperature unit °C is used.
  - ② °F: The temperature unit °F is used.

##### (2) Room air temperature display setting

- To switch the setting, press the [ON/OFF] button ①.
  - ① ON : The room air temperature is displayed.
  - ② OFF: The room air temperature is not displayed.

##### (3) Automatic cooling/heating display setting

- To switch the setting, press the [ON/OFF] button ①.
  - ① ON:  
One of "Automatic cooling" and "Automatic heating" is displayed under the automatic mode is running.
  - ② OFF:  
Only "Automatic" is displayed under the automatic mode.

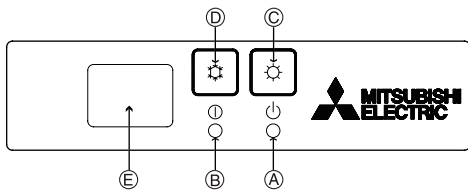
## 8. Function Selection

[Dot display table]

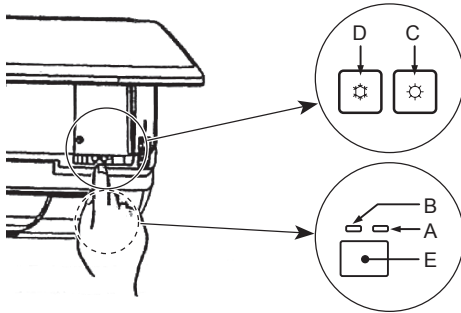
Selecting language		English	German	Spanish	Russian	Italian	Chinese	French	Japanese
Waiting for start-up		PLEASE WAIT	←	←	←	←	←	←	←
Operation mode	Cool	COOL	Kühlen	FRÍO	Холод	COOL	制冷	FROID	冷房
	Dry	DRY	Trocknen	DESHUMIDIFICACIÓN	Сушка	DRY	除湿	DESHU	ドライ
	Heat	HEAT	Heizen	CALOR	Тепло	HEAT	制热	CHAUD	暖房
	Auto	AUTO	AUTO	AUTO MÁTICO	Авто	AUTO	自动	AUTO	自動
	Auto(Cool)	COOL	Kühlen	FRÍO	Холод	COOL	制冷	FROID	冷房
	Auto(Heat)	HEAT	Heizen	CALOR	Тепло	HEAT	制热	CHAUD	暖房
	Fan	FAN	Lüfter	VENTILACIÓN	Вент	VENTILAZIONE	送风	VENTILATION	送風
	Ventilation	VENTILATION	Gelüße Betrieb	VENTILACIÓN	Вентиляция	ARIA ESTERNA	换气	VENTILATION	換気
	Stand by (Hot adjust)	STAND BY	STAND BY	CALENTANDO	ОБОГРЕВ: ПАУЗА	STAND BY	准备中	PRE CHAUFFAGE	準備中
Defrost	DEFROST	Abtauen	DESCONGELACIÓN	ОТТАВЛИВАНИЕ	SERINAMENTO	除霜中	DEGIVRAGE	霜取中	
Set temperature	SET TEMP	TEMP einstellen	TEMP. CONSIGNA	ЦЕЛЕВАЯ ТЕМПЕРАТУРА	IMPOSTAZIONE TEMPERATURA	设定温度	REGLAGE TEMPERATURE	設定温度	
Fan speed	FAN SPEED	Lüftersgeschwindigkeit	VELOCIDAD VENTILADOR	СКОРОСТЬ ВЕНТИЛЯТОРА	VELOCITA' VENTILATORE	风速	VITESSE DE VENTILATION	風速	
Not use button	NOT AVAILABLE	Nicht verfügbar	NO DISPONIBLE	НЕ ДОСТУПНО	NON DISPONIBILE	无效按钮	NON DISPONIBLE	無効ボタン	
Check (Error)	CHECK	Prüfen	COMPROBAR	ПРОВЕРКА	CHECK	检查	CONTROLE	点検	
Test run	TEST RUN	Testbetrieb	TEST FUNCIONAMIENTO	ТЕСТОВЫЙ ЗАПУСК	TEST RUN	试运行	TEST	試運転	
Self check	SELF CHECK	Selbst-diagnose	AUTO REVISIÓN	САМОДИАГНОСТИКА	SELF CHECK	自我诊断	AUTO CONTROLE	自己診断	
Unit function selection	FUNCTION SELECTION	Funktion auswählen	SELECCIÓN DE FUNCIÓN	ВЫБОР ФУНКЦИИ	SELEZIONE FUNZIONI	功能选择	SELECTION FONCTIONS	メニュー選択	
Setting of ventilation	SETTING OF VENTILATION	Lüftestufen wählen	CONFIG. VENTILACIÓN	НАСТРОЙКА ВЕНТИЛЯЦИИ	IMPOSTAZIONE ARIA ESTERNA	换气设定	SELECTION VENTILATION	換気設定	

Selecting language		English	German	Spanish	Russian	Italian	Chinese	French	Japanese
CHANGE LANGUAGE		CHANGE LANGUAGE	←	←	←	←	←	←	←
Function selection	FUNCTION SELECTION	Funktion auswählen	SELECCIÓN DE FUNCIONES	ВЫБОР ФУНКЦИИ	SELEZIONE FUNZIONI	功能限制	SELECTION FONCTIONS	メニュー制限	
Operation function limit setting	LOCKING FUNCTION	Sperre - Funktion	FUNCION BLOQUEADA	ФУНКЦИЯ БЛОКИРОВКИ	BLOCCO FUNZIONI	操作限制	BLOCCAGE FONCTIONS	操作ロック	
Use of automatic mode setting	SELECT AUTO MODE	Auswahl Auto Betrieb	SELECCIÓN MODO AUTO	ВЫБОР РЕЖИМА АВТО	SELEZIONE MODO AUTO	自动模式	SELECTION DU MODO AUTO	自動モード	
Temperature range limit setting	LIMIT TEMP FUNCTION	Limit Temp Funktion	LIMIT TEMP CONSIGNA	ОГРАНИЧЕНИЕ УСТ.ТЕМПЕРАТ	LIMITAZIONE TEMPERATURA	温度限制	LIMITATION TEMPERATURE	温度制限	
Limit temperature cooling/day mode	LIMIT TEMP COOL MODE	Limit Kühl Temp	LIMIT TEMP MODO FRÍO	ОГРАНИЧЕНО Охлаждение	LIMITAZIONE MODO COOL	制冷范围	LIMITE TEMP MODO FROID	制冷冷房	
Limit temperature heating mode	LIMIT TEMP HEAT MODE	Limit Heiz Temp	LIMIT TEMP MODO CALOR	ОГРАНИЧЕН ОБОГРЕВ	LIMITAZIONE MODO HEAT	制热范围	LIMITE TEMP MODO CHAUD	制热暖房	
Limit temperature auto mode	LIMIT TEMP AUTO MODE	Limit Auto Temp	LIMIT TEMP MODO AUTO	ОГРАНИЧЕН РЕЖИМ АВТО	LIMITAZIONE MODO AUTO	自动范围	LIMITE TEMP MODO AUTO	制自动	
Mode selection	MODE SELECTION	Betriebsart wählen	SELECCIÓN DE MODO	ВЫБОР РЕЖИМА	SELEZIONE MODO	基本模式	SELECTION DU MODO	基本メニュー	
Remote controller setting MAIN	CONTROLLER MAIN	Haupf Controller	CONTROL PRINCIPAL	Основной пульт	CONTROLLO MAIN	遥控主	TELCOMMANDE MAITRE	リモコン 主機	
Remote controller setting SUB	CONTROLLER SUB	Neben Controller	CONTROL SECUNDARIO	Дополнительный пульт	CONTROLLO SUB	遥控辅	TELCOMMANDE ESCLAVE	リモコン 主機	
Use of clock setting	CLOCK	Uhr	RELOJ	Часы	OROLOGIO	时钟	AFFICHAGE HORLOGE	時計 ショウ	
Setting the day of the week and time	TIME SET +:ENTER	Uhr stellen +:einstellen	CONFIG RELOJ +:CONFIG	Часы: УСТ. +: ВВОД	OROLOGIO +: ENTER	时间 +: ENTER	HORLOGE +: ENTRER	トイセッテイ +: カブテイ	
Timer set	TIMER SET +:ENTER	Zeitschaltuhr +:einstellen	TEMPORIZA - DOR +:CONFIG	ТАЙМЕР: УСТ. +: ВВОД	TIMER +: ENTER	定时器 +: ENTER	PROG HORAIRES +: ENTRER	タイマーセッテイ +: カブテイ	
Timer monitor	TIMER MONITOR	Uhrzeit Anzeige	VISUALIZAR TEMPORIZAD.	ПРОСМОТР ТАЙМЕРА	VISUALIZ TIMER	定时器状态	AFFICHAGE PROG HORAIRES	タイマーモニター	
Weekly timer	WEEKLY TIMER	Wochenzeit schalt Uhr	TEMPORIZA - DOR SEMANAL	НЕДЕЛЬНЫЙ ТАЙМЕР	TIMER SETTIMANALE	每周定时器	PROG HEBDO MAIRRE	タイマー 週間	
Timer mode off	TIMER MODE OFF	Zeitschaltuhr AUS	TEMPORIZA - DOR APAGADO	ТАЙМЕР ВЫКЛ.	TIMER OFF	定时器无效	PROG HORAIRES INACTIF	タイマー 無効	
Auto off timer	AUTO OFF TIMER	Auto Zeit funktion AUS	APAGADO AUTOMÁTICO	АВТООТКЛ. ПО ТАЙМЕРУ	AUTO OFF TIMER	解除定时	PROG HORAIRES ARRET AUTO	タイマー-アウソフ 消コウ	
Simple timer	SIMPLE TIMER	Einfache Zeitfunktion	TEMPORIZA - DOR SIMPLE	ПРОСТОЙ ТАЙМЕР	TIMER SEMPLIFICATO	简易定时器	PROG HORAIRES SIMPLIE	タイマー-カンイ	
Contact number setting of error situation	CALL	←	←	←	←	←	←	←	
Display change	DISP MODE SETTING	Anzeige Betriebsart	MOSTRAR MODO	НАСТРОЙКА ИНА РЕЖИМА	IMPOSTAZIONE MODO DISPLAY	转换表示	AFFICHAGE SOUS MENU	表示切替	
Temperature display °C/°F setting	TEMP MODE °C/°F	Wechsel °C/°F	TEMPERADOS °C/°F	ЕДИН.ТЕМП. °C/°F	TEMPERATURA °C/°F	温度 °C/°F	TEMPERATURE °C/°F	温度 °C/°F	
Room air temperature display setting	ROOM TEMP DISP SELECT	Room Temp gewahrt	MOSTRAR TEMP	ПОКАЗЫВАТЬ ТЕМП. В КОМН.	TEMPERATURA AMBIENTE	吸入温度	TEMPERATURE AMBIANTE	スイコキョウ トクコウ	
Automatic cooling/heating display setting	AUTO MODE DISP C/H	Auto Betrieb C/H	MOSTRAR F/C EN AUTO	ИНА. Т/Х & РЕЖИМ АВТО	AUTO C/H	自动表示	AFFICHAGE AUTO F/C	自動表示	

## 9. Emergency Operation for Wireless Remote-controller



(For PKFY-P-VHM-E)



### When the remote-controller cannot be used

When the batteries of the remote controller run out or the remote controller malfunctions, the emergency operation can be done using the emergency buttons.

- Ⓐ DEFROST/STAND BY lamp
- Ⓑ Operation lamp
- Ⓒ Emergency operation switch (heating)
- Ⓓ Emergency operation switch (cooling)
- Ⓔ Receiver

### Starting operation

- To operate the cooling mode, press the Ⓓ button for more than 2 seconds.
- To operate the heating mode, press the Ⓒ button for more than 2 seconds.

### Note:

- Details of EMERGENCY mode are as shown below.

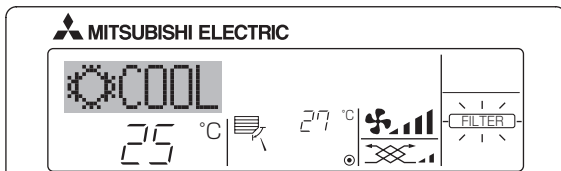
Details of EMERGENCY MODE are as shown below.

Operation mode	COOL	HEAT
Set temperature	24°C	24°C
Fan speed	High	High
Airflow direction	Horizontal	Downward 4 (5)

### Stopping operation

- To stop operation, press the Ⓓ button or the Ⓒ button for more than 2 seconds.

## 10. Care and Cleaning



- Indicates that the filter needs cleaning.  
Clean the filter.

- When resetting "FILTER" display  
When the [FILTER] button is pressed two times successively after cleaning the filter, the display goes off and is reset.

### Note:

- When 2 or more different types of indoor unit are controlled, the cleaning period differs with the type of filter. When the master unit cleaning period arrives, "FILTER" is displayed. When the filter display goes off, the cumulative time is reset.
- "FILTER" indicates the cleaning period when the air conditioner was used under general indoor air conditions by criteria time. Since the degree of dirtiness depends on the environmental conditions, clean the filter accordingly.
- The filter cleaning period cumulative time differs with the model.
- This indication is not available for wireless remote controller.

### ► Cleaning the filters

- Clean the filters using a vacuum cleaner. If you do not have a vacuum cleaner, tap the filters against a solid object to knock off dirt and dust.
- If the filters are especially dirty, wash them in lukewarm water. Take care to rinse off any detergent thoroughly and allow the filters to dry completely before putting them back into the unit.

### ⚠ Caution:

- Do not dry the filters in direct sunlight or by using a heat source, such as an electric heater: this may warp them.
- Do not wash the filters in hot water (above 50°C), as this may warp them.
- Make sure that the air filters are always installed. Operating the unit without air filters can cause malfunction.

### ⚠ Caution:

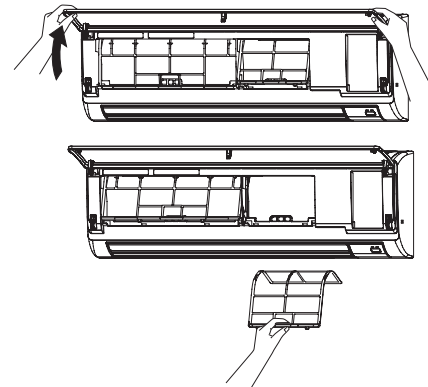
- Before you start cleaning, stop operation and turn OFF the power supply.
- Indoor units are equipped with filters to remove the dust of sucked-in air. Clean the filters using the methods shown in the following sketches.

### ► Filter removal

#### ⚠ Caution:

- In removing the filter, precautions must be taken to protect your eyes from dust. Also, if you have to climb up on a stool to do the job, be careful not to fall.
- When the filter is removed, do not touch the metallic parts inside the indoor unit, otherwise injury may result.

- PKFY-P-VBM-E  
PKFY-P-VHM-E

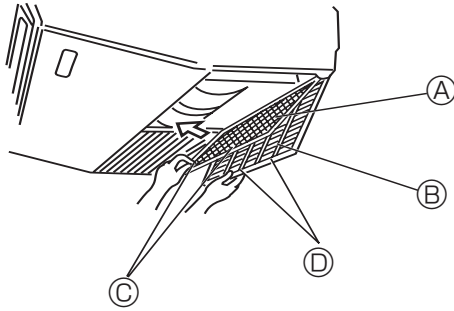


- ① Pull both the bottom corners of the intake grille to open the grille, then lift the filter.



## 10. Care and Cleaning

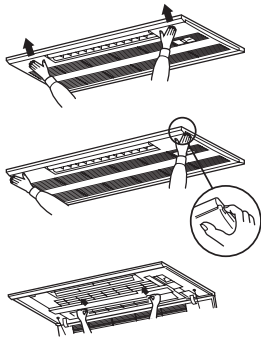
### ■ PCFY-P-VKM-E



- ① Open the intake grille.
- ② Hold the knob on the filter then pull the filter up in the direction of an arrow. To replace the filter after cleaning, be sure to insert the filter far enough until it fits into the stopper.

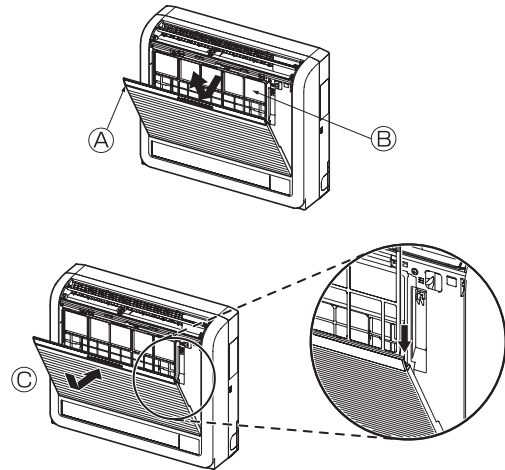
Ⓐ Filter    Ⓑ Intake Grille    Ⓒ Knob    Ⓓ Stopper

### ■ PMFY-P-VBM-E



- ① Pressing the PUSH button on the outer side of the intake grille causes the intake grille to open.
- ② A filter with an intake grille on it can be removed by pulling the filter forward.

### ■ PFFY-P-VKM-E(2)







- ① Remove the catechin air filter.
  - Ⓐ Open the front grille
  - Ⓑ Catechin air filter

#### ⚠ Caution:

**When the catechin air filter is to be removed, do not touch the metal parts of the indoor unit. This may cause an injury.**

- ② Install the catechin air filter. Be sure to install its both ends into the tabs as shown.
- Ⓒ Install
- ③ Securely close the front grille.

## 11. Trouble Shooting

Having trouble?	Here is the solution. (Unit is operating normally.)
Air conditioner does not heat or cool well.	<ul style="list-style-type: none"> <li>■ Clean the filter. (Airflow is reduced when the filter is dirty or clogged.)</li> <li>■ Check the temperature adjustment and adjust the set temperature.</li> <li>■ Make sure that there is plenty of space around the outdoor unit. Is the indoor unit air intake or outlet blocked?</li> <li>■ Has a door or window been left open?</li> </ul>
When heating operation starts, warm air does not blow from the indoor unit soon.	<ul style="list-style-type: none"> <li>■ Warm air does not blow until the indoor unit has sufficiently warmed up.</li> </ul>
During heating mode, the air conditioner stops before the set room temperature is reached.	<ul style="list-style-type: none"> <li>■ When the outdoor temperature is low and the humidity is high, frost may form on the outdoor unit. If this occurs, the outdoor unit performs a defrosting operation. Normal operation should begin after approximately 10 minutes.</li> </ul>
Airflow direction changes during operation or airflow direction cannot be set.	<ul style="list-style-type: none"> <li>■ During cooling mode, the vanes automatically move to the horizontal (down) position after 1 hour when the down (horizontal) airflow direction is selected. This is to prevent water from forming and dripping from the vanes.</li> <li>■ During heating mode, the vanes automatically move to the horizontal airflow direction when the airflow temperature is low or during defrosting mode.</li> </ul>
When the airflow direction is changed, the vanes always move up and down past the set position before finally stopping at the position.	<ul style="list-style-type: none"> <li>■ When the airflow direction is changed, the vanes move to the set position after detecting the base position.</li> </ul>
A flowing water sound or occasional hissing sound is heard.	<ul style="list-style-type: none"> <li>■ These sounds can be heard when refrigerant is flowing in the air conditioner or when the refrigerant flow is changing.</li> </ul>
A cracking or creaking sound is heard.	<ul style="list-style-type: none"> <li>■ These sounds can be heard when parts rub against each other due to expansion and contraction from temperature changes.</li> </ul>
The room has an unpleasant odor.	<ul style="list-style-type: none"> <li>■ The indoor unit draws in air that contains gases produced from the walls, carpeting, and furniture as well as odors trapped in clothing, and then blows this air back into the room.</li> </ul>
A white mist or vapor is emitted from the indoor unit.	<ul style="list-style-type: none"> <li>■ If the indoor temperature and the humidity are high, this condition may occur when operation starts.</li> <li>■ During defrosting mode, cool airflow may blow down and appear like a mist.</li> </ul>
Water or vapor is emitted from the outdoor unit.	<ul style="list-style-type: none"> <li>■ During cooling mode, water may form and drip from the cool pipes and joints.</li> <li>■ During heating mode, water may form and drip from the heat exchanger.</li> <li>■ During defrosting mode, water on the heat exchanger evaporates and water vapor may be emitted.</li> </ul>
The operation indicator does not appear in the remote controller display.	<ul style="list-style-type: none"> <li>■ Turn on the power switch. "●" will appear in the remote controller display.</li> </ul>
The air conditioner does not operate even though the ON/OFF button is pressed. The operation mode display on the remote controller disappears.	<ul style="list-style-type: none"> <li>■ Is the power switch of the indoor unit turned off? Turn on the power switch.</li> </ul>
"  appears in the remote controller display.	<ul style="list-style-type: none"> <li>■ During central control, " appears in the remote controller display and air conditioner operation cannot be started or stopped using the remote controller.</li> </ul>
When restarting the air conditioner soon after stopping it, it does not operate even though the ON/OFF button is pressed.	<ul style="list-style-type: none"> <li>■ Wait approximately three minutes. (Operation has stopped to protect the air conditioner.)</li> </ul>
Air conditioner operates without the ON/OFF button being pressed.	<ul style="list-style-type: none"> <li>■ Is the on timer set? Press the ON/OFF button to stop operation.</li> <li>■ Is the air conditioner connected to a central remote controller? Consult the concerned people who control the air conditioner.</li> <li>■ Does " appear in the remote controller display? Consult the concerned people who control the air conditioner.</li> <li>■ Has the auto recovery feature from power failures been set? Press the ON/OFF button to stop operation.</li> </ul>
Air conditioner stops without the ON/OFF button being pressed.	<ul style="list-style-type: none"> <li>■ Is the off timer set? Press the ON/OFF button to restart operation.</li> <li>■ Is the air conditioner connected to a central remote controller? Consult the concerned people who control the air conditioner.</li> <li>■ Does " appear in the remote controller display? Consult the concerned people who control the air conditioner.</li> </ul>
Remote controller timer operation cannot be set.	<ul style="list-style-type: none"> <li>■ Are timer settings invalid? If the timer can be set, (WEEKLY), (SIMPLE) or (AUTO OFF) appears in the remote controller display.</li> </ul>
"PLEASE WAIT" appears in the remote controller display.	<ul style="list-style-type: none"> <li>■ The initial settings are being performed. Wait approximately 3 minutes.</li> </ul>
An error code appears in the remote controller display.	<ul style="list-style-type: none"> <li>■ The protection devices have operated to protect the air conditioner.</li> <li>■ Do not attempt to repair this equipment by yourself. Turn off the power switch immediately and consult your dealer. Be sure to provide the dealer with the model name and information that appeared in the remote controller display.</li> </ul>
Draining water or motor rotation sound is heard.	<ul style="list-style-type: none"> <li>■ When cooling operation stops, the drain pump operates and then stops. Wait approximately 3 minutes.</li> </ul>

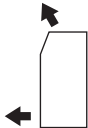
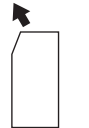
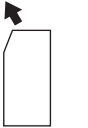
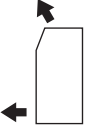
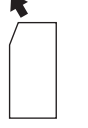
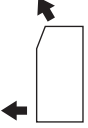
# 11. Trouble Shooting

Having trouble?	Here is the solution. (Unit is operating normally.)												
Noise is louder than specifications.	<p>■ The indoor operation sound level is affected by the acoustics of the particular room as shown in the following table and will be higher than the noise specification, which was measured in an echo-free room.</p> <table border="1"> <thead> <tr> <th></th> <th>High sound-absorbing rooms</th> <th>Normal rooms</th> <th>Low sound-absorbing rooms</th> </tr> </thead> <tbody> <tr> <td>Location examples</td> <td>Broadcasting studio, music room, etc.</td> <td>Reception room, hotel lobby, etc.</td> <td>Office, hotel room</td> </tr> <tr> <td>Noise levels</td> <td>3 to 7 dB</td> <td>6 to 10 dB</td> <td>9 to 13 dB</td> </tr> </tbody> </table>		High sound-absorbing rooms	Normal rooms	Low sound-absorbing rooms	Location examples	Broadcasting studio, music room, etc.	Reception room, hotel lobby, etc.	Office, hotel room	Noise levels	3 to 7 dB	6 to 10 dB	9 to 13 dB
	High sound-absorbing rooms	Normal rooms	Low sound-absorbing rooms										
Location examples	Broadcasting studio, music room, etc.	Reception room, hotel lobby, etc.	Office, hotel room										
Noise levels	3 to 7 dB	6 to 10 dB	9 to 13 dB										
Nothing appears in the wireless remote controller display, the display is faint, or signals are not received by the indoor unit unless the remote controller is close.	<p>■ The batteries are low. Replace the batteries and press the Reset button.</p> <p>■ If nothing appears even after the batteries are replaced, make sure that the batteries are installed in the correct directions (+, -).</p>												
The operation lamp near the receiver for the wireless remote controller on the indoor unit is blinking.	<p>■ The self diagnosis function has operated to protect the air conditioner.</p> <p>■ Do not attempt to repair this equipment by yourself. Turn off the power switch immediately and consult your dealer. Be sure to provide the dealer with the model name.</p>												
Warm air blows from the indoor unit intermittently when heating mode is off or during fan mode.	<p>■ When another indoor unit is operating in heating mode, the control valve opens and closes occasionally to maintain stability in the air conditioning system. This operation will stop after a while.</p> <p>* If this will cause an undesirable rise in the room temperature in small rooms, etc., stop the operation of the indoor unit temporarily.</p>												
The damper opens and closes automatically. (For PFFY-P-VKM-E series)	<p>■ The damper is automatically controlled by a microcomputer according to the air flow temperature and operation time of the air conditioner.</p>												

### ► Air outlet control (PFFY-P-VKM-E series)

This unit is automatically controlled that air comes out simultaneously from the upper and lower air outlets so that the room can be cooled or heated effectively.

#### Description of operation

Operation	COOL		DRY	HEAT		FAN
Air flow						
	Upper and lower air flow	Upper air flow	Upper air flow only	Upper and lower air flow	Upper air flow	Upper and lower air flow
Conditions	Room temperature and set temperature are different.	Room temperature is close to set temperature or thermo-off.	—	(Normal condition (in heating))	During defrosting operation, start of operation, thermo-off	—

- Be sure to keep the area around the damper of the lower air outlet free of any objects.  
This unit can be set to blow out air from the upper air outlet only by changing the switch setting on the address board (ask the dealer).

#### Range of application

The range of working temperatures for both the indoor and outdoor units of the series Y, R2, Multi-S is as below.

#### ⚠ Warning:

If the air conditioner operates but does not cool or heat (depending on model) the room, consult your dealer since there may be a refrigerant leak. Be sure to ask the service representative whether there is refrigerant leakage or not when repairs are carried out. The refrigerant charged in the air conditioner is safe. Refrigerant normally does not leak. However, if refrigerant gas leaks indoors, and comes into contact with the fire of a fan heater, space heater, stove, etc., harmful substances will be generated.

## 12. Specifications

### ■ PCFY-P-VKM-E Series

Model	P40	P63	P100	P125
Power source (Voltage<V>/Frequency)	<Hz> ~/N 220-230-240/50, 220/60			
Capacity (Cooling/Heating)	<kW> 4.5/5.0	7.1/8.0	11.2/12.5	14.0/16.0
Dimension (Height)	<mm> 230			
Dimension (Width)	<mm> 960	1280	1600	
Dimension (Depth)	<mm> 680			
Net weight	<kg> 24	32	36	38
Fan Airflow rate (Low-Middle2-Middle1-High)	<m <sup>3</sup> /min> 10-11-12-13	14-15-16-18	21-24-26-28	21-24-27-31
Noise level (Low-Middle2-Middle1-High)	<dB> 29-32-34-36	31-33-35-37	36-39-41-43	36-39-42-44

#### Note

\* Operation temperature of indoor unit.

Cooling mode: 15°CWB - 24°CWB

Heating mode: 15°CDB - 27°CDB

\*1 Cooling/Heating capacity indicates the maximum value at operation under the following condition.

Cooling: Indoor 27 °C DB/19°C WB, Outdoor 35 °C DB

Heating: Indoor 20 °C DB, Outdoor 7 °C DB/6 °C WB

### ■ PKFY-P-VBM-E Series

### ■ PKFY-P-VHM-E Series

Model	P15	P20	P25	P32	P40	P50
Power source (Voltage<V>/Frequency)	<Hz> ~/N 220-230-240/50, 220/60					
Capacity (Cooling/Heating)	<kW> 1.7/1.9	2.2/2.5	2.8/3.2	3.6/4.0	4.5/5.0	5.6/6.3
Dimension (Height)	<mm> 295			<mm> 295		
Dimension (Width)	<mm> 815			<mm> 898		
Dimension (Depth)	<mm> 225			<mm> 249		
Net weight	<kg> 10			<kg> 13		
Fan Airflow rate (Low-Middle2-Middle1-High)	<m <sup>3</sup> /min> 4.9-5.0-5.2-5.3	4.9-5.2-5.6-5.9		9-10-11	9-10.5-11.5	9-10.5-12
Noise level (Low-Middle2-Middle1-High)	<dB> 29-31-32-33	29-31-34-36		34-37-41	34-38-41	34-39-43

#### Note

\* Operation temperature of indoor unit.

Cooling mode: 15°CWB - 24°CWB

Heating mode: 15°CDB - 27°CDB

\*1 Cooling/Heating capacity indicates the maximum value at operation under the following condition.

Cooling: Indoor 27 °C DB/19°C WB, Outdoor 35 °C DB

Heating: Indoor 20 °C DB, Outdoor 7 °C DB/6 °C WB

### ■ PMFY-P-VBM-E Series

Model	P20	P25	P32	P40
Power source (Voltage<V>/Frequency)	<Hz> ~/N 220-230-240/50, 220/60			
Capacity (Cooling/Heating)	<kW> 2.2/2.5	2.8/3.2	3.6/4.0	4.5/5.0
Dimension (Height)	<mm> 230 (30)			
Dimension (Width)	<mm> 854 (1000)			
Dimension (Depth)	<mm> 395 (470)			
Net weight	<kg> 14 (3.0)			
Fan Airflow rate (Low-Middle2-Middle1-High)	<m <sup>3</sup> /min> 6.5-7.2-8.0-8.6	7.3-8.0-8.6-9.3		7.7-8.7-9.7-10.7
Noise level (Low-Middle2-Middle1-High)	<dB> 27-30-33-36	32-34-36-37		33-35-37-39

#### Note

\* Operation temperature of indoor unit.

Cooling mode: 15°CWB - 24°CWB

Heating mode: 15°CDB - 27°CDB

\*1 Cooling/Heating capacity indicates the maximum value at operation under the following condition.

Cooling: Indoor 27 °C DB/19 °C WB, Outdoor 35 °C DB

Heating: Indoor 20 °C DB, Outdoor 7 °C DB/6 °C WB

\*2 This figure ( ) indicates panel's.

### ■ PFFY-P-VKM-E Series

Model	P20	P25	P32	P40
Power source (Voltage<V>/Frequency)	<Hz> ~/N 220-230-240/50			
Capacity (Cooling/Heating)	<kW> 2.2/2.5	2.8/3.2	3.6/4.0	4.5/5.0
Dimension (Height)	<mm> 600			
Dimension (Width)	<mm> 700			
Dimension (Depth)	<mm> 200			
Net weight	<kg> 14			
Fan Airflow rate (Low-Middle2-Middle1-High)	<m <sup>3</sup> /min> 5.9-6.8-7.6-8.7	6.1-7.0-8.0-9.1		8.0-9.0-9.5-10.7
Noise level (Low-Middle2-Middle1-High)	<dB> 27-31-34-37	28-32-35-38		35-38-42-44

#### Note

\* Operation temperature of indoor unit.

Cooling mode: 15°CWB - 24°CWB

Heating mode: 15°CDB - 27°CDB

\*1 Cooling/Heating capacity indicates the maximum value at operation under the following condition.

Cooling: Indoor 27 °C DB/19 °C WB, Outdoor 35 °C DB

Heating: Indoor 20 °C DB, Outdoor 7 °C DB/6 °C WB

# Inhaltsverzeichnis

1. Sicherheitsvorkehrungen	21	7. Weitere Funktionen	30
2. Bezeichnungen der Teile	22	8. Funktionsauswahl	31
3. Bildschirmkonfiguration	25	9. Notbetrieb bei schnurloser Fernbedienung	35
4. Einstellen des Wochentags und der Zeit	25	10. Pflege und Reinigung	35
5. Bedienung	25	11. Fehlerbehebung	37
6. Timer	27	12. Technische Daten	39

Dieses Kennzeichnungssymbol gilt nur für EU-Länder.

Dieses Kennzeichnungssymbol entspricht der Richtlinie 2002/96/EG Artikel 10 Information für die Nutzer und Anhang IV, und/oder der Richtlinie 2006/66/EG Artikel 20 Information für die Endnutzer und Anhang II.

Ihr MITSUBISHI ELECTRIC-Produkt wurde unter Einsatz von qualitativ hochwertigen Materialien und Komponenten konstruiert und gefertigt, die für Recycling und/oder Wiederverwendung geeignet sind. Dieses Symbol bedeutet, dass elektrische und elektronische Geräte sowie Batterien und Akkus am Ende ihrer Nutzungsdauer von Hausmüll getrennt zu entsorgen sind. Wenn ein chemisches Symbol unterhalb des Symbols (Fig. 1), bedeutet dies, dass die Batterie bzw. der Akku ein Schwermetall in einer bestimmten Konzentration enthält.

Dies wird wie folgt angegeben: Hg: Quecksilber (0,0005 %), Cd: Cadmium (0,002 %), Pb: Blei (0,004 %)

In der Europäischen Union gibt es unterschiedliche Sammelsysteme für gebrauchte Elektrik- und Elektronikgeräte einerseits sowie Batterien und Akkus andererseits. Bitte entsorgen Sie dieses Gerät, Batterien und Akkus vorschriftsmäßig bei Ihrer kommunalen Sammelstelle oder im örtlichen Recycling-Zentrum. Bitte helfen Sie uns, die Umwelt zu erhalten, in der wir leben!



Fig.1

Hinweis:

Der Begriff "Verdrahte Fernbedienung" in dieser Bedienungsanleitung bezieht sich auf den PAR-21MAA.

Entnehmen Sie weitere Informationen zur anderen Fernbedienung dem in diesem Paket beiliegenden Bedienungshandbuch.

## 1. Sicherheitsvorkehrungen

- ▶ Vor dem Einbau der Anlage vergewissern, daß Sie alle Informationen über "Sicherheitsvorkehrungen" gelesen haben.
- ▶ Die "Sicherheitsvorkehrungen" enthalten sehr wichtige Sicherheitsgesichtspunkte. Sie sollten sie unbedingt befolgen.
- ▶ Vor Anschluß an das System Mitteilung an Stromversorgungsunternehmen machen oder dessen Genehmigung einholen.

### Im Text verwendete Symbole

⚠ **Warnung:**

Beschreibt Vorkehrungen, die beachtet werden sollten, um den Benutzer vor der Gefahr von Verletzungen oder tödlicher Unfälle zu bewahren.

⚠ **Vorsicht:**

Beschreibt Vorkehrungen, die beachtet werden sollten, damit an der Anlage keine Schäden entstehen.

### In den Abbildungen verwendete Symbole

Ⓧ : Verweist auf einen Teil der Anlage, der geerdet werden muß.

⚠ **Warnung:**

- Diese Geräte sind nicht allgemein zugänglich.
- Die Anlage sollte nicht vom Benutzer eingebaut werden. Bitten Sie Ihren Händler oder eine Vertragswerkstatt, die Anlage einzubauen. Wenn die Anlage unsachgemäß eingebaut wurde, kann Wasser auslaufen, können Stromschläge erfolgen, oder es kann Feuer ausbrechen.
- Nicht auf die Anlage stellen oder Gegenstände darauf ablegen.
- Kein Wasser über die Anlage spritzen und die Anlage auch nicht mit nassen Händen berühren. Dies kann zu Stromschlägen führen.
- Keine Gasheizung oder sonstige Geräte mit offenen Flammen in Bereichen abstellen, an denen Luft aus der Anlage ausströmt. Unvollständige Verbrennung kann die Folge sein.
- Keine Gasheizung oder sonstige Geräte mit offenen Flammen in Bereichen abstellen, an denen Luft aus der Anlage ausströmt. Unvollständige Verbrennung kann die Folge sein.
- Wenn die Anlage läuft, nicht die Frontplatte oder den Gebläseschutz von der Außenanlage abnehmen.
- Wenn das Geräusch oder die Vibrationen anders als normal oder besonders stark sind, den Betrieb einstellen, den Hauptschalter ausschalten, und das Verkaufsgeschäft um Hilfe bitten.
- Versuchen Sie niemals, das Gerät selbst zu reparieren oder zu einem anderen Standort zu transportieren.
- Niemals die Finger, Stöcke etc. in die Ansaug- oder Austrittsöffnungen stecken.
- Wenn Sie merkwürdige Gerüche feststellen, sollten Sie die Anlage nicht mehr benutzen, den Strom abschalten und sich an Ihren Kundendienst wenden, da sonst schwere Defekte an der Anlage, ein Stromschlag oder ein Brand verursacht werden können.

⚠ **Vorsicht:**

- Zum Drücken der Tasten keine scharfen Gegenstände benutzen, da dadurch die Fernbedienung beschädigt werden kann.
- Die Ansaug- oder Austrittsöffnungen weder der Innen- noch der Außenanlage blockieren oder abdecken.
- Wischen Sie die Fernbedienung auf keinen Fall mit Benzin, Verdünnern oder chemisch behandelten Tüchern usw. ab.
- Betreiben Sie das Gerät nicht über längere Zeit in hoher Luftfeuchtigkeit, z. B. bei offenen Türen oder Fenstern. Wird das Gerät längere Zeit in einem Raum mit hoher Luftfeuchtigkeit (80 % RH oder mehr) im Kühlmodus betrieben, kann das in der Klimaanlage angesammelte Kondenswasser heruntertropfen und Möbel usw. benetzen oder beschädigen.

- Diese Klimaanlage darf NICHT von Kindern oder unsicheren Personen ohne Aufsicht benutzt werden.
- Kleine Kinder müssen beaufsichtigt werden, um sicherzustellen, daß sie nicht an der Klimaanlage herumspielen.
- Wenn gasförmiges oder flüssiges Kühlmittel entweicht, die Klimaanlage abstellen, den Raum ausreichend lüften und das Verkaufsgeschäft benachrichtigen.
- Dieses Gerät ist nicht zur Verwendung durch Personen (einschließlich Kindern) mit reduzierten körperlichen, sensorischen oder mentalen Fähigkeiten oder mangelnden Erfahrungen oder Kenntnissen vorgesehen, es sei denn, sie werden durch eine für ihre Sicherheit verantwortliche Person beaufsichtigt oder wurden von dieser in der Verwendung des Geräts unterwiesen.
- Beim Installieren oder Umsetzen oder Warten der Klimaanlage darf nur das angegebene Kühlmittel (R410A) zur Befüllung der Kältemittelleitungen verwendet werden. Vermischen Sie es nicht mit anderem Kühlmittel und lassen Sie nicht zu, dass Luft in den Leitungen zurückbleibt. Wenn sich Luft mit dem Kühlmittel vermischt, kann dies zu einem ungewöhnlich hohen Druck in der Kältemittelleitung führen und eine Explosion oder andere Gefahren verursachen. Die Verwendung eines anderen als des für das System angegebenen Kühlmittels führt zu mechanischem Versagen, einer Fehlfunktion des Systems oder einer Beschädigung des Geräts. Im schlimmsten Fall kann sie ein schwerwiegendes Hindernis für die Aufrechterhaltung der Produktsicherheit darstellen.

- Berühren Sie nicht die obere Luftauslassklappe oder den unteren Luftauslassdämpfer während des Betriebs. Anderenfalls kann sich Kondensation bilden und der Betrieb des Gerätes unterbrochen werden.

### Die Anlage entsorgen

Zum Entsorgen des Gerätes wenden Sie sich an Ihren Kundendienst.

## 2. Bezeichnungen der Teile

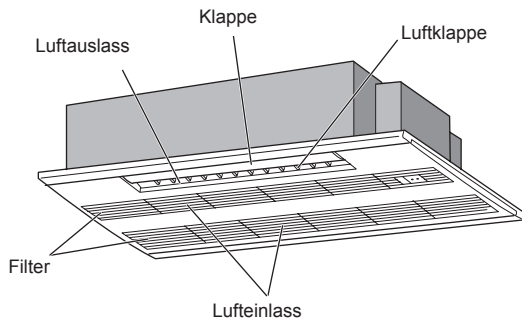
### ■ Inneneinheit

		PKFY-P-VBM-E	PKFY-P-VHM-E	PCFY-P-VKM-E	PMFY-P-VBM-E	PFFY-P-VKM-E(2)
Gebläsegeschwindigkeit		4 Geschwindigkeit	3 Geschwindigkeit+Autom.*	4 Geschwindigkeit+Autom.*	4 Geschwindigkeit	4 Geschwindigkeit
Klappe	Stufen	4 Stufen	5 Stufen	5 Stufen	4 Stufen	4 Stufen
	Autom. Schwenken	×	○	○	○	○
Luftklappe		Manuell	Manuell	Manuell	Manuell	Manuell
Filter		Normal	Normal	Langlebig	Normal	Normal
Reinigungsempfehlung für Filter		100 Std.	100 Std.	2,500 Std.	100 Std.	100 Std.

\* Diese Bedienung ist nur durch Verwendung der Fernbedienung möglich, die die Gebläsegeschwindigkeit auf "Autom." stellen kann.

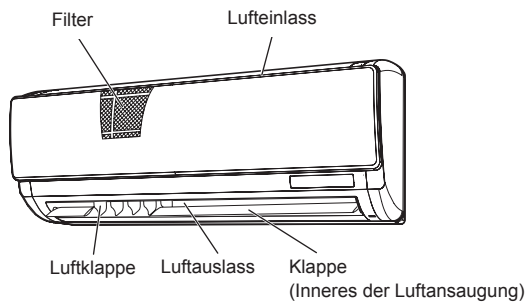
### ■ PMFY-P-VBM-E

1-Wege-Deckenkassette



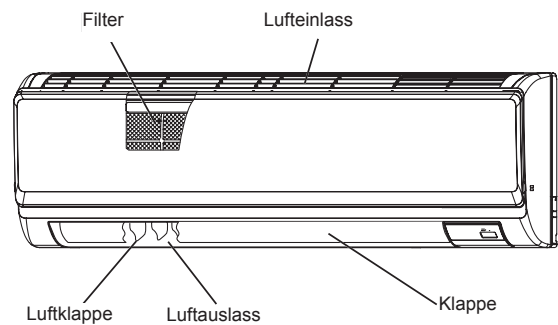
### ■ PKFY-P-VBM-E

Wandgerät



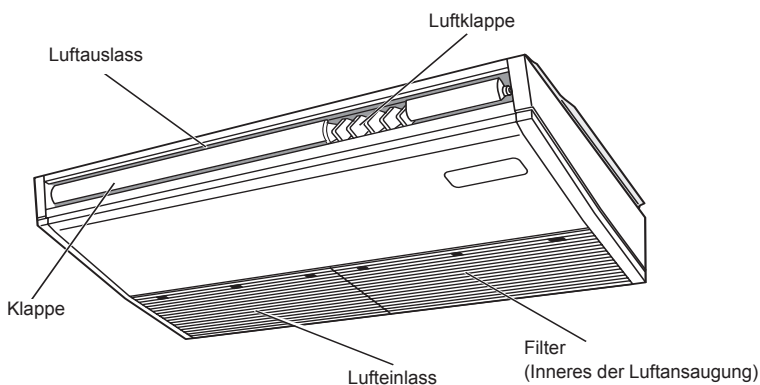
### ■ PKFY-P-VHM-E

Wandgerät



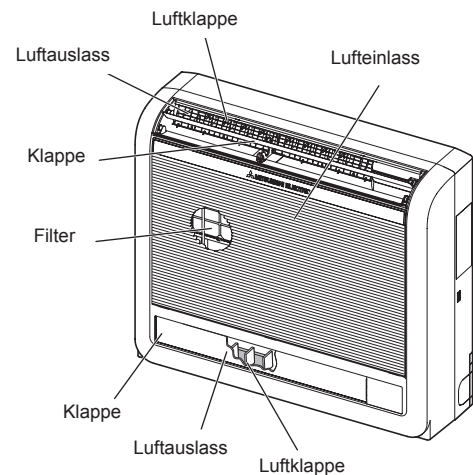
### ■ PCFY-P-VKM-E

Unterdeckengerät



### ■ PFFY-P-VKM-E(2)

Bodenstehend





## 2. Bezeichnungen der Teile

### ■ Für verdrahteter Fernbedienung

#### Display-Bereich

Für Erläuterungszwecke werden alle Elemente des Displays angezeigt. Während des eigentlichen Betriebs werden nur die relevanten Posten angezeigt.

#### Zeigt den aktuellen Betrieb

Zeigt den Betriebsmodus, usw.  
\* Anzeige in mehreren Sprachen wird unterstützt.

#### Anzeige "Centrally Controlled"

Gibt an, daß der Betrieb der Fernbedienung durch eine Master-Steuerung deaktiviert wurde.

#### Anzeige "Timer is Off"

Gibt an, daß der Timer ausgeschaltet ist.

#### Temperatureinstellung

Zeigt die Zieltemperatur an.

#### Kontrollbereich

Tasten zum Einstellen der Temperatur

- ▽ Nach unten
- △ Nach oben

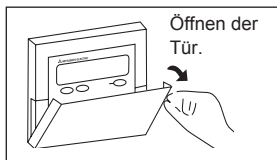
Taste Timer-Menü (Taste Monitor/Einstellen)

Taste Modus (Taste Zurück)

Taste Zeit einstellen

- ▽ Zurück
- △ Vorwärts

Taste Timer Aus/Ein (Taste Tag einstellen)

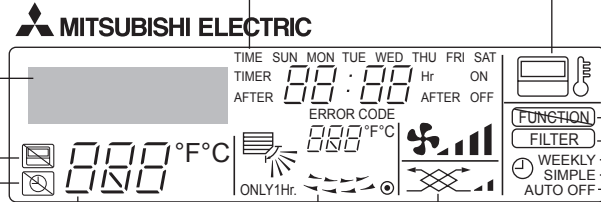


#### Wochentag

Zeigt den aktuellen Wochentag an.

#### Zeit-/Timer-Anzeige

Zeigt die aktuelle Zeit an, außer der einfache oder der Auto-Off-Timer ist eingestellt.  
Falls der einfache oder der Auto-Off-Timer eingestellt ist, wird die Restzeit angezeigt.



#### Anzeige der Luftrichtung nach oben/nach unten

Die Anzeige zeigt die Richtung der herausströmenden Luft an.

#### Anzeige "One Hour Only"

Erscheint, wenn der Luftstrom im Modus COOL oder DRY auf abwärts eingestellt wird. (Der Betrieb unterscheidet sich je nach Modell.)  
Die Anzeige schaltet sich nach einer Stunde aus, wenn sich die Richtung des Luftstroms ebenfalls ändert.

#### Anzeige der Umgebungstemperatur

Zeigt die Umgebungstemperatur an. Der Anzeigebereich für die Umgebungstemperatur ist 8 - 39 °C. Die Anzeige blinkt, wenn die Temperatur weniger als 8 °C oder mehr als 39 °C beträgt.

#### Anzeige der Luftklappen

Gibt die Aktion der Schwingluftklappen an. Erscheint nicht, wenn die Luftklappe stationär ist.

#### (Netz-Ein-Anzeige)

Gibt an, daß der Netzschalter eingeschaltet ist.

#### Anzeige "Sensor"

Wird angezeigt, wenn die Fernbedienung verwendet wird.

#### Anzeige "Locked"

Gibt an, daß die Tasten der Fernbedienung gesperrt wurden.

#### Anzeige "Clean The Filter"

Erscheint, wenn der Filter gereinigt werden muß.

#### Timer-Anzeigen

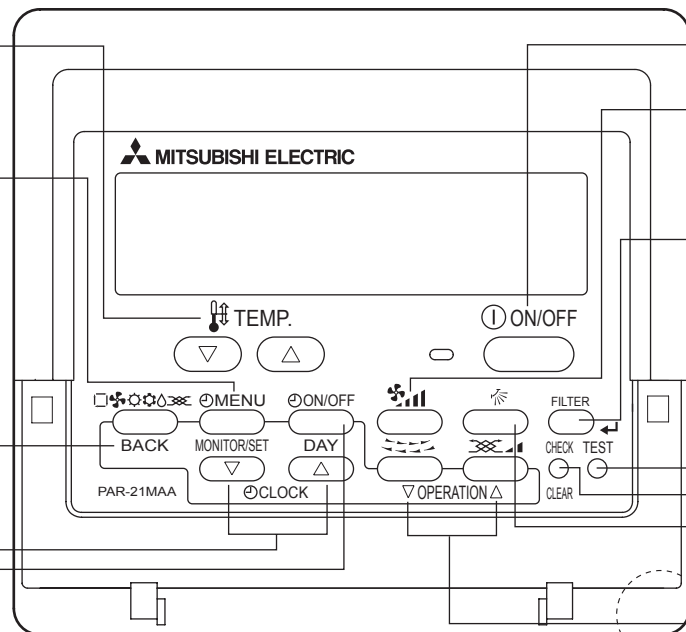
Die Anzeige erscheint, wenn der entsprechende Timer eingestellt ist.

#### Anzeige der Lüftergeschwindigkeit

Zeigt die ausgewählte Lüftergeschwindigkeit an.

#### Belüftungsanzeige

Erscheint, wenn das Gerät im Belüftungsmodus läuft.



Eingebauter Temperatursensor

Taste ON/OFF

Taste Lüftergeschwindigkeit

Taste Filter (Taste ←)

Taste Testlauf

Taste Check (Taste Löschen)

Taste Luftstrom nach oben/ nach unten

Taste Luftklappe (Taste Betrieb ▽)

▽ Zur vorherigen Betriebsnummer.

Taste Belüftung (△ Taste Betrieb)

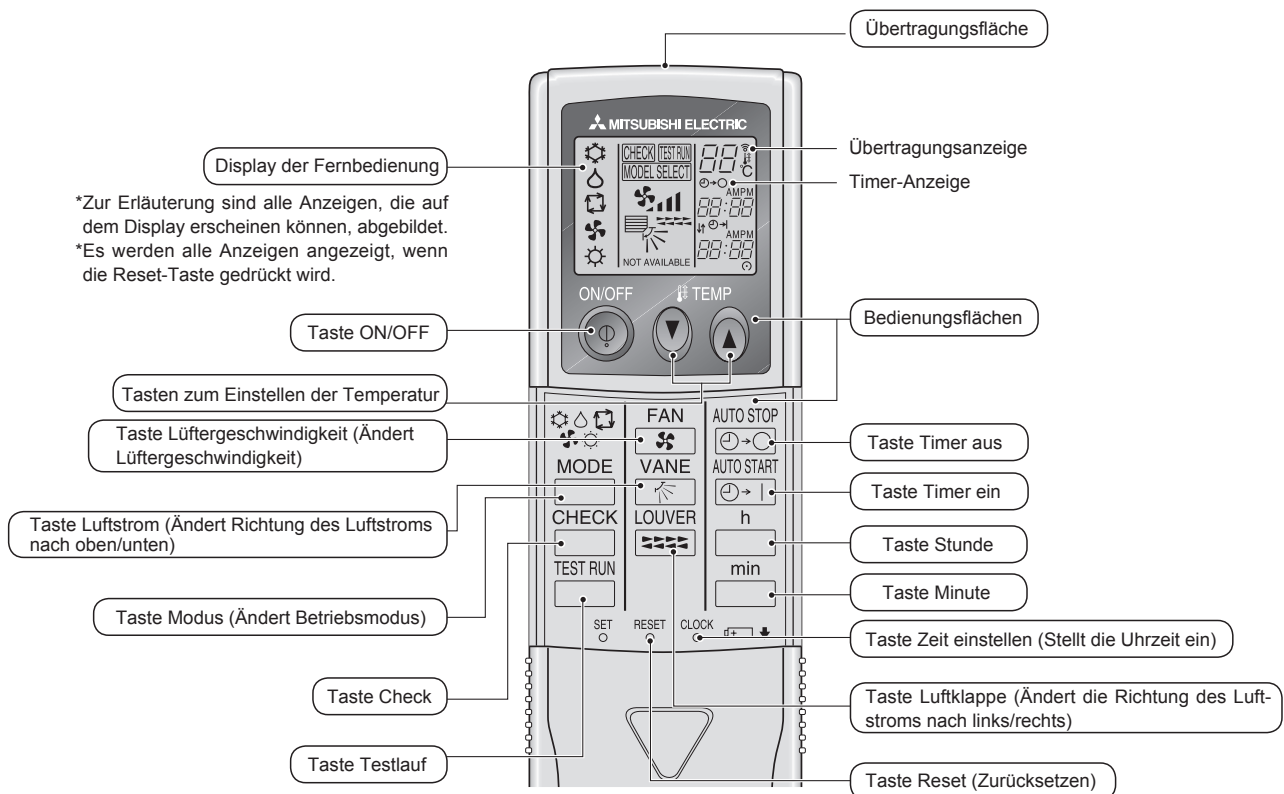
△ Zur nächsten Betriebsnummer.

#### Hinweis:

- "Meldung "PLEASE WAIT" (BITTE WARTEN)  
Diese Meldung wird etwa 3 Minuten lang angezeigt, wenn das Innengerät mit Strom versorgt wird oder wenn das Gerät nach einem Stromausfall wieder warmläuft.
- Blinkende Betriebsartanzeige  
Wenn mehrere Innengeräte an ein einzelnes Außengerät angeschlossen sind und eine Betriebsart für ein Innengerät gewählt wird, die von der gegenwärtigen Betriebsart eines anderen Innengerätes abweicht, blinkt die Betriebsartanzeige. Wählen Sie die gleiche Betriebsart des anderen Innengerätes.
- Meldung "NOT AVAILABLE" (NICHT VERFÜGBAR)  
Diese Meldung wird angezeigt, wenn eine Taste für eine Funktion gedrückt wird, über die das Innengerät nicht verfügt.  
Wenn dieselbe Fernbedienung zur Steuerung mehrerer Innengeräte verwendet wird, erscheint diese Meldung, falls das Haupt-Innengerät nicht mit der gewählten Funktion ausgestattet ist.
- Raumtemperaturanzeige  
Zum Messen der Raumtemperatur können die Innengerät-Temperatursensoren oder der Fernbedienungs-Temperatursensor gewählt werden. In der Anfangseinstellung werden die Innengerät-Temperatursensoren gewählt. Wenn die Innengerät-Temperatursensoren zum Messen der Raumtemperatur gewählt werden, wird die am Haupt-Innengerät gemessene Raumtemperatur an der Fernbedienung angezeigt, die für die Steuerung mehrerer Innengeräte verwendet wird.

## 2. Bezeichnungen der Teile

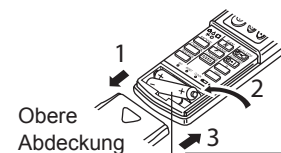
### ■ Für die schnurlose Fernbedienung



- Zur Benutzung der schnurlosen Fernbedienung diese auf den Empfänger am Innengerät richten.
- Wird die Fernbedienung innerhalb von etwa zwei Minuten betätigt, nachdem das Innengerät eingeschaltet wurde, erklingt unter Umständen zweimal ein Piepton während das Gerät die automatische Anfangsprüfung durchführt.
- Das Innengerät piept zur Bestätigung, dass das Signal, das von der Fernbedienung übertragen wird, empfangen wurde. Signale können bis zu etwa 7 Meter Sichtlinie vom Innengerät in einem Winkel von 45° nach links und rechts vom Gerät empfangen werden. Jedoch kann der Empfang des Innengeräts durch Beleuchtung wie Leuchtstofflampen oder starkes Licht beeinträchtigt werden.
- Falls die Betriebslampe in der Nähe des Empfängers am Innengerät blinkt, muss das Gerät überprüft werden. Wenden Sie sich zwecks Wartung an Ihren Händler.
- Behandeln Sie die Fernbedienung pfleglich! Lassen Sie sie nicht fallen und schützen Sie sie vor starken Erschütterungen. Schützen Sie die Fernbedienung darüber hinaus vor Wasser und hoher Luftfeuchtigkeit.
- Um ein Verlegen der Fernbedienung zu vermeiden, montieren Sie den Halter, der mit der Fernbedienung geliefert wurde, an einer Wand und legen Sie die Fernbedienung nach Gebrauch stets in den Halter zurück.

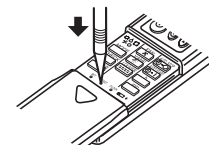
### Einsetzen/Austausch der Batterien

1. Nehmen Sie die obere Abdeckung ab und legen Sie zwei AAA-Batterien ein. Schließen Sie dann die obere Abdeckung wieder.



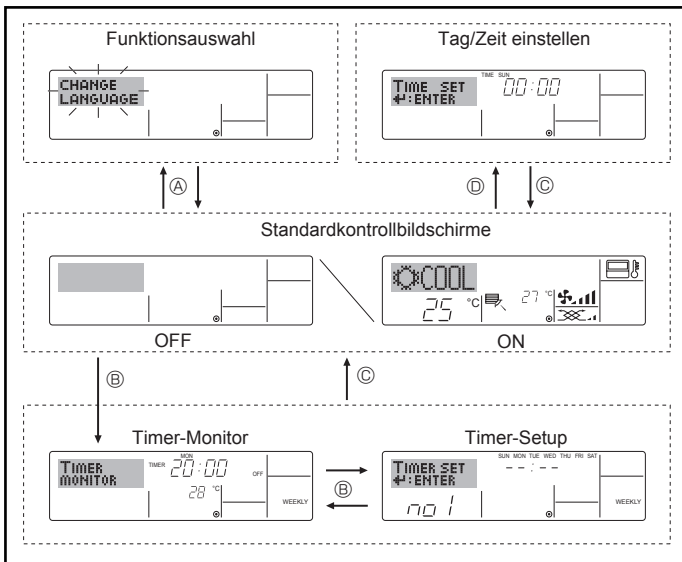
Zwei AAA-Batterien  
Legen Sie den negativen (-) Pol der Batterien zuerst ein. Setzen Sie die Batterien in die richtige Richtung (+, -) zeigend ein!

2. Drücken Sie die Taste Reset (Zurücksetzen).



Drücken Sie die Taste Reset (Zurücksetzen) mit einem spitzen Gegenstand.

### 3. Bildschirmkonfiguration



#### <Bildschirmtypen>

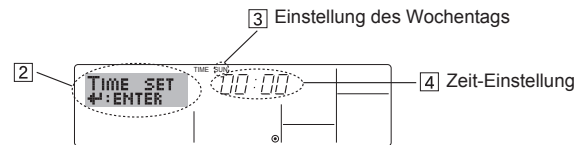
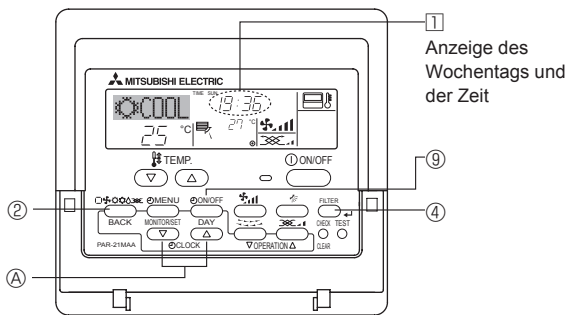
Mit der Funktionsauswahl der Fernbedienung kann die Spracheinstellung des Displays auf German (Deutsch) umgestellt werden. In Abschnitt 8, Punkt [4]–1 sehen Sie, wie Sie die Spracheinstellung ändern. Die anfängliche Einstellung ist Englisch.

- Funktionsauswahl: Stellt die verfügbaren Funktionen und Bereiche auf der Fernbedienung ein (Timer-Funktionen, Betriebsbeschränkungen, usw.).
- Tag/Zeit einstellen: Stellt den aktuellen Wochentag oder die Zeit ein.
- Standard-Kontrollbildschirme: Zeigt den Betriebsstatus des Klimaanlage-Systems und stellt ihn ein.
- Timer-Monitor: Zeigt den aktuell eingestellten Timer an (wöchentlicher Timer, einfacher Timer oder Auto-Off-Timer).
- Timer-Setup: Stellt den Betriebs eines der Timer ein (wöchentlicher Timer, einfacher Timer oder Auto-Off-Timer).

#### <So wechseln Sie den Bildschirm>

- Zu ①: Halten Sie sowohl die Taste Modus als auch die Taste Timer Ein/Aus 2 Sekunden lang gedrückt.
- Zu ②: Drücken Sie die Taste Timer-Menü.
- Zu ③: Drücken Sie die Taste Modus (Zurück).
- Zu ④: Drücken Sie eine der Tasten Zeit einstellen (▽ oder △).

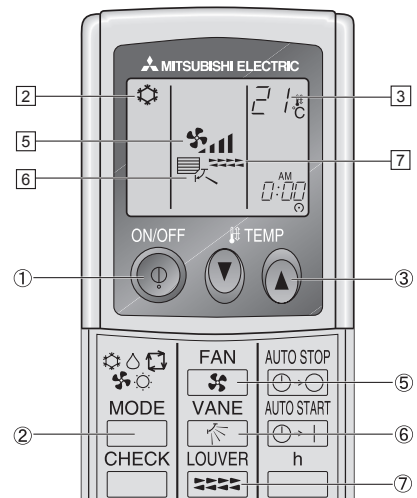
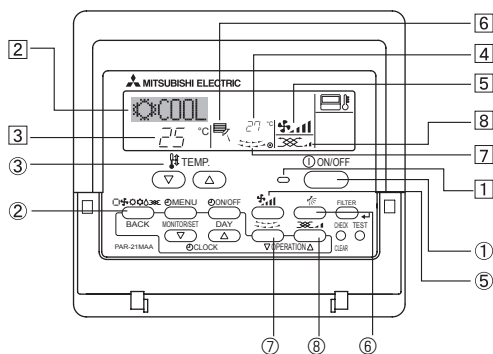
### 4. Einstellen des Wochentags und der Zeit



- Drücken Sie die Taste Zeit einstellen ▽ oder △ ①, um ② anzuzeigen.
- Drücken Sie die Taste Timer Ein/Aus (Tag einstellen) ②, um den Tag einzustellen.
  - \* Mit jedem Drücken rückt die Anzeige unter ③ einen Tag vor: Sun → Mon → ... → Fri → Sat.
- Drücken Sie die entsprechenden Taste Zeit einstellen ① nach Bedarf, um die Zeit einzustellen.
  - \* Wenn die Taste gedrückt gehalten wird, wird die Zeit (bei ④) zuerst in Ein-Minuten-Intervallen, dann in Zehn-Minuten-Intervallen, und schließlich in Ein-Stunden-Intervallen erhöht.
- Nachdem Sie die entsprechenden Einstellungen unter Schritt 2 und 3 durchgeführt haben, drücken Sie die Taste Filter ↵ ④, um die Werte zu speichern.

**Hinweis:**  
Der Tag und die Zeit erscheinen nicht, wenn die Uhr in der Funktionsauswahl deaktiviert wurde.

### 5. Bedienung



#### 5.1. ON/OFF (Ein-/Ausschalten)

<So starten Sie den Betrieb>

- Drücken Sie die Taste ON/OFF ①.
  - Die Lampe EIN ① und der Anzeigebereich erscheinen.

**Hinweis:**  
● Wenn das Gerät neu gestartet wird, sind die Anfangseinstellungen wie folgt.

Fernbedienungseinstellungen		
Modus	Letzte Einstellung	
Temperatureinstellung	Letzte Einstellung	
Lüftergeschwindigkeit	Letzte Einstellung	
Luftstrom nach oben/ nach unten	Modus	
	COOL oder DRY	Horiz. Auslass *1
	HEAT	Letzte Einstellung *2
	FAN	Horiz. Auslass *1

\*1 Die letzte Einstellung könnte je nach Typ der Inneneinheit angewendet werden.  
\*2 Falls die letzte Einstellung schwingend ist, kann der Luftstrom je nach Art der Inneneinheit Abwärts 4 sein.

#### <So stoppen Sie den Betrieb>

- Drücken Sie die Taste ON/OFF ① erneut.
  - Die Lampe EIN ① und der Display-Bereich verschwinden.

**Hinweis:**  
Selbst wenn Sie die ON/OFF (NETZSTROM EIN/AUS-) Taste unmittelbar nach Abschaltung des in Gang befindlichen Betriebs drücken, beginnt die Klimaanlage etwa drei Minuten lang nicht zu laufen. Dadurch wird verhindert, daß Teile im Inneren der Anlage beschädigt werden.

# 5. Bedienung

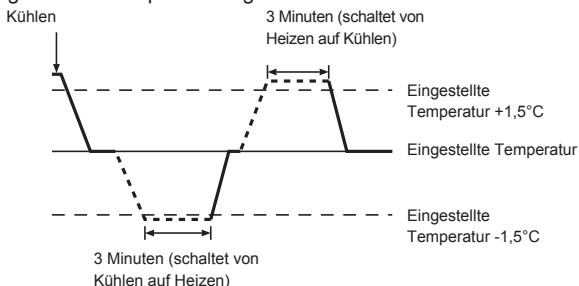
## 5.2. Betriebsart wählen

Die Betriebsart (☐❄️🌀☀️)-Taste ② drücken und die Betriebsart wählen ②.

- ❄️ Kühlen
- 💧 Trocknen
- 🌀 Gebläse
- ☀️ Heizen
- ☐ Automatik (Kühlen/Heizen)

### Automatischer Betrieb

Eine Temperatur wird eingestellt und der Kühlbetrieb beginnt, wenn die Umgebungstemperatur zu hoch ist bzw. der Heizbetrieb beginnt, wenn sie zu niedrig ist. Im automatischen Betrieb schaltet die Klimaanlage in die Betriebsart Kühlen, wenn die Umgebungstemperatur sich ändert und 3 Minuten lang 1,5 °C oder mehr über der eingestellten Temperatur liegt. Ebenso schaltet die Klimaanlage in die Betriebsart Heizen, wenn die Umgebungstemperatur 3 Minuten lang 1,5 °C oder mehr unter der eingestellten Temperatur liegt.



Da die Umgebungstemperatur automatisch angepasst wird, um eine festgelegte tatsächliche Temperatur beizubehalten, wird das Kühlen einige Grade wärmer und das Heizen einige Grade kühler ausgeführt als die eingestellte Umgebungstemperatur, sobald die Temperatur erreicht ist (automatisches Energiesparen).

## 5.3. Temperatureinstellung

### Zum Absenken der Raumtemperatur:

Taste ⏴ drücken ③, um die gewünschte Raumtemperatur einzustellen. Die eingestellte Raumtemperatur wird angezeigt ③.

### Zur Erhöhung der Raumtemperatur:

Taste ⏵ drücken ③, um die gewünschte Raumtemperatur einzustellen. Die eingestellte Temperatur wird angezeigt ③.

- Folgende Temperaturbereiche sind verfügbar:
  - Kühlen und Trocknen: 19 - 30 °C
  - Heizen: 17 - 28 °C
  - Automatik: 19 - 28 °C
- Die Anzeige blinkt bei 8 °C – 39 °C, um anzuzeigen, dass die Raumtemperatur niedriger oder höher als die angezeigte Temperatur ist.

## 5.4. Einstellung der Lüftergeschwindigkeit

- Drücken Sie die Taste Lüftergeschwindigkeit ⑤ so oft wie nötig, während das System läuft.
  - Jedes Drücken ändert die Stärke. Die aktuell ausgewählte Geschwindigkeit ist unter ⑤ dargestellt.
  - Die Änderungsreihenfolge und die verfügbaren Einstellungen sind wie folgt.

GEBLÄSEDREHZAHL	Anzeige
4 Geschwindigkeiten + Autom.*	Geschwindigkeit 1 → Geschwindigkeit 2 → Geschwindigkeit 3 → Geschwindigkeit 4 → Autom. 
3 Geschwindigkeiten + Autom.*	Geschwindigkeit 1 → Geschwindigkeit 2 → Geschwindigkeit 3 → Autom. 
Modell mit 4 Geschwindigkeiten	Geschwindigkeit 1 → Geschwindigkeit 2 → Geschwindigkeit 3 → Geschwindigkeit 4 

\* Nur für MA-Fernbedienung. Automatische Gebläsegeschwindigkeit-Einstellung ist für drahtlose Fernbedienung erforderlich.

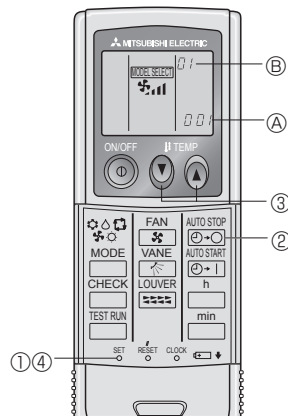
### Hinweis:

- Die Anzahl der verfügbaren Lüftergeschwindigkeiten hängt von der Art des angeschlossenen Geräts ab. Beachten Sie außerdem, dass einige Geräte die Einstellung "Autom." nicht haben.
- In den folgenden Fällen unterscheidet sich die vom Gerät erzeugte tatsächliche Lüftergeschwindigkeit von der auf der Fernbedienungsanzeige angezeigten Geschwindigkeit:
  1. Während das Display "STAND BY" oder "DEFROST" (Abtaven) anzeigt.
  2. Wenn die Temperatur des Wärmetauschers in der Betriebsart Heizen zu niedrig ist. (z.B. direkt nach dem Heizbeginn)
  3. Im HEAT-Modus, wenn die Raumtemperatur höher als die Temperatureinstellung ist.
  4. Wenn sich das Gerät im DRY-Modus befindet.

### Automatische Einstellung der Lüfterdrehzahl (für drahtlose Fernbedienung)

Die Einstellung ist bei drahtloser Fernbedienung nur notwendig, wenn die automatische Lüfterdrehzahl bei der Standardeinstellung nicht eingestellt wird. Die Einstellung ist nicht notwendig bei verdrahteter Fernbedienung mit automatischer Lüfterdrehzahl bei Standardeinstellung.

- SET-Taste mit einem spitzen Gegenstand drücken. Dies muss bei ausgeschaltetem Display der Fernbedienung erfolgen. **MODEL SELECT** blinkt und die Modellnummer wird hervorgehoben ④.
- AUTO STOP-Taste betätigen. ② → ③. **FAN** blinkt und die Einstell-Nummer wird hervorgehoben ③. (Einstell-Nr. 01: ohne automatische Lüfterdrehzahl)
- Die Tasten ③ → ④ drücken, um die Einstell-Nr. 02 einzustellen. (Einstellung 02: mit automatischer Lüfterdrehzahl) Bei einem Fehler ist die ON/OFF ② -Taste zu drücken und der Vorgang ab Schritt ② zu wiederholen.
- SET-Taste mit einem spitzen Gegenstand drücken. **MODEL SELECT** und die Modellnummer leuchten 3 Sekunden lang auf und verschwinden dann.



## 5.5. Einstellung der Luftstromrichtung

<So ändern Sie die Richtung des Luftstroms (nach oben/nach unten)>

- Drücken Sie, während das Gerät läuft, die Taste Luftstrom nach oben/nach unten ⑥ nach Bedarf.
  - Jedes Drücken ändert die Richtung. Die aktuelle Richtung wird unter ⑥ angezeigt.
  - Die Änderungsreihenfolge und die verfügbaren Einstellungen sind wie folgt:

Luftstrom	Anzeige
Modell mit 5 stufen*1	Schwing Autom. 1 2 3 4 5 
Modell mit 4 stufen (PMFY)	Schwing 1 (Horiz.) 2 3 4 
Modell mit 4 stufen (PKFY-BM)	1 2 3 4 

\* Beachten Sie, daß sich während dem Schwingbetrieb die Richtungsanzeige auf dem Bildschirm nicht synchron mit den Richtungsklappen am Gerät ändert.  
 \* Einige Modelle unterstützen Richtungsinstellungen nicht.  
 \*1 Nur für MA-Fernbedienung, andere Fernbedienungen zeigen das gleiche an wie das 4-Schritt-Modell.  
 \*2 Einstellung der Luftstromrichtung <Autom.>  
 COOL/FAN/DRY : Einstellung 1 (Horizontal), HEAT : Einstellung 5 (Abwärts 5)

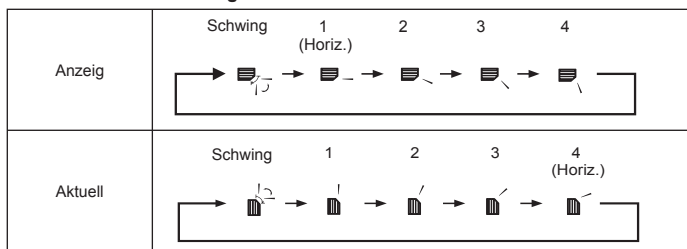
### Hinweis:

- Die verfügbaren Richtungen hängen von der Art des angeschlossenen Geräts ab. Beachten Sie außerdem, dass einige Geräte die Einstellung "Autom." nicht haben.
- In den folgenden Fällen unterscheidet sich die tatsächliche Lüfterrichtung von der Richtung, die auf der Fernbedienungsanzeige angezeigt wird:
  1. Während das Display "STAND BY" oder "DEFROST" (Abtaven) anzeigt.
  2. Sofort nach Starten des Heizmodus (während das System darauf wartet, daß sich der Modus ändert).
  3. Im Heizmodus, wenn die Raumtemperatur höher als die Temperatureinstellung ist.

## 5. Bedienung

(Bei Geräten der Serie PFFY-P-VKM)

- Bei Geräten der Serie PFFY-P-VKM weicht die auf der Fernbedienung angezeigte Luftstromrichtung von der tatsächlichen Luftstromrichtung ab. Beachten Sie hierzu folgende Tabelle.



- Die Luftstromrichtung des Dämpfer des unteren Luftauslasses lässt sich nicht einstellen. Die Luftstromrichtung wird automatisch über einen Computer geregelt.

### <[Manuell] Ändern der Luftstromrichtung nach links/rechts>

- \* Die Lüftungsschlitze-Taste kann nicht verwendet werden.
  - Unterbrechen Sie den Betrieb des Geräts, halten Sie den Hebel des Lüftungsschlitzes und stellen Sie die Richtung wie gewünscht ein.
- \* Stellen Sie die Innenrichtung im Kühl- oder Entfeuchtungsmodus nicht ein, da die Gefahr von Kondenswasserbildung und herabtropfendem Wasser besteht.



- ⚠ **Vorsicht:**  
Ergreifen Sie bei obiger Vorgehensweise Vorsichtsmaßnahmen, um Stürze zu vermeiden.

## 5.6. Belüftung

### ► Für LOSSNAY-Kombination

#### 5.6.1. Für verdrahteter Fernbedienung

- So betreiben Sie den Ventilator zusammen mit dem Innengerät:
  - Drücken Sie die Taste ON/OFF .
  - Die Anzeige Vent erscheint auf dem Bildschirm (unter ). Der Ventilator arbeitet jetzt immer automatisch, wenn das Innengerät läuft.
- So betreiben Sie den Ventilator nur, wenn das Innengerät ausgeschaltet ist:
  - Drücken Sie die Taste Belüftung während das Innengerät ausgeschaltet ist.
  - Die Lampe Ein (unter ) und die Anzeige Belüftung (unter ) erscheinen.
- So ändern Sie die Ventilatorstärke:
  - Drücken Sie die Taste Belüftung nach Bedarf.
  - Mit jedem Drücken wird die Einstellung wie unten dargestellt umgeschaltet.



#### Hinweis:

- Bei einigen Modellkonfigurationen kann sich der Lüfter des Innengeräts einschalten, auch wenn Sie den Ventilator so eingestellt haben, dass er unabhängig läuft.

## 6. Timer

### 6.1. Für verdrahteter Fernbedienung

Sie können die Funktionsauswahl verwenden, um auszuwählen, welchen der drei Timer Sie verwenden möchten: Wöchentlicher Timer, Einfacher Timer oder Auto-Off-Timer.

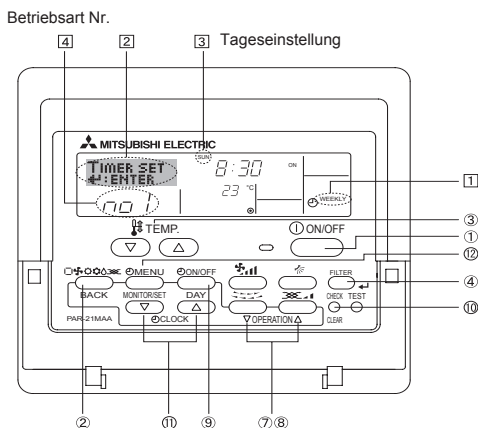
#### 6.1.1. Wöchentlicher Timer

- Der wöchentliche Timer kann verwendet werden, um bis zu acht Betriebsarten für jeden Tag der Woche einzustellen.
  - Jede Betriebsart kann aus Folgendem bestehen: EIN/AUS-Zeit zusammen mit einer Temperatureinstellung oder nur EIN/AUS-Zeit oder nur Temperatureinstellung.
  - Wenn die aktuelle Zeit eine vom Timer eingestellte Zeit erreicht, führt die Klimaanlage die vom Timer eingestellte Aktion durch.
- Die Einteilung der Zeiteinstellung für diesen Timer ist 1 Minute.

#### Hinweis:

1. Der wöchentliche Timer/einfache Timer/Auto-Off-Timer können nicht gleichzeitig eingestellt werden.
2. Der wöchentliche Timer funktioniert nicht, wenn eine der folgenden Bedingungen wirksam ist.

Die Timerfunktion ist ausgeschaltet; das System befindet sich in einem unnormalen Zustand; ein Testlauf wird durchgeführt; die Fernbedienung führt einen Selbstcheck oder einen Fernbedienungscheck durch; der Benutzer stellt gerade eine Funktion ein; der Benutzer stellt gerade einen Timer ein; der Benutzer stellt gerade den aktuellen Wochentag oder die Zeit ein; das System wird zentral gesteuert. (Das System führt insbesondere dann keine Betriebsarten durch (Gerät ein, Gerät aus oder Temperatureinstellung), die während diesen Bedingungen deaktiviert sind.)



### <So stellen Sie den wöchentlichen Timer ein>

1. Achten Sie darauf, daß Sie sich im Standardkontrollbildschirm befinden und daß die Anzeige für den wöchentlichen Timer auf dem Display angezeigt wird.
  2. Drücken Sie die Taste Timer-Menü , so daß "Set Up" auf dem Bildschirm erscheint (unter ). (Beachten Sie, daß mit jedem Tastendruck die Anzeige zwischen "Set Up" und "Monitor" umgeschaltet wird.)
  3. Drücken Sie die Taste Timer Ein/Aus (Tag einstellen) um den Tag einzustellen. Mit jedem Drücken geht die Anzeige unter zur nächsten Einstellung in der folgenden Reihenfolge: "Sun Mon Tues Wed Thurs Fri Sat" → "Sun" → ... → "Fri" → "Sat" → "Sun Mon Tues Wed Thurs Fri Sat"...
  4. Drücken Sie die Taste Betrieb oder ( oder ) so oft wie nötig, um die entsprechende Betriebsnummer auszuwählen (1 bis 8) .
    - \* Mit Ihren Eingaben unter Schritt 3 und 4 wählen Sie eine der Zellen aus der unten dargestellten Matrix.
- (Die Fernbedienungsanzeige auf der linken Seite zeigt, wie das Display aussieht, wenn Betrieb 1 für Sonntag auf die unten angegebenen Werte eingestellt ist.)

#### Setup-Matrix

Betr.-Nr.	Sunday	Monday	...	Saturday
No. 1	• 8:30 • ON • 23 °C			
No. 2	• 10:00 • OFF	• 10:00 • OFF	• 10:00 • OFF	• 10:00 • OFF
...				
No. 8				

<Einstellungen von Betrieb 1 für Sonntag>  
Klimaanlage um 8:30 Uhr mit auf 23 °C eingestellter Temperatur starten.

<Einstellung von Betrieb 2 für jeden Tag>  
Klimaanlage um 10:00 Uhr ausschalten.

#### Hinweis:

Durch Einstellen des Tags auf "Sun Mon Tues Wed Thurs Fri Sat", können Sie festlegen, daß derselbe Betrieb jeden Tag zur selben Zeit durchgeführt wird. (Beispiel: Betrieb 2 oben, der für jeden Tag der Woche gleich ist.)

Zeigt die Zeiteinstellung an Zeigt die ausgewählte Betriebsart an (EIN oder AUS)  
\* Erscheint nicht, wenn die Betriebsart nicht eingestellt ist.

Zeigt die Temperatureinstellung an  
\* Erscheint nicht, wenn die Temperatur nicht eingestellt ist.



## 6. Timer

### <Einstellen des wöchentlichen Timers>

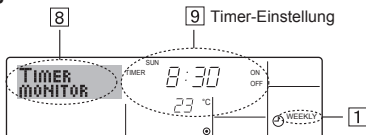
- Drücken Sie die entsprechende Taste Zeit einstellen ① so oft wie nötig, um die gewünschte Zeit einzustellen (unter ⑤).
  - Wenn Sie die Taste gedrückt halten, rückt die Zeit zuerst in Minutenintervallen, dann in Zehn-Minuten-Intervallen und dann in Ein-Stunden-Intervallen vor.
- Drücken Sie die Taste ON/OFF ① um die gewünschte Betriebsart auszuwählen (EIN oder AUS) unter ⑥.
  - Jedes Drücken ändert die nächste Einstellung in der folgenden Reihenfolge: keine Anzeige (keine Einstellung) → "ON" → "OFF".
- Drücken Sie die entsprechende Taste Temperatur einstellen ③, um die gewünschte Temperatur einzustellen (unter ⑦).
  - Jedes Drücken ändert die Einstellung in der folgenden Reihenfolge: keine Anzeige (keine Einstellung) ↔ 24 ↔ 25 ↔ ... ↔ 29 ↔ 30 ↔ 12 ↔ ... ↔ 23 ↔ keine Anzeige.
  - (Verfügbare Bereich: Der Bereich für die Einstellung ist 12 °C bis 30 °C. Der tatsächliche Bereich, über den die Temperatur gesteuert werden kann, variiert jedoch entsprechend des Typs des angeschlossenen Geräts.)
- Nachdem Sie die entsprechenden Einstellungen unter Schritt 5, 6 und 7 durchgeführt haben, drücken Sie die Taste Filter ↵ ④, um die Werte zu speichern. Um die aktuell eingestellten Werte für den ausgewählten Betrieb einzustellen, drücken Sie die Taste Check (Löschen) ⑩ einmal kurz.
  - Die angezeigte Zeiteinstellung ändert sich zu "—" und die Ein/Aus- und Temperatureinstellungen verschwinden.
  - (Um alle wöchentlichen Timer-Einstellungen gleichzeitig zu löschen, halten Sie die Taste Check (Löschen) ⑩ mindestens zwei Sekunden lang gedrückt. Die Anzeige beginnt zu blinken, um anzuzeigen, dass alle Einstellungen gelöscht worden sind.)

#### Hinweis:

Ihre neuen Einträge werden storniert, wenn Sie die Taste Modus (Zurück) ② drücken, bevor Sie die Taste Filter ↵ ④ drücken. Wenn Sie zwei oder mehr unterschiedliche Betriebsarten für genau dieselbe Zeit eingestellt haben, wird nur die Betriebsart mit der höchsten Betriebsart-Nr. ausgeführt.

- Wiederholen Sie die Schritte 3 bis 8 nach Bedarf, um so viele der verfügbaren Zellen auszufüllen, wie Sie möchten.
- Drücken Sie die Taste Modus (Zurück) ②, um zum Standardkontrollbildschirm zurückzukehren und den Einstellvorgang zu beenden.
- Um den Timer zu aktivieren, drücken Sie die Taste Timer Ein/Aus ⑨, so daß die Anzeige "Timer Off" vom Bildschirm verschwindet. **Achten Sie darauf, daß die Anzeige "Timer Off" verschwunden ist.**
  - Falls keine Timereinstellungen vorhanden sind, blinkt die Anzeige "Timer Off" auf dem Display.

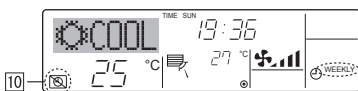
### <So zeigen Sie den wöchentlichen Timer an>



- Achten Sie darauf, daß die wöchentliche Timer-Anzeige auf dem Bildschirm sichtbar ist (unter ①).
- Drücken Sie die Taste Timer-Menü ②, so daß "Monitor" auf dem Bildschirm erscheint (unter ③).
- Drücken Sie die Taste Timer Ein/Aus (Tag einstellen) ⑨ so oft wie nötig, um den Tag einzustellen, den Sie anzeigen möchten.
- Drücken Sie die Taste Betrieb ∇ oder △ (⑦ oder ⑧) so oft wie nötig, um den auf dem Display angezeigten Timer-Betrieb zu ändern (unter ⑨).
  - Mit jedem Drücken gelangen Sie zur nächsten Timer-Betriebsart in der Reihenfolge der Zeiteinstellung.
- Um den Monitor zu schließen und zum Standardkontrollbildschirm zurückzukehren, drücken Sie die Taste Modus (Zurück) ②.

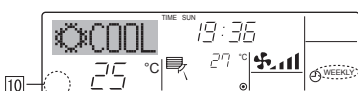
### <So schalten Sie den wöchentlichen Timer aus>

Drücken Sie die Taste Timer Ein/Aus ⑨, so daß "Timer Off" unter ⑩ erscheint.



### <So schalten Sie den wöchentlichen Timer ein>

Drücken Sie die Taste Timer Ein/Aus ⑨, so daß die Anzeige "Timer Off" (unter ⑩) goes dark.

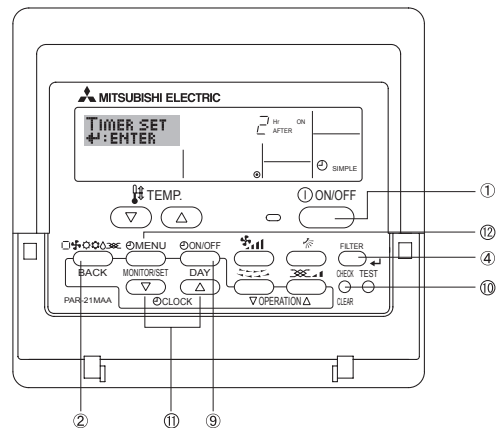


### 6.1.2. Einfacher Timer

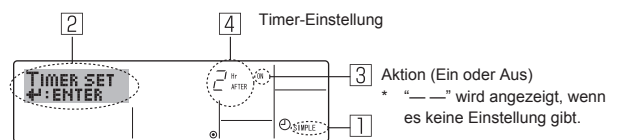
- Sie haben drei Möglichkeiten, den einfachen Timer einzustellen.
  - Nur Startzeit: Die Klimaanlage startet, wenn die eingestellte Zeit vergangen ist.
  - Nur Stopzeit: Die Klimaanlage stoppt, wenn die eingestellte Zeit vergangen ist.
  - Start- und Stopzeiten: Die Klimaanlage startet und stoppt, wenn die entsprechenden Zeiten vergangen sind.
- Der einfache Timer (Start und Stop) kann nur einmal innerhalb eines Zeitraums von 72 Stunden eingestellt werden. Die Zeiteinstellung erfolgt in Stunden-Schritten.

#### Hinweis:

- Der wöchentliche Timer/einfache Timer/Auto-Off-Timer können nicht gleichzeitig eingestellt werden.
- Der einfache Timer funktioniert nicht, wenn eine der folgenden Bedingungen wirksam ist: Die Timerfunktion ist ausgeschaltet; das System befindet sich in einem unnormalen Zustand; ein Testlauf wird durchgeführt; die Fernbedienung führt einen Selbstcheck oder eine Diagnose durch; der Benutzer wählt gerade eine Funktion aus; der Benutzer stellt gerade den Timer ein; das System wird zentral gesteuert. (Unter diesen Bedingungen ist der Ein/Aus-Betrieb deaktiviert.)



### <So stellen Sie den einfachen Timer ein>



- Achten Sie darauf, daß Sie sich im Standardkontrollbildschirm befinden und daß die Anzeige des einfachen Timers auf dem Display angezeigt wird (unter ①). Wenn etwas anderes als der einfache Timer angezeigt wird, stellen Sie den SIMPLE TIMER mit Hilfe der Timer-Funktionseinstellung der Funktionsauswahl ein (siehe 8.[4]-3 (3)).
- Drücken Sie die Taste Timer-Menü ②, so daß "Set Up" auf dem Bildschirm erscheint (unter ②). (Beachten Sie, daß mit jedem Tastendruck die Anzeige zwischen "Set Up" und "Monitor" umgeschaltet wird.)
- Drücken Sie die Taste ON/OFF ①, um die aktuelle EIN- oder AUS-Einstellung des einfachen Timers anzuzeigen. Drücken Sie die Taste einmal, um die restliche Zeit unter EIN anzuzeigen, und dann noch einmal, um die restliche Zeit unter AUS anzuzeigen. (Die Anzeige EIN/AUS erscheint unter ③).
  - "EIN"-Timer: Die Klimaanlage startet den Betrieb, wenn die angegebene Anzahl Stunden vergangen ist.
  - "AUS"-Timer: Die Klimaanlage stoppt den Betrieb, wenn die angegebene Anzahl Stunden vergangen ist.
- Wenn "ON" oder "OFF" unter ③: angezeigt wird: Drücken Sie die entsprechende Taste Zeit einstellen ① so oft wie nötig, um die Stunden auf EIN (falls "ON" angezeigt wird) oder die Stunden auf AUS (falls "OFF" angezeigt wird) unter ④ einzustellen.
  - Verfügbare Bereich: 1 bis 72 Stunden
- Um sowohl die Zeiten für EIN als auch für AUS einzustellen, wiederholen Sie die Schritte 3 und 4.
  - Beachten Sie, daß die AUS- und EIN-Zeiten nicht auf denselben Wert eingestellt werden können.
- So löschen Sie die aktuelle EIN- oder AUS-Einstellung: Zeigen Sie die EIN- oder AUS-Einstellung (siehe Schritt 3) an und drücken Sie dann die Taste Check (Löschen) ⑩, so daß die Zeiteinstellung zu "—" unter ④ zurückkehrt. (Wenn Sie nur eine EIN-Einstellung oder nur eine AUS-Einstellung verwenden wollen, achten Sie darauf, daß die Einstellung, die Sie nicht verwenden möchten, als "—" angezeigt wird.)



## 6. Timer

7. Nach Durchführung der oben angegebenen Schritte 3 bis 6 drücken Sie die Taste Filter ↵ (4), um den Wert zu speichern.

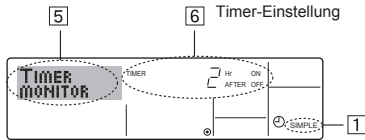
### Hinweis:

Ihre neuen Einstellungen werden storniert, wenn Sie die Taste Modus (Zurück) (2) drücken, bevor Sie die Taste Filter ↵ (4) drücken.

8. Drücken Sie die Taste Modus (Zurück) (2), um zum Standardkontrollbildschirm zurückzukehren.  
9. Drücken Sie die Taste Timer Ein/Aus (9), um den Timer-Countdown zu starten. Wenn der Timer läuft, wird der Timer-Wert auf dem Display angezeigt.

**Achten Sie darauf, ob der Timer-Wert sichtbar und richtig ist.**

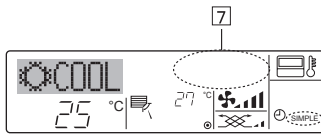
### <Anzeigen der aktuellen Einstellungen des einfachen Timers>



1. Achten Sie darauf, daß die Anzeige des einfachen Timers auf dem Bildschirm sichtbar ist (unter 1).
2. Drücken Sie die Taste Timer-Menü Mee (2), so daß "Monitor" auf dem Bildschirm erscheint (unter 5).
  - Falls der einfache EIN- oder AUS-Timer läuft, erscheint der aktuelle Timer-Wert unter 6.
  - Falls die EIN- und AUS-Werte beide eingestellt wurden, erscheinen beide Werte abwechselnd.
3. Drücken Sie die Taste Modus (Zurück) (2), um die Monitoranzeige zu schließen und zum Standardkontrollbildschirm zurückzukehren.

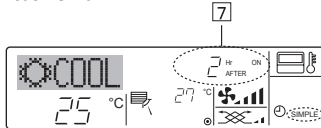
### <So schalten Sie den einfachen Timer aus>

Drücken Sie die Taste Timer Ein/Aus (9), so daß die Timer-Einstellung nicht mehr auf dem Bildschirm erscheint (unter 7).



### <So starten Sie den einfachen Timer>

Drücken Sie die Taste Timer Ein/Aus (9), so daß die Timer-Einstellungen unter 7 sichtbar sind.

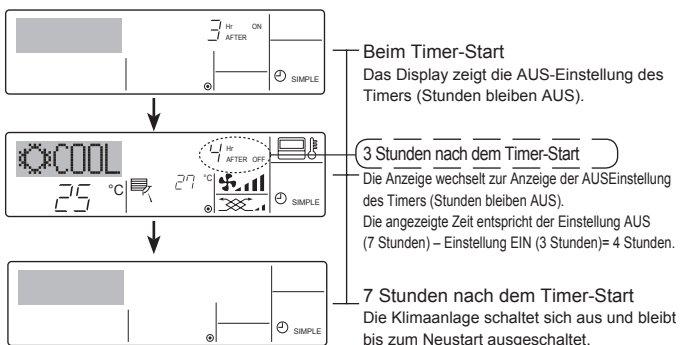


### Beispiele

Falls die EIN- und AUS-Zeiten beide im einfachen Timer eingestellt wurden, werden der Betrieb und die Anzeige wie unten dargestellt.

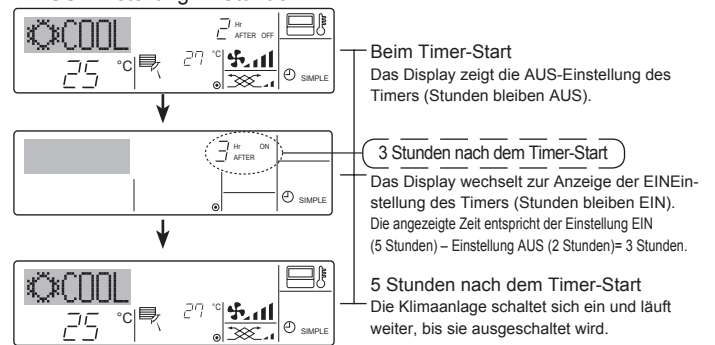
#### Beispiel 1:

Starten des Timers mit früherer EIN-Zeit als die AUS-Zeit  
EIN-Einstellung: 3 Stunden  
AUS-Einstellung: 7 Stunden



#### Beispiel 2:

Starten des Timers mit früherer AUS-Zeit als die EIN-Zeit  
EIN-Einstellung: 5 Stunden  
AUS-Einstellung: 2 Stunden



### 6.1.3. Timer für automatisches Ausschalten

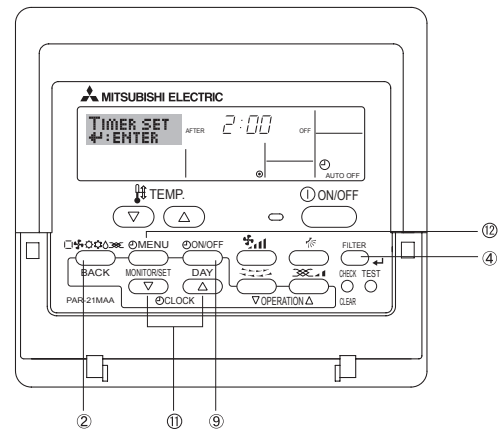
- Dieser Timer beginnt den Countdown, wenn die Klimaanlage startet, und schaltet die Klimaanlage aus, wenn die eingestellte Zeit abgelaufen ist.
- Die verfügbaren Einstellungen gehen in 30-Minuten-Intervallen von 30 Minuten bis zu 4 Stunden.

### Hinweis:

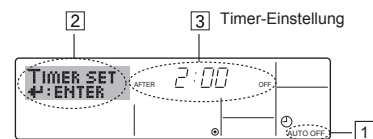
\*1. Der wöchentliche Timer/einfache Timer/Auto-Off-Timer können nicht gleichzeitig eingestellt werden.

\*2. Der Auto-Off-Timer funktioniert nicht, wenn eine der folgenden Bedingungen wirksam ist:

Die Timerfunktion ist ausgeschaltet; das System befindet sich in einem unnormalen Zustand; ein Testlauf wird durchgeführt; die Fernbedienung führt einen Selbstcheck oder eine Diagnose durch; der Benutzer wählt gerade eine Funktion aus; der Benutzer stellt gerade den Timer ein; das System wird zentral gesteuert. (Unter diesen Bedingungen ist der Ein/Aus-Betrieb deaktiviert.)



### <So stellen Sie den Auto-Off-Timer ein>



1. Achten Sie darauf, daß Sie sich im Standardkontrollbildschirm befinden und daß die Anzeige "Auto Off Timer" auf dem Display angezeigt wird (unter 1).  
Wenn etwas anderes als der Auto-Off-Timer angezeigt wird, stellen Sie den AUTO-OFF TIMER mit Hilfe der Timer-Funktionseinstellung der Funktionsauswahl ein (siehe 8.[4]-3 (3)).
2. Halten Sie die Taste Timer-Menü (2) 3 Sekunden lang gedrückt, so daß "Set Up" auf dem Bildschirm erscheint (unter 2).  
(Beachten Sie, daß mit jedem Tastendruck die Anzeige zwischen "Set Up" und "Monitor" umgeschaltet wird.)
3. Drücken Sie die entsprechende Taste Zeit einstellen (11) so oft wie nötig, um die OFF-Zeit einzustellen (unter 3).
4. Drücken Sie die Taste Filter ↵ (4), um die Einstellung zu speichern.

### Hinweis:

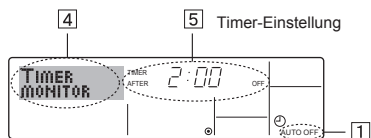
Ihr Eintrag wird storniert, wenn Sie die Taste Modus (Zurück) (2) drücken, bevor Sie die Taste Filter ↵ (4) drücken.

5. Drücken Sie die Taste Modus (Zurück) (2), um den Einstellvorgang zu beenden und zum Standardkontrollbildschirm zurückzukehren.

6. Falls die Klimaanlage bereits läuft, beginnt der Timer sofort mit dem Countdown. **Achten Sie darauf, zu überprüfen, ob die Timer-Einstellung richtig auf dem Display erscheint.**

## 6. Timer

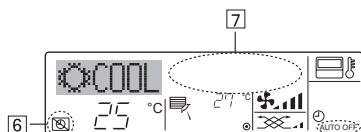
### <Überprüfen der aktuellen Einstellung des Auto-Off-Timers>



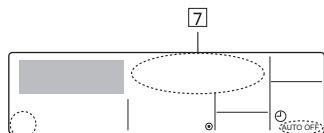
1. Achten Sie darauf, daß "Auto Off" auf dem Bildschirm sichtbar ist (unter 1).
2. Halten Sie die Taste Timer-Menü 3 Sekunden lang gedrückt, so daß "Monitor" auf dem Bildschirm angegeben wird (unter 4).
  - Der Timer, der noch beendet werden muß, erscheint unter 5.
3. Um den Monitor zu schließen und zum Standardkontrollbildschirm zurückzukehren, drücken Sie die Taste Modus (Zurück) 2.

### <So schalten Sie den Auto-Off-Timer aus>

- Halten Sie die Taste Timer Ein/Aus 3 Sekunden lang gedrückt, so daß "Timer Off" erscheint (unter 6) und der Timer-Wert (unter 7) verschwindet.

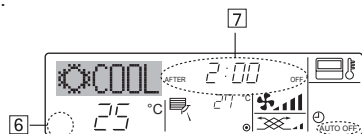


- Oder schalten Sie die Klimaanlage selbst aus. Der Timer-Wert (unter 7) verschwindet vom Bildschirm.



### <So starten Sie den Auto-Off-Timer>

- Halten Sie die Taste Timer Aus/Ein 3 Sekunden lang gedrückt. Die Anzeige "Timer Off" erscheint (unter 6) und die Timer-Einstellung erscheint auf dem Display (unter 7). (Informationen zur Auswahl des Sperrtyps finden Sie in Abschnitt 8, Punkt [4]-2 (1).)
- Oder schalten Sie die Klimaanlage ein. Der Timer-Wert erscheint unter 7.



## 7. Weitere Funktionen

### 7.1. Sperren der Fernbedienungstasten (Beschränkung der Betriebsfunktionen)

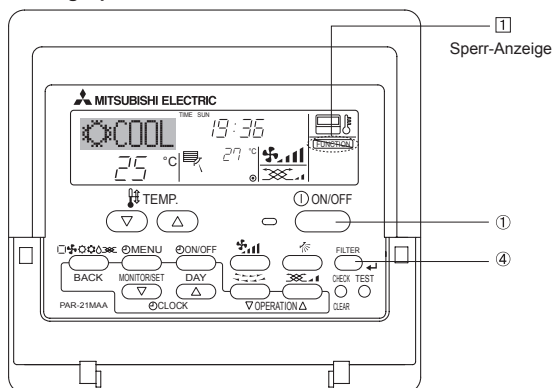
- Wenn Sie möchten, können Sie die Tasten der Fernbedienung sperren. Sie können die Funktionsauswahl der Fernbedienung verwenden, um auszuwählen, welche Art von Sperre Sie verwenden möchten. (Informationen zur Auswahl des Sperrtyps finden Sie in Abschnitt 8, Punkt [4]-2 (1).)

Sie können eine der zwei folgenden Sperrarten verwenden:

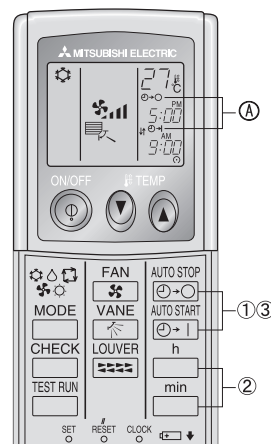
- ① Alle Tasten sperren:  
Sperrt alle Tasten auf der Fernbedienung.
- ② Alle außer EIN/AUS sperren:  
Sperrt alle Tasten außer der Taste ON/OFF.

#### Hinweis:

Die Anzeige "Locked" erscheint auf dem Bildschirm, um anzugeben, daß die Tasten zur Zeit gesperrt sind.



### 6.2. Für die schnurlose Fernbedienung



- ① AUTO STOP - oder AUTO START -Taste drücken (zeitschaltzeiteinstellung).
  - Während das nachstehende Symbol blinkt, kann die Zeit eingestellt werden. Ausschalt (OFF)-Timer: (A) (OFF) blinkt. Einschalt (ON)-Timer: (A) (ON) blinkt.
- ② Mit den Tasten h und min die gewünschte Zeit einstellen.
- ③ Den Zeitschalter löschen.
  - Zum Löschen der Zeitschaltzeiteinstellung OFF (AUS), die Taste (OFF) drücken.
  - Zum Löschen der Zeitschaltzeiteinstellung ON (EIN), die Taste (ON) drücken.
- Zeitschalter OFF (AUS) und ON (EIN) können miteinander kombiniert werden.
- Das Betätigen der ① ON/OFF (netzschalter EIN/AUS)-Taste der Fernbedienung im Zeitschalterbetrieb zum Ausschalten der Anlage führt zum Löschen des Zeitschalters.
- Wenn die aktuelle Zeit nicht eingestellt wurde, kann der Timerbetrieb nicht benutzt werden.

### <So sperren Sie die Tasten>

1. Halten Sie die Taste Filter 4 zusammen mit der Taste ON/OFF 1 2 Sekunden lang gedrückt. Die Anzeige "Locked" erscheint auf dem Bildschirm (unter 1) und zeigt an, daß die Sperre jetzt aktiv ist.
  - \* Wenn das Sperren in der Funktionsauswahl deaktiviert wurde, zeigt der Bildschirm die Meldung "Not Available" an, wenn Sie die Tasten wie oben beschrieben drücken.



- Wenn Sie eine gesperrte Taste drücken, blinkt die Anzeige "Locked" (unter 1) auf dem Display.



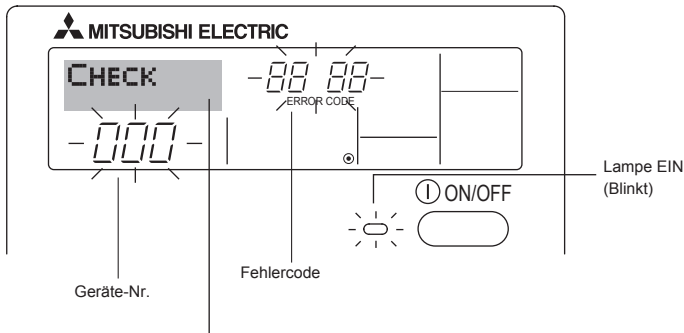
### <So entsperren Sie die Tasten>

1. Halten Sie die Taste Filter 4 zusammen mit der Taste ON/OFF 1 2 Sekunden lang gedrückt die Anzeige "Locked" verschwindet vom Bildschirm (unter 1).



## 7. Weitere Funktionen

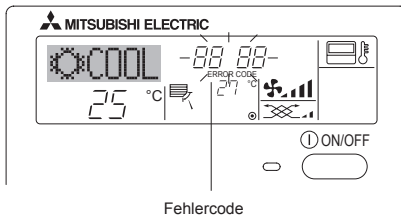
### 7.2. Anzeige von Fehlercodes



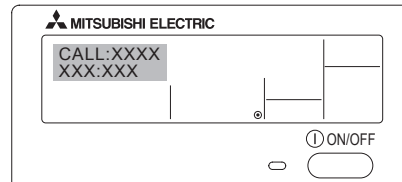
Wenn Sie eine Telefonnummer eingegeben haben, die bei Auftreten eines Problems angerufen werden sollte, zeigt der Bildschirm diese Nummer an. (Sie können dies in der Funktionsauswahl einrichten. Informationen dazu finden Sie in Abschnitt 8.)

- Falls Lampe EIN und Fehlercode gleichzeitig blinken: Dies bedeutet, daß die Klimaanlage gestört ist und der Betrieb gestoppt wurde (und nicht wiederaufgenommen werden kann). Notieren Sie sich die angegebene Gerätenummer und den Fehlercode und schalten Sie dann die Netztaсте der Klimaanlage aus und rufen Sie Ihren Händler oder Servicetechniker.

Wenn die Taste Check gedrückt ist:



Fehlercode



- Falls nur der Fehlercode blinkt (während die Lampe EIN leuchtet): Der Betrieb läuft weiter, es kann jedoch ein Problem mit dem System vorliegen. In diesem Fall sollten Sie den Fehlercode notieren und Ihren Händler oder Servicetechniker um Rat fragen.
- \* Falls Sie eine Telefonnummer eingegeben haben, die bei Auftreten eines Problems angerufen werden soll, drücken Sie die Taste Check und die Nummer wird auf dem Bildschirm angezeigt. (Sie können dies in der Funktionsauswahl einrichten. Informationen dazu finden Sie in Abschnitt 8.)

## 8. Funktionsauswahl

### Funktionsauswahl an der Fernbedienung

Die Einstellung der folgenden Fernbedienungsfunktionen kann mit dem Auswahlmodus der Fernbedienungsfunktion geändert werden. Ändern Sie die Einstellung nach Bedarf.

Eintrag 1	Eintrag 2	Eintrag 3 (Inhalt der Einstellungen)
1. Sprache ändern ("CHANGE LANGUAGE")	Einstellung der angezeigten Sprache	• Anzeige in mehreren Sprachen ist möglich
2. Funktionsgrenzen ("Funktion auswählen")	(1) Einstellung der Funktionsgrenzen bei der Bedienung (Operation Lock) ("Sperr-Funktion")	• Einstellung der Funktionsgrenzen bei der Bedienung (Operation Lock)
	(2) Einstellung der Benutzung der Betriebsart Automatisch ("Auswahl autobetrieb")	• Einstellung, ob die Betriebsart "Automatisch" benutzt wird oder nicht
	(3) Einstellung der Temperaturgrenzen ("Limit temp Funktion")	• Einstellung des Temperaturbereichs (Maximum, Minimum)
3. Auswahl der Betriebsart ("Betriebsart wählen")	(1) Haupt-/Nebenfunktion der Fernbedienung ("Haupt/Neben controller")	• Auswahl der Funktion als Haupt-/Nebenfernbedienung * Wenn zwei Fernbedienungen in einer Gruppe angeschlossen sind, muss eine der beiden als Nebengerät arbeiten.
	(2) Benutzung der Uhreinstellung ("Uhr")	• Einstellung, ob die Zeitfunktionen benutzt werden oder nicht
	(3) Einstellung der Timer-Funktion ("Wochenzeit schalt uhr")	• Einstellen des Timer-Typs
	(4) Kontaktnummer für den Fall von Fehlfunktionen ("CALL.")	• Anzeige der Kontaktnummer für den Fall von Fehlfunktionen • Einstellen der Telefonnummer
4. Änderung der Anzeige ("Anzeige betriebsart")	(1) Temperatureinstellung in °C/°F ("Wechsel °C/°F")	• Einstellen der Temperatureinheit der Anzeige (°C oder °F)
	(2) Einstellung der Anzeige der Luftansaugtemperatur ("Raum TEMP gewählt")	• Einstellung, ob die Temperatur der (angesaugten) Innenluft angezeigt wird oder nicht
	(3) Einstellung der automatischen Kühl-/Heizanzeige ("Auto Betrieb C/H")	• Einstellung, ob "Cooling" oder "Heating" (Kühlen/Heizen) in der Betriebsart Automatisch angezeigt werden oder nicht

# 8. Funktionsauswahl

[Flussdiagramm der Funktionsauswahl]  
Spracheinstellung (Englisch)

Normalbetriebsanzeige  
(Anzeige bei deaktivierter Klimaanlage)

Halten Sie die Taste (E) gedrückt und drücken Sie Taste (D) zwei Sekunden lang.

Halten Sie die Taste (E) gedrückt und drücken Sie Taste (D) zwei Sekunden lang.

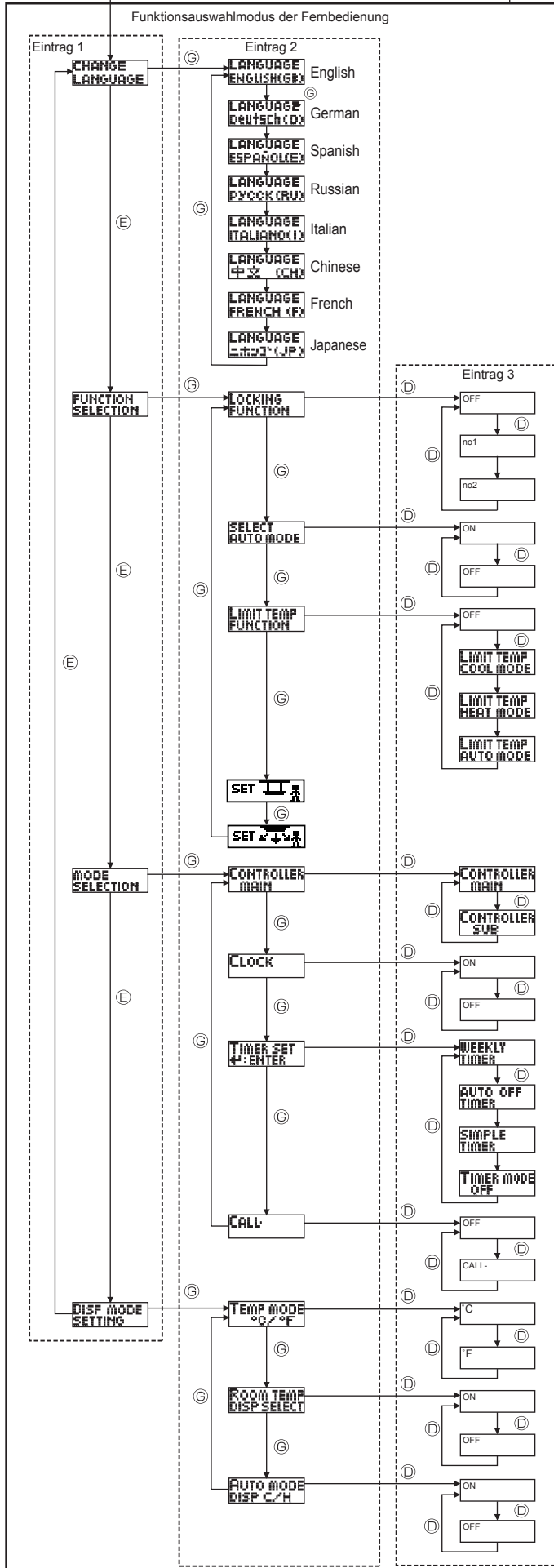
- (E) Drücken Sie die Taste für die Betriebsart.
- (G) Drücken Sie die Taste TIMER MENU (TIMER-MENÜ).
- (D) Drücken Sie die Taste TIMER ON/OFF (TIMER EIN/AUS).

Sprache ändern

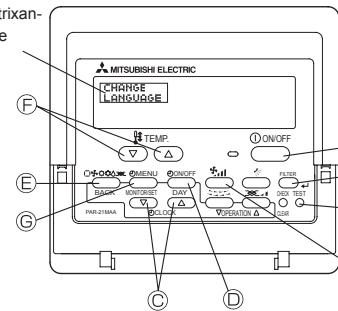
Funktion auswählen

Betriebsart wählen

Anzeige betriebsart



Punktmatrix-  
anzeige



Einstellung für die Bedienungssperre wird nicht benutzt.  
(Anfänglicher Einstellungswert)

Bedienungssperre außer für Taste On/Off (Ein/Aus).

Bedienungssperre für alle Tasten.

Die Betriebsart Automatisch wird angezeigt, wenn die Betriebsart gewählt wird. (Anfänglicher Einstellungswert)

Die Betriebsart Automatisch wird nicht angezeigt, wenn die Betriebsart gewählt wird.

Die Temperaturbereichsgrenzen sind nicht aktiv. (Anfänglicher Einstellungswert)

Der Temperaturbereich kann in der Betriebsart Kühlen/Trocken geändert werden.

Der Temperaturbereich kann in der Betriebsart Heizen geändert werden.

Der Temperaturbereich kann in der Betriebsart Automatisch geändert werden.

Betriebsart für automatisches Heben/Senken der Filterhöhenplatte  
Die Einstellung dieses Modus erübrigt sich. Einzelheiten zum Betrieb finden Sie in der BEDIENUNGSANLEITUNG der Sonderteile (Platte).

Modus für fixierte Luftstromrichtung

Die Einstellung dieses Modus erübrigt sich. Einzelheiten zum Betrieb finden Sie in der BEDIENUNGSANLEITUNG des Innengerätes.  
Die Fernbedienung fungiert als Hauptfernbedienung. (Anfänglicher Einstellungswert)

Die Fernbedienung fungiert als Nebenfernbedienung.

Die Uhrfunktion kann benutzt werden. (Anfänglicher Einstellungswert)

Die Uhrfunktion kann nicht benutzt werden.

Der wöchentliche Timer kann benutzt werden. (Anfänglicher Einstellungswert)

Der Timer für automatisches Ausschalten kann benutzt werden.

Der einfache Timer kann benutzt werden.

Betriebsart Timer kann nicht benutzt werden.

Die eingestellten Kontaktnummern werden im Falle von Fehlern nicht angezeigt. (Anfänglicher Einstellungswert)

Die eingestellten Kontaktnummern werden im Falle von Fehlern angezeigt.

Die Temperatureinheit °C wird verwendet. (Anfänglicher Einstellungswert)

Die Temperatureinheit °F wird verwendet.

Die Umgebungstemperatur wird angezeigt. (Anfänglicher Einstellungswert)

Die Umgebungstemperatur wird nicht angezeigt.

Entweder "Automatic cooling" (automatisches Kühlen) oder "Automatic heating" (automatisches Heizen) wird angezeigt, wenn die Betriebsart Automatisch gewählt wurde. (Anfänglicher Einstellungswert)

Nur "Automatic" (automatisch) wird in der Betriebsart Automatisch angezeigt.

## 8. Funktionsauswahl

### [Genaue Einstellung]

#### [4]–1. Einstellung CHANGE LANGUAGE (Sprache ändern)

Die Sprache des Punktmatrix-Displays kann eingestellt werden.

- Drücken Sie die Taste [ ⊖ MENU ] , ⊕ um die Sprache einzustellen.  
① Englisch (GB), ② Deutsch (D), ③ Spanisch (E), ④ Russisch (RU),  
⑤ Italienisch (I), ⑥ Chinesisch (CH), ⑦ französisch (F), ⑧ Japanisch (JP)

Siehe Punktmatrix-Tabelle.

#### [4]–2. Funktionsgrenzen

##### (1) Einstellung der Funktionsgrenzen bei der Bedienung (Operation Lock)

- Zur Umschaltung der Einstellung drücken Sie die Taste [ ⊖ ON/OFF ] ⊕.  
① no1: Die Einstellung der Bedienungssperre (Operation Lock) gilt für alle Tasten außer der [ ⊖ ON/OFF ]-Taste.  
② no2: Die Einstellung der Bedienungssperre gilt für alle Tasten.  
③ OFF (Anfängliche Einstellungswert):  
Die Einstellung der Bedienungssperre wird nicht vorgenommen.

\* Damit die Bedienungssperre (Operation Lock) in der normalen Anzeige gültig ist, müssen Sie die [FILTER]-Taste gedrückt halten und währenddessen die Taste [ ⊖ ON/OFF ] zwei Sekunden lang drücken, nachdem Sie die obige Einstellung durchgeführt haben.

##### (2) Einstellung der Benutzung der Betriebsart Automatisch

Wenn die Fernbedienung an einem Gerät angeschlossen ist, bei dem ein automatischer Betrieb möglich ist, können die folgenden Einstellungen vorgenommen werden.

- Zur Umschaltung der Einstellung drücken Sie die Taste [ ⊖ ON/OFF ] ⊕.  
① ON (Anfängliche Einstellungswert):  
Die Betriebsart Automatisch wird angezeigt, wenn diese Betriebsart ausgewählt wird.  
② OFF:  
Die Betriebsart Automatisch wird nicht angezeigt, wenn diese Betriebsart ausgewählt wird.

##### (3) Einstellung der Temperaturgrenzen

Nach dieser Einstellung kann die Temperatur im eingestellten Bereich verändert werden.

- Zur Umschaltung der Einstellung drücken Sie die Taste [ ⊖ ON/OFF ] ⊕.  
① Limit Kühl Temp:  
Der Temperaturbereich kann in der Betriebsart Kühlen/Trocknen geändert werden.  
② Limit Heiz Temp:  
Der Temperaturbereich kann in der Betriebsart Heizen geändert werden.  
③ Limit Auto Temp:  
Der Temperaturbereich kann in der Betriebsart Automatisch geändert werden.  
④ OFF (Anfangseinstellung): Die Temperaturbereichsgrenzen sind nicht aktiv.

\* Wenn eine andere Einstellung als OFF gewählt wird, werden die Temperaturbereichsgrenzen für Kühlen, Heizen und automatischen Betrieb gleichzeitig eingestellt. Der Bereich kann jedoch nicht begrenzt werden, wenn der eingestellte Temperaturbereich sich nicht geändert hat.

- Um die Temperatur zu erhöhen oder zu verringern, drücken Sie die Taste [ ⬇ TEMP. (▽) oder (Δ) ] ⊕.  
• Um die Obergrenze und die Untergrenze einzustellen, drücken Sie die Taste [ \* , ⬆ ] ⊕. Die ausgewählte Einstellung blinkt, und die Temperatur kann eingestellt werden.

• Einstellbarer Bereich

Betriebsart Kühlen/Trocknen:  
Untergrenze: 19°C bis 30°C    Obergrenze: 30°C bis 19°C

Betriebsart Heizen:  
Untergrenze: 17°C bis 28°C    Obergrenze: 28°C bis 17°C

Betriebsart Automatisch:  
Untergrenze: 19°C bis 28°C    Obergrenze: 28°C bis 19°C

#### [4]–3. Einstellen der Auswahl der Betriebsart

##### (1) Haupt-/Nebenfunktion der Fernbedienung

- Zur Umschaltung der Einstellung drücken Sie die Taste [ ⊖ ON/OFF ] ⊕.  
① Haupt: Die Fernbedienung fungiert als Hauptfernbedienung.  
② Neben: Die Fernbedienung fungiert als Nebenfernbedienung.

##### (2) Benutzung der Uhreinstellung

- Zur Umschaltung der Einstellung drücken Sie die Taste [ ⊖ ON/OFF ] ⊕.  
① ON: Die Clock-Funktion kann benutzt werden.  
② OFF: Die Clock-Funktion kann nicht benutzt werden.

##### (3) Einstellung der Timer-Funktion

- Zur Umschaltung der Einstellung drücken Sie die Taste [ ⊖ ON/OFF ] ⊕ (Wählen Sie einen der folgenden Einträge aus.).  
① Wochenzeit schalt uhr (Anfängliche Einstellungswert):  
Der Wochen-Timer kann benutzt werden.  
② Auto Zeit funktion Aus:  
Der Auto-Off-Timer kann benutzt werden.  
③ Einfache zeit funktion:  
Der einfache Timer kann benutzt werden.  
④ Zeitschaltuhr Aus:  
Der Timer-Modus kann nicht benutzt werden.
- \* Wenn die Verwendung der Clock-Einstellung auf OFF steht, kann "Wochenzeit schalt uhr" nicht benutzt werden.

##### (4) Kontakt Nummer für den Fall von Fehlfunktionen

- Zur Umschaltung der Einstellung drücken Sie die Taste [ ⊖ ON/OFF ] ⊕.  
① CALL OFF:  
Die eingestellten Kontakt Nummern werden im Falle von Fehlfunktionen nicht angezeigt.  
② CALL \*\*\*\* \* \* \* \* \*:  
Die eingestellten Kontakt Nummern werden im Falle von Fehlfunktionen angezeigt.  
CALL\_:  
Die Kontakt Nummer kann eingestellt werden, wenn das Display im oben angegebenen Zustand ist.
- Eingabe der Kontakt Nummern  
Zur Eingabe der Kontakt Nummern gehen Sie wie folgt vor. Bewegen Sie den blinkenden Cursor zu den eingestellten Nummern. Drücken Sie die Taste [ ⬇ TEMP. (▽) und (Δ) ] ⊕, um den Cursor nach rechts (links) zu bewegen. Drücken Sie die Taste [ ⊖ CLOCK (▽) und (Δ) ] ⊕, um die Nummern einzustellen.

#### [4]–4. Einstellung der Anzeige

##### (1) Temperatureinstellung in °C/°F

- Zur Umschaltung der Einstellung drücken Sie die Taste [ ⊖ ON/OFF ] ⊕.  
① °C: Für die Temperatur wird die Einheit Celsius (°C) verwendet.  
② °F: Für die Temperatur wird die Einheit Fahrenheit (°F) verwendet.

##### (2) Einstellung der Raumlufttemperaturanzeige

- Zur Umschaltung der Einstellung drücken Sie die Taste [ ⊖ ON/OFF ] ⊕.  
① ON: Die Temperatur der Ansaugluft wird angezeigt.  
② OFF: Die Temperatur der Ansaugluft wird nicht angezeigt.

##### (3) Einstellung der automatischen Kühl-/Heizanzeige

- Zur Umschaltung der Einstellung drücken Sie die Taste [ ⊖ ON/OFF ] ⊕.  
① ON:  
Entweder "Automatic cooling" (Automatisches Kühlen) oder "Automatic heating" (Automatisches Heizen) wird in der Betriebsart Automatisch angezeigt.  
② OFF:  
Nur "Automatic" wird in der Betriebsart Automatisch angezeigt.



## 8. Funktionsauswahl

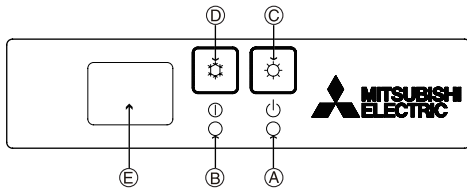
[Tabelle Punktmatrix]

Spracheinstellung		English	German	Spanish	Russian	Italian	Chinese	French	Japanese
Warten auf Start		PLEASE WAIT	←	←	←	←	←	←	←
Betriebsart	Kühlen	COOL	Kühlen	FRÍO	Холод	COOL	制冷	FROID	冷房
	Trocknen	DRY	Trocknen	DESHUMIDIFICACIÓN	Сушка	DRY	除湿	DESHU	ドライ
	Heizen	HEAT	Heizen	CALOR	Тепло	HEAT	制热	CHAUD	暖房
	Automatik	AUTO	AUTO	AUTO-MÁTICO	АВТО	AUTO	自动	AUTO	自動
	Automatik (Kühlen)	COOL	Kühlen	FRÍO	Холод	COOL	制冷	FROID	冷房
	Automatik (Heizen)	HEAT	Heizen	CALOR	Тепло	HEAT	制热	CHAUD	暖房
	Gebläse	FAN	Lüfter	VENTILACIÓN	ВЕНТ	VENTILAZIONE	送风	VENTILATION	送風
	Belüftung	VENTILATION	Gebläse Betrieb	VENTILACIÓN	ВЕНТИЛЯЦИЯ	ARIA ESTERNA	换气	VENTILATION	換気
	Stand By (Voreinstellungen möglich)	STAND BY	STAND BY	CALENTANDO	ОБОГРЕВ: ПАЗА	STAND BY	准备中	PRE CHAUFFAGE	準備中
Abtauen	DEFROST	Abtauen	DESCONGELACIÓN	ОТТАВЛИВАНИЕ	SBRINAMENTO	除霜中	DEGIVRAGE	霜取中	
Eingestellte Temperatur		SET TEMP	TEMP einstellen	TEMP. CONSIGNA	ЦЕЛЕВАЯ ТЕМПЕРАТУРА	IMPOSTAZIONE TEMPERATURA	设定温度	REGLAGE TEMPERATURE	設定温度
Lüftergeschwindigkeit		FAN SPEED	Lüftersgeschwindigkeit	VELOCIDAD VENTILADOR	СКОРОСТЬ ВЕНТИЛЯТОРА	VELOCITÀ VENTILATORE	风速	VITESSE DE VENTILATION	風速
Nicht verwendete Taste		NOT AVAILABLE	nicht verfügbar	NO DISPONIBLE	НЕ ДОСТУПНО	NON DISPONIBILE	无效按钮	NON DISPONIBLE	無効ボタン
Prüfen (Fehler)		CHECK	Prüfen	COMPROBAR	ПРОВЕРКА	CHECK	検査	CONTROLE	点検
Testlauf		TEST RUN	Testbetrieb	TEST FUNCIONAMIENTO	ТЕСТОВЫЙ ЗАПУСК	TEST RUN	试运行	TEST	試運転
Selbsttest		SELF CHECK	Selbst-diagnose	AUTO REVISIÓN	САМОДИАГНОСТИКА	SELF CHECK	自我诊断	AUTO CONTRÔLE	自己診断
Auswahl der Gerätefunktion		FUNCTION SELECTION	Funktion Auswahl	SELECCIÓN DE FUNCIÓN	ВЫБОР ФУНКЦИИ	SELEZIONE FUNZIONI	功能选择	SELECTION FONCTIONS	メニュー選択
Lüfterstufen wählen		SETTING OF VENTILATION	Lüfterstufen wählen	CONFIG. VENTILACIÓN	НАСТРОЙКА ВЕНТИЛЯЦИИ	IMPOSTAZIONE ARIA ESTERNA	换气设定	SELECTION VENTILATION	換気設定

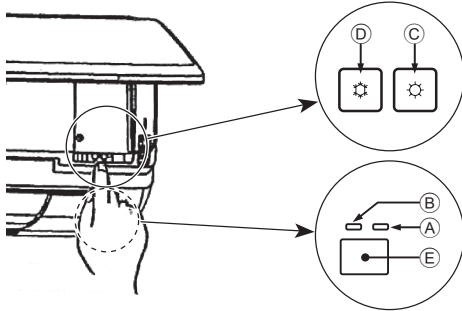
Spracheinstellung		English	German	Spanish	Russian	Italian	Chinese	French	Japanese
Sprache ändern		CHANGE LANGUAGE	←	←	←	←	←	←	←
Funktion auswählen		FUNCTION SELECTION	Funktion auswählen	SELECCIÓN DE FUNCIONES	ВЫБОР ФУНКЦИИ	SELEZIONE FUNZIONI	功能限制	SELECTION FONCTIONS	メニュー制限
Einschränkung der Bedienungsfunktionen		LOCKING FUNCTION	Sperr - Funktion	FUNCION BLOQUEADA	ФУНКЦИЯ БЛОКИРОВКИ	BLOCCO FUNZIONI	操作限制	BLOCAGE FONCTIONS	操作ロック
Betriebsart Automatisch wählen		SELECT AUTO MODE	Auswahl Auto Betrieb	SELECCIÓN MODO AUTO	ВЫБОР РЕЖИМА АВТО	SELEZIONE MODO AUTO	自动模式	SELECTION DU MODO AUTO	自動モード
Temperaturbereichsgrenzen einstellen		LIMIT TEMP FUNCTION	Limit Temp Funktion	LIMIT TEMP CONSIGNA	ОГРАНИЧЕНИЕ УСТ.ТЕМПЕРАТ	LIMITAZIONE TEMPERATURA	温度限制	LIMITATION TEMPERATURE	温度制限
Temperatur in Betriebsart Kühlen/Tag begrenzen		LIMIT TEMP COOL MODE	Limit Kühl Temp	LIMIT TEMP MODO FRÍO	ОГРАНИЧЕНИЕ ОХЛАЖДЕНИЯ	LIMITAZIONE MODO COOL	制冷范围	LIMITE TEMP MODO FROID	制冷冷房
Temperatur in Betriebsart Heizen begrenzen		LIMIT TEMP HEAT MODE	Limit Heiz Temp	LIMIT TEMP MODO CALOR	ОГРАНИЧЕНИЕ ОБОГРЕВА	LIMITAZIONE MODO HEAT	制热范围	LIMITE TEMP MODO CHAUD	制热暖房
Temperatur in Betriebsart Automatisch begrenzen		LIMIT TEMP AUTO MODE	Limit Auto Temp	LIMIT TEMP MODO AUTO	ОГРАНИЧЕНИЕ РЕЖИМА АВТО	LIMITAZIONE MODO AUTO	自动范围	LIMITE TEMP MODO AUTO	制自动
Betriebsart auswählen		MODE SELECTION	Betriebsart wählen	SELECCIÓN DE MODO	ВЫБОР РЕЖИМА	SELEZIONE MODO	基本模式	SELECTION DU MODO	基本メニュー
Fernbedienung auf MAIN (HAUPT) einstellen		CONTROLLER MAIN	Haupt Controller	CONTROL PRINCIPAL	ОСНОВНОЙ ПУЛЬТ	CONTROLLO MAIN	遥控主	TELCOMMANDE MAITRE	リモコン 主機
Fernbedienung auf SUB (NEBEN) einstellen		CONTROLLER SUB	Neben Controller	CONTROL SECUNDARIO	ДОПОЛНИТЕЛЬНЫЙ ПУЛЬТ	CONTROLLO SUB	遥控辅	TELCOMMANDE ESCLAVE	リモコン 主副
Uhreinstellung benutzen		CLOCK	Uhr	RELOJ	ЧАСЫ	OROLOGIO	时钟	AFFICHAGE HORLOGE	時計 ヨウウ
Wochentag und Zeit einstellen		TIME SET 4:ENTER	Uhr stellen 4:einstellen	CONFIG RELOJ 4:CONFIG	ЧАСЫ:УСТ. 4:ВВОД	OROLOGIO 4:ENTER	时间 4:ENTER	HORLOGE 4:ENTRER	トクイ セットイ 4: カブテイ
Timer einstellen		TIMER SET 4:ENTER	Zeitschaltuhr 4:einstellen	TEMPORIZA - DOR 4:CONFIG	ТАЙМЕР:УСТ. 4:ВВОД	TIMER 4:ENTER	定时器 4:ENTER	PROG HORAIRE 4:ENTRER	タイマー-セットイ 4: カブテイ
Timer anzeigen		TIMER MONITOR	Uhrzeit Anzeige	VISUALIZAR TEMPORIZAD.	ПРОСМОТР ТАЙМЕРА	VISUALIZ TIMER	定时器状态	AFFICHAGE PROG HORAIRE	タイマー-モニター
Wöchentlicher Timer		WEEKLY TIMER	Wochenzeit schalt Uhr	TEMPORIZA - DOR SEMANAL	НЕДЕЛЬНЫЙ ТАЙМЕР	TIMER SETTIMANALE	每周定时器	PROG NEBDO MADAIRE	タイマー-週間
Betriebsart Timer aus		TIMER MODE OFF	Zeitschaltuhr AUS	TEMPORIZA - DOR APAGADO	ТАЙМЕР ВЫКЛ.	TIMER OFF	定时器无效	PROG HORAIRE INACTIF	タイマー-無効
Timer für automatisches Ausschalten		AUTO OFF TIMER	Auto Zeit funktion AUS	APAGADO AUTOMÁTICO	АВТОМАТИЧ. ПО ТАЙМЕРУ	AUTO OFF TIMER	解除定时	PROG HORAIRE ARRET AUTO	タイマー-オートス トッウ
Einfacher Timer		SIMPLE TIMER	Einfache Zeitfunktion	TEMPORIZA - DOR SIMPLE	ПРОСТОЙ ТАЙМЕР	TIMER SEMPLIFICATO	简易定时器	PROG HORAIRE SIMPLIFIE	タイマー-カンイ
Kontaktnummer bei Fehlern		CALL	←	←	←	←	←	←	←
Änderung anzeigen		DISP MODE SETTING	Anzeige Betriebsart	MOSTRAR MODO	НАСТРОЙКА ИЛИ РЕЖИМА	IMPOSTAZIONE MODO DISPLAY	转换表示	AFFICHAGE SOUS MENU	表示切替
Einstellung °C/°F für Temperaturanzeige		TEMP MODE °C/°F	Wechsel °C/°F	TEMP GRADOS °C/°F	ЕДИН.ТЕМПЕР °C/°F	TEMPERATURA °C/°F	温度 °C/°F	TEMPERATURE °C/°F	温度 °C/°F
Einstellung für Anzeige der Umgebungstemperatur		ROOM TEMP DISP SELECT	Raum Temp gewählt	MOSTRAR TEMP	ПОКАЗЫВАТЬ ТЕМП.В КОМН.	TEMPERATURA AMBIENTE	吸入温度	TEMPERATURE AMBIANTE	スイコエントド ヲウウ
Einstellung für Anzeige bei automatischem Kühlen/Heizen		AUTO MODE DISP C/H	Auto Betrieb C/H	MOSTRAR F/C EN AUTO	ИЛИ Т/Х В РЕЖИМЕ АВТО	AUTO C/H	自动表示	AFFICHAGE AUTO F/C	自動 表示 ヲウウ



## 9. Notbetrieb bei schnurloser Fernbedienung



(Bei PKFY-P-VHM-E)



### Wenn die Fernbedienung nicht benutzt werden kann.

Wenn die Batterien der Fernbedienung leer sind oder bei Fehlfunktionen der Fernbedienung, kann mit den Nottasten der Notbetrieb erfolgen.

- Ⓐ DEFROST/STAND BY  
(Enteisen/Betriebsbereitschaft)-Kontrolllampe
- Ⓑ Betriebskontrolllampe
- Ⓒ Notbetriebsschalter (heizen)
- Ⓓ Notbetriebsschalter (kühlen)
- Ⓔ Empfänger

Den Betrieb starten

- Zur Ausführung des Kühlmodus die Taste Ⓒ länger als 2 Sekunden drücken.
- Zur Ausführung des Heizmodus die Taste Ⓓ länger als 2 Sekunden drücken.

### Hinweis:

- Einzelheiten über den Notbetrieb sind nachstehend dargestellt.

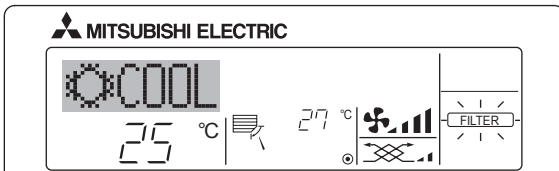
Einzelheiten über den NOTBETRIEB sind nachstehend dargestellt.

Betriebsart	KÜHLEN	HEIZEN
Eingestellte Temperatur	24°C	24°C
Gebäsedrehzahl	Schnell	Schnell
Luftstromrichtung	Horizontal	Abwärts 4 (5)

Ausschalten des Betriebs

- Zum Ausschalten des Betriebs die Ⓒ-Taste Ⓓ oder die Ⓓ-Taste Ⓒ länger als 2 Sekunden drücken.

## 10. Pflege und Reinigung



- Anzeige, dass der Filter gereinigt werden muss.  
Filter reinigen.

- "FILTER"-Anzeige zurücksetzen

Wird nach dem Reinigen des Filters die Taste [FILTER] zwei Mal hintereinander gedrückt, wird die Anzeige gelöscht und zurückgesetzt.

### Hinweis:

- Werden zwei oder mehr Innenanlagen gesteuert, kann die Reinigungsperiode entsprechend der Filtertypen unterschiedlich sein. Wird die Reinigungsperiode der Hauptanlage erreicht, wird "FILTER" angezeigt. Ist die Anzeige Filter ausgeschaltet, ist die kumulierte Zeit zurückgesetzt.
- "FILTER" zeigt die Reinigungsperiode an, in der die Klimaanlage unter allgemeinen inneren Luftbedingungen in einer bestimmten Zeit betrieben wurde. Da der Grad der Verunreinigung von den Umgebungsbedingungen abhängig ist, muss der Filter entsprechend gereinigt werden.
- Die kumulative Zeit der Reinigungsperiode der Filter unterscheidet sich nach den entsprechenden Modellen.
- Diese Anzeige ist bei schnurlosen Fernbedienungen nicht verfügbar.

### ► Reinigung der Filter

- Die Filter mit einem Staubsauger reinigen. Wenn Sie keinen Staubsauger besitzen, den Schmutz und Staub durch Klopfen der Filter auf einen harten Gegenstand hinaus befördern.
- Wenn die Filter besonders schmutzig sind, diese in lauwarmem Wasser auswaschen. Sorgfältig darauf achten, das Waschmittel gründlich auszuspülen und die Filter vor dem Wiedereinsetzen in die Anlage vollständig trocknen lassen.

### ⚠ Vorsicht:

- Die Filter nicht in direktem Sonnenlicht oder unter Verwendung einer Wärmequelle, wie etwa einer Elektroheizung, trocknen: sie können sich dadurch verformen.
- Die Filter nicht in heißem Wasser (mehr als 50°C) waschen, da sie sich sonst verformen können.
- Dafür sorgen, dass die Luftfilter immer installiert sind. Der Betrieb der Anlage ohne Luftfilter kann zu Fehlfunktionen führen.

### ⚠ Vorsicht:

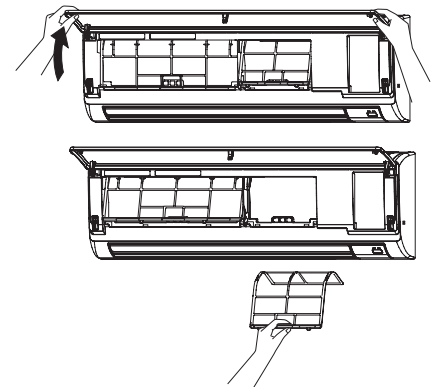
- Zur Reinigung muss unbedingt der Betrieb eingestellt und die Stromversorgung ausgeschaltet werden.
- Jede Inneneinheit hat Filter, um Staub aus der angesaugten Luft zu entfernen. Reinigen Sie die Filter unter Bezug auf die folgenden Abbildungen.

### ► Filter entfernen

#### ⚠ Vorsicht:

- Bei Entfernen des Filters Vorsichtsmaßnahmen treffen, um die Augen vor dem Staub zu schützen. Außerdem darauf achten, nicht zu fallen, falls für diese Aufgabe ein Hocker benutzt werden muss.
- Wenn der Filter entfernt ist, die metallenen Bauteile im Inneren der Innenanlage nicht berühren; andernfalls können Sie sich verletzen.

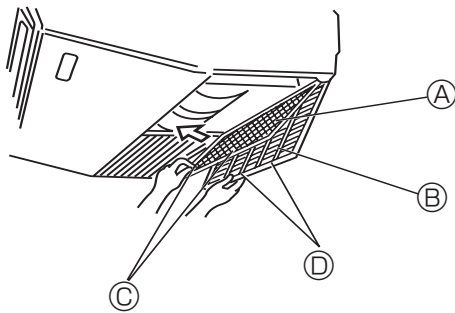
- PKFY-P-VBM-E  
PKFY-P-VHM-E



- ① Beide unteren Ecken des Ansauggitters zum Öffnen des Gitters ziehen, dann den Filter anheben.

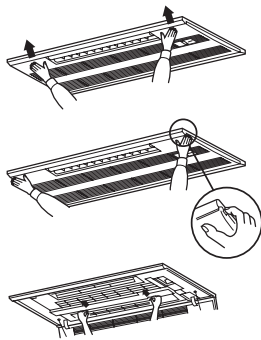
## 10. Pflege und Reinigung

### ■ PCFY-P-VKM-E



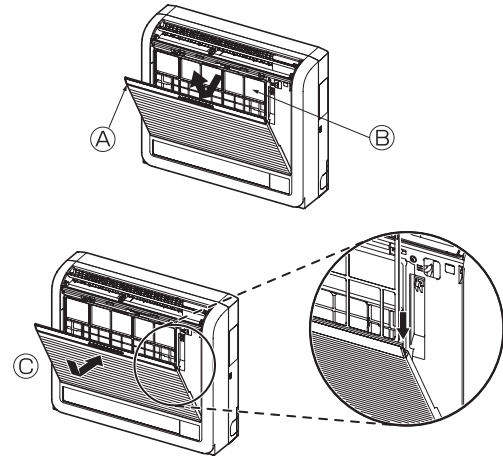
- ① Das Ansauggitter öffnen.
  - ② Den Knopf am Filter ergreifen, dann den Filter nach oben in Pfeilrichtung ziehen. Zum Ersetzen des Filters nach der Reinigung vergewissern, dass der Filter weit genug eingesetzt wird, bis er ganz in das Verschlussstück hineinpasst.
- A Filter    B Ansauggitter    C Knopf    D Verschlussstück

### ■ PMFY-P-VBM-E



- ① Durch Drücken der Taste PUSH (DRÜCKEN) an der Außenseite des Ansauggitters wird das Ansauggitter geöffnet.
- ② Ein Filter im Ansauggitter kann durch Ziehen nach vorne herausgenommen werden.

### ■ PFFY-P-VKM-E(2)



- ① Den Catechin-Luftfilter entfernen.
- A Das Frontgitter öffnen  
B Catechin-Luftfilter





#### ⚠ Vorsicht:

Fassen Sie beim Entfernen des Catechin-Luftfilters nicht die Metallteile der Inneneinheit an.

Anderenfalls können Sie sich Verletzungen zuziehen.

- ② Den Catechin-Luftfilter wieder einsetzen.  
Achten Sie darauf, beide Seiten in die Laschen einzudrücken, wie gezeigt.
- ③ Das Frontgitter fest verschließen.

## 11. Fehlerbehebung

Probleme?	Hier ist die Lösung. (Gerät arbeitet normal.)
Klimaanlage heizt bzw. kühlt schlecht.	<ul style="list-style-type: none"> <li>■ Reinigen Sie den Filter. (Bei verschmutztem oder blockiertem Filter wird der Luftstrom behindert.)</li> <li>■ Prüfen Sie die Temperaturanpassung und passen Sie die eingestellte Temperatur an.</li> <li>■ Stellen Sie sicher, dass um das Außengerät herum genügend Freiraum ist. Ist der Luften- oder Luftauslass des Innengeräts blockiert?</li> <li>■ Wurde eine Tür oder ein Fenster offen stehen gelassen?</li> </ul>
Beim Anlaufen des Heizvorgangs dauert es eine Zeit, bis warme Luft vom Innengerät abgegeben wird.	<ul style="list-style-type: none"> <li>■ Erst wenn das Innengerät sich ausreichend erwärmt hat, bläst es warme Luft.</li> </ul>
In der Betriebsart Heizen stoppt die Klimaanlage, bevor die eingestellte Umgebungstemperatur erreicht wurde.	<ul style="list-style-type: none"> <li>■ Wenn die Außentemperatur gering ist und die Feuchtigkeit hoch, kann sich Eis auf dem Außengerät bilden. Wenn dies geschieht, führt das Außengerät einen Abtauvorgang aus. Normaler Betrieb sollte nach ungefähr 10 Minuten beginnen.</li> </ul>
Richtung des Luftstroms ändert sich bei laufendem Betrieb oder die Richtung des Luftstroms kann nicht eingestellt werden.	<ul style="list-style-type: none"> <li>■ In der Betriebsart Kühlen werden die Klappen nach 1 Stunde automatisch in horizontale Stellung (nach unten) gebracht, wenn die Luftstromrichtung nach unten (horizontal) gewählt wurde. Dies soll verhindern, dass sich Wasser an den Klappen bildet und heruntertropft.</li> <li>■ In der Betriebsart Heizen werden die Klappen automatisch in horizontale Luftstromrichtung gebracht, wenn die Luftstromtemperatur zu niedrig ist oder in der Betriebsart Abtauen.</li> </ul>
Wenn die Luftstromrichtung geändert wird, bewegen sich die Klappen auf und ab über die eingestellte Position hinaus, bevor sie schließlich in der eingestellten Position stoppen.	<ul style="list-style-type: none"> <li>■ Wenn die Luftstromrichtung geändert wird, bewegen sich die Klappen in die eingestellte Position, nachdem die Grundstellung erkannt wurde.</li> </ul>
Gelegentlich ist ein Geräusch wie fließendes Wasser oder ein Zischen zu hören.	<ul style="list-style-type: none"> <li>■ Diese Geräusche entstehen, wenn Kältemittel in der Klimaanlage fließt oder wenn sich der Kältemitteldurchfluss ändert.</li> </ul>
Ein Knarren oder Quietschen ist zu hören.	<ul style="list-style-type: none"> <li>■ Diese Geräusche werden durch Teile verursacht, die aneinander reiben aufgrund von Ausdehnung und Zusammenziehen bei Temperaturänderungen.</li> </ul>
Der Raum wird von einem unangenehmen Geruch durchströmt.	<ul style="list-style-type: none"> <li>■ Das Innengerät saugt Luft ein, die mit den Ausdünstungen der Wände, Teppiche und Möbel durchsetzt ist, sowie mit Gerüchen, die sich in Kleidung befinden, und bläst diese Luft anschließend zurück in den Raum.</li> </ul>
Das Innengerät strömt einen weißen Nebel oder Dampf aus.	<ul style="list-style-type: none"> <li>■ Wenn Innentemperatur und Feuchtigkeit hoch sind, kann es bei Betriebsbeginn zu dieser Erscheinung kommen.</li> <li>■ In der Betriebsart Abtauen kann ein kühler Luftstrom nach unten blasen und wie Nebel erscheinen.</li> </ul>
Das Außengerät strömt Wasser oder Dampf aus.	<ul style="list-style-type: none"> <li>■ In der Betriebsart Kühlen kann sich Wasser bilden und von kalten Rohren und Verbindungen tropfen.</li> <li>■ In der Betriebsart Heizen kann sich Wasser bilden und vom Wärmetauscher heruntertropfen.</li> <li>■ In der Betriebsart Abtauen verdunstet Wasser auf dem Wärmetauscher und Wasserdampf kann ausströmen.</li> </ul>
Die Betriebsanzeige erscheint nicht im Display der Fernbedienung.	<ul style="list-style-type: none"> <li>■ Schalten Sie den Netzschalter ein. "●" erscheint im Display der Fernbedienung.</li> </ul>
Die Klimaanlage läuft nicht, obwohl die Taste ON/OFF gedrückt wird. Die Betriebsartanzeige an der Fernbedienung erlischt	<ul style="list-style-type: none"> <li>■ Ist der Netzschalter des Innengerätes ausgeschaltet? Schalten Sie den Netzschalter ein.</li> </ul>
"  " erscheint im Display der Fernbedienung.	<ul style="list-style-type: none"> <li>■ Bei Zentralsteuerung erscheint "" im Display der Fernbedienung und der Klimaanlagenbetrieb kann mit der Fernbedienung weder aufgenommen noch gestoppt werden.</li> </ul>
Wenn die Klimaanlage erneut gestartet wird kurz nachdem sie ausgeschaltet wurde, lässt sie sich auch durch Drücken auf die Taste ON/OFF (EIN/AUS) nicht einschalten.	<ul style="list-style-type: none"> <li>■ Warten Sie etwa drei Minuten. (Der Betrieb wurde zum Schutz der Klimaanlage eingestellt.)</li> </ul>
Die Klimaanlage schaltet sich ein, ohne dass die Taste ON/OFF (EIN/AUS) gedrückt wurde.	<ul style="list-style-type: none"> <li>■ Ist der Timer zum Einschalten gesetzt? Drücken Sie auf ON/OFF, um das Gerät auszuschalten.</li> <li>■ Ist die Klimaanlage an eine zentrale Fernbedienung angeschlossen? Wenden Sie sich an die betreffenden Personen, die die Klimaanlage steuern.</li> <li>■ Erscheint "" im Display der Fernbedienung? Wenden Sie sich an die betreffenden Personen, die die Klimaanlage steuern.</li> <li>■ Wurde die automatische Wiederherstellung nach Stromausfällen eingestellt? Drücken Sie auf ON/OFF, um das Gerät auszuschalten.</li> </ul>
Die Klimaanlage schaltet sich aus, ohne dass die Taste ON/OFF (EIN/AUS) gedrückt wurde.	<ul style="list-style-type: none"> <li>■ Ist der Timer zum Ausschalten gesetzt? Drücken Sie auf ON/OFF, um das Gerät wieder einzuschalten.</li> <li>■ Ist die Klimaanlage an eine zentrale Fernbedienung angeschlossen? Wenden Sie sich an die betreffenden Personen, die die Klimaanlage steuern.</li> <li>■ Erscheint "" im Display der Fernbedienung? Wenden Sie sich an die betreffenden Personen, die die Klimaanlage steuern.</li> </ul>
Timerfunktion der Fernbedienung kann nicht eingestellt werden.	<ul style="list-style-type: none"> <li>■ Sind die Timereinstellungen unzulässig? Wenn der Timer eingestellt werden kann, erscheint (WEEKLY), (SIMPLE), oder (AUTO OFF) im Display der Fernbedienung.</li> </ul>
"PLEASE WAIT" (BITTE WARTEN) erscheint im Display der Fernbedienung.	<ul style="list-style-type: none"> <li>■ Die anfänglichen Einstellungen werden vorgenommen. Warten Sie etwa 3 Minuten.</li> </ul>
Ein Fehlercode erscheint im Display der Fernbedienung.	<ul style="list-style-type: none"> <li>■ Die Schutzvorrichtungen haben zum Schutz der Klimaanlage eingegriffen.</li> <li>■ Versuchen Sie nicht, das Gerät selbst zu reparieren. Schalten Sie den Netzschalter sofort aus und wenden Sie sich an Ihren Händler. Teilen Sie dem Händler den Modellnamen und die Informationen mit, die im Display der Fernbedienung angezeigt wurden.</li> </ul>
Ablaufendes Wasser oder das Geräusch eines sich drehenden Motors sind zu hören.	<ul style="list-style-type: none"> <li>■ Wenn der Kühlvorgang stoppt, läuft die Entleerungspumpe und stoppt dann. Warten Sie etwa 3 Minuten.</li> </ul>

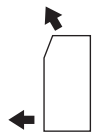
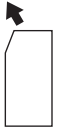
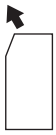
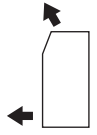


# 11. Fehlerbehebung

Probleme?	Hier ist die Lösung. (Gerät arbeitet normal.)												
Es wird mehr Lärm erzeugt als in den technischen Daten angegeben.	<p>■ Der Schallpegel des Innenraumbetriebs wird durch die Akustik des betreffenden Raums beeinflusst, wie aus der nachstehenden Tabelle ersichtlich ist, und liegt über dem Lärmpegel, der in einem schalltoten Raum gemessen wurde.</p> <table border="1"> <tr> <td></td> <td>Schallschluckende Räume</td> <td>Normale Räume</td> <td>Low sound absorbing rooms</td> </tr> <tr> <td>Aufstellungsbeispiele</td> <td>Sendesaal, Musikraum etc.</td> <td>Empfangszimmer, Hotelloobby etc.</td> <td>Büro, Hotelzimmer</td> </tr> <tr> <td>Geräuschpegel</td> <td>3 to 7 dB</td> <td>6 to 10 dB</td> <td>9 to 13 dB</td> </tr> </table>		Schallschluckende Räume	Normale Räume	Low sound absorbing rooms	Aufstellungsbeispiele	Sendesaal, Musikraum etc.	Empfangszimmer, Hotelloobby etc.	Büro, Hotelzimmer	Geräuschpegel	3 to 7 dB	6 to 10 dB	9 to 13 dB
	Schallschluckende Räume	Normale Räume	Low sound absorbing rooms										
Aufstellungsbeispiele	Sendesaal, Musikraum etc.	Empfangszimmer, Hotelloobby etc.	Büro, Hotelzimmer										
Geräuschpegel	3 to 7 dB	6 to 10 dB	9 to 13 dB										
Es wird nichts im Display der Fernbedienung angezeigt, das Display leuchtet nur schwach oder Signale werden vom Innengerät nur empfangen, wenn die Fernbedienung sehr nahe ist.	<p>■ Die Batterien sind schwach. Tauschen Sie die Batterien aus und drücken Sie die Reset-Taste.</p> <p>■ Wenn auch nach Austausch der Batterien nichts angezeigt wird, stellen Sie sicher, dass die Batterien richtig herum (+, -) eingelegt sind.</p>												
Die Betriebsanzeige in der Nähe des Empfängers für die schnurlose Fernbedienung am Innengerät blinkt.	<p>■ Die Selbstdiagnosefunktion wurde zum Schutz der Klimaanlage aktiviert.</p> <p>■ Versuchen Sie nicht, das Gerät selbst zu reparieren. Schalten Sie den Netzschalter sofort aus und wenden Sie sich an Ihren Händler. Teilen Sie dem Händler den Modellnamen mit.</p>												
Bei ausgeschaltetem Heizmodus oder während des Ventilatormodus gibt das Innengerät Warmluft absatzweise ab.	<p>■ Wenn ein anderes Innengerät im Heizmodus arbeitet, öffnet und schließt sich das Steuerventil gelegentlich, um die Stabilität im Klimaanlage-system aufrechtzuerhalten. Dieser Vorgang stoppt nach einer Weile. * Falls dadurch ein unerwünschter Anstieg der Raumtemperatur in kleinen Räumen usw. entsteht, halten Sie den Betrieb des Innengerätes vorübergehend an.</p>												
Die Luftstrom-Regeleinheit wird automatisch geöffnet und geschlossen. (Bei Geräten der Serie PFFY-P-VKM-E)	<p>■ Die Luftstrom-Regeleinheit wird automatisch von einem Mikrocomputer gemäß der Luftstromtemperatur und Betriebszeit der Klimaanlage gesteuert.</p>												

### ► Luftauslasssteuerung (Serie PFFY-P-VKM-E)

Dieses Gerät besitzt eine automatische Steuerung, bei der die Luft gleichzeitig aus den unteren und oberen Luftauslässen strömt, um den Raum effektiv zu kühlen oder zu heizen.

#### Funktionsweise

Betrieb	KÜHLUNG		LUFTTROCKNUNG	HEIZEN		GEBLÄSE
Luftstrom						
	Luftstrom oben und unten	Luftstrom oben	Luftstrom nur oben	Luftstrom oben und unten	Luftstrom oben	Luftstrom oben und unten
Bedingungen	Raumtemperatur und eingestellte Temperatur sind unterschiedlich.	Die Raumtemperatur ist im Bereich der eingestellten Temperatur oder Thermo-off.	—	(Normalbedingungen (beim Heizen))	Im Entfrosterbetrieb Beginn des Betriebs, Thermo-off	—

- Sicherstellen, dass der Bereich der Luftstrom-Regeleinheit am unteren Luftauslass nicht mit Gegenständen versperrt ist.  
Dieses Gerät kann durch Einstellen des DIP-Schalters auf der Adressplatte so eingestellt werden, dass die Luft nur aus dem oberen Luftauslass strömt (fragen Sie Ihren Händler).

#### Anwendungsbereich

Der Arbeitstemperaturbereich für die Innen- und Außengeräte der Serien Y, R2, Multi-S ist wie folgt.

#### ⚠ Warnung:

Falls die Klimaanlage läuft, ohne jedoch den Raum zu kühlen oder heizen (je nach Modell), konsultieren Sie Ihren Händler, weil möglicherweise ein Kältemittelleck vorliegt. Fragen Sie den Wartungstechniker bei der Ausführung von Reparaturarbeiten unbedingt, ob ein Kältemittelleck vorliegt oder nicht.

Das in die Klimaanlage eingefüllte Kältemittel ist unbedenklich. Kältemittel läuft normalerweise nicht aus. Sollte dennoch Kältemittelgas in Innenräumen ausströmen und mit der Flamme eines Heizlüfters, Heizgeräts oder Ofens usw. in Berührung kommt, entstehen gesundheitsschädliche Substanzen.

## 12. Technische daten

### ■ Serie PCFY-P-VKM-E

Modell		P40	P63	P100	P125
Netzanschluss (Spannung <V>/Frequenz)	<Hz>	~/N 220-230-240/50, 220/60			
Leistung (Kühlen/Heizen)	<kW>	4,5/5,0	7,1/8,0	11,2/12,5	14,0/16,0
Maß (Höhe)	<mm>	230			
Maß (Breite)	<mm>	960	1280	1600	
Maß (Tiefe)	<mm>	680			
Nettogewicht	<kg>	24	32	36	38
Gebläseleistung (Niedrig-Mittel2-Mittel1-Hoch)	<m <sup>3</sup> /min>	10-11-12-13	14-15-16-18	21-24-26-28	21-24-27-31
Geräuschpegel (Niedrig-Mittel2-Mittel1-Hoch)	<dB>	29-32-34-36	31-33-35-37	36-39-41-43	36-39-42-44

Hinweis

\* Betriebstemperatur der Inneneinheit.

Kühlmodus: 15 °C WB - 24 °C WB

Heizmodus: 15 °C DB - 27 °C DB

\*1 Kühl-/Heiz-Leistung gibt den Höchstwert beim Betrieb unter folgenden Bedingungen an.

Kühlen: Innen 27 °C DB/19 °C WB, außen 35 °C DB

Heizen: Innen 20 °C DB, außen 7 °C DB/6 °C WB

### ■ Serie PKFY-P-VBM-E

### ■ Serie PKFY-P-VHM-E

Modell		P15	P20	P25	P32	P40	P50
Netzanschluss (Spannung <V>/Frequenz)	<Hz>	~/N 220-230-240/50, 220/60					
Leistung (Kühlen/Heizen)	<kW>	1,7/1,9	2,2/2,5	2,8/3,2	3,6/4,0	4,5/5,0	5,6/6,3
Maß (Höhe)	<mm>	295			295		
Maß (Breite)	<mm>	815			898		
Maß (Tiefe)	<mm>	225			249		
Nettogewicht	<kg>	10			13		
Gebläseleistung (Niedrig-Mittel2-Mittel1-Hoch)	<m <sup>3</sup> /min>	4,9-5,0-5,2-5,2	4,9-5,2-5,6-5,9		9-10-11	9-10,5-11,5	9-10,5-12
Geräuschpegel (Niedrig-Mittel2-Mittel1-Hoch)	<dB>	29-31-32-33	29-31-34-36		34-37-41	34-38-41	34-39-43

Hinweis

\* Betriebstemperatur der Inneneinheit.

Kühlmodus: 15 °C WB - 24 °C WB

Heizmodus: 15 °C DB - 27 °C DB

\*1 Kühl-/Heiz-Leistung gibt den Höchstwert beim Betrieb unter folgenden Bedingungen an.

Kühlen: Innen 27 °C DB/19 °C WB, außen 35 °C DB

Heizen: Innen 20 °C DB, außen 7 °C DB/6 °C WB

### ■ Serie PMFY-P-VBM-E

Modell		P20	P25	P32	P40
Netzanschluss (Spannung <V>/Frequenz)	<Hz>	~/N 220-230-240/50, 220/60			
Leistung (Kühlen/Heizen)	<kW>	2,2/2,5	2,8/3,2	3,6/4,0	4,5/5,0
Maß (Höhe)	<mm>	230 (30)			
Maß (Breite)	<mm>	854 (1000)			
Maß (Tiefe)	<mm>	395 (470)			
Nettogewicht	<kg>	14 (3,0)			
Gebläseleistung (Niedrig-Mittel2-Mittel1-Hoch)	<m <sup>3</sup> /min>	6,5-7,2-8,0-8,6	7,3-8,0-8,6-9,3		7,7-8,7-9,7-10,7
Geräuschpegel (Niedrig-Mittel2-Mittel1-Hoch)	<dB>	27-30-33-36	32-34-36-37		33-35-37-39

Hinweis

\* Betriebstemperatur der Inneneinheit.

Kühlmodus: 15 °C WB - 24 °C WB

Heizmodus: 15 °C DB - 27 °C DB

\*1 Kühl-/Heiz-Leistung gibt den Höchstwert beim Betrieb unter folgenden Bedingungen an.

Kühlen: Innen 27 °C DB/19 °C WB, außen 35 °C DB

Heizen: Innen 20 °C DB, außen 7 °C DB/6 °C WB

\*2 Diese Zahl in ( ) gibt die Schalttafel an.

### ■ Serie PFFY-P-VKM-E

Modell		P20	P25	P32	P40
Netzanschluss (Spannung <V>/Frequenz)	<Hz>	~/N 220-230-240/50			
Leistung (Kühlen/Heizen)	<kW>	2,2/2,5	2,8/3,2	3,6/4,0	4,5/5,0
Maß (Höhe)	<mm>	600			
Maß (Breite)	<mm>	700			
Maß (Tiefe)	<mm>	200			
Nettogewicht	<kg>	14			
Gebläseleistung (Niedrig-Mittel2-Mittel1-Hoch)	<m <sup>3</sup> /min>	5,9-6,8-7,6-8,7	6,1-7,0-8,0-9,1		8,0-9,0-9,5-10,7
Geräuschpegel (Niedrig-Mittel2-Mittel1-Hoch)	<dB>	27-31-34-37	28-32-35-38		35-38-42-44

Hinweis

\* Betriebstemperatur der Inneneinheit.

Kühlmodus: 15 °C WB - 24 °C WB

Heizmodus: 15 °C DB - 27 °C DB

\*1 Kühl-/Heiz-Leistung gibt den Höchstwert beim Betrieb unter folgenden Bedingungen an.

Kühlen: Innen 27 °C DB/19 °C WB, außen 35 °C DB

Heizen: Innen 20 °C DB, außen 7 °C DB/6 °C WB



1. Consignes de sécurité .....	40	7. Autres fonctions .....	49
2. Nomenclature .....	41	8. Sélection des fonctions.....	50
3. Configuration d'écran .....	44	9. Fonctionnement d'urgence de la télécommande sans fil .....	54
4. Régler le jour de la semaine et l'heure.....	44	10. Entretien et nettoyage .....	54
5. Fonctionnement.....	44	11. Guide de dépannage .....	56
6. Minuterie.....	46	12. Spécifications techniques.....	58

**Ce symbole est utilisé uniquement pour les pays de l'UE.**

**Ce symbole est conforme à la directive 2002/96/CE Article 10 Informations à l'attention des usagers et Annexe IV, et/ou à la directive 2006/66/CE Article 20 Information de l'utilisateur final et Annexe II.**

Remarque



Fig.1

Votre produit Mitsubishi Electric est conçu et fabriqué avec des matériels et des composants de qualité supérieure qui peuvent être recyclés et/ou réutilisés. Ce symbole signifie que les équipements électriques et électroniques, les batteries et les accumulateurs, à la fin de leur durée de service, doivent être éliminés séparément des ordures ménagères. Si un symbole chimique est imprimé sous le symbole (Fig. 1), il signifie que la batterie ou l'accumulateur contient une certaine concentration de métal lourd.

Elle sera indiquée comme suit : Hg : mercure (0,0005%), Cd : cadmium (0,002%), Pb : plomb (0,004%)

Dans l'Union Européenne, il existe des systèmes sélectifs de collecte pour les produits électriques et électroniques, les batteries et les accumulateurs usagés. Nous vous prions donc de confier cet équipement, ces batteries et ces accumulateurs à votre centre local de collecte/recyclage. Aidez-nous à conserver l'environnement dans lequel nous vivons ! Les machines ou appareils électriques et électroniques contiennent souvent des matières qui, si elles sont traitées ou éliminées de manière inappropriée, peuvent s'avérer potentiellement dangereuses pour la santé humaine et pour l'environnement. Cependant, ces matières sont nécessaires au bon fonctionnement de votre appareil ou de votre machine. Pour cette raison, il vous est demandé de ne pas vous débarrasser de votre appareil ou machine usagé avec vos ordures ménagères.

Remarque :

Dans le présent manuel d'utilisation, l'expression "Télécommande filaire" fait référence au modèle PAR-21MAA.

Pour toute information sur l'autre télécommande, reportez-vous au livret d'instructions fourni dans cette boîte.

## 1. Consignes de sécurité

- ▶ Avant d'installer le climatiseur, lire attentivement toutes les "Consignes de sécurité".
- ▶ Les "Consignes de sécurité" reprennent des points très importants concernant la sécurité. Veuillez bien à les suivre.
- ▶ Veuillez consulter ou obtenir la permission votre compagnie d'électricité avant de connecter votre système.

### Symboles utilisés dans le texte

⚠ **Avertissement:**

Précautions à suivre pour éviter tout danger de blessure ou de décès de l'utilisateur.

⚠ **Précaution:**

Décrit les précautions qui doivent être prises pour éviter d'endommager l'appareil.

### Symboles utilisés dans les illustrations

⚡ : Indique un élément qui doit être mis à la terre.

⚠ **Avertissement:**

- Ces appareils ne sont pas accessibles au grand public.
- Cet appareil ne doit pas être installé par l'utilisateur. Demander au revendeur ou à une société agréée de l'installer. Si l'appareil n'est pas correctement installé il peut y avoir un risque de fuite d'eau, d'électrocution ou d'incendie.
- Ne pas marcher sur l'appareil ni y déposer des objets.
- Ne jamais éclabousser l'appareil ni le toucher avec des mains humides. Il pourrait en résulter un risque d'électrocution.
- Ne pas vaporiser de gaz inflammable à proximité de l'appareil sous risque d'incendie.
- Ne pas placer de chauffage au gaz ou tout autre appareil fonctionnant avec une flamme vive là où il serait exposé à l'échappement d'air du climatiseur. Cela risquerait de provoquer une mauvaise combustion.
- Ne pas retirer la face avant ou la protection du ventilateur de l'appareil extérieur pendant son fonctionnement.
- Ne jamais tenter de réparer ou déménager l'appareil vous-même.
- Si vous remarquez des vibrations ou des bruits particulièrement anormaux, arrêter l'appareil, éteindre l'interrupteur et prendre contact avec le revendeur.
- Ne jamais mettre des doigts, des bâtons, etc. dans les entrées et sorties d'air.
- Si vous sentez des odeurs étranges, arrêter l'appareil, le mettre hors tension et contacter le revendeur. Si vous ne procédez pas de cette façon, il pourrait y avoir risque de panne, d'électrocution ou d'incendie.

⚠ **Précaution:**

- Ne pas utiliser d'objet pointu pour enfoncer les boutons car cela risquerait d'endommager la commande à distance.
- Ne jamais obstruer les entrées et sorties des appareils extérieurs et intérieurs.
- Ne jamais nettoyer la télécommande avec du benzène, un chiffon imbibé de diluant, etc.
- Ne pas laisser l'appareil fonctionner pendant une période prolongée dans des conditions humides, par exemple avec une porte ou une fenêtre ouverte. En mode de refroidissement, si l'appareil fonctionne longtemps dans une pièce humide (RH de 80 % ou plus), l'eau condensée à l'intérieur du climatiseur risque de tacher ou d'abîmer les meubles, etc.

- Ne JAMAIS laisser des enfants ou des personnes handicapées utiliser le climatiseur sans surveillance.
- Toujours surveiller que les jeunes enfants ne jouent pas avec le climatiseur.
- Si le gaz de réfrigérant fuit, arrêter le fonctionnement du climatiseur, aérer convenablement la pièce et prendre contact avec le revendeur.
- Cet appareil ne doit pas être utilisé par les personnes (y compris les enfants) ayant des capacités physiques, sensorielles ou mentales réduites ou qui sont dépourvues d'expérience ou de connaissance, à moins qu'elles n'aient reçu une supervision ou des instructions sur l'utilisation de l'appareil de la part d'une personne répondant de leur sécurité.
- Lors de l'installation, du déplacement ou de l'entretien du climatiseur, n'utilisez que le réfrigérant spécifié (R410A) pour remplir les tuyaux de réfrigérant. Ne pas le mélanger avec un autre réfrigérant et faire le vide d'air dans les tuyaux. Si du réfrigérant est mélangé avec de l'air, cela peut provoquer des pointes de pression dans les tuyaux de réfrigérant et entraîner une explosion et d'autres risques. L'utilisation d'un réfrigérant différent de celui spécifié pour le climatiseur peut entraîner des défaillances mécaniques, des dysfonctionnements du système ou une panne de l'appareil. Dans le pire des cas, cela peut entraîner un obstacle à la mise en sécurité du produit.

- Ne pas toucher l'ailette de sortie d'air supérieure ni le registre de sortie d'air inférieur pendant le fonctionnement d'appareil. De la condensation risquerait de se former d'appareil pourrait s'arrêter de fonctionner.

### Rangement de l'appareil

Lorsque vous devez ranger l'appareil, veuillez consulter votre revendeur.



## 2. Nomenclature

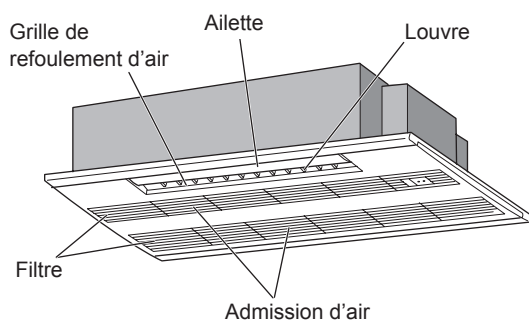
### ■ Unité interne

		PKFY-P-VBM-E	PKFY-P-VHM-E	PCFY-P-VKM-E	PMFY-P-VBM-E	PFFY-P-VKM-E(2)
Vitesse du ventilateur		4 Vitesses	3 Vitesses + Auto*	4 Vitesses + Auto*	4 Vitesses	4 Vitesses
Ailette	Modes	4 modes	5 modes	5 modes	4 modes	4 modes
	Auto avec variation	×	○	○	○	○
Louvre		Manuel	Manuel	Manuel	Manuel	Manuel
Filtre		Normal	Normal	Longue durée	Normal	Normal
Témoin de nettoyage du filtre		100 heures	100 heures	2,500 heures	100 heures	100 heures

\* Cette opération n'est possible qu'à l'aide de la télécommande qui permet de régler la vitesse du ventilateur sur "Auto".

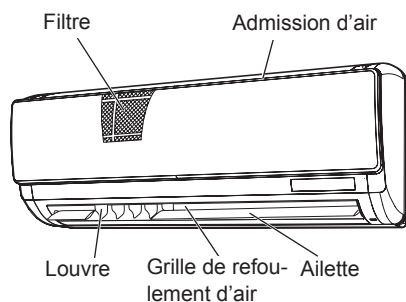
### ■ PMFY-P-VBM-E

Plafonnier à Cassette 1 volets



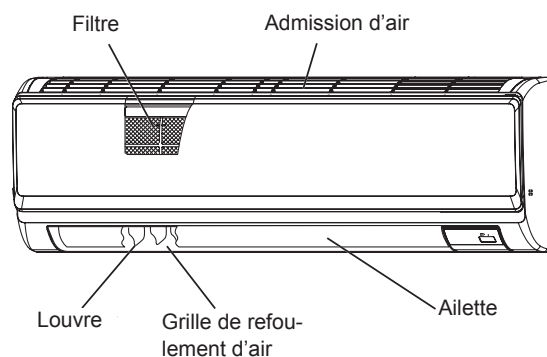
### ■ PKFY-P-VBM-E

Fixé au Mur



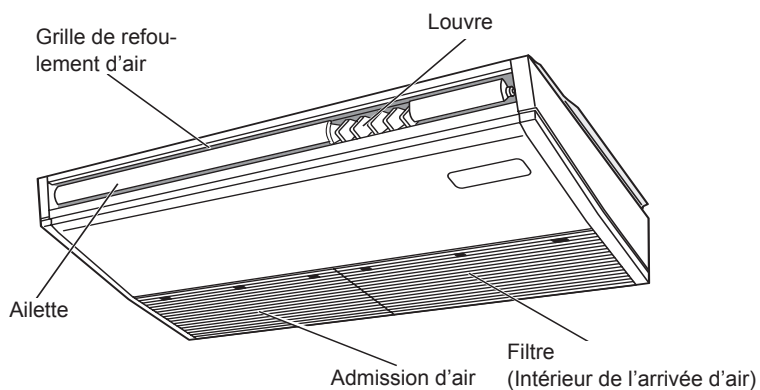
### ■ PKFY-P-VHM-E

Fixé au Mur



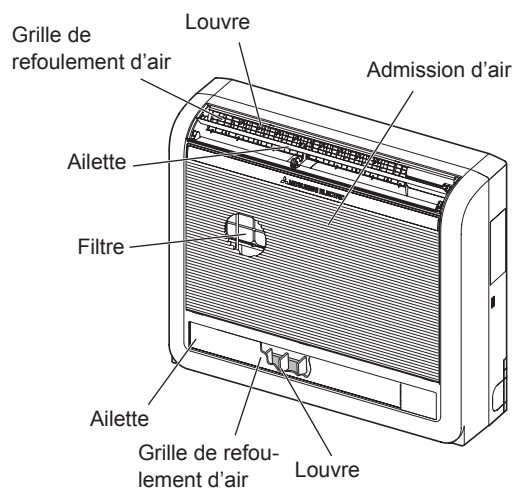
### ■ PCFY-P-VKM-E

Suspendu au Plafond



### ■ PFFY-P-VKM-E(2)

Fixé au Sol



## 2. Nomenclature

### ■ Pour la télécommande à fil

#### Section de l'affichage

Pour des buts explicatifs, tous les éléments de l'affichage sont affichés. Lors de l'utilisation de l'appareil, seuls les éléments utilisés seront affichés.

#### Indique l'opération en cours

Montre le mode de fonctionnement, etc.  
\* les affichages peuvent être en plusieurs langues.

#### Témoin "Commande centrale"

Indique que le fonctionnement de la commande à distance a été désactivée par une commande maîtresse.

#### Témoin "Programmeur éteint"

Indique que le programmeur est éteint.

#### Réglage de température

Indique la température souhaitée.

#### Jour de la semaine

Indique le jour de la semaine.

#### Affichage heure/programmeur

Affiche l'heure, à moins que le programmeur simple ou arrêt auto soit activé. Si le programmeur simple ou arrêt auto est en activé, l'affichage indique le temps restant.

#### Témoin "Capteur"

S'affiche lors de l'utilisation du capteur de la télécommande.

#### Indicateur "Verrouillé"

Indique que les boutons de la commande à distance ont été bloqués.

#### "Témoin "Nettoyer le filtre"

S'allume quand il est temps de nettoyer le filtre.

#### Témoins du programmeur

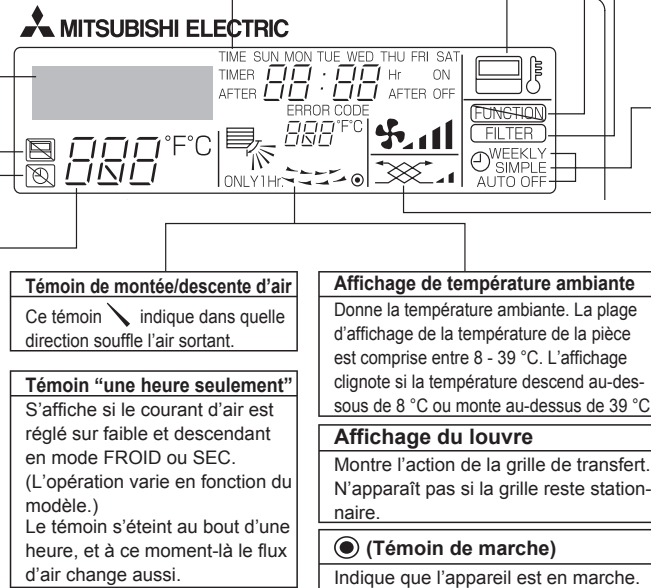
Ce témoin s'allume quand le programmeur correspondant est en fonction.

#### Témoin de vitesse du ventilateur

Montre la vitesse sélectionnée pour le ventilateur.

#### Témoin de ventilation

Apparaît quand l'unité fonctionne en mode Ventilation.



#### Section de commandes

##### Boutons de réglage de température

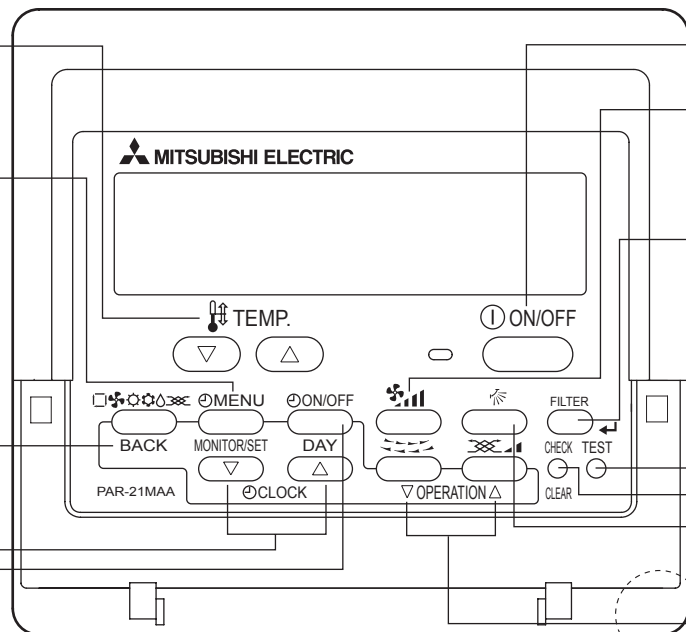
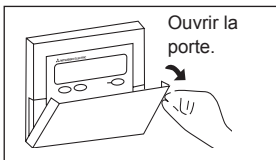
- ▽ Baisser
- △ Monter

##### Bouton de menu du programmeur (Bouton Monitor/Set)

##### Boutons de réglage horaire

- ▽ Reculer
- △ Avancer

##### Bouton marche/arrêt du programmeur (Bouton de réglage de la date)



##### Bouton ON/OFF

##### Bouton de vitesse du ventilateur

##### Bouton du filtre (Bouton ←)

##### Bouton de test de fonctionnement

##### Bouton Check (bouton d'effacement)

##### Bouton de ventilation montante/descendante

##### Bouton de louver (Bouton opération ▽)

##### ▽ pour la précédente opération

##### Bouton de ventilation (bouton opération △)

##### △ pour l'opération suivante

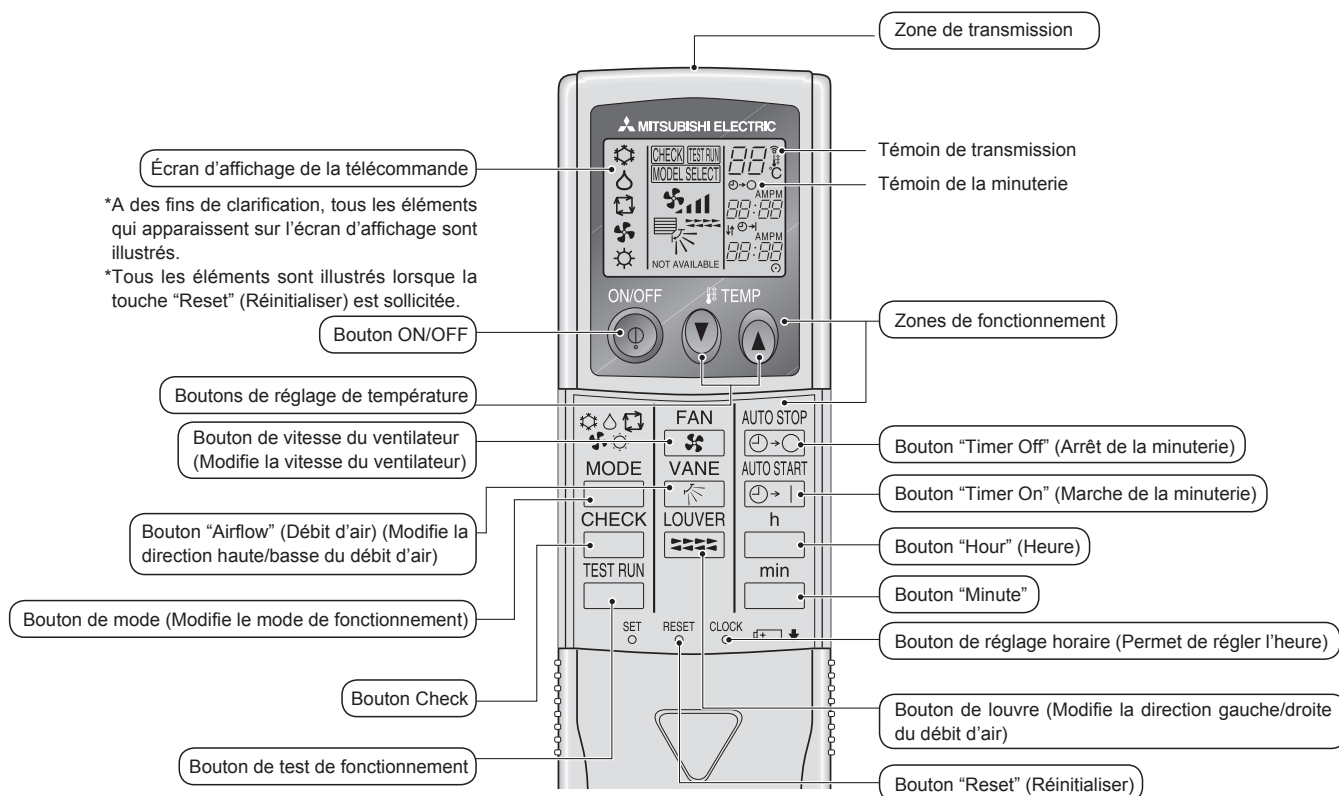
Capteur de température intégré

#### Remarque:

- Message "PLEASE WAIT" (VEUILLEZ PATIENTER)  
Ce message s'affiche pendant 3 minutes environ lorsque l'appareil intérieur est alimenté ou suite à une coupure d'électricité.
- Ecran clignotant affichant le mode de fonctionnement  
Lorsque plusieurs appareils intérieurs sont connectés à un seul appareil extérieur et que le mode de fonctionnement sélectionné pour un appareil intérieur ne correspond pas à celui d'un autre appareil intérieur, l'écran affichant le mode de fonctionnement clignote. Sélectionner le même mode de fonctionnement pour tous les appareils intérieurs.
- Message "NOT AVAILABLE" (NON DISPONIBLE)  
Ce message s'affiche quand vous appuyez sur une touche pour lancer une fonction qui est indisponible pour cet appareil intérieur. Lorsqu'une télécommande unique est utilisée pour faire fonctionner plusieurs appareils intérieurs, ce message s'affiche si l'appareil intérieur principal ne dispose pas de la fonction sélectionnée.
- Affichage de la température de la pièce  
Pour mesurer la température de la pièce, il est possible d'utiliser soit les capteurs d'appareil intérieur, soit le capteur de la télécommande. Par défaut, la température est mesurée par les capteurs d'appareil intérieur. Lorsque c'est le cas, la température de la pièce, mesurée au niveau d'appareil intérieur principal, est affichée sur la télécommande utilisée pour le fonctionnement des différents appareils intérieurs.

## 2. Nomenclature

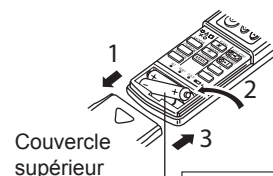
### ■ Pour la télécommande sans fil



- Pour utiliser la télécommande sans fil, pointez-la vers le récepteur de l'appareil intérieur.
- Si la télécommande est utilisée dans les deux minutes qui suivent l'alimentation de l'appareil intérieur, l'appareil peut émettre deux bips successifs indiquant que le contrôle automatique initial est en cours.
- L'appareil intérieur émet des bips pour confirmer que le signal transmis par la télécommande a été reçu. Les signaux peuvent être reçus jusqu'à 7 mètres environ en ligne droite à partir de l'appareil intérieur et dans une zone de 45° vers la gauche ou la droite de l'appareil. Cependant, une lumière vive ou fluorescente peut gêner la réception de signaux de l'appareil intérieur.
- L'appareil doit être contrôlé si le voyant d'opération près du récepteur de l'unité intérieure clignote. Consultez votre revendeur pour le service.
- Manipulez la télécommande avec précaution ! Ne la faites pas tomber et ne lui infligez pas de chocs violents. De plus, évitez de mouiller la télécommande et ne la laissez pas dans un endroit humide.
- Pour éviter de chercher la télécommande, placez le support fourni avec la télécommande sur un mur et veillez à replacer la télécommande dans le support après chaque utilisation.

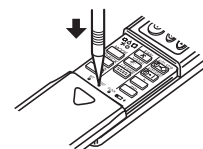
### Insertion/remplacement de la pile

1. Retirez le couvercle supérieur, insérez deux piles AAA, puis reposer le couvercle.



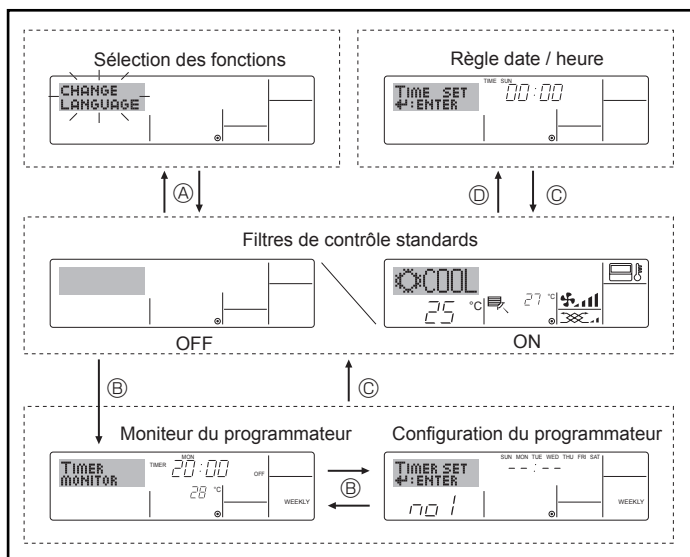
Deux piles AAA  
Insérez d'abord le pôle (-) négatif de chaque pile. Insérez les piles en respectant la polarité indiquée (+, -)!

2. Appuyez sur la touche "Reset" (Réinitialiser).



Appuyez sur la touche "Reset" (Réinitialiser) avec un objet dont l'extrémité est étroite.

### 3. Configuration d'écran



#### <Types d'écrans>

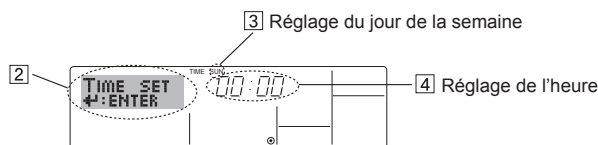
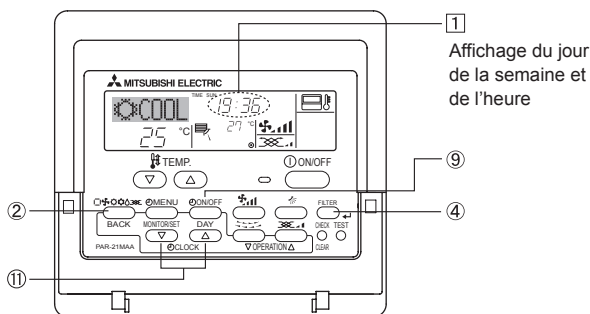
Le paramétrage de la langue d'affichage peut être modifié pour que le français devienne la langue par défaut en sélectionnant la fonction appropriée sur la télécommande. Voyez la section 8, paragraphe [4]-1 pour modifier la langue. La langue de base est l'Anglais.

- **Sélection des fonctions:** Règle les fonctions et les plages disponibles pour la télécommande (fonctions du programmeur, restrictions de fonctionnement, etc.)
- **Régler date/heure:** Règle le jour de la semaine et l'heure.
- **Écrans de contrôle standards:** Visualise et règle le fonctionnement du système de conditionnement.
- **Moniteur du programmeur:** Affiche le programmeur en place (hebdomadaire, simple ou arrêt automatique)
- **Configuration du programmeur:** Règle le fonctionnement des programmeurs (hebdomadaire, simple ou arrêt automatique)

#### <Comment changer d'écran>

- Pour aller à ① : Appuyer sur les boutons Mode et On/Off du programmeur durant 2 secondes.
- Pour aller à ② : Appuyez sur le bouton Menu du programmeur.
- Pour aller à ③ : Appuyez sur le bouton Mode (Entrée).
- Pour aller à ④ : Appuyez sur l'un ou l'autre des boutons de réglage horaire (▽ ou △).

### 4. Régler le jour de la semaine et l'heure

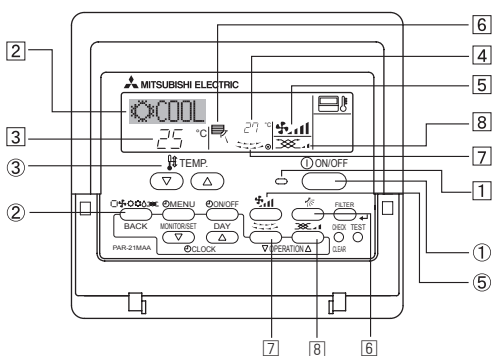


- Appuyez sur le bouton de réglage horaire ① ▽ ou △ pour appeler l'affichage ②.
- Appuyez sur le bouton ⑨ Timer On/Off pour régler le jour.
  - \* À chaque fois que vous appuyez, vous avancez le jour affiché en ③ : Dim → Lun → ... → Ven → Sam.
- Appuyez sur le bouton de réglage correspondant ① afin de régler l'heure.
  - \* Lorsque vous appuyez sur le bouton, le réglage horaire (à ④) augmente tout d'abord en intervalle d'une minute, puis en intervalle de 10 minutes, puis en intervalle d'une heure.
- Après avoir effectué les réglages nécessaires des étapes 2 et 3, appuyez sur le bouton ④ Filter ← pour valider ces informations.

#### Remarque:

Le jour et l'heure n'apparaîtront pas si l'horloge a été déconnectée dans la sélection des fonctions.

### 5. Fonctionnement



#### 5.1. MARCHE/ARRET

##### <Pour commencer l'opération>

- Appuyez sur le bouton ON/OFF ①.

• Le témoin de marche ① et la zone d'affichage s'allument.

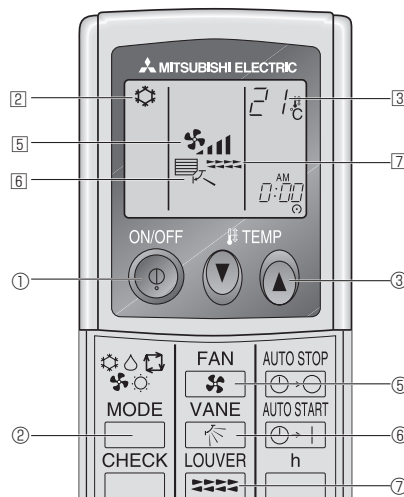
#### Remarque:

- Quand l'unité est relancée, les réglages de base sont les suivants.

Réglages de télécommande			
Mode	Dernier réglage		
Réglage de température	Dernier réglage		
Vitesse de ventilateur	Dernier réglage		
Air montant/descendant	Mode	COOL ou DRY	Sortie horiz. *1
		HEAT	Dernier réglage *2
		FAN	Sortie horiz. *1

\*1 La dernière configuration peut être appliquée selon le type d'appareil intérieur.

\*2 Dans le cas où le balancement correspond au dernier réglage, le flux d'air peut être dirigé vers le bas (réglage 4) en fonction du type de l'appareil intérieur.



##### <Pour arrêter le fonctionnement>

- Appuyez de nouveau sur le bouton ON/OFF ①.

• Le témoin de marche ① et la zone d'affichage s'éteignent.

#### Remarque:

Même si vous appuyez sur le bouton ON/OFF immédiatement après avoir arrêté la fonction en cours, le climatiseur ne se remettra en route que trois minutes plus tard. Ceci est une précaution pour éviter l'endommagement de tout composant interne.

## 5. Fonctionnement

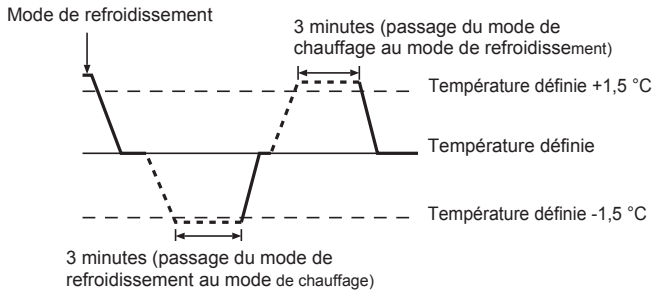
### 5.2. Choix du mode

- Appuyer sur la touche du mode de fonctionnement (☐❄️🌀🔥) ② pour sélectionner le mode de fonctionnement souhaité ②.

- ❄️ Mode de refroidissement
- 💧 Mode de assèchement
- 🌀 Mode de soufflerie
- 🔥 Mode de chauffage
- ☐ Mode automatique (refroidissement/chauffage)

### Fonctionnement automatique

- En fonction de la température définie préalablement, l'opération de refroidissement débutera si la température de la pièce est trop élevée; à l'inverse, l'opération de chauffage débutera si la température de la pièce est trop basse.
- En mode de fonctionnement automatique, le climatiseur passera en mode de refroidissement si la température de la pièce varie et affiche 1,5 °C ou plus au-dessus de la température définie pendant 3 minutes. De la même façon, le climatiseur passera en mode de chauffage si la température de la pièce affiche 1,5 °C ou plus au-dessous de la température définie pendant 3 minutes.



- La température de la pièce étant ajustée automatiquement de façon à rester stable, l'opération de refroidissement se met en marche à quelques degrés au-dessus, et l'opération de chauffage à quelques degrés au-dessous, de la température définie lorsque cette dernière est atteinte (fonction automatique d'économie d'énergie).

### 5.3. Réglage de la température

#### ► Pour réduire la température ambiante:

- Appuyer sur le bouton (🔻) ③ pour sélectionner la température désirée. La température sélectionnée est affichée ③.

#### ► Pour augmenter la température ambiante:

- Appuyer sur le bouton (🔼) ③ pour sélectionner la température désirée. La température sélectionnée est affichée ③.

- Plages de températures à votre disposition:  
 Rafraîchissement et Assèchement: 19 - 30 °C  
 Chauffage: 17 - 28 °C  
 Automatique: 19 - 28 °C
- 8 °C ou 39 °C clignote sur l'affichage pour indiquer que la température de la pièce est plus basse ou plus élevée que la température affichée.

### 5.4. Réglage de la vitesse du ventilateur

- Appuyez sur le bouton de vitesse du ventilateur ⑤ autant de fois que nécessaire alors que le système est en fonction.
  - À chaque fois que vous appuyez sur le bouton, vous changez la force. La vitesse actuelle est indiquée en ⑤.
  - La séquence de changement, et les réglages disponibles sont les suivants.

Vitesse du ventilateur	Affichage
4 vitesses + Auto*	Vitesses 1 Vitesses 2 Vitesses 3 Vitesses 4 Auto 
3 vitesses + Auto*	Vitesses 1 Vitesses 2 Vitesses 3 Auto 
Modèle 4 vitesses	Vitesses 1 Vitesses 2 Vitesses 3 Vitesses 4 

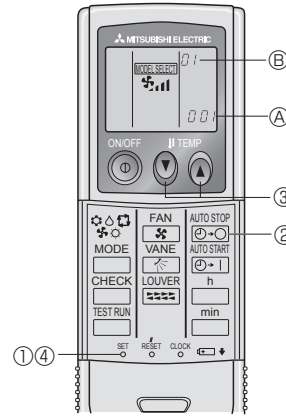
\* Uniquement pour la télécommande MA. Le réglage de vitesse de ventilateur automatique est nécessaire pour la télécommande sans fil.

### Remarque:

- Le nombre de ventilateurs disponible dépend du type d'unité connectée. Notez aussi que certaines unités ne permettent que le réglage "Auto".
- Dans les cas suivants, la vitesse de ventilation actuelle générée par l'unité diffèrera de la vitesse indiquée au niveau de la commande à distance.
  - Quand l'affichage indique "ATTENTE" ou "DEGIVRE".
  - Lorsque la température de l'échangeur thermique est basse en mode de chauffage. (par ex. immédiatement après le lancement de l'opération de chauffage)
  - En mode CHAUFFAGE, quand la température ambiante dans la pièce est supérieure à la température réglée.
  - Quand l'unité est en mode SEC.

- Réglage automatique de la vitesse du ventilateur (pour télécommande sans fil). Il faut régler la télécommande sans fil uniquement lorsque la vitesse du ventilateur n'est pas automatiquement réglée par défaut. Il n'est pas nécessaire de régler la vitesse automatique du ventilateur par défaut sur la télécommande avec fil.

- Appuyer sur le bouton SET à l'aide d'un objet pointu. Intervenir lorsque l'affichage de la télécommande est éteint. [MODEL SELECT] clignote et le No de modèle est allumé ①.
- Appuyer sur la touche AUTO STOP (🛑) ②. [FAN] clignote et le No de configuration est allumé ②. (Configuration No 01: sans vitesse automatique du ventilateur)
- Appuyer sur les touches temp. (🔻) (🔼) pour régler la configuration No 02. (Configuration No 02: avec vitesse automatique du ventilateur) Si l'opération est erronée, appuyer sur la touche ON/OFF (🔴) et recommencer à partir du point ②.
- Appuyer sur le bouton SET à l'aide d'un objet pointu. [MODEL SELECT] , et le No de modèle s'allume pendant 3 secondes, puis s'éteint.



### 5.5. Réglage de la direction du débit d'air

#### <Pour changer la direction de l'air (montant/descendant)>

- Quand l'unité est en fonction, appuyez sur le bouton ⑥ de ventilation montante/descendante autant de fois que nécessaire.
  - À chaque fois que vous appuyez sur le bouton, vous changez la direction. La direction actuelle est affichée sur ⑥.
  - La séquence de changement, et les réglages disponibles sont les suivants:

Débit d'air	Affichage
Modèle 5 modes *1	Bascule Auto 1 2 3 4 5 
Modèle 4 modes (PMFY)	Bascule 1 2 3 4 (Horiz.) 
Modèle 4 modes (PKFY-BM)	1 2 3 4 (Horiz.) 

\* Notez que lors de l'opération de basculement, l'indication directionnelle à l'écran ne change pas en synchronisation avec les ailettes de l'unité.  
 \* Certains modèles n'acceptent pas les réglages directionnels.  
 \*1 Uniquement pour la télécommande MA ; l'affichage de l'autre télécommande est similaire au modèle à 4 étapes.  
 \*2 Réglage de la direction du débit d'air <Auto>  
 COOL/FAN/DRY : Réglage 1 (Horizontal), HEAT : Réglage 5 (Vers le bas 5)

### Remarque:

- Les directions disponibles dépendent du type d'unités connectées. Notez aussi que certaines unités ne permettent que le réglage "Auto".
- Dans les cas suivants, la direction actuelle de l'air diffèrera de la direction indiquée au niveau de la commande à distance.
  - Quand l'affichage indique "ATTENTE" ou "DEGIVRE".
  - Immédiatement après le démarrage du mode CHAUFFAGE (alors que le système attend que le changement de mode se fasse).
  - En mode chauffage, quand la température ambiante dans la pièce est supérieure à la température réglée.



## 5. Fonctionnement

(Série PFFY-P-VKM)

- Sur les appareils de la série PFFY-P-VKM, la direction du débit d'air affichée sur la télécommande est différente de ce qu'elle est en réalité. Veuillez consulter le tableau suivant.

Affichage	Bascule	1	2	3	4
	(Horiz.)				
En réalité	Bascule	1	2	3	4
	(Horiz.)				

- Vous ne pouvez pas régler la direction du débit d'air du registre de sortie d'air inférieure. Son réglage est effectué de façon automatique par ordinateur.**

<[Manuel] Pour modifier la direction gauche/droite du flux d'air>

\* Il est impossible d'utiliser le bouton du déflecteur.

- Arrêter l'appareil, maintenir le déflecteur de l'appareil et ajuster la direction souhaitée.

\* Ne pas régler la direction interne lorsque l'appareil est en mode refroidissement ou déshumidification car il y a un risque de condensation ou d'égouttement.



**⚠ Prudence:**

Lorsque vous suivez le processus ci-dessus, prenez des précautions pour éviter toute chute.

## 6. Minuterie

### 6.1. Pour la télécommande à fil

Vous pouvez utiliser la sélection des fonctions pour sélectionner le type de programmeur, entre les trois disponibles. ① Hebdomadaire,

② Simple, ou ③ Arrêt auto.

#### 6.1.1. Minuterie hebdomadaire

Le programmeur hebdomadaire peut servir à régler les huit opérations pour chaque jour de la semaine.

- Chaque opération permet l'une ou l'autre des fonctions suivantes: Programmeur Marche/Arrêt avec un réglage de température ou programmeur Marche/Arrêt seulement, ou réglage de température seulement.
- À l'heure dite, le conditionneur d'air effectue l'action programmée.

La précision horaire de ce programmeur est de 1 minute.

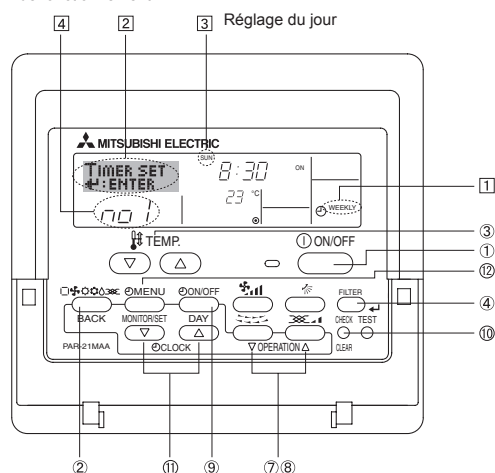
Remarque:

\*1. Les programmeurs hebdomadaire/simple/Arrêt auto ne peuvent être utilisés en même temps.

\*2. Le programmeur hebdomadaire ne fonctionne pas dans les conditions suivantes.

La fonction de temporisateur est désactivée; le système est dans un état anormal; une exécution de test est en cours; la télécommande est soumise à un auto-diagnostic ou à un diagnostic externe; l'utilisateur est en train de définir une fonction; l'utilisateur est en train de régler le temporisateur; l'utilisateur est en train de régler l'heure ou le jour de la semaine; le système est sous commande centralisée. (Précisément, le système n'exécute pas les opérations (allumage, extinction ou réglage de la température) désactivées dans ces situations.)

N° de fonctionnement



## 5.6. Ventilation

► Pour les appareils combinés LOSSNAY

### 5.6.1. Pour la télécommande à fil

● Pour lancer le ventilateur conjointement à l'unité intérieure:

■ Appuyez sur le bouton ON/OFF ①.

- Quand l'indication de ventilation apparaît à l'écran (en ⑧). Le ventilateur sera désormais lancé automatiquement à chaque fois que l'unité intérieure démarrera.

● Pour lancer le ventilateur uniquement quand l'unité intérieure est éteinte:

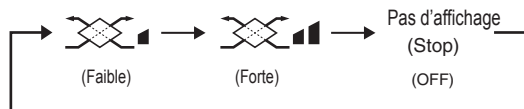
■ Appuyez sur le bouton de ventilation ⑧ quand l'unité intérieure est éteinte.

- Le témoin ON (en ①) et l'indication de ventilation (en ⑧) s'allument.

● Changer la force du ventilateur:

■ Appuyez sur le bouton de ventilation ⑧ autant que nécessaire.

- À chaque fois que vous appuyez sur le bouton, vous changez le réglage comme indiqué ci-dessous.



Remarque:

● Dans certaines configurations, le ventilateur de l'unité intérieure peut s'allumer même quand vous demandez au ventilateur de fonctionner indépendamment.

<Comment régler le programmeur hebdomadaire>

1. Assurez-vous que vous êtes sur l'écran de contrôle standard, et que le témoin du programmeur hebdomadaire ① s'affiche.

2. Appuyez sur le bouton Menu du programmeur ②, de manière à ce que le "Réglage" apparaisse à l'écran (en ②). (Notez qu'à chaque fois que vous appuyez sur le bouton, vous passez de "Réglage" à "Moniteur" (moniteur).)

3. Appuyez sur le bouton On/Off du programmeur ③ pour régler le jour. À chaque fois que vous appuyez, vous changez le réglage en ③, selon la séquence suivante: "Dim Lun Mar Mer Jeu Ven Sam" → "Dim" → ... → "Ven" → "Sam" → "Dim Lun Mar Mer Jeu Ven Sam"...

4. Appuyez sur le bouton (⑦ ou ⑧) d'opération ∇ ou △ autant de fois que nécessaire pour sélectionner le numéro d'opération approprié (1 à 8) ④.

\* Vos choix aux étapes 3 et 4 sélectionneront l'une des cellules de la matrice affichée ci-dessous.

(l'affichage de la commande à distance à gauche montre comment l'affichage devrait apparaître lors du réglage de l'opération 1 pour dimanche aux valeurs indiquées ci-dessous).

Matrice de réglage

N° d'op.	Sunday	Monday	...	Saturday
No. 1	• 8:30 • ON • 23 °C			
No. 2	• 10:00 • OFF	• 10:00 • OFF	• 10:00 • OFF	• 10:00 • OFF
...				
No. 8				

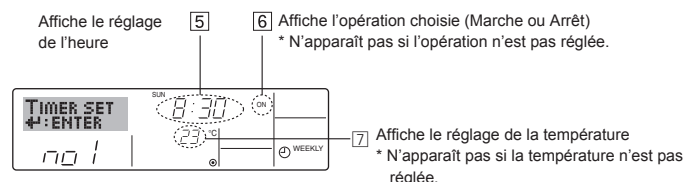
<Réglage de l'opération 1 pour dimanche>  
Démarrer le conditionneur d'air à 8:30, avec la température à 23 °C.

<Réglage de l'opération 2 pour tous les jours>  
Éteindre le conditionneur d'air à 10:00.

Remarque:

En réglant le jour sur "Dim Lun Mar Mer Jeu Ven Sam", vous pouvez régler la même opération à effectuer au même moment tous les jours.

(Exemple: L'opération 2 ci-dessus, qui est la même pour tous les jours de la semaine.)



## 6. Minuterie

### <Régler le programmeur hebdomadaire>

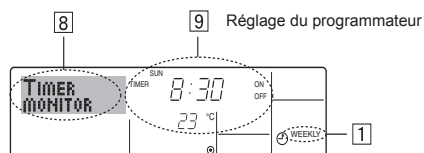
- Appuyez sur le bouton de réglage de l'heure ① approprié autant de fois que nécessaire pour régler l'heure choisie (en ⑤).
  - \* Quand vous maintenez le bouton appuyé, l'heure augmentera d'abord toutes les minutes, puis toutes les 10 minutes, puis toutes les heures.
- Appuyez sur le bouton ON/OFF ① pour sélectionner l'opération choisie (Marche ou Arrêt: marche ou arrêt), en ⑥.
  - \* À chaque fois que vous appuyez vous passez au réglage suivant, selon la séquence suivante: aucun affichage (pas de réglage) → "MARCHE" → "ARRÊT"
- Appuyez sur le bouton de réglage de température ③ approprié pour régler la température choisie (en ⑦).
  - \* À chaque fois que vous appuyez vous changez le réglage, selon la séquence suivante: aucun affichage (pas de réglage) ↔ 24 ↔ 25 ↔ ... ↔ 29 ↔ 30 ↔ 12 ↔ ... ↔ 23 ↔ pas d'affichage. (Plage disponible: La plage disponible pour ce réglage va de 12 °C à 30 °C. La plage réelle au-delà de laquelle la température peut être contrôlée, toutefois, peut changer en fonction du type d'unité connectée.)
- Après avoir effectué les réglages nécessaires des étapes 5, 6 et 7, appuyez sur le bouton ④ Filter ↵ pour valider ces informations. pour effacer les valeurs actuelles de l'opération choisie, appuyez et relâchez rapidement le bouton ⑩ Check (Clear) une fois.
  - \* Le réglage du temps affiché devient "—:—", et les réglages de température et On/Off s'éteignent tous. (Pour effacer tous les réglages du programmeur hebdomadaire d'un coup, appuyez sur le bouton ⑩ Check (Clear) pendant 2 secondes ou plus. L'affichage commence à clignoter, indiquant que tous les réglages ont été effacés.)

#### Remarque:

Vos nouvelles informations seront effacées si vous tapez le bouton ② Mode (Entrée) avant d'appuyer sur le bouton ④ Filter ↵. Si vous avez réglé deux opérations différentes ou plus pour le même temps exactement, seule l'opération ayant le n° le plus élevé sera effectuée.

- Répétez les étapes 3 à 8 autant de fois que nécessaire pour remplir les cellules disponibles que vous souhaitez.
- Appuyez sur le bouton ② Mode (Retour) pour revenir à l'écran de contrôle standard et terminer la procédure de réglage.
- Pour activer le programmeur, appuyez sur le bouton Timer On/Off (programmeur Marche/arrêt) ⑨, de manière à ce que l'indication "Timer Off" (arrêt programmeur) disparaisse de l'écran. **Veillez à ce que l'indication "Timer Off" ne s'affiche plus.**
  - \* Si le programmeur n'est pas réglé, l'indicateur « Timer Off » clignote sur l'écran.

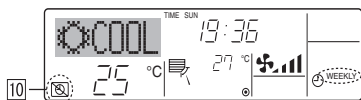
### <Comment visualiser les réglages du programmeur hebdomadaire>



- Assurez-vous que l'indication du programmeur hebdomadaire apparaisse à l'écran (en ⑧).
- Appuyez sur le bouton Menu du programmeur ⑩, de manière à ce que l'écran affiche "Moniteur" (en ⑧).
- Appuyez sur le bouton Marche/Arrêt du programmeur ⑨ tant qu'il faut pour choisir le jour.
- Appuyez sur le bouton (⑦ ou ⑧) d'opération ∇ ou ∆ autant que nécessaire pour changer l'opération du programmeur à l'affichage (en ⑨).
  - \* À chaque fois que vous appuyez, vous passez à l'opération du programmeur suivante, dans l'ordre du réglage horaire.
- Pour fermer le moniteur et retourner à l'écran de contrôle standard, appuyez sur le bouton Mode (Entrée) ②.

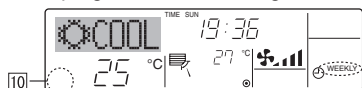
### <Pour éteindre le programmeur hebdomadaire>

Appuyez sur le bouton Marche/Arrêt du programmeur ⑨, de manière à ce que l'indication "arrêt programmeur" apparaisse en ⑩.



### <Pour allumer le programmeur hebdomadaire>

Appuyez sur le bouton Marche/Arrêt du programmeur ⑨, de manière à ce que l'indication "arrêt programmeur" s'éteigne en ⑩.

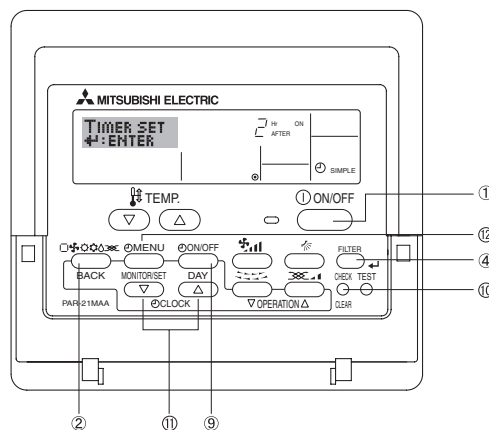


### 6.1.2. Minuterie simple

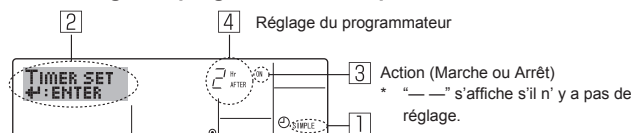
- Vous pouvez régler le programmeur simple de trois manières possible.
  - Heure de démarrage uniquement: Le conditionneur d'air démarre quand le temps indiqué s'est écoulé.
  - Heure d'arrêt uniquement: Le conditionneur d'air s'arrête quand le temps indiqué s'est écoulé.
  - Horaires de marche & d'arrêt: Le conditionneur d'air démarre et s'arrête quand les temps indiqués se sont écoulés.
- Le programmeur simple (démarrage et arrêt) peut être régler une fois seulement sur une période de 72 heures. Le réglage se fait heure par heure.

#### Remarque:

- Les programmeurs hebdomadaire/simple/Arrêt auto ne peuvent être utilisés en même temps.
- Le programmeur simple n'opérera pas quand l'une des conditions suivantes est en fonction. La fonction programmeur est éteinte; anomalie du système; un test est en cours; la commande à distance effectuée un auto-test ou un diagnostic; l'utilisateur est en train de sélectionner une fonction; l'utilisateur est en train de régler le programmeur; le système est sous contrôle central. (Dans ces conditions, l'opération Marche/Arrêt est désactivée.)



### <Comment régler le programmeur simple>



- Assurez-vous que vous êtes sur un écran de contrôle standard, et que le témoin du programmeur simple s'affiche (en ①). Lorsque qu'une fonction autre que le temporisateur simple est affichée, réglez la télécommande sur SIMPLE TIMER en utilisant le paramètre de fonction temporisateur de la sélection des fonctions (voir 8.[4]-3 (3)).
- Appuyez sur le bouton Menu ⑩, de manière à ce que le "Réglage" apparaisse à l'écran (en ②). (Notez qu'à chaque fois que vous appuyez sur le bouton, vous passez de "Réglage" à "Moniteur".)
- Appuyez sur le bouton ON/OFF ① pour afficher le réglage du programmeur simple (Marche ou Arrêt : marche ou arrêt). Appuyez une fois sur le bouton pour afficher le temps restant sur Marche, et une fois encore pour afficher le temps restant sur Arrêt (l'indication Marche/Arrêt apparaît en ③):
  - Programmeur "Marche": Le conditionneur d'air démarre quand le nombre d'heures indiqué s'est écoulé.
  - Programmeur "Arrêt": Le conditionneur d'air s'arrête quand le nombre d'heures indiqué s'est écoulé.
- Avec l'indication "Marche" ou "Arrêt" en ③: Appuyez sur le bouton de réglage d'heure ① approprié autant de fois que nécessaire pour régler l'heure sur Marche (si "Marche" s'affiche) ou sur Arrêt (si "Arrêt" s'affiche en ④).
  - Plage disponible: 1 à 72 heures
- Pour régler à la fois pour Marche et pour Arrêt, répéter les étapes 3 et 4.
  - \* Notez que les temps pour Marche et Arrêt ne peuvent avoir la même valeur.
- Pour effacer le réglage Marche ou Arrêt actuel: Afficher le réglage Marche ou Arrêt (voir étape 3) puis appuyer sur le bouton Check (Clear) ⑩ de manière à ce que le réglage passe à "—" en ④. (Si vous souhaitez utiliser un réglage Marche ou Arrêt uniquement, assurez-vous que le réglage dont vous ne voulez pas est bien sur "—".)

## 6. Minuterie

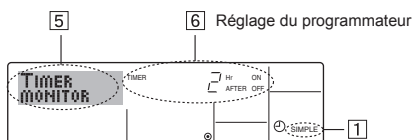
7. Après avoir effectué les étapes 3 à 6, appuyez sur le bouton ④ Filter ↵ pour valider ces informations.

### Remarque:

Vos nouvelles informations seront effacées si vous tapez le bouton ② Mode (Entrée) avant d'appuyer sur le bouton ④ Filter ↵.

- Appuyez sur le bouton ② Mode (Entrée) pour retourner à l'écran de contrôle standard.
- Appuyez sur le bouton Marche/Arrêt du programmeur ⑨ pour lancer le compte à rebours. Pendant que le programme s'exécute, l'affichage indique l'état du programmeur. **Veillez à ce que la valeur du programmeur soit visible et convenable.**

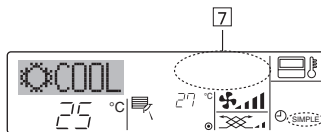
### <Afficher les réglages actuels du programmeur simple>



- Assurez-vous que l'indication du programmeur simple apparaisse à l'écran (sur ①).
- Appuyez sur le bouton Menu ②, de manière à ce que le "Moniteur" apparaisse à l'écran (en ⑤).
  - Si le programmeur simple Marche ou Arrêt est en fonction, son état actuel apparaîtra en ⑥.
  - Si les valeurs Marche et Arrêt ont été réglées toutes les deux, les deux valeurs apparaîtront alternativement.
- Appuyez sur le bouton ② Mode (Entrée) pour fermer le moniteur et retourner à l'écran de contrôle standard.

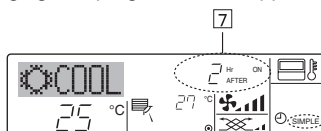
### <Pour éteindre le programmeur simple>

Appuyez sur le bouton Marche/Arrêt du programmeur ⑨, de manière à ce que le réglage du programmeur n'apparaisse plus à l'écran (en ⑦).



### <Pour lancer le programmeur simple>

Appuyez sur le bouton Marche/Arrêt du programmeur ⑨, de manière à ce que le réglage du programmeur apparaisse en ⑦.

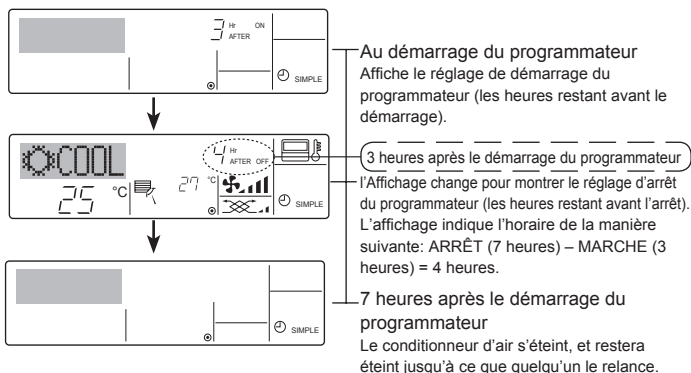


### Exemples

Si les horaires de marche et d'arrêt ont été réglés pour le programmeur simple, l'opération et l'affichage sont comme indiqués ci-dessous.

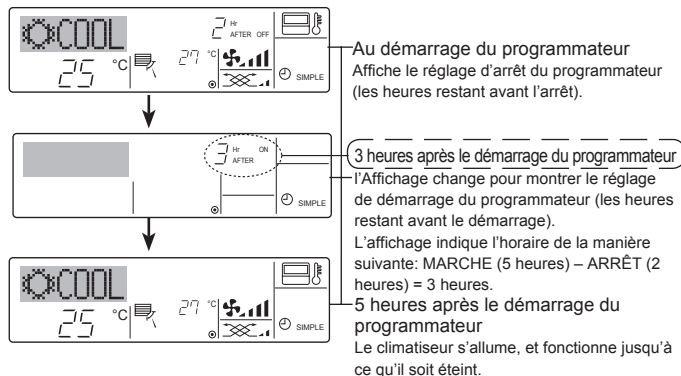
#### Exemple 1:

Lancer le programmeur avec l'heure de démarrage réglée avant l'heure d'arrêt  
 Réglage Marche: 3 heures  
 Réglage Arrêt: 7 heures



#### Exemple 2:

Lancer le programmeur avec l'heure d'arrêt réglée avant l'heure de démarrage  
 Réglage Marche: 5 heures  
 Réglage Arrêt: 2 heures

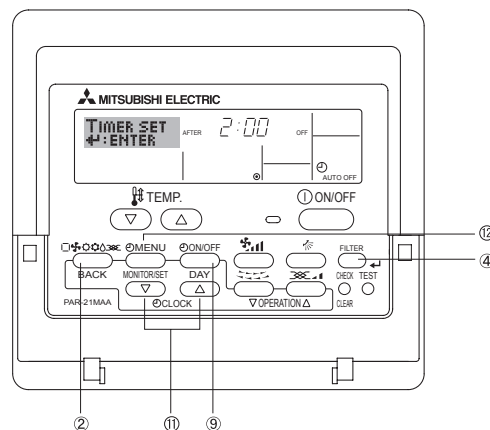


### 6.1.3. Minuterie "Auto Off" (Arrêt auto)

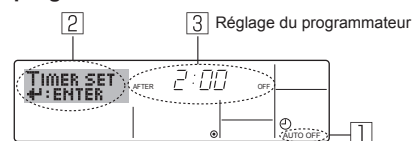
- Ce programmeur commence le compte à rebours au démarrage du conditionneur d'air, et éteint le conditionneur quand le temps indiqué s'est écoulé.
- les réglages possibles vont de 30 minutes à 4 heures, par tranches de 30 minutes.

### Remarque:

1. Les programmeurs hebdomadaire/simple/Arrêt auto ne peuvent être utilisés en même temps.
2. Le programmeur Arrêt Auto n'opérera pas quand l'une des conditions suivantes est en fonction.  
 La fonction programmeur est éteinte; anomalie du système; un test est en cours; la commande à distance effectue un auto-test ou un diagnostic; l'utilisateur est en train de sélectionner une fonction; l'utilisateur est en train de régler le programmeur; le système est sous contrôle central. (Sous ces conditions, l'opération Marche/Arrêt est désactivée.)



### <Comment régler le programmeur Arrêt Auto>



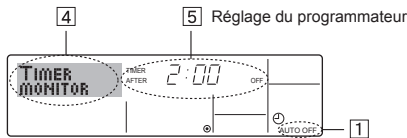
1. Assurez-vous que vous êtes sur un écran de contrôle standard, et que le témoin du programmeur Arrêt Auto s'affiche (en ①). Lorsque qu'une fonction autre que le temporisateur à extinction automatique est affichée, réglez la télécommande sur AUTO OFF TIMER en utilisant le paramètre de fonction temporisateur de la sélection des fonctions (voir 8.[4]-3 (3)).
2. Appuyez sur le bouton Menu du programmeur ② pendant 3 secondes, de manière à ce que le "Réglage" apparaisse à l'écran (en ②). (Notez qu'à chaque fois que vous appuyez sur le bouton, vous passez de "Réglage" à "Moniteur".)
3. Appuyez sur le bouton de réglage d'heure ⑩ approprié autant de fois que nécessaire pour régler l'heure d'arrêt (en ③).
4. Appuyez sur le bouton ④ Filter ↵ pour enregistrer le réglage.

### Remarque:

- Vos informations seront effacées si vous tapez le bouton ② Mode (Entrée) avant d'appuyer sur le bouton ④ Filter ↵.
5. Appuyez sur le bouton ② Mode (Entrée) pour terminer la procédure de réglage et retourner à l'écran de contrôle standard.
  6. Si le conditionneur d'air est déjà en fonction, le programmeur démarre le compte à rebours immédiatement. **Veillez à vérifier que le réglage du programmeur apparaisse correctement à l'écran.**

## 6. Minuterie

### <Vérifier le réglage actuel du programme Arrêt Auto>



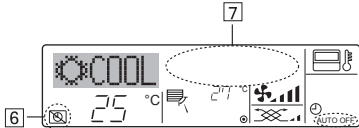
1. Assurez-vous que l'indication "Arrêt Auto" apparaisse à l'écran (sur 1).
2. Appuyez sur le bouton Menu du programmeur ② pendant **3 secondes**, de manière à ce que "Moniteur" apparaisse à l'écran (en 4).

  - Le temps restant avant l'extinction apparaît en 5.

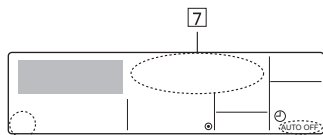
3. Pour fermer le moniteur et retourner à l'écran de contrôle standard, appuyez sur le bouton Mode (Entrée) ②.

### <Pour éteindre le programmeur Arrêt Auto>

- Appuyez sur le bouton Marche/Arrêt du programmeur ③ pendant **3 secondes**, de manière à ce que l'indication "Arrêt programmeur" apparaisse en 6 et que la valeur du programmeur (en 7) disparaisse.

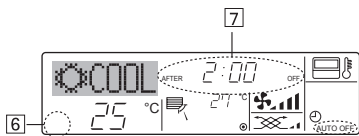


- Sinon, il est possible d'éteindre le conditionneur d'air lui-même. La valeur du programmeur (en 7) disparaîtra de l'écran.

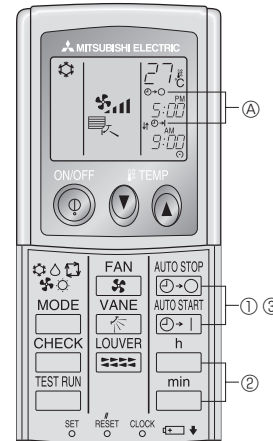


### <Pour démarrer le programmeur Arrêt Auto>

- Appuyez sur le bouton Marche/Arrêt du programmeur ③ pendant **3 secondes**. L'indication "Arrêt programmeur" disparaît (en 6), et le réglage du programmeur apparaît (en 7).
- Sinon, il est possible d'allumer le conditionneur d'air lui-même. La valeur du programmeur apparaît en 7.



## 6.2. Pour la télécommande sans fil



- 1 Pousser le bouton arrêt ou marche (AUTO STOP ou AUTO START) (Réglage du minuteur).

- Vous pouvez régler l'heure lorsque le symbole suivant clignote.  
Minuteur d'arrêt: (A) (A) (A) clignote.  
Minuteur de mise en marche: (A) (A) (A) clignote.

- 2 Utiliser les boutons h et min pour régler l'heure.
- 3 Annuler le minuteur.

Pour annuler le minuteur d'arrêt, pousser le bouton (AUTO STOP).

Pour annuler le minuteur de marche, pousser le bouton (AUTO START).

- il est possible de combiner les minuteurs marche et arrêt (ON et OFF).
- Si l'on pousse le bouton marche/arrêt 1 ON/OFF de la télécommande alors que le minuteur est actif, l'appareil annulera les minuteurs.
- Si l'horloge n'a pas été mise à l'heure, il n'est pas possible d'utiliser le minuteur.

## 7. Autres fonctions

### 7.1. Verrouiller les boutons de la télécommande (limite de fonctionnement d'opération)

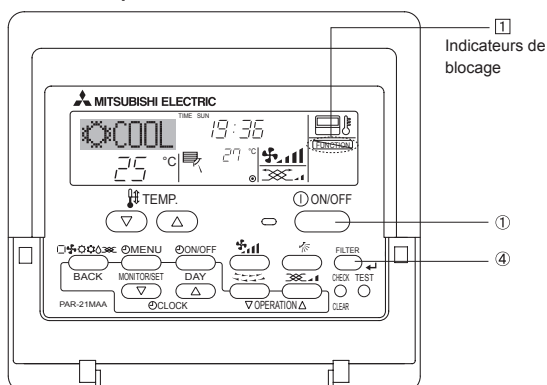
- Vous pouvez verrouiller les boutons de la télécommande si vous le souhaitez. Vous pouvez utiliser la sélection de fonction de la télécommande pour sélectionner le type de verrouillage. (Pour de plus amples informations sur comment sélectionner ce verrouillage, voyez la section 8, paragraphe [4]-2 (1).)

Vous pouvez utiliser spécifiquement l'un ou l'autre des verrouillages ci-dessous.

- 1 Blocage de tous les boutons:  
Blokage tous les boutons de la télécommande.
- 2 Blocage de tout sauf ON/OFF (Marche/Arrêt):  
Blokage tous les boutons autres que ON/OFF.

#### Remarque:

L'indicateur "verrouillé" apparaît à l'écran pour indiquer que les boutons sont actuellement bloqués.



### <Comment bloquer les boutons>

1. Tout en pressant le bouton Filter ④, maintenez appuyé le bouton ON/OFF ① pendant 2 secondes. L'indicateur "verrouillé" apparaît à l'écran (en 1), indiquant que le verrouillage est enclenché.

\* Si le verrouillage a été désactivé pour la sélection des fonctions, l'écran affichera le message "indisponible" quand vous appuyez sur les boutons de la manière indiquée ci-dessus.



- Si vous appuyez sur un bouton bloqué, l'indication "Verrouillé" (en 1) clignotera à l'écran.



### <Comment débloquer les boutons>

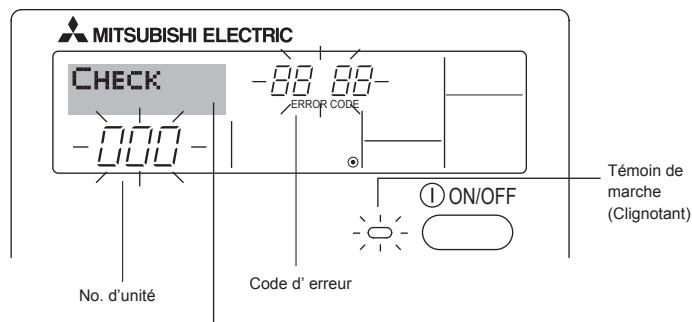
1. Tout en pressant le bouton Filter ④, maintenez appuyé le bouton ON/OFF ① pendant 2 secondes de manière à ce que l'indication "verrouillé" disparaisse de l'écran (en 1).





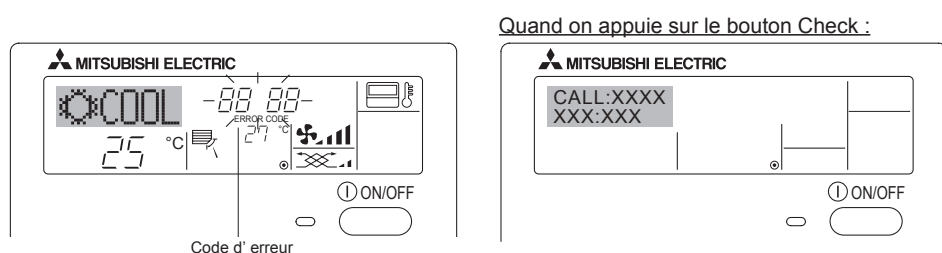
## 7. Autres fonctions

### 7.2. Indication des codes d'erreur



Si vous avez entré un numéro de téléphone à appeler en cas de problème, l'écran affiche ce numéro. (Vous pouvez effectuer ce réglage sous la sélection des fonctions. Pour de plus amples informations, reportez-vous section 8.)

- Si le voyant ON et le code d'erreur clignotent: Cela signifie que le conditionneur d'air est hors service et que le fonctionnement est arrêté (et qu'il ne peut être relancé). Notez le numéro d'unité et le code d'erreur, puis éteignez l'alimentation du conditionneur et appelez votre fournisseur ou votre technicien de maintenance.



- Si seul le code d'erreur clignote (alors que le témoin de marche reste allumé): L'opération continue, mais il se peut que le système ait un problème. Dans ce cas, vous devez noter le code d'erreur, puis appeler votre fournisseur ou votre technicien pour lui demander son avis.

\* Si vous avez entré un numéro de téléphone à appeler en cas de problème, appuyez sur le bouton Check pour l'afficher à l'écran. (Vous pouvez effectuer ce réglage sous la sélection des fonctions. Pour de plus amples informations, reportez-vous section 8.)

## 8. Sélection des fonctions

### Sélection des fonctions de la commande à distance

Le réglage des fonctions de la commande suivantes peut être modifié à l'aide du mode de sélection des fonctions de la commande à distance. Modifiez le réglage au besoin.

Élément 1	Élément 2	Élément 3 (contenu de réglage)
1. Modification de la langue ("CHANGE LANGUAGE")	Réglage des langues d'affichage	• L'affichage en plusieurs langues est possible
2. Limitation des fonctions ("SELECTION FONCTIONS")	(1) Réglage de la limitation des fonctions de fonctionnement (verrouillage de fonctionnement) ("BLOCAGE FONCTIONS")	• Réglage de la plage de limitation de fonctionnement (verrouillage de fonctionnement)
	(2) Utilisation du réglage du mode automatique ("SELECTION DU MODE AUTO")	• Activation ou désactivation du mode de fonctionnement "automatique"
	(3) Réglage de la limitation de la plage de températures ("LIMITATION TEMPERATURE")	• Réglage de la plage de températures ajustable (maximum, minimum)
3. Sélection des modes ("SELECTION DU MODE")	(1) Réglage de la commande à distance principale/secondaire ("TELCOMMANDE MAITRE/ESCLAVE")	• Sélection de la commande à distance principale ou secondaire * Lorsque deux commandes à distance sont connectées à un groupe, l'une des deux doit être réglée en tant que commande secondaire.
	(2) Utilisation du réglage de l'horloge ("AFFICHAGE HORLOGE")	• Activation ou désactivation de la fonction d'horloge
	(3) Réglage de la fonction de minuterie ("PROG HEBDO MAJDAIRE")	• Réglage du type de minuterie
	(4) Réglage du numéro à contacter en cas d'erreur ("CALL.")	• Affichage du numéro à contacter en cas d'erreur • Réglage du numéro de téléphone
4. Modification de l'affichage ("AFFICHAGE SOUS MENU")	(1) Réglage de l'affichage de la température °C/°F ("TEMPERATURE °C/°F")	• Réglage de l'unité de température (°C ou °F) à afficher
	(2) Réglage de l'affichage de la température de l'air d'aspiration ("TEMPERATURE AMBIANTE")	• Activation ou désactivation de l'affichage de la température de l'air (d'aspiration) intérieur
	(3) Réglage de l'affichage du refroidissement/chauffage automatique ("AFFICHAGE AUTO F/C")	• Activation ou désactivation de l'affichage "Cooling" (Refroidissement) ou "Heating" (Chauffage) pendant le fonctionnement en mode automatique



# 8. Sélection des fonctions

## [Organigramme de sélection des fonctions]

Langue par défaut (Anglais)

Affichage normal (affichage lorsque le climatiseur ne fonctionne pas)

Maintenez la touche (E) enfoncée et appuyez sur la touche (D) pendant deux secondes.

Maintenez la touche (E) enfoncée et appuyez sur la touche (D) pendant deux secondes.

(E) Appuyez sur la touche "operation mode" (mode de fonctionnement).

(G) Appuyez sur la touche "TIMER MENU" (MENU DE LA MINUTERIE).

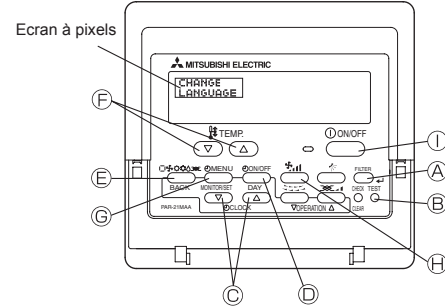
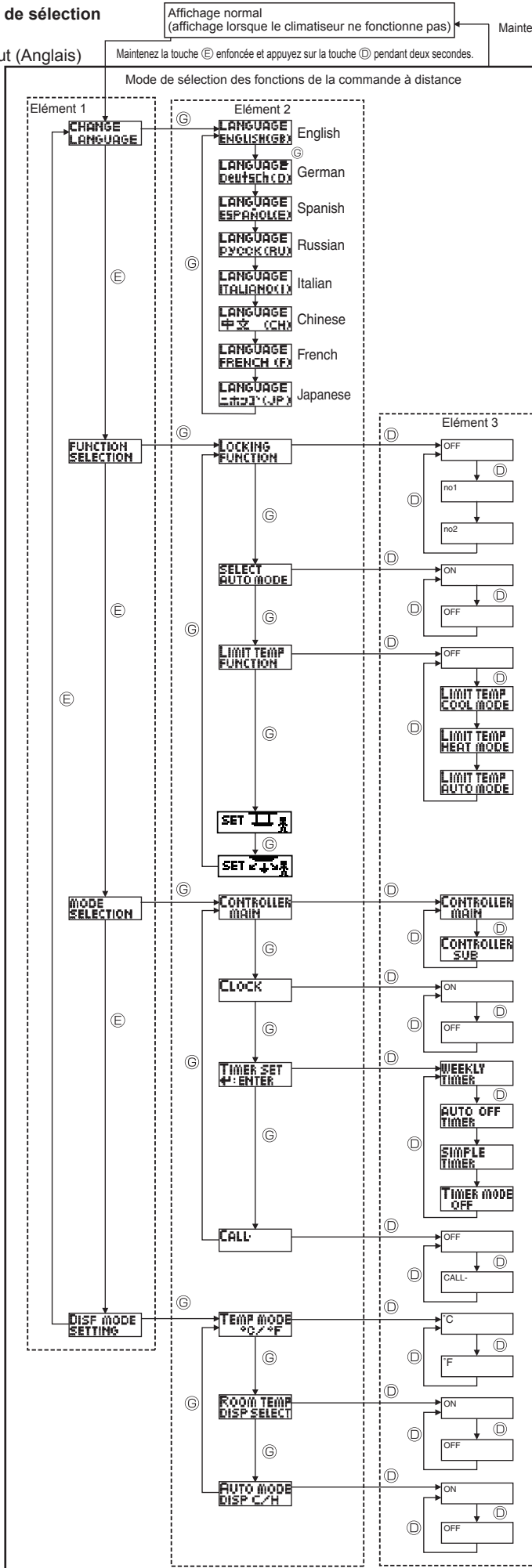
(D) Appuyez sur la touche "TIMER ON/OFF" (MINUTERIE MARCHE/ARRÊT).

Modification de la langue

Sélection des fonctions

Sélection des modes

Modification de l'affichage



- Le paramétrage de verrouillage des opérations est inactif. (Valeur de paramétrage initiale)
- Le paramétrage de verrouillage des opérations est actif sauf pour les touche "On/Off" (Marche/Arrêt).
- Le paramétrage de verrouillage des opérations concerne toutes les touches.
- Le mode automatique s'affiche lorsque le mode de fonctionnement est sélectionné. (Valeur de paramétrage initiale)
- Le mode automatique ne s'affiche pas lorsque le mode de fonctionnement est sélectionné.
- Les limites de la plage de température sont inactives. (Valeur de paramétrage initiale)
- La plage de température peut être modifiée en mode de refroidissement/ séchage.
- La plage de température peut être modifiée en mode de chauffage.
- La plage de température peut être modifiée en mode automatique.
- Mode d'opération du panneau du filtre automatique  
Il n'est pas nécessaire de régler ce mode. Veuillez consulter le MANUEL D'OPÉRATION des parties optionnelles (panneau) pour plus de détails.
- Mode de direction du courant d'air fixe  
Il n'est pas nécessaire de régler ce mode. Veuillez consulter le MANUEL D'OPÉRATION de l'appareil intérieur pour plus de détails.
- La télécommande deviendra alors la commande principale. (Valeur de paramétrage initiale)
- La télécommande deviendra alors la commande auxiliaire.
- La fonction horloge peut être utilisée. (Valeur de paramétrage initiale)
- La fonction horloge ne peut pas être utilisée.
- La minuterie hebdomadaire peut être utilisée. (Valeur de paramétrage initiale)
- La minuterie "Auto off" (Arrêt auto) peut être utilisée.
- La minuterie simple peut être utilisée.
- Le mode minuterie ne peut pas être utilisé.
- Les numéros programmés ne s'affichent pas en cas d'erreur. (Valeur de paramétrage initiale)
- Les numéros programmés s'affichent en cas d'erreur.
- La température de l'appareil est affichée en °C. (Valeur de paramétrage initiale)
- La température de l'appareil est affichée en °F.
- La température de l'air de la pièce est affichée. (Valeur de paramétrage initiale)
- La température de l'air de la pièce n'est pas affichée.
- Le mode "Automatic cooling" (refroidissement auto) ou "Automatic heating" (chauffage auto) s'affiche en mode automatique. (Valeur de paramétrage initiale)  
Seul "Automatic" s'affiche en mode automatique.

## 8. Sélection des fonctions

### [Réglage détaillé]

#### [4]-1 Réglage CHANGE LANGUAGE (Modification de la langue)

La langue d'affichage de l'écran à pixels peut être sélectionnée.

- Appuyez sur la touche [⏏ MENU] ⑥ pour modifier la langue.
  - ① Anglais (GB), ② Allemand (D), ③ Espagnol (E), ④ Russe (RU), ⑤ Italien (I), ⑥ Chinois (CH), ⑦ Français (F), ⑧ Japonais (JP)

Consultez le tableau d'affichage par point.

#### [4]-2 Limitation des fonctions

##### (1) Réglage de la limitation des fonctions de fonctionnement (verrouillage de fonctionnement)

- Pour commuter le réglage, appuyez sur la touche [⏏ ON/OFF] ⑥.
  - ① no1: Le réglage du verrouillage de fonctionnement est appliqué à toutes les touches autres que la touche [⏏ ON/OFF].
  - ② no2: Le réglage du verrouillage de fonctionnement est appliqué à toutes les touches.
  - ③ OFF (valeur de réglage initial): Le réglage du verrouillage de fonctionnement n'est pas appliqué.
- \* Pour appliquer le réglage du verrouillage de fonctionnement à l'écran normal, il est nécessaire d'appuyer sur les touches (Appuyez simultanément sur les touches [FILTER] et [⏏ ON/OFF] en même temps et les maintenir enfoncées pendant deux secondes.) sur l'écran normal après avoir effectué le réglage ci-dessus.

##### (2) Utilisation du réglage du mode automatique

Lorsque la commande à distance est connectée à l'appareil disposant du mode de fonctionnement automatique, les réglages suivants peuvent être effectués.

- Pour commuter le réglage, appuyez sur la touche [⏏ ON/OFF] ⑥.
  - ① ON (valeur de réglage initial): Le mode automatique s'affiche lorsque ce mode de fonctionnement est sélectionné.
  - ② OFF: Le mode automatique ne s'affiche pas lorsque ce mode de fonctionnement est sélectionné.

##### (3) Réglage de la limitation de la plage de températures

Une fois ce réglage effectué, la température peut être modifiée dans la plage définie.

- Pour commuter le réglage, appuyez sur la touche [⏏ ON/OFF] ⑥.
  - ① LIMITE TEMP MODE FROID: Le mode de la plage de températures peut être modifié en mode refroidissement/déshumidification.
  - ② LIMITE TEMP MODE CHAUD: Le mode de la plage de températures peut être modifié en mode chauffage.
  - ③ LIMITE TEMP MODE AUTO: Le mode de la plage de températures peut être modifié en mode automatique.
  - ④ OFF (programmation initiale): La limitation de la plage de températures n'est pas active.
- \* Lorsqu'un réglage autre que OFF est sélectionné, le réglage de la limitation de la plage de températures des modes refroidissement, chauffage et automatique s'effectue en même temps. Toutefois, la plage ne peut pas être limitée lorsque la plage de températures réglée n'a pas été modifiée.
- Pour augmenter ou diminuer la température, appuyez sur la touche [TEMP. (▽) ou (△)] ⑥.
- Pour commuter entre le réglage maximal et minimal, appuyez sur la touche [TEMP. (▽) ou (△)] ⑥. Le réglage sélectionné clignote et la température peut être réglée.
- Plage réglable  
Mode refroidissement/déshumidification:  
Limite inférieure: 19°C à 30°C    Limite supérieure: 30°C à 19°C  
Mode chauffage:  
Limite inférieure: 17°C à 28°C    Limite supérieure: 28°C à 17°C  
Mode automatique:  
Limite inférieure: 19°C à 28°C    Limite supérieure: 28°C à 19°C

#### [4]-3 Réglage de la sélection des modes

##### (1) Réglage de la commande à distance principale/secondaire

- Pour commuter le réglage, appuyez sur la touche [⏏ ON/OFF] ⑥.
  - ① Maître: La commande devient la commande principale.
  - ② Esclave: La commande devient la commande secondaire.

##### (2) Utilisation du réglage de l'horloge

- Pour commuter le réglage, appuyez sur la touche [⏏ ON/OFF] ⑥.
  - ① ON: La fonction d'horloge peut être utilisée.
  - ② OFF: La fonction d'horloge ne peut pas être utilisée.

##### (3) Réglage de la fonction de minuterie

- Pour commuter le réglage, appuyez sur la touche [⏏ ON/OFF] ⑥ (Choisissez l'une des fonctions suivantes).
  - ① PROG HEBDO MADAIRE (Valeur de réglage initial): La minuterie hebdomadaire peut être utilisée.
  - ② PROG HORAIRE ARRET AUTO: L'arrêt différé automatique peut être utilisé.
  - ③ PROG HORAIRE SIMPLIFIE: La minuterie simple peut être utilisée.
  - ④ PROG HORAIRE INACTIF: Le mode de minuterie ne peut pas être utilisé.
- \* Lorsque l'utilisation du réglage de l'horloge est définie sur OFF, la fonction "PROG HEBDO MADAIRE" ne peut pas être utilisée.

##### (4) Réglage du numéro à contacter en cas d'erreur

- Pour commuter le réglage, appuyez sur la touche [⏏ ON/OFF] ⑥.
  - ① CALL OFF: Les numéros à contacter définis ne s'affichent pas en cas d'erreur.
  - ② CALL \*\*\*\* \* : Les numéros à contacter définis s'affichent en cas d'erreur.  
CALL\_ : Le numéro de contact peut être réglé quand l'affichage est indiqué comme ci-dessus.
- Réglage des numéros à contacter  
Pour régler les numéros à contacter, effectuez la procédure suivante. Déplacez le curseur clignotant pour régler les nombres. Appuyez sur la touche [TEMP. (▽) et (△)] ⑥ pour déplacer le curseur vers la droite (gauche). Appuyez sur la touche [CLOCK (▽) et (△)] ⑥ pour régler les numéros.

#### [4]-4 Réglage de l'affichage

##### (1) Réglage de l'affichage de la température °C/°F

- Pour commuter le réglage, appuyez sur la touche [⏏ ON/OFF] ⑥.
  - ① °C : L'unité de température °C est utilisée.
  - ② °F : L'unité de température °F est utilisée.

##### (2) Réglage de l'affichage de la température de la pièce

- Pour commuter le réglage, appuyez sur la touche [⏏ ON/OFF] ⑥.
  - ① ON : La température de l'air d'aspiration s'affiche.
  - ② OFF: La température de l'air d'aspiration ne s'affiche pas.

##### (3) Réglage de l'affichage du refroidissement/chauffage automatique

- Pour commuter le réglage, appuyez sur la touche [⏏ ON/OFF] ⑥.
  - ① ON: L'une des fonctions "Automatic cooling" (Refroidissement automatique) ou "Automatic heating" (Chauffage automatique) s'affiche en mode automatique.
  - ② OFF: Seule la fonction "Automatic" (Automatique) s'affiche en mode automatique.

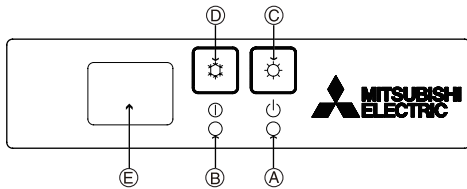
## 8. Sélection des fonctions

[Tableau d'affichage par point]

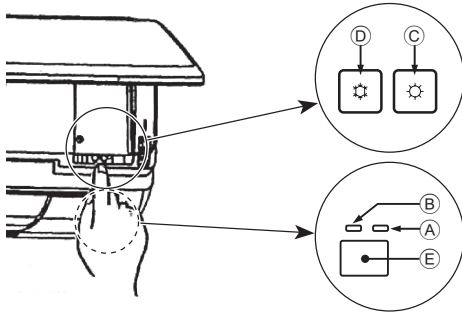
Langue par défaut		English	German	Spanish	Russian	Italian	Chinese	French	Japanese
Attendre le démarrage		PLEASE WAIT	←	←	←	←	←	←	←
Attendre le démarrage	Refroidissement	COOL	Kühlen	FRÍO	Холод	COOL	制冷	FROID	冷房
	Assèchement	DRY	Trocknen	DESHUMIDIFICACIÓN	Сушка	DRY	除湿	DESHU	ドライ
	Chauffage	HEAT	Heizen	CALOR	Тепло	HEAT	制热	CHAUD	暖房
	Automatique	AUTO	AUTO	AUTO-MÁTICO	Авто	AUTO	自动	AUTO	自動
	Automatique	COOL	Kühlen	FRÍO	Холод	COOL	制冷	FROID	冷房
	Automatique (Refroidissement)	HEAT	Heizen	CALOR	Тепло	HEAT	制热	CHAUD	暖房
	Soufflerie	FAN	Lüfter	VENTILACIÓN	Вент	VENTILAZIONE	送风	VENTILATION	送風
	Ventilation	VENTILATION	Gebälsebetrieb	VENTILACIÓN	Вентиляция	ARIA ESTERNA	换气	VENTILATION	換気
	Attente (Pré-chauffage)	STAND BY	STAND BY	CALENTANDO	ОБОГРЕВ: ПАУЗА	STAND BY	准备中	PRE CHAUFFAGE	準備中
Dégivrage	DEFROST	Abtauen	DESCONGE-LACIÓN	ОТТАВАНИЕ	SBRINA MENTO	除霜中	DEGIVRAGE	霜取中	
Température définie	SET TEMP	TEMP einstellen	TEMP. CONSIGNA	ЦЕЛЕВАЯ ТЕМПЕРАТУРА	IMPOSTAZIONE TEMPERATURA	设定温度	REGLAGE TEMPERATURE	設定温度	
Vitesse du ventilateur	FAN SPEED	Lüftergeschwindigkeit	VELOCIDAD VENTILADOR	СКОРОСТЬ ВЕНТИЛЯТОРА	VELOCITÀ VENTILATORE	风速	VITESSE DE VENTILATION	風速	
Touche indisponible	NOT AVAILABLE	nicht verfügbar	NO DISPONIBLE	НЕ ДОСТУПНО	NON DISPONIBILE	无效按钮	NON DISPONIBILE	無効ボタン	
Contrôle (Erreur)	CHECK	Prüfen	COMPROBAR	ПРОВЕРКА	CHECK	検査	CONTROLE	点検	
Marche d'essai	TEST RUN	Testbetrieb	TEST FUNCIONAMIENTO	ТЕСТОВЫЙ ЗАПУСК	TEST RUN	试运行	TEST	試運転	
Auto-contrôle	SELF CHECK	Selbst-diagnose	AUTO REVISIÓN	САМОДИАГНОСТИКА	SELF CHECK	自我诊断	AUTO CONTROL	自己診断	
Sélection des fonctions	FUNCTION SELECTION	Funktion AUSWAHL	SELECCIÓN DE FUNCIÓN	ВЫБОР ФУНКЦИИ	SELEZIONE FUNZIONI	功能选择	SELECTION FONCTIONS	メニュー選択	
Réglage de la ventilation	SETTING OF VENTILATION	Lüfterstufen wählen	CONFIG. VENTILACIÓN	НАСТРОЙКА ВЕНТУСТАНА	IMPOSTAZIONE ARIA ESTERNA	换气设定	SELECTION VENTILATION	換気設定	

Langue par défaut		English	German	Spanish	Russian	Italian	Chinese	French	Japanese
Modification de la langue		CHANGE LANGUAGE	←	←	←	←	←	←	←
Sélection des fonctions		FUNCTION SELECTION	Funktion AUSWAHL	SELECCIÓN DE FUNCIÓNES	ВЫБОР ФУНКЦИИ	SELEZIONE FUNZIONI	功能限制	SELECTION FONCTIONS	メニュー制限
Blocage des fonctions		LOCKING FUNCTION	Sperr - Funktion	FUNCIÓN BLOQUEADA	ФУНКЦИЯ БЛОКИРОВКИ	BLOCCO FUNZIONI	操作限制	BLOCAGE FONCTIONS	操作ロック
Sélection du mode automatique		SELECT AUTO MODE	Auswahl AUTO Betrieb	SELECCIÓN MODO AUTO	ВЫБОР РЕЖИМА АВТО	SELEZIONE MODO AUTO	自动模式	SELECTION DU MODO AUTO	自動モード
Limites de la plage de température		LIMIT TEMP FUNCTION	Limit TEMP Funktion	LÍMIT TEMP CONSIGNA	ОГРАНИЧЕНЕ УЛТ.ТЕМПЕРАТ	LIMITAZIONE TEMPERATURA	温度限制	LIMITATION TEMPERATURE	温度制限
Limites de température mode refroidissement		LIMIT TEMP COOL MODE	Limit Kühl Temp	LÍMIT TEMP MODO FRÍO	ОГРАНИЧЕНО ОХЛАЖ.АЕННЕ	LIMITAZIONE MODO COOL	制冷范围	LIMITE TEMP MODO FROID	制冷冷房
Limites de température mode chauffage		LIMIT TEMP HEAT MODE	Limit Heiz Temp	LÍMIT TEMP MODO CALOR	ОГРАНИЧЕН ОБОГРЕВ	LIMITAZIONE MODO HEAT	制热范围	LIMITE TEMP MODO CHAUD	制热暖房
Limites de température mode auto		LIMIT TEMP AUTO MODE	Limit AUTO temp	LÍMIT TEMP MODO AUTO	ОГРАНИЧЕН РЕЖИМ АВТО	LIMITAZIONE MODO AUTO	自动范围	LIMITE TEMP MODO AUTO	制热自动
Sélection du mode		MODE SELECTION	Betriebsart wählen	SELECCIÓN DE MODO	ВЫБОР РЕЖИМА	SELEZIONE MODO	基本模式	SELECTION DU MODO	基本メニュー
Réglage télécommande PRINCIPALE		CONTROLLER MAIN	Haupt controller	CONTROL PRINCIPAL	ОСНОВНОЙ ПУЛЬТ	CONTROLLO MAIN	遥控主	TELCOMMANDE MAITRE	リモコン主
Réglage télécommande AUXILIAIRE		CONTROLLER SUB	Neben controller	CONTROL SECUNDARIO	ДОПОЛНИТЕЛЬНЫЙ ПУЛЬТ	CONTROLLO SUB	遥控辅	TELCOMMANDE ESCLAVE	リモコン主副
Réglage de l'horloge		CLOCK	Uhr	RELOJ	Часы	OROLOGIO	时钟	AFFICHAGE HORLOGE	時計
Réglage jour/heure		TIME SET +:ENTER	Uhr stellen +:einstellen	CONFIG RELOJ +:CONFIG	Часы:УСТ. +:ВВОД	OROLOGIO +:ENTER	时间 +:ENTER	HORLOGE +:ENTRER	トケイセッテイ +:カクテイ
Réglage minuterie		TIMER SET +:ENTER	Zeitschaltuhr +:einstellen	TEMPORIZA -DOR +:CONFIG	Таймер:УСТ. +:ВВОД	TIMER +:ENTER	定时器 +:ENTER	PROG HORAIRES +:ENTRER	タイマーセッテイ +:カクテイ
Contrôle minuterie		TIMER MONITOR	Uhrzeit Anzeige	VISUALIZAR TEMPORIZAD.	ПРОСМОТР ТАЙМЕРА	VISUALIZ TIMER	定时器状态	AFFICHAGE PROG HORAIRES	タイマーモニター
Minuterie hebdomadaire		WEEKLY TIMER	Wochenzeit schalt Uhr	TEMPORIZA -DOR SEMANAL	НЕДЕЛЬНЫЙ ТАЙМЕР	TIMER SETTIMANALE	每周定时器	PROG HEBDO MADAIRE	タイマー週間
Mode de minuterie "off" (Arrêt)		TIMER MODE OFF	Zeitschaltuhr AUS	TEMPORIZA -DOR APAGADO	ТАЙМЕР ВЫКЛ.	TIMER OFF	定时器无效	PROG HORAIRES INACTIF	タイマー無効
Minuterie "Auto Off" (Arrêt auto)		AUTO OFF TIMER	AUTO Zeit funktion AUS	APAGADO AUTOMÁTICO	АВТООТКЛЮЧ. ПО ТАЙМЕРУ	AUTO OFF TIMER	解除定时	PROG HORAIRES ARRET AUTO	タイマーオートオフ
Minuterie simple		SIMPLE TIMER	Einfache Zeitfunktion	TEMPORIZA -DOR SIMPLE	ПРОСТОЙ ТАЙМЕР	TIMER SEMPLIFICATO	简易定时器	PROG HORAIRES SIMPLIFE	タイマーカンイ
Paramétrage des numéros en situation d'erreur		CALL	←	←	←	←	←	←	←
Modification de l'affichage		DISP MODE SETTING	Anzeige Betriebsart	MOSTRAR MODO	НАСТРОЙКА ИЛИ РЕЖИМА	IMPOSTAZIONE MODO DISPLAY	转换表示	AFFICHAGE SOUS MENU	表示切替
Réglage de l'affichage de la température en °C/°F		TEMP MODE °C/°F	Wechsel °C/°F	TEMPERADOS °C/°F	ЕДИН.ТЕМПЕРА °C/°F	TEMPERATURA °C/°F	温度 °C/°F	TEMPERATURE °C/°F	温度 °C/°F
Réglage de l'affichage de la température de l'air de la pièce		ROOM TEMP DISP SELECT	Raum Temp auswählen	MOSTRAR TEMP	ПОКАЗЫВАТЬ ТЕМП.В КОМН.	TEMPERATURA AMBIENTE	吸入温度	TEMPERATURE AMBIANTE	スィンコオット
Réglage de l'affichage refroidissement/chauffage automatique		AUTO MODE DISP C/H	Auto Betrieb C/H	MOSTRAR F/C EN AUTO	ИЛИ Т/Х В РЕЖИМЕ АВТО	AUTO C/H	自动表示	AFFICHAGE AUTO F/C	自動表示

## 9. Fonctionnement d'urgence de la télécommande sans fil



(Pour PKFY-P-VHM-E)



### Lorsqu'il n'est pas possible d'utiliser la télécommande

Lorsque les piles de la télécommande sont usées ou lorsque la télécommande ne fonctionne pas correctement, vous pouvez activer le mode de fonctionnement d'urgence à l'aide des touches d'urgence situées.

- Ⓐ Témoin DEFROST/STAND BY (dégivrage/veilleuse)
- Ⓑ Témoin de fonctionnement
- Ⓒ Interrupteur de fonctionnement d'urgence (chauffage)
- Ⓓ Interrupteur de fonctionnement d'urgence (refroidissement)
- Ⓔ Capteur

Opération de mise en marche

- Appuyez plus de 2 secondes sur la touche ⚙️ Ⓓ pour utiliser le mode de refroidissement.
- Appuyez plus de 2 secondes sur la touche ⚙️ Ⓒ pour utiliser le mode de chauffage.

Remarque:

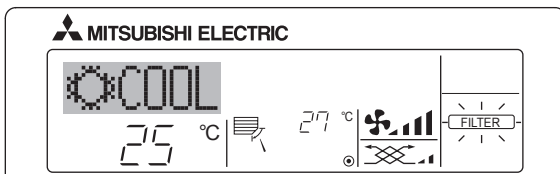
- Les détails concernant le mode d'urgence sont tels qu'indiqués ci-dessous. Les détails concernant le mode de refroidissement d'urgence sont tels qu'indiqués ci-dessous.

Mode de fonctionnement	Refroidissement (COOL)	Chauffage (HEAT)
Température programmée	24°C	24°C
Vitesse de ventilation	Elevée (High)	Elevée (High)
Sens de la soufflerie	Horizontal	Vers le bas 4 (5)

Pour arrêter le fonctionnement

- Pour arrêter l'appareil, appuyer plus de 2 secondes sur la touche ⚙️ Ⓓ ou sur la touche ⚙️ Ⓒ.

## 10. Entretien et nettoyage



- Affiche qu'il faut nettoyer le filtre.

Nettoyez le filtre.

- Pour réinitialiser l'affichage "FILTER" (filtre)

Si vous appuyez deux fois successives sur la touche [FILTER] (filtre) après avoir nettoyé le filtre, l'affichage s'éteint puis est réinitialisé.

Remarque :

- Si deux types d'appareils intérieurs (ou plus) sont contrôlés, la période entre les nettoyages dépend du type de filtre. Si vous devez nettoyer le filtre de l'appareil principal, "FILTER" (filtre) s'affiche. Si l'affichage s'éteint, la période cumulée est réinitialisée.
- "FILTER" (filtre) indique la période entre les nettoyages en heure si le climatiseur est utilisé dans des conditions d'air intérieur normales. Toutefois, le degré d'encrassement du filtre dépend des conditions environnementales ; nettoyez-le donc en conséquence.
- La période cumulée avant le nettoyage du filtre varie selon les modèles.
- Cette indication est indisponible pour la télécommande sans fil.

### ▶ Nettoyage des filtres

- Nettoyer les filtres avec un aspirateur. Si vous ne possédez pas d'aspirateur, battre les filtres contre un objet dur afin de les secouer et de retirer toutes les saletés et la poussière.
- Si les filtres sont particulièrement sales, les laver à l'eau tiède. Veiller à rincer soigneusement toute trace de détergent et laisser sécher les filtres complètement avant de les remonter dans le climatiseur.

⚠️ Précaution:

- Ne jamais laisser sécher les filtres au soleil ni les sécher en utilisant une source de chaleur comme un chauffage électrique : vous risqueriez de les déformer.
- Ne jamais laver les filtres à l'eau chaude (au-dessus de 50°C) car vous risqueriez de les faire gondoler.
- Veiller à ce que les filtres à air soient toujours en place. La mise en marche de l'appareil alors que les filtres sont retirés pourrait en effet être à l'origine d'un mauvais fonctionnement.

⚠️ Précaution:

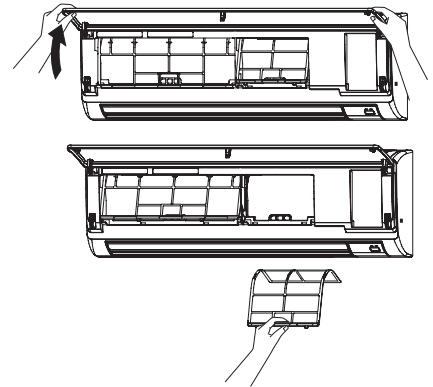
- Avant de commencer le nettoyage, arrêter l'appareil et couper l'alimentation.
- Les appareils intérieurs sont équipés de filtres servant à extraire les poussières de l'air aspiré. Nettoyer les filtres selon les méthodes illustrées ci-après.

### ▶ Retrait du filtre

⚠️ Précaution:

- Lors du retrait du filtre, se protéger les yeux de la poussière. Si vous devez monter sur le rebord d'une fenêtre pour effectuer l'opération, attention de ne pas tomber.
- Une fois le filtre retiré, ne pas toucher les pièces métalliques internes de l'appareil intérieur sous peine de blessure.

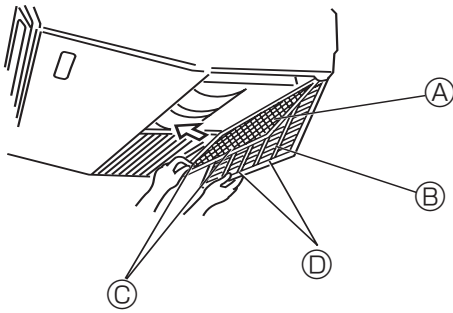
- PKFY-P-VBM-E
- PKFY-P-VHM-E



- ① Tirez sur les deux coins inférieurs de la grille d'aspiration pour ouvrir la grille, puis levez le filtre.

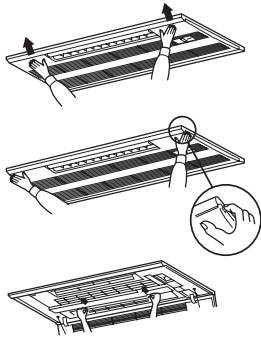
## 10. Entretien et nettoyage

### ■ PCFY-P-VKM-E



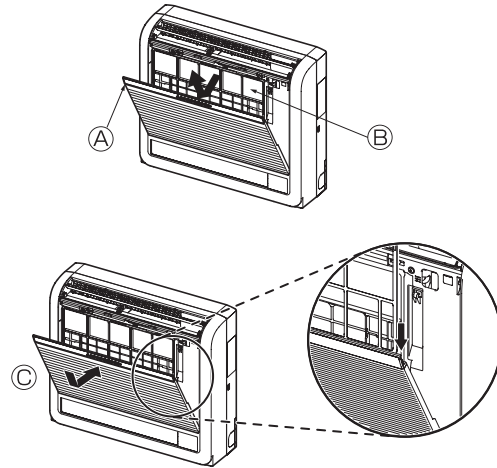
- ① Ouvrir la grille d'aspiration.
  - ② Tenir le bouton se trouvant sur le filtre puis tirer le filtre vers le haut dans la direction d'une flèche. Pour remplacer le filtre après le nettoyage, assurez-vous d'insérer le filtre jusqu'à ce qu'il soit bien en place dans l'arrêtoir.
- Ⓐ Filtre   Ⓑ Grille d'aspiration   Ⓒ Bouton   Ⓓ Arrêtoir

### ■ PMFY-P-VBM-E



- ① Appuyer sur la touche PUSH sur le bord externe de la grille d'entrée permet d'ouvrir cette dernière.
- ② Pour retirer un filtre comportant une grille d'entrée, tirer le filtre vers l'avant.

### ■ PFFY-P-VKM-E(2)



- ① Retirer le filtre à air catéchine.
- Ⓐ Ouvrez la grille avant  
Ⓑ Filtre à air catéchine

#### ⚠ Précaution:

Lors du retrait du filtre à air catéchine, ne pas toucher les parties métalliques de l'unité interne.  
Vous risquez de vous blesser.

- ② Remettre le filtre à air catéchine en place.  
Veillez à insérer les deux extrémités du filtre dans les attaches comme illustré.
- Ⓒ Réinstaller.
- ③ Refermez fermement la grille avant.



## 11. Guide de dépannage

En cas de problème:	Voici la solution. (L'appareil fonctionne normalement.)
Le climatiseur ne chauffe ni ne refroidit correctement.	<ul style="list-style-type: none"> <li>■ Nettoyez le filtre. (Le débit d'air est réduit lorsque le filtre est sale ou colmaté.)</li> <li>■ Contrôlez la température et ajustez la température définie en conséquence.</li> <li>■ Assurez-vous qu'il y a suffisamment d'espace autour de l'appareil extérieur. L'admission ou la sortie d'air de l'appareil intérieur est-elle bloquée ?</li> <li>■ Une porte ou une fenêtre a-t-elle été laissée ouverte ?</li> </ul>
Lorsque l'opération de chauffage débute, de l'air chaud n'est pas expulsé immédiatement de l'appareil intérieur.	<ul style="list-style-type: none"> <li>■ De l'air chaud est expulsé uniquement lorsque l'appareil intérieur est suffisamment chaud.</li> </ul>
En mode de chauffage, le climatiseur s'arrête avant que la température définie pour la pièce soit atteinte.	<ul style="list-style-type: none"> <li>■ Lorsque la température extérieure est basse et l'humidité de l'air importante, du givre peut se former sur l'appareil extérieur. Dans ce cas, l'appareil extérieur procède à une opération de dégivrage. Un fonctionnement normal de l'appareil devrait débiter au bout de 10 minutes environ.</li> </ul>
La direction du débit d'air varie pendant l'opération ou la direction ne peut être définie.	<ul style="list-style-type: none"> <li>■ En mode de refroidissement, les ailettes se placent automatiquement en position horizontale (basse) au bout d'une (1) heure lorsqu'une direction de débit d'air basse (horizontale) est sélectionnée. Ceci évite la formation d'eau sur les ailettes et prévient tout suintement.</li> <li>■ En mode de chauffage, les ailettes se placent automatiquement en position horizontale lorsque la température du débit d'air est basse ou pendant le mode de dégivrage.</li> </ul>
Lorsque la direction du débit d'air est modifiée, les ailettes se déplacent toujours vers le haut et vers le bas au-delà de la position déterminée avant de s'arrêter sur la position souhaitée.	<ul style="list-style-type: none"> <li>■ Lorsque la direction du débit d'air est modifiée, les ailettes se placent sur la position déterminée après être passées par la position de base.</li> </ul>
Un bruit d'eau qui ruisselle ou plus rarement un souffle peut être perçu.	<ul style="list-style-type: none"> <li>■ Ces bruits peuvent être perçus lorsque le réfrigérant circule dans le climatiseur ou lorsque le flux du réfrigérant a été modifié.</li> </ul>
Un craquement ou un grincement peut être perçu.	<ul style="list-style-type: none"> <li>■ Ces bruits peuvent être perçus lorsque les pièces du climatiseur frottent les unes contre les autres en raison de l'expansion et de la contraction qui résultent des variations de température.</li> </ul>
La pièce a une odeur désagréable.	<ul style="list-style-type: none"> <li>■ L'appareil intérieur aspire de l'air qui contient des gaz produits par les murs, les moquettes et les meubles ainsi que des odeurs véhiculées par les vêtements, puis il les expulse à nouveau dans la pièce.</li> </ul>
Une buée ou vapeur blanche sort de l'appareil intérieur.	<ul style="list-style-type: none"> <li>■ Si la température intérieure et l'humidité de l'air sont élevées, cette situation peut se produire en début d'opération.</li> <li>■ En mode de dégivrage, de l'air froid peut être expulsé et avoir l'apparence de la buée.</li> </ul>
De l'eau ou de la vapeur sort de l'appareil extérieur.	<ul style="list-style-type: none"> <li>■ En mode de refroidissement, de l'eau peut se former et suinter des tuyaux et des raccords froids.</li> <li>■ En mode de chauffage, de l'eau peut se former et suinter de l'échangeur thermique.</li> <li>■ En mode de dégivrage, l'eau présent sur l'échangeur thermique s'évapore provoquant ainsi une émission de vapeur d'eau.</li> </ul>
Le témoin de fonctionnement n'apparaît pas sur l'écran de la télécommande.	<ul style="list-style-type: none"> <li>■ Mettez l'appareil sous tension. Le signe "●" apparaîtra sur l'écran de la télécommande.</li> </ul>
Le climatiseur ne fonctionne pas même lorsque l'on appuie sur le bouton ON/OFF. L'affichage du mode de fonctionnement disparaît de la télécommande.	<ul style="list-style-type: none"> <li>■ L'alimentation d'appareil intérieur est-elle éteinte ? Allumez l'appareil.</li> </ul>
Le signe "☒" apparaît sur l'écran de la télécommande.	<ul style="list-style-type: none"> <li>■ Lors du contrôle centralisé, le signe "☒" apparaît sur l'écran de la télécommande et le fonctionnement du climatiseur ne peut être lancé ou arrêté à l'aide de la télécommande.</li> </ul>
Lorsque le climatiseur est redémarré immédiatement après avoir été éteint, son fonctionnement est bloqué même si la touche "ON/OFF" (Marche/Arrêt) est sollicitée.	<ul style="list-style-type: none"> <li>■ Patientez trois minutes environ. (Le fonctionnement s'est arrêté pour protéger le climatiseur.)</li> </ul>
Le climatiseur fonctionne sans que la touche "ON/OFF" (Marche/Arrêt) soit sollicitée.	<ul style="list-style-type: none"> <li>■ La fonction de marche de la minuterie a-t-elle été réglée ? Appuyez sur la touche "ON/OFF" (Marche/Arrêt) pour l'arrêter.</li> <li>■ Le climatiseur est-il relié à une télécommande centralisée ? Veuillez consulter les personnes responsables du contrôle du climatiseur.</li> <li>■ Le signe "☒" apparaît-il sur l'écran de la télécommande ? Veuillez consulter les personnes responsables du contrôle du climatiseur.</li> <li>■ La fonction de recouvrement auto en cas de coupure d'électricité a-t-elle été réglée ? Appuyez sur la touche "ON/OFF" (Marche/Arrêt) pour l'arrêter.</li> </ul>
Le climatiseur s'arrête sans que la touche "ON/OFF" (Marche/Arrêt) soit sollicitée.	<ul style="list-style-type: none"> <li>■ La fonction d'arrêt de la minuterie a-t-elle été réglée ? Appuyez sur la touche "ON/OFF" (Marche/Arrêt) pour relancer l'opération.</li> <li>■ Le climatiseur est-il relié à une télécommande centralisée ? Veuillez consulter les personnes responsables du contrôle du climatiseur.</li> <li>■ Le signe "☒" apparaît-il sur l'écran de la télécommande ? Veuillez consulter les personnes responsables du contrôle du climatiseur.</li> </ul>
Le fonctionnement de la minuterie de la télécommande ne peut pas être réglé.	<ul style="list-style-type: none"> <li>■ Les paramètres de la minuterie sont-ils invalides ? Si la minuterie peut être réglée, les signes (WEEKLY), (SIMPLE) ou (AUTO OFF) doivent apparaître sur l'écran de la télécommande.</li> </ul>
Le message "PLEASE WAIT" (VEUILLEZ PATIENTER) apparaît sur l'écran de la télécommande.	<ul style="list-style-type: none"> <li>■ Les paramètres initiaux sont en cours d'exécution. Patientez 3 minutes environ.</li> </ul>
Un code d'erreur apparaît sur l'écran de la télécommande.	<ul style="list-style-type: none"> <li>■ Les dispositifs de protection ont fonctionné pour protéger le climatiseur.</li> <li>■ N'essayez pas de réparer cet appareil vous-même. Mettez l'appareil hors tension immédiatement et consultez votre revendeur. Vous devrez fournir au revendeur le nom du modèle et les informations qui apparaissent sur l'écran de la télécommande.</li> </ul>
Un bruit de goutte à goutte ou de moteur qui tourne peut être perçu.	<ul style="list-style-type: none"> <li>■ A l'arrêt de l'opération de refroidissement, la pompe de vidange se met en marche puis s'arrête. Patientez 3 minutes environ.</li> </ul>

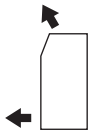





## 11. Guide de dépannage

En cas de problème:	Voici la solution. (L'appareil fonctionne normalement.)												
Le bruit perçu est supérieur aux caractéristiques sonores.	<p>■ Le niveau sonore du fonctionnement en intérieur est affecté par l'acoustique de la pièce en question, comme indiqué dans le tableau ci-dessous. Il sera plus élevé que les caractéristiques sonores nominales, car ces dernières sont mesurées dans une pièce sans écho.</p> <table border="1"> <thead> <tr> <th></th> <th>Pièces présentant une absorption phonique élevée</th> <th>Pièces présentant une absorption phonique normale</th> <th>Pièces présentant une absorption phonique faible</th> </tr> </thead> <tbody> <tr> <td>Exemples de pièce</td> <td>Studio de radio-diffusion, salle de musique, etc.</td> <td>Salle de réception, entrée d'hôtel, etc.</td> <td>Bureau, chambre d'hôtel</td> </tr> <tr> <td>Niveaux sonores</td> <td>3 à 7 dB</td> <td>6 à 10 dB</td> <td>9 à 13 dB</td> </tr> </tbody> </table>		Pièces présentant une absorption phonique élevée	Pièces présentant une absorption phonique normale	Pièces présentant une absorption phonique faible	Exemples de pièce	Studio de radio-diffusion, salle de musique, etc.	Salle de réception, entrée d'hôtel, etc.	Bureau, chambre d'hôtel	Niveaux sonores	3 à 7 dB	6 à 10 dB	9 à 13 dB
	Pièces présentant une absorption phonique élevée	Pièces présentant une absorption phonique normale	Pièces présentant une absorption phonique faible										
Exemples de pièce	Studio de radio-diffusion, salle de musique, etc.	Salle de réception, entrée d'hôtel, etc.	Bureau, chambre d'hôtel										
Niveaux sonores	3 à 7 dB	6 à 10 dB	9 à 13 dB										
Rien n'apparaît sur l'écran de la télécommande sans fil, l'écran est flou, ou l'appareil intérieur ne reçoit aucun signal sauf si la télécommande est éteinte.	<p>■ Les piles sont faibles. Remplacez les piles et appuyez sur la touche "Reset" (Réinitialiser). ■ Si rien n'apparaît suite au remplacement des piles, assurez-vous que les piles sont insérées conformément à la polarité indiquée (+, -).</p>												
Le témoin de fonctionnement situé près du récepteur de la télécommande sans fil sur l'appareil intérieur clignote.	<p>■ La fonction d'auto-diagnostic a fonctionné pour protéger le climatiseur. ■ N'essayez pas de réparer cet appareil vous-même. Mettez l'appareil hors tension immédiatement et consultez votre revendeur. Veuillez fournir au revendeur le nom du modèle.</p>												
L'appareil intérieur produit de l'air chaud de manière intermittente lorsque le mode de chauffage est désactivé ou lorsque le mode de soufflerie est activé.	<p>■ Lorsqu'un autre appareil intérieur fonctionne en mode chauffage, la valve de contrôle s'ouvre et se ferme régulièrement afin de maintenir la stabilité du système de climatisation. Cette opération s'arrête au bout d'un certain temps. * Si cela provoquait une augmentation indésirable de la température, par exemple dans de petites pièces, suspendez temporairement le fonctionnement d'appareil.</p>												
Le clapet d'air s'ouvre et se ferme automatiquement. (Série PFFY-P-VKM-E)	<p>■ Le clapet d'air est automatiquement commandé par un micro-ordinateur selon la température de l'air pulsé et la durée de fonctionnement du climatiseur.</p>												

### ► Commande de sortie d'air (série PFFY-P-VKM-E)

Grâce à cette commande automatique, l'air est pulsé simultanément des sorties d'air supérieure et inférieure de façon à refroidir ou chauffer rapidement la pièce.

#### Description des modes

Mode	REFROIDISSEMENT		DÉSHUMIDIFICATION	CHAUFFAGE		VENTILATEUR
Air pulsé						
Conditions	La température ambiante et la température définie sont différentes.	Température de la pièce proche de la température définie ou capteur thermique inactif.	—	(Conditions normales (chauffage))	Pendant l'opération de dégivrage, début de l'opération, capteur thermique inactif	—

- Vérifiez qu'aucun objet ne se trouve dans la zone située autour du clapet d'air de la sortie d'air inférieure.  
Il est possible de régler l'appareil de façon à ce que l'air soit pulsé de la sortie d'air supérieure uniquement en changeant l'orientation du commutateur sur le panneau de l'adresse (consultez votre revendeur).

#### Plages de fonctionnement

Les plages des températures de fonctionnement pour les appareils intérieurs et extérieurs de série Y, R2, Multi-S sont indiquées ci-dessous.

#### ⚠ Avertissement:

Si le climatiseur fonctionne sans refroidir ou sans chauffer la pièce (en fonction du modèle), contacter le revendeur car il pourrait alors y avoir une fuite de gaz réfrigérant. Toujours demander au représentant du service technique s'il n'y a pas de fuite de réfrigérant après une intervention technique.

Le gaz réfrigérant présent dans le climatiseur est sûr et normalement il ne doit pas y avoir de fuite. Néanmoins, en case de fuite à l'intérieur, si le gaz réfrigérant entre en contact avec la partie chauffante d'un chauffage à ventilation, d'un chauffage d'appoint, d'un poêle, etc., il dégagera des substances toxiques.

## 12. Spécifications techniques

### ■ Série PCFY-P-VKM-E

Model		P40	P63	P100	P125
Alimentation de l'appareil (Tension <V>/Fréquence)	<Hz>	~/N 220-230-240/50, 220/60			
Capacité (Refroidissement/Chauffage)	<kW>	4,5/5,0	7,1/8,0	11,2/12,5	14,0/16,0
Dimensions (Hauteur)	<mm>	230			
Dimensions (Largeur)	<mm>	960	1280	1600	
Dimensions (Profondeur)	<mm>	680			
Poids net	<kg>	24	32	36	38
Débit de la soufflerie (Faible-Moyen2-Moyen1-Elevé)	<m <sup>3</sup> /min>	10-11-12-13	14-15-16-18	21-24-26-28	21-24-27-31
Niveau de bruit (Faible-Moyen2-Moyen1-Elevé)	<dB>	29-32-34-36	31-33-35-37	36-39-41-43	36-39-42-44

#### Remarque

\* Température de fonctionnement de l'unité interne.

Mode refroidissement: 15°CWB - 24°CWB

Mode chauffage: 15°CDB - 27°CDB

\*1 La capacité de refroidissement/chauffage indique la valeur maximale lorsque l'appareil fonctionne dans les conditions suivantes.

Refroidissement: appareil intérieur 27 °C DB/19 °C WB, appareil extérieur 35 °C DB

Chauffage: appareil intérieur 20 °C DB, appareil extérieur 7 °C DB/6 °C WB

### ■ Série PKFY-P-VBM-E

### ■ Série PKFY-P-VHM-E

Model		P15	P20	P25	P32	P40	P50
Alimentation de l'appareil (Tension <V>/Fréquence)	<Hz>	~/N 220-230-240/50, 220/60					
Capacité (Refroidissement/Chauffage)	<kW>	1,7/1,9	2,2/2,5	2,8/3,2	3,6/4,0	4,5/5,0	5,6/6,3
Dimensions (Hauteur)	<mm>	295			295		
Dimensions (Largeur)	<mm>	815			898		
Dimensions (Profondeur)	<mm>	225			249		
Poids net	<kg>	10			13		
Débit de la soufflerie (Faible-Moyen2-Moyen1-Elevé)	<m <sup>3</sup> /min>	4,9-5,0-5,2-5,3	4,9-5,2-5,6-5,9		9-10-11	9-10,5-11,5	9-10,5-12
Niveau de bruit (Faible-Moyen2-Moyen1-Elevé)	<dB>	29-31-32-33	29-31-34-36		34-37-41	34-38-41	34-39-43

#### Remarque

\* Température de fonctionnement de l'unité interne.

Mode refroidissement: 15°CWB - 24°CWB

Mode chauffage: 15°CDB - 27°CDB

\*1 La capacité de refroidissement/chauffage indique la valeur maximale lorsque l'appareil fonctionne dans les conditions suivantes.

Refroidissement: appareil intérieur 27 °C DB/19 °C WB, appareil extérieur 35 °C DB

Chauffage: appareil intérieur 20 °C DB, appareil extérieur 7 °C DB/6 °C WB

### ■ Série PMFY-P-VBM-E

Model		P20	P25	P32	P40
Alimentation de l'appareil (Tension <V>/Fréquence)	<Hz>	~/N 220-230-240/50, 220/60			
Capacité (Refroidissement/Chauffage)	<kW>	2,2/2,5	2,8/3,2	3,6/4,0	4,5/5,0
Dimensions (Hauteur)	<mm>	230 (30)			
Dimensions (Largeur)	<mm>	854 (1000)			
Dimensions (Profondeur)	<mm>	395 (470)			
Poids net	<kg>	14 (3,0)			
Débit de la soufflerie (Faible-Moyen2-Moyen1-Elevé)	<m <sup>3</sup> /min>	6,5-7,2-8,0-8,6	7,3-8,0-8,6-9,3		7,7-8,7-9,7-10,7
Niveau de bruit (Faible-Moyen2-Moyen1-Elevé)	<dB>	27-30-33-36	32-34-36-37		33-35-37-39

#### Remarque

\* Température de fonctionnement de l'unité interne.

Mode refroidissement: 15°CWB - 24°CWB

Mode chauffage: 15°CDB - 27°CDB

\*1 La capacité de refroidissement/chauffage indique la valeur maximale lorsque l'appareil fonctionne dans les conditions suivantes.

Refroidissement: appareil intérieur 27 °C DB/19 °C WB, appareil extérieur 35 °C DB

Chauffage: appareil intérieur 20 °C DB, appareil extérieur 7 °C DB/6 °C WB

\*2 Le chiffre entre ( ) indique la valeur reprise sur le panneau.

### ■ Série PFFY-P-VKM-E

Model		P20	P25	P32	P40
Alimentation de l'appareil (Tension <V>/Fréquence)	<Hz>	~/N 220-230-240/50			
Capacité (Refroidissement/Chauffage)	<kW>	2,2/2,5	2,8/3,2	3,6/4,0	4,5/5,0
Dimensions (Hauteur)	<mm>	600			
Dimensions (Largeur)	<mm>	700			
Dimensions (Profondeur)	<mm>	200			
Poids net	<kg>	14			
Débit de la soufflerie (Faible-Moyen2-Moyen1-Elevé)	<m <sup>3</sup> /min>	5,9-6,8-7,6-8,7	6,1-7,0-8,0-9,1		8,0-9,0-9,5-10,7
Niveau de bruit (Faible-Moyen2-Moyen1-Elevé)	<dB>	27-31-34-37	28-32-35-38		35-38-42-44

#### Remarque

\* Température de fonctionnement de l'unité interne.

Mode refroidissement: 15°CWB - 24°CWB

Mode chauffage: 15°CDB - 27°CDB

\*1 La capacité de refroidissement/chauffage indique la valeur maximale lorsque l'appareil fonctionne dans les conditions suivantes.

Refroidissement: appareil intérieur 27 °C DB/19 °C WB, appareil extérieur 35 °C DB

Chauffage: appareil intérieur 20 °C DB, appareil extérieur 7 °C DB/6 °C WB

# Inhoud

1. Veiligheidsvoorschriften	59	7. Andere functies	68
2. Onderdelen	60	8. Functiekeuze	69
3. Schermconfiguratie	63	9. Noodbedrijf voor draadloze afstandsbediening	73
4. De dag van de week en de tijd instellen	63	10. Onderhoud en schoonmaken	73
5. Gebruik	63	11. Problemen en oplossingen	75
6. Timer	65	12. Specificaties	77

Dit symbol geldt alleen voor EU-landen.

Opmerking



Fig.1

Dit symbol komt overeen met Richtlijn 2002/96/EG artikel 10 Informatie voor gebruikers en Bijlage IV, en/of met Richtlijn 2006/66/EG artikel 20 Informatie voor eindgebruikers en Bijlage II.

Mitsubishi Electric producten zijn ontwikkeld en gefabriceerd uit eerste kwaliteit materialen. De onderdelen kunnen worden gerecycled en/of worden hergebruikt. Het symbool betekent dat de elektrische en elektronische onderdelen, batterijen en accu's op het einde van de gebruiksduur gescheiden van het huishoudelijk afval moeten worden ingezameld. Wanneer er onder het symbool (Fig.1) een chemisch symbool staat gedrukt, betekent dit dat de batterij of accu zware metalen in een bepaalde concentratie bevat.

Dit wordt als volgt aangeduid: Hg: kwik (0,0005%), Cd: cadmium (0,002%), Pb: lood (0,004%)

In de Europese Unie worden elektrische en elektronische producten, batterijen en accu's afzonderlijk ingezameld. Breng deze apparatuur, batterijen en accu's dan naar het gemeentelijke afvalinzamelingspunt. Help ons mee het milieu te beschermen!

Opmerking:

De term "Bedrade afstandsbediening" in deze handleiding refereert aan de PAR-21MAA.

Zie de handleiding die bij deze doos is geleverd voor meer informatie over de andere afstandsbediening.

## 1. Veiligheidsvoorschriften

- ▶ Lees alle "Veiligheidsvoorschriften" voordat u het apparaat installeert.
- ▶ In de "Veiligheidsvoorschriften" staan belangrijke instructies met betrekking tot de veiligheid. Volg ze zorgvuldig op.
- ▶ Stel de aanleverende instantie op de hoogte of vraag om toestemming voordat u het systeem aansluit op het net.

### Symbolen die in de tekst worden gebruikt

⚠ **Waarschuwing:**

Beschrijft maatregelen die genomen moeten worden om het risico van verwonding of dood van de gebruiker te voorkomen.

⚠ **Voorzichtig:**

Beschrijft maatregelen die genomen moeten worden om schade aan het apparaat te voorkomen.

### Symbolen die in de afbeeldingen worden gebruikt

⚡ : Geeft een onderdeel aan dat geaard moet worden.

⚠ **Waarschuwing:**

- Deze apparaten zijn niet toegankelijk voor het grote publiek.
- Het apparaat mag niet door de gebruiker zelf worden geïnstalleerd. Vraag de zaak waar u het apparaat gekocht heeft of een erkend bedrijf om het apparaat te installeren. Als het apparaat niet juist is geïnstalleerd, kan dit lekkage, elektrische schokken of brand tot gevolg hebben.
- Ga niet op het apparaat staan en plaats geen voorwerpen op het apparaat.
- Zorg ervoor dat u geen water op het apparaat knoeit en raak het apparaat nooit met natte handen aan. Dit kan elektrische schokken tot gevolg hebben.
- Spuit niet met brandbaar gas in de buurt van het apparaat. Dit kan brand tot gevolg hebben.
- Zet geen gasverwarmingstoestel of een ander toestel met open vuur op een plaats waar het blootstaat aan de lucht die het apparaat uitblaast. Dit kan onvolledige verbranding tot gevolg hebben.
- Verwijder nooit de beschermkap van de ventilator in het buitenapparaat terwijl het apparaat aan staat.
- Repareer het apparaat nooit zelf en breng het nooit zelf naar een andere locatie.
- Wanneer u uitzonderlijk ongewone geluiden of vibraties bemerkt, zet dan het apparaat stil, schakel de elektriciteit uit en neem contact op met uw dealer.
- Steek nooit uw vingers, stokjes of iets dergelijks in de toever- en afvoeropeningen.

- Als u iets vreemds ruikt, dient u het apparaat niet meer te gebruiken. Draai de schakelaar uit en raadpleeg uw dealer. Doet u dat niet, dan loopt u het risico van stroomonderbreking, elektrische schokken of brand.
- Deze airconditioner is NIET bedoeld voor gebruik door kinderen of onbekwame personen die niet onder toezicht staan.
- Jonge kinderen moeten onder toezicht staan om te voorkomen dat ze met de airconditioning gaan spelen.
- Als het koelgas uit het apparaat geblazen wordt of lekt, zet dan de airconditioner stil, ventileer de kamer goed en neem contact op met uw dealer.
- Dit apparaat is niet bedoeld voor gebruik door personen (inclusief kinderen) met beperkte fysieke, zintuiglijke of mentale vermogens of een gebrek aan ervaring en kennis, tenzij ze onder toezicht staan of instructies van een persoon die verantwoordelijk is voor hun veiligheid volgen betreffende het gebruik van het apparaat.
- Gebruik bij het installeren of verplaatsen van het apparaat uitsluitend de voorgeschreven koelstof (R410A) voor het vullen van de koelstofpijpen. Meng de koelstof niet met andere koelstoffen en let erop dat er geen lucht in de pijpen achterblijft. Als de koelstof wordt gemengd met lucht, kan dit een uitzonderlijk hoge druk in de koelstofpijp tot gevolg hebben. Dit kan resulteren in explosiegevaar en andere gevaren. Als er een andere koelstof wordt gebruikt dan de voorgeschreven koelstof, heeft dit mechanische storingen, storingen van het systeem of uitvallen van het apparaat tot gevolg. In het ergste geval kan de veiligheid van het product ernstig in gevaar komen.

⚠ **Voorzichtig:**

- Gebruik geen scherpe voorwerpen om de toetsen in te drukken - hiermee kunt u het bedieningspaneel beschadigen.
- Zorg ervoor dat de toever- en afvoeropeningen van het binnen- of buitenapparaat nooit verstopt raken of afgedekt worden.
- Reinig de afstandsbediening nooit met wasbenzine, thinner of met een chemische stof geïmpregneerde doekjes, enz.
- Laat het apparaat niet gedurende lange tijd werken bij een hoge luchtvochtigheid, bijv. wanneer u een deur of een raam openlaat. In de koelstand kan, wanneer u het apparaat gedurende lange tijd laat werken in een vertrek met een hoge luchtvochtigheid (80% R.V. of meer), water dat is gecondenseerd in de airconditioner uit het apparaat lopen, op meubilair, enz. terechtkomen en deze beschadigen.

- Raak de schoep van de bovenste luchtuitlaat of de demper van de onderste luchtuitlaat niet aan wanneer het apparaat werkt. Dit kan leiden tot condensvorming en tot gevolg hebben dat het apparaat niet meer werkt.

### Het apparaat verwijderen

Raadpleeg de zaak waar u het apparaat gekocht heeft indien u zich van het apparaat wilt ontdoen.

## 2. Onderdelen

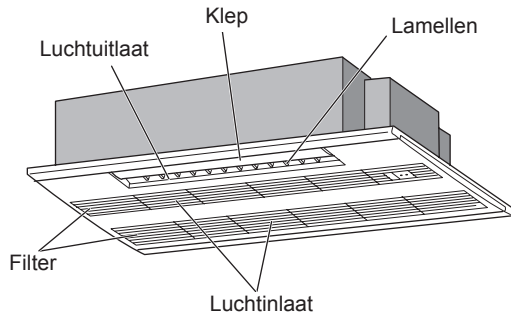
### ■ Binnenunit

	PKFY-P-VBM-E	PKFY-P-VHM-E	PCFY-P-VKM-E	PMFY-P-VBM-E	PFFY-P-VKM-E(2)
Ventilatorsnelheid	4 snelheden	3 snelheden + Auto*	4 snelheden + Auto*	4 snelheden	4 snelheden
Klep	Stappen	4 stappen	5 stappen	4 stappen	4 stappen
	Automatisch zwenken	×	○	○	○
Lamellen	Handmatig	Handmatig	Handmatig	Handmatig	Handmatig
Filter	Normaal	Normaal	Met lange levensduur	Normaal	Normaal
Indicatie filter reinigen	100 uur	100 uur	2,500 uur	100 uur	100 uur

\* Dit werkt alleen via de afstandsbediening waarmee u de ventilatorsnelheidinstelling kunt zetten op "Auto".

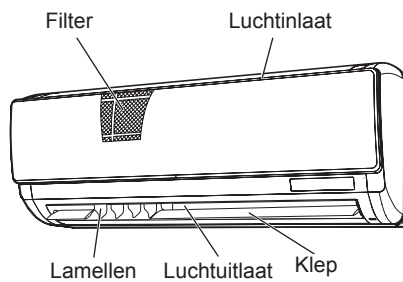
### ■ PMFY-P-VBM-E

1-weg-plafondcassette



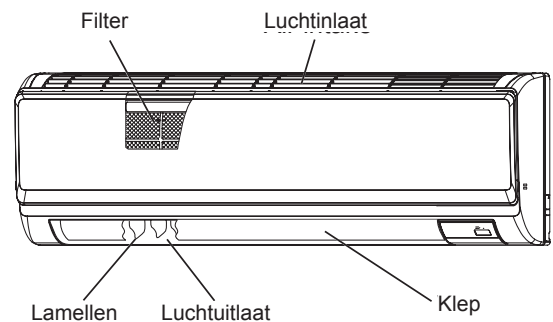
### ■ PKFY-P-VBM-E

Voor wandmontage



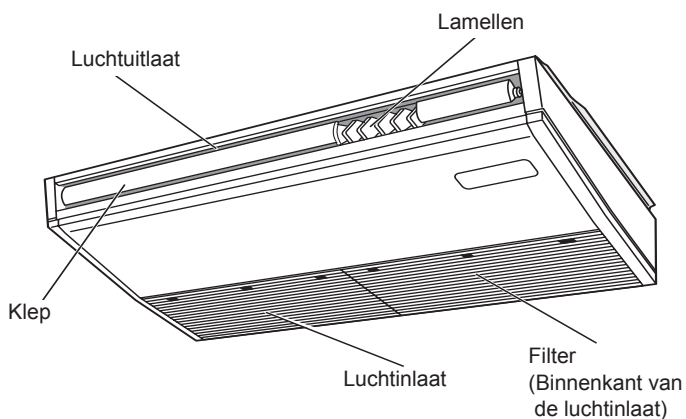
### ■ PKFY-P-VHM-E

Voor wandmontage



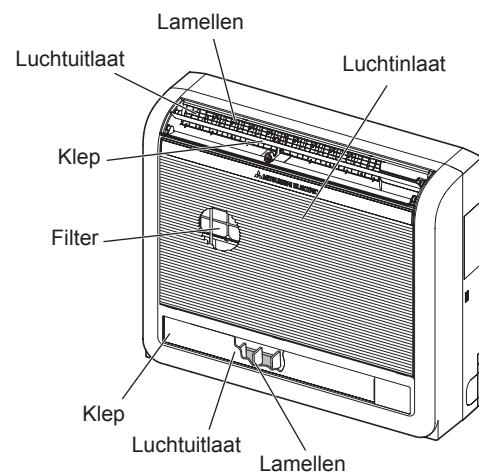
### ■ PCFY-P-VKM-E

Hangend aan plafond



### ■ PFFY-P-VKM-E(2)

Staat op de vloer





## 2. Onderdelen

### ■ Voor de snoer afstandsbediening

#### Weergave

Ten behoeve van deze uitleg, worden alle delen van de display getoond.  
Tijdens de eigenlijke werking zullen alleen relevante items worden weergegeven.

#### Huidige werking

Toont de werkingsmodus, enz.  
\* Weergave in meerdere talen wordt ondersteund.

#### Indicator "Centrally Controlled" (Centrale bediening)

Geeft aan dat de werking van de afstandsbediening is uitgeschakeld door een centrale regeling.

#### Indicatie "Timer Is Off" (Timer staat uit)

Geeft aan dat de timer is uitgeschakeld.

#### Temperatuurstelling

Toont de doeltemperatuur.

#### Bediening

Knoppen voor instellen temperatuur

- ▽ Lager
- △ Hoger

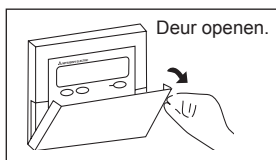
Knop Timermenu (Knop Monitor/Set)

Knop Mode (Knop Return)

Knoppen voor instellen tijd

- ▽ Achteruit
- △ Vooruit

Knop Timer On/Off (Knop Set Day)



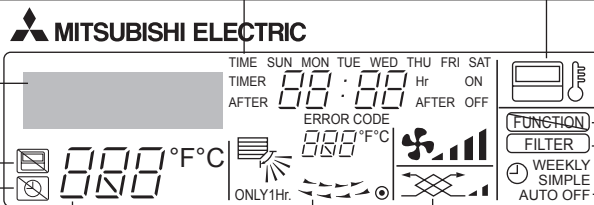
#### Dag van de week

Toont de huidige dag van de week.

#### Weergave Tijd/Timer

Toont de huidige tijd, tenzij de simple timer (enkelvoudige timer) of de Auto Off timer (automatische uitschakeling) is ingesteld.

Als de enkelvoudige timer of automatische uitschakeling is ingesteld, wordt de resterende tijd weergegeven.



#### Indicator Luchtrichting naar boven/beneden

De indicator geeft de richting van de luchtuitstroom aan.

#### Indicator "One Hour Only" (Slechts een uur)

Weergegeven als de luchtstroom is ingesteld op Gering en omlaag in de stand COOL (Koel) of de stand DRY (Droog), (de werking verschilt al naargelang het model).  
De indicator schakelt na een uur uit, waarna de luchtstroomrichting ook verandert.

#### Weergave omgevingstemperatuur

Toont de omgevingstemperatuur. De kamertemperatuur wordt getoond tussen 8 - 39 °C. Het display gaat knipperen bij temperaturen lager dan 8 °C of hoger dan 39 °C.

#### Weergave lamellen

Toont de stand van het uitblaasrooster. Wordt niet weergegeven als het uitblaasrooster niet beweegt.

#### (Indicator On)

Geeft aan dat de stroom is ingeschakeld.

#### Indicatie "Sensor"

Wordt weergegeven als de sensor op de afstandsbediening wordt gebruikt.

#### Indicator "Locked" (Vergrendeld)

Geeft aan dat de knoppen of de afstandsbediening zijn vergrendeld.

#### Indicator "Filter"

Gaat branden als het filter moet worden gereinigd.

#### Timerindicatoren

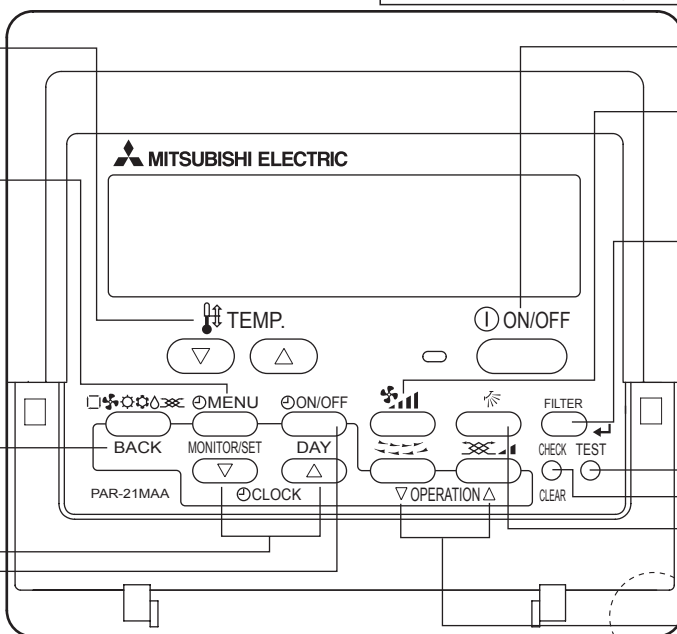
De indicator gaat branden als de bijbehorende timer is ingesteld.

#### Indicator Ventilatorsnelheid

Toont de gekozen ventilatorsnelheid.

#### Indicator Ventilatie

Verschijnt als de unit in de Ventilatiemodus draait.



Ingebouwde temperatuursensor

Knop ON/OFF

Knop Ventilatorsnelheid

Knop Filter (knop ←)

Knop Test Run

Knop Check (Knop Clear)

Knop Luchtstroom naar boven/beneden

Knop Uitblaasrooster (knop Werking ▽)

▽ Vorige werkingsnummer.

Knop Ventilatie (knop Operation △)

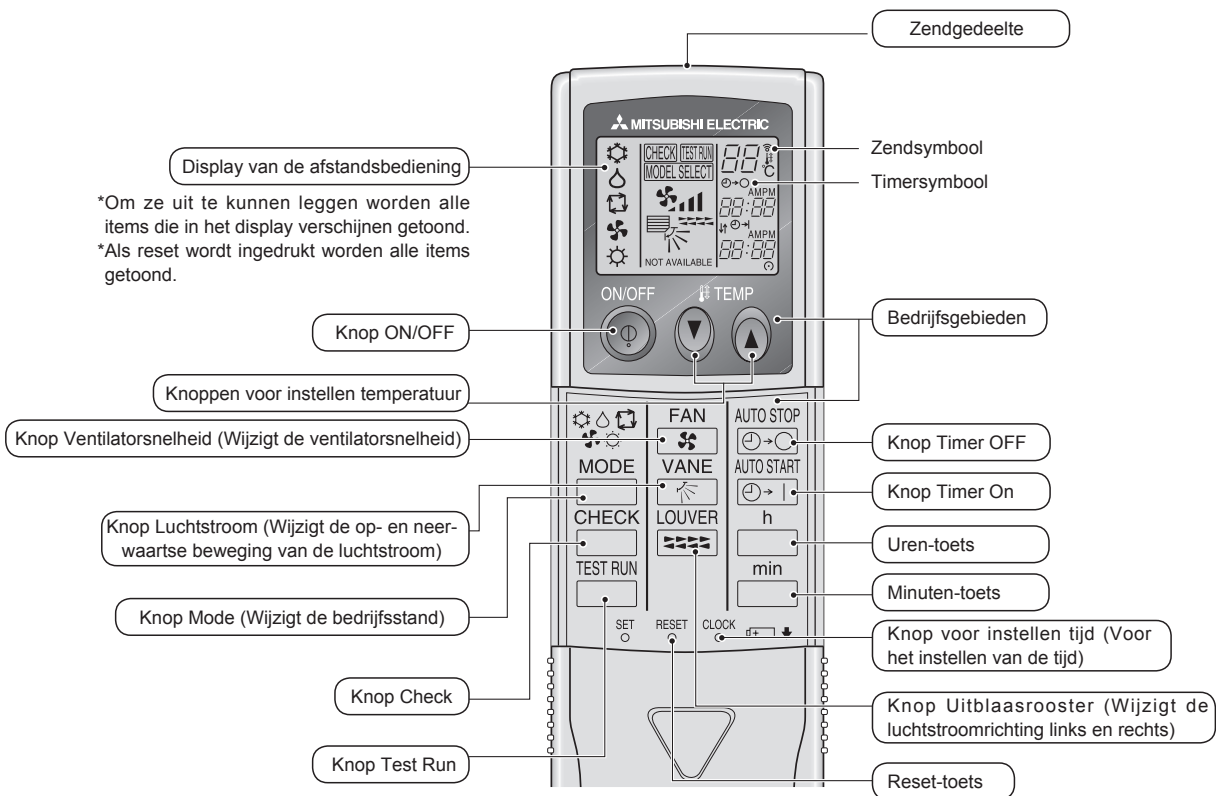
△ Volgende werkingsnummer.

#### Opmerking:

- Boodschap "PLEASE WAIT" (wachten a.u.b.)  
Als het binnenapparaat op de voeding wordt aangesloten of als het apparaat na een spanningsonderbreking herstelt, wordt deze boodschap ongeveer 3 minuten getoond.
- Knipperende weergave bedrijfsstand  
Wanneer er meerdere binnenapparaten zijn aangesloten op één buitenapparaat en u kiest voor een binnenapparaat een andere bedrijfsstand dan de stand die is geselecteerd voor een ander binnenapparaat, knippert de weergave van de bedrijfsstand. Selecteer dezelfde bedrijfsstand als van het andere binnenapparaat.
- Boodschap "NOT AVAILABLE" (niet beschikbaar)  
Deze boodschap wordt getoond als een toets wordt ingedrukt voor een functie die niet op het binnenapparaat beschikbaar is.  
Wanneer u dezelfde afstandsbediening gebruikt voor de bediening van meerdere binnenapparaten, wordt deze boodschap getoond als u op het hoofd-binnenapparaat een functie selecteert die hierop niet beschikbaar is.
- Weergave kamertemperatuur  
U kunt de temperatuursensoren van het binnenapparaat of de temperatuursensor van de afstandsbediening selecteren voor het meten van de kamertemperatuur. De begininstelling is de selectie van de temperatuursensoren van het binnenapparaat. Wanneer u de temperatuursensoren van het binnenapparaat selecteert voor het meten van de kamertemperatuur, wordt de kamertemperatuur die wordt gemeten bij het hoofd-binnenapparaat weergegeven op de afstandsbediening die wordt gebruikt voor meerdere binnenapparaten.

## 2. Onderdelen

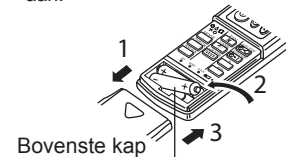
### ■ Voor de draadloze afstandsbediening



- Indien u de draadloze afstandsbediening gebruikt, dient u deze in de richting te houden van de ontvanger op het binnenapparaat.
- Als u de afstandsbediening bedient binnen ongeveer twee minuten nadat het binnenapparaat op de voeding is aangesloten, laat het binnenapparaat mogelijk 2 keer een piepsignaal horen ten teken dat het apparaat de initiële automatische controle aan het uitvoeren is.
- Het binnenapparaat laat een piepsignaal horen om te bevestigen dat het uitgezonden signaal van de afstandsbediening is ontvangen. De signalen kunnen tot ongeveer 7 meter in een rechte lijn van het binnenapparaat worden ontvangen, binnen 45° links en rechts van het apparaat. Fluorescerende lampen en sterke verlichting kunnen het vermogen van het binnenapparaat om signalen te ontvangen echter verminderen.
- Als het bedrijfslampje bij de ontvanger op het binnenapparaat knippert, moet het apparaat worden nagezien. Neem voor onderhoud contact op met uw leverancier.
- Wees voorzichtig met de afstandsbediening! Laat hem niet vallen en stel hem niet bloot aan harde schokken. Laat de afstandsbediening ook niet nat worden en laat hem ook niet in ruimtes met een hoog vochtigheidsgehalte.
- Om te voorkomen dat de afstandsbediening kwijt raakt, kunt u de houder die bij de afstandsbediening wordt meegeleverd aan een wand monteren en de afstandsbediening hier na gebruik steeds in terug plaatsen.

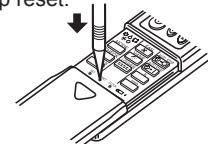
### Aanbrengen/vervangen van de batterijen

1. Verwijder de bovenste kap, breng twee AAA-batterijen aan en breng de bovenste kap weer aan.



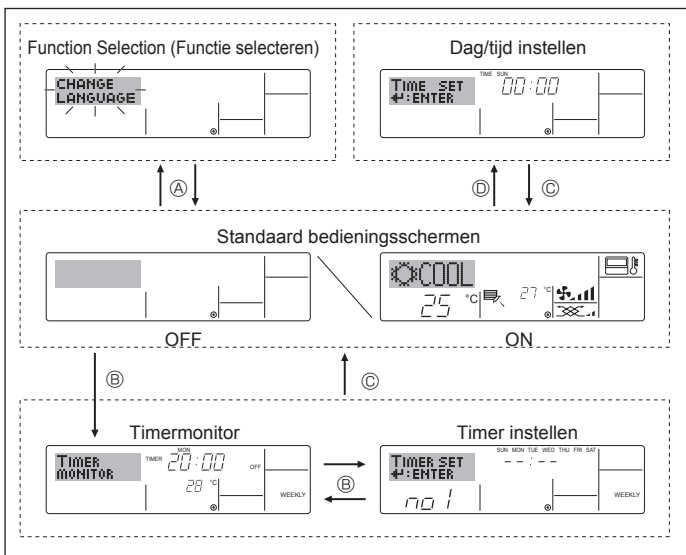
Twee AAA-batterijen  
Breng eerst de negatieve pool (-) van de batterijen in de houder. Plaats de batterijen in de juiste richting (+, -)!

2. Druk op reset.



Gebruik een voorwerp met een smalle punt om op reset te drukken.

### 3. Schermconfiguratie



#### <Schermtypen>

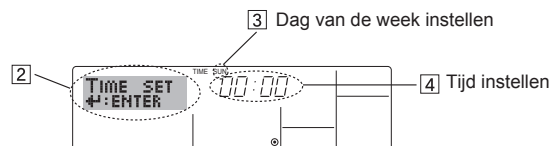
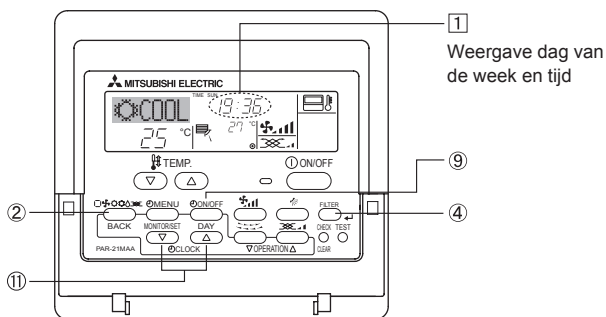
De displaytaal kan niet worden ingesteld op Nederlands. Daarom wordt de oorspronkelijk ingestelde taal, Engels, weergegeven op de displays in deze handleiding.

- **Function Selection (Functie selecteren):** de beschikbare functies en bereiken instellen op de afstandsbediening (timerfuncties, beperkingen, enz.).
- **Dag/tijd instellen:** de huidige dag van de week of tijd instellen.
- **Standaard bedieningsschermen:** de werkingstatus van het airconditioningssysteem weergeven en instellen.
- **Timermonitor:** de momenteel ingestelde timer weergeven (schakelklok, enkelvoudige timer of automatisch uitschakelen).
- **Timer instellen:** de werking van de timers instellen (schakelklok, enkelvoudige timer of automatisch uitschakelen).

#### <Het scherm wijzigen>

- Naar **A** : houd zowel de knop Mode als Timer On/Off twee seconden lang ingedrukt.
- Naar **B** : druk op de knop Timer Menu.
- Naar **C** : druk op de knop Mode (Return).
- Naar **D** : druk op een van de knoppen Set Time (▽ of △).

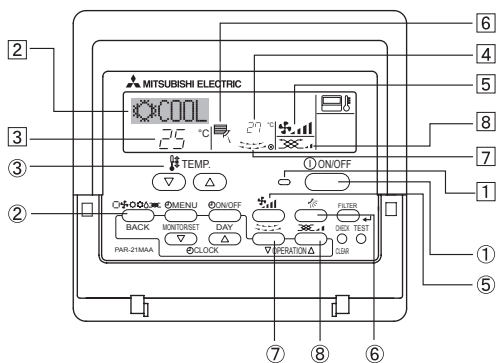
### 4. De dag van de week en de tijd instellen



- Druk op ▽ of △ van Set Time ① zodat ② wordt weergegeven.
- Druk op Timer On/Off (Set Day) ⑨ om de dag in te stellen.
  - \* Met elke druk op de knop schuift de weergegeven dag bij ③ een dag op: Sun → Mon → ... → Fri → Sat (Zo, ma, ..., vr, za).
- Druk zo vaak als nodig is op Set Time ① om de tijd in te stellen.
  - \* Als u de knop ingedrukt houdt, neemt de tijd (bij ④) eerst toe in intervals van één minuut, daarna in intervals van tien minuten en vervolgens in intervals van één uur.
- Nadat u bij de stappen 2 en 3 de juiste instellingen hebt ingevoerd, drukt u op Filter ← ④ om de waarden te vergrendelen.

**Opmerking:**  
De dag en tijd worden niet weergegeven als de klok is uitgeschakeld bij Function Selection.

### 5. Gebruik



#### 5.1. ON/OFF (AAN/UIT)-zetten

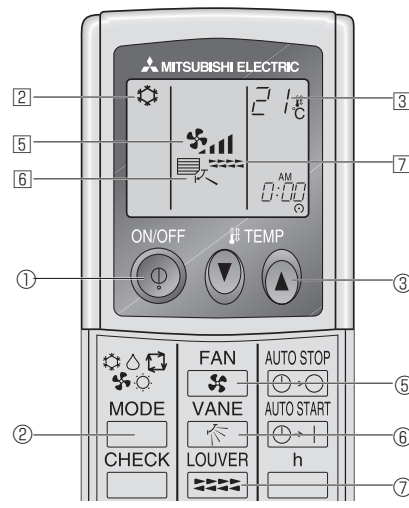
##### <De werking starten>

- Druk op ON/OFF ①.
  - Het ON-lampje ① gaat aan en het schermgebied licht op.

**Opmerking:**  
● Nadat de unit opnieuw is gestart, zijn dit de begininstellingen.

		Instellingen op de afstandsbediening	
Modus		Last setting (Laatste instelling)	
Temperatuurinstelling		Last setting (Laatste instelling)	
Ventilatorsnelheid		Last setting (Laatste instelling)	
Luchtstroom naar boven/beneden	Modus	COOL of DRY	Horiz. Outlet (Hor. Uitblazen) *1
		HEAT	Last setting (Laatste instelling) *2
		FAN	Horiz. Outlet (Hor. Uitblazen) *1

\*1 Laatste instelling kan zijn toegepast afhankelijk van het type binnenapparaat.  
\*2 Als de laatste instelling swing is, dan kan de luchtstroming Neerwaarts 4 zijn afhankelijk van het type binnenapparaat.



##### <De werking stoppen>

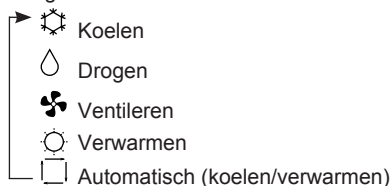
- Druk nogmaals op ON/OFF ①.
  - Het ON-lampje ① gaat uit en het schermgebied wordt donker.

**Opmerking:**  
Zelfs als u direct op de ON/OFF (AAN/UIT)-toets drukt nadat u de air-conditioner net uitgeschakeld hebt, zal het apparaat voor ongeveer drie minuten niet starten. Dit is om te voorkomen dat interne onderdelen schade oplopen.

## 5. Gebruik

### 5.2. Kiezen van de werkingsstand

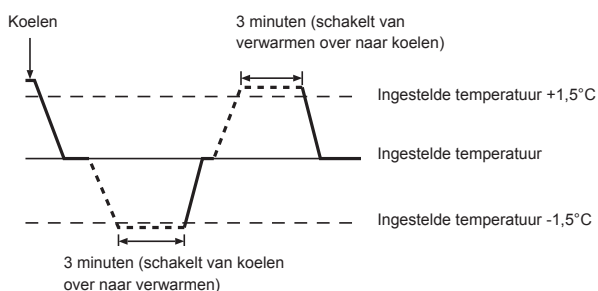
■ Druk op knop Operation mode (☐❄️🌧️🌀🔥) ② en kies de gewenste werkingsstand ③.



#### Automatisch bedrijf

■ Uitgaande van een ingestelde temperatuur, begint het koelbedrijf als de ruimtetemperatuur te hoog is en begint het verwarmingsbedrijf als de ruimtetemperatuur te laag is.

■ Bij automatisch bedrijf schakelt de airconditioner over naar koelbedrijf als de ruimtetemperatuur verandert en 3 minuten lang minstens 1,5 °C boven de ingestelde temperatuur blijft. Op dezelfde wijze schakelt de airconditioner over naar verwarmingsbedrijf als de ruimtetemperatuur 3 minuten lang minstens 1,5 °C onder de ingestelde temperatuur blijft.



■ Aangezien de ruimtetemperatuur automatisch wordt geregeld om een vaste effectieve temperatuur te behouden, wordt het koelbedrijf een paar graden hoger en het verwarmingsbedrijf een paar graden lager uitgevoerd dan de ingestelde ruimtetemperatuur, zodra die temperatuur is bereikt (automatisch energiebesparend bedrijf).

### 5.3. Temperatuurstelling

#### Om de kamertemperatuur te verlagen:

Druk op ③ om de gewenste temperatuur in te stellen. De ingestelde temperatuur wordt weergegeven ③.

#### Om de kamertemperatuur te verhogen:

Druk op ③ om de gewenste temperatuur in te stellen. De ingestelde temperatuur wordt weergegeven ③.

• Het beschikbare temperatuurbereik dat ingesteld kan worden is:

Koelen & Drogen:	19 - 30 °C
Verwarmen:	17 - 28 °C
Automatisch:	19 - 28 °C

• De display knippert op 8 °C - 39 °C, wat erop duidt dat de kamertemperatuur lager of hoger is dan de in de display weergegeven temperatuur.

### 5.4. Instelling ventilatorsnelheid

■ Druk, als de unit is ingeschakeld, zo vaak op de knop voor de ventilatiesnelheid ⑤ als nodig is.

- Met elke druk op de knop wijzigt u de kracht. De momenteel geselecteerde snelheid wordt weergegeven bij ⑤.
- Dit is de wijzigingsvolgorde en de beschikbare instellingen.

Ventilatorsnelheid	Display
4 snelheden + Auto*	snelheden 1   snelheden 2   snelheden 3   snelheden 4   Auto 
3 snelheden + Auto*	snelheden 1   snelheden 2   snelheden 3   Auto 
Model met 4 snelheden	snelheden 1   snelheden 2   snelheden 3   snelheden 4 

\* Uitsluitend voor MA afstandsbediening. Automatische ventilatorsnelheidsinstelling is nodig voor draadloze afstandsbediening.

#### Opmerking:

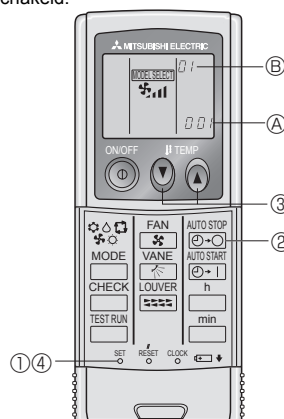
- Het aantal ventilatorsnelheden is afhankelijk van het type unit dat is aangesloten. Sommige units bevatten geen instelling "Auto".
- In de volgende gevallen verschilt de daadwerkelijke ventilatorsnelheid van de snelheid die op het display van de afstandsbediening wordt aangegeven.
  1. Als op het display "STAND BY" of "DEFROST" wordt getoond.
  2. Als de temperatuur van de warmtewisselaar in de verwarmingsstand laag is. (bijvoorbeeld onmiddellijk na het starten van het verwarmingsbedrijf)
  3. In de modus HEAT, als de omgevingstemperatuur hoger is dan de ingestelde temperatuur.
  4. Als de unit in de modus DRY staat.

#### Automatische windsnelheidsinstelling (voor draadloze afstandsbediening)

U hoeft alleen de draadloze afstandsbediening te gebruiken als de windsnelheid niet automatisch ingesteld is als standaardinstelling.

Het is niet nodig de automatische afstandsbediening te gebruiken als de windsnelheid automatisch is ingesteld als standaardinstelling.

- ① Druk op de toets SET met een puntig voorwerp. Voer dit uit als de display van de afstandsbediening uitstaat. knippert en het modelnummer licht op ④.
  - ② Druk op de toets AUTO STOP. knippert en het instellingsnummer licht op ⑤. (Instelling Nr. 01: zonder automatische windsnelheid)
  - ③ Druk op de temp. toetsen voor instelling nr. 02. (Instelling Nr. 02 met automatische windsnelheid)
- Als u de uitvoering verkeerd heeft begrepen, druk dan op de AAN/UIT-knop ⑥ en begin de uitvoering opnieuw vanaf procedure ②.
- ④ Druk op de toets SET met een puntig voorwerp. en modelnummer lichten gedurende drie seconden op en worden daarna uitgeschakeld.



### 5.5. Instelling van de richting van de luchtstroom

<De richting van de luchtuitstroom wijzigen naar beneden of naar boven>

- Druk, als de unit is ingeschakeld, zo vaak op Airflow Up/Down ⑥ als nodig is.
  - Met elke druk op de knop wijzigt u de richting. De huidige richting wordt weergegeven bij ⑥.
  - Dit is de wijzigingsvolgorde en de beschikbare instellingen.

Airflow	Display
Model met 5 stappen *1	Swing   Auto   1   2   3   4   5 
Model met 4 stappen (PMFY)	Swing   1 (Horiz.)   2   3   4 
Model met 4 stappen (PKFY-BM)	1 (Horiz.)   2   3   4 

\* Tijdens de "swing"-handeling wijzigt de richtingsindicatie op het scherm niet synchroon met de richting van de ventilatorbladen.

\* Op sommige modellen worden richtingsaanduidingen niet ondersteund.

\*1 Alleen voor MA-afstandsbediening, andere afstandsbedieningen geven hetzelfde weer als het 4 stappenmodel.

\*2 Instelling van de richting van de luchtstroom <Auto>  
COOL/FAN/DRY : Instelling 1 (Horizontaal), HEAT : Instelling 5 (Naar beneden 5)

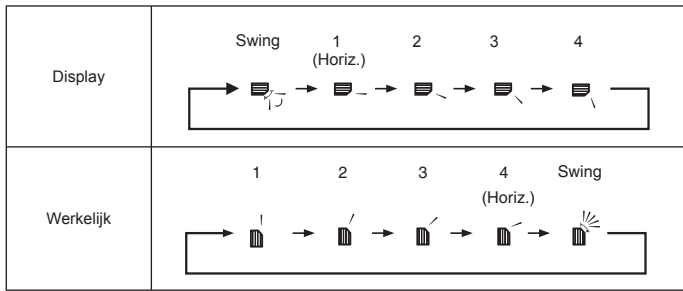
#### Opmerking:

- De beschikbare richtingen zijn afhankelijk van het type unit dat is aangesloten. Sommige units bevatten geen instelling "Auto".
- In de volgende gevallen verschilt de daadwerkelijke luchtrichting van de richting die op het display van de afstandsbediening wordt aangegeven.
  1. Als op het display "STAND BY" of "DEFROST" wordt getoond.
  2. Direct na het starten van de modus HEAT (als het systeem wacht tot de moduswijziging van kracht wordt).
  3. In de modus HEAT, als de omgevingstemperatuur hoger is dan de ingestelde temperatuur.

## 5. Gebruik

(Voor type PFFY-P-VKM)

- Voor het type PFFY-P-VKM verschilt de luchtrichting die de afstandsbediening aangeeft van de werkelijke luchtrichting. Zie de volgende tabel.

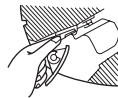


- De luchtrichting voor de demper van de onderste luchtuitlaat is niet in te stellen. Deze luchtrichting wordt per computer automatisch geregeld.

<[Handmatig] Het wijzigen van de links/rechtsrichting van de luchtstroom>

\* De lamellentoets ⑦ kan niet worden gebruikt.

- Stop de werking van het apparaat, houd de hendel van de lamellen vast, en pas de gewenste richting aan.
- \* Stel de binnenrichting niet in als het apparaat zich in de koel- of droogstand bevindt omdat er een risico bestaat op condensatie en het druppelen van water.



⚠ **Voorzichtig:**

Indien u het bovenstaande proces uitvoert, moet u maatregelen nemen om een val te vermijden.

## 6. Timer

### 6.1. Voor de snoer afstandsbediening

Met behulp van Function Selection kunt u aangeven welk van de drie typen timers u wilt gebruiken: ① Weekly timer (schakelklok), ② Simple timer (enkelvoudige timer) of ③ Auto Off timer (automatisch uitschakelen).

#### 6.1.1. Weekly Timer (Schakelklok)

■ Met de schakelklok kunt u maximaal acht handelingen opgeven voor elke dag van de week.

- Elke handeling kan bestaan uit: aan/uit-tijd in combinatie met een temperatuur, alleen de aan/uit-tijd of alleen de temperatuur.
- Als de huidige tijd op de ingestelde tijd van deze timer komt, wordt de op de timer ingestelde handeling op de airconditioner uitgevoerd.

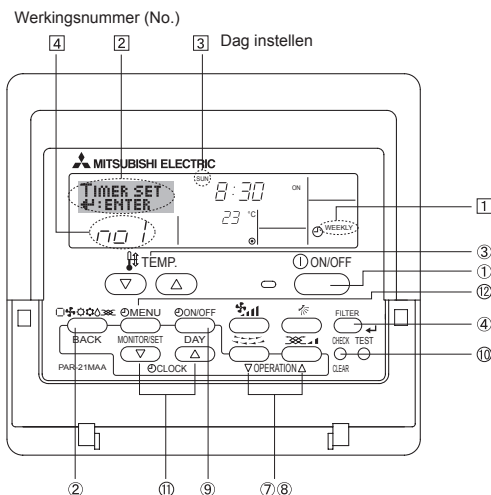
■ De minimale tijd die u kunt instellen op de timer is 1 minuut.

**Opmerking:**

\*1. De schakelklok, enkelvoudige timer en automatisch uitschakelen kunnen niet tegelijkertijd worden gebruikt.

\*2. De schakelklok werkt niet als aan een van de volgende voorwaarden is voldaan.

De timerfunctie is uitgeschakeld; het systeem bevindt zich in een abnormale staat; er is een testrun gaande; op de afstandsbediening wordt een zelftest of controle uitgevoerd; de gebruiker schakelt op dit moment een functie of timer in of stelt de huidige dag van de week of de tijd in; het systeem wordt centraal bestuurd. (Op het systeem worden met name geen handelingen uitgevoerd (unit aan, unit uit, temperatuur instellen) die tijdens deze omstandigheden zijn uitgeschakeld.)



## 5.6. Ventilatie

► Voor de LOSSNAY-combinatie

### 5.6.1. Voor de snoer afstandsbediening

- De ventilator in combinatie met de binnenunit laten werken:
  - Druk op ON/OFF 1.
    - De indicatie Vent wordt weergegeven op het scherm (bij 8). De ventilator werkt nu automatisch als de binnenunit is ingeschakeld.
- De ventilator alleen laten werken als de binnenunit is uitgeschakeld:
  - Druk, terwijl de binnenunit is uitgeschakeld, op Ventilation 8.
    - Het ON-lampje (bij 1) gaat aan en de indicatie Ventilation (bij 8) licht op.
- De ventilatorkracht wijzigen:
  - Druk, voor zover nodig, op Ventilation 8.
    - Met elke druk op de knop schakelt u tussen de verschillende instellingen, zoals hieronder vermeld.



**Opmerking:**

- Bij sommige modelconfiguraties draait de ventilator op de binnenunit zelfs als u de ventilator zo instelt dat deze onafhankelijk draait.

<Schakelklok instellen>

1. Zorg dat u het standaard bedieningsscherm voor u hebt en dat de indicator van de schakelklok [ ] op het display wordt weergegeven.
2. Druk op Timer Menu [ ], zodat "Set Up" op het scherm verschijnt (bij [2]). (Met elke druk op de knop schakelt u tussen "Set Up" en "Monitor".)
3. Druk op Timer On/Off (Set Day) [9] om de dag in te stellen. Met elke druk op de knop schuift de weergegeven dag bij [3] een dag op, in de onderstaande volgorde: "Sun Mon Tues Wed Thurs Fri Sat" → "Sun" → ... → "Fri" → "Sat" → "Sun Mon Tues Wed Thurs Fri Sat"...
4. Druk zo vaak als nodig op ▽ of ▲ voor Operation [7] of [8] om het juiste werkingsnummer te selecteren (1 tot en met 8) [4].
  - \* Door middel van uw keuze bij de stappen 3 en 4 wordt een van de cellen uit de onderstaande matrix geselecteerd (op het display van de afstandsbediening links wordt weergegeven wat op het display komt te staan als u Operation 1 voor Sunday (Werking 1 voor zondag) op de onderstaande warden instelt).

**Instellingmatrix**

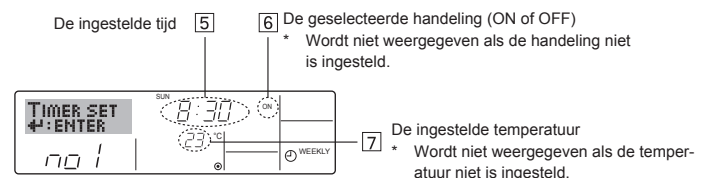
Op No.	Sunday	Monday	...	Saturday
No. 1	• 8:30 • ON • 23 °C			
No. 2	• 10:00 • OFF	• 10:00 • OFF	• 10:00 • OFF	• 10:00 • OFF
...				
No. 8				

<Operation 1-instellingen voor zondag>  
Start de airconditioner om 8:30 uur, met een ingestelde temperatuur van 23 °C..

<Operation 2-instellingen voor elke dag>  
Zet de airconditioner uit om 10:00 uur.

**Opmerking:**

Als u de dag instelt op "Sun Mon Tues Wed Thurs Fri Sat", kunt u elke dag dezelfde handelingen laten uitvoeren op dezelfde tijd. (Bijvoorbeeld: Operation 2 hierboven, die voor alle dagen van de week gelijk is.)





## 6. Timer

### <Schakelklok instellen>

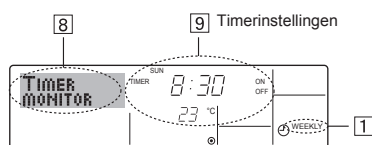
- Druk zo vaak als nodig op de betreffende Set Time-knop ① om de gewenste tijd in te stellen (bij ⑤).
  - \* Als u de knop ingedrukt houdt, neemt de tijd eerst toe in minuten, dan met een interval van tien minuten en tenslotte met een interval van een uur.
- Druk op ON/OFF ① om de gewenste handeling te selecteren (ON of OFF), bij ⑥.
  - \* Met elke druk op de knop wijzigt de volgende instelling, in de onderstaande volgorde: geen weergave (geen instelling) → "ON" → "OFF"
- Druk zo vaak als nodig op de betreffende Set Temperature-knop ③ om de gewenste temperatuur in te stellen (bij ⑦).
  - \* Met elke druk op de knop wijzigt u de instelling, in de onderstaande volgorde: geen weergave (geen instelling) ↔ 24 ↔ 25 ↔ ... ↔ 29 ↔ 30 ↔ 12 ↔ ... ↔ 23 ↔ geen weergave. (Beschikbaar bereik: het instellingsbereik varieert van 12 °C tot 30 °C. Het daadwerkelijke bereik voor de temperatuurregeling is echter afhankelijk van het type unit dat is aangesloten.)
- Nadat u bij de stappen 5, 6 en 7 de juiste instellingen hebt ingevoerd, drukt u op Filter ↵ ④ om de waarden te vergrendelen. Als u de huidige reeks waarden voor de geselecteerde handeling wilt verwijderen, drukt u eenmaal op Check (Clear) ⑩ en laat deze snel weer los.
  - \* De weergegeven tijd verandert in "—:—" en de instellingen On/Off en temperatuur verdwijnen allemaal. (Als u alle schakelklokinstellingen in een keer wilt wissen, houdt u Check (Clear) ⑩ twee seconden of langer ingedrukt. De display begint te knipperen, wat aanduidt dat alle instellingen zijn verwijderd.)

### Opmerking:

De nieuwe waarden worden geannuleerd als u op Mode (Return) ② drukt voordat u op Filter ↵ ④ hebt gedrukt. Als u twee of meer verschillende handelingen voor precies dezelfde tijd hebt ingesteld, wordt alleen de handeling met het hoogste Operation No. uitgevoerd.

- Herhaal, indien nodig, de stappen 3 tot en met 8, om alle gewenste cellen te vullen.
- Druk op Mode (Return) ② om terug te keren naar het standaard bedieningsscherm en de instelprocedure te voltooien.
- Voor het activeren van de timer drukt u op Timer On/Off ⑨, zodat de indicatie "Timer Off" van het scherm verdwijnt. **Controleer of de indicatie "Timer Off" niet langer wordt weergegeven.**
  - \* Als er geen timer-instellingen zijn, knippert op het scherm de aanduiding "Timer Off".

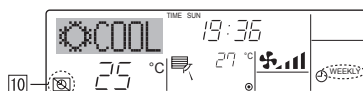
### <Schakelklokinstellingen weergeven>



- Controleer dat de schakelklokindicator zichtbaar is op het scherm (bij ①).
- Druk op Timer Menu ②, zodat "Monitor" op het scherm verschijnt (bij ⑧).
- Druk zo vaak als nodig op Timer On/Off (Set Day) ⑨ om de dag weer te geven waarvan u de instellingen wilt bekijken.
- Druk zo vaak als nodig op ∇ of ∆ voor Operation (⑦ of ⑧) om het juiste werkingsnummer op het display weer te geven (bij ⑨).
  - \* Met elke druk op de knop wordt geschakeld naar de volgende timer-handeling, in volgorde van de ingestelde tijd.
- Als u de monitor wilt sluiten en terug wilt keren naar het standaard bedieningsscherm drukt u op Mode (Return) ②.

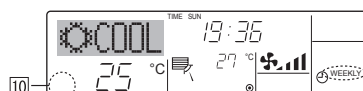
### <De schakelklok uitschakelen>

Druk op Timer On/Off ⑨, zodat de indicatie "Timer Off" verschijnt bij ⑩.



### <De schakelklok inschakelen>

Druk op Timer On/Off ⑨, zodat de indicatie "Timer Off" donker wordt (bij ⑩).



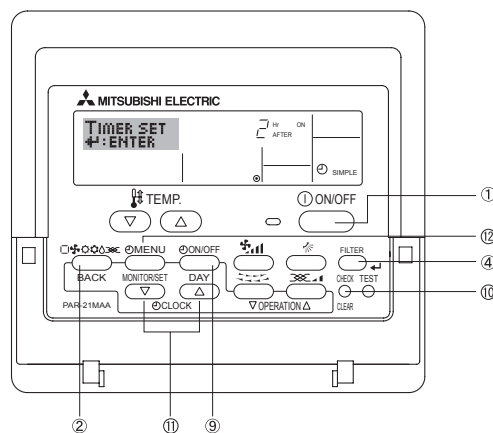
## 6.1.2. Simple Timer (Enkelvoudige timer)

U kunt de enkelvoudige timer op drie manieren instellen.

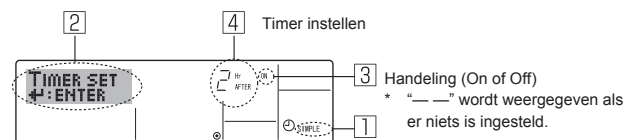
- Alleen begintijd: de airconditioner wordt ingeschakeld als de ingestelde tijd is verstreken.
  - Alleen eindtijd: de airconditioner wordt uitgeschakeld als de ingestelde tijd is verstreken.
  - Begin- en eindtijden: de airconditioner wordt in- en uitgeschakeld als de ingestelde tijdstippen zijn verstreken.
- De enkelvoudige timer (starten en stoppen) kan slechts eenmaal binnen een periode van 72 uur worden ingesteld. De tijd kan worden ingesteld in intervallen van een uur.

### Opmerking:

- De schakelklok, enkelvoudige timer en automatisch uitschakelen kunnen niet tegelijkertijd worden gebruikt.
- De enkelvoudige timer werkt niet als aan een van de volgende voorwaarden is voldaan. De timerfunctie is uitgeschakeld; het systeem bevindt zich in een abnormale staat; er is een testrun gaande; op de afstandsbediening wordt een zelftest of diagnose uitgevoerd; de gebruiker stelt op dit moment een functie in; het systeem wordt centraal bestuurd. (Onder deze voorwaarden is de On/Off-handeling uitgeschakeld.)



### <Enkelvoudige timer instellen>



- Zorg dat u het standaard bedieningsscherm voor u hebt en dat de indicator van de enkelvoudige timer ① op het display wordt weergegeven. Als niet de enkelvoudige timer wordt weergegeven, maar iets anders, stelt u de SIMPLE TIMER in via Function Selection (zie 8.[4]-3 (3)) timerfunctie inschakelen.
- Druk op Timer Menu ②, zodat "Set Up" op het scherm verschijnt (bij ②). (Met elke druk op de knop schakelt u tussen "Set Up" en "Monitor".)
- Druk op ON/OFF ① om de huidige instelling van de enkelvoudige timer weer te geven (ON of OFF). Druk eenmaal op de knop om de resterende tijd voor ON weer te geven en druk dan nogmaals op de knop om de resterende tijd voor OFF weer te geven. (de indicatie ON/OFF ziet u bij ③).
  - "ON"-timer: de airconditioner wordt ingeschakeld als het opgegeven aantal uren is verstreken.
  - "OFF"-timer: de airconditioner wordt uitgeschakeld als het opgegeven aantal uren is verstreken.
- "ON" of "OFF" wordt weergegeven bij ③: Druk zo vaak als nodig op de betreffende Set Time-knop ① om de uren ON in te stellen (als "ON" wordt weergegeven) of de uren OFF (als "OFF" wordt weergegeven bij ④).
  - Beschikbaar bereik: 1 tot 72 uur
- Als u zowel de ON- als de OFF-tijden wilt instellen, herhaalt u de stappen 3 en 4.
  - \* De ON- en OFF-tijden kunnen echter niet op dezelfde waarde worden ingesteld.
- Zo wist u de huidige ON- of OFF-instelling: Geef de ON- of OFF-instelling weer (zie stap 3) en druk vervolgens op Check (Clear) ⑩ zodat de tijd op "—" komt te staan bij ④. (Wilt u alleen een ON-instelling of alleen een OFF-instelling gebruiken, controleer dan of de instelling die u niet wilt gebruiken als "—" wordt weergegeven.)

## 6. Timer

7. Nadat u de stappen 3 tot en met 6 hebt ingevoerd, drukt u op Filter  $\leftarrow$  ④ om de waarden te vergrendelen.

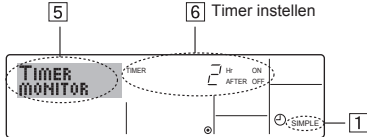
### Opmerking:

De nieuwe waarden worden geannuleerd als u op Mode (Return) ② drukt voordat u op Filter  $\leftarrow$  ④ hebt gedrukt.

8. Druk op Mode (Return) ② om terug te keren naar het standaard bedieningsscherm.

9. Druk op Timer On/Off ⑨ om het aftellen te starten. Als de timer aftelt, is de waarde zichtbaar op het display. **Controleer of de timerwaarde zichtbaar en goed wordt weergegeven.**

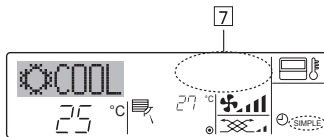
### <De huidige instellingen van de enkelvoudige timer weergeven>



1. Controleer dat de indicator van de enkelvoudige timer zichtbaar is op het scherm (bij ①).
2. Druk op Timer Menu ②, zodat "Monitor" op het scherm verschijnt (bij ⑤).
  - Als de ON- of OFF-enkelvoudige timer wordt uitgevoerd, verschijnt de huidige timerwaarde bij ⑥.
  - Als zowel de ON- als de OFF-waarden zijn ingesteld, worden de beide waarden om en om weergegeven.
3. Druk op Mode (Return) ② om de monitorweergave te sluiten en terug te keren naar het standaard bedieningsscherm.

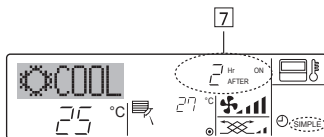
### <De enkelvoudige timer uitschakelen>

Druk op Timer On/Off ⑨, zodat de timerinstelling niet meer op het scherm wordt weergegeven (bij ⑦).



### <De enkelvoudige timer starten>

Druk op Timer On/Off ⑨, zodat de timerinstelling verschijnt bij ⑦.

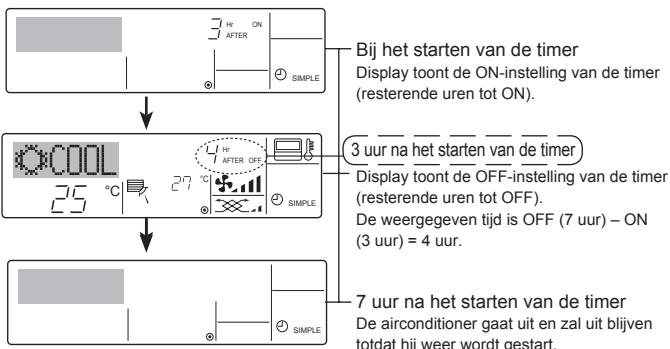


### Voorbeelden

Als zowel de ON- als de OFF-tijden zijn ingeschakeld voor de enkelvoudige timer, is de werking en weergave als volgt.

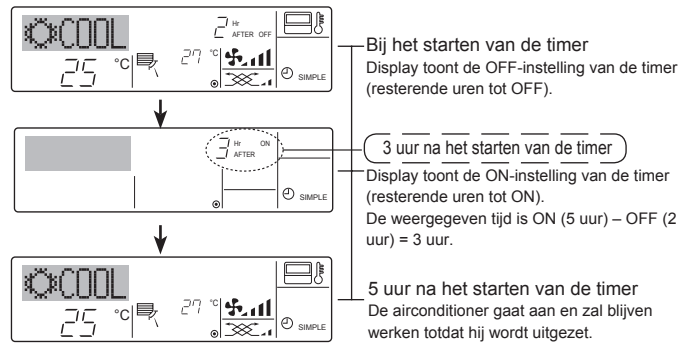
#### Voorbeeld 1:

Start de timer waarbij de ON-tijd eerder is ingesteld dan de OFF-tijd  
 ON-instelling: 3 uur  
 OFF-instelling: 7 uur



#### Voorbeeld 2:

Start de timer waarbij de OFF-tijd eerder is ingesteld dan de ON-tijd  
 ON-instelling: 5 uur  
 OFF-instelling: 2 uur



### 6.1.3. Auto Off Timer (Automatisch-uitschakelen)

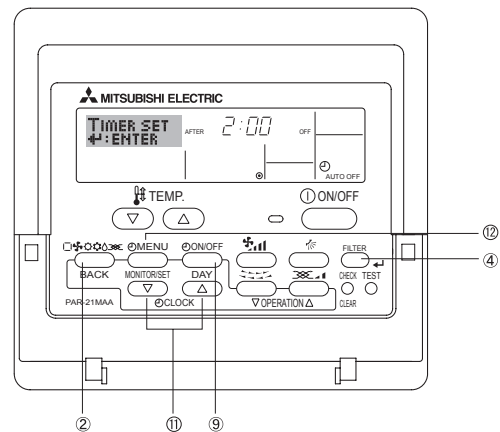
- Deze timer begint met aftellen als de airconditioner wordt ingeschakeld en schakelt de airconditioner uit als de ingestelde tijd is verstreken.
- De beschikbare instellingen variëren van 30 minuten tot 4 uur, met intervallen van 30 minuten.

### Opmerking:

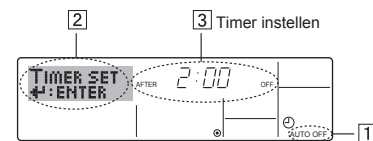
\*1. De schakelklok, enkelvoudige timer en automatisch uitschakelen kunnen niet tegelijkertijd worden gebruikt.

\*2. De Auto Off-timer werkt niet als aan een van de volgende voorwaarden is voldaan.

De timerfunctie is uitgeschakeld; het systeem bevindt zich in een abnormale staat; er is een testrun gaande; op de afstandsbediening wordt een zelftest of diagnose uitgevoerd; de gebruiker stelt op dit moment een functie in; het systeem wordt centraal bestuurd. (Onder deze voorwaarden is de On/Off-handeling uitgeschakeld.)



### <Auto Off-timer instellen>



1. Zorg dat u het standaard bedieningsscherm voor u hebt en dat de indicator van de Auto Off-timer (bij ①) op het display wordt weergegeven.

Als automatisch uitschakelen niet wordt weergegeven, maar iets anders, stelt u de AUTO OFF TIMER in via Function Selection (zie 8.[4]-3 (3)) timerfunctie inschakelen.

2. Houd Timer Menu ② drie seconden lang ingedrukt, zodat "Set Up" op het scherm verschijnt (bij ②).  
(Met elke druk op de knop schakelt u tussen "Set Up" en "Monitor".)

3. Druk zo vaak als nodig op de betreffende Set Time-knop ① om de OFF-tijd in te stellen (bij ③).

4. Druk op Filter  $\leftarrow$  ④ om de instelling te vast te zetten.

### Opmerking:

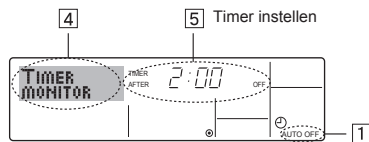
De nieuwe waarde wordt geannuleerd als u op Mode (Return) ② drukt voordat u op Filter  $\leftarrow$  ④ hebt gedrukt.

5. Druk op Mode (Return) ② om de instelprocedure af te sluiten en terug te keren naar het standaard bedieningsscherm.

6. Als de airconditioner al aan staat, begint de timer direct met aftellen. **Controleer dat de instelling van de timer correct wordt weergegeven op het display.**

## 6. Timer

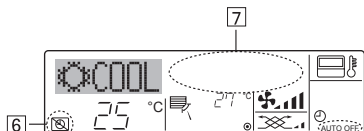
### <De instelling van de Auto Off-timer controleren>



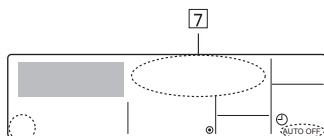
1. Controleer dat "Auto Off" zichtbaar is op het scherm (bij 1).
2. Houd Timer Menu 2 drie seconden lang ingedrukt, zodat "Monitor" op het scherm verschijnt (bij 4).
  - De tijd tot uitschakeling ziet u staan bij 5.
3. Als u de monitor wilt sluiten en terug wilt keren naar het standaard bedieningsscherm drukt u op Mode (Return) 2.

### <De Auto-Off timer uitschakelen>

- Houd Timer On/Off 9 drie seconden lang ingedrukt, zodat "Timer Off" op het scherm verschijnt (bij 6) en de timerwaarde (bij 7) verdwijnt.

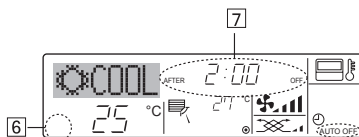


- Of zet de airconditioner zelf uit. De timerwaarde (bij 7) verdwijnt van het scherm.

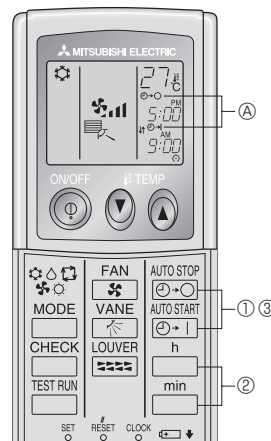


### <De Auto-Off timer starten>

- Houd Timer On/Off 9 drie seconden lang ingedrukt. De indicatie "Timer Off" verdwijnt (bij 6) en de timerinstelling licht (bij 7) op het display op.
- Of zet de airconditioner aan. De timerwaarde wordt weergegeven bij 7.



## 6.2. Voor de draadloze afstandsbediening



- 1 Druk de **AUTO STOP** of **AUTO START** -toets in (TIMER SET).
    - De tijd kan worden ingesteld als het volgende symbool knippert. OFF (UIT)-timer: A  $\ominus$ -O knippert. ON (AAN)-timer: A  $\ominus$ -I knippert.
  - 2 Gebruik de **h** (Uren) en **min** (Minuten)-toetsen om de gewenste tijd in te stellen.
  - 3 De timer annuleren.
    - Om de OFF (UIT)-timer te annuleren, druk op **AUTO STOP**.
    - Om de ON (AAN)-timer te annuleren, druk op **AUTO START**.
- Het is mogelijk om de OFF en ON timers te combineren.
  - Als de timer ingesteld is kunt u om het apparaat te stoppen op 1 ON/OFF (AAN/UIT) op de afstandsbediening drukken om de timers te annuleren.
  - Als de huidige tijd niet is ingesteld, kan de timerfunctie niet worden gebruikt.

## 7. Andere functies

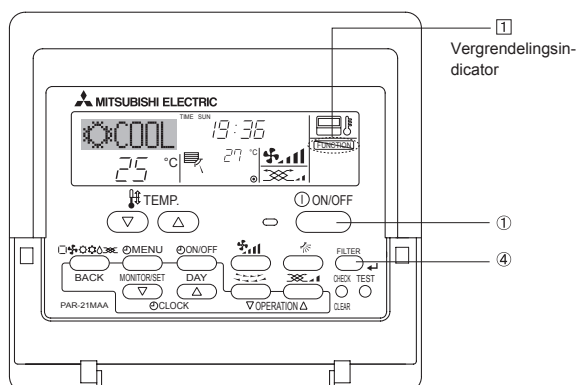
### 7.1. De knoppen van de afstandsbediening vergrendelen (functiebeperking van Operation)

- Als u dat wilt, kunt u de knoppen van de afstandsbediening vergrendelen. Met behulp van Function Selection of de afstandsbediening kunt u aangeven welk type vergrendeling u wilt gebruiken. (Zie paragraaf 8 onder [4]-2 (1) als u meer wilt weten over het selecteren van het type vergrendeling.) U hebt met name de keuze uit de onderstaande twee vergrendelingsstypen.

- 1 Lock All Buttons: hiermee vergrendelt u alle knoppen op de afstandsbediening.
- 2 Lock All Except ON/OFF: hiermee vergrendelt u alle knoppen op de afstandsbediening, behalve de knoppen On en Off.

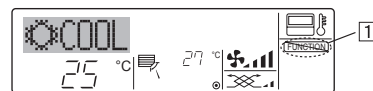
#### Opmerking:

De indicatie "Locked" (Vergrendeld) verschijnt op het scherm om aan te geven dat de knoppen momenteel zijn vergrendeld.



### <De knoppen vergrendelen>

1. Druk, terwijl u de knop Filter 4 ingedrukt houdt, op ON/OFF 1 en houd deze twee seconden ingedrukt. De indicatie "Locked" (Vergrendeld) verschijnt op het scherm (bij 1) om aan te geven dat de vergrendeling actief is.
  - \* Als de vergrendeling is uitgeschakeld in Function Selection verschijnt op het scherm de melding "Not Available" (Niet beschikbaar) als u op de hierboven genoemde knoppen drukt.



- Als u op een vergrendelde knop drukt, knippert de indicatie "Locked" (Vergrendeld) op het display (bij 1).



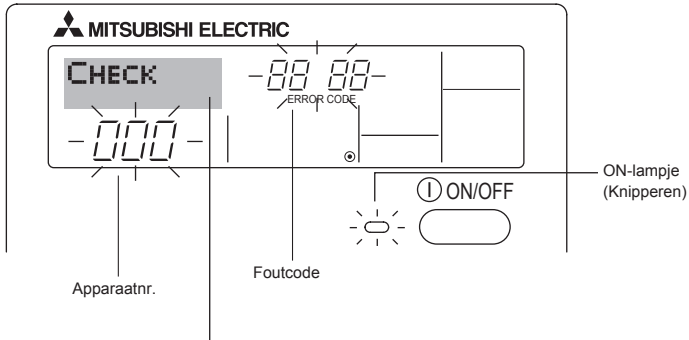
### <De knoppen ontgrendelen>

1. Druk, terwijl u de knop Filter 4 ingedrukt houdt, op ON/OFF 1 en houd deze twee seconden ingedrukt, zodat de indicatie "Locked" (Vergrendeld) verdwijnt van het scherm (bij 1).



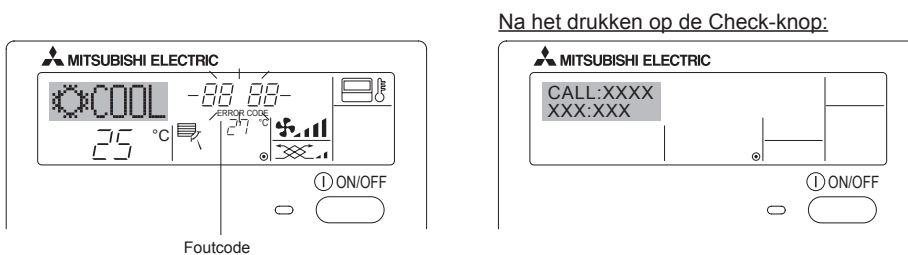
## 7. Andere functies

### 7.2. Foutcode-aanwijzingen



Als u een telefoonnummer hebt opgegeven dat moet worden gebeld in geval van problemen, wordt dit nummer op het scherm weergegeven. (U kunt dit nummer instellen onder Function Selection. Zie paragraaf 8 voor meer informatie.)

- Als het ON-lampje en de foutcode beide knipperen: dit betekent dat de airconditioner defect is en de werking is onderbroken (kan niet worden hervat). Schrijf het aangegeven unitnummer en de foutcode op, schakel de stroom van de airconditioner uit en bel de leverancier of de onderhoudstechnicus.



- Als alleen de foutcode knippert (terwijl het ON-lampje blijft branden): het apparaat blijft werken, hoewel er mogelijk een probleem is ontstaan. Schrijf in dit geval de foutcode op en bel de leverancier of de onderhoudstechnicus voor advies.
- \* Als u een telefoonnummer hebt opgegeven dat moet worden gebeld in geval van problemen, drukt u op Check om dit nummer op het scherm weer te geven. (U kunt dit nummer instellen onder Function Selection. Zie paragraaf 8 voor meer informatie.)

## 8. Functiekeuze

### Functiekeuze van de afstandsbediening

De instelling van de volgende functies van de afstandsbediening kan in de functiekeuzestand van de afstandsbediening worden gewijzigd. Wijzig de instelling indien nodig.

Item 1	Item 2	Item 3 (betekenis van de instelling)
1. De taal wijzigen ("CHANGE LANGUAGE")	Instelling displaytaal	• Weergave is mogelijk in meerdere talen
2. Functiebegrenzing ("FUNCTION SELECTION")	(1) Instelling begrenzing bedrijfsfuncties (bedrijfsblokkering) ("LOCKING FUNCTION")	• Het instellen van de begrenzing van bedrijfsfuncties (bedrijfsblokkering)
	(2) Instelling gebruik van de automatische stand ("SELECT AUTO MODE")	• Instelling van het wel of niet gebruiken van de "automatische" bedrijfsstand
	(3) Instelling van de temperatuurbegrenzings ("LIMIT TEMP FUNCTION")	• Instellen van het instelbare temperatuurbereik (maximum, minimum)
3. Standkeuze ("MODE SELECTION")	(1) Instelling hoofd/sub-afstandsbediening ("CONTROLLER MAIN/SUB")	• Keuze van de hoofd- of subafstandsbediening * Indien op één groep twee afstandsbedieningen zijn aangesloten, dient één afstandsbediening als "sub" te worden ingesteld.
	(2) Instelling klok gebruiken ("CLOCK")	• Instelling van het wel of niet gebruiken van de klokfunctie
	(3) Instelling van de timerfunctie ("WEEKLY TIMER")	• Instelling van het type timer
	(4) Instelling contactnummer bij storingen ("CALL.")	• Weergave van het te bellen nummer bij storingen • Instelling van het telefoonnummer
4. Display wijzigen ("DISP MODE SETTING")	(1) Instelling temperatuurweergave °C/°F ("TEMP MODE °C/°F")	• Instelling van de weer te geven temperatuureenheid (°C of °F)
	(2) Instelling weergave afzuigluchttemperatuur ("ROOM TEMP DISP SELECT")	• Instelling van het wel of niet gebruiken van het display van de binnen-(aanzuig)-luchttemperatuur
	(3) Instelling weergave automatisch koelen/verwarmen ("AUTO MODE DISP C/H")	• Instelling van het wel of niet gebruiken van het display voor "koelen" of "verwarmen" tijdens bedrijf in de automatische stand

# 8. Functiekeuze

## [Stroomdiagram functiekeuze] Insteltaal (Engels)

Normaal display (display als de airconditioner niet in bedrijf is)

Houd toets ⑤ ingedrukt en druk gedurende twee seconden op toets ④.

Houd toets ⑤ ingedrukt en druk gedurende twee seconden op toets ④.

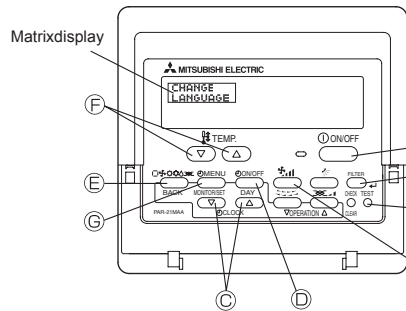
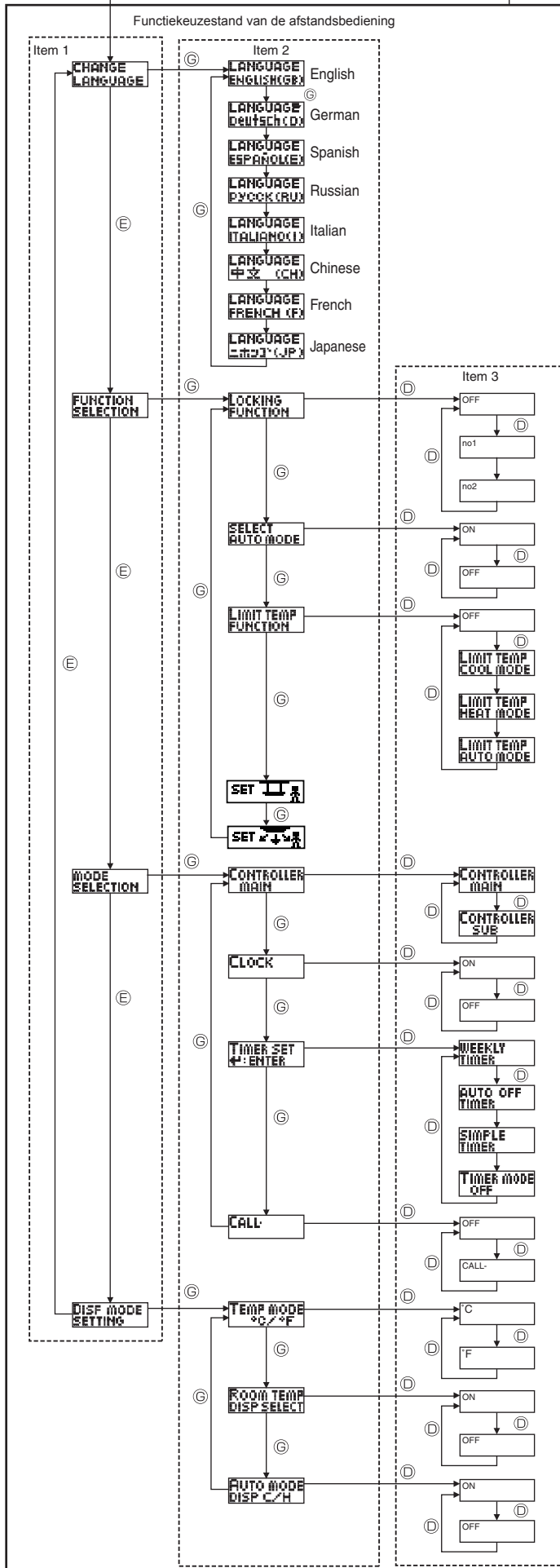
- ⑤ Druk op de bedrijfsstandtoets.
- ④ Druk op de TIMER MENU-toets.
- ④ Druk op de TIMER ON/OFF-toets (TIMER AAN/UIT).

De taal wijzigen

Functiekeuze

Standkeuze

Display wijzigen



- De bedrijfsblokkeringsinstelling wordt niet gebruikt. (initiele instelwaarde)
- De instelling van de bedrijfsblokkering geldt niet bij On/Off (Aan/Uit)-toets.
- De instelling van de bedrijfsblokkering is All buttons (alle toetsen).
- Als de bedrijfsstand wordt geselecteerd wordt de automatische stand weergegeven. (initiele instelwaarde)
- De automatische stand wordt niet weergegeven als de bedrijfsstand wordt geselecteerd.
- De begrenzing van het temperatuurbereik is niet actief. (initiele instelwaarde)
- Het temperatuurbereik kan worden gewijzigd in de koel/droog-stand.
- Het temperatuurbereik kan worden gewijzigd in de verwarmingsstand.
- Het temperatuurbereik kan worden gewijzigd in de automatische stand.
- Automatisch filter-elevatiepaneel op/neeer bedieningsstand  
Deze stand instellen is niet nodig. Raadpleeg de BEDIENINGSHANDLEIDING van Als Optie Verkrijgbare Onderdelen (Paneel) voor nadere bijzonderheden over de bediening.
- Stand vaste luchtstroomrichting  
Deze stand instellen is niet nodig. Raadpleeg de BEDIENINGSHANDLEIDING van de binnenuit voor nadere bijzonderheden over de bediening.
- De afstandsbediening zal de hoofdbediening zijn. (initiele instelwaarde)
- De afstandsbediening zal de sub-bediening zijn.
- De klokfunctie kan worden gebruikt. (initiele instelwaarde)
- De klokfunctie kan niet worden gebruikt.
- De Weekly timer (schakelklok) kan worden gebruikt. (initiele instelwaarde)
- De Auto off timer (automatisch-uitschakelen) kan worden gebruikt.
- De Simple timer (enkelvoudige timer) kan worden gebruikt.
- De timerstand kan niet worden gebruikt.
- Bij een fout worden de ingestelde contactnummers niet weergegeven. (initiele instelwaarde)
- Bij een fout worden de ingestelde contactnummers weergegeven.
- °C wordt als eenheid van temperatuur gebruikt. (initiele instelwaarde)
- °F wordt als eenheid van temperatuur gebruikt.
- De ruimtetemperatuur wordt weergegeven. (initiele instelwaarde)
- De ruimtetemperatuur wordt niet weergegeven.
- Bij automatisch bedrijf wordt "Automatic cooling" (automatisch koelen) of "Automatic heating" (automatisch verwarmen) weergegeven. (initiele instelwaarde)
- In de automatische stand wordt alleen "Automatic" (automatisch) weergegeven.



## 8. Functiekeuze

### [Details van de instellingen]

#### [4]-1 Instelling CHANGE LANGUAGE (taal wijzigen)

De taal in het matrixdisplay kan worden geselecteerd.

- Druk op de [MENU]-toets om de taal te wijzigen.
  - ① Engels (GB), ② Duits (D), ③ Spaans (E), ④ Russisch (RU),
  - ⑤ Italiaans (I), ⑥ Chinees (CH), ⑦ Frans (F), ⑧ Japans (JP)

Zie de tabel van het matrix-display.

#### [4]-2 Functiebegrenzing

##### (1) Instelling begrenzing bedrijfsfuncties (bedrijfsblokkering)

- Om de instelling te wijzigen drukt u op de [ON/OFF]-knop.
  - ① no1: Voor de instelling van de bedrijfsblokkering worden alle toetsen behalve de [ON/OFF]-knop gebruikt.
  - ② no2: De bedrijfsblokkering wordt via alle toetsen ingesteld.
  - ③ OFF (Initiële instelling): De bedrijfsblokkering wordt niet ingesteld.
- \* Om de instelling van de bedrijfsblokkering op het normale scherm van kracht te laten worden, moeten de [FILTER]- en de [ON/OFF]-knoppen gedurende twee seconden tegelijkertijd worden ingedrukt, bij het normale scherm en nadat de bovenstaande instelling is uitgevoerd.

##### (2) Instelling gebruik van de automatische stand

Indien de afstandsbediening aangesloten is op een unit met automatische bedrijfsstand, kunnen de volgende instellingen worden uitgevoerd.

- Om de instelling te wijzigen drukt u op de [ON/OFF]-knoppen.
  - ① ON (Initiële instelling):  
Als de bedrijfsstand wordt geselecteerd, wordt de automatische stand getoond.
  - ② OFF:  
Als de bedrijfsstand wordt geselecteerd, wordt de automatische stand niet getoond.

##### (3) Instelling van de temperatuurbegrenzings

Nadat deze instelling is gemaakt, kan de temperatuur binnen het ingestelde bereik worden gewijzigd.

- Om de instelling te wijzigen drukt u op de [ON/OFF]-knoppen.
  - ① LIMIT TEMP COOL MODE:  
Het temperatuurbereik kan in de koel/droogstand worden gewijzigd.
  - ② LIMIT TEMP HEAT MODE:  
Het temperatuurbereik kan in de verwarmingsstand worden gewijzigd.
  - ③ LIMIT TEMP AUTO MODE:  
Het temperatuurbereik kan in de automatische stand worden gewijzigd.
  - ④ OFF (initial setting): De begrenzing van het temperatuurbereik is niet geactiveerd.

\* Indien de instelling wordt gemaakt (behalve bij OFF (uit)), wordt tegelijkertijd de temperatuurbegrenzing bij koelen, verwarmen en automatisch ingesteld. Het bereik kan echter niet worden begrensd als het ingestelde temperatuurbereik niet is gewijzigd.

- Om de temperatuur hoger of lager te maken, drukt u op [TEMP. (▽) of (△)].
- Om naar de instelling van de bovenste en onderste begrenzing te schakelen, drukt u op [TEMP. (▽) of (△)]. De geselecteerde instelling knippert en u kunt de temperatuur instellen.
- Instelbaar bereik  
Koel/droogstand:  
Ondergrens: 19°C t/m 30°C    Bovengrens: 30°C t/m 19°C  
Verwarmingsstand:  
Ondergrens: 17°C t/m 28°C    Bovengrens: 28°C t/m 17°C  
Automatische stand:  
Ondergrens: 19°C t/m 28°C    Bovengrens: 28°C t/m 19°C

#### [4]-3 Standkeuze-instelling

##### (1) Instelling hoofd/sub-afstandsbediening

- Om de instelling te wijzigen drukt u op de [ON/OFF]-knop.
  - ① Main: De afstandsbediening is de hoofd-afstandsbediening.
  - ② Sub: De afstandsbediening is de sub-afstandsbediening.

##### (2) Instelling klok gebruiken

- Om de instelling te wijzigen drukt u op de [ON/OFF]-knop.
  - ① ON: De klokfunctie kan worden gebruikt.
  - ② OFF: De klokfunctie kan niet worden gebruikt.

##### (3) Instelling van de timerfunctie

- Om de instelling te wijzigen drukt u op de [ON/OFF]-knop (Kies één van de volgende).
  - ① WEEKLY TIMER (Initiële instelling):  
De weektimer kan worden gebruikt.
  - ② AUTO OFF TIMER:  
De auto-uit-timer kan worden gebruikt.
  - ③ SIMPLE TIMER:  
De eenvoudige timer kan worden gebruikt.
  - ④ TIMER MODE OFF:  
De timer kan niet worden gebruikt.
- \* Indien de instelling voor het gebruik van de klok OFF (uit) is, kan de "WEEKLY TIMER" niet worden gebruikt.

##### (4) Instelling contactnummer bij storingen

- Om de instelling te wijzigen drukt u op de [ON/OFF]-knop.
  - ① CALL OFF:  
De ingestelde te bellen nummers worden bij een storing niet getoond.
  - ② CALL \*\*\*\* \*  
De ingestelde te bellen nummers worden bij een storing getoond.  
CALL\_:  
U kunt het contactnummer instellen wanneer de display eruit-ziet als hierboven wordt afgebeeld.
- Het instellen van de te bellen nummers  
Om de te bellen nummers in te stellen dient u de onderstaande procedures te volgen.  
Verplaats de knipperende cursor naar de in te stellen nummers. Druk op [TEMP. (▽) en (△)]-knoppen om de cursor naar rechts of links te verplaatsen. Druk op [CLOCK (▽) en (△)]-knoppen om de nummers in te stellen.

#### [4]-4 Displayweergave-instelling

##### (1) Instelling temperatuurweergave °C/°F

- Om de instelling te wijzigen drukt u op de [ON/OFF]-knop.
  - ① °C: Voor de temperatuur wordt de eenheid °C gebruikt.
  - ② °F: Voor de temperatuur wordt de eenheid °F gebruikt.

##### (2) Instelling weergave kamer-luchttemperatuur

- Om de instelling te wijzigen drukt u op de [ON/OFF]-knop.
  - ① ON: De afzuigluchttemperatuur wordt weergegeven.
  - ② OFF: De afzuigluchttemperatuur wordt niet weergegeven.

##### (3) Instelling weergave automatisch koelen/verwarmen

- Om de instelling te wijzigen drukt u op de [ON/OFF]-knop.
  - ① ON:  
Bij automatisch bedrijf wordt "automatisch koelen" of "automatisch verwarmen" weergegeven.
  - ② OFF:  
Bij automatisch bedrijf wordt alleen "automatisch" getoond.

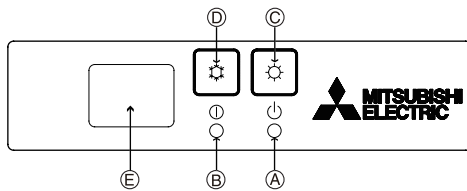
## 8. Functiekeuze

[Matrix-display-tabel]

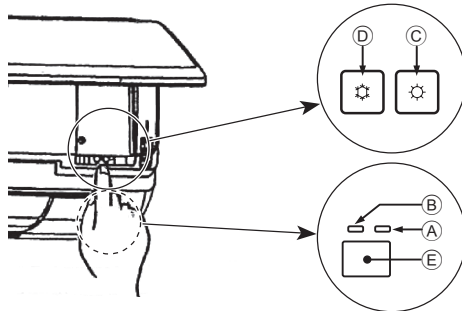
Insteltaal	English	German	Spanish	Russian	Italian	Chinese	French	Japanese	
Wacht op het opstarten	PLEASE WAIT	←	←	←	←	←	←	←	
Bedrijfsstand	Koelen	COOL	Kühlen	FRÍO	Холод	COOL	FROID	冷房	
	Drogen	DRY	Trocknen	DESHUMIDIFICACIÓN	Сушка	DRY	DESHU	ドライ	
	Verwarmen	HEAT	Heizen	CALOR	Тепло	HEAT	CHAUD	暖房	
	Automatisch	AUTO	AUTO	AUTOMÁTICO	АВТО	AUTO	自动	AUTO	自動
	Automatisch (Koelen)	COOL	Kühlen	FRÍO	Холод	COOL	制冷	FROID	冷房
	Automatisch (Verwarmen)	HEAT	Heizen	CALOR	Тепло	HEAT	制热	CHAUD	暖房
	Ventileren	FAN	Lüfter	VENTILACIÓN	ВЕНТ	VENTILAZIONE	送风	VENTI LATION	送風
	Ventilatie	VENTILATION	Gebläse Betrieb	VENTILACIÓN	ВЕНТИЛЯЦИЯ	ARIA ESTERNA	换气	VENTI LATION	換気
	Stand-by (Warmte-instelling)	STAND BY	STAND BY	CALENTANDO	ОБОГРЕВ: ПАУЗА	STAND BY	准备中	PRE CHAUFFAGE	準備中
Ontdooien	DEFROST	Abtauen	DESCONGE-LACIÓN	ОТТАВЛИВАНИЕ	SBRINAMENTO	除霜中	DEGIVRAGE	霜取中	
Ingestelde temperatuur	SET TEMP	TEMP einstellen	TEMP. CONSIGNA	ЦЕЛЕВАЯ ТЕМПЕРАТУРА	IMPOSTAZIONE TEMPERATURA	设定温度	REGLAGE TEMPERATURE	設定温度	
Ventilatorsnelheid	FAN SPEED	Lüftersgeschwindigkeit	VELOCIDAD VENTILADOR	СКОРОСТЬ ВЕНТИЛЯТОРА	VELOCITA' VENTILATORE	风速	VITESSE DE VENTILATION	風速	
Toets niet in gebruik	NOT AVAILABLE	Nicht verfügbar	NO DISPONIBLE	НЕ ДОСТУПНО	NON DISPONIBILE	无效按钮	NON DISPONIBLE	無効ボタン	
Controle (fout)	CHECK	Prüfen	COMPROBAR	ПРОВЕРКА	CHECK	检查	CONTROLE	点検	
Proefdraaien	TEST RUN	Testbetrieb	TEST FUNCIONAMIENTO	ТЕСТОВЫЙ ЗАПУСК	TEST RUN	试运行	TEST	試運転	
Zelf-controle	SELF CHECK	Selbst-diagnose	AUTO REVISIÓN	САМОДИАГНОСТИКА	SELF CHECK	自我诊断	AUTO CONTROLE	自己診断	
Functiekeuze van het apparaat	FUNCTION SELECTION	Funktion AUSWAHL	SELECCIÓN DE FUNCIÓN	ВЫБОР ФУНКЦИИ	SELEZIONE FUNZIONI	功能选择	SELECTION FONCTIONS	メニュー選択	
Ventilatie instellen	SETTING OF VENTILATION	Lüfterstufen wählen	CONFIG. VENTILACIÓN	НАСТРОЙКА ВЕНТИЛЯЦИИ	IMPOSTAZIONE ARIA ESTERNA	换气设定	SELECTION VENTILATION	換気設定	

Insteltaal	English	German	Spanish	Russian	Italian	Chinese	French	Japanese
De taal wijzigen	CHANGE LANGUAGE	←	←	←	←	←	←	←
Functiekeuze	FUNCTION SELECTION	Funktion auswählen	SELECCIÓN DE FUNCIONES	ВЫБОР ФУНКЦИИ	SELEZIONE FUNZIONI	功能限制	SELECTION FONCTIONS	メニュー制限
Instelling begrenzing bedrijfsfunctie	LOCKING FUNCTION	Sperr - Funktion	FUNCION BLOQUEADA	ФУНКЦИЯ БЛОКИРОВКИ	BLOCCO FUNZIONI	操作限制	BLOCAGE FONCTIONS	操作ロック
Instelling gebruik van automatische stand	SELECT AUTO MODE	Auswahl AUTO Betrieb	SELECCIÓN MODO AUTO	ВЫБОР РЕЖИМА АВТО	SELEZIONE MODO AUTO	自动模式	SELECTION DU MODO AUTO	自動モード
Instelling begrenzing temperatuurbereik	LIMIT TEMP FUNCTION	Limit TEMP Funktion	LIMIT TEMP CONSIGNA	ОГРАНИЧЕНИЕ УСТ.ТЕМПЕРАТ	LIMITAZIONE TEMPERATURA	温度限制	LIMITATION TEMPERATURE	温度制限
Stand begrenzing temperatuurkoeling/dag	LIMIT TEMP COOL MODE	Limit Kühl TEMP	LIMIT TEMP MODO FRIO	ОГРАНИЧЕНИЕ ОХЛАЖАЮЩЕ	LIMITAZIONE MODO COOL	制冷范围	LIMITE TEMP MODO FROID	制冷冷房
Begrenzing temperatuur verwarmingsstand	LIMIT TEMP HEAT MODE	Limit Heiz TEMP	LIMIT TEMP MODO CALOR	ОГРАНИЧЕН ОБОГРЕВ	LIMITAZIONE MODO HEAT	制热范围	LIMITE TEMP MODO CHAUD	制热暖房
Begrenzing temperatuur autostand	LIMIT TEMP AUTO MODE	Limit AUTO TEMP	LIMIT TEMP MODO AUTO	ОГРАНИЧЕН РЕЖИМ АВТО	LIMITAZIONE MODO AUTO	自动范围	LIMITE TEMP MODO AUTO	制热自動
Standkeuze	MODE SELECTION	Betriebsart wählen	SELECCIÓN DE MODO	ВЫБОР РЕЖИМА	SELEZIONE MODO	基本模式	SELECTION DU MODO	基本メニュー
Instelling afstandsbediening als hoofd-afstandsbediening	CONTROLLER MAIN	Haupt controller	CONTROL PRINCIPAL	ОСНОВНОЙ ПУЛЬТ	CONTROLLO MAIN	遥控主	TELCOMMANDE MAITRE	リモコン主機
Instelling afstandsbediening als sub-afstandsbediening	CONTROLLER SUB	Neben controller	CONTROL SECUNDARIO	ДОПОЛНИТЕЛЬНЫЙ ПУЛЬТ	CONTROLLO SUB	遥控辅	TELCOMMANDE ESCLAVE	リモコン主機
Gebruik van de klokinstelling	CLOCK	Uhr	RELOJ	ЧАСЫ	OROLOGIO	时钟	AFFICHAGE HORLOGE	時計 ユニット
Instelling van de dag van de week en van de tijd	TIME SET 4:ENTER	Uhr stellen 4:einstellen	CONFIG RELOJ 4:CONFIG	ЧАСЫ:УСТ. 4:ВВОД	OROLOGIO 4:ENTER	时间 4:ENTER	HORLOGE 4:ENTRER	トクイセツテイ 4:カクテイ
Timerinstelling	TIMER SET 4:ENTER	Zeitschaltuhr 4:einstellen	TEMPORIZA - DOR 4:CONFIG	ТАЙМЕР:УСТ. 4:ВВОД	TIMER 4:ENTER	定时器 4:ENTER	PROG HORAIRE 4:ENTRER	タイマーセツテイ 4:カクテイ
Weergave timer	TIMER MONITOR	Uhrzeit Anzeige	VISUALIZAR TEMPORIZAD.	ПРОСМОТР ТАЙМЕРА	VISUALIZ TIMER	定时器状态	AFFICHAGE PROG HORAIRE	タイマーモニター
Schakelklok	WEEKLY TIMER	Wochenzeit schalt Uhr	TEMPORIZA - DOR SEMANAL	НЕДЕЛЬНЫЙ ТАЙМЕР	TIMER SETTIMANALE	每周定时器	PROG NEEDO MADAIRE	タイマー週間
Timerstand uit	TIMER MODE OFF	Zeitschaltuhr AUS	TEMPORIZA - DOR APAGADO	ТАЙМЕР ВЫКЛ.	TIMER OFF	定时器无效	PROG HORAIRE INACTIF	タイマー無効
Timer Automatisch uitschakelen	AUTO OFF TIMER	AUTO Zeit funktion AUS	APAGADO AUTOMÁTICO	АВТОМАТИЧ. ПО ТАЙМЕРУ	AUTO OFF TIMER	解除定时	PROG HORAIRE ARRET AUTO	タイマーオートオフ
Enkelvoudige timer	SIMPLE TIMER	Einfache Zeitfunktion	TEMPORIZA - DOR SIMPLE	ПРОСТОЙ ТАЙМЕР	TIMER SEMPLIFICATO	简易定时器	PROG HORAIRE SIMPLIFIE	タイマーカンイ
Contactnummerinstelling van de foutsituatie	CALL	←	←	←	←	←	←	←
Display wijzigen	DISP MODE SETTING	Anzeige Betriebsart	MOSTRAR MODO	НАСТРОЙКА ИЛИ РЕЖИМА	IMPOSTAZIONE MODO DISPLAY	转换表示	AFFICHAGE SOUS MENU	表示切替
Temperatuurweergave-instelling °C/°F	TEMP MODE °C/°F	Wechsel °C/°F	TEMP GRADOS °C/°F	ЕДИН.ТЕМПЕРА °C/°F	TEMPERATURA °C/°F	温度 °C/°F	TEMPERATURE °C/°F	温度 °C/°F
Instelling weergave ruimtetemperatuur	ROOM TEMP DISP SELECT	Raum Temp gewählt	MOSTRAR TEMP	ПОКАЗЫВАТЬ ТЕМП.В КОМН.	TEMPERATURA AMBIENTE	吸入温度	TEMPERATURE AMBIANTE	スイコエントド
Instelling weergave automatisch koelen/verwarmen	AUTO MODE DISP C/H	Auto Betrieb C/H	MOSTRAR F/C EN AUTO	ИЛИ Т/Х В РЕЖИМЕ АВТО	AUTO C/H	自动表示	AFFICHAGE AUTO F/C	自動表示

## 9. Noodbedrijf voor draadloze afstandsbediening



(Voor PKFY-P-VHM-E)



### Wanneer de afstandsbediening niet kan worden gebruikt

Als de batterijen van de afstandsbediening leeg zouden raken, of als de afstandsbediening niet goed zou functioneren, kunt u via de noodknoppen op het rooster overgaan op noodbedrijf.

- Ⓐ DEFROST/STAND BY-lamp
- Ⓑ Bedrijfslamp
- Ⓒ Noodbedrijfschakelaar (verwarmen)
- Ⓓ Noodbedrijfschakelaar (koelen)
- Ⓔ Ontvanger

Noodbedrijf starten

- Houd de Ⓒ-knop Ⓓ langer dan 2 seconden ingedrukt om naar de koelstand te gaan.
- Houd de Ⓒ-knop Ⓒ langer dan 2 seconden ingedrukt om naar de verwarmingsstand te gaan.

Opmerking:

- De details voor noodbedrijf worden onderstaand getoond.

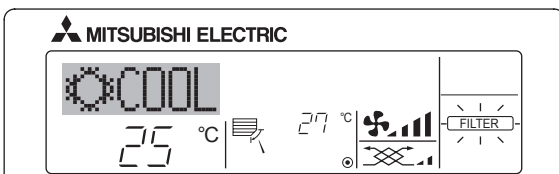
De details voor NOODBEDRIJF worden onderstaand getoond.

Bedrijfsstand	KOELEN	VERWARMEN
Ingestelde temperatuur	24°C	24°C
Ventilatorsnelheid	Hoog	Hoog
Blaasrichting	Horizontaal	Naar beneden 4 (5)

Bedrijf stoppen

- Om het bedrijf te stoppen drukt u op de Ⓒ-knop Ⓓ of de Ⓒ-knop Ⓒ langer dan 2 seconden.

## 10. Onderhoud en schoonmaken



- Hiermee wordt aangegeven dat het filter moet worden schoongemaakt. Reinig het filter.
- De aanduiding "FILTER" uitschakelen  
Druk, nadat u het filter heeft schoongemaakt, de [FILTER]-knop tweemaal achter elkaar in. De aanduiding verdwijnt.

Opmerking:

- Als er twee of meer verschillende soorten binnenapparaten worden bediend, verschilt dit schoonmaakinterval, afhankelijk van het soort filter. Op het tijdstip dat het filter van het hoofdapparaat moet worden schoongemaakt, verschijnt de aanduiding "FILTER". Als de aanduiding weer verdwijnt, begint de telling opnieuw.
- "FILTER" geeft het schoonmaakinterval aan dat wordt gehanteerd als het binnenapparaat onder normale omstandigheden wordt gebruikt. Er wordt alleen rekening gehouden met de verstrekte gebruiksduur. Als het filter wordt gebruikt in situaties waar de lucht vervuild is, dient u het filter vaker schoon te maken.
- Het schoonmaakinterval voor het filter verschilt van model tot model.
- Deze aanwijzing is voor de draadloze afstandsbediening niet beschikbaar.

### ▶ Reinigen van de filters

- Maak de filters schoon met behulp van een stofzuiger. Als u niet de beschikking heeft over een stofzuiger, klop de filters dan lichtjes tegen een hard voorwerp zodat al het stof en vuil eruit valt.
- Als de filters heel erg vuil zijn, was deze dan in lauw water. Als u wasmiddel gebruikt, zorg dan dat dit hierna grondig wordt weggespoeld en laat de filters goed drogen voordat u deze weer plaatst.

⚠ Voorzichtig:

- Droog de filters nooit in direct zonlicht of met behulp van een warmtebron zoals een straalkachel of een haardroger; hierdoor kunnen de filters kromtrekken.
- Was de filters nooit in heet water (meer dan 50°C); hierdoor kunnen de filters kromtrekken.
- Let erop dat de filters altijd zijn geïnstalleerd als u het apparaat gebruikt. Gebruik van het apparaat zonder de filters kan leiden tot beschadiging ervan.

⚠ Voorzichtig:

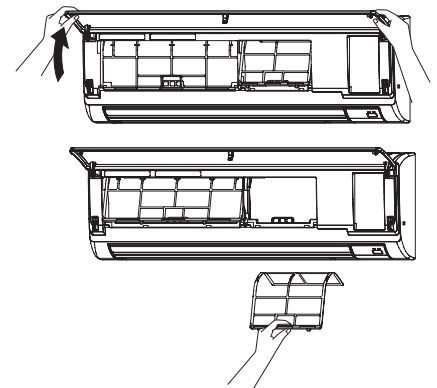
- Voordat u begint met schoonmaken, moet u het apparaat stoppen en de stroomvoorziening UITzetten.
- Binnenapparaten zijn uitgerust met filters om stof uit ingezogen lucht te verwijderen. Reinig de filters volgens de hieronder aangegeven methodes.

### ▶ Het filter verwijderen

⚠ Voorzichtig:

- U dient bij het verwijderen van het filter voorzorgsmaatregelen te treffen om uw ogen te beschermen tegen stof. Ook moet u op een kruikje gaan staan om het karwei uit te voeren. Zorg ervoor dat u niet valt.
- Als het filter is verwijderd, dient u de metalen delen van het apparaat voor binnengebruik niet aan te raken, om letsel te voorkomen.

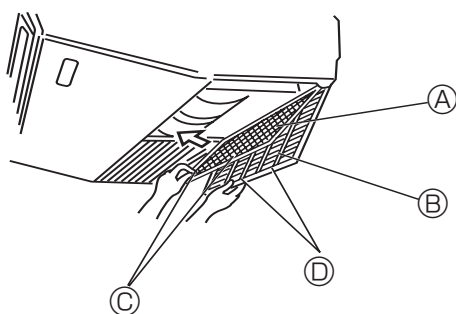
### ■ PKFY-P-VBM-E PKFY-P-VHM-E



- ① Trek aan beide onderhoeken van het inlaatrooster als u het rooster wilt openen, en til vervolgens het filter op.

## 10. Onderhoud en schoonmaken

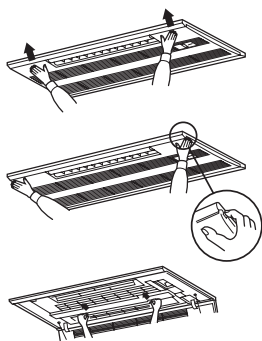
### ■ PCFY-P-VKM-E



- ① Open het inlaatrooster.
- ② Houd de knop op het filter vast en trek dan het filter naar boven in de richting van de pijl. Om het filter er nadat u het schoon gemaakt hebt weer in te doen, moet er voor zorgen dat u het filter er ver genoeg insteekt totdat het in het palletje zit.

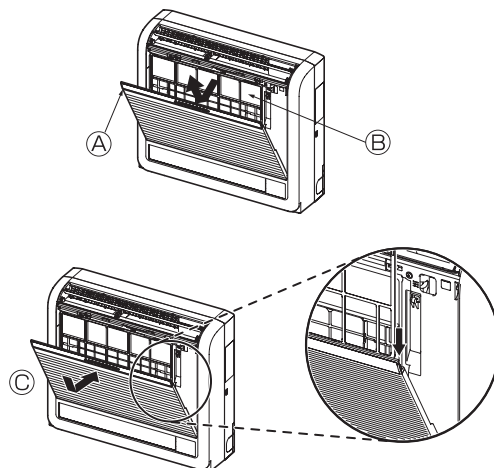
Ⓐ Filter    Ⓑ Inlaatrooster    Ⓒ Knop    Ⓓ Palletje

### ■ PMFY-P-VBM-E



- ① Door op de drukknop op de buitenkant van het inlaatrooster te drukken, gaat het inlaatrooster open.
- ② Een filter met een inlaatrooster erop kan verwijderd worden door het filter naar voren te trekken.

### ■ PFFY-P-VKM-E(2)



- ① Verwijder het catechine-luchtfilter.
  - Ⓐ Het voorste rooster openen
  - Ⓑ Catechine-luchtfilter






#### ⚠ Voorzichtig:

Bij het verwijderen van het catechine-luchtfilter dient u de metalen delen van de binneneenheid niet aan te raken.

Dit om letsel te voorkomen.

- ② Breng het catechine-filter weer aan.  
Let erop dat aan beide zijden de lipjes op hun plaats komen zoals getoond.
- Ⓒ Terugplaatsen.
- ③ Sluit het voorste rooster stevig.

## 11. Problemen en oplossingen

Heeft u een probleem?	Hier is de oplossing. (Het apparaat functioneert normaal.)
De airconditioner verwarmt of koelt niet goed.	<ul style="list-style-type: none"> <li>■ Reinig het filter. (De luchtstroom wordt verminderd als het filter vuil of verstopt is.)</li> <li>■ Controleer de temperatuurafstelling en stel de temperatuur in.</li> <li>■ Let erop dat er rond het buitenapparaat voldoende ruimte is. Is de luchtinof –uitlaat van het binnenapparaat geblokkeerd?</li> <li>■ Staat er een deur of raam open?</li> </ul>
Als het verwarmingsbedrijf start wordt de warme lucht niet snel uit het binnenapparaat geblazen.	<ul style="list-style-type: none"> <li>■ Er wordt pas warme lucht geblazen als het binnenapparaat voldoende is opgewarmd.</li> </ul>
Tijdens de verwarmingsstand stopt de airconditioner voordat de ingestelde ruimtetemperatuur is bereikt.	<ul style="list-style-type: none"> <li>■ Bij een lage buitentemperatuur en een hoge luchtvochtigheid kan er op het buitenapparaat ijsafzetting ontstaan. Als dit het geval is, voert het buitenapparaat het ontdooiingsbedrijf uit. Na ongeveer 10 minuten dient normaal bedrijf te beginnen.</li> </ul>
Tijdens bedrijf verandert de richting van de luchtstroom of kan de richting van de luchtstroom niet worden ingesteld.	<ul style="list-style-type: none"> <li>■ Tijdens de koelstand bewegen de kleppen zich automatisch na 1 uur naar de horizontale stand (naar beneden), als de richting van de luchtstroom is ingesteld naar beneden (horizontaal). Dit is om te voorkomen dat er water langs de kleppen naar beneden kan druppelen.</li> <li>■ Bij lage luchtstroomtemperatuur of tijdens het ontdooien gaan in de verwarmingsstand de kleppen automatisch naar de horizontale luchtstroomstand.</li> </ul>
Als de luchtstroomrichting wordt veranderd, gaan de kleppen altijd voorbij de instelpositie omhoog en omlaag voordat ze uiteindelijk bij de eindpositie stoppen.	<ul style="list-style-type: none"> <li>■ Als de luchtstroomrichting wordt veranderd, gaan de kleppen na het detecteren van de basispositie naar de ingestelde positie.</li> </ul>
Er klinkt een geluid van stromend water of zo nu en dan een sissend geluid.	<ul style="list-style-type: none"> <li>■ Deze geluiden kunnen worden gehoord als er koelstof in de airconditioner stroomt, of als de stroom van de koelstof verandert.</li> </ul>
Er klinkt een krakend of knarsend geluid.	<ul style="list-style-type: none"> <li>■ Deze geluiden kunnen worden gehoord als er ten gevolge van temperatuurveranderingen delen uitzetten of inkrimpen en daardoor langs elkaar gaan wrijven.</li> </ul>
De ruimte heeft een onaangename geur.	<ul style="list-style-type: none"> <li>■ Het binnenapparaat zuigt lucht aan die gassen afkomstig uit wanden, tapijt en meubilair bevat en tevens geuren uit kleding, en blaast deze dampen in de ruimte terug.</li> </ul>
Uit het binnenapparaat wordt een witte mist of damp uitgestoten.	<ul style="list-style-type: none"> <li>■ Indien de binnentemperatuur en de luchtvochtigheid hoog zijn, kan deze omstandigheid zich bij het begin van het bedrijf voordoen.</li> <li>■ Tijdens het ontdooien kan een koude luchtstroom naar beneden worden geblazen die eruitziet als mist.</li> </ul>
Er komt water of damp uit het buitenapparaat.	<ul style="list-style-type: none"> <li>■ Tijdens het koelen kan er water worden gevormd en van de koelpijpen en –verbindingen druppelen.</li> <li>■ Tijdens het verwarmen kan er op de warmtewisselaar water ontstaan en naar beneden druppelen.</li> <li>■ Tijdens het ontdooien kan het water op de warmtewisselaar verdampen, waardoor er waterdamp wordt uitgestoten.</li> </ul>
Het bedrijfssymbool verschijnt niet in het display van de afstandsbediening.	<ul style="list-style-type: none"> <li>■ Zet de hoofdschakelaar aan. In het scherm van de afstandsbediening verschijnt nu “”.</li> </ul>
De airconditioner werkt niet, ook niet als u op de knop ON/OFF (AAN/UIT) drukt. De weergave van de bedrijfsstand op de afstandsbediening verdwijnt.	<ul style="list-style-type: none"> <li>■ Staat de AAN/UIT- schakelaar van het binnenapparaat op UIT? Zet de AAN/UIT- schakelaar op AAN.</li> </ul>
“  ” verschijnt in het display van de afstandsbediening.	<ul style="list-style-type: none"> <li>■ Tijdens centrale besturing verschijnt “” in het display van de afstandsbediening en kan de airconditioner met de afstandsbediening worden gestart of gestopt.</li> </ul>
Als u de airconditioner kort nadat deze is gestopt opnieuw start, zal deze niet functioneren, ook al hebt u de hoofdschakelaar ingedrukt.	<ul style="list-style-type: none"> <li>■ Wacht ongeveer drie minuten. (Het bedrijf is gestopt om de airconditioner te beschermen.)</li> </ul>
De airconditioner werkt zonder dat de hoofdschakelaar is ingedrukt.	<ul style="list-style-type: none"> <li>■ Is de aan-timer ingesteld? Druk op de hoofdschakelaar om het bedrijf te stoppen.</li> <li>■ Is de airconditioner aan een centrale afstandsbediening gekoppeld? Raadpleeg de personen die de airconditioner bedienen.</li> <li>■ Verschijnt “” in het display van de afstandsbediening? Raadpleeg de personen die de airconditioner bedienen.</li> <li>■ Is de automatische herstelvoorziening bij spanningsonderbrekingen ingesteld? Druk op de hoofdschakelaar om het bedrijf te stoppen.</li> </ul>
De airconditioner stopt zonder dat de hoofdschakelaar is ingedrukt.	<ul style="list-style-type: none"> <li>■ Is de uit-timer ingesteld? Druk op de hoofdschakelaar om het bedrijf opnieuw te starten.</li> <li>■ Is de airconditioner aan een centrale afstandsbediening gekoppeld? Raadpleeg de personen die de airconditioner bedienen.</li> <li>■ Verschijnt “” in het display van de afstandsbediening? Raadpleeg de personen die de airconditioner bedienen.</li> </ul>
Het timerbedrijf van de afstandsbediening kan niet worden ingesteld.	<ul style="list-style-type: none"> <li>■ Zijn de timerinstellingen ongeldig? Als de timer kan worden ingesteld, verschijnt (WEEKLY) , (SIMPLE) of (AUTO OFF) in het display van de afstandsbediening.</li> </ul>
“PLEASE WAIT” (wachten a.u.b.) verschijnt in het display van de afstandsbediening.	<ul style="list-style-type: none"> <li>■ De initiële instellingen worden uitgevoerd. Wacht ongeveer 3 minuten.</li> </ul>
Er verschijnt een foutcode in het display van de afstandsbediening.	<ul style="list-style-type: none"> <li>■ De beveiligingen zijn aangesproken om de airconditioner te beveiligen.</li> <li>■ Probeer deze apparatuur niet zelf te repareren. Zet onmiddellijk de hoofdschakelaar uit en raadpleeg uw leverancier. Stel de leverancier op de hoogte van de modelnaam en de informatie die in het display van de afstandsbediening verscheen.</li> </ul>
Er klinkt een geluid van water dat wordt afgetapt of het draaien van een motor.	<ul style="list-style-type: none"> <li>■ Als het koelbedrijf stopt, treedt de aftappomp in werking, die vervolgens weer stopt. Wacht ongeveer 3 minuten.</li> </ul>



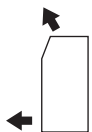


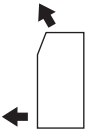

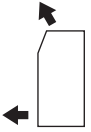
## 11. Problemen en oplossingen

Heeft u een probleem?	Hier is de oplossing. (Het apparaat functioneert normaal.)												
Het geluid is harder dan vermeld in de specificaties.	<p>■ Het geluidsniveau van een werkend apparaat binnenshuis wordt bepaald door de akoestiek van een bepaald vertrek, zoals u in de volgende tabel kunt zien, en zal hoger zijn dan de geluidsspecificatie, die gemeten is een akoestisch dood vertrek.</p> <table border="1"> <thead> <tr> <th></th> <th>Sterk geluidsabsorberende ruimten</th> <th>Normale ruimten</th> <th>Gering geluidsabsorberende ruimten</th> </tr> </thead> <tbody> <tr> <td>Voorbeelden van locaties</td> <td>Zendstudio, muziekrumten, enz.</td> <td>Ontvangstruimte, hotellobby, enz..</td> <td>Kantoor, hotelkamer</td> </tr> <tr> <td>Geluidsniveau's</td> <td>3 t/m 7 dB</td> <td>6 t/m 10 dB</td> <td>9 t/m 13 dB</td> </tr> </tbody> </table>		Sterk geluidsabsorberende ruimten	Normale ruimten	Gering geluidsabsorberende ruimten	Voorbeelden van locaties	Zendstudio, muziekrumten, enz.	Ontvangstruimte, hotellobby, enz..	Kantoor, hotelkamer	Geluidsniveau's	3 t/m 7 dB	6 t/m 10 dB	9 t/m 13 dB
	Sterk geluidsabsorberende ruimten	Normale ruimten	Gering geluidsabsorberende ruimten										
Voorbeelden van locaties	Zendstudio, muziekrumten, enz.	Ontvangstruimte, hotellobby, enz..	Kantoor, hotelkamer										
Geluidsniveau's	3 t/m 7 dB	6 t/m 10 dB	9 t/m 13 dB										
Er verschijnt niets in het display van de draadloze afstandsbediening, het display is zwak, of de signalen worden alleen door het binnenapparaat ontvangen als de afstandsbediening dichtbij wordt gehouden.	<p>■ De batterijen zijn bijna leeg. Breng nieuwe batterijen aan en druk op reset.</p> <p>■ Indien er ook nadat nieuwe batterijen zijn geplaatst niets verschijnt, controleer dan of de batterijen in de juiste richting zijn aangebracht (+, -).</p>												
Op het binnenapparaat knippert het bedrijfslampje bij de ontvanger voor de draadloze afstandsbediening.	<p>■ De zelfdiagnose-functie is uitgevoerd om de airconditioner te beveiligen.</p> <p>■ Probeer deze apparatuur niet zelf te repareren. Zet onmiddellijk de hoofdschakelaar uit en raadpleeg uw leverancier. Geef de modelnaam aan de leverancier door.</p>												
Het binnenapparaat blaast met tussenpozen warme lucht uit terwijl de bedrijfsstand Verwarmen uit staat of als de bedrijfsstand Ventileren aan staat.	<p>■ Als er een ander binnenapparaat in de bedrijfsstand Verwarmen staat, gaat de regelklep zo nu en dan open en dicht om het airconditioningsysteem stabiel te laten werken. Dit houdt na enige tijd op. * Indien dit een ongewenste temperatuurstijging veroorzaakt, bijvoorbeeld in een kleine ruimte, schakel dan het binnenapparaat tijdelijk uit.</p>												
De instelklep gaat automatisch open en dicht. (Voor type PFFY-P-VKM-E)	<p>■ De instelklep wordt automatisch geregeld via een microcomputer, in overeenstemming met de luchtstroomtemperatuur en bedrijfstijd van de airconditioner.</p>												

### ► Regeling luchtuitlaat (type PFFY-P-VKM-E)

Bij dit apparaat wordt automatisch geregeld dat de lucht tegelijkertijd uit de bovenste en onderste luchtuitlaat komt zodat de ruimte effectief gekoeld of verwarmd wordt.

#### Beschrijving van de werking

Bedrijf	KOELEN		DROGEN	VERWARMEN		VENTILEREN
Luchtstroom						
	Bovenste en onderste luchtstroom	Bovenste luchtstroom	Alleen bovenste luchtstroom	Bovenste en onderste luchtstroom	Bovenste luchtstroom	Bovenste en onderste luchtstroom
Omstandigheden	De temperatuur van de ruimte en de ingestelde temperatuur verschillen van elkaar.		—	(Normale situatie (bij verwarmen))	Tijdens ontdooien, opstarten of thermostaat uit.	—

- Zorg ervoor dat het gedeelte rond de instelklep van de onderste luchtuitlaat vrij van voorwerpen is.

Dit apparaat is met een schakelaar op de adressenplaat zodanig in te stellen dat het alleen door de bovenste luchtuitlaat lucht blaast (vraag dit aan de leverancier).

#### Toepassingsbereik

Het bereik van de werktemperaturen voor zowel de binnen- als de buitenapparaten van de serie Y, R2, Multi-S is als hieronder wordt vermeld.

#### ⚠ Waarschuwing:

Als de airconditioner in werking is maar het vertrek niet koelt of verwarmt (afhankelijk van het model), neem dan contact op met uw dealer, omdat de apparatuur dan mogelijk koelmiddel lekt. Denk er vooral aan de servicemonteur te vragen of er al dan niet koelmiddel lekt, wanneer reparaties worden uitgevoerd.

Het koelmiddel waarmee de airconditioner is gevuld, is veilig. Het is niet normaal dat er koelmiddel lekt; maar als er binnenshuis damp van koelmiddel lekt en in contact komt met de verwarmingselementen van een ventilatorkachel, straalkachel, oven, enz., zullen schadelijke stoffen ontstaan.

## 12. Specificaties

### ■ PCFY-P-VKM-E Serie

Model		P40	P63	P100	P125
Stroomvoorziening (voltage <V>/frequentie)	<Hz>	~N 220-230-240/50, 220/60			
Capaciteit (koelen/verwarmen)	<kW>	4,5/5,0	7,1/8,0	11,2/12,5	14,0/16,0
Afmetingen (hoogte)	<mm>	230			
Afmetingen (breedte)	<mm>	960	1280	1600	
Afmetingen (diepte)	<mm>	680			
Netto gewicht	<kg>	24	32	36	38
Luchtuitstroomvermogen ventilator (laag-middel2-middel1-hoog)	<m <sup>3</sup> /min>	10-11-12-13	14-15-16-18	21-24-26-28	21-24-27-31
Geluidsniveau (laag-middel2-middel1-hoog)	<dB>	29-32-34-36	31-33-35-37	36-39-41-43	36-39-42-44

#### Opmerking

\* Bedrijfstemperatuur van binnenunit.

Koelmodus: 15°CWB - 24°CWB

Verwarmingsmodus: 15°CDB - 27°CDB

\*1 De capaciteit voor koelen/verwarmen geeft de maximale waarde bij gebruik onder de volgende omstandigheden.

Koelen: binnen 27 °C DB (dry ball)/19 °C WB (wet ball), buiten: 35 °C DB

Verwarmen: 20 °C DB, buiten 7 °C DB/6 °C WB

### ■ PKFY-P-VBM-E Serie

### ■ PKFY-P-VHM-E Serie

Model		P15	P20	P25	P32	P40	P50	
Stroomvoorziening (voltage <V>/frequentie)	<Hz>	~N 220-230-240/50, 220/60						
Capaciteit (koelen/verwarmen)	<kW>	1,7/1,9	2,2/2,5	2,8/3,2	3,6/4,0	4,5/5,0	5,6/6,3	
Afmetingen (hoogte)	<mm>	295			295			
Afmetingen (breedte)	<mm>	815			898			
Afmetingen (diepte)	<mm>	225			249			
Netto gewicht	<kg>	10			13			
Luchtuitstroomvermogen ventilator (laag-middel2-middel1-hoog)	<m <sup>3</sup> /min>	4,9-5,0-5,2-5,3	4,9-5,2-5,6-5,9		9-10-11	9-10,5-11,5	9-10,5-12	
Geluidsniveau (laag-middel2-middel1-hoog)	<dB>	29-31-32-33	29-31-34-36		34-37-41	34-38-41	34-39-43	

#### Opmerking

\* Bedrijfstemperatuur van binnenunit.

Koelmodus: 15°CWB - 24°CWB

Verwarmingsmodus: 15°CDB - 27°CDB

\*1 De capaciteit voor koelen/verwarmen geeft de maximale waarde bij gebruik onder de volgende omstandigheden.

Koelen: binnen 27 °C DB (dry ball)/19 °C WB (wet ball), buiten: 35 °C DB

Verwarmen: 20 °C DB, buiten 7 °C DB/6 °C WB

### ■ PMFY-P-VBM-E Serie

Model		P20	P25	P32	P40
Stroomvoorziening (voltage <V>/frequentie)	<Hz>	~N 220-230-240/50, 220/60			
Capaciteit (koelen/verwarmen)	<kW>	2,2/2,5	2,8/3,2	3,6/4,0	4,5/5,0
Afmetingen (hoogte)	<mm>	230 (30)			
Afmetingen (breedte)	<mm>	854 (1000)			
Afmetingen (diepte)	<mm>	395 (470)			
Netto gewicht	<kg>	14 (3,0)			
Luchtuitstroomvermogen ventilator (laag-middel2-middel1-hoog)	<m <sup>3</sup> /min>	6,5-7,2-8,0-8,6	7,3-8,0-8,6-9,3		7,7-8,7-9,7-10,7
Geluidsniveau (laag-middel2-middel1-hoog)	<dB>	27-30-33-36	32-34-36-37		33-35-37-39

#### Opmerking

\* Bedrijfstemperatuur van binnenunit.

Koelmodus: 15°CWB - 24°CWB

Verwarmingsmodus: 15°CDB - 27°CDB

\*1 De capaciteit voor koelen/verwarmen geeft de maximale waarde bij gebruik onder de volgende omstandigheden.

Koelen: binnen 27 °C DB (dry ball)/19 °C WB (wet ball), buiten: 35 °C DB

Verwarmen: 20 °C DB, buiten 7 °C DB/6 °C WB

\*2 De waarde tussen haakjes ( ) is de waarde van het bedieningspaneel aan.

### ■ PFFY-P-VKM-E Serie

Model		P20	P25	P32	P40
Stroomvoorziening (voltage <V>/frequentie)	<Hz>	~N 220-230-240/50			
Capaciteit (koelen/verwarmen)	<kW>	2,2/2,5	2,8/3,2	3,6/4,0	4,5/5,0
Afmetingen (hoogte)	<mm>	600			
Afmetingen (breedte)	<mm>	700			
Afmetingen (diepte)	<mm>	200			
Netto gewicht	<kg>	14			
Luchtuitstroomvermogen ventilator (laag-middel2-middel1-hoog)	<m <sup>3</sup> /min>	5,9-6,8-7,6-8,7	6,1-7,0-8,0-9,1		8,0-9,0-9,5-10,7
Geluidsniveau (laag-middel2-middel1-hoog)	<dB>	27-31-34-37	28-32-35-38		35-38-42-44

#### Opmerking

\* Bedrijfstemperatuur van binnenunit.

Koelmodus: 15°CWB - 24°CWB

Verwarmingsmodus: 15°CDB - 27°CDB

\*1 De capaciteit voor koelen/verwarmen geeft de maximale waarde bij gebruik onder de volgende omstandigheden.

Koelen: binnen 27 °C DB (dry ball)/19 °C WB (wet ball), buiten: 35 °C DB

Verwarmen: 20 °C DB, buiten 7 °C DB/6 °C WB

# Contenido

1. Medidas de Seguridad.....	78	7. Otras funciones.....	87
2. Nombres de las piezas.....	79	8. Selección de función.....	88
3. Configuración de la pantalla.....	82	9. Funcionamiento de emergencia del controlador remoto inalámbrico.....	92
4. Configuración de día de la semana y hora.....	82	10. Mantenimiento y limpieza.....	92
5. Manejo.....	82	11. Localización de fallos.....	94
6. Temporizador.....	84	12. Especificaciones.....	96



Fig.1

Este símbolo es para los países de la UE solamente.

Es un símbolo conforme con el Artículo 10 y el Anexo IV de la Directiva 2002/96/CE Información para usuarios, y/o con el Artículo 20 y el Anexo II de la Directiva 2006/66/EC Información para usuarios finales.

Su producto MITSUBISHI ELECTRIC está diseñado y fabricado con materiales y componentes de alta calidad que pueden ser reciclados y/o reutilizados. Este símbolo significa que el aparato eléctrico y electrónico, las pilas, baterías y los acumuladores, al final de su ciclo de vida, se deben tirar separadamente del resto de sus residuos domésticos. Si hay un símbolo químico impreso debajo del símbolo (Fig.1), este símbolo químico significa que la pila, batería o el acumulador contienen un metal pesado con cierta concentración.

Esto se indicará de la forma siguiente: Hg: mercurio (0,0005%), Cd: cadmio (0,002%), Pb: plomo (0,004%)

En la Unión Europea existen sistemas de recogida específicos para productos eléctricos y electrónicos, pilas, baterías y acumuladores usados. Por favor, deposite los aparatos mencionados, las pilas, baterías y acumuladores en el centro de recogida/reciclado de residuos de su lugar de residencia local cuando quiera tirarlos. ¡Ayúdenos a conservar el medio ambiente!

## Nota:

En este manual de operación, la frase "Controlador remoto cableado" se refiere a PAR-21MAA.

Si necesita más información sobre el otro controlador remoto, consulte el manual de instrucciones incluido en esta caja.

## 1. Medidas de Seguridad

- ▶ Antes de instalar la unidad, asegúrese de haber leído el capítulo de "Medidas de seguridad".
- ▶ Las "Medidas de seguridad" señalan aspectos muy importantes sobre seguridad. Es importante que se cumplan todos.
- ▶ Antes de conectar el sistema, informe al servicio de suministro o pídales permiso para efectuar la conexión.

### Símbolos utilizados en el texto

#### ⚠ Atención:

Describe precauciones que deben tenerse en cuenta para evitar el riesgo de lesiones o muerte del usuario.

#### ⚠ Cuidado:

Describe las precauciones que se deben tener para evitar daños en la unidad.

### Símbolos utilizados en las ilustraciones

⚡: Indica una pieza que debe estar conectada a tierra.

#### ⚠ Atención

- Estos aparatos no son accesibles al gran público.
- La unidad no debe ser instalada por el usuario. Pida a su distribuidor o a una empresa debidamente autorizada que se lo instale. La incorrecta instalación de la unidad puede dar lugar a goteo de agua, descarga eléctrica o fuego.
- No se suba encima ni coloque objetos sobre la unidad.
- No vierta agua sobre la unidad ni la toque con las manos húmedas. Puede producirse una descarga eléctrica.
- No rocíe gases combustibles en las proximidades de la unidad. Puede haber riesgo de incendio.
- No coloque calentadores de gas o cualquier otro aparato de llama abierta expuestos a la corriente de aire descargada por la unidad. Puede dar lugar a una combustión incompleta.
- No extraiga el panel frontal del ventilador de la unidad exterior mientras esté en funcionamiento.
- No intente reparar la unidad ni la cambie de lugar usted mismo.
- Cuando note ruidos o vibraciones que no sean normales, pare la unidad, desconecte la fuente de alimentación y póngase en contacto con su proveedor.
- No inserte nunca dedos, palos, etc. en las tomas o salidas de aire.
- Si detecta olores raros pare la unidad, desconecte el interruptor de red y consulte con su distribuidor. De lo contrario puede haber una rotura, una descarga eléctrica o fuego.

#### ⚠ Cuidado:

- No utilice objetos puntiagudos para apretar los botones ya que podría dañarse el controlador remoto.
- No bloquee ni cubra nunca las tomas y salidas de las unidades interior y exterior.
- No limpie el controlador remoto con gasolina, trapos químicos, etc.
- No utilice la unidad durante mucho rato en ambientes húmedos, p.ej. con una puerta o ventana abierta. Si la unidad funciona en modo de enfriamiento en un lugar con mucha humedad (80% o más) durante mucho rato, la condensación del acondicionador de aire podría caer y mojar o dañar los muebles, etc.

- Este aparato de aire acondicionado NO debe ser utilizado por niños ni por personas inválidas sin el control de una persona adulta.
- Los niños pequeños deben estar vigilados por personas adultas para impedir que jueguen con el equipo de aire acondicionado.
- Si se producen fugas de gas refrigerante, pare la unidad, ventile bien la habitación y avise a su proveedor.
- El uso de este aparato no está destinado a aquellas personas (niños incluidos) con capacidades físicas, sensoriales o mentales reducidas, o bien carencia de experiencia y conocimientos, salvo que hayan sido supervisados o instruidos acerca del uso del aparato por parte de una persona que se haga responsable de su seguridad.
- Cuando instale, mueva o revise el equipo de aire acondicionado, utilice solo el refrigerante indicado (R410A) para cargar los tubos del refrigerante. No lo mezcle con otro tipo de refrigerante y vacíe completamente de aire los tubos.  
Si el aire se mezcla con el refrigerante, podría producir una tensión anormalmente alta en el tubo del refrigerante y ocasionar una explosión u otros peligros. Usar un refrigerante distinto al indicado para el sistema provocará un fallo mecánico, un funcionamiento defectuoso del sistema o la avería de la unidad. En el peor de los casos, podría suponer un grave impedimento para garantizar la seguridad del producto.

- No toque el deflector de la salida de aire superior ni la compuerta de la salida de aire inferior durante el funcionamiento. De lo contrario podría caer la condensación y la unidad podría detenerse.

### Eliminación de la unidad

Cuando deba eliminar la unidad, consulte con su distribuidor.

## 2. Nombres de las piezas

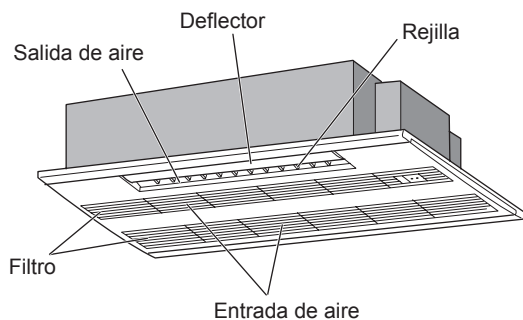
### ■ Unidad interior

		PKFY-P-VBM-E	PKFY-P-VHM-E	PCFY-P-VKM-E	PMFY-P-VBM-E	PFFY-P-VKM-E(2)
Velocidad del ventilador		4 velocidades	3 velocidades + Auto*	4 velocidades + Auto*	4 velocidades	4 velocidades
Deflector	Pasos	4 pasos	5 pasos	5 pasos	4 pasos	4 pasos
	Oscilación automática	×	○	○	○	○
Rejilla		Manual	Manual	Manual	Manual	Manual
Filtro		Normal	Normal	Larga duración	Normal	Normal
Indicación de limpieza de filtro		100 horas	100 horas	2,500 horas	100 horas	100 horas

\* Esta operación está únicamente disponible utilizando el controlador remoto, con el que se podrá poner la velocidad del ventilador en la opción "Auto".

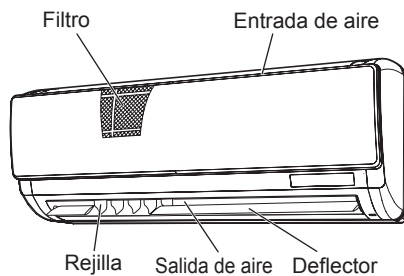
### ■ PMFY-P-VBM-E

Modelo empotrado en techo de 1 direcciones



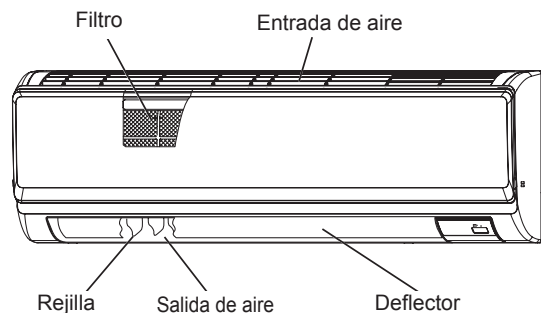
### ■ PKFY-P-VBM-E

Modelo montado en pared



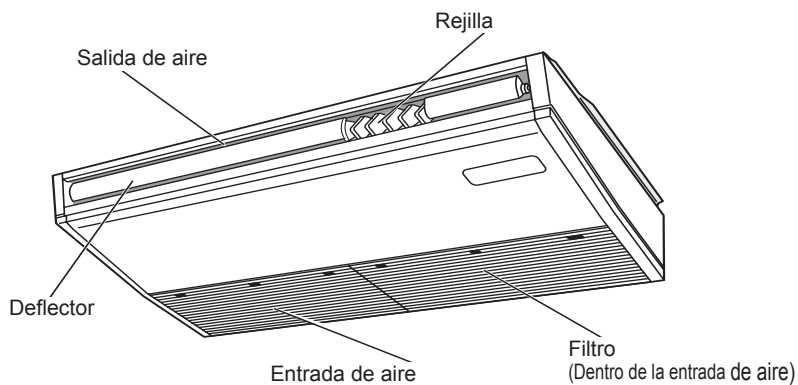
### ■ PKFY-P-VHM-E

Modelo montado en pared



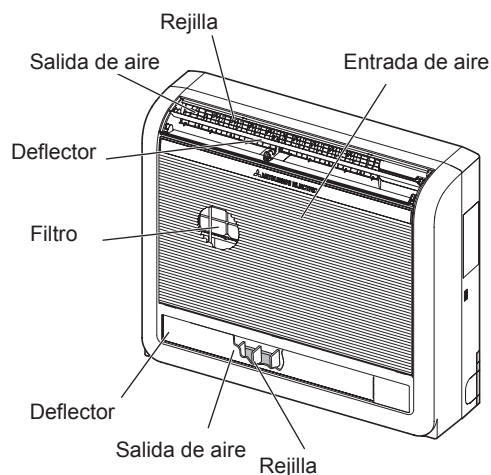
### ■ PCFY-P-VKM-E

Modelo montado en techo



### ■ PFFY-P-VKM-E(2)

Modelo de montaje en el suelo



## 2. Nombres de las piezas

### ■ Para controlador remoto cableado

#### Sección de pantalla

Por cuestiones de claridad, se muestran todos los componentes de la pantalla. Durante el funcionamiento real, solo se ven los elementos relevantes.

#### Identifica el funcionamiento actual.

Muestra el modo de funcionamiento, etc.  
\* Admite visualización en múltiples idiomas.

#### Indicador "Centrally Controlled"

Indica que el mando principal ha desactivado el funcionamiento del mando a distancia.

#### Indicador "Timer Is Off"

Indica que el temporizador está desactivado.

#### Configuración de temperatura

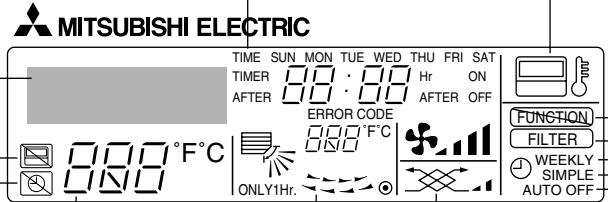
Muestra la temperatura objetivo.

#### Día de la semana

Muestra el día de la semana actual.

#### Pantalla Time/Timer

Muestra la hora actual, a menos que se haya configurado el temporizador simple o de apagado automático, en cuyo caso, muestra el tiempo restante.



#### Indicador "Sensor"

Aparece cuando se utiliza el sensor del mando a distancia.

#### Indicador "Locked"

Indica que se han bloqueado los botones del mando a distancia.

#### Indicador "Clean The Filter"

Se enciende cuando debe limpiarse el filtro.

#### Indicadores del temporizador

El indicador se enciende si se ha configurado el temporizador correspondiente.

#### Indicador de velocidad del ventilador

Muestra la velocidad del ventilador seleccionada.

#### Indicador de ventilación

Aparece cuando la unidad funciona en modo Ventilación.

#### Indicador de dirección de aire Arriba/Abajo

El indicador muestra la dirección de circulación del aire de salida.

#### Indicador "One Hour Only"

Aparece cuando la circulación del aire se ha fijado en débil o hacia abajo durante el modo COOL o DRY. (El funcionamiento varía según el modelo). El indicador se apaga después de una hora, momento en que cambia también la dirección de circulación del aire.

#### Pantalla de temperatura ambiente

Muestra la temperatura ambiente. El rango de temperatura ambiente que muestra la pantalla va de 8 a 39 °C. La pantalla parpadea si la temperatura no llega a 8 °C o supera los 39 °C.

#### Pantalla de rejilla

Indica la acción de la rejilla basculante. No aparece si la rejilla se encuentra fija.

#### ● (Indicador Power On)

Indica que está encendido.

#### Sección de control

##### Botones Set Temperature

- Down (Abajo)
- Up (Arriba)

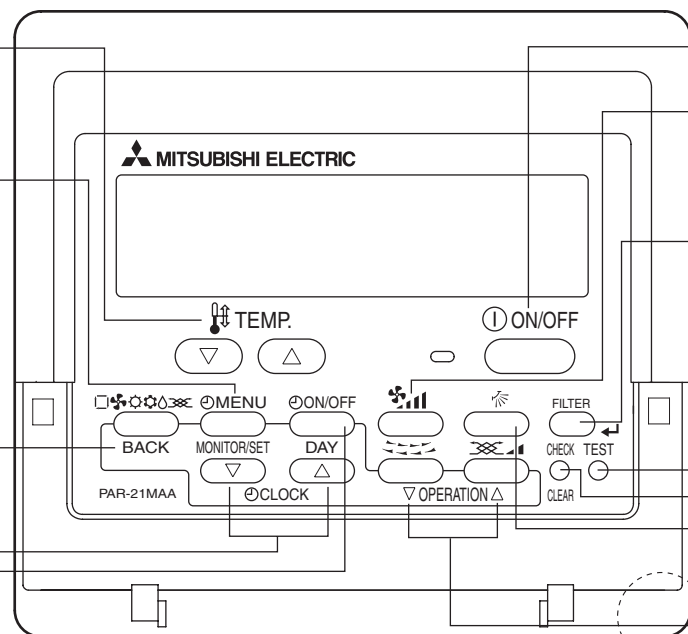
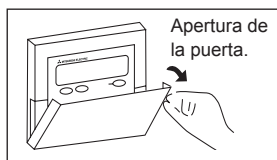
##### Botón Timer Menu (botón Monitor/Set)

##### Botón Mode (botón Return)

##### Botones Set Time

- Back (Atrás)
- Ahead (Adelante)

##### Botón Timer On/Off (botón Set Day)



##### Botón ON/OFF

##### Botón Fan Speed

##### Botón Filter (Botón ←)

##### Botón Test Run

##### Botón Check (botón Clear)

##### Botón Airflow Up/Down

##### Botón Louver (Botón ∇ Operation)

- Al número de funcionamiento anterior.

##### Botón Ventilation (botón ∆ Operation)

- Al número de funcionamiento posterior.

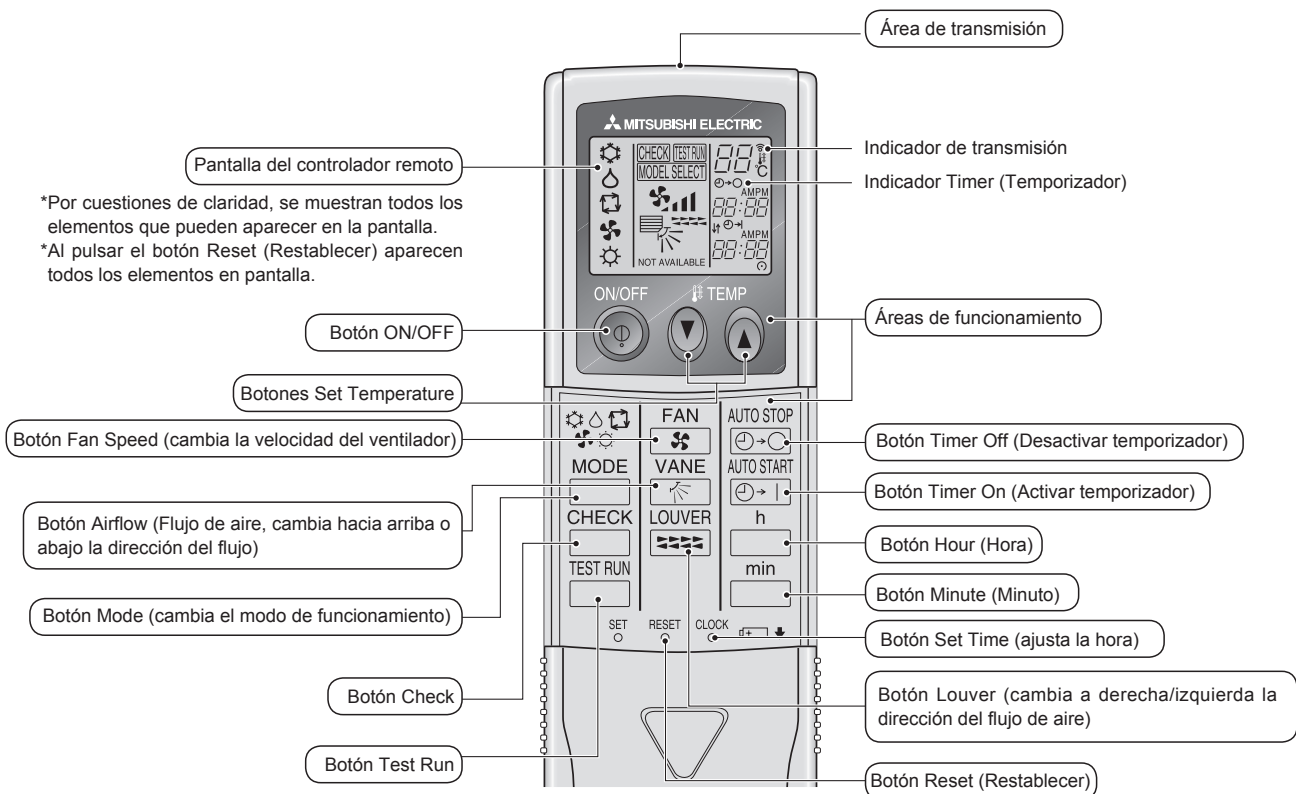
Sensor de temperatura integrado

- Nota:**
- Mensaje "PLEASE WAIT" (POR FAVOR, ESPERE)  
Este mensaje aparece durante aprox. 3 minutos cuando la unidad interior recibe alimentación o cuando la unidad se está recuperando de una caída de tensión.
  - Pantalla del modo de funcionamiento parpadeando  
Cuando varias unidades interiores están conectadas a una única unidad exterior y en una de dichas unidades interiores está seleccionado un modo de funcionamiento distinto al de otra, la pantalla del modo de funcionamiento parpadea. Seleccione el mismo modo de funcionamiento en ambas unidades.
  - Mensaje "NOT AVAILABLE" (NO DISPONIBLE)  
Este mensaje aparece si se pulsa un botón para activar una función que la unidad interior no presenta. Cuando se utiliza el mismo controlador remoto para varias unidades interiores, este mensaje aparece si la unidad interior principal no está equipada con la función seleccionada.
  - Pantalla de temperatura ambiente  
Existe la posibilidad de seleccionar los sensores de temperatura de la unidad interior o del controlador remoto para medir la temperatura ambiente. Por defecto están seleccionados los sensores de temperatura de la unidad interior. Si éstos se seleccionan para medir la temperatura ambiente, la temperatura ambiente medida en la unidad interior principal aparece en el controlador remoto que controla varias unidades interiores.



## 2. Nombres de las piezas

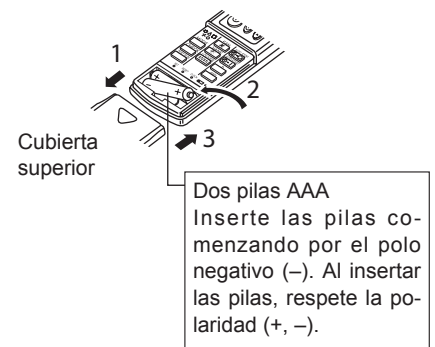
### ■ Para controlador remoto inalámbrico



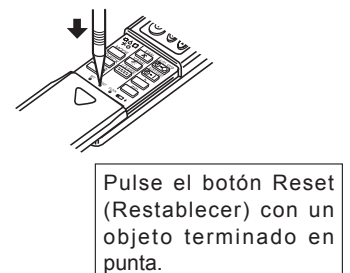
- Cuando utilice el controlador remoto inalámbrico, apunte hacia el receptor de la unidad interior.
- Si el controlador remoto se utiliza unos dos minutos después de encender la unidad interior, esta puede pitar dos veces, ya que estará realizando la comprobación automática inicial.
- La unidad interior pitará para confirmar que ha recibido la señal transmitida desde el controlador remoto. La unidad interior puede recibir señales emitidas a un máximo de 7 metros en línea recta en un rango de 45° a derecha e izquierda de la unidad. Sin embargo, ciertos sistemas de iluminación, con fluorescentes o luces fuertes, pueden afectar a la capacidad de recepción de señal de la unidad interior.
- Si la luz de funcionamiento situada cerca del receptor de la unidad interior parpadea, será necesario inspeccionar la unidad. Para el servicio técnico, consulte a su distribuidor.
- Trate el controlador remoto con cuidado. Procure que no se le caiga ni sufra golpes. Además, no lo moje ni lo deje en un lugar con un alto grado de humedad.
- Para impedir que el controlador remoto se pierda, instale el soporte incluido con el controlador remoto en una pared y asegúrese de colocar el mando en su soporte tras su uso.

### Instalación/sustitución de pilas

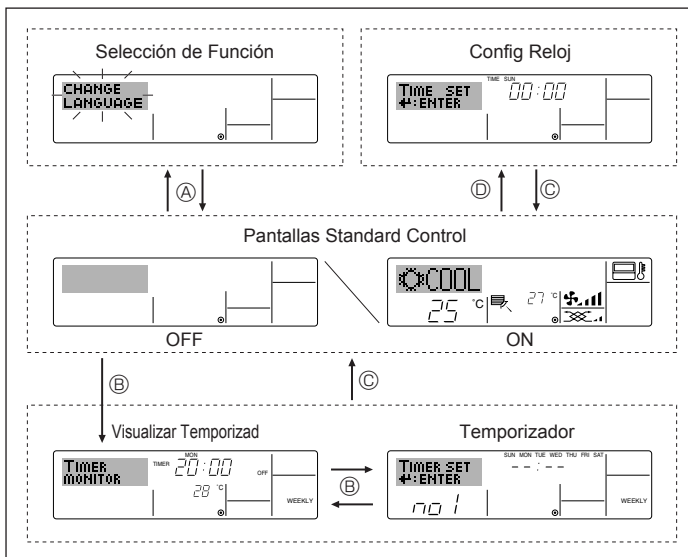
1. Retire la cubierta superior, inserte dos pilas AAA y vuelva a colocar la cubierta.



2. Pulse el botón Reset (Restablecer).



### 3. Configuración de la pantalla



#### <Tipos de pantallas>

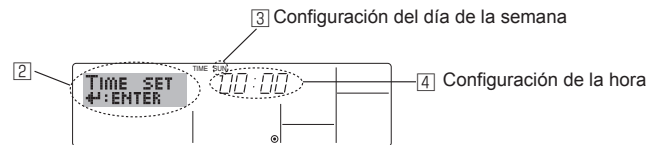
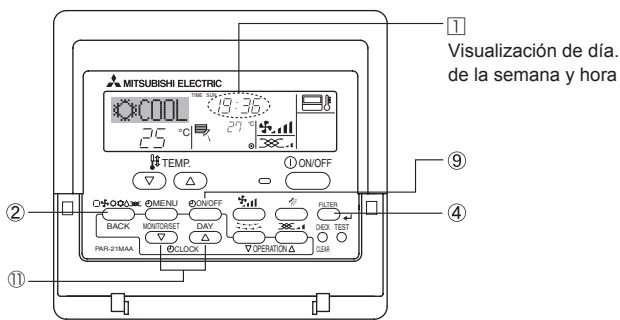
El ajuste de idioma de la pantalla se puede cambiar a español utilizando la selección de función del controlador remoto. Consulte la sección 8, punto [4]-1 para cambiar el ajuste de idioma. El ajuste inicial es inglés.

- Selección de Función: configure las funciones y rangos disponibles para el mando a distancia (funciones de temporizador, restricciones de funcionamiento, etc.).
- Config Reloj: configure el día de la semana u hora actual.
- Pantallas Standard Control: visualice y configure el estado de funcionamiento del sistema de acondicionamiento de aire.
- Visualizar Temporizador: visualice el temporizador configurado actualmente (semanal, temporizador simple o apagado automático).
- Temporizador: configure el funcionamiento de cualquiera de los temporizadores (semanal, simple o apagado automático).

#### <Cómo cambiar la pantalla>

Para dirigirse a ①: mantenga pulsado el botón Mode y el botón Timer On/Off durante 2 segundos.  
 Para dirigirse a ②: presione el botón Timer Menu.  
 Para dirigirse a ③: presione el botón Mode (Return).  
 Para dirigirse a ④: presione cualquiera de los botones Set Time (∇ o △).

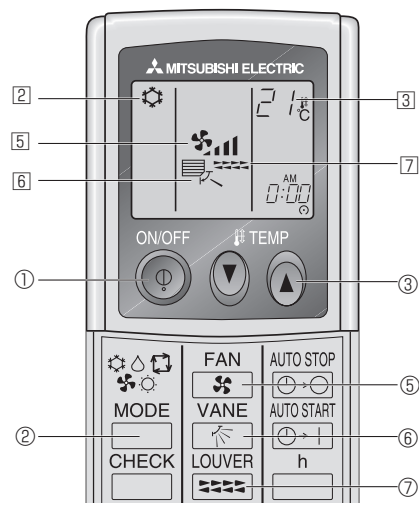
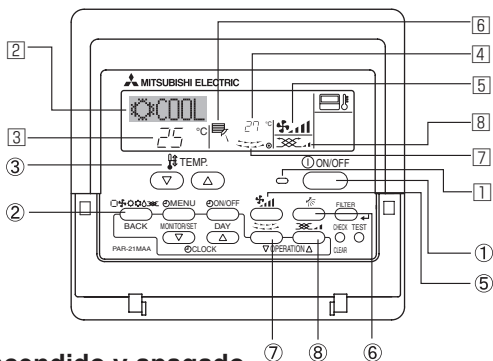
### 4. Configuración de día de la semana y hora



1. Pulse ∇ o △ del botón Set Time ① para que muestre el indicador ②.
2. Pulse el botón Timer On/Off (Set Day) ⑨ para fijar el día.
  - \* Cada pulsación avanza el día que se muestra en ③: Sun → Mon → ... → Fri → Sat.
3. Pulse el botón Set Time apropiado ① según sea necesario para configurar la hora.
  - \* Mientras mantiene pulsado el botón, la hora (en ④) avanzará primero en intervalos de un minuto, luego en intervalos de diez minutos y después en intervalos de una hora.
4. Después de realizar las configuraciones apropiadas en los Pasos 2 y 3, pulse el botón Filter ④ para fijar los valores.

**Nota:**  
 El día y la hora no aparecerán si se ha desactivado la utilización del reloj en la Selección de Función.

### 5. Manejo



#### 5.1. Encendido y apagado

##### <Para poner en marcha>

- Pulse el botón ON/OFF ①.
  - Se encienden la lámpara de encendido ② y la pantalla.

**Nota:**  
 ● Cuando se reinicia la unidad, las configuraciones iniciales son las siguientes.

	Configuraciones del Mando a distancia	
Modo	Último valor configurado	
Configuración de la temperatura	Último valor configurado	
Velocidad del ventilador	Último valor configurado	
Circulación del aire hacia Arriba/Abajo	Modo	COOL o DRY Salida horiz. *1
		HEAT Último valor configurado *2
		FAN Salida horiz. *1

\*1 Es posible que se aplique el último ajuste en función de la unidad interior.  
 \*2 En caso de que la última configuración sea oscilante, el flujo del aire puede ser descendente 4 dependiendo del tipo de la unidad interior.

##### <Para detener el funcionamiento>

- Pulse de nuevo el botón ON/OFF ①.
  - Se oscurecen la lámpara de encendido ② y la pantalla.

**Nota:**  
 Aunque pulse una vez más el botón de encendido ON/OFF inmediatamente después de apagar el aparato, el acondicionador de aire no se pondrá en marcha hasta pasados tres minutos. Esto tiene como fin evitar daños en los componentes internos.

# 5. Manejo

## 5.2. Selección de modo

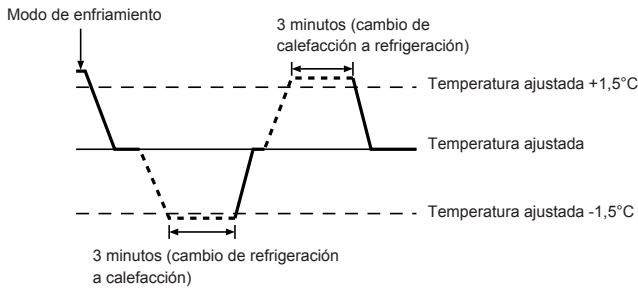
■ Pulse el botón de modos de funcionamiento (☐❄️🌀🔥) ② y seleccione el modo de funcionamiento ③.

- ❄️ Modo de enfriamiento
- 💧 Modo secado
- 🌀 Modo de ventilador
- 🔥 Modo de calefacción
- ☐ Modo automático (enfriamiento/calefacción)

### Funcionamiento automático

■ De acuerdo con la temperatura ajustada, el funcionamiento de refrigeración comenzará si la temperatura de la sala es demasiado alta. El modo de calefacción comenzará si la temperatura de la sala es demasiado baja.

■ Durante el funcionamiento automático, si la temperatura de la sala cambia y permanece 1,5 °C o más por encima de la temperatura ajustada durante 3 minutos, el acondicionador de aire cambiará a modo de refrigeración. Asimismo, si la temperatura permanece 1,5 °C o más por debajo de la temperatura ajustada durante 3 minutos, el acondicionador de aire cambiará a modo de calefacción.



■ Como la temperatura ambiente se ajusta automáticamente para mantener una temperatura efectiva fija, el modo de refrigeración se activa un par de grados por encima de la temperatura ajustada (y el modo de calefacción, un par de grados por debajo) una vez alcanzada dicha temperatura (modo automático de ahorro de energía).

## 5.3. Ajuste de la temperatura

### ▶ Para disminuir la temperatura de la habitación:

Pulse el botón ③ para fijar la temperatura deseada. En el visor aparecerá la temperatura seleccionada ③.

### ▶ Para aumentar la temperatura de la habitación:

Pulse el botón ③ para fijar la temperatura deseada. En el visor aparecerá la temperatura seleccionada ③.

- Las gamas de ajuste de temperaturas disponibles son las siguientes:  
 Enfriamiento y secado: 19 - 30 °C  
 Calefacción: 17 - 28 °C  
 Automático: 19 - 28 °C

• La pantalla parpadea 8 °C - 39 °C para informar si la temperatura de la habitación es inferior o superior a la que se visualiza.

## 5.4. Ajuste de la velocidad del ventilador

■ Pulse el botón Fan Speed ⑤ tantas veces como sea necesario con el sistema en funcionamiento.

- Cada pulsación cambia la potencia. La velocidad seleccionada actualmente se muestra en ⑤.
- La secuencia de cambio y las configuraciones disponibles son las siguientes.

Velocidad del ventilador	Pantalla
4 velocidades + Auto*	Velocidad 1 → Velocidad 2 → Velocidad 3 → Velocidad 4 → Auto
3 velocidades + Auto*	Velocidad 1 → Velocidad 2 → Velocidad 3 → Auto
Modelo de 4 velocidades	Velocidad 1 → Velocidad 2 → Velocidad 3 → Velocidad 4

\* Sólo para el controlador remoto MA. Se necesita poner la velocidad del ventilador en automático para poder utilizar el controlador remoto inalámbrico.

### Nota:

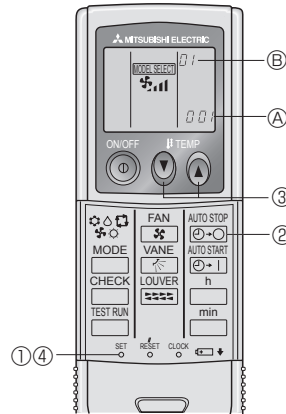
- El número de velocidades del ventilador disponibles depende del tipo de unidad conectada. Recuerde, además, que algunas unidades no ofrecen ajuste "Auto".
- En los siguientes casos, la velocidad real del ventilador generada por la unidad diferirá de la velocidad mostrada en la pantalla del mando a distancia.
  1. Mientras la pantalla muestra "STAND BY" (CALENTANDO) o "DEFROST" (DESCONGELACIÓN).
  2. Cuando la temperatura del intercambiador de calor es baja en modo de calefacción (por ejemplo, inmediatamente después de que se active el modo de calefacción).
  3. En modo HEAT, cuando la temperatura ambiente de la habitación es superior al valor de configuración de la temperatura.
  4. Cuando la unidad esté en modo DRY.

### ■ Ajuste automático de la velocidad del ventilador (controlador remoto inalámbrico)

El ajuste se ha de efectuar en el controlador remoto inalámbrico solo cuando el ventilador no está ajustado a la velocidad predeterminada.

El ajuste no se ha de efectuar en el controlador remoto cableado cuando el ventilador está ajustado a la velocidad predeterminada.

- ① Pulse el botón SET con un objeto afilado. Continúe la operación cuando se apague la pantalla del controlador remoto.
    - MODEL SELECT parpadea y se ilumina el n° de modelo ①.
  - ② Pulse el botón AUTO STOP ②.
    - FAN parpadea y se ilumina el n° de ajuste ②.
    - (ajuste n° 01: sin ventilador en velocidad automática)
  - ③ Pulse los botones TEMP ③ para poner el n° de ajuste 02. (n° ajuste 02: con ventilador en velocidad automática)
- Si se ha equivocado al efectuar la operación, pulse el botón ON/OFF ④ y vuelva a empezar desde el procedimiento ②.
- ④ Pulse el botón SET con un objeto afilado. MODEL SELECT y el n° de modelo se iluminan durante 3 segundos y a continuación se apagan.



## 5.5. Ajuste de la dirección del flujo de aire

### <Para cambiar la dirección de circulación del aire hacia Arriba/Abajo>

- Con la unidad en funcionamiento, pulse el botón Airflow Up/Down ⑥ tantas veces como sea necesario.
  - Cada pulsación cambia la dirección. La dirección actual se muestra en ⑥.
  - La secuencia de cambio y las configuraciones disponibles son las siguientes.

Flujo de aire	Pantalla
Modelo de 5 pasos*1	Oscilación Auto 1 2 3 4 5
Modelo de 4 pasos	Oscilación (Horiz.) 1 2 3 4
Modelo de 4 pasos	(Horiz.) 1 2 3 4

\* Recuerde que durante el funcionamiento oscilante (Swing), la indicación direccional en la pantalla no cambia en sincronización con los álabes direccionales en la unidad.

\* Algunos modelos no admiten configuraciones direccionales.

\*1 Únicamente para el control remoto MA, otro control remoto mostrará lo mismo que el modelo de 4 pasos.

\*2 Ajuste de la dirección del flujo de aire <Auto>

COOL/FAN/DRY : Ajuste 1 (Horizontal), HEAT : Ajuste 5 (Hacia abajo 5)

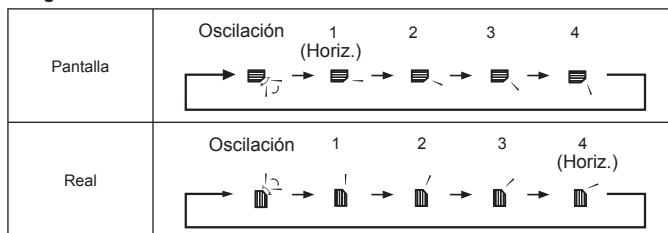
### Nota:

- Las direcciones disponibles dependen del tipo de unidad conectada. Recuerde, además, que algunas unidades no ofrecen una configuración "Auto".
- En los siguientes casos, la dirección real del aire diferirá de la dirección indicada en la pantalla del mando a distancia.
  1. Mientras la pantalla muestra "STAND BY" (CALENTANDO) o "DEFROST" (DESCONGELACIÓN).
  2. Inmediatamente después de iniciar el modo calentador (durante la espera para la realización del cambio).
  3. En modo calentador, cuando la temperatura ambiente de la sala sea superior a la configuración de la temperatura.

## 5. Manejo

(Para la serie PFFY-P-VKM)

- FoEn el caso de la serie PFFY-P-VKM, la dirección del flujo de aire que aparece en el controlador remoto es distinta de la dirección real. Consulte la siguiente tabla.



- La dirección del flujo de aire del regulador de salida inferior no se puede ajustar. La dirección del flujo de aire se controla automáticamente desde un ordenador.

<[Manual] Para cambiar la dirección del flujo del aire a la derecha o izquierda>

\* No es posible utilizar el botón de las rejillas ⑦.

- Detenga el funcionamiento de la unidad, sujete la palanca de las rejillas y ajuste la dirección deseada.

\* No se debe ajustar con la dirección hacia el interior si la unidad se encuentra en el modo de enfriamiento o secado, ya que existe el riesgo de condensación y de goteo de agua.



⚠ Cuidado:

Al realizar el procedimiento anterior, asegúrese de tomar las medidas necesarias para evitar caídas.

## 5.6. Ventilación

► Para combinación LOSSNAY

### 5.6.1. Para controlador remoto cableado

- Para hacer funcionar el renovador de aire junto con la unidad interior:
  - Pulse el botón ON/OFF ①.
    - El indicador Vent aparece en la pantalla (en ⑧). Ahora el renovador de aire funcionará automáticamente cuando funcione la unidad interior.
- Para hacer funcionar sólo el renovador de aire cuando la unidad interior no esté funcionando:
  - Pulse el botón Ventilación ⑧ mientras la unidad interior se encuentre apagada.
    - La lámpara de encendido (On) (en ①) y el indicador de Ventilación (en ⑧) se encenderán.
- Para cambiar la potencia del renovador de aire:
  - Pulse el botón Ventilación ⑧ según sea necesario.
    - Cada pulsación cambia la configuración según se muestra a continuación.



Note:

- En las configuraciones de algunos modelos, el ventilador en la unidad interior puede activarse aun cuando se configure el renovador de aire para que funcione independientemente.

## 6. Temporizador

### 6.1. Para controlador remoto cableado

Puede utilizar la Selección de Función para seleccionar cuál de los tres tipos de temporizador utilizar: ① temporizador semanal, ② temporizador simple o ③ temporizador automático.

#### 6.1.1. Temporizador semanal

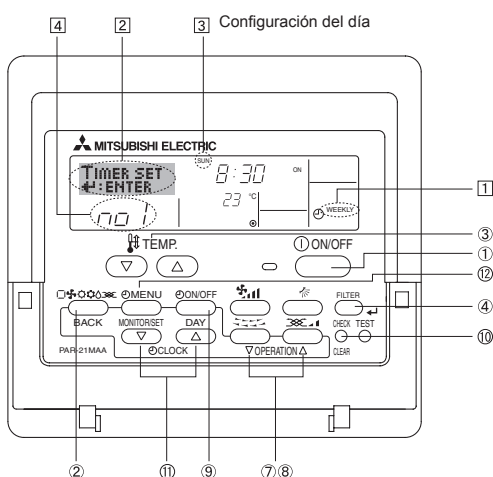
- El temporizador semanal puede utilizarse para configurar hasta ocho funciones para cada día de la semana.
  - Cada función puede consistir en cualquiera de las siguientes: hora de encendido y apagado junto a una configuración de la temperatura, sólo hora de encendido y apagado o sólo configuración de la temperatura.
  - Cuando la hora actual alcanza la hora configurada en este temporizador, el acondicionador de aire realiza la acción configurada por el temporizador.
- El tiempo necesario para la configuración de la hora para este temporizador es de 1 minuto.

Nota:

- \*1. El temporizador semanal, el temporizador simple y el temporizador automático no pueden utilizarse al mismo tiempo.
- \*2. El temporizador semanal no funcionará si se da alguna de las siguientes condiciones.

La función de temporizador está desactivada; el sistema se encuentra en un estado anómalo; hay una sesión de prueba en curso; se está llevando a cabo una autopruvba o una prueba del mando a distancia; el usuario está configurando una función; el usuario está configurando el temporizador; el usuario está configurando el día actual de la semana o la hora; el sistema se encuentra bajo el control central. En concreto, el sistema no llevará a cabo operaciones (encendido o apagado de la unidad, configuración de la temperatura) que estén desactivadas cuando se produzcan estas condiciones.

Nº de Funcionamiento.



<Cómo configurar el temporizador semanal>

1. Asegúrese de que se encuentra en la pantalla de control estándar y de que el indicador del temporizador semanal ① se muestra en la pantalla.
2. Pulse el botón Timer Menu ②, de modo que aparezca en la pantalla "Set Up" (en ②). (Recuerde que cada pulsación del botón cambia la pantalla entre "Set Up" y "Monitor").
3. Pulse el botón Timer On/Off (Set Day) ③ para configurar el día. Cada pulsación avanza la pantalla ④ a la próxima configuración en la secuencia que se indica a continuación: "Sun Mon Tues Wed Thurs Fri Sat" → "Sun" → ... (Domingo Lunes Martes Miércoles Jueves Viernes Sábado → Domingo) → "Fri" → "Sat" → "Sun Mon Tues Wed Thurs Fri Sat"... (Viernes → Sábado → Domingo Lunes Martes Miércoles Jueves Viernes Sábado).
4. Pulse el botón ∇ o ∆ Operation (⑦ o ⑧) según sea necesario para seleccionar el número de operación apropiado (1 a 8) ④.
  - \* La información introducida en los Pasos 3 y 4 seleccionará una de las celdas de la matriz ilustrada a continuación. (La pantalla del mando a distancia en la izquierda muestra cómo se mostraría la pantalla cuando se configura Operación 1 para el domingo con los valores indicados a continuación).

#### Matriz de configuración

Nº de op.	Sunday	Monday	...	Saturday
No. 1	• 8:30 • ON • 23 °C			
No. 2	• 10:00 • OFF	• 10:00 • OFF	• 10:00 • OFF	• 10:00 • OFF
...				
No. 8				

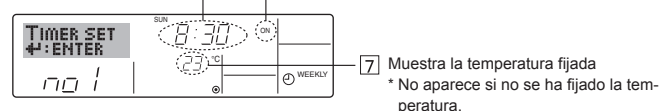
<Valores de Operación 1 para el domingo>  
Iniciar el funcionamiento del acondicionador de aire a las 8:30, con la temperatura fijada en 23 °C.

<Valores de Operación 2 para todos los días>  
Apagar el acondicionador de aire a las 10:00.

Nota:

Configurando el día a "Sun Mon Tues Wed Thurs Fri Sat", puede configurar la misma operación a la misma hora todos los días. (Por ejemplo: la Operación 2 arriba mencionada es la misma para todos los días de la semana).

Muestra la configuración ⑤ ⑥ Muestra la operación seleccionada (encendido o apagado) de la hora  
\* No aparece si no se ha configurado la operación.





## 6. Temporizador

### <Configuración del temporizador semanal>

- Pulse el botón Set Time apropiado ① según sea necesario para fijar la hora deseada (en ⑤).
  - \* Durante su pulsación, la hora avanza primero en intervalos de un minuto, luego en intervalos de diez minutos y finalmente en intervalos de una hora.
- Pulse el botón ON/OFF ① para seleccionar la operación deseada (encendido o apagado), en ⑥.
  - \* Cada pulsación cambia al siguiente valor en la secuencia que se indica a continuación: sin indicación (sin configuración) → "ON" → "OFF".
- Pulse el botón Set Temperature apropiado ③ para fijar la temperatura deseada (en ⑦).
  - \* Cada pulsación cambia la configuración en la secuencia que se indica a continuación: sin indicación (sin configuración) ↔ 24 ↔ 25 ↔ ... ↔ 29 ↔ 30 ↔ 12 ↔ ... ↔ 23 ↔ sin indicación. (Rango disponible: el rango de configuración es de 12 °C a 30 °C. El rango real de control de temperatura, sin embargo, variará según el tipo de unidad conectada).
- Después de realizar las configuraciones apropiadas en los Pasos 5, 6 y 7, pulse el botón Filter ④ para guardar los valores.
  - Para borrar los valores actualmente configurados para la operación seleccionada, pulse y suelte rápidamente el botón Check (Clear) ⑩ una vez.
    - \* El valor de la hora mostrada cambiará a "—" y desaparecerán tanto los valores de encendido/apagado como el de temperatura. (Para borrar todas las configuraciones del temporizador semanal de una vez, mantenga pulsado el botón Check (Clear) ⑩ durante dos o más segundos. La pantalla empezará a parpadear, indicando que se han borrado todos los ajustes).

#### Nota:

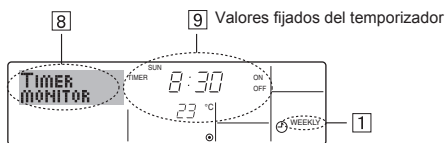
Sus datos nuevos se cancelarán si pulsa el botón Mode (Return) ② antes de pulsar el botón Filter ④. Si ha configurado dos o más operaciones diferentes para la misma hora exactamente, sólo se realizará la operación con el número más elevado.

- Repita los Pasos 3 a 8 según sea necesario para completar tantas celdas disponibles como desee.
- Pulse el botón Mode (Return) ② para regresar a la pantalla de control estándar y completar el procedimiento de configuración.
- Para activar el temporizador, pulse el botón Timer On/Off ⑨, de modo que el indicador "Timer Off" desaparezca de la pantalla.
 

**Asegúrese de que ya no se muestre el indicador "Timer Off".**

  - \* Si no hay ajustes del temporizador, el indicador "Timer Off" parpadeará en la pantalla.

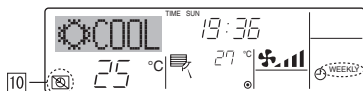
### <Cómo visualizar los valores fijados del temporizador semanal>



- Asegúrese de que se muestra en la pantalla el indicador del temporizador semanal (en ①).
- Pulse el botón Timer Menu ② de modo que se indique en la pantalla "Monitor" (en ⑧).
- Pulse el botón Timer On/Off (Set Day) ⑨ según sea necesario para seleccionar el día que desea visualizar.
- Pulse el botón Operation ∇ o △ (⑦ o ⑧) según sea necesario para cambiar el funcionamiento del temporizador mostrado en la pantalla (en ⑨).
  - \* Cada pulsación, avanzará a la próxima operación del temporizador, en el orden de configuración de la hora.
- Para cerrar el monitor y regresar a la pantalla Standard Control, pulse el botón Mode (Return) de ②.

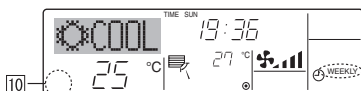
### <Para desactivar el temporizador semanal>

Pulse el botón Timer On/Off ⑨ de modo que aparezca "Timer Off" en ⑩.



### <Para activar el temporizador semanal>

Pulse el botón Timer On/Off ⑨ de modo que el indicador "Timer Off" (en ⑩) se oscurezca.



### 6.1.2. Temporizador simple

■ Puede configurar el temporizador simple de cualquiera de las tres formas siguientes.

- Sólo hora de puesta en marcha: el acondicionador de aire comenzará a funcionar cuando haya transcurrido el tiempo fijado.
- Sólo hora de parada: el acondicionador de aire se detendrá cuando haya transcurrido el tiempo fijado.
- Horas de puesta en marcha y de parada: el acondicionador de aire comienza a funcionar y se detiene cuando hayan transcurrido las horas respectivas.

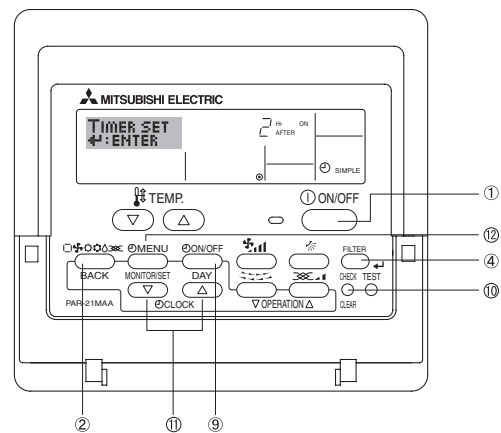
■ El temporizador simple (puesta en marcha y parada) puede configurarse sólo una vez en un periodo de 72 horas. La configuración de la hora se realiza en aumentos de una hora.

#### Nota:

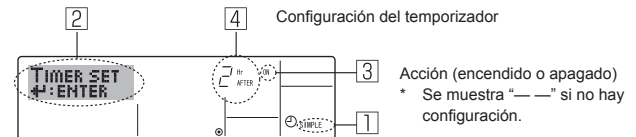
\*1. El temporizador semanal, el temporizador simple y el temporizador automático no pueden utilizarse al mismo tiempo.

\*2. El temporizador simple no funcionará si se da cualquiera de las condiciones siguientes.

El temporizador está desactivado, el sistema está en estado anómalo, está realizándose una prueba de funcionamiento, el mando a distancia está realizando una autoevaluación o diagnóstico, el usuario está seleccionando una función o configurando el temporizador, el sistema está bajo control central. (En estas condiciones, la operación de encendido y apagado está deshabilitada).



### <Cómo configurar el temporizador simple>



- Asegúrese de que se encuentra en una pantalla de control estándar y de que el indicador de temporizador simple se muestra en la pantalla (en ①). Cuando aparezca una indicación distinta de la del temporizador simple, cámbielo a SIMPLE TIMER (TEMPORIZADOR SIMPLE) utilizando la selección n de funciones del temporizador del mando a distancia (véase 8.[4]-3(3)).
- Pulse el botón Timer Menu ②, de modo que aparezca en la pantalla "Set Up" (en ②). (Recuerde que cada pulsación del botón cambia la pantalla entre "Set Up" y "Monitor").
- Pulse el botón ON/OFF ① para mostrar los valores configurados actuales de encendido o apagado del temporizador simple. Pulse el botón una vez para ver el tiempo restante hasta el encendido y luego de nuevo para ver el tiempo restante hasta el apagado. (El indicador ON/OFF aparece en ③).
  - Temporizador "ON": el acondicionador de aire comenzará a funcionar cuando haya transcurrido el número de horas especificado.
  - Temporizador "OFF": el acondicionador de aire se detendrá cuando haya transcurrido el número de horas especificado.
- Mostrando "ON" u "OFF" en ③: pulse el botón Set Time ⑩ apropiado según sea necesario para fijar las horas hasta el encendido (si se muestra "ON") o las horas hasta el apagado (si se muestra "OFF" en ④).
  - Rango disponible: 1 a 72 horas
- Para fijar las horas hasta el encendido y el apagado, repita los Pasos 3 y 4.
  - \* Recuerde que las horas de encendido y apagado no pueden fijarse en el mismo valor.
- Para borrar la configuración de encendido o apagado actual: Muestre el valor configurado de encendido o apagado (véase el paso 3) y luego pulse el botón Check (Clear) ⑩ para borrar la configuración de la hora a "—" en ④. (Si desea utilizar sólo un valor de configuración de encendido o una configuración de apagado, asegúrese de que la configuración que no desea utilizar se muestra como "—").



## 6. Temporizador

7. Después de completar los Pasos 3 y 6 arriba mencionados, pulse el botón  $\leftarrow$  Filter ④ para fijar el valor.

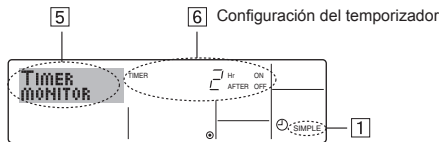
**Nota:**

Sus configuraciones nuevas se cancelarán si pulsa el botón Mode (Return) ② antes de pulsar el botón  $\leftarrow$  Filter ④.

8. Pulse el botón Mode (Return) ② para regresar a la pantalla de control estándar.

9. Pulse el botón Timer On/Off ⑨ para iniciar la cuenta atrás del temporizador. Cuando el temporizador está funcionando, su valor es visible en la pantalla. **Asegúrese de que el valor del temporizador sea visible y apropiado.**

<Visualización de las configuraciones actuales del temporizador simple>



1. Asegúrese de que el indicador del temporizador simple está visible en la pantalla (en ①).

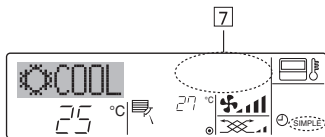
2. Pulse el botón Timer Menu ②, para que aparezca "Monitor" en la pantalla (en ⑤).

- Si el temporizador simple de encendido o apagado está funcionando, su valor actual aparecerá en ⑥.
- Si se han fijado ambos valores, encendido y apagado, aparecen alternativamente ambos valores.

3. Pulse el botón Mode (Return) ② para cerrar la pantalla del monitor y regresar a la pantalla de control estándar.

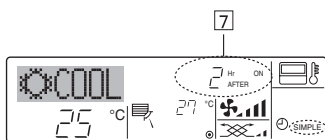
<Para desactivar el temporizador simple>

Pulse el botón Timer On/Off ⑨ para que la configuración del temporizador ya no aparezca en la pantalla (en ⑦).



<Para iniciar el temporizador simple>

Pulse el botón Timer On/Off ⑨ para que la configuración del temporizador sea visible en ⑦.



### Ejemplos

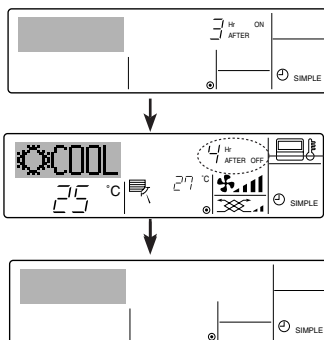
Si se han configurado las horas de encendido y apagado en el temporizador simple, el funcionamiento y la pantalla son según se indica a continuación.

**Ejemplo 1:**

Inicie el temporizador con la hora de encendido fijada más temprano que la de apagado.

Configuración de encendido: 3 horas

Configuración de apagado: 7 horas



Al inicio del temporizador

La pantalla muestra la configuración de encendido del temporizador (las horas restantes para llegar al encendido).

3 horas después del inicio del temporizador

La pantalla cambia para mostrar el valor de apagado del temporizador (las horas restantes para el apagado).

La hora mostrada es el valor configurado de apagado (7 horas) "- el valor" configurado de encendido (3 horas) = 4 horas.

7 horas después del inicio del temporizador

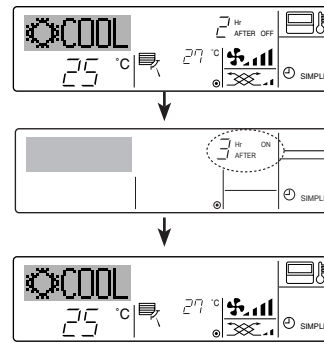
El acondicionador de aire se desactiva y permanece así hasta que alguien lo reinicie.

**Ejemplo 2:**

Inicie el temporizador con la hora de apagado fijada más temprano que la de encendido.

Configuración de encendido: 5 horas

Configuración de apagado: 2 horas



Al inicio del temporizador

La pantalla muestra el valor de apagado del temporizador (las horas restantes para el apagado).

3 horas después del inicio del temporizador

La pantalla cambia para mostrar el valor de encendido del temporizador (las horas restantes para el encendido).

La hora indicada es el valor configurado de encendido (5 horas) "- el valor" configurado de apagado (2 horas) = 3 horas.

5 horas después del inicio del temporizador

El acondicionador de aire se activa y continúa funcionando hasta que alguien lo apague.

### 6.1.3. Temporizador de apagado automático

■ Este temporizador comienza la cuenta atrás cuando el acondicionador de aire comienza a funcionar y apaga el acondicionador cuando haya transcurrido el tiempo fijado.

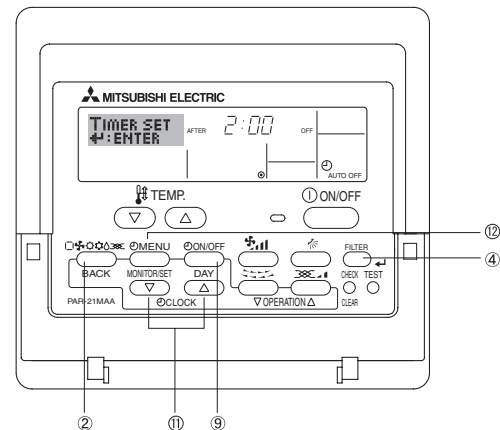
■ Los valores disponibles abarcan desde 30 minutos a 4 horas, en intervalos de 30 minutos.

**Nota:**

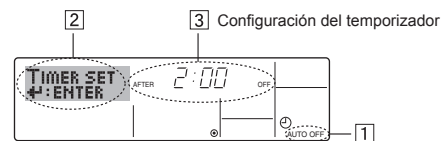
\*1. El temporizador semanal, el temporizador simple y el temporizador automático no pueden utilizarse al mismo tiempo.

\*2. El temporizador Auto Off no funcionará si se dan cualquiera de las siguientes condiciones.

El temporizador está desactivado, el sistema está en estado anómalo, está realizándose una prueba de funcionamiento, el mando a distancia está realizando una autoevaluación o diagnóstico, el usuario está seleccionando una función o configurando el temporizador, el sistema está bajo control central. (En estas condiciones, la operación de encendido y apagado está deshabilitada).



<Cómo configurar el temporizador de apagado automático>



1. Asegúrese de que usted se encuentre en una pantalla de control estándar y que el indicador del temporizador de apagado automático Auto Off se muestre en la pantalla (en ①).

Cuando aparezca una indicación distinta de la del temporizador de apagado automático, cámbielo a AUTO OFF TIMER (TEMPORIZADOR DE APAGADO AUTOMÁTICO) utilizando la selección de funciones de la configuración de funciones del temporizador del mando a distancia (véase 8.[4]-3 (3)).

2. Mantenga pulsado el botón Timer Menu ② durante 3 segundos, para que aparezca "Set Up" en la pantalla (en ②). (Recuerde que cada pulsación del botón cambia la pantalla entre "Set Up" y "Monitor").

3. Pulse el botón Set Time apropiado ① según sea necesario para configurar la hora de apagado (en ③).

4. Pulse el botón  $\leftarrow$  Filter ④ para fijar la configuración.

**Nota:**

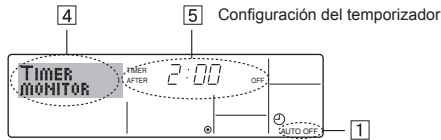
Los datos introducidos se cancelarán si pulsa el botón Mode (Return) ② antes de pulsar el botón  $\leftarrow$  Filter ④.

5. Pulse el botón Mode (Return) ② para completar el procedimiento de configuración y regresar a la pantalla de control estándar.

6. Si el acondicionador de aire ya está funcionando, el temporizador comienza inmediatamente la cuenta atrás. **Asegúrese de comprobar que el valor fijado del temporizador aparece correctamente en la pantalla.**

## 6. Temporizador

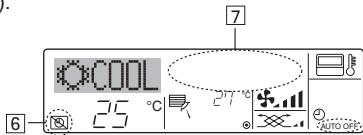
### <Comprobación de la configuración actual del temporizador de apagado automático>



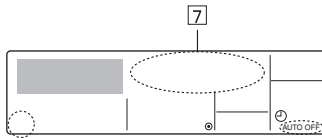
1. Asegúrese de que "Auto Off" esté visible en la pantalla (en 1).
2. Mantenga pulsado el botón Timer Menu (2) durante **3 segundos**, para que se indique en la pantalla "Monitor" (en 4).
  - El tiempo restante para el apagado aparece en 5.
3. Para cerrar el monitor y regresar a la pantalla Standard Control, pulse el botón Mode (Return) de 2.

### <Para desactivar temporizador de apagado automático>

- Mantenga pulsado el botón Timer On/Off (9) durante **3 segundos** para que aparezca "Timer Off" (en 6) y desaparezca el valor del temporizador (en 7).

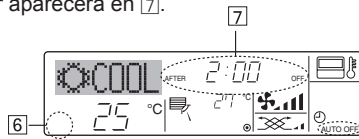


- Alternativamente, desconecte el acondicionador de aire. El valor del temporizador (en 7) desaparecerá de la pantalla.



### <Para iniciar el temporizador de apagado automático>

- Mantenga pulsado el botón Timer On/Off (9) durante **3 segundos**. Desaparece la indicación "Timer Off" (en 6) y la configuración del temporizador aparece en la pantalla (en 7).
- Alternativamente, encienda el acondicionador de aire. El valor del temporizador aparecerá en 7.



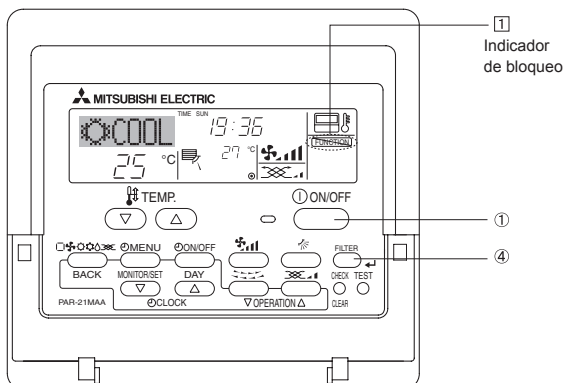
## 7. Otras funciones

### 7.1. Bloqueo de los botones del mando a distancia (límite de función de Operación)

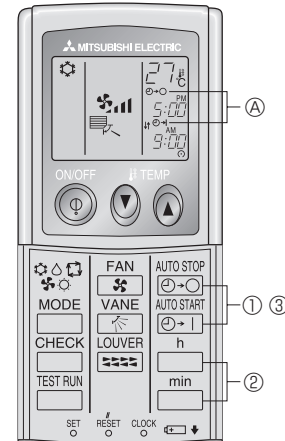
- Si lo desea, puede bloquear los botones del mando a distancia. Puede utilizar la selección de funciones del mando a distancia para elegir el tipo de bloqueo que desea usar. (Para más información sobre selección del tipo de bloqueo, consulte la sección 8, punto [4]-2(1)). Específicamente, puede utilizar cualquiera de los dos tipos de bloqueo que se indican a continuación.

1. Bloquear todos los botones: bloquea todos los botones en el mando a distancia.
2. Bloquear todo excepto ON/OFF (encendido/apagado): bloquea todos los botones excepto el botón ON/OFF.

**Nota:**  
Aparece en la pantalla el indicador "Locked" (bloqueado) para indicar que los botones están bloqueados en este momento.



## 6.2. Para controlador remoto inalámbrico



1. Presione el botón o (TIMER SET).

- Se puede fijar la hora mientras parpadee el símbolo siguiente. Temporizador de apagado: Parpadea . Temporizador de encendido: Parpadea .

2. Use los botones y para fijar la hora deseada.

3. Cancelación del temporizador.

Para cancelar el temporizador de apagado, presione el botón .

Para cancelar el temporizador de encendido, presione el botón .

- Es posible combinar el temporizador de encendido con el de apagado.
- Al presionar el botón 1 ON/OFF del mando a distancia durante el modo de temporizador para parar la unidad se cancelarán los temporizadores.
- Si no ha ajustado la hora actual, no podrá utilizar la función del temporizador.

### <Cómo bloquear los botones>

1. Mientras pulsa el botón Filter (4), pulse y mantenga pulsado el botón ON/OFF (1) durante 2 segundos. Aparece en la pantalla el indicador "Locked" (en 1) indicando que está activado el bloqueo.

- \* Si el bloqueo se ha deshabilitado en Function Selection, la pantalla mostrará el mensaje "Not Available" (no disponible) cuando pulse los botones según se describe anteriormente.

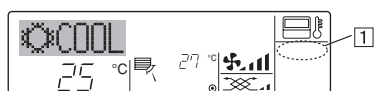


- Si pulsa un botón bloqueado, parpadeará en la pantalla el indicador "Locked" (en 1).



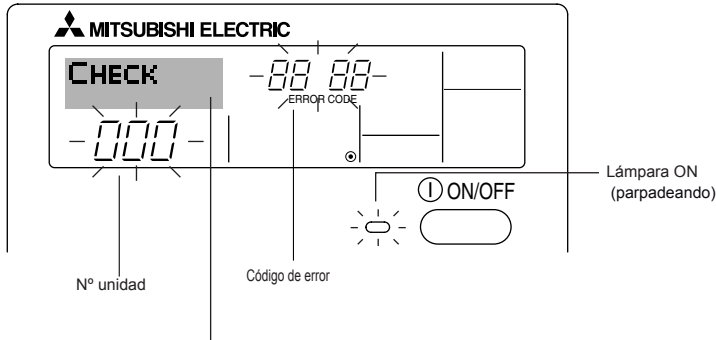
### <Cómo desbloquear los botones>

1. Mientras pulsa el botón Filter (4), pulse y mantenga pulsado el botón ON/OFF (1) durante 2 segundos para que el indicador "Locked" desaparezca de la pantalla (en 1).



## 7. Otras funciones

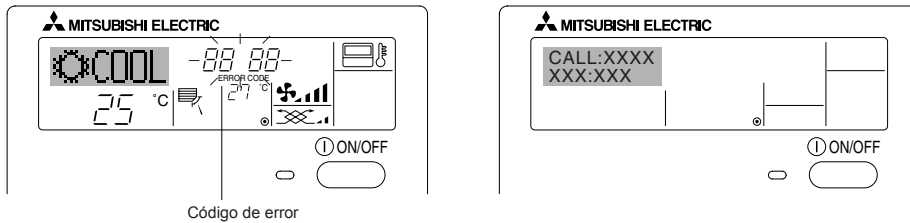
### 7.2. Indicación de códigos de error



Si ha introducido un número telefónico al cual llamar en caso de problemas, la pantalla mostrará este número. (Puede configurarlo en la Selección de Función. Para más información, consulte la sección 8).

- Si parpadean la lámpara ON y el código de error: esto significa que el acondicionador de aire está estropeado y su funcionamiento se ha detenido (y no puede reanudarse). Tome nota del número de unidad indicado y del código de error; luego desconecte la alimentación del acondicionador de aire y llame a su distribuidor o proveedor de servicio técnico.

Cuando se pulsa el botón Check:



Código de error

- Si solo parpadea el código de error (mientras la lámpara ON permanece encendida): continúa el funcionamiento, pero puede existir un problema en el sistema. En este caso, debe anotar el código de error y luego llamar a su distribuidor o proveedor de servicio técnico para asesoramiento.
- \* Si ha introducido un número de teléfono al cual llamar en caso de problemas, pulse el botón Check para mostrarlo en la pantalla. (Puede configurarlo en la Selección de Función. Para más información, consulte la sección 8).

## 8. Selección de función

### Selección de funciones del controlador remoto

El ajuste de las siguientes funciones del controlador remoto se puede cambiar utilizando el modo Selección de función del controlador remoto. Cambie el ajuste cuando sea necesario.

Ítem 1	Ítem 2	Ítem 3 (Contenido de ajuste)
1. Cambio de idioma ("CHANGE LANGUAGE")	Ajuste del idioma que aparece en el indicador	<ul style="list-style-type: none"> <li>• El indicador puede aparecer en distintos idiomas</li> </ul>
2. Límite de funciones ("SELECCIÓN DE FUNCIONES")	(1) Ajuste del límite de funciones (bloqueo de funciones) ("FUNCIÓN BLOQUEADA")	<ul style="list-style-type: none"> <li>• Ajuste del rango de límite de funcionamiento (bloqueo de funcionamiento)</li> </ul>
	(2) Uso del ajuste de modo automático ("SELECCIÓN MODO AUTO")	<ul style="list-style-type: none"> <li>• Ajuste del uso (o no) del modo de funcionamiento "automático"</li> </ul>
	(3) Ajuste del límite de rango de temperatura ("LIMIT TEMP CONSIGNA")	<ul style="list-style-type: none"> <li>• Ajuste del rango de temperatura (máximo, mínimo)</li> </ul>
3. Selección de modo ("SELECCIÓN DE MODO")	(1) Ajuste del controlador remoto principal/secundario ("CONTROL PRINCIPAL/SECUNDARIO")	<ul style="list-style-type: none"> <li>• Selección del controlador remoto principal o secundario</li> <li>* Si se conectan dos controladores remotos a un grupo, uno de los controladores debe seleccionarse como secundario.</li> </ul>
	(2) Uso del ajuste del reloj ("RELOJ")	<ul style="list-style-type: none"> <li>• Ajuste del uso (o no) de la función de reloj</li> </ul>
	(3) Ajuste de la función de temporizador ("TEMPORIZADOR SEMANAL")	<ul style="list-style-type: none"> <li>• Ajuste del tipo de temporizador</li> </ul>
	(4) Ajuste de número de contacto en caso de error ("CALL.")	<ul style="list-style-type: none"> <li>• Indicador del número de contacto en caso de error</li> <li>• Ajuste del número de teléfono</li> </ul>
4. Cambio de indicador ("MOSTRAR MODO")	(1) Ajuste del indicador de temperatura °C/°F ("TEMP. GRADOS °C/°F")	<ul style="list-style-type: none"> <li>• Ajuste de la unidad de temperatura (°C o °F) que debe aparecer en el indicador</li> </ul>
	(2) Ajuste del indicador de temperatura del aire de aspiración ("MOSTRAR TEMP.")	<ul style="list-style-type: none"> <li>• Ajuste del uso (o no) del indicador de temperatura del aire (aspiración) del interior</li> </ul>
	(3) Ajuste del indicador de refrigeración/calefacción automática ("MOSTRAR F/C EN AUTO")	<ul style="list-style-type: none"> <li>• Ajuste del uso (o no) del indicador de "Cooling" (Refrigeración) o "Heating" (Calefacción) durante el funcionamiento en modo automático</li> </ul>

# 8. Selección de función

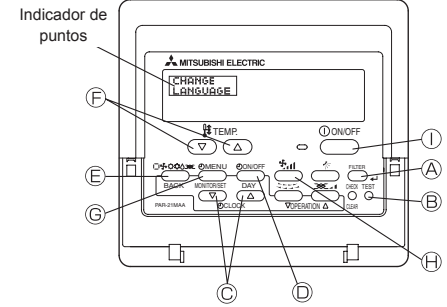
[Diagrama de flujo de selección de función]  
Idioma ajustado (inglés)

Indicador normal (Indicador que aparece cuando el acondicionador de aire está apagado)

Mantenga pulsado el botón E y presione el botón D durante dos segundos.

Mantenga pulsado el botón E y presione el botón D durante dos segundos.

- E Pulse el botón de modo de funcionamiento.
- G Pulse el botón TIMER MENU (MENÚ DE TEMPORIZADOR).
- D Pulse el botón TIMER ON/OFF (ACTIVAR/DESACTIVAR TEMPORIZADOR).

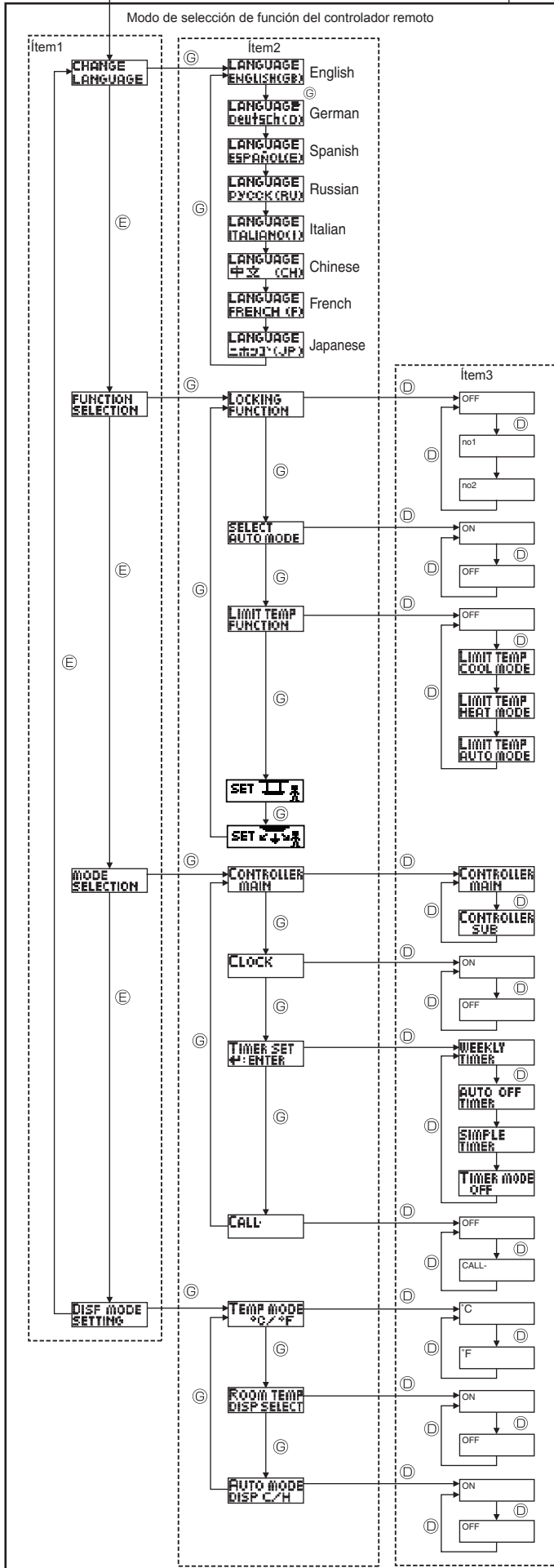


Cambio de idioma

Selección de función

Selección de modo

Cambio de indicador



- El ajuste de función bloqueada no se utiliza (valor de ajuste inicial).
- El bloqueo de funcionamiento está ajustado excepto para los botón On/Off (encendido y apagado).
- El bloqueo de funcionamiento está ajustado para todos los botones.
- El modo automático aparece al seleccionar el modo de funcionamiento (valor de ajuste inicial).
- El modo automático no aparece al seleccionar el modo de funcionamiento.
- El límite de rango de temperatura no está activo (valor de ajuste inicial).
- El rango de temperatura se puede cambiar en modo de refrigeración/secado.
- El rango de temperatura se puede cambiar en modo de secado.
- El rango de temperatura se puede cambiar en modo automático.
- Modo de funcionamiento arriba/abajo para panel de elevación del filtro automático. No es necesario ajustar este modo. Para más información sobre el funcionamiento, consulte el MANUAL DE INSTRUCCIONES de piezas opcionales (panel).
- Modo de circulación del aire en dirección fija. No es necesario ajustar este modo. Para más información sobre el funcionamiento, consulte el MANUAL DE INSTRUCCIONES de la unidad interior.
- El controlador remoto será el controlador principal (valor de ajuste inicial).
- El controlador remoto será el controlador secundario.
- Se puede utilizar la función de reloj (valor de ajuste inicial).
- La función de reloj no se puede utilizar.
- Se puede utilizar el temporizador semanal (valor de ajuste inicial).
- Se puede utilizar el temporizador de apagado automático.
- Se puede utilizar el temporizador simple.
- No se puede utilizar el modo de temporizador.
- Los números de contacto ajustados no aparecen en caso de error (valor de ajuste inicial).
- Los números de contacto ajustados aparecen en caso de error.
- Se utiliza la unidad de temperatura °C (valor de ajuste inicial).
- Se utiliza la unidad de temperatura °F.
- Aparece la temperatura del aire de la habitación (valor de ajuste inicial).
- No aparece la temperatura del aire de la habitación.
- "Automatic cooling" (Refrigeración automática) o "Automatic heating" (Calefacción automática) aparece cuando está en funcionamiento el modo automático (valor de ajuste inicial).
- En el modo automático, sólo aparece "Automatic" (Automático).

## 8. Selección de función

### [Ajuste detallado]

#### [4]-1. Ajuste de Cambio de idioma

Se puede seleccionar el idioma que aparece en el indicador de puntos.

- Presione el botón [MENU] G para cambiar el idioma.

- ① Inglés (GB), ② Alemán (D), ③ Español (E), ④ Ruso (RU),
- ⑤ Italiano (I), ⑥ Chino (CH), ⑦ Francés (F), ⑧ Japonés (JP)

Consulte la tabla del indicador de puntos.

#### [4]-2. Límite de funciones

##### (1) Ajuste del límite de funciones (bloqueo de funciones)

- Para cambiar el ajuste, presione el botón [ON/OFF] Ⓞ.

① no1: Se realiza el ajuste de bloqueo de funcionamiento en todos los botones salvo en el botón [ON/OFF].

② no2: Se realiza el ajuste de bloqueo de funcionamiento en todos los botones.

③ OFF (Valor del ajuste inicial):

No se realiza el bloqueo de funcionamiento.

- \* Para que el bloqueo de funcionamiento sea válido en la pantalla normal, hay que presionar los botones (Presione y mantenga pulsados a la vez los botones [FILTER] y [ON/OFF] durante dos segundos) en la pantalla normal una vez que se ha realizado el ajuste anterior.

##### (2) Uso del ajuste de modo automático

Cuando se conecta el controlador remoto a la unidad que tiene ajustado el modo funcionamiento automático, se pueden realizar los siguientes ajustes.

- Para cambiar el ajuste, presione el botón [ON/OFF] Ⓞ.

① ON (Valor del ajuste inicial):

Aparece el modo automático cuando se selecciona el modo de funcionamiento.

② OFF:

No aparece el modo automático cuando se selecciona el modo de funcionamiento.

##### (3) Ajuste del límite de rango de temperatura

Una vez que se realiza el ajuste, se puede cambiar la temperatura dentro del rango establecido.

- Para cambiar el ajuste, presione el botón [ON/OFF] Ⓞ.

① LIMIT TEMP MODO FRÍO:

El rango de temperatura se puede cambiar en modo refrigeración/secado.

② LIMIT TEMP MODO CALOR:

El rango de temperatura se puede cambiar en modo calefacción.

③ LIMIT TEMP MODO AUTO:

El rango de temperatura se puede cambiar en modo automático.

④ OFF (ajuste inicial):

No está activo el límite de rango de temperatura.

- \* Cuando se ajusta una posición distinta de la de desactivación (OFF), se ajusta a la vez el límite de rango de temperatura en modo refrigeración, calefacción y automático. No obstante, no se puede limitar el rango cuando no ha cambiado el rango de temperatura establecido.

- Para disminuir o aumentar la temperatura, presione el botón [TEMP. (▽) o (△)] Ⓞ.

- Para cambiar el ajuste de límite superior y el ajuste de límite inferior, presione el botón [LIMIT] Ⓞ. El ajuste seleccionado parpadeará y la temperatura podrá ajustarse.

- Rango ajustable

Modo Refrigeración/Secado:

Límite inferior: 19°C a 30°C      Límite superior: 30°C a 19°C

Modo Calefacción:

Límite inferior: 17°C a 28°C      Límite superior: 28°C a 17°C

Modo Automático:

Límite inferior: 19°C a 28°C      Límite superior: 28°C a 19°C

#### [4]-3. Ajuste de selección de modo

##### (1) Ajuste del controlador remoto principal/secundario

- Para cambiar el ajuste, presione el botón [ON/OFF] Ⓞ.

① Principal: El controlador será el principal.

② Secundario: El controlador será el secundario.

##### (2) Uso del ajuste del reloj

- Para cambiar el ajuste, presione el botón [ON/OFF] Ⓞ.

① ON: Se puede usar la función de reloj.

② OFF: No se puede usar la función de reloj.

##### (3) Ajuste de la función de temporizador

- Para cambiar el ajuste, presione el botón [ON/OFF] Ⓞ (Elija una de las siguientes funciones).

① TEMPORIZADOR SEMANAL (Valor del ajuste inicial):

Se puede usar el temporizador semanal.

② APAGADO AUTOMÁTICO:

Se puede usar el temporizador de desactivación automática.

③ TEMPORIZADOR SIMPLE:

Se puede usar el temporizador simple.

④ TEMPORIZADOR APAGADO:

No se puede usar el modo temporizador.

- \* Cuando el uso del ajuste de reloj está desactivado (OFF), no se puede usar el "TEMPORIZADOR SEMANAL".

##### (4) Ajuste de número de contacto en caso de error

- Para cambiar el ajuste, presione el botón [ON/OFF] Ⓞ.

① CALL OFF:

Los números de contacto establecidos no aparecen en el indicador en caso de error.

② CALL \*\*\*\* \*:

Los números de contacto establecidos aparecen en el indicador en caso de error.

CALL\_:

El número de contacto se puede ajustar cuando la pantalla aparece según se muestra arriba.

- Ajuste de los números de contacto

Para ajustar los números de contacto, proceda del siguiente modo. Mueva el cursor parpadeante para ajustar los números.

Presione el botón [TEMP. (▽) y (△)] Ⓞ para mover el cursor a la derecha (izquierda). Presione el botón [CLOCK (▽) y (△)] (Reloj) Ⓞ para ajustar los números.

#### [4]-4. Ajuste del cambio de indicador

##### (1) Ajuste del indicador de temperatura °C/°F

- Para cambiar el ajuste, presione el botón [ON/OFF] Ⓞ.

① °C: Se utiliza la unidad de temperatura en °C.

② °F: Se utiliza la unidad de temperatura en °F.

##### (2) Ajuste del indicador de temperatura del aire ambiente

- Para cambiar el ajuste, presione el botón [ON/OFF] Ⓞ.

① ON: Aparece la temperatura del aire de aspiración.

② OFF: No aparece la temperatura del aire de aspiración.

##### (3) Ajuste del indicador de refrigeración/calefacción automática

- Para cambiar el ajuste, presione el botón [ON/OFF] Ⓞ.

① ON:

Aparece la posición "Automatic cooling" (Refrigeración automática) o "Automatic heating" (Calefacción automática) en el modo automático.

② OFF:

Sólo aparece la posición "Automatic" (Automático) en el modo automático.



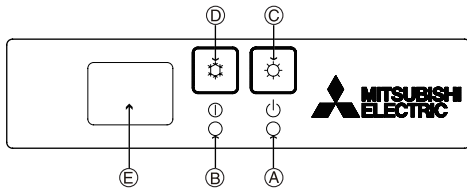
## 8. Selección de función

[Tabla del indicador de puntos]

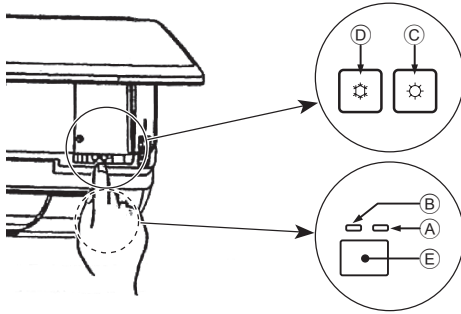
Idioma ajustado	English	German	Spanish	Russian	Italian	Chinese	French	Japanese	
Tiempo de espera de arranque	PLEASE WAIT	←	←	←	←	←	←	←	
Modo de funcionamiento	Enfriamiento	COOL	Kühlen	FRÍO	Холод	COOL	FROID	冷房	
	Secado	DRY	Trocknen	DESHUMIDIFICACIÓN	Сушка	DRY	DESHU	ドライ	
	Calefacción	HEAT	Heizen	CALOR	Тепло	HEAT	CHAUD	暖房	
	Automático	AUTO	AUTO	AUTOMÁTICO	Автомат	AUTO	自动	自動	
	Automático (Enfriamiento)	COOL	Kühlen	FRÍO	Холод	COOL	FROID	冷房	
	Automático (Calefacción)	HEAT	Heizen	CALOR	Тепло	HEAT	CHAUD	暖房	
	Ventilador	FAN	Lüfter	VENTILACIÓN	Вент	VENTILAZIONE	送风	VENTILATION	送風
	Ventilación	VENTILATION	Gelüfesebetrieb	VENTILACIÓN	ВЕНТИЛЯЦИЯ	ARIA ESTERNA	换气	VENTILATION	換気
	Espera (calentando)	STAND BY	STAND BY	CALENTANDO	Обогрев: пауза	STAND BY	准备中	PRE CHAUFFAGE	準備中
Descongelación	DEFROST	Abtauen	DESCONGELACIÓN	Оттаивание	SGRINAMENTO	除霜中	DEGIVRAGE	霜取中	
Temperatura ajustada	SET TEMP	TEMP einstellen	TEMP. CONSIGNA	ЦЕЛЕВАЯ ТЕМПЕРАТУРА	IMPOSTAZIONE TEMPERATURA	设定温度	REGLAGE TEMPERATURE	設定温度	
Velocidad del ventilador	FAN SPEED	Lüftersgeschwindigkeit	VELOCIDAD VENTILADOR	СКОРОСТЬ ВЕНТИЛЯТОРА	VELOCITÀ VENTILATORE	风速	VITESSE DE VENTILATION	風速	
Botón no disponible	NOT AVAILABLE	Nicht verfügbar	NO DISPONIBLE	НЕ ДОСТУПНО	NON DISPONIBILE	无效按钮	NON DISPONIBLE	無効ボタン	
Comprobación (error)	CHECK	Prüfen	COMPROBAR	ПРОВЕРКА	CHECK	検査	CONTROLE	点検	
Prueba de funcionamiento	TEST RUN	Testbetrieb	TEST FUNCIONAMIENTO	ТЕСТОВЫЙ ЗАПУСК	TEST RUN	试运行	TEST	試運転	
Auto-revisión	SELF CHECK	Selbst-diagnose	AUTO REVISIÓN	САМОДИАГНОСТИКА	SELF CHECK	自我诊断	AUTO CONTROLE	自己診断	
Selección de función en la unidad	FUNCTION SELECTION	Funktion SAUSWAHL	SELECCIÓN DE FUNCIÓN	ВЫБОР ФУНКЦИИ	SELEZIONE FUNZIONI	功能选择	SELECTION FONCTIONS	メニュー選択	
Ajuste de ventilación	SETTING OF VENTILATION	Lüfterstufen wählen	CONFIG. VENTILACIÓN	НАСТРОЙКА ВЕНТУСТАНА	IMPOSTAZIONE ARIA ESTERNA	换气设定	SELECTION VENTILATION	換気設定	

Idioma ajustado	English	German	Spanish	Russian	Italian	Chinese	French	Japanese
Cambio de idioma	CHANGE LANGUAGE	←	←	←	←	←	←	←
Selección de función	FUNCTION SELECTION	Funktion auswählen	SELECCIÓN DE FUNCIONES	ВЫБОР ФУНКЦИИ	SELEZIONE FUNZIONI	功能限制	SELECTION FONCTIONS	メニュー制限
Ajuste de límite de funcionamiento de una operación	LOCKING FUNCTION	Sperre - Funktion	FUNCION BLOQUEADA	ФУНКЦИЯ БЛОКИРОВКИ	BLOCCO FUNZIONI	操作限制	BLOCAGE FONCTIONS	操作ロック
Utilización del ajuste de modo automático	SELECT AUTO MODE	Auswahl AutoBetrieb	SELECCIÓN MODO AUTO	ВЫБОР РЕЖИМА АВТО	SELEZIONE MODO AUTO	自动模式	SELECTION DU MODE AUTO	自動モード
Ajuste de límite de rango de temperatura	LIMIT TEMP FUNCTION	Limit Temp Funktion	LIMIT TEMP CONSIGNA	ОГРАНИЧЕНИЕ УЛТ.ТЕМПЕРАТ	LIMITAZIONE TEMPERATURA	温度限制	LIMITATION TEMPERATURE	温度制限
Límite de temperatura modo refrigeración/día	LIMIT TEMP COOL MODE	Limit Kühl Temp	LIMIT TEMP MODO FRIO	ОГРАНИЧЕНИЕ ОХЛАЖДЕНИЕ	LIMITAZIONE MODO COOL	制冷范围	LIMITE TEMP MODO FROID	制冷房
Límite de temperatura modo de calefacción	LIMIT TEMP HEAT MODE	Limit Heiz Temp	LIMIT TEMP MODO CALOR	ОГРАНИЧЕН ОБОГРЕВ	LIMITAZIONE MODO HEAT	制热范围	LIMITE TEMP MODO CHAUD	制热房
Límite de temperatura modo automático	LIMIT TEMP AUTO MODE	Limit Auto temp	LIMIT TEMP MODO AUTO	ОГРАНИЧЕН РЕЖИМ АВТО	LIMITAZIONE MODO AUTO	自动范围	LIMITE TEMP MODO AUTO	制自动
Selección de modo	MODE SELECTION	Betriebsart wählen	SELECCIÓN DE MODO	ВЫБОР РЕЖИМА	SELEZIONE MODO	基本模式	SELECTION DU MODE	基本メニュー
Ajuste de controlador remoto MAIN (PRINCIPAL)	CONTROLLER MAIN	Haupt Controller	CONTROL PRINCIPAL	ОСНОВНОЙ ПУЛЬТ	CONTROLLO MAIN	遥控主	TELCOMMANDE MAITRE	リモコン 主機
Ajuste de controlador remoto SUB (SECUNDARIO)	CONTROLLER SUB	Neben Controller	CONTROL SECUNDARIO	ДОПОЛНИТЕЛЬНЫЙ ПУЛЬТ	CONTROLLO SUB	遥控辅	TELCOMMANDE ESCLAVE	リモコン 主副
Utilización del ajuste del reloj	CLOCK	Uhr	RELOJ	Часы	OROLOGIO	时钟	AFFICHAGE HORLOGE	時計 3:00
Ajuste del día de la semana y la hora	TIME SET 4:ENTER	Uhr stellen 4:einstellen	CONFIG RELOJ 4:CONFIG	ЧАСЫ:УСТ. 4:ВВОД	OROLOGIO 4:ENTER	时间 4:ENTER	HORLOGE 4:ENTRER	トケイセッテイ 4: カクタイ
Ajuste del temporizador	TIMER SET 4:ENTER	Zeitschaltuhr 4:einstellen	TEMPORIZA - DOR 4:CONFIG	ТАЙМЕР:УСТ. 4:ВВОД	TIMER 4:ENTER	定时器 4:ENTER	PROG HORAIRE 4:ENTRER	タイマーセッテイ 4: カクタイ
Visualización del temporizador	TIMER MONITOR	Uhrzeit Anzeige	VISUALIZAR TEMPORIZAD.	ПРОСМОТР ТАЙМЕРА	VISUALIZ TIMER	定时器状态	AFFICHAGE PROG HORAIRE	タイマーモニター
Temporizador semanal	WEEKLY TIMER	Wochenzeit schalt Uhr	TEMPORIZA - DOR SEMANAL	НЕДЕЛЬНЫЙ ТАЙМЕР	TIMER SETTIMANALE	每周定时器	PROG NEEED MADAIRE	タイマー 週間
Modo de temporizador apagado	TIMER MODE OFF	Zeitschaltuhr AUS	TEMPORIZA - DOR APAGADO	ТАЙМЕР ВЫКЛ.	TIMER OFF	定时器无效	PROG HORAIRE INACTIF	タイマー 無効
Temporizador de apagado automático	AUTO OFF TIMER	AUTO Zeit funktion AUS	APAGADO AUTOMÁTICO	ДЕПОЛИВЧ. ПО ТАЙМЕРУ	AUTO OFF TIMER	解除定时	PROG HORAIRE ARRET AUTO	タイマー-カクワズル 消タウ
Temporizador simple	SIMPLE TIMER	Einfache Zeitfunktion	TEMPORIZA - DOR SIMPLE	ПРОСТОЙ ТАЙМЕР	TIMER SEMPLIFICATO	简易定时器	PROG HORAIRE SIMPLIFIE	タイマー-カンイ
Ajuste de número de contacto en caso de avería	CALL	←	←	←	←	←	←	←
Cambio de indicación	DISP MODE SETTING	Anzeige Betriebsst. f.	MOSTRAR MODO	НАСТРОЙКА ИНА РЕЖИМА	IMPOSTAZIONE MODO DISPLAY	转换表示	AFFICHAGE SOUS MENU	表示切替
Ajuste de visualización de temperatura °C/°F	TEMP MODE °C/°F	Wechsel °C/°F	TEMPERADOS °C/°F	ЕДИН.ТЕМПЕР °C/°F	TEMPERATURA °C/°F	温度 °C/°F	TEMPERATURE °C/°F	温度 °C/°F
Ajuste de visualización de la temperatura del aire de la habitación	ROOM TEMP DISP SELECT	Room Temp zeWahl	MOSTRAR TEMP.	ПОКАЗЫВАТЬ ТЕМП.В КОМН.	TEMPERATURA AMBIENTE	吸入温度	TEMPERATURE AMBIANTE	スィコマンド 3:00
Ajuste de visualización de refrigeración/calefacción automática	AUTO MODE DISP C/H	AutoBetrieb C/H	MOSTRAR F-C EN AUTO	ИНА. Т/°X В РЕЖИМЕ АВТО	AUTO C/H	自动表示	AFFICHAGE AUTO F/C	自動表示

## 9. Funcionamiento de emergencia del controlador remoto inalámbrico



(Para PKFY-P-VHM-E)



### Cuando no puede utilizar el controlador remoto

Cuando se agoten las pilas del controlador remoto o éste tenga algún fallo, puede llevar a cabo el funcionamiento de emergencia mediante los botones de emergencia que se encuentran del controlador.

- A Luz DEFROST/STAND BY (DESCONGELACIÓN/RESERVA)
- B Luz de funcionamiento
- C Interruptor de funcionamiento de emergencia (calefacción)
- D Interruptor de funcionamiento de emergencia (refrigeración)
- E Receptor

### Inicio del funcionamiento

- Para poner en funcionamiento el modo de enfriamiento, mantenga apretado el botón ☼ ⊕ durante más de 2 segundos.
- Para poner en funcionamiento el modo de calefacción, mantenga apretado el botón ☼ ⊙ durante más de 2 segundos.

### Nota:

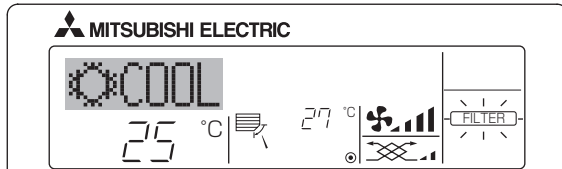
- Los detalles correspondientes al modo de emergencia aparecen a continuación. Los detalles correspondientes al MODO DE EMERGENCIA aparecen a continuación.

Modo de funcionamiento	REFRIGERACIÓN	CALEFACCIÓN
Temperatura	24°C	24°C
Velocidad del ventilador	Alta	Alta
Dirección del flujo de aire	Horizontal	Hacia abajo 4 (5)

### Parada del funcionamiento

- Para detener el funcionamiento, pulse el botón ☼ ⊕ o el botón ☼ ⊙ durante más de 2 segundos.

## 10. Mantenimiento y limpieza



- Indica que el filtro necesita una limpieza.

Limpie el filtro.

- Cuando restablezca el indicador "FILTER" (Filtro)

Cuando presiona el botón [FILTER] (Filtro) dos veces sucesivamente después de haber limpiado el filtro, el indicador se apagará y se restablecerá.

### Nota:

- Cuando se controlan dos o más tipos diferentes de unidad interior, el periodo de limpieza difiere con el tipo de filtro. Cuando llega el momento de limpiar la unidad principal, aparece "FILTER" (Filtro). Cuando se apague el indicador del filtro, el tiempo acumulado se reajustará.
- "FILTER" (Filtro) indica el periodo de limpieza en que se usó el acondicionador de aire bajo las condiciones generales de aire interior por tiempo. Ya que el grado de suciedad depende de las condiciones ambientales, limpie el filtro de acuerdo con las circunstancias.
- El periodo acumulado de limpieza del filtro difiere según el modelo.
- Esta indicación no está disponible en el controlador remoto inalámbrico.

### ► Limpieza de los filtros

- Limpie los filtros con ayuda de una aspiradora. Si no tiene aspiradora, golpee suavemente los filtros contra un objeto sólido para desprender el polvo y la suciedad.
- Si los filtros están especialmente sucios, lávelos con agua tibia. Tenga cuidado de aclarar bien cualquier resto de detergente y deje que los filtros se sequen completamente antes de volver a ponerlos en la unidad.

### ⚠ Cuidado:

- No seque los filtros colocándolos al sol o con una fuente de calor como el de una estufa eléctrica; podrían deformarse.
- No lave los filtros en agua caliente (más de 50°C) ya que se deformarían.
- Cerciórese de que los filtros están siempre instalados. El funcionamiento de la unidad sin filtros puede provocar un mal funcionamiento.

### ⚠ Cuidado:

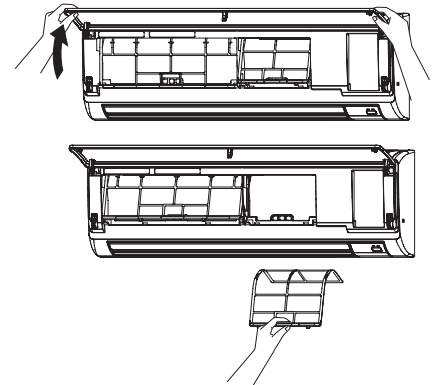
- Antes de empezar la limpieza, apague la fuente de alimentación.
- Las unidades interiores están equipadas con un filtro que elimina el polvo del aire aspirado. Limpie el filtro usando los métodos indicados en las ilustraciones siguientes.

### ► Retirada del filtro

#### ⚠ Cuidado:

- Al retirar el filtro, tenga cuidado de protegerse los ojos del polvo. Asimismo, si para hacerlo tiene que subirse a un taburete, tenga cuidado de no caerse.
- Una vez retirado el filtro, no toque las partes metálicas que hay en la unidad interior, ya que puede causarle heridas.

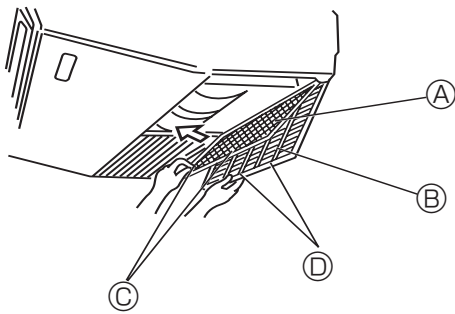
- PKFY-P-VBM-E
- PKFY-P-VHM-E



- ① Tire hacia afuera de los dos botones situados en las esquinas de la rejilla de entrada y levante el filtro.

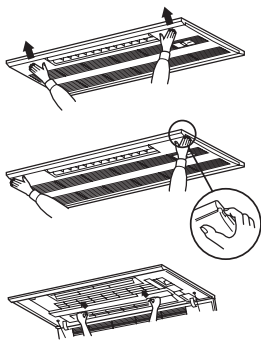
## 10. Mantenimiento y limpieza

### ■ PCFY-P-VKM-E



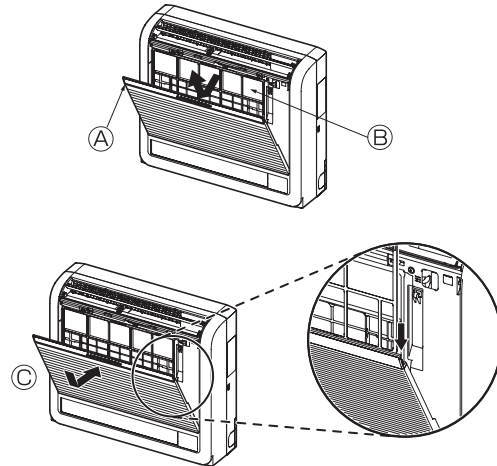
- ① Abra la rejilla de admisión.
  - ② Sujete la perilla del filtro y luego tire del filtro hacia arriba en la dirección de la flecha. Al colocar el filtro después de la limpieza, asegúrese de introducir el filtro lo suficiente hasta que encaje en el tope.
- A Filtro    B Rejilla de admisión    C Perilla    D Tope

### ■ PMFY-P-VBM-E



- ① Pulsando el botón PUSH de parte externa de la rejilla de admisión ésta se abrirá.
- ② Un filtro que tenga una rejilla de admisión se puede extraer tirando de él.

### ■ PFFY-P-VKM-E(2)



- ① Retire el filtro de aire de taninos.
- A Abra la rejilla frontal  
 B Filtro de aire de taninos

#### ⚠ Cuidado:

**Para retirar el filtro de aire de taninos, no toque las partes metálicas de la unidad interior. Podría hacerse daño.**

- ② Coloque el filtro de aire de taninos. Asegúrese de instalar los dos extremos en las lengüetas tal y como se indica.
- ③ Cierre la rejilla frontal con cuidado.

## 11. Localización de fallos

¿Problemas?	Aquí tiene la solución. (La unidad funciona normalmente).
El acondicionador de aire no calienta o refrigera bien.	<ul style="list-style-type: none"> <li>■ Limpie el filtro (el flujo de aire se reduce cuando el filtro está sucio o atascado).</li> <li>■ Compruebe el ajuste de temperatura y modifique la temperatura ajustada.</li> <li>■ Asegúrese de que hay espacio suficiente alrededor de la unidad exterior. ¿Está bloqueada la entrada o la salida de aire de la unidad interior?</li> <li>■ ¿Ha dejado abierta una puerta o ventana?</li> </ul>
Cuando comienza el modo de calefacción, al principio no sale aire caliente de la unidad interior.	<ul style="list-style-type: none"> <li>■ El aire caliente no empieza a salir hasta que la unidad interior se ha calentado lo suficiente.</li> </ul>
Durante el modo de calefacción, el acondicionador de aire se detiene antes de alcanzar la temperatura ajustada para la habitación.	<ul style="list-style-type: none"> <li>■ Cuando la temperatura exterior es baja y la humedad es alta, puede formarse escarcha en la unidad exterior. Si esto sucede, la unidad exterior iniciará la operación de descongelación. Una vez transcurridos unos 10 minutos, se reanudará el funcionamiento normal.</li> </ul>
La dirección del aire cambia durante el funcionamiento o no es posible cambiar la dirección del flujo de aire.	<ul style="list-style-type: none"> <li>■ Durante el modo de refrigeración, los deflectores se mueven automáticamente a la posición horizontal (inferior) tras 1 hora cuando se ha seleccionado la dirección de flujo de aire inferior (horizontal). De esta forma se evita que se acumule agua y caiga desde los deflectores.</li> <li>■ Durante el modo de calefacción, los deflectores se mueven automáticamente a la posición de flujo de aire horizontal si la temperatura del flujo de aire es baja o durante el modo de descongelación.</li> </ul>
Cuando cambia la dirección del flujo de aire, los deflectores siempre se mueven arriba y abajo antes de detenerse en la posición ajustada.	<ul style="list-style-type: none"> <li>■ Cuando cambia la dirección del flujo de aire, los deflectores se mueven a la posición ajustada tras haber detectado la posición base.</li> </ul>
Se oye un sonido de agua fluyendo o, en ocasiones, una especie de silbido.	<ul style="list-style-type: none"> <li>■ Estos sonidos se pueden oír cuando el refrigerante fluye por el acondicionador de aire o cuando cambia el flujo del refrigerante.</li> </ul>
Se oye un traqueteo o un chirrido.	<ul style="list-style-type: none"> <li>■ Estos ruidos se oyen cuando las piezas rozan entre sí debido a la expansión y contracción provocadas por los cambios de temperatura.</li> </ul>
Hay un olor desagradable en la sala.	<ul style="list-style-type: none"> <li>■ La unidad interior recoge aire que contiene gases producidos por las paredes, moquetas y muebles, así como olores atrapados en las ropas y después lo devuelve a la sala.</li> </ul>
La unidad interior expulsa un vaho o humo blanco.	<ul style="list-style-type: none"> <li>■ Si la temperatura y la humedad de la unidad interior son altas, esto puede suceder inmediatamente tras encender el acondicionador de aire.</li> <li>■ Durante el modo de descongelación, el aire frío puede salir hacia abajo con la apariencia de vaho.</li> </ul>
La unidad exterior expulsa agua o vapor.	<ul style="list-style-type: none"> <li>■ Durante el modo de refrigeración, puede acumularse agua y gotear de las tuberías y juntas de refrigeración.</li> <li>■ Durante el modo de calefacción, puede acumularse agua y gotear del intercambiador de calor.</li> <li>■ Durante el modo de descongelación, el agua del intercambiador de calor se evapora, por lo que se emite vapor de agua.</li> </ul>
El indicador de operación no aparece en la pantalla del controlador remoto.	<ul style="list-style-type: none"> <li>■ Encienda el equipo. En la pantalla del controlador remoto aparecerá el indicador "●".</li> </ul>
El acondicionador de aire no funciona siquiera pulsando el botón ON/OFF. La pantalla del modo de funcionamiento del controlador remoto desaparece.	<ul style="list-style-type: none"> <li>■ ¿Está desconectado el interruptor de red de la unidad interior? Conecte el interruptor de red.</li> </ul>
En la pantalla del controlador remoto aparece "❏".	<ul style="list-style-type: none"> <li>■ Durante el control central, "❏" aparece en la pantalla del controlador remoto. El funcionamiento del acondicionador de aire no se puede iniciar ni detener con el controlador remoto.</li> </ul>
Al reiniciar el acondicionador de aire poco después de apagarlo, no funciona al pulsar el botón ON/OFF (ENCENDIDO/APAGADO).	<ul style="list-style-type: none"> <li>■ Espere unos tres minutos. (El funcionamiento se ha detenido para proteger el acondicionador de aire).</li> </ul>
El acondicionador de aire funciona sin haber pulsado el botón ON/OFF (ENCENDIDO/APAGADO).	<ul style="list-style-type: none"> <li>■ ¿Está ajustado el temporizador de encendido? Pulse el botón ON/OFF (ENCENDIDO/APAGADO) para detener el funcionamiento.</li> <li>■ ¿El acondicionador de aire está conectado a un controlador remoto central? Consulte a la persona encargada de controlar el acondicionador de aire.</li> <li>■ ¿Aparece "❏" en la pantalla del controlador remoto? Consulte a la persona encargada de controlar el acondicionador de aire.</li> <li>■ ¿Se ha ajustado la función de auto-recuperación para caídas de tensión? Pulse el botón ON/OFF (ENCENDIDO/APAGADO) para detener el funcionamiento.</li> </ul>
El acondicionador de aire se detiene sin haber pulsado el botón ON/OFF (ENCENDIDO/APAGADO).	<ul style="list-style-type: none"> <li>■ ¿Está ajustado el temporizador de apagado? Pulse el botón ON/OFF (ENCENDIDO/APAGADO) para reiniciar el funcionamiento.</li> <li>■ ¿El acondicionador de aire está conectado a un controlador remoto central? Consulte a la persona encargada de controlar el acondicionador de aire.</li> <li>■ ¿Aparece "❏" en la pantalla del controlador remoto? Consulte a la persona encargada de controlar el acondicionador de aire.</li> </ul>
No es posible ajustar el funcionamiento del temporizador del controlador remoto.	<ul style="list-style-type: none"> <li>■ ¿Los ajustes del temporizador no son válidos? Si el temporizador se puede ajustar, (WEEKLY), (SIMPLE) o (AUTO OFF) aparecerán en la pantalla del controlador remoto.</li> </ul>
En la pantalla del controlador remoto aparece "PLEASE WAIT" (POR FAVOR, ESPERE).	<ul style="list-style-type: none"> <li>■ Se han realizado los ajustes iniciales. Espere unos 3 minutos.</li> </ul>
En la pantalla del controlador remoto aparece un código de error.	<ul style="list-style-type: none"> <li>■ Los dispositivos de protección se han activado para proteger el acondicionador de aire.</li> <li>■ No intente reparar el equipo usted mismo.</li> <li>■ Apague inmediatamente el acondicionador de aire y póngase en contacto con su distribuidor. Asegúrese de indicar al distribuidor el nombre del modelo y la información que aparecía en la pantalla del controlador remoto.</li> </ul>
Se oye un ruido de drenaje de agua o rotación de motor.	<ul style="list-style-type: none"> <li>■ Cuando se detiene el funcionamiento de refrigeración, la bomba de drenaje se activa y luego se detiene. Espere unos 3 minutos.</li> </ul>

## 11. Localización de fallos

¿Problemas?	Aquí tiene la solución. (La unidad funciona normalmente).												
El ruido es mayor de lo indicado en las especificaciones.	<p>■ El nivel de ruido de servicio en interiores se ve afectado por la acústica de acuerdo con la siguiente tabla y será superior a la especificación de ruido, la cual fue medida en una sala sin eco.</p> <table border="1"> <thead> <tr> <th></th> <th>Salas de alta absorción del sonido</th> <th>Salas normales</th> <th>Salas de baja absorción del sonido</th> </tr> </thead> <tbody> <tr> <td>Ejemplos de lugares</td> <td>Estudio de radiotransmisión, salas de mezclas, etc.</td> <td>Sala de recepción, hall de un hotel, etc.</td> <td>Oficina, habitación de hotel</td> </tr> <tr> <td>Niveles de ruido</td> <td>3 a 7 dB</td> <td>6 a 10 dB</td> <td>9 a 13 dB</td> </tr> </tbody> </table>		Salas de alta absorción del sonido	Salas normales	Salas de baja absorción del sonido	Ejemplos de lugares	Estudio de radiotransmisión, salas de mezclas, etc.	Sala de recepción, hall de un hotel, etc.	Oficina, habitación de hotel	Niveles de ruido	3 a 7 dB	6 a 10 dB	9 a 13 dB
	Salas de alta absorción del sonido	Salas normales	Salas de baja absorción del sonido										
Ejemplos de lugares	Estudio de radiotransmisión, salas de mezclas, etc.	Sala de recepción, hall de un hotel, etc.	Oficina, habitación de hotel										
Niveles de ruido	3 a 7 dB	6 a 10 dB	9 a 13 dB										
No aparece nada en la pantalla del controlador remoto inalámbrico, las indicaciones apenas se ven o la unidad interior no recibe las señales a menos que el controlador remoto esté muy cerca.	<p>■ Las pilas apenas tienen carga. Sustitúyalas y pulse el botón Reset (Restablecimiento).</p> <p>■ Si la situación no cambia al sustituir las pilas, asegúrese de que están colocadas con la polaridad correcta (+, -).</p>												
La luz de funcionamiento situada junto al receptor del controlador remoto inalámbrico de la unidad interior parpadea.	<p>■ La función de autodiagnóstico se ha activado para proteger el acondicionador de aire.</p> <p>■ No intente reparar el equipo usted mismo. Apague inmediatamente el acondicionador de aire y póngase en contacto con su distribuidor. Asegúrese de indicar al distribuidor el nombre del modelo.</p>												
Cuando el modo de calentamiento está apagado o durante el modo de ventilación, sale aire caliente de la unidad interior de forma intermitente	<p>■ Cuando otra unidad interior está funcionando en modo de calentamiento, la válvula de mando se abre y se cierra de vez en cuando para mantener la estabilidad del sistema de aire acondicionado. Esta operación se detiene al cabo de un rato.</p> <p>* Si ello provoca un aumento inadmisiblemente en la temperatura ambiente de salas pequeñas, etc. detenga la unidad interior temporalmente.</p>												
El regulador se abre y cierra automáticamente. (Para la serie PFFY-P-VKM-E)	<p>■ El regulador es controlado automáticamente por un microordenador de acuerdo con la temperatura del flujo del aire y el tiempo de funcionamiento del acondicionador de aire.</p>												

### ► Control de la salida de aire (para la serie PFFY-P-VKM-E)

Esta unidad está controlada automáticamente para que el aire se expulse simultáneamente por las salidas superior e inferior, de modo que la sala se pueda refrigerar o calentar de forma eficaz.

#### Descripción de funcionamiento

Funcionamiento	REFRIGERACIÓN		DESHUMIDIFICACIÓN	CALEFACCIÓN		FAN
Flujo de aire						
Condiciones	La temperatura de la sala y la temperatura ajustada son distintas.	La temperatura de la sala está cerca de la temperatura ajustada o el termostato está desconectado.	—	(Condición normal (calefacción))	Durante el funcionamiento de desescarchado, inicio del funcionamiento, termostato desconectado	—

- Asegúrese de que la zona alrededor del regulador de la salida de aire inferior está libre de cualquier objeto. Esta unidad también se puede ajustar para que expulse aire desde la salida superior con sólo cambiar el ajuste del conmutador del tablero de direcciones (solicítelo a su distribuidor).

#### Margen de aplicación:

El margen de temperaturas de trabajo de la serie Y, R2, Multi-S, tanto de la unidad interior como de la exterior, es el que se indica a continuación.

#### ⚠ Advertencia:

Si el acondicionador de aire funciona pero no enfría ni calienta la sala (según el modelo) póngase en contacto con su distribuidor, ya que podría sufrir una fuga de refrigerante. Acuérdesse de preguntar al técnico de servicio si hay una fuga de refrigerante cuando realice la reparación. El refrigerante del acondicionador de aire está seguro. Normalmente no se producen pérdidas de refrigerante, aunque, si se produjera una fuga de gas refrigerante en una sala interior y entrara en contacto con un fuego, un ventilador calefactor, una calefacción, una estufa, etc. podría generar sustancias nocivas.



## 12. Especificaciones

### ■ Serie PCFY-P-VKM-E

Modelo		P40	P63	P100	P125
Alimentación (Voltaje <V>/Frecuencia)	<Hz>	~N 220-230-240/50, 220/60			
Capacidad (refrigeración/calefacción)	<kW>	4,5/5,0	7,1/8,0	11,2/12,5	14,0/16,0
Dimensión (altura)	<mm>	230			
Dimensión (ancho)	<mm>	960	1280	1600	
Dimensión (profundidad)	<mm>	680			
Peso neto	<kg>	24	32	36	38
Régimen de flujo de aire del ventilador (bajo-medio2-medio1-alto)	<m³/min>	10-11-12-13	14-15-16-18	21-24-26-28	21-24-27-31
Nivel de ruido (bajo-medio2-medio1-alto)	<dB>	29-32-34-36	31-33-35-37	36-39-41-43	36-39-42-44

#### Nota

\* Temperatura de funcionamiento de la unidad interior.

Modo refrigeración: 15 °C WB - 24 °C WB

Modo calefacción: 15 °C DB - 27 °C DB

\*1 La capacidad del modo refrigeración/calefacción indica el valor máximo del funcionamiento bajo las siguientes condiciones.

Refrigeración: 27 °C DB/19 °C WB Interior, 35 °C DB Exterior

Calefacción: 20 °C DB Interior, 7 °C DB/6 °C WB Exterior

### ■ Serie PKFY-P-VBM-E

Modelo		P15	P20	P25	P32	P40	P50
Alimentación (Voltaje <V>/Frecuencia)	<Hz>	~N 220-230-240/50, 220/60					
Capacidad (refrigeración/calefacción)	<kW>	1,7/1,9	2,2/2,5	2,8/3,2	3,6/4,0	4,5/5,0	5,6/6,3
Dimensión (altura)	<mm>	295			295		
Dimensión (ancho)	<mm>	815			898		
Dimensión (profundidad)	<mm>	225			249		
Peso neto	<kg>	10			13		
Régimen de flujo de aire del ventilador (bajo-medio2-medio1-alto)	<m³/min>	4,9-5,0-5,2-5,3	4,9-5,2-5,6-5,9		9-10-11	9-10,5-11,5	9-10,5-12
Nivel de ruido (bajo-medio2-medio1-alto)	<dB>	29-31-32-33	29-31-34-36		34-37-41	34-38-41	34-39-43

### ■ Serie PKFY-P-VHM-E

#### Nota

\* Temperatura de funcionamiento de la unidad interior.

Modo refrigeración: 15 °C WB - 24 °C WB

Modo calefacción: 15 °C DB - 27 °C DB

\*1 La capacidad del modo refrigeración/calefacción indica el valor máximo del funcionamiento bajo las siguientes condiciones.

Refrigeración: 27 °C DB/19 °C WB Interior, 35 °C DB Exterior

Calefacción: 20 °C DB Interior, 7 °C DB/6 °C WB Exterior

### ■ Serie PMFY-P-VBM-E

Modelo		P20	P25	P32	P40
Alimentación (Voltaje <V>/Frecuencia)	<Hz>	~N 220-230-240/50, 220/60			
Capacidad (refrigeración/calefacción)	<kW>	2,2/2,5	2,8/3,2	3,6/4,0	4,5/5,0
Dimensión (altura)	<mm>	230 (30)			
Dimensión (ancho)	<mm>	854 (1000)			
Dimensión (profundidad)	<mm>	395 (470)			
Peso neto	<kg>	14 (3,0)			
Régimen de flujo de aire del ventilador (bajo-medio2-medio1-alto)	<m³/min>	6,5-7,2-8,0-8,6	7,3-8,0-8,6-9,3		7,7-8,7-9,7-10,7
Nivel de ruido (bajo-medio2-medio1-alto)	<dB>	27-30-33-36	32-34-36-37		33-35-37-39

#### Nota

\* Temperatura de funcionamiento de la unidad interior.

Modo refrigeración: 15 °C WB - 24 °C WB

Modo calefacción: 15 °C DB - 27 °C DB

\*1 La capacidad del modo refrigeración/calefacción indica el valor máximo del funcionamiento bajo las siguientes condiciones.

Refrigeración: 27 °C DB/19 °C WB Interior, 35 °C DB Exterior

Calefacción: 20 °C DB Interior, 7 °C DB/6 °C WB Exterior

\*2 La figura en ( ) se refiere a los paneles.

### ■ Serie PFFY-P-VKM-E

Modelo		P20	P25	P32	P40
Alimentación (Voltaje <V>/Frecuencia)	<Hz>	~N 220-230-240/50			
Capacidad (refrigeración/calefacción)	<kW>	2,2/2,5	2,8/3,2	3,6/4,0	4,5/5,0
Dimensión (altura)	<mm>	600			
Dimensión (ancho)	<mm>	700			
Dimensión (profundidad)	<mm>	200			
Peso neto	<kg>	14			
Régimen de flujo de aire del ventilador (bajo-medio2-medio1-alto)	<m³/min>	5,9-6,8-7,6-8,7	6,1-7,0-8,0-9,1		8,0-9,0-9,5-10,7
Nivel de ruido (bajo-medio2-medio1-alto)	<dB>	27-31-34-37	28-32-35-38		35-38-42-44

#### Nota

\* Temperatura de funcionamiento de la unidad interior.

Modo refrigeración: 15 °C WB - 24 °C WB

Modo calefacción: 15 °C DB - 27 °C DB

\*1 La capacidad del modo refrigeración/calefacción indica el valor máximo del funcionamiento bajo las siguientes condiciones.

Refrigeración: 27 °C DB/19 °C WB Interior, 35 °C DB Exterior

Calefacción: 20 °C DB Interior, 7 °C DB/6 °C WB Exterior

1. Misure di sicurezza .....	97	7. Altre funzioni .....	106
2. Nomenclatura delle parti .....	98	8. Selezione delle funzioni .....	107
3. Configurazione schermo .....	101	9. Funzionamento d'emergenza per il telecomando senza fili ...	111
4. Impostazione del giorno della settimana e dell'ora .....	101	10. Cura e pulizia .....	111
5. Funzionamento .....	101	11. Ricerca dei guasti .....	113
6. Timer .....	103	12. Specifiche tecniche .....	115

**Questo simbolo è destinato solo ai paesi dell'UE.**



Fig.1

**Il presente simbolo è conforme alla direttiva 2002/96/CE, Articolo 10 Informazione degli utenti e Allegato IV, e/o alla direttiva 2006/66/CE, Articolo 20 Informazioni per gli utilizzatori finali e Allegato II.**

Questo prodotto MITSUBISHI ELECTRIC è stato progettato e fabbricato con materiali e componenti di alta qualità, che possono essere riciclati e/o riutilizzati. Questo simbolo significa che i prodotti elettrici ed elettronici, le batterie e gli accumulatori, devono essere smaltiti separatamente dai rifiuti casalinghi alla fine della loro vita di servizio. Se sotto il simbolo (Fig.1) è stampato un simbolo chimico, il simbolo chimico significa che la batteria o l'accumulatore contiene un metallo pesante con una certa concentrazione. Ciò viene indicato come segue: Hg: mercurio (0,0005%), Cd: cadmio (0,002%), Pb: piombo (0,004%)

Nell'Unione Europea ci sono sistemi di raccolta differenziata per i prodotti elettrici ed elettronici, le batterie e gli accumulatori usati. Per disfarsi di questo prodotto, delle batterie e degli accumulatori, portarli al centro locale di raccolta/riciclaggio dei rifiuti. Aiutateci a conservare l'ambiente in cui viviamo!

**Nota:**

Nel presente manuale d'uso la locuzione "comando a distanza con filo" fa riferimento al dispositivo PAR-21MAA. Per informazioni relative all'altro comando a distanza, consultare il manuale di istruzioni accluso a questa confezione.

## 1. Misure di sicurezza

- ▶ Leggere attentamente la sezione "Misure di sicurezza" prima di far funzionare l'unità.
- ▶ La sezione "Misure di sicurezza" contiene informazioni importanti sulla sicurezza di funzionamento dell'unità. Accertarsi che vengano seguite perfettamente.
- ▶ Prima di collegare l'equipaggiamento alla rete di alimentazione, contattare o chiedere l'autorizzazione dell'autorità competente.

### Simboli utilizzati nel testo

⚠ **Avvertenza:**

Descrive le precauzioni da prendere per evitare il rischio di lesioni, anche mortali, per l'utente.

⚠ **Cautela:**

Descrive le precauzioni da prendere per evitare il danneggiamento dell'unità.

### Simboli utilizzati nelle illustrazioni

⚡ : Indica la necessità di collegare un componente a massa.

⚠ **Avvertenza:**

- Questi apparecchi non sono accessibili al pubblico generale.
- L'unità non deve essere installata dall'utente. Richiedere al distributore o ad una società autorizzata di installare l'unità. S l'unità non è installata correttamente, vi è il rischio di perdite d'acqua, di scosse elettriche o di incendio.
- Non salire e non appoggiare alcun oggetto sull'unità.
- Non spruzzare acqua sull'unità e non toccarla con le mani bagnate. Ciò può provocare una scossa elettrica.
- Non spruzzare gas combustibile nei pressi dell'unità, per evitare il rischio di un incendio.
- Non piazzare un riscaldatore a gas o qualsiasi altro apparecchio a fiamma aperta in un luogo esposto all'aria scaricata dall'unità. Ciò può essere alla base di una combustione incompleta.
- Non rimuovere il pannello anteriore o la griglia di protezione del ventilatore dalla sezione esterna durante il funzionamento dell'unità.
- Non riparare mai l'unità o trasferirla in un altro luogo da soli.
- Qualora vengano notati rumori o vibrazioni di intensità eccezionale, arrestare il funzionamento, spegnere l'unità e contattare il proprio rivenditore.
- Non inserire le dita, oggetti appuntiti, ecc, nei fori di entrata o di uscita dell'unità.
- In presenza di odori particolari, arrestare il funzionamento dell'unità, spegnere l'interruttore di alimentazione e contattare il proprio distributore. Ciò per evitare un'interruzione di corrente, una scossa elettrica od un incendio.

⚠ **Cautela:**

- Non usare alcun oggetto appuntito per premere i pulsanti, in modo da non danneggiare il comando a distanza.
- Non bloccare o coprire gli ingressi o le uscite interni od esterni dell'unità.
- Non utilizzare panni imbevuti di benzene o altri diluenti chimici per pulire il regolatore a distanza.
- Non utilizzare l'unità per molto tempo in condizioni di alta umidità, ad esempio lasciando una porta o una finestra aperta. In modalità di raffreddamento, se l'unità viene utilizzata in una stanza molto umida, (80% di u.r. o più) per un periodo di tempo prolungato, l'acqua che si condensa nell'unità potrebbe gocciolare e bagnare mobili, tappeti, ecc.

- Il climatizzatore NON può essere usato da bambini o persone inferme proprio rivenditore. senza la sorveglianza appropriata.
- È opportuno sorvegliare i bambini piccoli affinché non giochino con il climatizzatore.
- In caso di fuoriuscita del gas refrigerante, arrestare il funzionamento dell'unità, ventilare completamente la stanza e contattare il proprio rivenditore.
- Questo apparecchio non è destinato a essere utilizzato da persone (compresi i minori) con capacità fisiche, sensoriali o mentali ridotte o esperienza e conoscenza carenti, salvo in caso di supervisione o istruzioni sull'uso dell'apparecchio da parte di una persona responsabile della loro sicurezza.
- Durante l'installazione o il trasloco, o quando si sottopone ad assistenza il condizionatore d'aria, utilizzare solo il refrigerante specificato (R410A) per ricaricare i tubi del refrigerante. Non mescolarlo con nessun altro tipo di refrigerante e non consentire all'aria di restare all'interno dei tubi. Qualora dell'aria si mescoli con il refrigerante, potrebbe far innalzare in modo anomalo la pressione nel tubo del refrigerante, il che potrebbe provocare un'esplosione o altri pericoli. L'uso di refrigeranti diversi da quello specificato per il sistema provocherà guasti meccanici, malfunzionamenti del sistema o la rottura dell'unità. Nel peggiore dei casi, questo potrebbe impedire seriamente di garantire la messa in sicurezza del prodotto.

- Durante il funzionamento, non toccare l'aletta di uscita aria superiore o il deflettore di uscita aria inferiore. In caso contrario, può formare della condensa e l'unità potrebbe smettere di funzionare.

### Eliminazione dell'unità

Se occorre eliminare l'unità, contattare il proprio distributore.

## 2. Nomenclatura delle parti

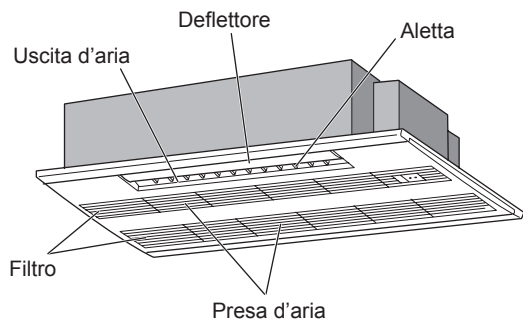
### ■ Unità interna

		PKFY-P-VBM-E	PKFY-P-VHM-E	PCFY-P-VKM-E	PMFY-P-VBM-E	PFFY-P-VKM-E(2)
Velocità ventilatore		4 velocità	3 velocità + Auto*	4 velocità + Auto*	4 velocità	4 velocità
Deflet-tore	Fasi	4 livelli	5 livelli	5 livelli	4 livelli	4 livelli
	Oscillazione automatica	×	○	○	○	○
Aletta		Manuale	Manuale	Manuale	Manuale	Manuale
Filtro		Normale	Normale	Lunga durata	Normale	Normale
Indicazione di pulizia filtro		100 ore	100 ore	2,500 ore	100 ore	100 ore

\* Questa funzione è disponibile solo utilizzando il telecomando, in grado di impostare la velocità di ventilazione su modalità "Auto".

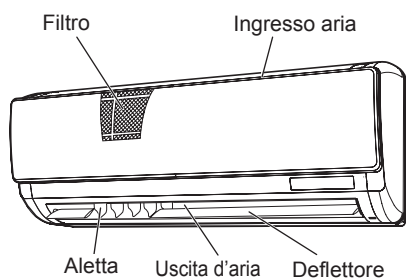
### ■ PMFY-P-VBM-E

Cassetta a 1 vie per installazione a soffitto



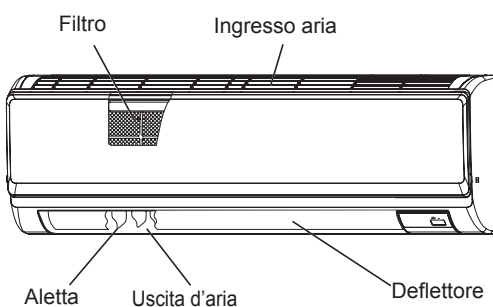
### ■ PKFY-P-VBM-E

A parete



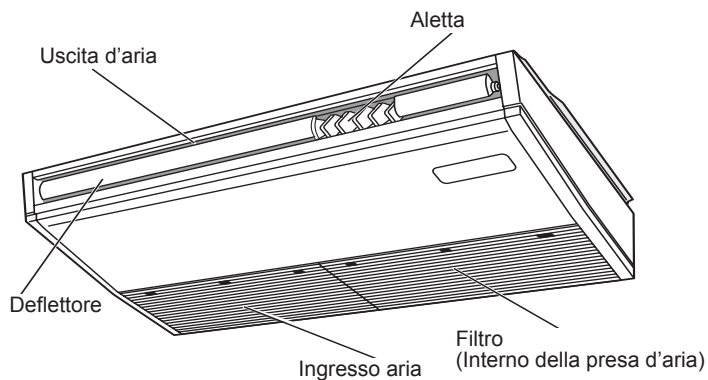
### ■ PKFY-P-VHM-E

A parete



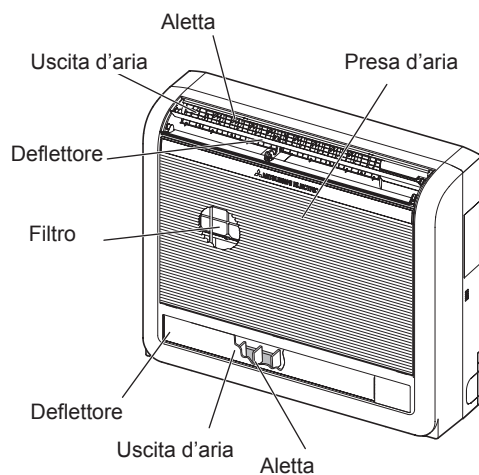
### ■ PCFY-P-VKM-E

Pensile a soffitto



### ■ PFFY-P-VKM-E(2)

Da pavimento



## 2. Nomenclatura delle parti

### ■ Per il regolatore a distanza con fili

#### Sezione display

Ai fini di questa spiegazione, vengono mostrati tutti gli elementi del display. Durante il normale funzionamento, verranno visualizzati soltanto gli elementi appropriati.

#### Identifica la modalità di funzionamento corrente

Visualizza la modalità di funzionamento, ecc.  
\* È supportato il display multilingue.

#### Indicatore "Centrally controlled"

Indica che il funzionamento del telecomando è stato disattivato da un dispositivo di controllo master.

#### Indicatore "Timer Is Off"

Indica che il timer è spento.

#### Impostazione temperatura

Visualizza la temperatura di riferimento.

#### Sezione di controllo

Pulsanti per l'impostazione della temperatura

- ▽ Giù
- △ Su

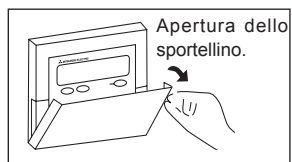
Pulsante "Timer menu"  
(Pulsante "Monitor/Set")

Pulsante "Mode"  
(Pulsante "Return")

Pulsanti per l'impostazione dell'ora

- ▽ Avanti
- △ Indietro

Pulsante "Timer On/Off"  
(Pulsante "Set Day")

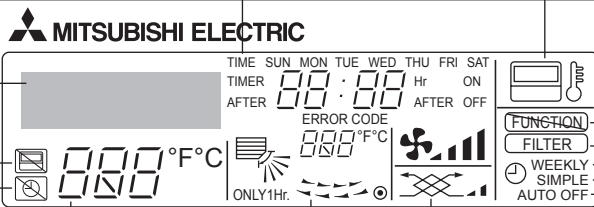


#### Giorno della settimana

Visualizza il giorno corrente della settimana.

#### Display ora/timer

Visualizza l'ora corrente, a meno che non sia impostato il timer semplice o di arresto automatico. Se è impostato il timer semplice o di arresto automatico viene visualizzato il tempo rimanente.



#### Indicatore "Up/Down Air Direction"

L'indicatore visualizza la direzione del flusso d'aria in uscita.

#### Indicatore "One Hour Only"

Viene visualizzato se il flusso d'aria è impostato per essere ridotto e direzionato verso il basso in modalità COOL (Raffreddamento) o DRY (Deumidificazione). (Il funzionamento varia a seconda del modello). L'indicatore si spegne dopo un'ora, e al suo spegnimento cambia anche la direzione del flusso d'aria.

#### Display Temperatura ambiente

Visualizza la temperatura ambiente. La gamma di visualizzazione della temperatura ambiente è 8 - 39 °C. Se la temperatura è inferiore a 8 °C o superiore a 39 °C, il display lampeggia.

#### Display deflettore

Indica l'azione del deflettore. Non viene visualizzato se il deflettore è fermo.

#### ● (Indicatore "Power on")

Indica l'accensione dell'apparecchio.

#### Indicatore "Sensore"

Visualizzata quando il sensore telecomando viene utilizzato.

#### Indicatore "Locked"

Segnala che i tasti del telecomando sono stati bloccati.

#### Indicatore "Clean The Filter"

Si accende quando è richiesta una pulizia del filtro.

#### Indicatori del timer

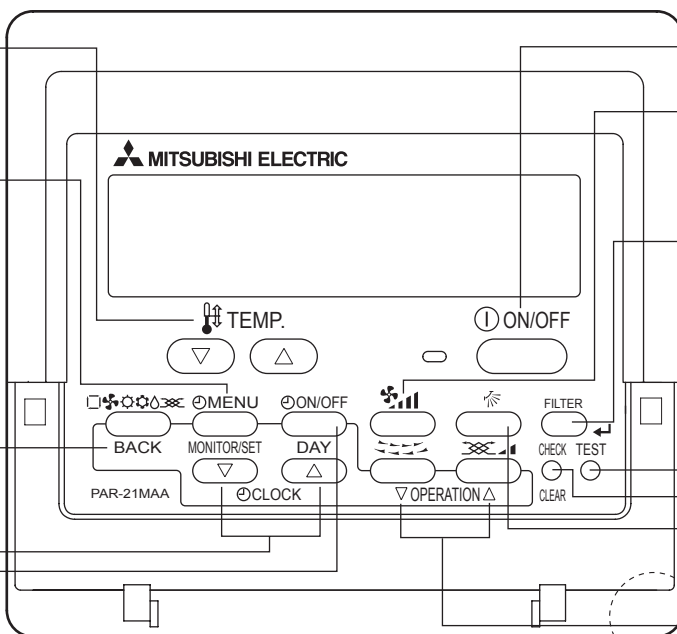
L'indicatore si accende se è impostato il timer corrispondente.

#### Indicatore "Fan Speed"

Visualizza la velocità selezionata per la ventola.

#### Indicatore "Ventilation"

Viene visualizzato quando l'unità funziona in modalità di Ventilazione.



Pulsante "ON/OFF"

Pulsante "Fan Speed"

Pulsante "Filter" (pulsante "←")

Pulsante "Test Run"

Pulsante "Check" (Pulsante "Clear")

Pulsante "Airflow Up/Down"

Pulsante "Louver" (Pulsante "Operation" ▽)

▽ Al numero di operazione precedente.

Pulsante "Ventilation" (Pulsante "Operation" △)

△ Al numero di operazione successivo.

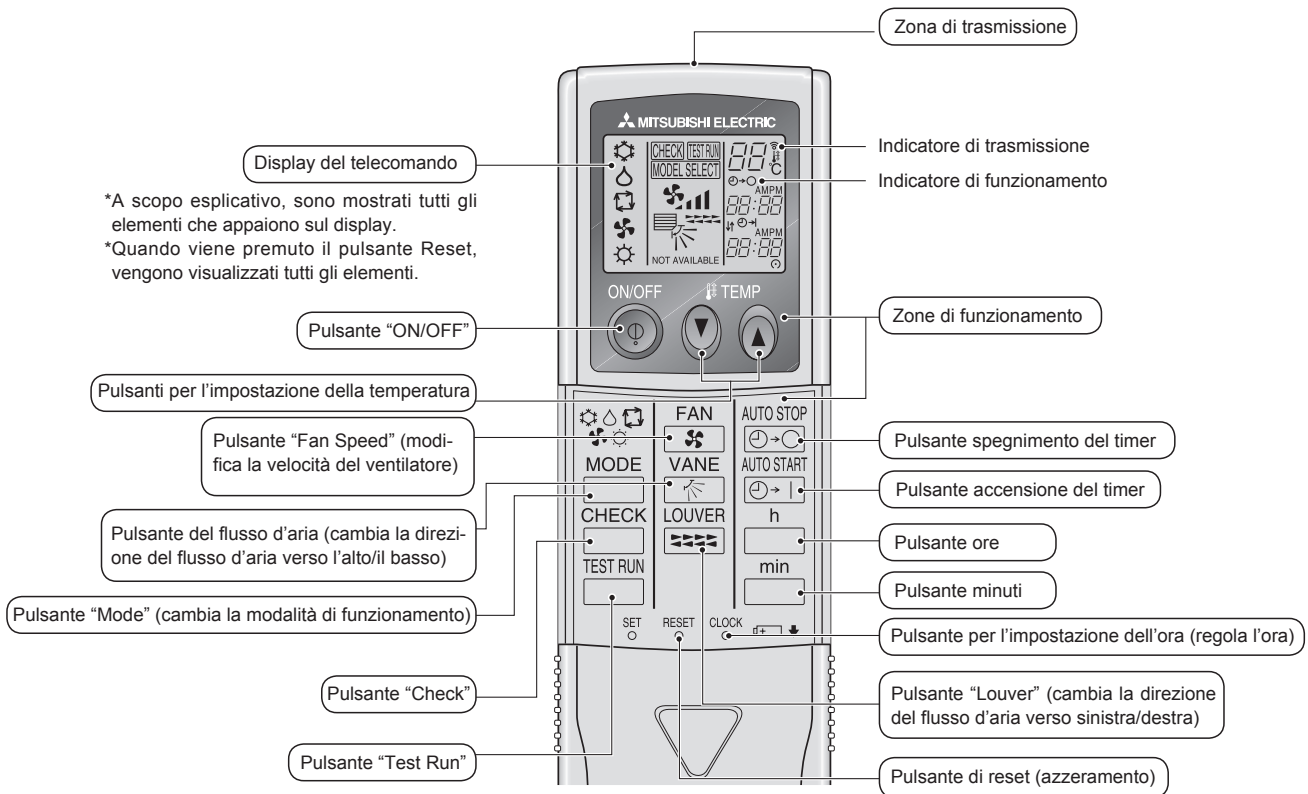
Sensore di temperatura incorporato

#### Nota:

- Messaggio "PLEASE WAIT" (attendere prego)  
Questo messaggio appare per circa 3 minuti quando l'unità interna viene alimentata o quando l'unità riprende a funzionare dopo un'interruzione di corrente.
- Display lampeggiante della modalità operativa  
Quando più unità interne vengono collegate a una sola unità esterna, e per un'unità interna viene selezionata una modalità operativa diversa da quella attuale di un'altra unità interna, il display della modalità operativa lampeggia. Selezionare la stessa modalità operativa dell'altra unità interna
- Messaggio "NOT AVAILABLE" (non disponibile)  
Questo messaggio compare se è stato premuto il pulsante di attivazione di una funzione di cui l'unità non dispone.  
Quando si utilizza lo stesso regolatore a distanza per gestire più unità interne, viene visualizzato questo messaggio se l'unità interna principale non è dotata della funzione selezionata.
- Display della temperatura ambiente  
Per misurare la temperatura ambiente è possibile utilizzare i sensori della temperatura dell'unità interna o il sensore della temperatura del regolatore a distanza. Come impostazione iniziale sono selezionati i sensori della temperatura dell'unità interna. Quando per misurare la temperatura ambiente vengono selezionati i sensori della temperatura dell'unità interna, sul regolatore a distanza che gestisce più unità interne viene visualizzata la temperatura ambiente misurata sull'unità interna principale.

## 2. Nomenclatura delle parti

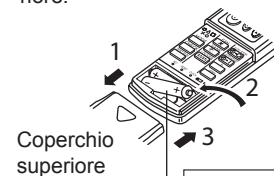
### ■ Per il regolatore a distanza senza fili



- Quando si utilizza il telecomando senza fili, puntarlo verso il ricevitore dell'unità interna.
- Se si aziona il telecomando entro circa due minuti dall'accensione dell'unità interna, l'unità potrebbe emettere due segnali acustici per segnalare che è occupata ad eseguire il controllo automatico iniziale.
- L'unità interna emette i segnali sonori per confermare la ricezione del segnale trasmesso dal telecomando. L'unità interna può ricevere segnali entro un raggio di circa 7 metri in linea diretta ad un'angolazione di circa 45° verso sinistra e verso destra. Tuttavia, la presenza di luci fluorescenti ed altre luci intense può compromettere la capacità di ricezione dei segnali dell'unità interna.
- Se la spia di funzionamento accanto al ricevitore dell'unità interna lampeggia, è necessario sottoporre l'unità a un controllo. Rivolgersi al rivenditore per l'assistenza.
- Maneggiare il telecomando con cura! Non farlo cadere né sottoporlo a forti urti. Fare inoltre attenzione a non bagnare il telecomando e a non lasciarlo in luoghi molto umidi.
- Per evitare di lasciare il telecomando in luoghi inadatti, montare alla parete il supporto fornito con il telecomando e ricordare di inserire sempre il telecomando nel supporto dopo l'uso.

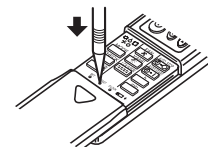
### Installazione/sostituzione delle batterie

1. Togliere il coperchio superiore, inserire due batterie AAA e rimettere il coperchio superiore.



Due batterie AAA  
Inserire prima l'estremità negativa (-) di ciascuna delle batterie. Inserire le batterie nelle direzioni giuste (+, -)!

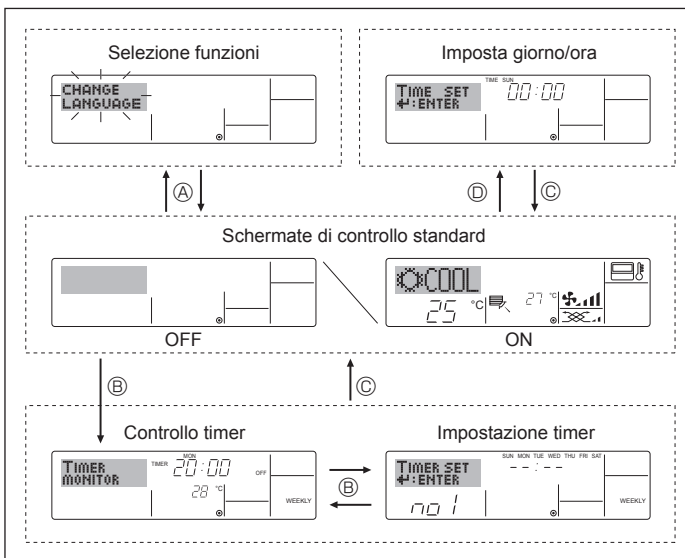
2. Premere il pulsante Reset.



Premere il pulsante Reset con un oggetto dall'estremità appuntita.



### 3. Configurazione schermo



#### <Tipi di schermate>

Per la lingua del display è possibile impostare l'italiano utilizzando la selezione della funzione del telecomando. Per modificare la lingua, vedere la sezione 8, elemento [4]-1.

L'impostazione iniziale è inglese.

- **Selezione funzioni:** Impostazione delle funzioni e degli intervalli disponibili sul telecomando (funzioni del timer, limitazioni di funzionamento, ecc.)

- **Imposta giorno/ora:** Impostazione del giorno corrente della settimana.

- **Schermate di controllo standard:**

Visualizzazione e impostazione dello stato di funzionamento dell'impianto di condizionamento

- **Controllo timer:** Visualizzazione del timer correntemente impostato (timer settimanale, timer semplice, o timer di arresto automatico)

- **Impostazione timer:** Impostazione del funzionamento di qualsiasi timer (timer settimanale, timer semplice, o timer di arresto automatico)

#### <Come modificare la schermata>

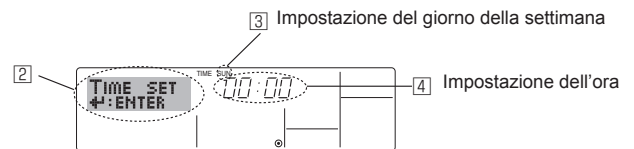
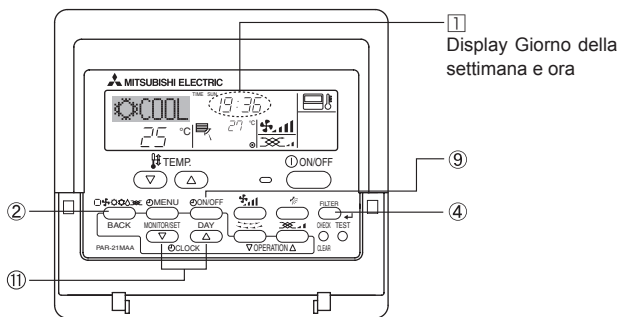
Per andare su (A) : Tenere premuti per 2 secondi il pulsante "Mode" e il pulsante "Timer On/Off".

Per andare su (B) : Premere il pulsante "Timer Menu".

Per andare su (C) : Premere il pulsante "Mode" ("Return").

Per andare su (D) : Premere uno dei due pulsanti "Set Time" (∇ o Δ).

### 4. Impostazione del giorno della settimana e dell'ora



1. Premere il pulsante "Set Time" ∇ o Δ ① per visualizzare il display ②.

2. Premere il pulsante "Timer On/Off" (Set Day) ③ per impostare il giorno.

\* Ad ogni pressione del pulsante si passa al giorno successivo a quello visualizzato in ③ : Dom → Lun → ... → Ven → Sab.

3. Premere il pulsante "Set Time" appropriato ① per regolare l'ora nel modo desiderato.

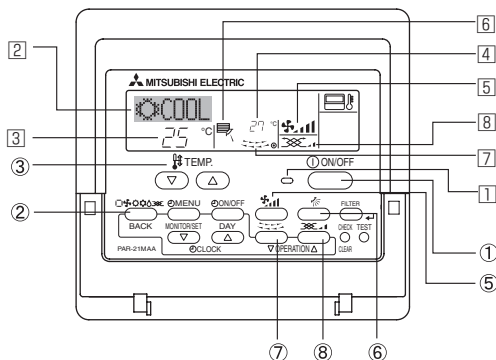
\* Tenendo premuto il pulsante, l'ora ④ aumenterà prima ad intervalli di un minuto, poi ad intervalli di dieci minuti, quindi ad intervalli di un'ora.

4. Dopo aver effettuato le impostazioni appropriate ai passaggi 2 e 3 premere il pulsante ④ "Filter" ← per confermare i valori.

#### Nota:

Il giorno e l'ora non saranno visualizzati se in Selezione funzioni è stato disattivato l'uso dell'orologio.

### 5. Funzionamento



#### 5.1. Accensione/Spegnimento

##### <Per avviare il funzionamento>

- Premere il pulsante "ON/OFF" ①.

- L'indicatore ON [ ] e l'area display sono illuminate.

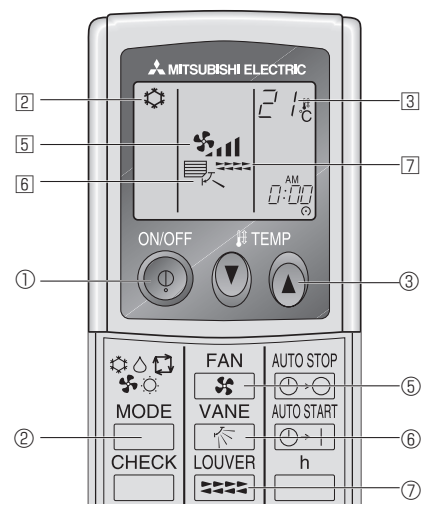
#### Nota:

- Quando si riavvia l'unità, sono attive le seguenti impostazioni.

Impostazioni del telecomando		
Modalità	Ultima impostazione	
Impostazione della temperatura	Ultima impostazione	
Velocità della ventola	Ultima impostazione	
Flusso d'aria verso l'alto/il basso	Modalità	
	HEAT	Uscita orizz. *1
	FAN	Ultima impostazione *2

\*1 L'ultima impostazione potrà essere applicata in funzione del tipo di unità interna.

\*2 Nel caso in cui l'ultima impostazione regolata sia su oscillante, il flusso d'aria potrebbe essere al livello 4 verso il basso a seconda del tipo di unità interna.



#### <Interrompere il funzionamento>

- Premere nuovamente il pulsante "ON/OFF" ①.

- L'indicatore ON [ ] e l'area display si spegneranno.

#### Nota:

Anche se viene premuto il pulsante ON/OFF immediatamente dopo lo spegnimento dell'unità, il condizionatore non si avvierà durante tre minuti. Ciò serve ad evitare che i componenti interni rimangano danneggiati.

## 5. Funzionamento

### 5.2. Selezione della modalità

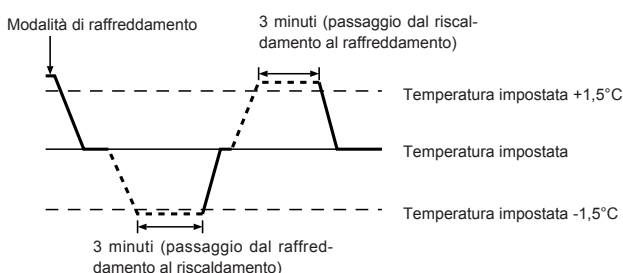
■ Premere il pulsante della modalità di funzionamento (☐☼☼☼☼) ② e selezionare la modalità desiderata ②.

- ☼ Modalità di raffreddamento
- ☼ Modalità di deumidificazione
- ☼ Modalità di ventilazione
- ☼ Modalità di riscaldamento
- ☐ Modalità automatica (raffreddamento/riscaldamento)

#### Funzionamento automatico

■ Sulla base della temperatura impostata, se la temperatura ambiente è troppo alta si avvia il funzionamento in raffreddamento; se è invece troppo bassa, si avvia il funzionamento in riscaldamento.

■ Durante il funzionamento automatico, se la temperatura ambiente cambia e per 3 minuti supera di almeno 1,5 °C la temperatura impostata, il condizionatore passa al modo raffreddamento. Analogamente, se la temperatura ambiente resta per 3 minuti inferiore di almeno 1,5 °C alla temperatura impostata, il condizionatore passa al modo riscaldamento.



■ Poiché la temperatura ambiente viene automaticamente regolata in modo da mantenere costante una temperatura prestabilita, al raggiungimento della temperatura prestabilita il raffreddamento viene eseguito con qualche grado in più ed il riscaldamento con qualche grado in meno rispetto alla temperatura ambiente impostata (funzionamento in risparmio energia automatico).

### 5.3. Impostazione della temperatura

#### ► Per abbassare la temperatura della stanza:

Premere il pulsante (☼) ③ per impostare la temperatura desiderata. Verrà visualizzata la temperatura selezionata ③.

#### ► Per aumentare la temperatura della stanza:

Premere il pulsante (☼) ③ per impostare la temperatura desiderata. Verrà visualizzata la temperatura selezionata ③.

• I campi di valori della temperatura disponibili sono:

- Raffreddamento e deumidificazione: 19 - 30 °C
- Riscaldamento: 17 - 28 °C
- Automatico: 19 - 28 °C

• Sul display lampeggia 8 °C o 39 °C per informare l'utente se la temperatura della stanza sia inferiore o superiore a quella visualizzata.

### 5.4. Impostazione della velocità ventilatore

■ Premere il pulsante "Fan Speed" ⑤ il numero di volte necessario qua do l'impianto è in funzione.

- Ad ogni pressione sarà modificata la potenza. La velocità correntemente selezionata è illustrata in ⑤.
- Di seguito sono riportate le sequenze di cambiamento e le impostazioni disponibili.

Velocità ventilatore	Display
4 velocità + Auto*	Velocità 1 → Velocità 2 → Velocità 3 → Velocità 4 → Auto
3 velocità + Auto*	Velocità 1 → Velocità 2 → Velocità 3 → Auto
Modello a 4 velocità	Velocità 1 → Velocità 2 → Velocità 3 → Velocità 4

\* Solo per telecomando MA. Il telecomando wireless richiede l'impostazione della modalità automatica della velocità di ventilazione.

#### Nota:

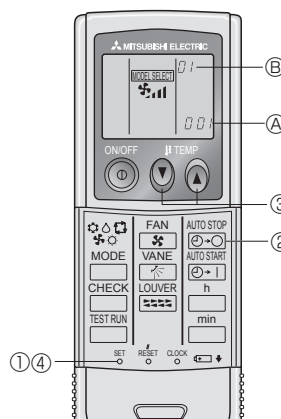
- Il numero di velocità ventola disponibili dipende dal tipo di unità collegata. Tenere presente anche che su alcune unità non è disponibile l'impostazione "Auto".
- Nei seguenti casi, la velocità effettiva della ventola generata dall'unità sarà diversa dalla velocità visualizzata sul display del telecomando.
  1. Quando sul display sono visualizzati i messaggi "STAND BY" o "DEFROST" (SBRINAMENTO).
  2. Quando la temperatura dello scambiatore di calore è bassa nel modo riscaldamento (ad es. subito dopo l'avvio del funzionamento in riscaldamento)
  3. Nella modalità HEAT (Riscaldamento), quando la temperatura ambiente è superiore a quella impostata.
  4. Quando sull'unità è attiva la modalità DRY (deumidificazione).

#### ■ Impostazione della velocità automatica della ventola (per comando a distanza senza fili)

È necessario impostare il comando a distanza senza fili solo quando la velocità automatica della ventola non è stata impostata in fabbrica.

Per impostazione predefinita, non è necessario impostare la velocità automatica della ventola dal comando a distanza con fili.

- ① Premere il tasto SET con un oggetto appuntito. Eseguire questa operazione con il comando a distanza spento. **MODEL SELECT** lampeggia e viene visualizzato il numero del modello ④.
- ② Premere il tasto AUTO STOP (☼) ②. **FAN** lampeggia e viene visualizzato il numero di impostazione ③. (Numero di impostazione 01: senza velocità automatica della ventola)
- ③ Premere i tasti della temperatura. (☼) (☼) per impostare il numero di impostazione 02. (Numero di impostazione 02: con velocità automatica della ventola) Se si sbaglia l'operazione, premere il tasto ON/OFF (☼) ed eseguire di nuovo la procedura dal punto ②.
- ④ Premere il tasto SET con un oggetto appuntito. Vengono visualizzati per 3 secondi **MODEL SELECT** e il numero di modello, quindi scompaiono.



### 5.5. Impostazione della direzione del flusso d'aria

#### <Per modificare la direzione verso l'alto/il basso del flusso d'aria>

- Quando l'unità è in funzione, premere il pulsante "Airflow Up/Down" ⑥ il numero di volte necessario.
  - Ad ogni pressione sarà modificata la direzione. La direzione attualmente impostata è visualizzata in ⑥.
  - Di seguito sono riportate le sequenze di cambiamento e le impostazioni disponibili.

flusso d'aria	Display
Modello a 5 livelli *1	Oscillazione Auto 1 2 3 4 5 → [Icona] → [Icona] → [Icona] → [Icona] → [Icona]
Modello a 4 livelli (PMFY)	Oscillazione (Oriz.) 1 2 3 4 → [Icona] → [Icona] → [Icona] → [Icona]
Modello a 4 livelli (PKFY-BM)	1 (Oriz.) 2 3 4 → [Icona] → [Icona] → [Icona] → [Icona]

\* Tenere presente che durante l'oscillazione, l'indicazione direzionale sulla schermata non viene modificata in sincronia con la posizione dei deflettori sull'unità.

\* Alcuni modelli non supportano le impostazioni direzionali.

\*1 Soltanto per il comando a distanza MA, gli altri comandi a distanza hanno lo stesso display del modello a 4 livelli.

\*2 Impostazione della direzione del flusso d'aria <Auto> COOL/FAN/DRY : Impostazione 1 (Orizzontale), HEAT : Impostazione 5 (Verso il basso 5)

## 5. Funzionamento

### Nota:

- Le direzioni disponibili dipendono dal tipo di unità collegata. Tenere presente anche che su alcune unità non è disponibile l'impostazione "Auto".
- Nei seguenti casi, la direzione effettiva dell'aria sarà diversa da quella indicata sul display del telecomando.
  1. Quando sul display sono visualizzati i messaggi "STAND BY" o "DEFROST" (SBRINAMENTO).
  2. Subito dopo aver avviato la modalità di riscaldamento (quando il sistema è in attesa dell'attivazione della nuova modalità).
  3. Nella modalità di riscaldamento, quando la temperatura ambiente è superiore a quella impostata.

### (Per la serie PFFY-P-VKM)

- Per la serie PFFY-P-VKM, la direzione del flusso d'aria indicata sul telecomando è diversa dall'effettiva direzione del flusso d'aria. Consultare la tabella seguente.

Display	Oscillazione 1 (Oriz.) 2 3 4
Effettiva	Oscillazione 1 2 3 4 (Oriz.)

- Non è possibile regolare la direzione del deflettore di uscita aria inferiore. La direzione del flusso d'aria è controllata automaticamente da un computer.

## 6. Timer

### 6.1. Per il regolatore a distanza con fili

Si può usare la Selezione funzioni per scegliere quale utilizzare tra i tre tipi di timer: ① Timer settimanale, ② Timer semplice, o ③ Timer di arresto automatico.

#### 6.1.1. Timer settimanale

■ Il timer settimanale può essere utilizzato per impostare un massimo di otto operazioni per ciascun giorno della settimana.

- Si può scegliere tra le seguenti operazioni: Accensione/arresto timer con impostazione della temperatura, solo Accensione/arresto timer, oppure solo Impostazione della temperatura.
- Quando viene raggiunto l'orario impostato per il timer, il condizionatore d'aria esegue l'azione impostata dal timer.

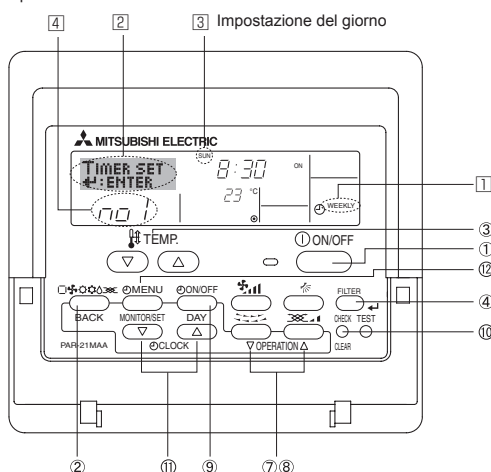
■ La risoluzione per l'impostazione di questo timer è di 1 minuto.

### Nota:

1. Il Timer settimanale/Timer semplice/Timer di arresto automatico non possono essere usati contemporaneamente.
2. Il timer settimanale non funzionerà in presenza di una qualsiasi delle seguenti condizioni:

La funzione timer è disattivata; il sistema presenta malfunzionamenti; un ciclo di prova è in esecuzione; il telecomando è sottoposto a un ciclo di verifica o autoverifica; l'utente sta impostando una funzione; l'utente sta impostando il timer; l'utente sta impostando il giorno della settimana o l'ora; il sistema è sottoposto a controllo centrale. (In particolare, il sistema non eseguirà operazioni (accensione unità, spegnimento unità o impostazione della temperatura) disabilitate in queste condizioni).

N. operazione



### <[Manuale] Per modificare la direzione del flusso d'aria (destra/sinistra)>

- \* Non è possibile utilizzare il pulsante per regolare la direzione delle alette.
  - Spegnere l'unità e regolare l'aletta nella direzione desiderata usando la leva apposita.
  - \* Non impostare la direzione del flusso d'aria verso l'interno quando l'unità è in modalità di raffreddamento o deumidificazione. Ciò potrebbe provocare fenomeni di condensazione e perdita d'acqua.



### ⚠ Cautela:

Quando si esegue l'operazione descritta sopra, occorre prendere tutte le precauzioni necessarie per evitare di cadere.

## 5.6. Ventilazione

### ► Per la combinazione LOSSNAY

#### 5.6.1. Per il regolatore a distanza con fili

- Per far funzionare il ventilatore insieme all'unità interna:
  - Premere il pulsante "ON/OFF" ①.
  - L'indicatore "Vent" viene visualizzato sullo schermo (in ⑧). Ora il ventilatore si attiverà automaticamente ogni volta che l'unità interna è in funzione.
- Per far funzionare il ventilatore soltanto quando l'unità interna è spenta:
  - Premere il pulsante "Ventilation" ② quando l'unità interna è spenta.
  - L'indicatore "On" (in ①) e l'indicatore "Ventilation" (in ⑧) si accendono.
- Per modificare la potenza del ventilatore:
  - Premere il pulsante "Ventilation" ③ secondo necessità.
  - Ad ogni pressione vengono attivate in sequenza le seguenti impostazioni.



### Nota:

- In alcuni modelli, la ventola dell'unità interna può accendersi anche quando si imposta il funzionamento autonomo del ventilatore.

### <Come impostare il timer settimanale>

1. Assicurarsi che sia visualizzata la schermata di controllo standard e che l'indicatore corrispondente al timer settimanale ① sia visualizzato sul display.
  2. Premere il pulsante "Timer Menu" ② per visualizzare il messaggio "Set Up" sullo schermo (in ②). (Tenere presente che ad ogni pressione del pulsante sul display si alterneranno i messaggi "Set Up" e "Monitor".)
  3. Premere il pulsante "Timer On/Off (Set Day)" ③ per impostare il giorno. Ad ogni pressione del pulsante in ③ viene visualizzata l'impostazione successiva, in base alla seguente sequenza: "Dom Lun Mar Mer Gio Ven Sab" → "Dom" → ... → "Ven" → "Sab" → "Dom Lun Mar Mer Gio Ven Sab"...
  4. Premere il pulsante "Operation" ▽ o △ (⑦ o ⑧) il numero di volte necessario per selezionare il numero di operazione desiderato (da 1 a 8) ④.
- \* Con le scelte effettuate ai passaggi 3 e 4 si selezionerà una delle celle della matrice illustrata di seguito.
- (Il display del telecomando illustrato a sinistra mostra l'aspetto del display quando si imposta l'Operazione 1 per Domenica con i valori riportati di seguito).

#### Matrice di impostazione

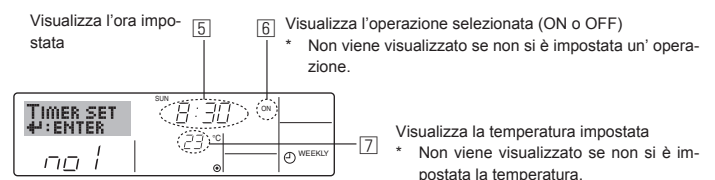
N. op.	Sunday	Monday	...	Saturday
No. 1	• 8:30 • ON • 23 °C			
No. 2	• 10:00 • OFF	• 10:00 • OFF	• 10:00 • OFF	• 10:00 • OFF
...				
No. 8				

<Impostazioni Operazione 1 per Domenica> Avviare il condizionatore alle 8:30, ad una temperatura di 23 °C.

<Impostazioni Operazione 2 per tutti i giorni> Spegnere il condizionatore alle 10:00.

### Nota:

Impostando come giorno "Dom Lun Mar Mer Gio Ven Sab", si può fare in modo che la stessa Operazione sia eseguita ogni giorno alla stessa ora. (Esempio: L'Operazione 2 descritta in precedenza, uguale per tutti i giorni della settimana).



## 6. Timer

### <Impostazione del timer settimanale>

5. Premere il pulsante "Set Time" ⑩ appropriato fino a impostare l'ora desiderata (in ⑤).
  - \* Tenendo premuto il pulsante, l'ora aumenta prima ad intervalli di un minuto, poi ad intervalli di dieci minuti, e quindi ad intervalli di un'ora.
6. Premere il pulsante "ON/OFF" ① per selezionare l'operazione desiderata (ON o OFF) in ⑥.
  - \* Ad ogni pressione del pulsante si passa all'impostazione successiva, in base alla seguente sequenza: nessun display (nessuna impostazione) → "ON" → "OFF"
7. Premere il pulsante "Set Temperature" ③ appropriato fino a impostare la temperatura desiderata (in ⑦).
  - \* Ad ogni pressione del pulsante si passa all'impostazione successiva, in base alla seguente sequenza: nessun display (nessuna impostazione) ↔ 24 ↔ 25 ↔ ... ↔ 29 ↔ 30 ↔ 12 ↔ ... ↔ 23 ↔ nessun display.
  - (Intervallo disponibile: L'intervallo disponibile per questa impostazione è compreso tra 12 °C e 30 °C. Tuttavia l'intervallo effettivo per il controllo della temperatura varia a seconda del tipo di unità collegata).
8. Dopo aver effettuato le impostazioni appropriate ai passaggi 5, 6 e 7, premere il pulsante ④ "Filter" ↵ per confermare i valori. Per cancellare i valori correntemente impostati per l'operazione selezionata, premere una volta e rilasciare rapidamente il pulsante "Check (Clear)" ⑩.
  - \* L'impostazione dell'ora visualizzata diventerà "—:—", e le impostazioni di accensione/spegnimento (on/off) e di temperatura si spegneranno. (Per annullare in una sola operazione tutte le impostazioni del timer settimanale, tenere premuto il pulsante "Check (Clear)" ⑩ per due o più secondi. Il display inizierà a lampeggiare per segnalare la cancellazione di tutte le impostazioni). Il display inizierà a lampeggiare per segnalare la cancellazione di tutte le impostazioni).

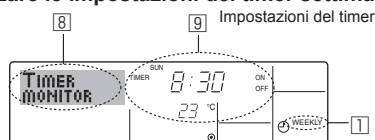
#### Nota:

Le nuove impostazioni immesse saranno cancellate se si preme il pulsante "Mode" (Return) ② prima di premere il pulsante ④ "Filter" ↵. Se si sono impostate due o più operazioni diverse per la stessa ora, sarà eseguita soltanto l'operazione corrispondente al N. Operazione più alto.

9. Ripetere i passaggi da 3 a 8 fino a riempire tutte le celle disponibili desiderate.
10. Premere il pulsante "Mode" (Return) ② per tornare alla schermata di controllo standard e completare la procedura di impostazione.
11. Per attivare il timer, premere il pulsante "Timer On/Off" ⑨ per far scomparire dallo schermo l'indicatore "Timer Off". **Assicurarsi che l'indicatore "Timer Off" non sia più visualizzato.**

\* Se non sono attive delle impostazioni del timer, l'indicatore "Timer Off" inizierà a lampeggiare sullo schermo.

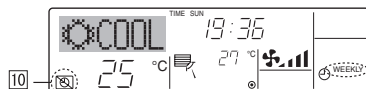
### <Come visualizzare le impostazioni del timer settimanale>



1. Assicurarsi che l'indicatore corrispondente al timer settimanale sia visibile sullo schermo (in ①).
2. Premere il pulsante "Timer Menu" ⑫ per visualizzare il messaggio "Monitor" sullo schermo (in ⑧).
3. Premere il pulsante "Timer On/Off (Set Day)" ⑨ il numero di volte necessarie per selezionare il giorno desiderato.
4. Premere il pulsante "Operation" ▽ o △ (⑦ o ⑧) per modificare l'operazione timer visualizzata sul display (in ⑨).
  - \* Ad ogni pressione del pulsante si passerà all'operazione timer successiva, seguendo l'ordine di impostazione.
5. Per chiudere il monitor e tornare alla schermata di controllo standard, premere il pulsante "Mode" (Return) ②.

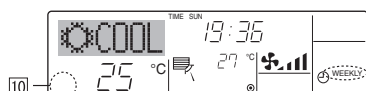
### <Per disattivare il timer settimanale>

Premere il pulsante "Timer On/Off" ⑨ per visualizzare il messaggio "Timer Off" ⑩.



### <Attivare il timer settimanale>

Premere il pulsante "Timer On/Off" ⑨ per spegnere l'indicatore "Timer Off" (in ⑩).



## 6.1.2. Timer semplice

Il timer semplice può essere impostato in uno dei tre modi seguenti.

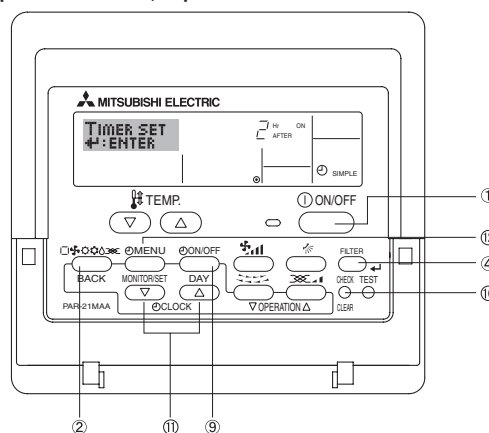
- Start time only (Solo ora di avvio): Il condizionatore d'aria si mette in funzione all'ora impostata.
- Stop time only (Solo ora di spegnimento): Il condizionatore d'aria smette di funzionare all'ora impostata.
- Start & stop times (Ore di accensione e spegnimento): Il condizionatore d'aria si avvia e si spegne agli orari rispettivamente impostati.

Il timer semplice (avvio e arresto) può essere impostato soltanto una volta nell'arco di 72 ore.

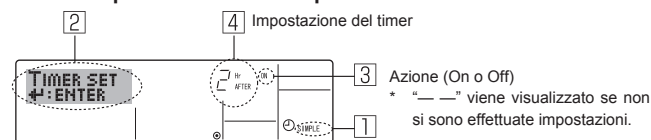
L'impostazione dell'ora viene effettuata con incrementi di un'ora.

#### Nota:

- \*1. Il Timer settimanale/Timer semplice/Timer di arresto automatico non possono essere usati contemporaneamente.
- \*2. Il timer semplice non funzionerà in presenza di una qualsiasi delle seguenti condizioni:  
Il timer è disattivato; presenza di una condizione anomala dell'impianto; è in corso un test; il telecomando sta effettuando un controllo o una diagnosi; l'utente sta selezionando una funzione; l'utente sta impostando il timer; sull'impianto è impostato il controllo centralizzato. (In presenza di queste condizioni, l'operazione "On/Off" viene disattivata).



### <Come impostare il timer semplice>



1. Assicurarsi che sia visualizzata la schermata di controllo standard e che l'indicatore corrispondente al timer semplice ① sia visualizzato sul display. Se il display visualizza informazioni diverse da Simple Timer, impostare su SIMPLE TIMER utilizzando la selezione delle funzioni (vedi 8.[4]-3 (3)) per l'impostazione della funzione timer.
2. Premere il pulsante "Timer Menu" ⑫ per visualizzare il messaggio "Set Up" sullo schermo (in ②). (Tenere presente che ad ogni pressione del pulsante sul display si alterneranno i messaggi "Set Up" e "Monitor").
3. Premere il pulsante "ON/OFF" ① per visualizzare le impostazioni correnti per l'accensione (ON) o lo spegnimento (OFF) del timer semplice. Premere una volta il pulsante per visualizzare quanto tempo rimane prima dell'accensione (ON), e premerlo nuovamente per visualizzare quanto tempo rimane prima dello spegnimento (OFF). (L'indicatore "ON/OFF" viene visualizzata in ③).
  - Timer di accensione (ON): Il condizionatore d'aria si metterà in funzione una volta trascorso il numero di ore specificato.
  - Timer di spegnimento (OFF): Il condizionatore d'aria smetterà di funzionare una volta trascorso il numero di ore specificato.
4. Con "ON" o "OFF" visualizzati in ③: Premere il pulsante "Set Time" ⑩ appropriato per impostare l'orario di accensione (se è visualizzato "ON") o l'orario di spegnimento (se in ④ è visualizzato "OFF").
  - Intervalli disponibili: da 1 a 72 ore
5. Per impostare l'orario di accensione (ON) e spegnimento (OFF), ripetere i passaggi 3 e 4.
  - \* Tenere presente che non si può impostare lo stesso valore come orario di accensione e spegnimento.
6. Per annullare le impostazioni di accensione e spegnimento correnti: Visualizzare l'impostazione di accensione (ON) o spegnimento (OFF) (v. passaggio 3) e quindi premere il pulsante "Check (Clear)" ⑩; l'impostazione dell'ora sarà cancellata e sarà visualizzato "—" in ④. (Per usare soltanto un'impostazione di accensione (ON) o spegnimento (OFF), assicurarsi che per l'impostazione che non si desidera utilizzare sia visualizzato "—" sul display).



## 6. Timer

7. Dopo aver completato i passaggi da 3 a 6, premere il pulsante ④ "Filter" ← per confermare il valore.

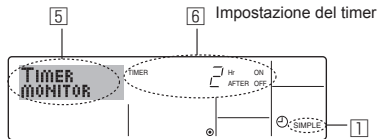
**Nota:**

Le nuove impostazioni immesse saranno cancellate se si preme il pulsante "Mode" (Return) ② prima di premere il pulsante ④ "Filter" ←.

8. Premere il pulsante ② "Mode" (Return) per tornare alla schermata di controllo standard.

9. Premere il pulsante "Timer On/Off" ⑨ per avviare il conto alla rovescia del timer. Quando il timer è in funzione, il valore del timer viene visualizzato sul display. **Assicurarsi che il valore del timer sia visibile e corretto.**

<Visualizzazione delle impostazioni correnti del timer semplice>



1. Assicurarsi che l'indicatore corrispondente al timer semplice sia visibile sullo schermo (in ①).

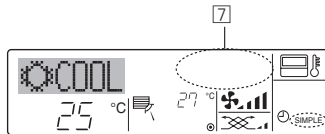
2. Premere il pulsante "Timer Menu" ② per visualizzare il messaggio "Monitor" sullo schermo (in ⑤).

- Se è in funzione il timer semplice di accensione (ON) o spegnimento (OFF), il valore del timer corrente sarà visualizzato in ⑥.
- Se si sono impostati entrambi i valori di accensione e spegnimento (ON/OFF), i due valori vengono visualizzati in sequenza.

3. Premere il pulsante "Mode" (Return) ② per chiudere il display del monitor e tornare alla schermata di controllo standard.

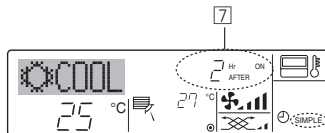
<Per disattivare il timer semplice>

Premere il pulsante "Timer On/Off" ⑨ in modo che l'impostazione timer non sia più visualizzata sullo schermo (in ⑦).



<Per avviare il timer del semplice>

Premere il pulsante "Timer On/Off" ⑨ per visualizzare l'impostazione timer in ⑦.



### Esempi

Se gli orari di accensione (ON) e spegnimento (OFF) sono stati impostati sul timer semplice, l'operazione e il display si presenteranno nel modo seguente.

**Esempio 1:**

Avvio del timer, con orario di accensione (ON) impostato prima dell'orario di spegnimento (OFF)

Impostazione di accensione (ON): 3 ore

Impostazione di spegnimento (OFF): 7 ore



All'avvio del timer  
Sul display viene visualizzata l'impostazione di accensione (ON) del timer (il numero di ore che manca all'accensione del timer).



3 ore dopo l'avvio del timer  
Sul display viene visualizzata l'impostazione di spegnimento (OFF) del timer (il numero di ore che manca allo spegnimento)  
L'ora visualizzata è l'impostazione di spegnimento (OFF - 7 ore) - di avvio (ON - 3 ore) = 4 ore.



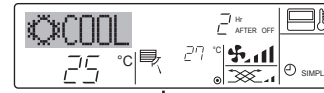
7 ore dopo l'avvio del timer  
Il condizionatore d'aria si spegne e rimane spento fino a quando qualcuno lo riaccende.

**Esempio 2:**

Avvio del timer con orario di spegnimento (OFF) impostato prima dell'orario di accensione (ON)

Impostazione di accensione (ON): 5 ore

Impostazione di spegnimento (OFF): 2 ore



All'avvio del timer  
Sul display viene visualizzata l'impostazione di spegnimento (OFF) del timer (il numero di ore che manca allo spegnimento).



3 ore dopo l'avvio del timer  
Sul display viene visualizzata l'impostazione di accensione (ON) del timer (il numero di ore che manca all'accensione).

L'ora visualizzata è l'impostazione di avvio (ON - 5 ore) - di spegnimento (OFF - 2 ore) = 3 ore.



5 ore dopo l'avvio del timer  
Il condizionatore d'aria si accende e rimane acceso fino a quando qualcuno lo spegne.

### 6.1.3. Timer di arresto automatico

■ Questo timer inizia il conto alla rovescia quando il condizionatore d'aria si mette in funzione, e lo spegne all'orario impostato.

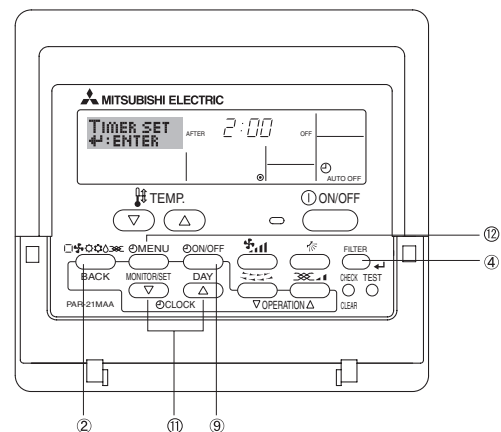
■ Le impostazioni disponibili vanno da 30 minuti a 4 ore, in intervalli di 30 minuti.

**Nota:**

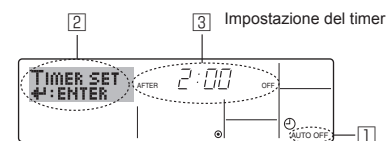
\*1. Il Timer settimanale/Timer semplice/Timer di arresto automatico non possono essere usati contemporaneamente.

\*2. Il timer di arresto automatico non funzionerà in presenza di una qualsiasi delle seguenti condizioni:

Il timer è disattivato; presenza di una condizione anomala dell'impianto; è in corso un test; il telecomando sta effettuando un controllo o una diagnosi; l'utente sta selezionando una funzione; l'utente sta impostando il timer; sull'impianto è impostato il controllo centralizzato. (In presenza di queste condizioni, l'operazione "On/Off" viene disattivata).



<Come impostare il timer di arresto automatico>



1. Assicurarsi che sia visualizzata la schermata di controllo standard e che l'indicatore corrispondente al timer di arresto automatico ① sia visualizzato sul display.

Se il display visualizza informazioni diverse da Auto Off Timer, impostare su AUTO OFF TIMER utilizzando la selezione delle funzioni (vedi 8.[4]-3 (3)) per l'impostazione della funzione timer.

2. Premere il pulsante "Timer Menu" ② per 3 secondi, fino a visualizzare il messaggio "Set Up" sullo schermo (in ②).

(Tenere presente che ad ogni pressione del pulsante sul display si alterneranno i messaggi "Set Up" e "Monitor").

3. Premere il pulsante "Set Time" ⑩ appropriato fino a impostare l'ora di spegnimento (OFF) desiderata (in ③).

4. Premere il pulsante ④ "Filter" ← per confermare le impostazioni.

**Nota:**

Le impostazioni immesse saranno cancellate se si preme il pulsante "Mode" (Return) ② prima di premere il pulsante ④ "Filter" ←.

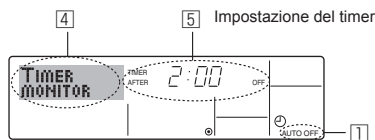
5. Premere il pulsante "Mode" (Return) ② per completare la procedura d'impostazione e tornare alla schermata di controllo standard.

6. Se il condizionatore d'aria è già in funzione, il timer inizierà immediatamente il conto alla rovescia. **Verificare che le impostazioni timer siano visualizzate correttamente sul display.**



## 6. Timer

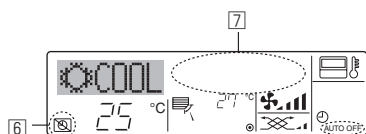
### <Controllo delle impostazioni del timer di arresto automatico>



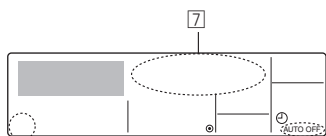
1. Assicurarsi che l'indicatore corrispondente al timer di arresto automatico sia visibile sullo schermo (in 1).
2. Premere il pulsante "Timer Menu" ② per **3 secondi**, fino a visualizzare il messaggio "Monitor" sullo schermo (in 4).
  - In 5 viene visualizzato il tempo che rimane prima dell'arresto dell'apparecchio.
3. Per chiudere il monitor e tornare alla schermata di controllo standard, premere il pulsante "Mode" (Return) ②.

### <Disattivare il timer di arresto automatico>

- Tenere premuto il pulsante "Timer On/Off" ⑨ per **3 secondi**, fino a quando viene visualizzato "Timer Off" (in 6) e scompare il valore timer (in 7).

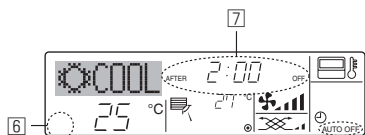


- In alternativa, spegnere il condizionatore d'aria. Il valore timer (in 7) scomparirà dallo schermo.



### <Avviare il timer di arresto automatico>

- Tenere premuto il pulsante "Timer On/Off" ⑨ per **3 secondi**. L'indicazione "Timer off" scompare (in 6), e l'impostazione timer viene visualizzata sul display (in 7).
- In alternativa, accendere il condizionatore d'aria. Il valore timer sarà visualizzato in 7.



## 7. Altre funzioni

### 7.1. Blocco dei pulsanti del telecomando (limite di funzionamento)

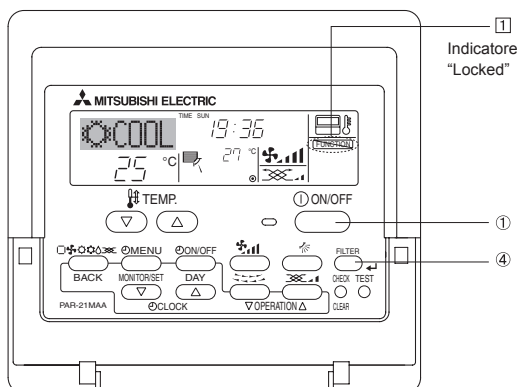
- Se lo si desidera, è possibile bloccare i pulsanti del telecomando. È possibile usare la Selezione Funzioni del telecomando per scegliere il tipo di blocco da utilizzare. (Per informazioni sulla selezione del tipo di blocco, vedere la sezione 8, punto [4]-2 (1)).

Più precisamente, si possono usare i seguenti due tipi di blocco.

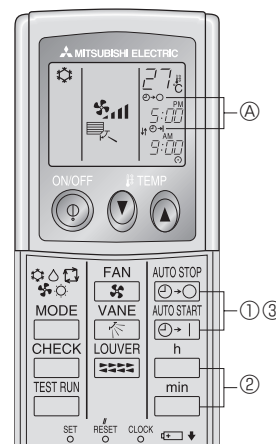
- ① Blocca tutti i pulsanti:  
Blocca tutti i pulsanti del telecomando.
- ② Blocca tutti tranne ON/OFF:  
Blocca tutti i pulsanti tranne il pulsante ON/OFF.

#### Nota:

L'indicatore "Locked" viene visualizzato sullo schermo per segnalare il blocco dei pulsanti.



### 6.2. Per il regolatore a distanza senza fili



- ① Premere i pulsanti **AUTO STOP** ① o **AUTO START** ② (TIMER SET).
    - L'ora può essere impostata quando il simbolo sottostante lampeggia. Disattivazione del timer: A ①-① lampeggia. Attivazione del timer: A ②-① lampeggia.
  - ② Utilizzare i pulsanti **h** e **min** per impostare l'ora desiderata.
  - ③ Cancellazione delle funzioni del timer.
    - Per cancellare la funzione di disattivazione del timer (OFF Timer), premere il pulsante **AUTO STOP** ①.
    - Per cancellare la funzione di attivazione del timer (ON Timer), premere il pulsante **AUTO START** ②.
- È possibile combinare fra loro i timer di attivazione e di disattivazione.
  - Premendo il tasto di accensione/spegnimento ① ON/OFF del comando a distanza durante il modo timer per arrestare l'unità, verranno cancellate le impostazioni del timer.
  - Se l'ora in corso non è stata impostata, non è possibile usare la modalità timer.

### <Come bloccare i pulsanti>

1. Tenendo premuto il pulsante "Filter" ④, premere e tenere premuto il pulsante ON/OFF ① per 2 secondi. L'indicazione "Locked" si accende sullo schermo (in 1), per segnalare l'attivazione del blocco.

- \* Se il blocco è stato disattivato in Selezione funzioni, quando si premeranno i pulsanti nel modo descritto in precedenza sullo schermo sarà visualizzato il messaggio "Not available".

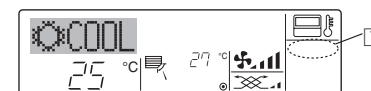


- Se si preme un pulsante bloccato, l'indicazione "Locked" (in 1) lampeggerà sul display.



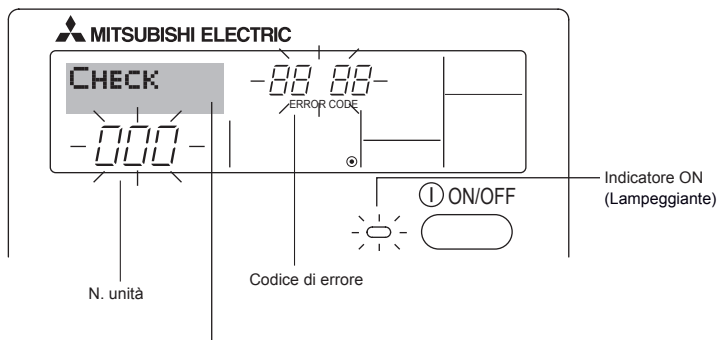
### <Come sbloccare i pulsanti>

1. Tenendo premuto il pulsante "Filter" ④, premere e tenere premuto il pulsante ON/OFF ① per 2 secondi; l'indicazione "Locked" scomparirà dallo schermo (in 1).



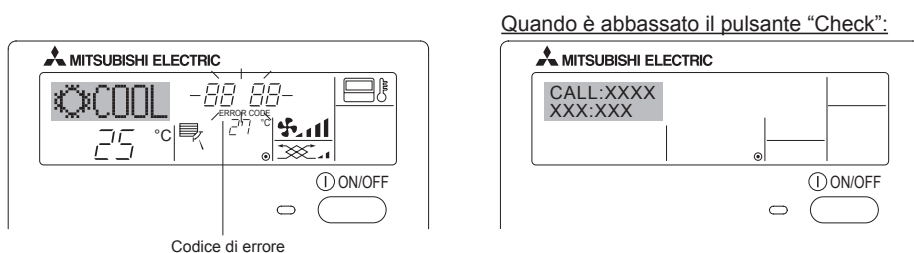
## 7. Altre funzioni

### 7.2. Indicazione dei codici di errore



Se si è fornito un recapito telefonico di riferimento per eventuali problemi, il numero viene visualizzato sullo schermo. (Questa impostazione può essere effettuata in Selezione funzioni. Per informazioni, fare riferimento alla sezione 8.)

- Se lampeggiano sia l'indicatore ON che il codice di errore: Significa che il condizionatore d'aria è guasto e il funzionamento è stato interrotto (e non può essere ripristinato). Prendere nota del numero unità indicato e del codice di errore, quindi togliere l'alimentazione al condizionatore d'aria e contattare il proprio rivenditore o tecnico.



- Se lampeggia soltanto il codice di errore (e l'indicatore ON rimane acceso): L'apparecchio continua a funzionare, ma c'è un problema nell'impianto. In questo caso, prendere nota del codice di errore e contattare il proprio rivenditore o tecnico per una consulenza.

\* Se si è immesso un recapito telefonico di riferimento per eventuali problemi, premere il pulsante "Check" per visualizzarlo sullo schermo. (Questa impostazione può essere effettuata in Selezione funzioni. Per informazioni, fare riferimento alla sezione 8.)

## 8. Selezione delle funzioni

### Selezione delle funzioni del comando a distanza

L'impostazione delle funzioni del comando a distanza elencate di seguito può essere modificata mediante la modalità di selezione delle funzioni del comando a distanza. Modificare l'impostazione se necessario.

Elemento 1	Elemento 2	Elemento 3 (descrizione dell'impostazione)
1. Modifica lingua ("CHANGE LANGUAGE")	Impostazione lingua visualizzata sul display	• La visualizzazione in più lingue è possibile
2. Limite funzioni ("SELEZIONE FUNZIONI")	(1) Impostazione limite funzioni di funzionamento (blocco funzionamento) ("BLOCCO FUNZIONI")	• Impostazione dell'intervallo del limite di funzionamento (blocco funzionamento)
	(2) Uso impostazione modalità automatica ("SELEZIONE MODO AUTO")	• Impostazione dell'uso o meno della modalità di funzionamento "automatica"
	(3) Impostazione limite intervallo temperatura ("LIMITAZIONE TEMPAERATURA")	• Impostazione dell'intervallo regolabile della temperatura (massima, minima)
3. Selezione modalità ("SELEZIONE MODO")	(1) Impostazione comando a distanza principale/asservito ("CONTROLLO MAIN/SUB")	• Selezione del comando a distanza principale o asservito * Se due comandi a distanza sono collegati a un unico gruppo, un comando a distanza deve essere impostato come asservito.
	(2) Uso impostazione orologio ("OROLOGIO")	• Impostazione dell'uso o meno della funzione orologio
	(3) Impostazione funzione timer ("TIMER SETTIMANALE")	• Impostazione del tipo di timer
	(4) Impostazione numero da chiamare in caso di errore ("CALL.")	• Visualizzazione del numero da chiamare in caso di errore • Impostazione del numero di telefono
4. Modifica display ("IMPOSTAZIONE MODO DISPLAY")	(1) Impostazione display temperatura °C/°F ("TEMPERATURA °C/°F")	• Impostazione dell'unità di temperatura (°C o °F) visualizzata
	(2) Impostazione display temperatura aria aspirata ("TEMPERATURA AMBIENTE")	• Impostazione dell'uso o meno del display della temperatura dell'aria interna (aspirata)
	(3) Impostazione display raffreddamento/riscaldamento automatico ("AUTO C/H")	• Impostazione dell'uso o meno del display "Cooling" (Raffreddamento) o "Heating" (Riscaldamento) durante il funzionamento nella modalità automatica

# 8. Selezione delle funzioni

## [Flusso di selezione delle funzioni]

Impostazione della lingua (inglese)

Display normale

(quando il climatizzatore non è in funzione)

Tenere premuto il pulsante **E**, quindi premere il pulsante **D** per due secondi.

Tenere premuto il pulsante **E**, quindi premere il pulsante **D** per due secondi.

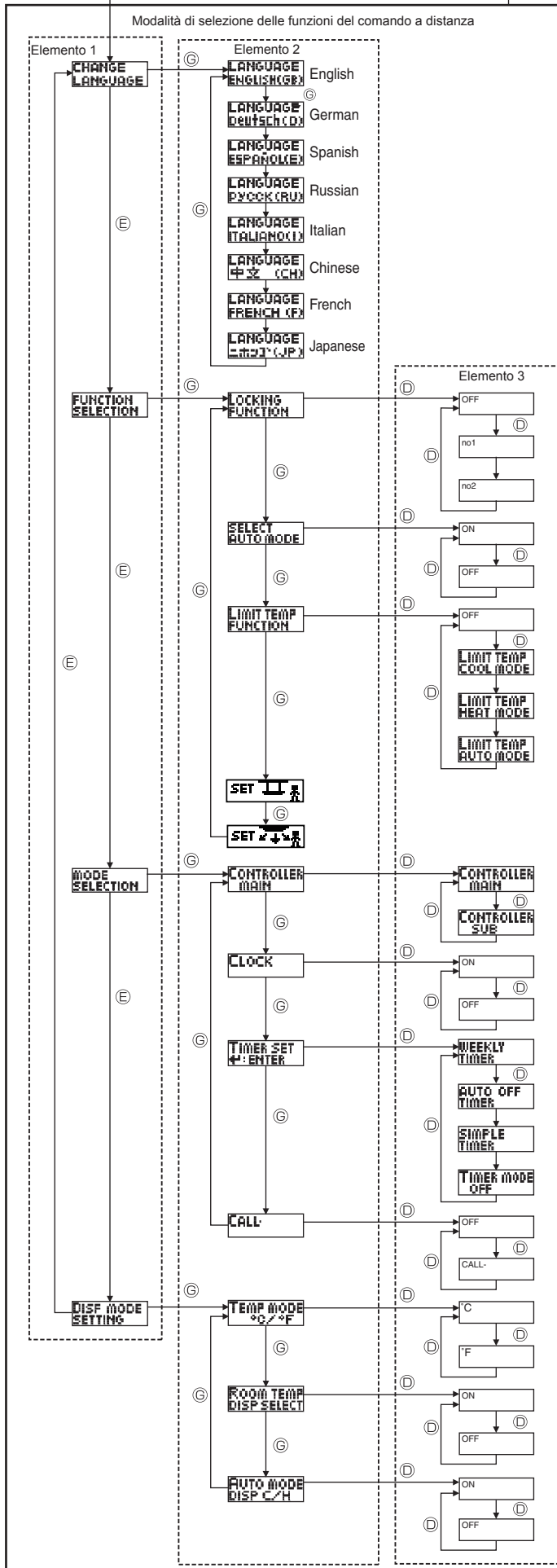
Modalità di selezione delle funzioni del comando a distanza

Modifica lingua

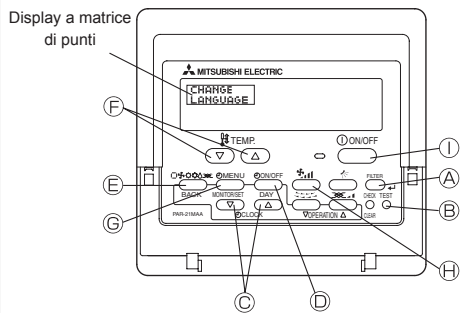
Selezione funzioni

Selezione modo

Impostazione modo display



- E** Premere il pulsante del modo di funzionamento.
- G** Premere il pulsante TIMER MENU (menu timer).
- D** Premere il pulsante TIMER ON/OFF (timer avvio/arresto).



- L'impostazione del blocco funzionamento non è utilizzata (valore impostazione iniziale).
- L'impostazione del blocco funzionamento è "Salvo i pulsante On/Off".
- L'impostazione del blocco funzionamento è "Tutti i pulsanti".
- Quando si seleziona il modo funzionamento, viene visualizzato il modo automatico (valore impostazione iniziale).
- Quando si seleziona il modo funzionamento, il modo automatico non viene visualizzato.
- Il limite intervallo di temperatura non è attivo (valore impostazione iniziale).
- L'intervallo di temperatura può essere modificato nel modo raffreddamento/deumidificazione.
- L'intervallo di temperatura può essere modificato nel modo riscaldamento.
- L'intervallo di temperatura può essere modificato nel modo automatico.
- Modo di funzionamento automatico su/giù del pannello di sollevamento del filtro Non è necessario impostare questo modo. Per i dettagli sul funzionamento, consultare il MANUALE D'USO dei componenti opzionali (pannello).
- Modo con direzione prefissata del flusso d'aria Non è necessario impostare questo modo. Per i dettagli sul funzionamento, consultare il MANUALE D'USO dell'unità interna.
- Il telecomando sarà il comando principale (valore impostazione iniziale).
- Il telecomando sarà il comando secondario.
- È possibile utilizzare la funzione orologio (valore impostazione iniziale).
- Non è possibile utilizzare la funzione orologio.
- È possibile utilizzare il timer settimanale (valore impostazione iniziale).
- È possibile utilizzare il timer di arresto automatico.
- È possibile utilizzare il timer semplice
- Non è possibile utilizzare il modo timer.
- I numeri da chiamare impostati non vengono visualizzati in caso di errore (valore impostazione iniziale).
- I numeri da chiamare impostati vengono visualizzati in caso di errore.
- L'unità di temperatura utilizzata sono i °C (valore impostazione iniziale).
- L'unità di temperatura utilizzata sono i °F.
- La temperatura ambiente viene visualizzata (valore impostazione iniziale).
- La temperatura ambiente non viene visualizzata.
- Nel modo automatico vengono visualizzati "Automatic cooling" (raffreddamento automatico) o "Automatic heating" (riscaldamento automatico) (valore impostazione iniziale).
- Nel modo automatico è visualizzata solo l'indicazione "Automatic".

## 8. Selezione delle funzioni

### [Impostazione dettagliata]

#### [4]-1. Impostazione CHANGE LANGUAGE (Cambia lingua)

La lingua visualizzata nel display a matrice di punti può essere selezionata.

- Per cambiare lingua, premere il pulsante [MENU] Ⓞ.  
① Inglese (GB), ② Tedesco (D), ③ Spagnolo (E), ④ Russo (RU),  
⑤ Italiano (I), ⑥ Cinese (CH), ⑦ Francese (F), ⑧ Giapponese (JP)

Consultare la tabella del display a matrice di punti.

#### [4]-2. Limite funzioni

##### (1) Impostazione limite funzioni di funzionamento (blocco funzionamento)

- Per attivare o disattivare l'impostazione, premere il pulsante [ON/OFF] Ⓞ.  
① no1: L'impostazione di blocco del funzionamento viene eseguita per tutti i pulsanti, tranne il pulsante [ON/OFF].  
② no2: L'impostazione di blocco del funzionamento viene eseguita per tutti i pulsanti.  
③ OFF (Impostazione iniziale):  
L'impostazione di blocco del funzionamento non viene eseguita.
- \* Per rendere effettiva l'impostazione di blocco del funzionamento nel display normale, è necessario premere e tenere premuti contemporaneamente per due secondi i pulsanti [FILTER] e [ON/OFF] sul display normale dopo avere eseguito la suddetta impostazione.

##### (2) Uso impostazione modalità automatica

Quando il comando a distanza è collegato a un'unità che funziona in modalità automatica, è possibile eseguire le impostazioni seguenti.

- Per attivare o disattivare l'impostazione, premere il pulsante [ON/OFF] Ⓞ.  
① ON (Impostazione iniziale):  
Quando viene selezionata la modalità di funzionamento, la modalità automatica viene visualizzata.  
② OFF:  
Quando viene selezionata la modalità di funzionamento, la modalità automatica non viene visualizzata.

##### (3) Impostazione limite intervallo temperatura

Una volta eseguita questa impostazione, è possibile modificare la temperatura entro l'intervallo impostato.

- Per attivare o disattivare l'impostazione, premere il pulsante [ON/OFF] Ⓞ.  
① LIMITAZIONE MODO COOL:  
L'intervallo di temperatura può essere modificato nella modalità di raffreddamento/deumidificazione.  
② LIMITAZIONE MODO HEAT:  
L'intervallo di temperatura può essere modificato nella modalità di riscaldamento.  
③ LIMITAZIONE MODO AUTO:  
L'intervallo di temperatura può essere modificato nella modalità automatica.  
④ OFF (impostazione iniziale):  
Il limite dell'intervallo di temperatura non è attivo.
- \* Quando viene eseguita un'impostazione diversa da OFF, contemporaneamente viene impostato il limite dell'intervallo di temperatura nelle modalità di raffreddamento, riscaldamento e automatica. Tuttavia, tale intervallo non può essere limitato se l'intervallo di temperatura impostato non è stato modificato.
- Per aumentare o ridurre la temperatura, premere il pulsante [TEMP. (▽) o (△)] Ⓞ.  
• Per impostare il limite superiore e il limite inferiore, premere il pulsante [TEMP. (▽) o (△)] Ⓞ. L'impostazione selezionata lampeggia ed è possibile impostare la temperatura.
- Intervallo impostabile  
Modalità di raffreddamento/deumidificazione:  
Limite inferiore: 19°C a 30°C    Limite superiore: 30°C a 19°C  
Modalità di riscaldamento:  
Limite inferiore: 17°C a 28°C    Limite superiore: 28°C a 17°C  
Modalità automatica:  
Limite inferiore: 19°C a 28°C    Limite superiore: 28°C a 19°C

#### [4]-3. Selezione della modalità

##### (1) Impostazione comando a distanza principale/asservito

- Per attivare o disattivare l'impostazione, premere il pulsante [ON/OFF] Ⓞ.  
① Main: Il comando a distanza viene impostato come principale.  
② Sub: Il comando a distanza viene impostato come asservito.

##### (2) Uso impostazione orologio

- Per attivare o disattivare l'impostazione, premere il pulsante [ON/OFF] Ⓞ.  
① ON: La funzione orologio può essere utilizzata.  
② OFF: La funzione orologio non può essere utilizzata.

##### (3) Impostazione funzione timer

- Per attivare o disattivare l'impostazione, premere il pulsante [ON/OFF] Ⓞ (Scegliere una delle impostazioni seguenti.)  
① TIMER SETTIMANALE (Impostazione iniziale):  
È possibile utilizzare il timer settimanale.  
② AUTO OFF TIMER:  
È possibile utilizzare il timer a disattivazione automatica.  
③ TIMER SEMPLIFICATO:  
È possibile utilizzare il timer semplice.  
④ TIMER OFF:  
Non è possibile utilizzare la modalità timer.
- \* Se l'orologio è impostato in modo da non essere usato (OFF), non è possibile utilizzare il "TIMER SETTIMANALE".

##### (4) Impostazione numero da chiamare in caso di errore

- Per attivare o disattivare l'impostazione, premere il pulsante [ON/OFF] Ⓞ.  
① CALL OFF:  
I numeri da chiamare impostati non vengono visualizzati in caso di errore.  
② CALL \*\*\*\* \*  
I numeri da chiamare impostati vengono visualizzati in caso di errore.  
CALL\_:  
Quando il display appare come indicato sopra, è possibile impostare il numero da chiamare.
- Impostazione dei numeri da chiamare  
Per impostare i numeri da chiamare, attenersi alla procedura seguente. Spostare il cursore lampeggiante per impostare i numeri. Premere i pulsanti [TEMP. (▽) e (△)] Ⓞ per spostare il cursore verso destra e verso sinistra. Premere i pulsanti [CLOCK (▽) e (△)] Ⓞ per impostare i numeri.

#### [4]-4. Impostazione del display

##### (1) Impostazione display temperatura °C/°F

- Per attivare o disattivare l'impostazione, premere il pulsante [ON/OFF] Ⓞ.  
① °C: Viene utilizzata l'unità di temperatura °C.  
② °F: Viene utilizzata l'unità di temperatura °F.

##### (2) Impostazione display temperatura aria aspirata

- Per attivare o disattivare l'impostazione, premere il pulsante [ON/OFF] Ⓞ.  
① ON: La temperatura dell'aria aspirata viene visualizzata.  
② OFF: La temperatura dell'aria aspirata non viene visualizzata.

##### (3) Impostazione display raffreddamento/riscaldamento automatico

- Per attivare o disattivare l'impostazione, premere il pulsante [ON/OFF] Ⓞ.  
① ON:  
Nella modalità automatica vengono visualizzati "Automatic cooling" (Raffreddamento automatico) e "Automatic heating" (Riscaldamento automatico).  
② OFF:  
Nella modalità automatica viene visualizzato solo "Automatic" (Automatica).

## 8. Selezione delle funzioni

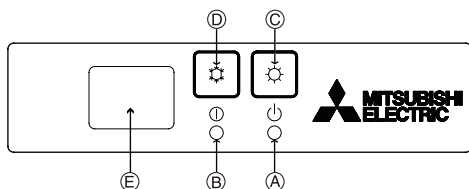
[Tabella del display a matrice di punti]

Impostazione della lingua	English	German	Spanish	Russian	Italian	Chinese	French	Japanese	
In attesa di avvio	PLEASE WAIT	←	←	←	←	←	←	←	
Modo di funzionamento	Raffreddamento	COOL	Kühlen	FRÍO	Холод	COOL	FRROID	冷房	
	Deumidificazione	DRY	Trocknen	DESHUMIDIFICACIÓN	Сушка	DRY	DESHU	ドライ	
	Riscaldamento	HEAT	Heizen	CALOR	Тепло	HEAT	CHAUD	暖房	
	Automatica	AUTO	AUTO	AUTOMÁTICO	АВТО	AUTO	AUTO	自動	
	Automatica (Raffreddamento)	COOL	Kühlen	FRÍO	Холод	COOL	FRROID	冷房	
	Automatica (Riscaldamento)	HEAT	Heizen	CALOR	Тепло	HEAT	CHAUD	暖房	
	Ventilazione	FAN	Lüfter	VENTILACIÓN	ВЕНТ	VENTILAZIONE	送風	VENTILATION	送風
	Ventilazione	VENTILATION	Gelüfesebetrieb	VENTILACIÓN	ВЕНТИЛЯЦИЯ	ARIA ESTERNA	换气	VENTILATION	換気
In attesa (regolazione calore)	STAND BY	STAND BY	CALENTANDO	ОБОГРЕВ: ПУЗА	STAND BY	准备中	PRE CHAUFFAGE	準備中	
Sbrinamento	DEFROST	Abtauen	DESCONGELACIÓN	ОТТАИВАНИЕ	SRINAMENTO	除霜中	DEGIVRAGE	霜取中	
Temperatura impostata	SET TEMP	TEMP einstellen	TEMP. CONSIGNA	ЦЕЛЕВАЯ ТЕМПЕРАТУРА	IMPOSTAZIONE TEMPERATURA	设定温度	REGLAGE TEMPERATURE	設定温度	
Velocità del ventilatore	FAN SPEED	Lüfterseschwindigkeit	VELOCIDAD VENTILADOR	СКОРОСТЬ ВЕНТИЛЯТОРА	VELOCITÀ VENTILATURE	风速	VITESSE DE VENTILATION	風速	
Pulsante non disponibile	NOT AVAILABLE	Nicht verfügbar	NO DISPONIBLE	НЕ ДОСТУПНО	NON DISPONIBILE	无效按钮	NON DISPONIBLE	無効ボタン	
Controllare (Errore)	CHECK	Prüfen	COMPROBAR	ПРОВЕРКА	CHECK	检查	CONTROLE	点検	
Prova di funzionamento	TEST RUN	Testbetrieb	TEST FUNCIONAMIENTO	ТЕСТОВЫЙ ЗАПУСК	TEST RUN	试运行	TEST	試運転	
Autoanalisi	SELF CHECK	Selbst-diagnose	AUTO REVISIÓN	САМОДИАГНОСТИКА	SELF CHECK	自我诊断	AUTO CONTROLE	自己診断	
Selezione delle funzioni unità	FUNCTION SELECTION	Funktion Auswahl	SELECCIÓN DE FUNCIÓN	ВЫБОР ФУНКЦИИ	SELEZIONE FUNZIONI	功能选择	SELECTION FONCTIONS	メニュー選択	
Impostazione della ventilazione	SETTING OF VENTILATION	Lüfterstufen wählen	CONFIG. VENTILACIÓN	НАСТРОЙКА ВЕНТИЛЯЦИИ	IMPOSTAZIONE ARIA ESTERNA	换气设定	SELECTION VENTILATION	換気設定	

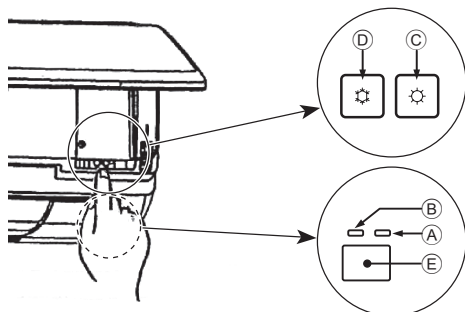
Impostazione della lingua	English	German	Spanish	Russian	Italian	Chinese	French	Japanese
Modifica lingua	CHANGE LANGUAGE	←	←	←	←	←	←	←
Selezione funzione	FUNCTION SELECTION	Funktion auswählen	SELECCIÓN DE FUNCIONES	ВЫБОР ФУНКЦИИ	SELEZIONE FUNZIONI	功能限制	SELECTION FONCTIONS	メニュー制限
Impostazione della limitazione funzioni	LOCKING FUNCTION	Sperre - Funktion	FUNCION BLOQUEADA	ФУНКЦИЯ БЛОКИРОВКИ	BLOCCO FUNZIONI	操作限制	BLOCAGE FONCTIONS	操作ロック
Impostazione uso del modo automatico	SELECT AUTO MODE	Auswahl Auto Betrieb	SELECCIÓN MODO AUTO	ВЫБОР РЕЖИМА АВТО	SELEZIONE MODO AUTO	自动模式	SELECTION DU MODO AUTO	自動モード
Impostazione limite intervallo temperatura	LIMIT TEMP FUNCTION	Limit Temp Funktion	LIMIT TEMP CONSIGNA	ОГРАНИЧЕНИЕ УЛТ.ТЕМПЕРАТ	LIMITAZIONE TEMPERATURA	温度限制	LIMITATION TEMPERATURE	温度制限
Limitazione temperatura in modo raffreddamento/giorno	LIMIT TEMP COOL MODE	Limit Kühl Temp	LIMIT TEMP MODO FRÍO	ОГРАНИЧЕНИЕ ОХЛАЖАЕНИЯ	LIMITAZIONE MODO COOL	制冷范围	LIMITE TEMP MODO FROID	制冷冷房
Limitazione temperatura in modo riscaldamento	LIMIT TEMP HEAT MODE	Limit Heiz Temp	LIMIT TEMP MODO CALOR	ОГРАНИЧЕНИЕ ОБОГРЕВ	LIMITAZIONE MODO HEAT	制热范围	LIMITE TEMP MODO CHAUD	制热暖房
Limitazione temperatura in modo automatico	LIMIT TEMP AUTO MODE	Limit Auto Temp	LIMIT TEMP MODO AUTO	ОГРАНИЧЕН РЕЖИМ АВТО	LIMITAZIONE MODO AUTO	自动范围	LIMITE TEMP MODO AUTO	制自动
Selezione modo	MODE SELECTION	Betriebsart wählen	SELECCIÓN DE MODO	ВЫБОР РЕЖИМА	SELEZIONE MODO	基本模式	SELECTION DU MODO	基本メニュー
Impostazione MAIN del telecomando (principale)	CONTROLLER MAIN	Haupt Controller	CONTROL PRINCIPAL	ОСНОВНОЙ ПУЛЬТ	CONTROLLO MAIN	遥控主	TELECOMMANDE MAITRE	リモコン 主機
Impostazione SUB del telecomando (secondario)	CONTROLLER SUB	Neben Controller	CONTROL SECUNDARIO	ДОПОЛНИТЕЛЬНЫЙ ПУЛЬТ	CONTROLLO SUB	遥控辅	TELECOMMANDE ESCLAVE	リモコン 主副
Impostazione uso orologio	CLOCK	Uhr	RELOJ	ЧАСЫ	OROLOGIO	时钟	AFFICHAGE HORLOGE	時計 ヨウツ
Impostazione del giorno della settimana e dell'ora	TIME SET ↑:ENTER	Uhr stellen ↑:einstellen	CONFIG RELOJ ↑:CONFIG	ЧАСЫ:УСТ. ↑:ВВОД	OROLOGIO ↑:ENTER	时间 ↑:ENTER	HORLOGE ↑:ENTRER	トクイ セットイ ↑: カクテイ
Impostazione timer	TIMER SET ↑:ENTER	Zeitschaltuhr ↑:einstellen	TEMPORIZA - DOR ↑:CONFIG	ТАЙМЕР:УИТ. ↑:ВВОД	TIMER ↑:ENTER	定时器 ↑:ENTER	PROG HORAIRE ↑:ENTRER	タイマー-セットイ ↑: カクテイ
Controllo timer	TIMER MONITOR	Uhrzeit Anzeige	VISUALIZAR TEMPORIZAD.	ПРОСМОТР ТАЙМЕРА	VISUALIZ TIMER	定时器状态	AFFICHAGE PROG HORAIRE	タイマー-モニター
Timer settimanale	WEEKLY TIMER	Wochenzeit schalt Uhr	TEMPORIZA - DOR SEMANAL	НЕДЕЛЬНЫЙ ТАЙМЕР	TIMER SETTIMANALE	每周定时器	PROG NEEUDO MAIDAIRE	タイマー-週間
Disattivazione modo timer	TIMER MODE OFF	Zeitschaltuhr AUS	TEMPORIZA - DOR APAGADO	ТАЙМЕР ВЫКЛ.	TIMER OFF	定时器无效	PROG HORAIRE INACTIF	タイマー-無効
Timer arresto automatico	AUTO OFF TIMER	AUTO Zeit funktion AUS	APAGADO AUTOMÁTICO	АВТОПРИБЛЮЧ. ПО ТАЙМЕРУ	AUTO OFF TIMER	解除定时	PROG HORAIRE ARRET AUTO	タイマー-オフオウス
Timer semplice	SIMPLE TIMER	Einfache Zeitfunktion	TEMPORIZA - DOR SIMPLE	ПРОСТОЙ ТАЙМЕР	TIMER SEMPLIFICATO	简易定时器	PROG HORAIRE SIMPLIFIE	タイマー-カンイ
Impostazione del numero da chiamare in caso di errore	CALL	←	←	←	←	←	←	←
Modifica display	DISP MODE SETTING	Anzeige Betriebsart	MOSTRAR MODO	НАСТРОЙКА ИНА РЕЖИМА	IMPOSTAZIONE MODO DISPLAY	转换表示	AFFICHAGE SOUS MENU	表示切替
Impostazione visualizz. temp. in °C/°F	TEMP MODE °C/°F	Wechsel °C/°F	TEMP GRADOS °C/°F	ЕДИН.ТЕМПЕРА °C/°F	TEMPERATURA °C/°F	温度 °C/°F	TEMPERATURE °C/°F	温度 °C/°F
Impostazione visualizzazione temperatura ambiente	ROOM TEMP DISP SELECT	Raum Temp seWählt	MOSTRAR TEMP	ПОКАЗЫВАТЬ ТЕМП.В КОМН.	TEMPERATURA AMBIENTE	吸入温度	TEMPERATURE AMBIANTE	スィコエント 温度
Impostazione visualizzazione raffredd./riscald. automatici	AUTO MODE DISP C/H	Auto Betrieb C/H	MOSTRAR F/C EN AUTO	ИНА. Т/Х В РЕЖИМЕ АВТО	AUTO C/H	自动表示	AFFICHAGE AUTO F/C	自動 表示



## 9. Funzionamento d'emergenza per il telecomando senza fili



(Per PKFY-P-VHM-E)



### Quando non si può utilizzare il comando a distanza

Quando le batterie del telecomando si esauriscono oppure il telecomando si guasta, è possibile utilizzare l'apparecchio in modalità di emergenza mediante i tasti di emergenza.

- A Spia DEFROST/STAND BY
- B Spia di funzionamento
- C Interruttore del funzionamento di emergenza (riscaldamento)
- D Interruttore del funzionamento di emergenza (raffreddamento)
- E Ricevitore

Avvio del funzionamento

- Per utilizzare la modalità di raffreddamento, premere il tasto per più di 2 secondi.
- Per utilizzare la modalità riscaldamento, premere il tasto per più di 2 secondi.

Nota:

- I dettagli sulla modalità di emergenza sono indicati sotto.

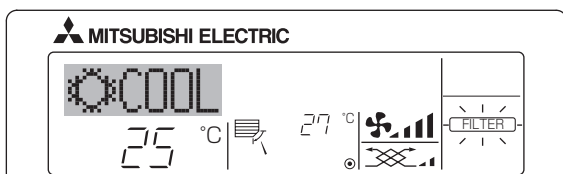
I dettagli della MODALITÀ DI EMERGENZA sono indicati sotto.

Modalità di funzionamento	Raffreddamento	Riscaldamento
Temperatura impostata	24°C	24°C
Velocità del ventilatore	Alta	Alta
Direzione flusso d'aria	Orizzontale	Verso il basso 4 (5)

Arresto del funzionamento

- Per arrestare il funzionamento, premere il tasto o il tasto per più di 2 secondi.

## 10. Cura e pulizia



- Indica che il filtro deve essere pulito.

Pulire il filtro.

- Reset display "FILTER" (FILTRO)

Quando si preme due volte successivamente il pulsante [FILTER] (FILTRO) dopo la pulizia del filtro, il display si spegne e viene ripristinato.

Nota:

- Quando vengono controllati due o più tipi di sezioni interne, il periodo di pulizia differisce a seconda del tipo di filtro. Quando arriva il momento di pulire l'unità principale, viene visualizzato "FILTER" (FILTRO). Quando si spegne il display del filtro, viene ripristinato il periodo di tempo cumulativo.
- "FILTER" (FILTRO) indica il periodo di pulizia quando è stato utilizzato il climatizzatore secondo le condizioni generali dell'aria interna. Poiché il grado di sporcizia dipende dalle condizioni ambientali, pulire il filtro in conseguenza.
- Il periodo di tempo cumulativo per la pulizia del filtro varia a seconda del modello.
- Questa indicazione non è disponibile per il telecomando senza fili.

### ► Pulizia dei filtri

- Pulire i filtri utilizzando un aspirapolvere. Qualora questo non sia disponibile, battere i filtri contro un oggetto solido per far partire la sporcizia e la polvere.
- Se i filtri sono particolarmente sporchi, lavarli in acqua tiepida. Accertarsi di sciacquare via completamente qualsiasi traccia di detergente e far asciugare completamente i filtri prima di rimetterli nell'unità.

⚠ Cautela:

- Non far asciugare i filtri alla luce diretta del sole o usando una sorgente di calore, come un elettroriscaldatore: questo potrebbe deformarli.
- Non lavare i filtri in acqua calda (sopra i 50°C), per non deformarli.
- Accertarsi che i filtri dell'aria siano sempre installati. La mancanza di detti filtri nell'unità può causare un cattivo funzionamento della stessa.

⚠ Cautela:

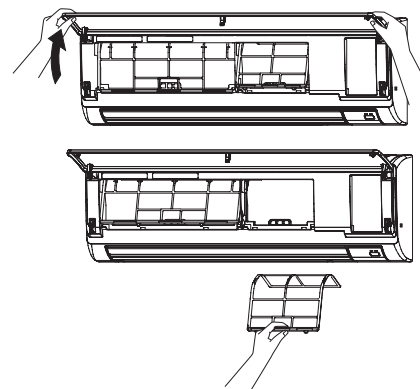
- Prima di pulire l'unità, arrestare il funzionamento e staccare la corrente.
- Le sezioni interne sono dotate di filtri destinati a rimuovere la polvere dall'aria aspirata. Pulire i filtri usando i metodi mostrati nelle seguenti figure.

### ► Rimozione del filtro

⚠ Cautela:

- Prima di rimuovere il filtro, prendere le necessarie precauzioni al fine di proteggere gli occhi dalla polvere. Qualora sia necessario salire su una sedia per eseguire l'operazione, fare attenzione a non cadere.
- Una volta rimosso il filtro, non toccare le parti metalliche situate nell'apparecchio interno al fine di evitare lesioni.

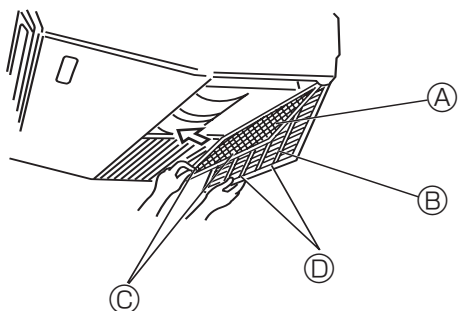
- PKFY-P-VBM-E  
PKFY-P-VHM-E



- ① Sollevare entrambi gli angoli della griglia di ingresso per aprire la griglia stessa, e sollevare poi il filtro.

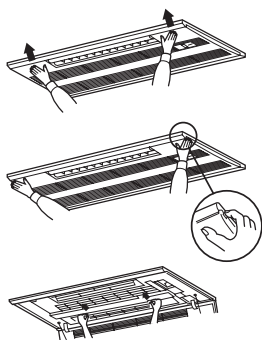
## 10. Cura e pulizia

### ■ PCFY-P-VKM-E



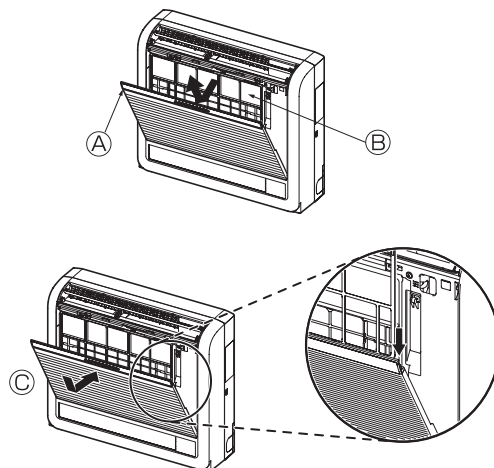
- ① Aprire la griglia di ingresso.
  - ② Tenere la manopola del filtro e sollevare poi il filtro in direzione della freccia. Per sostituire il filtro dopo averlo pulito, accertarsi di inserirlo in modo da farlo entrare completamente nel suo supporto.
- Ⓐ Filtro   Ⓑ Griglia di ingresso   Ⓒ Manopola   Ⓓ Supporto

### ■ PMFY-P-VBM-E



- ① Premendo il pulsante PUSH (SPINTA) sul lato esterno della griglia di ingresso, questa si aprirà.
- ② Un filtro dotato di una griglia di ingresso può essere rimosso tirandolo in avanti.

### ■ PFFY-P-VKM-E(2)



- ① Rimuovere il filtro dell'aria alla catechina.
- Ⓐ Aprire la griglia anteriore  
Ⓑ Filtro dell'aria alla catechina

#### ⚠ Cautela:

**Quando si procede alla rimozione del filtro dell'aria alla catechina, non toccare le parti in metallo dell'unità interna. Ciò può causare lesioni.**

- ② Installare il filtro dell'aria alla catechina.  
Fare attenzione ad installare entrambe le estremità nelle linguette come illustrato.
- Ⓒ Installare il filtro.
- ③ Chiudere completamente la griglia anteriore.

## 11. Ricerca dei guasti

Problemi?	Ecco la soluzione (l'unità funziona normalmente)
Il condizionatore d'aria non riscalda o non raffredda molto bene.	<ul style="list-style-type: none"> <li>■ Pulire il filtro (quando il filtro è sporco o ostruito, il flusso d'aria viene ridotto).</li> <li>■ Verificare la regolazione della temperatura ed eventualmente modificarla.</li> <li>■ Assicurarsi che vi sia sufficiente spazio libero attorno all'unità esterna. L'ingresso o l'uscita d'aria dell'unità interna sono ostruiti?</li> <li>■ È stata lasciata una porta o una finestra aperta?</li> </ul>
All'inizio del funzionamento in riscaldamento, dall'unità interna non esce subito aria calda.	<ul style="list-style-type: none"> <li>■ Inizia ad uscire aria calda quando l'unità interna si è riscaldata a sufficienza.</li> </ul>
Mentre è attivo il modo riscaldamento, il condizionatore d'aria si arresta prima che venga raggiunta la temperatura ambiente impostata.	<ul style="list-style-type: none"> <li>■ Quando la temperatura esterna è bassa e vi è molta umidità, sull'unità esterna può formarsi della brina. In questo caso, l'unità esterna esegue un'operazione di sbrinamento. Il normale funzionamento riprende dopo circa 10 minuti.</li> </ul>
La direzione del flusso d'aria cambia durante il funzionamento, oppure non è possibile impostarla.	<ul style="list-style-type: none"> <li>■ Durante il raffreddamento, le alette si spostano automaticamente nella posizione orizzontale (in basso) dopo 1 ora quando è selezionato il flusso d'aria verso il basso (orizzontale). Questo per impedire che si formi condensa che possa poi gocciolare dalle alette.</li> <li>■ Durante il riscaldamento, le alette si spostano automaticamente nella posizione corrispondente al flusso d'aria orizzontale quando la temperatura del flusso d'aria è bassa o durante lo sbrinamento.</li> </ul>
Quando si modifica la direzione del flusso d'aria, le alette si spostano sempre verso l'alto e verso il basso oltre la posizione impostata per poi arrestarsi sulla posizione.	<ul style="list-style-type: none"> <li>■ Quando si modifica la direzione del flusso d'aria, le alette si spostano sulla posizione impostata dopo il rilevamento della posizione di base.</li> </ul>
Si sente un rumore di acqua che scorre o a volte un sibilo.	<ul style="list-style-type: none"> <li>■ È possibile avvertire questo tipo di rumori quando il refrigerante scorre all'interno del condizionatore o quando cambia il flusso del refrigerante.</li> </ul>
Si sentono scoppiettii o scricchiolii.	<ul style="list-style-type: none"> <li>■ È possibile udire questo tipo di rumori quando, in seguito all'espansione ed al restringimento dovuti agli sbalzi di temperatura, alcune parti sfregano l'una contro l'altra.</li> </ul>
Si avverte un odore sgradevole nella stanza.	<ul style="list-style-type: none"> <li>■ L'unità interna aspira aria contenente gli odori delle pareti, dei tappeti, dei mobili, nonché degli indumenti, quindi la riemette nella stanza.</li> </ul>
Dall'unità interna fuoriesce una nebbiolina bianca.	<ul style="list-style-type: none"> <li>■ Se la temperatura interna e l'umidità sono elevate, può prodursi questo fenomeno all'avvio del condizionatore.</li> <li>■ Durante lo sbrinamento, il flusso d'aria fredda può soffiare verso il basso ed assumere l'aspetto di una nebbiolina.</li> </ul>
Dall'unità esterna fuoriesce acqua o vapore.	<ul style="list-style-type: none"> <li>■ Durante il funzionamento in raffreddamento può formarsi acqua che poi cola dai tubi di refrigerante e dalle guarnizioni.</li> <li>■ Durante il funzionamento in riscaldamento, può formarsi acqua che cola dallo scambiatore di calore.</li> <li>■ Durante il funzionamento in modo sbrinamento, l'acqua sullo scambiatore di calore evapora e può essere emesso vapore acqueo.</li> </ul>
Sul display del telecomando non appare l'indicatore del funzionamento.	<ul style="list-style-type: none"> <li>■ Accendere l'interruttore di alimentazione. Sul display del telecomando apparirà l'indicazione "●".</li> </ul>
Il condizionatore d'aria non funziona anche se viene premuto il tasto ON/OFF. La visualizzazione della modalità operativa sul regolatore a distanza scompare.	<ul style="list-style-type: none"> <li>■ L'interruttore di alimentazione sull'unità interna è posizionato su "OFF" (spento)? Posizionare l'interruttore su "ON" (acceso).</li> </ul>
Sul display del telecomando appare l'indicazione "☒".	<ul style="list-style-type: none"> <li>■ Quando è attivo il comando centrale, sul display del telecomando appare l'indicazione "☒" e non sarà possibile avviare o arrestare il condizionatore d'aria utilizzando il telecomando.</li> </ul>
Quando si riavvia il condizionatore d'aria subito dopo averlo spento, il condizionatore non funziona nemmeno se si preme il pulsante ON/OFF.	<ul style="list-style-type: none"> <li>■ Attendere circa tre minuti (il funzionamento viene bloccato per proteggere il condizionatore d'aria).</li> </ul>
Il condizionatore d'aria entra in funzione senza che sia stato premuto il pulsante ON/OFF.	<ul style="list-style-type: none"> <li>■ È stato impostato il timer di avvio? Premere il pulsante ON/OFF per arrestare il condizionatore.</li> <li>■ Il condizionatore d'aria è collegato ad un telecomando centrale? Rivolgersi al personale incaricato del condizionatore d'aria.</li> <li>■ Sul display del telecomando appare l'indicazione "☒" ? Rivolgersi al personale incaricato del condizionatore d'aria.</li> <li>■ È stata impostata la funzione di ripresa automatica dopo le interruzioni di corrente? Premere il pulsante ON/OFF per arrestare il condizionatore.</li> </ul>
Il condizionatore d'aria si arresta senza che sia stato premuto il pulsante ON/OFF.	<ul style="list-style-type: none"> <li>■ È stato impostato il timer di arresto? Premere il pulsante ON/OFF per riavviare il condizionatore.</li> <li>■ Il condizionatore d'aria è collegato ad un telecomando centrale? Rivolgersi al personale incaricato del condizionatore d'aria.</li> <li>■ Sul display del telecomando appare l'indicazione "☒" ? Rivolgersi al personale incaricato del condizionatore d'aria.</li> </ul>
Non si riesce ad impostare il funzionamento del timer con il telecomando.	<ul style="list-style-type: none"> <li>■ Le impostazioni del timer sono valide? Se è possibile impostare il timer, sul display del telecomando appare l'indicazione (WEEKLY) , (SIMPLE) o (AUTO OFF) .</li> </ul>
Sul display del telecomando appare il messaggio "PLEASE WAIT" (prego attendere).	<ul style="list-style-type: none"> <li>■ Sono in fase di esecuzione le impostazioni iniziali. Attendere circa 3 minuti.</li> </ul>
Sul display del telecomando appare un codice di errore.	<ul style="list-style-type: none"> <li>■ Sono entrati in funzione i dispositivi di sicurezza che proteggono il condizionatore d'aria.</li> <li>■ Non tentare di procedere da sé alla riparazione. Spegnere immediatamente l'interruttore di alimentazione e rivolgersi al concessionario. Indicare al concessionario il nome del modello e le informazioni visualizzate sul display del telecomando.</li> </ul>
Si sente un rumore di acqua che cola o di un motore in funzione.	<ul style="list-style-type: none"> <li>■ All'arresto del funzionamento in raffreddamento, la pompa di drenaggio si attiva e poi si arresta. Attendere circa 3 minuti.</li> </ul>

## 11. Ricerca dei guasti

Problemi?	Ecco la soluzione (l'unità funziona normalmente)												
Il rumore emesso è superiore a quanto indicato nelle specifiche tecniche.	<p>■ Il livello di rumorosità del funzionamento all'interno è influenzato dall'acustica del locale in questione, come indicato nella seguente tabella, e risulta superiore a quanto indicato nelle specifiche perché il valore è stato misurato in una stanza priva di echi.</p> <table border="1"> <thead> <tr> <th></th> <th>Stanze con un alto livello di assorbimento sonoro</th> <th>Stanze normali</th> <th>Stanze con un basso livello di assorbimento sonoro</th> </tr> </thead> <tbody> <tr> <td>Esempi di diversi locali</td> <td>Studio di trasmissione, studio di incisione, ecc.</td> <td>Reception, atrio di albergo, ecc.</td> <td>Ufficio, stanza d'albergo</td> </tr> <tr> <td>Livelli di rumore</td> <td>Da 3 a 7 dB</td> <td>Da 6 a 10 dB</td> <td>Da 9 a 13 dB</td> </tr> </tbody> </table>		Stanze con un alto livello di assorbimento sonoro	Stanze normali	Stanze con un basso livello di assorbimento sonoro	Esempi di diversi locali	Studio di trasmissione, studio di incisione, ecc.	Reception, atrio di albergo, ecc.	Ufficio, stanza d'albergo	Livelli di rumore	Da 3 a 7 dB	Da 6 a 10 dB	Da 9 a 13 dB
	Stanze con un alto livello di assorbimento sonoro	Stanze normali	Stanze con un basso livello di assorbimento sonoro										
Esempi di diversi locali	Studio di trasmissione, studio di incisione, ecc.	Reception, atrio di albergo, ecc.	Ufficio, stanza d'albergo										
Livelli di rumore	Da 3 a 7 dB	Da 6 a 10 dB	Da 9 a 13 dB										
Sul display del telecomando senza fili non è visualizzato nulla, il display è molto debole, oppure l'unità interna riceve i segnali solo se il telecomando è molto vicino.	<p>■ Le batterie sono quasi esaurite. Sostituire le batterie e premere il pulsante Reset.</p> <p>■ Se continua a non apparire nulla nonostante siano state sostituite le batterie, assicurarsi che le batterie siano inserite nelle direzioni giuste (+, -).</p>												
La spia di funzionamento accanto al ricevitore del telecomando senza fili dell'unità interna lampeggia.	<p>■ Si è attivata la funzione di autodiagnosi per proteggere il condizionatore d'aria.</p> <p>■ Spegnerne immediatamente l'interruttore di alimentazione e rivolgersi al concessionario. Non dimenticare di specificare il nome del modello al concessionario.</p>												
L'unità interna emette aria calda in maniera intermittente quando la modalità di riscaldamento è disattivata o in modalità di ventilazione.	<p>■ Quando un'altra unità interna funziona in modalità riscaldamento, la valvola di controllo si apre e si chiude occasionalmente per mantenere la stabilità del sistema di condizionamento. Questa attività si interromperà dopo un certo periodo di tempo.</p> <p>* Qualora questo dovesse provocare un aumento indesiderato della temperatura ambiente in piccoli ambienti, ecc., interrompere temporaneamente il funzionamento dell'unità interna.</p>												
Il deflettore si apre e si chiude automaticamente. (Per la serie PFFY-P-VKM-E)	<p>■ Il deflettore è comandato automaticamente da un micro computer in base alla temperatura del flusso d'aria e all'orario di funzionamento del condizionatore.</p>												

### ► Controllo dell'uscita aria (serie PFFY-P-VKM-E)

Questa unità è automaticamente impostata in modo che l'aria esca simultaneamente dalle uscite aria superiore ed inferiore, in modo da raffreddare o riscaldare efficacemente il locale.

#### Descrizione del funzionamento

Funzionamento	RAFFREDDAMENTO		DEUMIDIFICAZIONE	RISCALDAMENTO		VENTILATORE
Flusso d'aria						
Condizioni	La temperatura ambiente e la temperatura impostata sono diverse.	La temperatura della stanza è vicina alla temperatura impostata o il termostato è spento.	—	(Condizione normale (nel riscaldamento))	Durante lo sbrinamento, l'avvio del funzionamento o quando il termostato è spento.	—

- Verificare che nell'area circostante il deflettore dell'uscita d'aria inferiore non vi siano oggetti. Modificando la regolazione dell'interruttore sulla scheda indirizzi, è possibile impostare l'unità in modo che l'aria fuoriesca solo dall'uscita superiore (chiedere al concessionario).

#### Campo di applicazione:

Di sViene indicata qui sotto la fascia delle temperature di funzionamento sia delle sezioni interne che esterne dei modelli della serie Y, R2, Multi-S.

#### ⚠ Avvertenza:

**Se il condizionatore è acceso ma non raffredda o riscalda la stanza (in funzione del modello), occorre contattare il tecnico dell'assistenza in quanto può esservi una perdita di refrigerante.**

**Chiedere quindi al tecnico, al momento della riparazione, di verificare la presenza di eventuali perdite di refrigerante.**

**Il refrigerante caricato nel condizionatore è sicuro. Di solito, non vi sono perdite. Tuttavia, qualora vi siano delle perdite di refrigerante all'interno e questo venga a contatto con la fiamma di un riscaldatore del ventilatore, un apparecchio di riscaldamento, un fornello, ecc., verranno generate delle sostanze pericolose.**

## 12. Specifiche tecniche

### ■ Serie PCFY-P-VKM-E

Modelli	P40	P63	P100	P125
Alimentazione (Voltaggio<V>/Frequenza) <Hz>	~N 220-230-240/50, 220/60			
Capacità (Raffreddamento/Riscaldamento) <kW>	4,5/5,0	7,1/8,0	11,2/12,5	14,0/16,0
Dimensione (Altezza) <mm>	230			
Dimensione (Larghezza) <mm>	960	1280	1600	
Dimensione (Spessore) <mm>	680			
Peso netto <kg>	24	32	36	38
Portata flusso d'aria (Bassa-Media2-Media1-Alta) <m³/min>	10-11-12-13	14-15-16-18	21-24-26-28	21-24-27-31
Livello sonoro (Basso-Medio2-Medio1-Alto) <dB>	29-32-34-36	31-33-35-37	36-39-41-43	36-39-42-44

#### Nota

\* Temperatura di esercizio dell'unità interna.  
 Modo raffreddamento: 15 °C WB - 24 °C WB  
 Modo riscaldamento: 15 °C DB - 27 °C DB

\*1 La capacità di raffreddamento/riscaldamento indica il valore massimo delle sezioni alle seguenti condizioni operative.  
 Raffreddamento: Interna 27 °C DB/19 °C WB., Esterna 35 °C DB  
 Riscaldamento: Interna 20 °C DB, Esterna 7 °C DB/6 °C WB

### ■ Serie PKFY-P-VBM-E

### ■ Serie PKFY-P-VHM-E

Modelli	P15	P20	P25	P32	P40	P50
Alimentazione (Voltaggio<V>/Frequenza) <Hz>	~N 220-230-240/50, 220/60					
Capacità (Raffreddamento/Riscaldamento) <kW>	1,7/1,9	2,2/2,5	2,8/3,2	3,6/4,0	4,5/5,0	5,6/6,3
Dimensione (Altezza) <mm>	295			295		
Dimensione (Larghezza) <mm>	815			898		
Dimensione (Spessore) <mm>	225			249		
Peso netto <kg>	10			13		
Portata flusso d'aria (Bassa-Media2-Media1-Alta) <m³/min>	4,9-5,0-5,2-5,3	4,9-5,2-5,6-5,9		9-10-11	9-10,5-11,5	9-10,5-12
Livello sonoro (Basso-Medio2-Medio1-Alto) <dB>	29-31-32-33	29-31-34-36		34-37-41	34-38-41	34-39-43

#### Nota

\* Temperatura di esercizio dell'unità interna.  
 Modo raffreddamento: 15 °C WB - 24 °C WB  
 Modo riscaldamento: 15 °C DB - 27 °C DB

\*1 La capacità di raffreddamento/riscaldamento indica il valore massimo delle sezioni alle seguenti condizioni operative.  
 Raffreddamento: Interna 27 °C DB/19 °C WB., Esterna 35 °C DB  
 Riscaldamento: Interna 20 °C DB, Esterna 7 °C DB/6 °C WB

### ■ Serie PMFY-P-VBM-E

Modelli	P20	P25	P32	P40
Alimentazione (Voltaggio<V>/Frequenza) <Hz>	~N 220-230-240/50, 220/60			
Capacità (Raffreddamento/Riscaldamento) <kW>	2,2/2,5	2,8/3,2	3,6/4,0	4,5/5,0
Dimensione (Altezza) <mm>	230 (30)			
Dimensione (Larghezza) <mm>	854 (1000)			
Dimensione (Spessore) <mm>	395 (470)			
Peso netto <kg>	14 (3.0)			
Portata flusso d'aria (Bassa-Media2-Media1-Alta) <m³/min>	6,5-7,2-8,0-8,6	7,3-8,0-8,6-9,3		7,7-8,7-9,7-10,7
Livello sonoro (Basso-Medio2-Medio1-Alto) <dB>	27-30-33-36	32-34-36-37		33-35-37-39

#### Nota

\* Temperatura di esercizio dell'unità interna.  
 Modo raffreddamento: 15 °C WB - 24 °C WB  
 Modo riscaldamento: 15 °C DB - 27 °C DB

\*1 La capacità di raffreddamento/riscaldamento indica il valore massimo delle sezioni alle seguenti condizioni operative.  
 Raffreddamento: Interna 27 °C DB/19 °C WB., Esterna 35 °C DB  
 Riscaldamento: Interna 20 °C DB, Esterna 7 °C DB/6 °C WB

\*2 Questo valore in ( ) si riferisce al pannello.

### ■ Serie PFFY-P-VKM-E

Modelli	P20	P25	P32	P40
Alimentazione (Voltaggio<V>/Frequenza) <Hz>	~N 220-230-240/50			
Capacità (Raffreddamento/Riscaldamento) <kW>	2,2/2,5	2,8/3,2	3,6/4,0	4,5/5,0
Dimensione (Altezza) <mm>	600			
Dimensione (Larghezza) <mm>	700			
Dimensione (Spessore) <mm>	200			
Peso netto <kg>	14			
Portata flusso d'aria (Bassa-Media2-Media1-Alta) <m³/min>	5,9-6,8-7,6-8,7	6,1-7,0-8,0-9,1		8,0-9,0-9,5-10,7
Livello sonoro (Basso-Medio2-Medio1-Alto) <dB>	27-31-34-37	28-32-35-38		35-38-42-44

#### Nota

\* Temperatura di esercizio dell'unità interna.  
 Modo raffreddamento: 15 °C WB - 24 °C WB  
 Modo riscaldamento: 15 °C DB - 27 °C DB

\*1 La capacità di raffreddamento/riscaldamento indica il valore massimo delle sezioni alle seguenti condizioni operative.  
 Raffreddamento: Interna 27 °C DB/19 °C WB., Esterna 35 °C DB  
 Riscaldamento: Interna 20 °C DB, Esterna 7 °C DB/6 °C WB



## Περιεχόμενα

1. Προφυλακτικά Μέτρα Ασφαλείας .....	116	7. Άλλες λειτουργίες .....	125
2. Ονόματα μερών .....	117	8. Επιλογή λειτουργίας .....	126
3. Διαμόρφωση οθόνης .....	120	9. Λειτουργία εκτάκτου ανάγκης για ασύρματο τηλεχειριστήριο .....	130
4. Ρύθμιση της ημέρας της εβδομάδας και της ώρας .....	120	10. Φροντίδα και καθάρισμα .....	130
5. Λειτουργία .....	120	11. Εντοπισμός βλαβών .....	132
6. Timer (Χρονοδιακόπτης) .....	122	12. Προδιαγραφές .....	134



Fig.1

Αυτό το σύμβολο αφορά μόνο χώρες της ΕΕ.

Αυτό το σύμβολο συμφωνεί με το Άρθρο 10 της οδηγίας 2002/96/EC Πληροφορίες για τους χρήστες και το Παράρτημα IV ή/και με το Άρθρο 20 της οδηγίας 2006/66/EC Πληροφορίες για τους τελικούς χρήστες και το Παράρτημα II.

Το προϊόν MITSUBISHI ELECTRIC που διαθέτετε είναι σχεδιασμένο και κατασκευασμένο από υλικά και εξαρτήματα υψηλής ποιότητας, τα οποία μπορούν να ανακυκλωθούν ή/και να χρησιμοποιηθούν ξανά. Το σύμβολο αυτό σημαίνει ότι ο ηλεκτρικός και ηλεκτρονικός εξοπλισμός, οι μπαταρίες και οι συσσωρευτές, στο τέλος της διάρκειας ζωής τους, θα πρέπει να απορριφθούν ξεχωριστά από τα υπόλοιπα οικιακά απορρίμματα σας. Αν έχει εκτυπωθεί ένα χημικό σύμβολο κάτω από το σύμβολο που απεικονίζεται στην Fig.1, αυτό το χημικό σύμβολο σημαίνει ότι η μπαταρία ή ο συσσωρευτής περιέχει ένα βαρύ μέταλλο σε ορισμένη συγκέντρωση.

Αυτό θα υποδεικνύεται ως ακολούθως: Hg: υδράργυρος (0,0005%), Cd: κάδμιο (0,002%), Pb: μόλυβδος (0,004%)

Στην Ευρωπαϊκή Ένωση υπάρχουν ξεχωριστά συστήματα συλλογής για τα χρησιμοποιημένα ηλεκτρικά και ηλεκτρονικά προϊόντα, τις μπαταρίες και τους συσσωρευτές. Παρακαλούμε διαβάστε αυτόν τον εξοπλισμό, τις μπαταρίες και τους συσσωρευτές στο τοπικό σας κοινοτικό κέντρο συλλογής/ανακύκλωσης απορριμμάτων. Βοηθήστε μας να προστατεύσουμε το περιβάλλον στο οποίο ζούμε!

### Σημείωση:

Η φράση “Εσύρματο τηλεχειριστήριο” σε αυτό το εγχειρίδιο λειτουργίας αναφέρεται στο PAR-21MAA.

Εάν χρειάζεστε πληροφορίες για άλλο τηλεχειριστήριο, ανατρέξτε στο βιβλίο οδηγιών που περιλαμβάνεται σε αυτό το κουτί.

## 1. Προφυλακτικά Μέτρα Ασφαλείας

- ▶ Πριν κάνετε την εγκατάσταση της μονάδας, βεβαιωθείτε ότι διαβάσατε όλα τα “Προφυλακτικά Μέτρα Ασφαλείας”.
- ▶ α “Προφυλακτικά Μέτρα Ασφαλείας” παρέχουν πολύ σημαντικές πληροφορίες σχετικά με την ασφάλεια. Παρακαλείστε να βεβαιώνεστε ότι εφαρμόζετε τα μέτρα ασφαλείας που προβλέπονται.
- ▶ Πριν κάνετε τη σύνδεση στο σύστημα, παρακαλούμε να αναφέρετε ή να ζητήσετε επιβεβαίωση από τον αρμόδιο οργανισμό ανεφοδιασμού.

### Σύμβολα που χρησιμοποιούνται στο κείμενο

#### ⚠ Προειδοποίηση:

Περιγράφει τα μέτρα ασφαλείας που πρέπει να λαμβάνονται για την πρόληψη του κινδύνου τραυματισμού ή και θανάτου του χρήστη.

#### ⚠ Προσοχή:

Περιγράφει προφυλακτικά μέτρα που πρέπει να λαμβάνονται για να αποφεύγεται βλάβη στη μονάδα.

### Σύμβολα που χρησιμοποιούνται στις εικονογραφήσεις

⚠ : Δείχνει μέρος της συσκευής που πρέπει να γειώνεται.

#### ⚠ Προειδοποίηση:

- Αυτές οι συσκευές δεν προορίζονται για το ευρύ κοινό.
- Η εγκατάσταση της μονάδας δεν πρέπει να γίνεται από τον χρήστη. Ζητήστε από το κατάστημα που την αγοράσατε ή από εξουσιοδοτημένη εταιρεία να κάνουν την εγκατάσταση της μονάδας. Εάν η εγκατάσταση της μονάδας δεν γίνει όπως προβλέπεται, ενδέχεται να έχει σαν αποτέλεσμα να παρουσιαστεί διαρροή νερού, να προκληθεί ηλεκτροπληξία ή να συμβεί πυρκαγιά.
- Μη στέκεστε ή τοποθετείτε διάφορα είδη πάνω στη μονάδα.
- Μη πετάτε ή πιτσιλίζετε νερό πάνω στη μονάδα και μη την αγγίζετε με βρεγμένα χέρια. Υπάρχει κίνδυνος να προκληθεί ηλεκτροπληξία.
- Μη ψεκάζετε εύφλεκτο αέριο κοντά στη μονάδα. Ενδέχεται να προκληθεί πυρκαγιά.
- Μη τοποθετείτε θερμάστρα γκαζιού ή κάθε άλλη συσκευή που παράγει γυμνή φλόγα σε μέρος όπου θα εκτίθεται στην αποβολή αερίων από τη μονάδα. Η καύση της θερμάστρας ενδέχεται να είναι ατελής.
- Ενώ η εξωτερική μονάδα βρίσκεται σε λειτουργία δεν πρέπει να βγάξετε το μπροστινό φάνωμα ή τον προφυλακτήρα του ανεμιστήρα.
- Ποτέ μην επισκευάσετε ή μεταφέρετε τη μονάδα εσείς οι ίδιοι.
- Μόλις παρατηρήσετε παράξενους ή ασυνήθιστους ήχους, θόρυβο, ή κραδασμούς, σταματήστε την λειτουργία της συσκευής κλείνοντας τον διακόπτη παροχής ηλεκτρικού ρεύματος και αποταθείτε στον μεταπωλητή που σας την προμήθευσε.
- Μην βάζετε τα δάκτυλά σας, μακρόστενα αντικείμενα κτλ. μέσα στο στόμιο εισόδου και εξόδου του αέρα.
- Εάν ασυνήθιστες μυρωδιές εκπέμπονται από την μονάδα, σταματήστε να τη χρησιμοποιείτε, κλείστε τον ηλεκτρικό διακόπτη και συμβουλευτείτε το κατάστημα από το οποίο την αγοράσατε. Εάν συνεχίσετε να τη χρησιμοποιείτε, ενδέχεται να προκληθεί βλάβη, ηλεκτροπληξία ή πυρκαγιά.

- Το συγκεκριμένο κλιματιστικό ΔΕΝ προορίζεται για να χρησιμοποιείται χωρίς επίβλεψη από παιδιά ή άτομα με ειδικές ανάγκες.
- Μικρά παιδιά πρέπει να επιβλέπονται ώστε να μην παίζουν με το κλιματιστικό.
- Εάν παρουσιασθεί μία διαφυγή ή διαρροή στο ψυκτικό αέριο, σταματήστε να χρησιμοποιείτε το μηχάνημα, εξαερίστε πλήρως τον χώρο και αποταθείτε στον μεταπωλητή.
- Αυτή η συσκευή δεν προορίζεται για χρήση από άτομα με ειδικές ανάγκες σε επίπεδο σωματικό ή διανοητικό (συμπεριλαμβανομένων παιδιών), ή έλλειψη εμπειρίας και γνώσης, εκτός εάν επιτηρούνται ή τους έχουν δοθεί οδηγίες σχετικά με τη χρήση της συσκευής από άτομο υπεύθυνο για την ασφάλειά τους.
- Κατά την εγκατάσταση ή τη μετακίνηση του κλιματιστικού, χρησιμοποιείτε μόνο το συνιστώμενο ψυκτικό (R410A) για την πλήρωση των γραμμών ψυκτικού. Μην το αναμιγνύετε με άλλο ψυκτικό μέσο και μην αφήνετε τον αέρα να παραμείνει μέσα στις γραμμές. Εάν αναμιχθεί αέρας με το ψυκτικό, ενδέχεται να προκαλέσει ασυνήθιστα υψηλή πίεση στη γραμμή ψυκτικού, με ενδεχόμενο έκρηξης και άλλους κινδύνους. Η χρήση ψυκτικού διαφορετικού από αυτό που καθορίζεται για το σύστημα θα προκαλέσει μηχανική βλάβη ή δυσλειτουργία του συστήματος ή ζημιά στο σύστημα. Στη χειρότερη περίπτωση, μια τέτοια ενέργεια ενδέχεται να υπονομεύσει την ασφάλεια του προϊόντος.

#### ⚠ Προσοχή:

- Μη χρησιμοποιείτε αιχμηρά αντικείμενα για να πατάτε τα κουμπιά, η ενέργεια αυτή ενδέχεται να προκαλέσει βλάβη στο τηλεχειριστήριο.
- Ποτέ μη μπλοκάρτε ή καλύψετε τα ανοίγματα εισόδου και εξόδου αέρα της εσωτερικής και της εξωτερικής μονάδας.
- Ποτέ μην καθαρίζετε το τηλεχειριστήριο με βενζίνη, διαλυτικό, χημικά καθαριστικά, κτλ.
- Μην λειτουργείτε τη μονάδα για μεγάλο χρονικό διάστημα σε συνθήκες υψηλής υγρασίας, για παράδειγμα με παράθυρο ή πόρτα ανοιχτά. Στην λειτουργία ψύξης, εάν η μονάδα λειτουργεί σε δωμάτιο με υψηλά ποσοστά υγρασίας (80% RH ή περισσότερο) για μεγάλο χρονικό διάστημα, το νερό που συσσωρεύεται στο κλιματιστικό μπορεί να διαρρέυσει και να προκαλέσει ζημιές σε έπιπλα κτλ.

- Μην αγγίζετε το περύγιο στην άνω έξοδο αέρα ή το στόμιο στην έξοδο κατά τη διάρκεια λειτουργίας, διότι μπορεί να προκληθεί συσσώρευση και να διακοπεί η λειτουργία της μονάδας.

### Πέταγμα της μονάδας σαν άχρηστη

Εάν θέλετε να πετάξετε τη συσκευή σαν άχρηστη, συμβουλευτείτε σχετικά το κατάστημα από το οποίο την αγοράσατε.

## 2. Ονόματα μερών

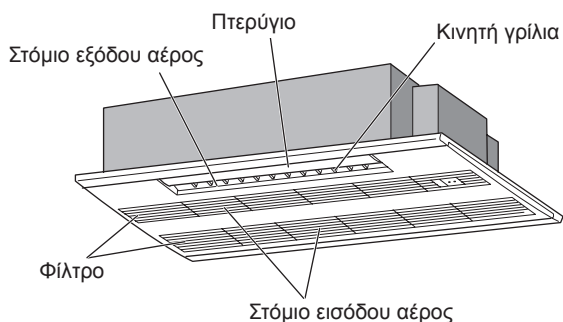
### ■ Εσωτερική μονάδα

	PKFY-P-VBM-E	PKFY-P-VHM-E	PCFY-P-VKM-E	PMFY-P-VBM-E	PFFY-P-VKM-E(2)
Ταχύτητα ανεμιστήρα	4 ταχυτήτων	3 ταχυτήτων + Αυτό*	4 ταχυτήτων + Αυτό*	4 ταχυτήτων	4 ταχυτήτων
Πτερύγιο	Βήματα	4 βαθμίδες	5 βαθμίδες	5 βαθμίδες	4 βαθμίδες
	Αυτόματη αιώρηση	×	○	○	○
Κινητή γρίλια	Μη αυτόματο	Μη αυτόματο	Μη αυτόματο	Μη αυτόματο	Μη αυτόματο
Φίλτρο	Κανονικό	Κανονικό	Μεγάλη διάρκεια ζωής	Κανονικό	Κανονικό
Ένδειξη καθαρισμού φίλτρου	100 hr	100 hr	2,500 hr	100 hr	100 hr

\* Αυτή η λειτουργία είναι διαθέσιμη μόνο με τη χρήση του τηλεχειριστηρίου που είναι ικανό να ρυθμίσει την ταχύτητα του Ανεμιστήρα στο αυτόματο "Αυτό".

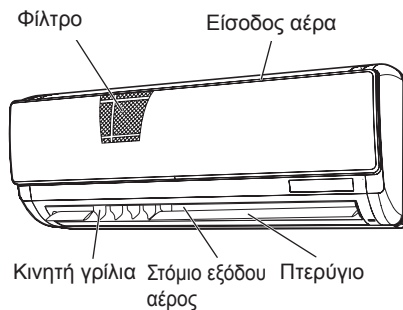
### ■ PMFY-P-VBM-E

Κασέτα οροφής 1 κατευθύνσεων



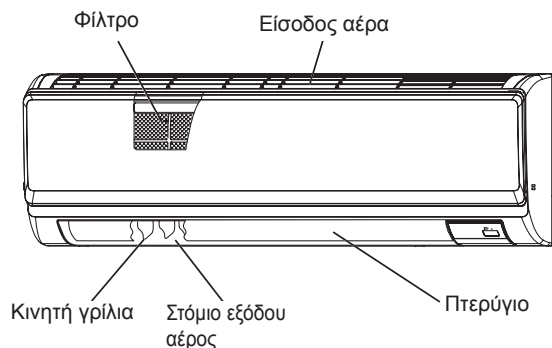
### ■ PKFY-P-VBM-E

Τοίχου



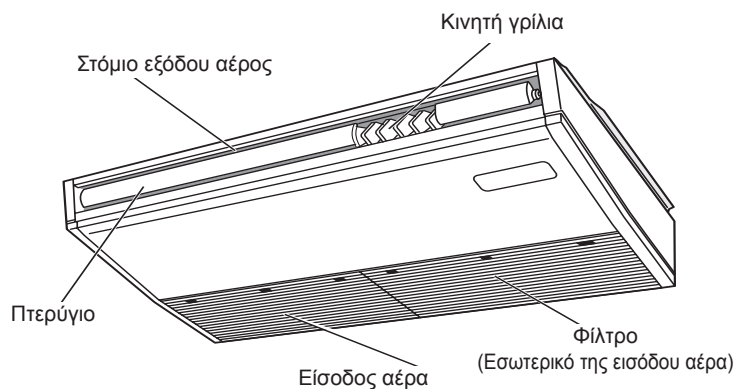
### ■ PKFY-P-VHM-E

Τοίχου



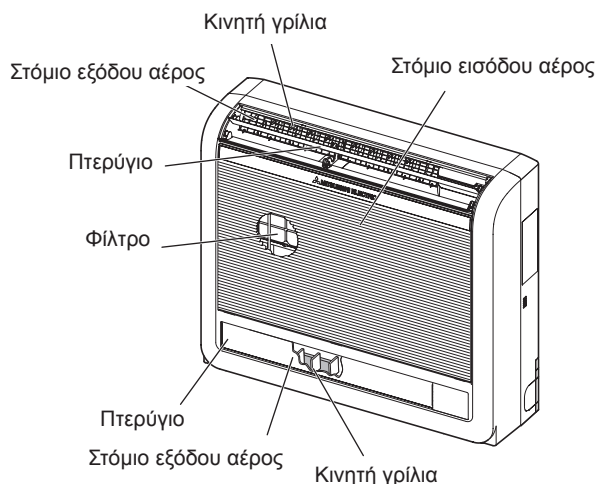
### ■ PCFY-P-VKM-E

Αναρτώμενο οροφής



### ■ PFFY-P-VKM-E(2)

Όρθιο δαπέδου



## 2. Ονόματα μερών

### ■ για ενσύρματο τηλεχειριστήριο

#### Ενότητα ενδείξεων

Με στόχο την καλύτερη κατανόηση των λειτουργιών, εμφανίζονται όλες οι ενδείξεις της οθόνης. Κατά τη διάρκεια της λειτουργίας, εμφανίζονται μόνο οι ανάλογες ενδείξεις.

#### Αναγνωρίζει την τρέχουσα λειτουργία

Δείχνει την κατάσταση, κ.λπ.  
\* Υποστηρίζονται ενδείξεις σε πολλές γλώσσες.

#### Δείκτης κεντρικού ελέγχου

Υποδεικνύει ότι έχει απενεργοποιηθεί η λειτουργία του τηλεχειριστηρίου από τον κύριο ελεγκτή.

#### Δείκτης ανενεργού χρονοδιακόπτη

Υποδεικνύει ότι ο χρονοδιακόπτης είναι ανενεργός.

#### Ρύθμιση θερμοκρασίας

Εμφανίζει την προοριζόμενη θερμοκρασία.

#### Έλεγχος

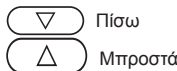
Πλήκτρα ρύθμισης θερμοκρασίας



Πλήκτρο μενού χρονοδιακόπτη (πλήκτρο παρακολούθησης/ρύθμισης)

Πλήκτρο κατάστασης (πλήκτρο επιστροφής)

Πλήκτρα ρύθμισης χρόνου



Πλήκτρο χρονοδιακόπτη έναρξης/διακοπής λειτουργίας (πλήκτρο ρύθμισης ημέρας)



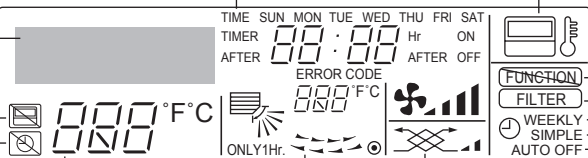
#### Ημέρα της εβδομάδας

Εμφανίζει την τρέχουσα ημέρα της εβδομάδας.

#### Ένδειξη χρόνου/χρονοδιακόπτη

Εμφανίζει τον τρέχοντα χρόνο, εκτός αν είναι ρυθμισμένος ο απλός χρονοδιακόπτης ή ο χρονοδιακόπτης αυτόματης διακοπής. Αν είναι ρυθμισμένος ο απλός χρονοδιακόπτης ή ο χρονοδιακόπτης αυτόματης διακοπής, εμφανίζει το χρόνο που απομένει.

#### ΜITSUBISHI ELECTRIC



#### Δείκτης ανοδικής/καθοδικής κατεύθυνσης αέρα

Η ένδειξη \ δείχνει την κατεύθυνση της εξερχόμενης ροής αέρα.

#### Δείκτης λειτουργίας μόνο για μία ώρα

Εμφανίζεται εφόσον η ροή αέρα έχει ρυθμιστεί σε χαμηλή ένταση και κατακόρυφα κατά τη διάρκεια κατάστασης COOL ή DRY. (Η λειτουργία διαφέρει ανάλογα με το μοντέλο). Η ένδειξη σβήνει μετά από μία ώρα και τότε αλλάζει και η κατεύθυνση της ροής αέρα.

#### Ένδειξη θερμοκρασίας περιβάλλοντος

Εμφανίζει τη θερμοκρασία περιβάλλοντος. Η περιοχή τιμών θερμοκρασίας περιβάλλοντος είναι 8 - 39 °C. Η ένδειξη αναβοσβήνει, εάν η θερμοκρασία είναι χαμηλότερη από 8 °C ή 39 °C και άνω.

#### Ένδειξη κινητής γρίλιας

Υποδεικνύει τη δράση της κινητής γρίλιας. Δεν εμφανίζεται αν η γρίλια είναι ακίνητη.

#### ● (Δείκτης ενεργούς ισχύος)

Υποδεικνύει ότι η ισχύς είναι ενεργής.

#### Δείκτης αισθητήρα

Εμφανίζεται όταν χρησιμοποιείται ο αισθητήρας του τηλεχειριστηρίου.

#### Δείκτης κλειδώματος

Υποδεικνύει ότι έχουν κλειδωθεί τα πλήκτρα του τηλεχειριστηρίου.

#### Δείκτης καθαρισμού φίλτρου

Ανάβει όταν πρέπει να καθαρίσετε το φίλτρο.

#### Δείκτες χρονοδιακόπτη

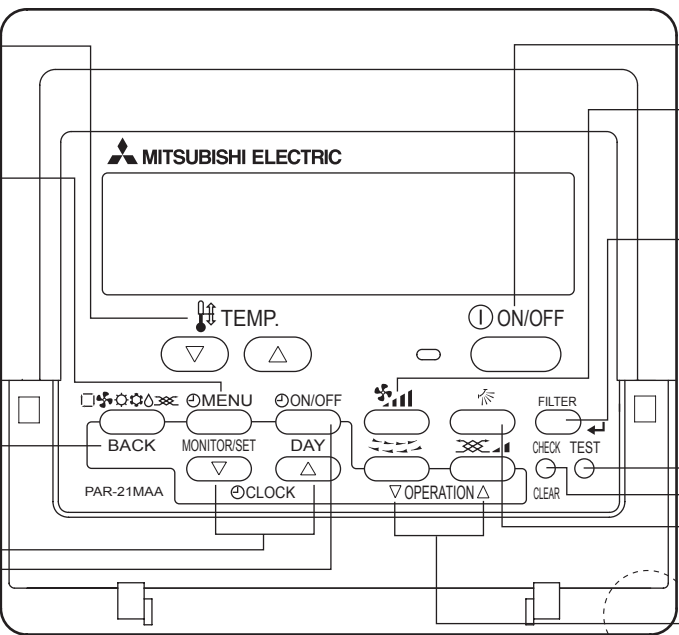
Ανάβει η ένδειξη αν ρυθμιστεί ο αντίστοιχος χρονοδιακόπτης.

#### Δείκτης ταχύτητας ανεμιστήρα

Εμφανίζει την επιλεγμένη ταχύτητα ανεμιστήρα.

#### Δείκτης εξερισμού

Εμφανίζεται όταν η μονάδα βρίσκεται σε κατάσταση εξερισμού.



Ενσωματωμένος αισθητήρας θερμοκρασίας

Πλήκτρο έναρξης/διακοπής

Πλήκτρο ταχύτητας ανεμιστήρα

Πλήκτρο φίλτρου (πλήκτρο ←)

Πλήκτρο δοκιμής

Πλήκτρο ελέγχου (πλήκτρο διαγραφής)

Πλήκτρο ανοδικής/καθοδικής ροής αέρα

Πλήκτρο κινητής γρίλιας (Πλήκτρο λειτουργίας ∇)

∇ Προς προηγούμενο αριθμό λειτουργίας.

Πλήκτρο εξερισμού (πλήκτρο λειτουργίας ∆)

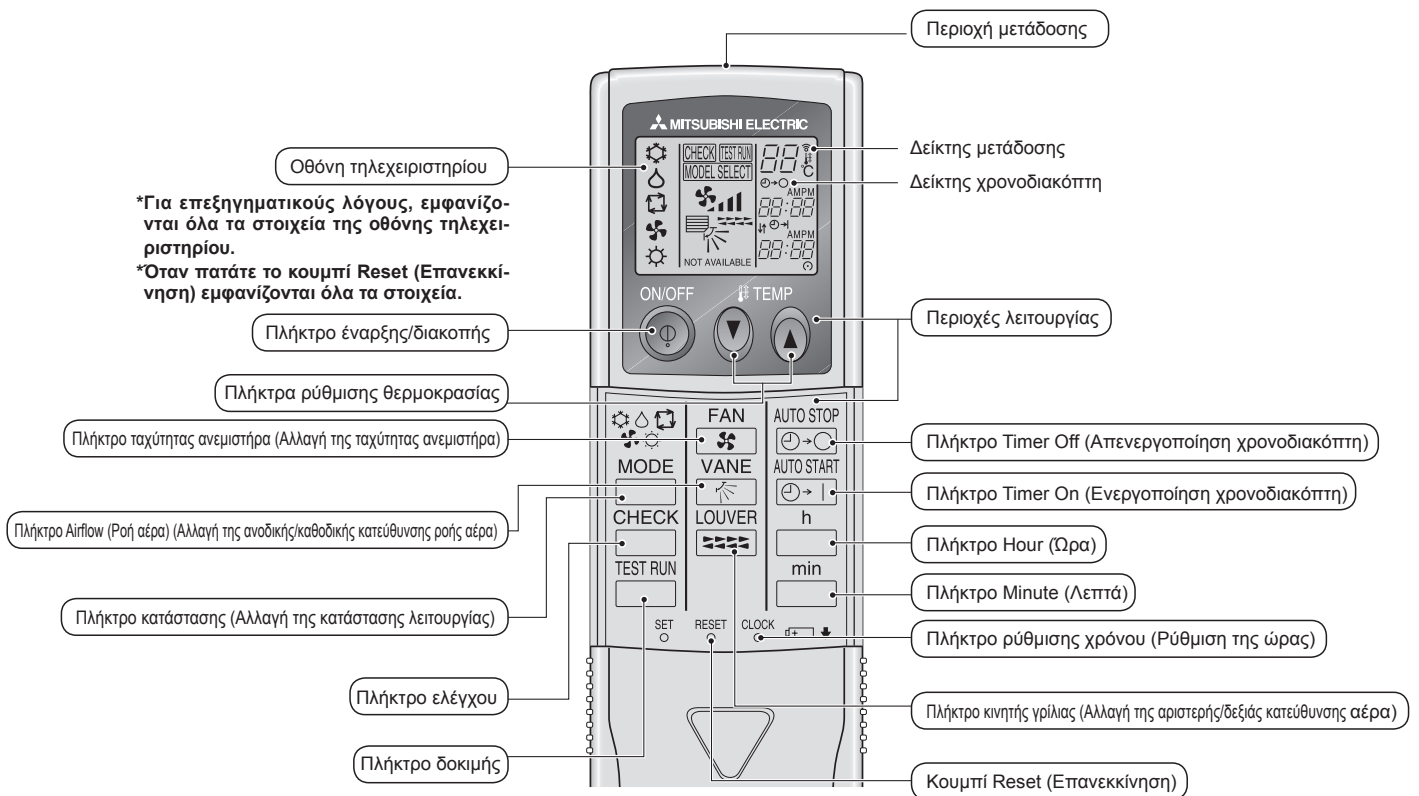
∆ Προς επόμενο αριθμό λειτουργίας.

#### Σημείωση:

- Μήνυμα "PLEASE WAIT" (ΠΑΡΑΚΑΛΩ ΠΕΡΙΜΕΝΕΤΕ)  
Το μήνυμα αυτό εμφανίζεται για περίπου 3 λεπτά κατά την έναρξη τροφοδοσίας της εσωτερικής μονάδας με ηλεκτρική ενέργεια ή όταν αποκαθίσταται η λειτουργία της μονάδας μετά από διακοπή της τροφοδοσίας.
- Η οθόνη κατάσταση λειτουργίας αναβοσβήνει  
Όταν έχουν συνδεθεί πολλαπλές εσωτερικές μονάδες με μία εξωτερική μονάδα και έχει επιλεγθεί κατάσταση λειτουργίας για μία εσωτερική μονάδα διαφορετική από την τρέχουσα κατάσταση λειτουργίας άλλης εσωτερικής μονάδας, η οθόνη κατάσταση λειτουργίας αναβοσβήνει. Επιλέξτε την ίδια κατάσταση λειτουργίας και για την άλλη εσωτερική μονάδα.
- Μήνυμα "NOT AVAILABLE" (ΜΗ ΔΙΑΘΕΣΙΜΗ ΛΕΙΤΟΥΡΓΙΑ)  
Το μήνυμα αυτό εμφανίζεται, εάν πατήσετε ένα κουμπί για λειτουργία την οποία δεν διαθέτει η εσωτερική μονάδα.  
Όταν χρησιμοποιείται το ίδιο τηλεχειριστήριο για το χειρισμό πολλαπλών εσωτερικών μονάδων, αυτό το μήνυμα εμφανίζεται όταν η κύρια εσωτερική μονάδα δεν έχει ρυθμιστεί για την επιλεγμένη λειτουργία.
- Ένδειξη θερμοκρασίας περιβάλλοντος  
Μπορούν να επιλεγθούν οι αισθητήρες θερμοκρασίας της εσωτερικής μονάδας ή ο αισθητήρας θερμοκρασίας του τηλεχειριστηρίου για να μετρηθεί η θερμοκρασία του δωματίου. Προεπιλογή αποτελούν οι αισθητήρες θερμοκρασίας της εσωτερικής μονάδας. Όταν επιλεγθούν οι αισθητήρες θερμοκρασίας της εσωτερικής μονάδας για τη μέτρηση της θερμοκρασίας του δωματίου, η θερμοκρασία του δωματίου που μετρείται από την κύρια εσωτερική μονάδα εμφανίζεται στο τηλεχειριστήριο που έχει αντιστοιχθεί σε πολλαπλές εσωτερικές μονάδες.

## 2. Ονόματα μερών

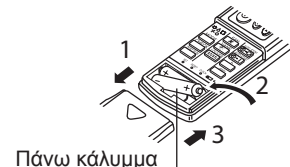
### ■ για ασύρματο τηλεχειριστήριο



- Όταν χρησιμοποιείτε το ασύρματο τηλεχειριστήριο, φροντίστε να το έχετε στραμμένο προς την κατεύθυνση του δέκτη της εσωτερικής μονάδας.
- Εάν χρησιμοποιήσετε το τηλεχειριστήριο εντός δύο λεπτών μετά την παροχή ρεύματος στην εσωτερική μονάδα, η εσωτερική μονάδα ενδέχεται να ηχήσει δύο φορές λόγω του ότι εκτελεί τον αρχικό αυτόματο έλεγχο.
- Η εσωτερική μονάδα ηχεί για να επιβεβαιωθεί ότι το σήμα που εκπέμπεται από το τηλεχειριστήριο έχει ληφθεί. Η λήψη των σημάτων είναι εφικτή από τη μονάδα σε απόσταση έως και περίπου 7 μέτρων σε ευθεία από την εσωτερική μονάδα και σε ζώνη 45° αριστερά και δεξιά από τη μονάδα. Ωστόσο, η ικανότητα της μονάδας να λαμβάνει σήματα μπορεί να επηρεαστεί από φωτισμό, όπως μια πηγή φθορίζοντος ή ισχυρού φωτός.
- Εάν η λυχνία λειτουργίας κοντά στο δέκτη της εσωτερικής μονάδας αναβοσβήνει, η μονάδα πρέπει να ελεγχθεί. Επικοινωνήστε με τον αντιπρόσωπο για τεχνική υποστήριξη.
- Να χειρίζεστε με προσοχή το τηλεχειριστήριο! Φροντίστε να μην σας πέσει ή να μην υποστεί ισχυρούς κραδασμούς. Επίσης, να μην το βρέχετε, ούτε να το αφήνετε σε χώρο με υψηλή υγρασία.
- Για να αποφύγετε το ενδεχόμενο να τοποθετήσετε το τηλεχειριστήριο σε σημείο όπου μπορεί να υποστεί βλάβη, εγκαταστήστε τη βάση στήριξης που παρέχεται μαζί με αυτό σε έναν τοίχο και να τοποθετείτε πάντοτε εκεί το τηλεχειριστήριο μετά τη χρήση.

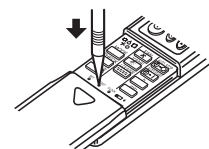
### Τοποθέτηση/αντικατάσταση μπαταριών

1. Αφαιρέστε το πάνω κάλυμμα, τοποθετήστε δύο μπαταρίες AAA και, στη συνέχεια, τοποθετήστε το πάνω κάλυμμα στη θέση του.



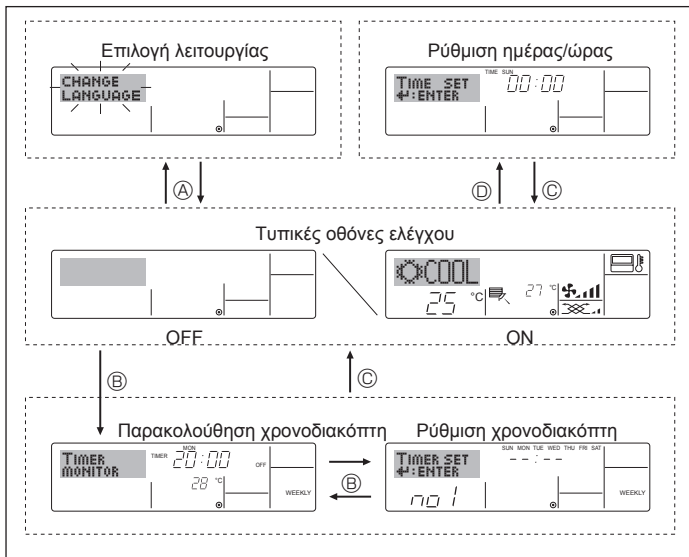
Δύο μπαταρίες AAA  
Τοποθετήστε πρώτα τον αρνητικό (-) πόλο της κάθε μπαταρίας. Τοποθετήστε τις μπαταρίες με τη σωστή κατεύθυνση (+, -)!

2. Πατήστε το κουμπί Reset (Επανεκκίνηση).



Πατήστε το κουμπί Reset (Επανεκκίνηση) με ένα αντικείμενο με στενό άκρο.

### 3. Διαμόρφωση οθόνης



#### <Screen Types>

Η γλώσσα ενδείξεων δεν μπορεί να ρυθμιστεί στα Ελληνικά. Επομένως, στις ενδείξεις του παρόντος εγχειριδίου εμφανίζεται η γλώσσα αρχικής ρύθμισης, δηλ. τα Αγγλικά.

- **Επιλογή λειτουργίας:** Ρυθμίστε τις λειτουργίες και τις περιοχές τιμών που διατίθενται στο τηλεχειριστήριο (λειτουργίες χρονοδιακόπτη, περιορισμοί λειτουργίας, κ.λπ.)
- **Ρύθμιση ημέρας/ώρας:** Ρυθμίστε την τρέχουσα ημέρα της εβδομάδας ή την ώρα.
- **Τυπικές οθόνες ελέγχου:** Προβάλετε και ρυθμίστε την κατάσταση του συστήματος κλιματισμού
- **Παρακολούθηση χρονοδιακόπτη:** Προβάλετε τον τρέχοντα ρυθμισμένο χρονοδιακόπτη (εβδομαδιαίος χρονοδιακόπτης, απλός χρονοδιακόπτης ή χρονοδιακόπτης αυτόματης διακοπής).
- **Ρύθμιση χρονοδιακόπτη:** Ρυθμίστε τη λειτουργία οποιουδήποτε χρονοδιακόπτη (εβδομαδιαίος χρονοδιακόπτης, απλός χρονοδιακόπτης ή χρονοδιακόπτης αυτόματης διακοπής).

#### <Πώς να αλλάξετε την οθόνη>

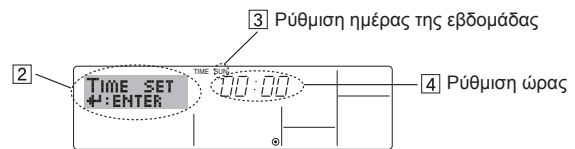
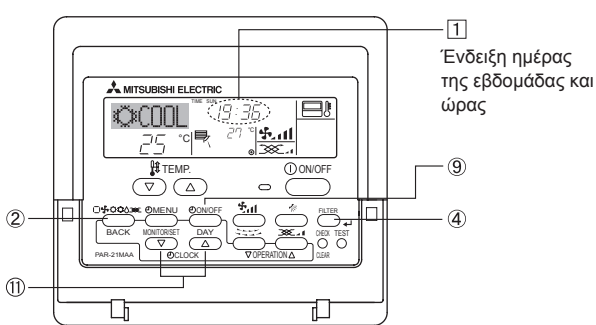
Για μετάβαση στο ①: Πιέστε παρατεταμένα τα πλήκτρα κατάσταση και χρονοδιακόπτη έναρξης/διακοπής λειτουργίας για 2 δευτερόλεπτα.

Για μετάβαση στο ②: Πιέστε το πλήκτρο μενού χρονοδιακόπτη.

Για μετάβαση στο ③: Πιέστε το πλήκτρο κατάσταση (επιστροφής).

Για μετάβαση στο ④: Πιέστε οποιοδήποτε από τα πλήκτρα ρύθμισης χρόνου (▽ ή Δ).

### 4. Ρύθμιση της ημέρας της εβδομάδας και της ώρας

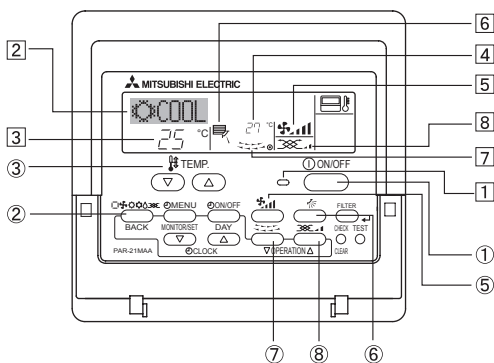


#### Παρατήρηση:

Δεν θα εμφανιστεί η ημέρα και η ώρα αν έχει απενεργοποιηθεί η χρήση ρολογιού από την επιλογή λειτουργίας.

1. Πιέστε το πλήκτρο ρύθμισης χρόνου ▽ ή Δ ① για να εμφανιστεί η ένδειξη ②.
2. Πιέστε το πλήκτρο χρονοδιακόπτη έναρξης/διακοπής λειτουργίας (ρύθμιση ημέρας) ② για να ρυθμιστεί την ημέρα.  
\* Με κάθε πάτημα του πλήκτρου, προχωράει η ημέρα που εμφανίζεται στο ③: Sun → Mon → ... → Fri → Sat.
3. Πιέστε το κατάλληλο πλήκτρο ρύθμισης χρόνου ④, όπως απαιτείται, για να ρυθμίσετε την ώρα.  
\* Καθώς κρατάτε πατημένο το πλήκτρο, η ώρα (ένδειξη ④) θα αρχίσει να αυξάνεται πρώτα σε διαστήματα του ενός λεπτού, έπειτα σε διαστήματα των δέκα λεπτών και τέλος σε διαστήματα της μίας ώρας.
4. Αφού κάνετε τις κατάλληλες ρυθμίσεις στα βήματα 2 και 3, πιέστε το πλήκτρο φίλτρου ← ④ για να κλειδώσετε τις τιμές.

### 5. Λειτουργία



#### 5.1. ON (Ενεργοποίηση)/OFF (Απενεργοποίηση) <Για να ξεκινήσετε τη λειτουργία>

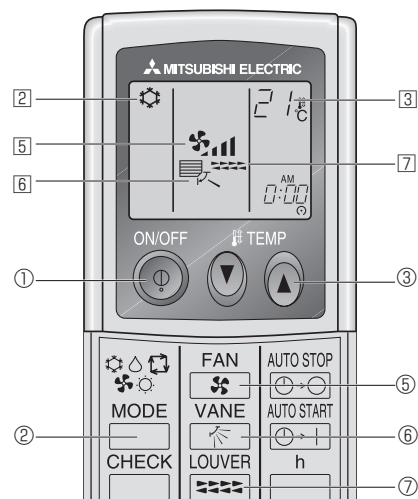
- Πιέστε το πλήκτρο έναρξης/διακοπής λειτουργίας ①.
  - Ανάβουν η λυχνία λειτουργίας ① και η περιοχή ένδειξης.

#### Παρατήρηση:

- Όταν γίνει επανεκκίνηση της μονάδας, οι αρχικές ρυθμίσεις έχουν ως εξής:

		Ρυθμίσεις τηλεχειριστηρίου	
Κατάσταση		Τελευταία ρύθμιση	
Ρύθμιση θερμοκρασίας		Τελευταία ρύθμιση	
Ταχύτητα ανεμιστήρα		Τελευταία ρύθμιση	
Ανοδική/Καθοδική ροή αέρα	Κατάσταση	COOL ή Dry	Οριζόντια έξοδος *1
		HEAT	Τελευταία ρύθμιση *2
		FAN	Οριζόντια έξοδος *1

\*1 Η τελευταία ρύθμιση μπορεί να εφαρμοστεί ανάλογα με τον τύπο της εσωτερικής μονάδας.  
\*2 Στην περίπτωση που η τελευταία ρύθμιση ήταν η αιώρηση των περσιδίων, η ροή του αέρα μπορεί να είναι προς τα κάτω ανάλογα με τον τύπο της εξωτερικής μονάδας.



#### <Για να διακόψετε τη λειτουργία>

- Πιέστε ξανά το πλήκτρο έναρξης/διακοπής λειτουργίας ①.
  - Σβήνουν η λυχνία λειτουργίας ① και η περιοχή ένδειξης.

#### Σημείωση:

Ακόμη κι αν πατήσετε το διακόπτη λειτουργίας με την ένδειξη ON/OFF για ν'ανοίξετε πάλι τη συσκευή αμέσως μόλις την κλείσατε, δεν πρόκειται να τεθεί σε λειτουργία πριν περάσουν τρία λεπτά. Αυτό συμβαίνει για να προστατεύονται τα εσωτερικά μέρη της συσκευής από τυχόν βλάβες.



## 5. Λειτουργία

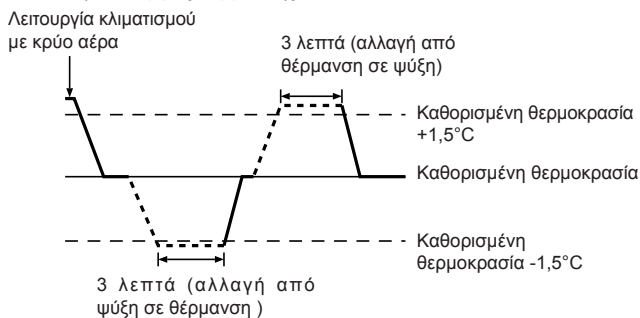
### 5.2. Επιλογή τρόπου λειτουργίας

Πατήστε το κουμπί επιλογής λειτουργίας (☐☼☼☼☼) ② και επιλέξτε τον τρόπο λειτουργίας ③.

- ☼ Λειτουργία κλιματισμού με κρύο αέρα
- ☼ Λειτουργία αφύγρυνσης
- ☼ Λειτουργία ανεμιστήρα
- ☼ Λειτουργία θέρμανσης
- ☐ Αυτόματη λειτουργία (ψύξης/θέρμανσης)

#### Αυτόματη λειτουργία

- Βάσει μιας καθορισμένης θερμοκρασίας, η λειτουργία ψύξης ξεκινά όταν η θερμοκρασία περιβάλλοντος είναι υπερβολικά υψηλή και η λειτουργία θέρμανσης ξεκινά όταν η θερμοκρασία περιβάλλοντος είναι πολύ χαμηλή.
- Κατά τη διάρκεια της αυτόματης λειτουργίας, εάν η θερμοκρασία περιβάλλοντος αλλάξει και παραμείνει στους 1,5 °C ή περισσότερο πάνω από την καθορισμένη θερμοκρασία για 3 λεπτά, το κλιματιστικό αλλάζει σε κατάσταση λειτουργίας ψύξης. Κατά τον ίδιο τρόπο, εάν η θερμοκρασία περιβάλλοντος παραμείνει στους 1,5 °C ή περισσότερο κάτω από την καθορισμένη θερμοκρασία για 3 λεπτά, το κλιματιστικό αλλάζει σε κατάσταση λειτουργίας θέρμανσης.



- Λόγω του ότι το κλιματιστικό ρυθμίζει αυτόματα τη θερμοκρασία περιβάλλοντος για να διατηρήσει μια καθορισμένη αποτελεσματική θερμοκρασία, η λειτουργία ψύξης εκτελείται μερικούς βαθμούς υψηλότερα και η λειτουργία θέρμανσης μερικούς βαθμούς χαμηλότερα σε σχέση με την καθορισμένη θερμοκρασία περιβάλλοντος, εφόσον επιτευχθεί η θερμοκρασία (αυτόματη λειτουργία εξοικονόμησης ενέργειας).

### 5.3. Ρύθμιση θερμοκρασίας

#### ► Για να χαμηλώσετε τη θερμοκρασία δωματίου:

Πατήστε το κουμπί με την ένδειξη (☐) ③ για να τοποθετήσετε τη θερμοκρασία που θέλετε.  
Η θερμοκρασία που έχετε επιλέξει εμφανίζεται ③.

#### ► Για να αυξήσετε τη θερμοκρασία δωματίου:

Πατήστε το κουμπί με την ένδειξη (☐) ③ για να τοποθετήσετε τη θερμοκρασία που θέλετε.  
Η θερμοκρασία που έχετε επιλέξει εμφανίζεται ③.

- Οι κλίμακες θερμοκρασιών που διατίθενται είναι:

Κρύος & Στεγνός αέρας: 19 - 30 °C  
Θερμός αέρας: 17 - 28 °C  
Αυτόματη λειτουργία: 19 - 28 °C

- Η ένδειξη αναβοσβήνει είτε στους 8 °C είτε στους 39 °C για να σας πληροφορήσει ότι η θερμοκρασία του δωματίου είναι χαμηλότερη ή υψηλότερα από τη θερμοκρασία που εμφανίζεται στην οθόνη.

### 5.4. Ρύθμιση ταχύτητας ανεμιστήρα

- Ενώ το σύστημα λειτουργεί, πιέστε το πλήκτρο ταχύτητας ανεμιστήρα ⑤ όσες φορές απαιτείται.

- Με κάθε πάτημα, αλλάζει η ένταση. Η τρέχουσα επιλεγμένη ταχύτητα εμφανίζεται στο ③.
- Η ακολουθία αλλαγής και οι διαθέσιμες ρυθμίσεις έχουν ως εξής.

ΤΑΧΥΤΗΤΑ ΑΝΕΜΙΣΤΗΡΑ	Ένδειξη
4 ταχυτήτων + Αυτό*	Ταχύτητα 1 → Ταχύτητα 2 → Ταχύτητα 3 → Ταχύτητα 4 → Αυτό
4 ταχυτήτων + Αυτό*	Ταχύτητα 1 → Ταχύτητα 2 → Ταχύτητα 3 → Αυτό
Μοντέλο 4 ταχυτήτων	Ταχύτητα 1 → Ταχύτητα 2 → Ταχύτητα 3 → Ταχύτητα 4

\* Για το τηλεχειριστήριο MA μόνο. Η αυτόματη ρύθμιση της ταχύτητας του ανεμιστήρα είναι απαραίτητη για το ασύρματο τηλεχειριστήριο.

#### Παρατήρηση:

- Ο αριθμός των διαθέσιμων ταχυτήτων ανεμιστήρα εξαρτάται από το είδος της μονάδας που είναι συνδεδεμένη. Σημειώσατε επίσης ότι μερικές μονάδες δεν διαθέτουν ρύθμιση αυτόματης λειτουργίας.

- Η πραγματική ταχύτητα ανεμιστήρα που παράγεται από τη μονάδα θα διαφέρει από την ταχύτητα που εμφανίζεται στην ένδειξη του τηλεχειριστηρίου στις παρακάτω περιπτώσεις:

1. Όταν στην ένδειξη εμφανίζεται STAND BY ή DEFROST.
2. Όταν η θερμοκρασία του εναλλάκτη θερμότητας είναι χαμηλή στην κατάσταση λειτουργία θέρμανσης. (π.χ. αμέσως μετά την έναρξη της λειτουργίας θέρμανσης)
3. Σε κατάσταση HEAT, όταν η θερμοκρασία δωματίου είναι υψηλότερη από τη ρύθμιση θερμοκρασίας.
4. Όταν η μονάδα βρίσκεται σε κατάσταση DRY.

#### ■ Αυτόματη ρύθμιση ταχύτητας ανεμιστήρα (Για ασύρματο τηλεχειριστήριο)

Είναι απαραίτητο να οριστεί μόνο για ασύρματο τηλεχειριστήριο όταν δεν έχει οριστεί ως προεπιλεγμένη ρύθμιση η αυτόματη ταχύτητα ανεμιστήρα.

Δεν είναι απαραίτητο να οριστεί για ενσύρματο τηλεχειριστήριο με την αυτόματη ταχύτητα ανεμιστήρα στην προεπιλεγμένη ρύθμιση.

- ① Πατήστε το κουμπί SET (Ρύθμιση) με ένα αιχμηρό αντικείμενο.

Εκτελέστε τη λειτουργία όταν η οθόνη του τηλεχειριστηρίου είναι απενεργοποιημένη.

MODE SELECT αναβοσβήνει και ο Αρ. Μοντέλου ανάβει ④.

- ② Πατήστε το (☐) κουμπί AUTO STOP (Αυτόματη Διακοπή).

☼ αναβοσβήνει και ο Αρ. ρύθμισης ανάβει ②.

(Ρύθμιση Αρ.01: χωρίς αυτόματη ταχύτητα ανεμιστήρα)

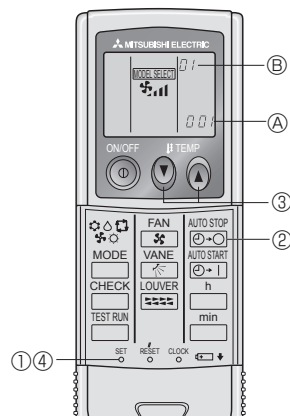
- ③ Πατήστε τα προσωρινά (☐) (☐) κουμπιά για να κάνετε τη ρύθμιση Αρ. 02.

(Ρύθμιση Αρ.02: με αυτόματη ταχύτητα ανεμιστήρα)

Αν κάνατε λάθος στη λειτουργία, πατήστε το κουμπί με την ένδειξη ON/OFF ② και εκτελέστε ξανά τη λειτουργία από το βήμα ②.

- ④ Πατήστε το κουμπί SET (Ρύθμιση) με ένα αιχμηρό αντικείμενο.

MODE SELECT και ο Αρ. Μοντέλου ανάβουν για 3 δευτερόλεπτα, έπειτα σβήνουν.



### 5.5. Ρύθμιση της κατεύθυνσης ροής αέρα

#### <Για να αλλάξετε την ανοδική/καθοδική κατεύθυνση της ροής αέρα>

- Ενώ λειτουργεί η μονάδα, πιέστε το πλήκτρο ανοδικής/καθοδικής ροής αέρα ⑤ όσες φορές απαιτείται.

- Με κάθε πάτημα, αλλάζει η κατεύθυνση. Η τρέχουσα κατεύθυνση εμφανίζεται στο ③.
- Η ακολουθία αλλαγής και οι διαθέσιμες ρυθμίσεις έχουν ως εξής.

ροής αέρα	Ένδειξη
Μοντέλο 5 βαθμίδες *1	Αιώρηση Αυτό 1 2 3 4 5
Μοντέλο 4 βαθμίδες (PMFY)	Αιώρηση 1 (Οριζόντια) 2 3 4
Μοντέλο 4 βαθμίδες (PKFY-BM)	1 (Οριζόντια) 2 3 4

\* Σημειώσατε ότι κατά τη διάρκεια της λειτουργίας αιώρησης, ο δείκτης κατεύθυνσης στην οθόνη δεν αλλάζει συγχρονισμένα με τα πτερύγια κατεύθυνσης στη συσκευή.

\* Μερικά μοντέλα δεν υποστηρίζουν ρυθμίσεις κατεύθυνσης.

\*1 Μόνο για το τηλεχειριστήριο MA, άλλη ένδειξη τηλεχειριστηρίου ίδια όπως το μοντέλο των 4 βημάτων.

\*2 Ρύθμιση της κατεύθυνσης ροής αέρα <Αυτό>  
COOL/FAN/DRY : Ρύθμιση 1 (Οριζόντια), HEAT : Ρύθμιση 5 (Κατακόρυφη 5)

#### Παρατήρηση:

- Οι διαθέσιμες κατευθύνσεις εξαρτώνται από το είδος της μονάδας που είναι συνδεδεμένη. Σημειώσατε επίσης ότι μερικές μονάδες δεν διαθέτουν ρύθμιση αυτόματης λειτουργίας.

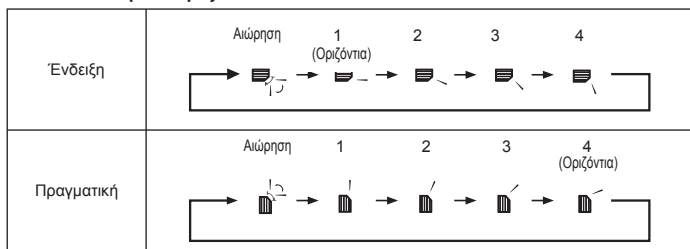
- Η πραγματική κατεύθυνση αέρα θα διαφέρει από την κατεύθυνση που υποδεικνύεται στην ένδειξη του τηλεχειριστηρίου στις παρακάτω περιπτώσεις:

1. Ενώ στην ένδειξη εμφανίζεται STAND BY ή DEFROST.
2. Αμέσως μετά την έναρξη της κατάστασης HEAT (ενώ το σύστημα βρίσκεται σε αναμονή για να ισχύσει η αλλαγή της κατάστασης).
3. Σε κατάσταση HEAT, όταν η θερμοκρασία δωματίου είναι υψηλότερη από τη ρύθμιση θερμοκρασίας.

## 5. Λειτουργία

(Για τη σειρά PFFY-P-VKM)

- Για τη σειρά PFFY-P-VKM, η κατεύθυνση της ροής του αέρα που εμφανίζεται στο τηλεχειριστήριο είναι διαφορετική από την πραγματική κατεύθυνση. Ανατρέξτε στον ακόλουθο πίνακα.



- Η κατεύθυνση ροής αέρα για το διάφραγμα στην κάτω έξοδο του αέρα δεν μπορεί να ρυθμιστεί. Η κατεύθυνση ροής του αέρα ελέγχεται αυτόματα από υπολογιστή.

<[Μη αυτόματα] Για την αλλαγή της κατεύθυνσης ροής του αέρα αριστερά/δεξιά>

\* Το κουμπί των περιδίων ⑦ δεν μπορεί να χρησιμοποιηθεί.

- Σταματήστε τη λειτουργία της συσκευής, κρατήστε το μοχλό των περιδίων, και προσαρμόστε τον στην επιθυμητή κατεύθυνση.

- \* Μην τον ρυθμίσετε με κατεύθυνση προς τα μέσα όταν η μονάδα βρίσκεται στην λειτουργία ψύξης ή αφύγρανσης επειδή υπάρχει κίνδυνος συμπύκνωσης και στάξιμο νερού.



⚠ Προσοχή:

Κατά την εκτέλεση της παραπάνω διαδικασίας φροντίστε να λάβετε τα μέτρα σας ώστε να αποφύγετε τις πτώσεις.

## 5.6. Ventilation (Εξαερισμός)

► Για τον συνδυασμό LOSSNAY

### 5.6.1. για ενσύρματο τηλεχειριστήριο

- Για να λειτουργεί ο εξαεριστήρας μαζί με την εσωτερική μονάδα:

- Πιέστε το πλήκτρο έναρξης/διακοπής λειτουργίας ①.

- Εμφανίζεται στην οθόνη ο δείκτης εξαερισμού (στο ⑧). Τώρα, ο εξαεριστήρας θα λειτουργεί αυτόματα κάθε φορά που λειτουργεί η εσωτερική μονάδα.

- Για να λειτουργεί ο εξαεριστήρας μόνο όταν είναι ανενεργή η εσωτερική μονάδα:

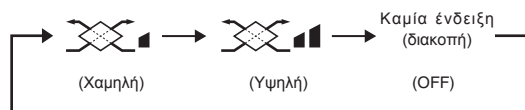
- Πιέστε το πλήκτρο εξαερισμού ⑧ ενώ είναι ανενεργή η εσωτερική μονάδα.

- Ανάβουν η λυχνία λειτουργίας (στο ①) και ο δείκτης εξαερισμού (στο ⑧).

- Για να αλλάξετε την ένταση του εξαεριστήρα:

- Πιέστε το πλήκτρο εξαερισμού ⑧, όπως απαιτείται.

- Με κάθε πάτημα, αλλάζει η ρύθμιση όπως παρουσιάζεται παρακάτω.



Παρατήρηση:

- Με μερικές διαμορφώσεις μοντέλων, ενδεχομένως να μην ενεργοποιηθεί ο ανεμιστήρας στην εσωτερική μονάδα ακόμη κι όταν έχετε ρυθμίσει τον εξαεριστήρα να λειτουργεί ανεξάρτητα.

## 6. Timer (Χρονοδιακόπτης)

### 6.1. για ενσύρματο τηλεχειριστήριο

Μπορείτε να χρησιμοποιήσετε την επιλογή λειτουργίας για να επιλέξετε έναν από τους τρεις τύπους χρονοδιακόπτη για χρήση: ① Εβδομαδιαίος χρονοδιακόπτης, ② Απλός χρονοδιακόπτης ή ③ Χρονοδιακόπτης αυτόματης διακοπής.

#### 6.1.1. Weekly Timer (Εβδομαδιαίος Χρονοδιακόπτης)

- Μπορείτε να χρησιμοποιήσετε τον εβδομαδιαίο χρονοδιακόπτη για να ρυθμίσετε έως οκτώ λειτουργίες για κάθε ημέρα της εβδομάδας.

- Κάθε λειτουργία ενδεχομένως να αποτελείται από οποιαδήποτε από τα εξής: Χρόνος έναρξης/διακοπής λειτουργίας μαζί με ρύθμιση θερμοκρασίας ή μόνο χρόνος έναρξης/διακοπής λειτουργίας ή μόνο ρύθμιση θερμοκρασίας.
- Όταν ο τρέχων χρόνος φτάσει το χρόνο που έχει ρυθμιστεί στο χρονοδιακόπτη αυτόν, το κλιματιστικό εκτελεί την ενέργεια που έχει ρυθμιστεί στο χρονοδιακόπτη.

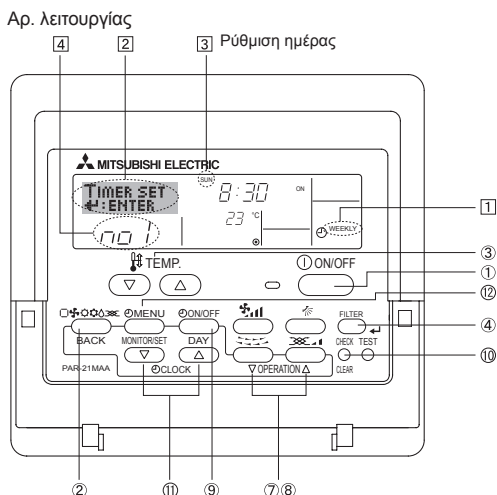
- Η ανάλυση ρύθμισης χρόνου για το χρονοδιακόπτη αυτό είναι 1 λεπτό.

Παρατήρηση:

\*1. Δεν είναι δυνατό να χρησιμοποιηθούν ταυτόχρονα: εβδομαδιαίος χρονοδιακόπτης/απλός χρονοδιακόπτης/χρονοδιακόπτης αυτόματης διακοπής.

\*2. Ο εβδομαδιαίος χρονοδιακόπτης δεν θα λειτουργεί όταν ισχύει μία από τις εξής συνθήκες:

- Ο χρονοδιακόπτης είναι ανενεργός, το σύστημα βρίσκεται σε αντικανονική κατάσταση, βρίσκεται σε εξέλιξη δοκιμή, το τηλεχειριστήριο πραγματοποιεί αυτο-έλεγχο ή έλεγχο τηλεχειριστήριου, ο χρήστης βρίσκεται στη διαδικασία ρύθμισης μιας λειτουργίας, ο χρήστης βρίσκεται στη διαδικασία ρύθμισης του χρονοδιακόπτη, ο χρήστης βρίσκεται στη διαδικασία ρύθμισης της τρέχουσας ημέρας της εβδομάδας ή της ώρας, το σύστημα ελέγχεται κεντρικά. (Ειδικότερα, το σύστημα δεν θα πραγματοποιεί λειτουργίες έναρξης λειτουργίας μονάδας, διακοπής λειτουργίας μονάδας ή ρύθμιση θερμοκρασίας) που είναι απενεργοποιημένες κατά τη διάρκεια των συνθηκών αυτών).



<Πώς να ρυθμίσετε τον εβδομαδιαίο χρονοδιακόπτη>

1. Βεβαιωθείτε ότι βρίσκεστε σε τυπική οθόνη ελέγχου και εμφανίζεται ο δείκτης εβδομαδιαίου χρονοδιακόπτη ① στην ένδειξη.
2. Πιέστε το πλήκτρο μενού χρονοδιακόπτη ② για να εμφανιστεί το Set Up στην οθόνη (στο ②). (Σημειώσατε ότι, με κάθε πάτημα του πλήκτρου, αλλάζει η ένδειξη μεταξύ Set Up και Monitor).
3. Πιέστε το πλήκτρο χρονοδιακόπτη έναρξης/διακοπής λειτουργίας (ρύθμισης ημέρας) ③ για να ρυθμίσετε την ημέρα. Με κάθε πάτημα του πλήκτρου, η ένδειξη στο ③ προχωράει στην επόμενη ρύθμιση σύμφωνα με την εξής ακολουθία: "Sun Mon Tues Wed Thurs Fri Sat" → "Sun" → ... → "Fri" → "Sat" → "Sun Mon Tues Wed Thurs Fri Sat"...
4. Πιέστε το πλήκτρο λειτουργίας ▽ ή △ (⑦ ή ⑧), όπως απαιτείται, για να επιλέξετε τον κατάλληλο αριθμό λειτουργίας (1 έως 8) ④.

- \* Με τις καταχωρίσεις σας στα βήματα 3 και 4 θα επιλέξετε ένα από τα κελιά του πίνακα που απεικονίζεται παρακάτω.

(Η ένδειξη τηλεχειριστήριου στα αριστερά παρουσιάζει τον τρόπο που θα εμφανιστεί η ένδειξη αν ρυθμίσετε τη λειτουργία 1 στις τιμές που υποδεικνύονται παρακάτω για την Κυριακή).

Πίνακας ρύθμισης

Αρ. λειτουργίας	Sunday	Monday	...	Saturday
No. 1	• 8:30 • ON • 23 °C			
No. 2	• 10:00 • OFF	• 10:00 • OFF	• 10:00 • OFF	• 10:00 • OFF
...				
No. 8				

<Ρυθμίσεις λειτουργίας 1 για την Κυριακή>  
Έναρξη κλιματιστικού στις 8:30, με τη θερμοκρασία ρυθμισμένη στους 23 °C.

<Ρυθμίσεις λειτουργίας 2 για κάθε ημέρα>  
Διακοπή της λειτουργίας του κλιματιστικού στις 10:00.

Παρατήρηση:

Αν ρυθμίσετε την ημέρα σε "Sun Mon Tues Wed Thurs Fri Sat", μπορείτε να ρυθμίσετε να πραγματοποιηθεί η ίδια λειτουργία την ίδια ώρα κάθε ημέρα. (Παράδειγμα: Η λειτουργία 2 παραπάνω, η οποία είναι η ίδια για όλες τις ημέρες της εβδομάδας).

Εμφανίζει τη ρύθμιση ⑤

Εμφανίζει την επιλεγμένη λειτουργία (έναρξη ή διακοπή λειτουργίας)

\* Δεν εμφανίζεται αν δεν είναι ρυθμισμένη η λειτουργία.

Εμφανίζει τη ρύθμιση θερμοκρασίας ⑦

\* Δεν εμφανίζεται αν δεν είναι ρυθμισμένη η θερμοκρασία.

Εμφανίζει την επιλεγμένη λειτουργία (έναρξη ή διακοπή λειτουργίας)

## 6. Timer (Χρονοδιακόπτης)

### <Ρύθμιση του εβδομαδιαίου χρονοδιακόπτη>

- Πιέστε το κατάλληλο πλήκτρο ρύθμισης χρόνου ①, όπως απαιτείται, για να ρυθμίσετε τον επιθυμητό χρόνο (στο ⑤).
- Καθώς πιέζετε το πλήκτρο παρατεταμένα, ο χρόνος αυξάνεται σταδιακά πρώτα σε βήματα του ενός λεπτού, κατόπιν σε βήματα των δέκα λεπτών και έπειτα σε βήματα της μίας ώρας.
- Πιέστε το πλήκτρο έναρξης/διακοπής λειτουργίας ② για να επιλέξετε την επιθυμητή λειτουργία (έναρξη ή διακοπή λειτουργίας) στο ⑥.
- Με κάθε πάτημα του πλήκτρου, αλλάζει η ρύθμιση σύμφωνα με την εξής ακολουθία: καμία ένδειξη (καμία ρύθμιση) → “ON” → “OFF”
- Πιέστε το κατάλληλο πλήκτρο ρύθμισης θερμοκρασίας ③ για να ρυθμίσετε την επιθυμητή θερμοκρασία (στο ⑦).
- Με κάθε πάτημα του πλήκτρου, αλλάζει η ρύθμιση σύμφωνα με την εξής ακολουθία: καμία ένδειξη (καμία ρύθμιση) ↔ 24 ↔ 25 ↔ ... ↔ 29 ↔ 30 ↔ 12 ↔ ... ↔ 23 ↔ καμία ένδειξη.  
(Διαθέσιμη περιοχή τιμών: Η περιοχή τιμών για τη ρύθμιση είναι 12 °C έως 30 °C. Όμως, η πραγματική περιοχή τιμών εντός της οποίας μπορεί να ελέγχεται η θερμοκρασία διαφέρει ανάλογα με το είδος της μονάδας που είναι συνδεδεμένη).
- Αφού κάνετε τις κατάλληλες ρυθμίσεις στα βήματα 5, 6 και 7, πιέστε το πλήκτρο φίλτρου ④ για να κλειδώσετε τις τιμές.  
Για να διαγράψετε τις τρέχουσες ρυθμισμένες τιμές για την επιλεγμένη λειτουργία, πιέστε και αφήστε γρήγορα το πλήκτρο ελέγχου (διαγραφής) ⑩ μία φορά.
- Η ρύθμιση χρόνου που εμφανίζεται θα αλλάξει σε “—:—” και θα σβήσουν οι ρυθμίσεις έναρξης/διακοπής λειτουργίας και θερμοκρασίας.  
(Για να διαγράψετε ταυτόχρονα όλες τις ρυθμίσεις εβδομαδιαίου χρονοδιακόπτη, πιέστε παρατεταμένα το πλήκτρο ελέγχου (διαγραφής) ⑩ για δύο δευτερόλεπτα ή περισσότερο. Η οθόνη αρχίζει να αναβοσβήνει, υποδηλώνοντας ότι όλες οι ρυθμίσεις έχουν διαγραφεί.)

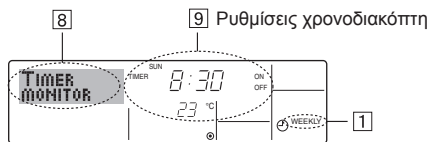
#### Παρατήρηση:

Οι νέες καταχωρίσεις που κάνετε θα ακυρωθούν αν πιέσετε το πλήκτρο κατάστασης (επιστροφής) ② πριν πιέσετε το πλήκτρο φίλτρου ④. Σε περίπτωση που έχετε ρυθμίσει δύο ή περισσότερες διαφορετικές λειτουργίες για την ίδια ώρα, θα πραγματοποιηθεί μόνο η λειτουργία με το μεγαλύτερο αριθμό λειτουργίας.

- Επαναλάβετε τα βήματα 3 έως 8, όπως απαιτείται, για να συμπληρώσετε όσα από τα διαθέσιμα κελιά επιθυμείτε.
- Πιέστε το πλήκτρο κατάστασης (επιστροφής) ② για να επιστρέψετε στην τυπική οθόνη ελέγχου και να ολοκληρώσετε τη διαδικασία ρύθμισης.
- Για να ενεργοποιήσετε το χρονοδιακόπτη, πιέστε το πλήκτρο χρονοδιακόπτη έναρξης/διακοπής λειτουργίας ②, ώστε να σβήσει ο δείκτης ανενεργού χρονοδιακόπτη από την οθόνη. **Βεβαιωθείτε ότι έσβησε ο δείκτης ανενεργού χρονοδιακόπτη.**

\* Εάν δεν υπάρχουν ρυθμίσεις χρονοδιακόπτη, η ένδειξη “Timer Off” θα αναβοσβήνει στην οθόνη.

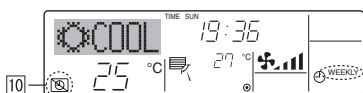
### <Πώς να προβάλετε τις ρυθμίσεις εβδομαδιαίου χρονοδιακόπτη>



- Βεβαιωθείτε ότι ο δείκτης εβδομαδιαίου χρονοδιακόπτη εμφανίζεται στην οθόνη (στο ①).
- Πιέστε το πλήκτρο μενού χρονοδιακόπτη ② για να εμφανιστεί το Monitor στην οθόνη (στο ③).
- Πιέστε το πλήκτρο χρονοδιακόπτη έναρξης/διακοπής λειτουργίας (ρύθμιση ημέρας) ③, όπως απαιτείται, για να επιλέξετε την ημέρα που επιθυμείτε να προβάλετε.
- Πιέστε το πλήκτρο λειτουργίας ⑦ ή ⑧ (⑦ ή ⑧), όπως απαιτείται, για να αλλάξετε τη λειτουργία χρονοδιακόπτη που εμφανίζεται στην ένδειξη (στο ⑨).
- Με κάθε πάτημα του πλήκτρου, θα προχωράτε στην επόμενη λειτουργία χρονοδιακόπτη σύμφωνα με τη σειρά της ρύθμισης χρόνου.
- Για να κλείσετε την παρακολούθηση και να επιστρέψετε στην τυπική οθόνη ελέγχου, πιέστε το πλήκτρο κατάστασης (επιστροφής) ②.

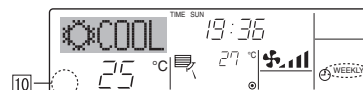
### <Για να απενεργοποιήσετε τον εβδομαδιαίο χρονοδιακόπτη>

Πιέστε το πλήκτρο χρονοδιακόπτη έναρξης/διακοπής λειτουργίας ② ώστε να εμφανιστεί ο δείκτης ανενεργού χρονοδιακόπτη στο ⑩.



### <Για να ενεργοποιήσετε τον εβδομαδιαίο χρονοδιακόπτη>

Πιέστε το πλήκτρο χρονοδιακόπτη έναρξης/διακοπής λειτουργίας ② ώστε να σβήσει ο δείκτης ανενεργού χρονοδιακόπτη (στο ⑩).



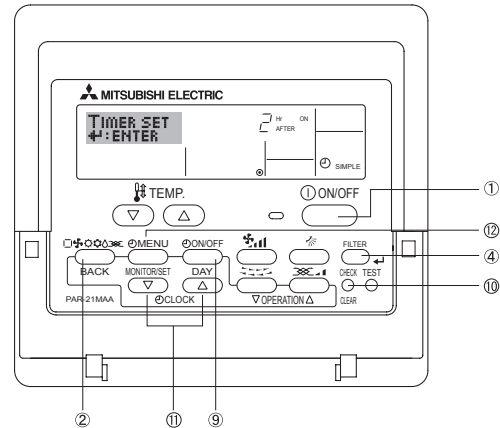
### 6.1.2. Simple Timer (Απλός Χρονοδιακόπτης)

■ Μπορείτε να ρυθμίσετε τον απλό χρονοδιακόπτη με τρεις τρόπους.

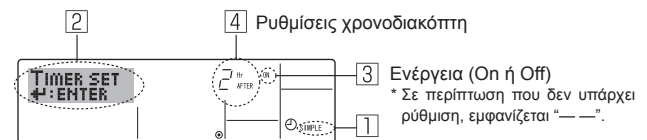
- Χρόνος έναρξης μόνο:  
Το κλιματιστικό ξεκινά όταν παρέλθει ο χρόνος ρύθμισης.
  - Χρόνος διακοπής μόνο:  
Το κλιματιστικό σταματά όταν παρέλθει ο χρόνος ρύθμισης.
  - Χρόνοι έναρξης και διακοπής:  
Το κλιματιστικό ξεκινά και σταματά όταν παρέλθουν οι αντίστοιχοι χρόνοι.
- Μπορείτε να ρυθμίσετε τον απλό χρονοδιακόπτη (έναρξη και διακοπή) μόνο μία φορά εντός χρονικού διαστήματος 72 ωρών.  
Η ρύθμιση χρόνου γίνεται με βήματα της μίας ώρας.

#### Παρατήρηση:

- Δεν είναι δυνατό να χρησιμοποιηθούν ταυτόχρονα: εβδομαδιαίος χρονοδιακόπτης/απλός χρονοδιακόπτης/χρονοδιακόπτης αυτόματης διακοπής.
- Ο απλός χρονοδιακόπτης δεν θα λειτουργεί όταν ισχύει μία από τις εξής συνθήκες:  
Ο χρονοδιακόπτης είναι ανενεργός, το σύστημα δεν βρίσκεται σε φυσιολογική κατάσταση, βρίσκεται σε εξέλιξη δοκιμή, το τηλεχειριστήριο πραγματοποιεί αυτο-έλεγχο ή διάγνωση, ο χρήστης βρίσκεται στη διαδικασία επιλογής μιας λειτουργίας, ο χρήστης βρίσκεται στη διαδικασία ρύθμισης του χρονοδιακόπτη, το σύστημα ελέγχεται κεντρικά. (Στις συνθήκες αυτές, απενεργοποιείται η λειτουργία έναρξης/διακοπής).



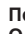
### <Πώς να ρυθμίσετε τον απλό χρονοδιακόπτη>




- Βεβαιωθείτε ότι βρίσκεστε σε τυπική οθόνη ελέγχου και εμφανίζεται ο δείκτης απλού χρονοδιακόπτη στην ένδειξη (στο ①). Όταν εμφανίζεται ένδειξη διαφορετική του απλού χρονοδιακόπτη, ρυθμίστε την στο SIMPLE TIMER χρησιμοποιώντας τη ρύθμιση λειτουργίας χρονοδιακόπτη της επιλογής λειτουργίας (βλ. 8.[4]–3 (3)).
- Πιέστε το πλήκτρο μενού χρονοδιακόπτη ② για να εμφανιστεί το Set Up στην οθόνη (στο ②). (Σημειώσατε ότι, με κάθε πάτημα του πλήκτρου, αλλάζει η ένδειξη μεταξύ Set Up και Monitor).
- Πιέστε το πλήκτρο έναρξης/διακοπής λειτουργίας ① για να εμφανιστεί η τρέχουσα ρύθμιση απλού χρονοδιακόπτη ON ή OFF. Πιέστε το πλήκτρο μία φορά για να εμφανιστεί ο χρόνος που απομένει έως την έναρξη και κατόπιν πιέστε το ξανά για να εμφανιστεί ο χρόνος που απομένει έως τη διακοπή. (Ο δείκτης έναρξης/διακοπής λειτουργίας εμφανίζεται στο ③).
- Χρονοδιακόπτης έναρξης:  
Το κλιματιστικό θα αρχίσει να λειτουργεί όταν παρέλθει ο καθορισμένος αριθμός ωρών.
- Χρονοδιακόπτης διακοπής:  
Το κλιματιστικό θα σταματήσει να λειτουργεί όταν παρέλθει ο καθορισμένος αριθμός ωρών.
- Με ON ή OFF να εμφανίζεται στο ③: Πιέστε το κατάλληλο πλήκτρο ρύθμισης χρόνου ①, όπως απαιτείται, για να ρυθμίσετε τις ώρες έως την έναρξη λειτουργίας (αν εμφανίζεται ON) ή τις ώρες έως τη διακοπή λειτουργίας (αν εμφανίζεται OFF στο ④).
- Διαθέσιμη περιοχή τιμών: 1 έως 72 ώρες.
- Για να ρυθμίσετε τις ώρες έναρξης και διακοπής λειτουργίας, επαναλάβετε τα βήματα 3 και 4.  
\* Σημειώσατε ότι δεν μπορείτε να ρυθμίσετε τις ώρες έναρξης και διακοπής λειτουργίας στην ίδια τιμή.
- Για να διαγράψετε την τρέχουσα ρύθμιση έναρξης ή διακοπής λειτουργίας: Εμφανίστε τη ρύθμιση έναρξης ή διακοπής λειτουργίας (βλ. βήμα 3) και κατόπιν πιέστε το πλήκτρο ελέγχου (διαγραφής) ⑩ ώστε η ρύθμιση χρόνου να αλλάξει σε “—” στο ④. (Σε περίπτωση που επιθυμείτε να χρησιμοποιήσετε μόνο τη ρύθμιση έναρξης λειτουργίας ή μόνο τη ρύθμιση διακοπής λειτουργίας, βεβαιωθείτε ότι εμφανίζεται ως “—” η ρύθμιση που δεν επιθυμείτε να χρησιμοποιήσετε).




## 6. Timer (Χρονοδιακόπτης)

7. Αφού ολοκληρώσετε τα παραπάνω βήματα 3 έως 6, πιάστε το πλήκτρο φίλτρου  ④ για να κλειδώσετε την τιμή.

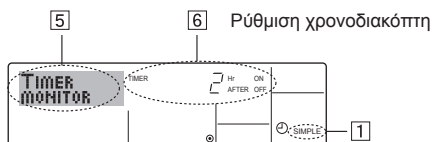
**Παρατήρηση:**

Οι νέες ρυθμίσεις που κάνετε θα ακυρωθούν αν πιάσετε το πλήκτρο κατάστασης (επιστροφής) ② πριν πιάσετε το πλήκτρο φίλτρο  ④.


8. Πιάστε το πλήκτρο κατάστασης (επιστροφής) ② για να επιστρέψετε στην τυπική οθόνη ελέγχου.

9. Πιάστε το πλήκτρο έναρξης/διακοπής λειτουργίας χρονοδιακόπτη  ⑨ για να ξεκινήσετε την αντίστροφη μέτρηση του χρονοδιακόπτη. Όταν λειτουργεί ο χρονοδιακόπτης, ως ένδειξη εμφανίζεται η τιμή του χρονοδιακόπτη. **Βεβαιωθείτε ότι η τιμή του χρονοδιακόπτη είναι ορατή και σωστή.**

<Προβολή των τρεχουσών ρυθμίσεων απλού χρονοδιακόπτη>




1. Βεβαιωθείτε ότι ο δείκτης απλού χρονοδιακόπτη εμφανίζεται στην οθόνη (στο ①).

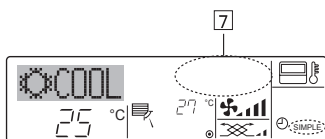
2. Πιάστε το πλήκτρο μενού χρονοδιακόπτη  ⑤ για να εμφανιστεί η ένδειξη Monitor στην οθόνη (στο ⑤).

- Σε περίπτωση που βρίσκεται σε λειτουργία ο απλός χρονοδιακόπτης έναρξης ή διακοπής λειτουργίας, εμφανίζεται η τρέχουσα τιμή του χρονοδιακόπτη στο ⑤.
- Σε περίπτωση που έχουν γίνει και οι δύο ρυθμίσεις έναρξης και διακοπής λειτουργίας, εμφανίζονται διαδοχικά οι δύο αυτές τιμές.


3. Πιάστε το πλήκτρο κατάστασης (επιστροφής) ② για να κλείσετε την ένδειξη παρακολούθησης και να επιστρέψετε στην τυπική οθόνη ελέγχου.

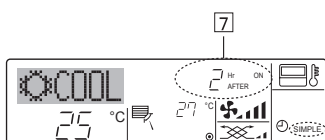
<Για να απενεργοποιήσετε τον απλό χρονοδιακόπτη>

Πιάστε το πλήκτρο χρονοδιακόπτη έναρξης/διακοπής λειτουργίας  ⑨ ώστε να μην εμφανίζεται πλέον η ρύθμιση χρονοδιακόπτη στην οθόνη (στο ⑦).



<Για να ξεκινήσετε τον απλό χρονοδιακόπτη>

Πιάστε το πλήκτρο χρονοδιακόπτη έναρξης/διακοπής λειτουργίας  ⑨ ώστε να εμφανιστεί η ρύθμιση χρονοδιακόπτη στο ⑦.



### Παραδείγματα

Σε περίπτωση που έχουν ρυθμιστεί οι ώρες έναρξης και διακοπής λειτουργίας στον απλό χρονοδιακόπτη, η λειτουργία και η ένδειξη υποδεικνύονται παρακάτω.

Παράδειγμα 1:

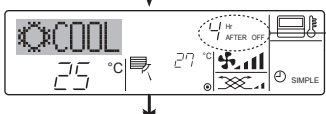
Έναρξη χρονοδιακόπτη με ορισμό ώρας ενεργοποίησης που προηγείται της ώρας απενεργοποίησης.

Ρύθμιση έναρξης λειτουργίας: 3 ώρες

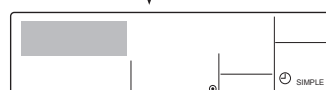
Ρύθμιση διακοπής λειτουργίας: 7 ώρες



Στην έναρξη χρονοδιακόπτη Η ένδειξη εμφανίζει τη ρύθμιση έναρξης λειτουργίας του χρονοδιακόπτη (ώρες που απομένουν έως την έναρξη λειτουργίας).



Στις 3 ώρες μετά την έναρξη του χρονοδιακόπτη Η ένδειξη αλλάζει ώστε να εμφανίζει τη ρύθμιση διακοπής λειτουργίας του χρονοδιακόπτη (ώρες που απομένουν έως τη διακοπή λειτουργίας). Ο χρόνος που εμφανίζεται είναι ρύθμιση OFF (7 ώρες) - ρύθμιση ON (3 ώρες) = 4 ώρες.



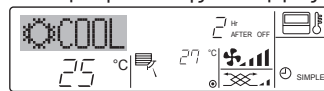
Στις 7 ώρες μετά την έναρξη του χρονοδιακόπτη Το κλιματιστικό σβήνει και παραμένει απενεργοποιημένο έως ότου ενεργοποιηθεί ξανά.

Παράδειγμα 2:

Έναρξη χρονοδιακόπτη με ορισμό ώρας απενεργοποίησης που προηγείται της ώρας ενεργοποίησης.

Ρύθμιση έναρξης λειτουργίας: 5 ώρες

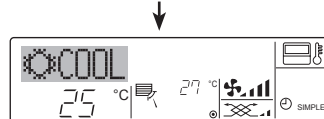
Ρύθμιση διακοπής λειτουργίας: 2 ώρες



Στην έναρξη χρονοδιακόπτη Η ένδειξη εμφανίζει τη ρύθμιση διακοπής λειτουργίας του χρονοδιακόπτη (ώρες που απομένουν έως τη διακοπή λειτουργίας).



Στις 3 ώρες μετά την έναρξη του χρονοδιακόπτη Η ένδειξη αλλάζει ώστε να εμφανίζει τη ρύθμιση έναρξης λειτουργίας του χρονοδιακόπτη (ώρες που απομένουν έως την έναρξη λειτουργίας). Ο χρόνος που εμφανίζεται είναι ρύθμιση ON (5 ώρες) - ρύθμιση OFF (2 ώρες) = 3 ώρες.



Στις 5 ώρες μετά την έναρξη του χρονοδιακόπτη Το κλιματιστικό ενεργοποιείται και συνεχίζει να λειτουργεί έως ότου απενεργοποιηθεί.

### 6.1.3. Auto Off Timer (Χρονοδιακόπτης Αυτόματης Απενεργοποίησης)

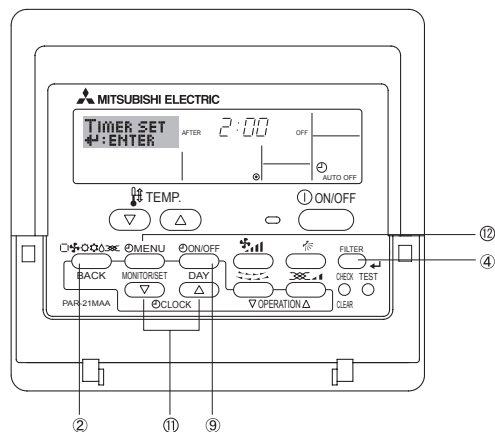
■ Ο χρονοδιακόπτης αυτός ξεκινάει αντίστροφη μέτρηση όταν αρχίσει το κλιματιστικό να λειτουργεί και διακόπτει τη λειτουργία του κλιματιστικού όταν παρέλθει ο ρυθμισμένος χρόνος.

■ Οι διαθέσιμες ρυθμίσεις είναι από 30 λεπτά έως 4 ώρες, σε βήματα των 30 λεπτών.

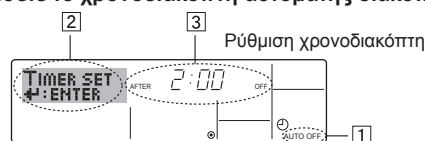
**Παρατήρηση:**

\*1. Δεν είναι δυνατό να χρησιμοποιηθούν ταυτόχρονα: εβδομαδιαίος χρονοδιακόπτης/απλός χρονοδιακόπτης/χρονοδιακόπτης αυτόματης διακοπής.

\*2. Ο χρονοδιακόπτης αυτόματης διακοπής δεν θα λειτουργεί όταν ισχύει μία από τις εξής συνθήκες: Ο χρονοδιακόπτης είναι ανενεργός, το σύστημα δεν βρίσκεται σε φυσιολογική κατάσταση, βρίσκεται σε εξέλιξη δοκιμή, το τηλεχειριστήριο πραγματοποιεί αυτο-έλεγχο ή διάγνωση, ο χρήστης βρίσκεται στη διαδικασία επιλογής μιας λειτουργίας, ο χρήστης βρίσκεται στη διαδικασία ρύθμισης του χρονοδιακόπτη, το σύστημα ελέγχεται κεντρικά. (Στις συνθήκες αυτές, απενεργοποιείται η λειτουργία έναρξης/διακοπής).

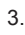


<Πώς να ρυθμίσετε το χρονοδιακόπτη αυτόματης διακοπής>

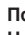


1. Βεβαιωθείτε ότι βρίσκεστε σε τυπική οθόνη ελέγχου και εμφανίζεται ο δείκτης χρονοδιακόπτη αυτόματης διακοπής στην ένδειξη (στο ①).

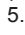
Όταν εμφανίζεται ένδειξη διαφορετική του χρονοδιακόπτη αυτόματης διακοπής, ρυθμίστε την στο AUTO OFF TIMER χρησιμοποιώντας τη ρύθμιση λειτουργίας χρονοδιακόπτη της επιλογής λειτουργίας (βλ. 8.[4]-3 (3)).

2. Πιάστε παρατεταμένα το πλήκτρο μενού χρονοδιακόπτη  ② για 3 δευτερόλεπτα για να εμφανιστεί το Set Up στην οθόνη (στο ②). (Σημειώσατε ότι, με κάθε πάτημα του πλήκτρου, αλλάζει η ένδειξη μεταξύ Set Up και Monitor).

3. Πιάστε το κατάλληλο πλήκτρο ρύθμισης χρόνου ⑩, όπως απαιτείται, για να ρυθμίσετε το χρόνο διακοπής (στο ③).

4. Πιάστε το πλήκτρο φίλτρο  ④ για να κλειδώσετε τη ρύθμιση.

**Παρατήρηση:**

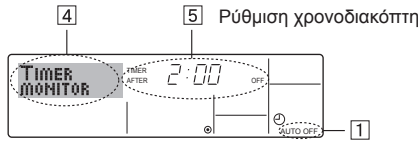
Η καταχώριση που κάνετε θα ακυρωθεί αν πιάσετε το πλήκτρο κατάστασης (επιστροφής) ② πριν πιάσετε το πλήκτρο φίλτρου  ④.

5. Πιάστε το πλήκτρο κατάστασης (επιστροφής) ② για να ολοκληρώσετε τη διαδικασία ρύθμισης και να επιστρέψετε στην τυπική οθόνη ελέγχου.

6. Σε περίπτωση που ήδη λειτουργεί το κλιματιστικό, το χρονομέτρο αρχίζει αμέσως την αντίστροφη μέτρηση. **Βεβαιωθείτε ότι εμφανίζεται σωστά η ρύθμιση χρονοδιακόπτη στην ένδειξη.**

## 6. Timer (Χρονοδιακόπτης)

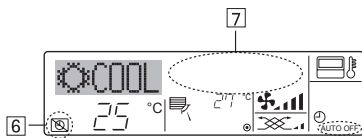
<Έλεγχος της τρέχουσας ρύθμισης χρονοδιακόπτη αυτόματης διακοπής>



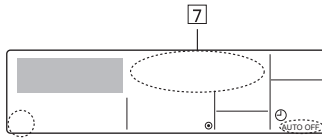
1. Βεβαιωθείτε ότι εμφανίζεται στην οθόνη η ένδειξη "Auto Off" (στο 1).
2. Πιέστε παρατεταμένα το πλήκτρο μενού χρονοδιακόπτη 2 για 3 δευτερόλεπτα για να εμφανιστεί το Monitor στην οθόνη (στο 4).
  - Ο χρόνος που απομένει έως τη διακοπή εμφανίζεται στο 5.
3. Για να κλείσετε την παρακολούθηση και να επιστρέψετε στην τυπική οθόνη ελέγχου, πιέστε το πλήκτρο κατάστασης (επιστροφής) 2.

<Για να απενεργοποιήσετε τον χρονοδιακόπτη αυτόματης διακοπής>

- Πιέστε παρατεταμένα το πλήκτρο έναρξης/διακοπής χρονοδιακόπτη 9 για 3 δευτερόλεπτα ώστε να εμφανιστεί ο δείκτης ανενεργού χρονοδιακόπτη (στο 6) και να σβήσει η τιμή του χρονοδιακόπτη (στο 7).

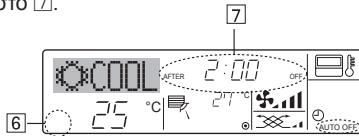


- Εναλλακτικά, σβήστε το ίδιο το κλιματιστικό. Θα σβήσει η τιμή του χρονοδιακόπτη (στο 7) από την οθόνη.



<Για να ξεκινήσετε τον χρονοδιακόπτη αυτόματης διακοπής>

- Πιέστε παρατεταμένα το πλήκτρο έναρξης/διακοπής χρονοδιακόπτη 9 για 3 δευτερόλεπτα. Σβήνει ο δείκτης ανενεργού χρονοδιακόπτη (στο 6) και εμφανίζεται η ρύθμιση χρονοδιακόπτη στην ένδειξη (στο 7).
- Εναλλακτικά, ανάψτε το κλιματιστικό. Η τιμή του χρονοδιακόπτη θα εμφανιστεί στο 7.



## 7. Άλλες λειτουργίες

### 7.1. Κλειδώμα των πλήκτρων του τηλεχειριστηρίου (όριο λειτουργίας)

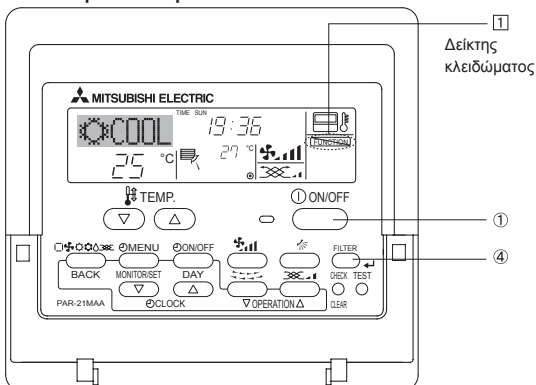
- Αν το επιθυμείτε, μπορείτε να κλειδώσετε τα πλήκτρα του τηλεχειριστηρίου. Έχετε τη δυνατότητα να χρησιμοποιήσετε την επιλογή λειτουργίας του τηλεχειριστηρίου για να επιλέξετε το είδος κλειδώματος που θα χρησιμοποιήσετε. (Για πληροφορίες σχετικά με την επιλογή του είδους κλειδώματος, ανατρέξτε στην ενότητα 8, αντικείμενο [4]-2 (1)).

Ειδικότερα, μπορείτε να χρησιμοποιήσετε οποιοδήποτε από τα εξής δύο είδη κλειδώματος.

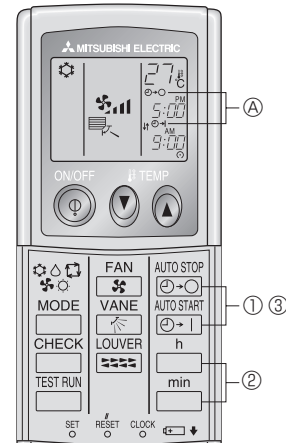
- 1 Κλειδώμα όλων των πλήκτρων:  
Κλειδώνει όλα τα πλήκτρα του τηλεχειριστηρίου.
- 2 Κλειδώμα όλων των πλήκτρων εκτός του πλήκτρου ON/OFF:  
Κλειδώνει όλα τα πλήκτρα εκτός από το πλήκτρο λειτουργίας (ON/OFF).

**Παρατήρηση:**

Στην οθόνη εμφανίζεται ο δείκτης κλειδώματος για να υποδείξει ότι τα πλήκτρα είναι τώρα κλειδωμένα.



## 6.2. Για το τηλεχειριστήριο



- 1 Πιέστε το κουμπί ή (TIMER SET) (Ρύθμιση χρονοδιακόπτη).

- Η ρύθμιση της ώρας μπορεί να γίνει όταν στην οθόνη αναβοσβήνουν τα παρακάτω σύμβολα.

OFF timer (Χρονοδιακόπτης OFF):

αναβοσβήνουν τα σύμβολα .

ON timer (Χρονοδιακόπτης ON):

αναβοσβήνουν τα σύμβολα .

- 2 Χρησιμοποιήστε τα κουμπιά και για να επιλέξετε τον επιθυμητό χρόνο.

- 3 Ακύρωση του χρόνου.

Για ακύρωση του OFF timer (Χρονοδιακόπτης OFF), πιέστε το κουμπί .

Για ακύρωση του ON timer (Χρονοδιακόπτης ON), πιέστε το κουμπί .

- Μπορείτε επίσης να συνδυάσετε τους δύο χρονοδιακόπτες OFF και ON.
- Η πίεση του κουμπιού 1 ON/OFF του τηλεχειριστηρίου κατά τη λειτουργία του χρονοδιακόπτη, για διακοπή της λειτουργίας της μονάδας, προκαλεί την ακύρωση των χρονοδιακοπών.
- Εάν δεν έχει γίνει ρύθμιση της τρέχουσας ώρας, η λειτουργία χρονοδιακόπτη δεν μπορεί να χρησιμοποιηθεί.

<Πώς να κλειδώσετε τα πλήκτρα>

1. Ενώ πιέζετε το πλήκτρο φίλτρου 4, πιέστε παρατεταμένα το πλήκτρο λειτουργίας (ON/OFF) 1 για 2 δευτερόλεπτα. Εμφανίζεται ο δείκτης κλειδώματος στην οθόνη (στο 1), υποδεικνύοντας ότι είναι τώρα ανενεργοποιημένο το κλειδώμα.

- \* Σε περίπτωση που έχει απενεργοποιηθεί το κλειδώμα από την επιλογή λειτουργίας, στην οθόνη θα εμφανιστεί το μήνυμα "Not Available" (Δεν διατίθεται) όταν πιέζετε τα πλήκτρα όπως περιγράφεται παραπάνω.



- Αν πιέσετε ένα κλειδωμένο πλήκτρο, ως ένδειξη αναβοσβήνει ο δείκτης κλειδώματος (στο 1).



<Πώς να ξεκλειδώσετε τα πλήκτρα>

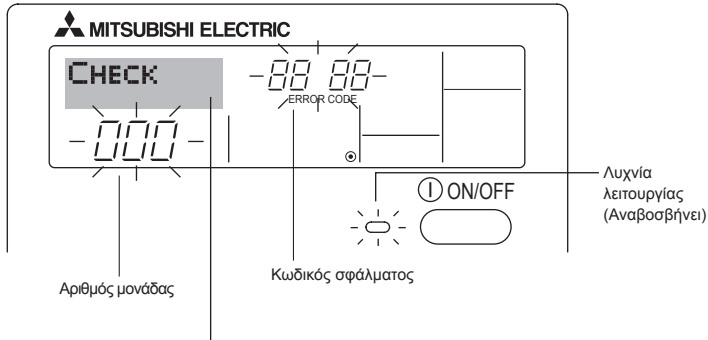
1. Ενώ πιέζετε το πλήκτρο φίλτρου 4, πιέστε παρατεταμένα το πλήκτρο λειτουργίας (ON/OFF) 1 για 2 δευτερόλεπτα ώστε να σβήσει από την οθόνη ο δείκτης κλειδώματος (στο 1).





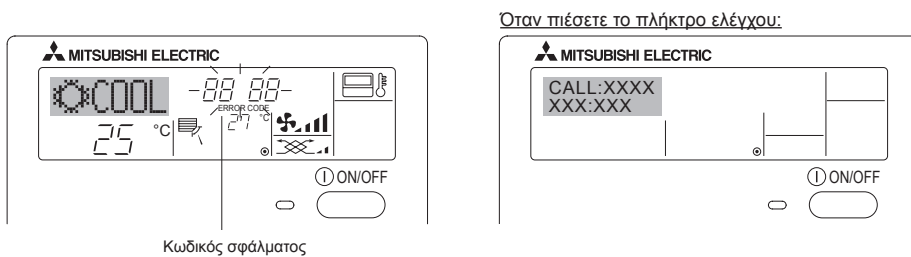
## 7. Άλλες λειτουργίες

### 7.2. Ένδειξη κωδικών σφάλματων



Αν έχετε εισάγει κάποιον τηλεφωνικό αριθμό τον οποίο μπορείτε να καλέσετε σε περίπτωση κάποιου προβλήματος, στην οθόνη θα εμφανίζεται ο αριθμός αυτός. (Η ρύθμιση αυτή μπορεί να γίνει στην επιλογή λειτουργίας. Για πληροφορίες, ανατρέξτε στην ενότητα 8).

- Εάν αναβοσβήνει η λυχνία λειτουργίας και ο κωδικός σφάλματος: Αυτό σημαίνει ότι το κλιματιστικό είναι χαλασμένο και έχει διακοπεί η λειτουργία (δεν είναι δυνατή η επαναφορά του). Σημειώστε τον αριθμό μονάδας και τον κωδικό σφάλματος που υποδεικνύονται, αποσυνδέστε το κλιματιστικό από την ηλεκτρική παροχή και καλέστε τον πωλητή ή τον υπεύθυνο συντήρησης.



- Εάν αναβοσβήνει μόνο ο κωδικός σφάλματος (ενώ παραμένει αναμμένη η λυχνία λειτουργίας): Η λειτουργία συνεχίζεται, αλλά ενδεχομένως να υπάρχει πρόβλημα με το σύστημα. Στην περίπτωση αυτή, θα πρέπει να σημειώσετε τον κωδικό σφάλματος και κατόπιν να καλέσετε τον πωλητή ή τον υπεύθυνο συντήρησης για συμβουλή.

\* Αν έχετε εισάγει κάποιον τηλεφωνικό αριθμό τον οποίο μπορείτε να καλέσετε σε περίπτωση κάποιου προβλήματος, πιέστε το πλήκτρο ελέγχου για να το εμφανίσετε στην οθόνη. (Η ρύθμιση αυτή μπορεί να γίνει στην επιλογή λειτουργίας. Για πληροφορίες, ανατρέξτε στην ενότητα 8).

## 8. Επιλογή λειτουργίας

### Επιλογή λειτουργίας τηλεχειριστηρίου

Η ρύθμιση των ακόλουθων λειτουργιών τηλεχειριστηρίου μπορεί να αλλάξει με τη χρήση της επιλογής λειτουργίας του τηλεχειριστηρίου. Αλλάξτε τις ρυθμίσεις όταν είναι απαραίτητο.

Στοιχείο 1	Στοιχείο 2	Στοιχείο 3 (Πληροφορίες ρύθμισης)
1. Αλλαγή γλώσσας ("CHANGE LANGUAGE")	Ρύθμιση γλώσσας εμφάνισης	• Είναι δυνατή η εμφάνιση των ενδείξεων σε πολλές γλώσσες
2. Όριο λειτουργίας ("FUNCTION SELECTION")	(1) Ρύθμιση ορίου λειτουργίας (λειτουργία κλειδώματος) ("LOCKING FUNCTION")	• Ρύθμιση του εύρους του ορίου λειτουργίας (λειτουργία κλειδώματος)
	(2) Χρήση ρύθμισης αυτόματης λειτουργίας ("SELECT AUTO MODE")	• Ενεργοποίηση ή μη της "αυτόματης" λειτουργίας
	(3) Ρύθμιση εύρους θερμοκρασίας ("LIMIT TEMP FUNCTION")	• Ρύθμιση του εύρους επιλεγόμενης θερμοκρασίας (μέγιστη τιμή, ελάχιστη τιμή)
3. Επιλογή λειτουργίας ("MODE SELECTION")	(1) Ρύθμιση κύριου/δευτερεύοντος τηλεχειριστηρίου ("CONTROLLER MAIN/SUB")	• Επιλογή του κυρίου ή του δευτερεύοντος τηλεχειριστηρίου * Όταν συνδέονται δύο τηλεχειριστήρια σε μία ομάδα, το ένα τηλεχειριστήριο πρέπει να οριστεί ως δευτερεύον.
	(2) Ρύθμιση ώρας ("CLOCK")	• Ενεργοποίηση ή μη της λειτουργίας ρολογιού
	(3) Ρύθμιση λειτουργίας χρονοδιακόπτη ("WEEKLY TIMER")	• Ρύθμιση του τύπου χρονομέτρου
	(4) Ρύθμιση αριθμού επικοινωνίας σε περίπτωση τεχνικού προβλήματος ("CALL.")	• Αριθμός επικοινωνίας σε περίπτωση τεχνικού προβλήματος • Επιλογή του αριθμού τηλεφώνου
4. Αλλαγή ενδείξεων ("DISP MODE SETTING")	(1) Επιλογή μονάδας μέτρησης θερμοκρασίας °C/°F ("TEMP MODE °C/°F")	• Ρύθμιση της μονάδας θερμοκρασίας (°C ή °F) που θα εμφανίζεται
	(2) Ρύθμιση ένδειξης θερμοκρασίας εισερχόμενου αέρα ("ROOM TEMP DISP SELECT")	• Ενεργοποίηση ή μη της εμφάνισης της ένδειξης θερμοκρασίας εσωτερικού (εισερχόμενου) αέρα
	(3) Ρύθμιση ένδειξης αυτόματης ψύξης/θέρμανσης ("AUTO MODE DISP C/H")	• Ενεργοποίηση ή μη της εμφάνισης της ένδειξης "Cooling" (Ψύξη) ή "Heating" (Θέρμανση) κατά τη διάρκεια αυτόματης λειτουργίας

# 8. Επιλογή λειτουργίας

## [Διάγραμμα επιλογής λειτουργίας] Ρύθμιση γλώσσας (Αγγλικά)

Κανονικές ενδείξεις (Ενδείξεις όταν το κλιματιστικό δεν λειτουργεί)

Κρατήστε πατημένο το κουμπί ⑤ και πατήστε το κουμπί ④ για δύο δευτερόλεπτα.

Κρατήστε πατημένο το κουμπί ⑤ και πατήστε το κουμπί ④ για δύο δευτερόλεπτα.

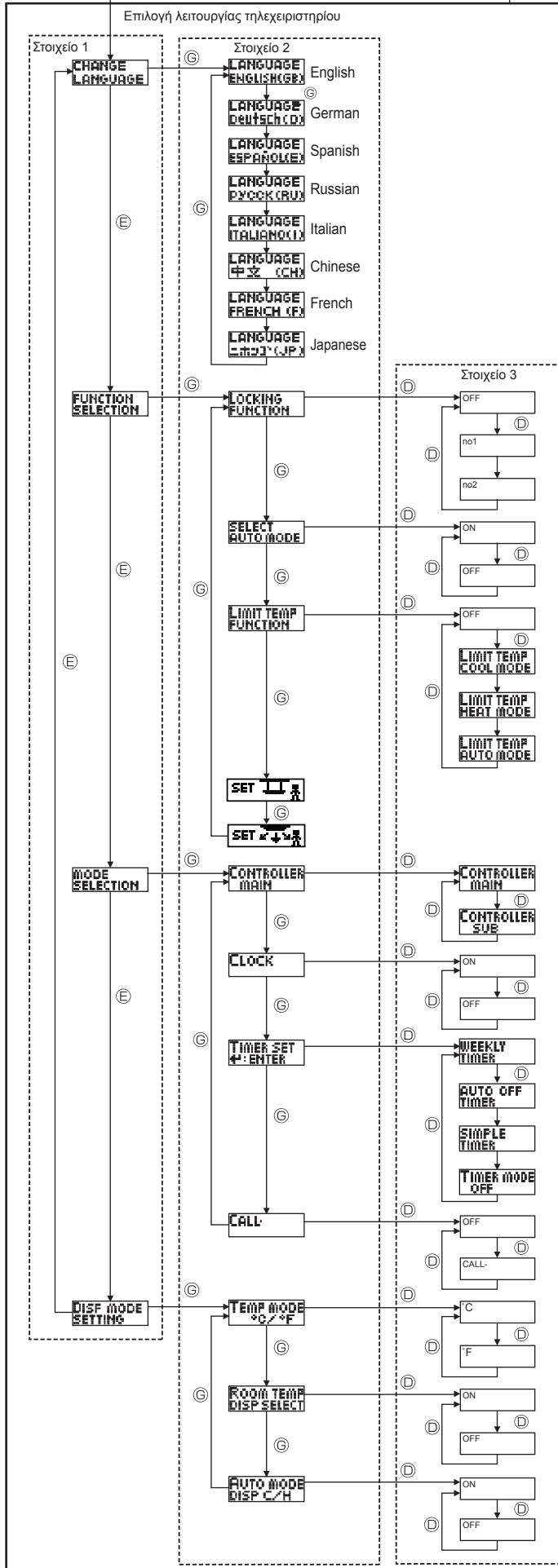
- ⑤ Πατήστε το κουμπί κατάστασης λειτουργίας.
- ④ Πατήστε το κουμπί TIMER MENU (MENOY ΧΡΟΝΟΔΙΑΚΟΠΤΗ).
- ④ Πατήστε το κουμπί TIMER ON/OFF (ΕΝΕΡΓΟΠΟΙΗΣΗ/ ΑΠΕΝΕΡΓΟΠΟΙΗΣΗ ΧΡΟΝΟΔΙΑΚΟΠΤΗ).

Αλλαγή γλώσσας

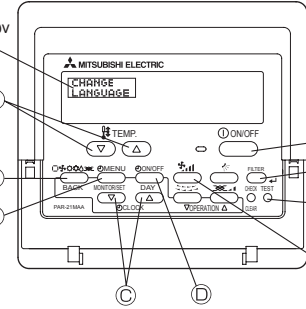
Επιλογή λειτουργίας

Επιλογή κατάστασης λειτουργίας

Αλλαγή ενδείξεων



Οθόνη κουκίδων



- Η ρύθμιση της λειτουργίας κλειδώματος δεν χρησιμοποιείται. (Τιμή αρχικής ρύθμισης)
- Η ρύθμιση της λειτουργίας κλειδώματος δεν ισχύει για τα κουμπιά On/Off (Ενεργοποίηση/Απενεργοποίηση).
- Η ρύθμιση της λειτουργίας κλειδώματος ισχύει για όλα τα κουμπιά.
- Η ένδειξη αυτόματης λειτουργίας εμφανίζεται όταν επιλέγεται η κατάσταση λειτουργίας. (Τιμή αρχικής ρύθμισης)
- Η ένδειξη αυτόματης λειτουργίας δεν εμφανίζεται όταν επιλέγεται η κατάσταση λειτουργίας.
- Το εύρος θερμοκρασίας δεν είναι ενεργό. (Τιμή αρχικής ρύθμισης)
- Το εύρος θερμοκρασίας μπορεί να αλλάξει στη λειτουργία ψύξης/ αφύγρασης.
- Το εύρος θερμοκρασίας μπορεί να αλλάξει στη λειτουργία θέρμανσης.
- Το εύρος θερμοκρασίας μπορεί να αλλάξει στην αυτόματη λειτουργία.
- Λειτουργία αυτόματης μετακίνησης πάνω/κάτω φανώματος φίλτρου Δεν είναι απαραίτητη η επιλογή αυτής της λειτουργίας. Ανατρέξτε στο ΕΓΧΕΙΡΙΔΙΟ ΟΔΗΓΙΩΝ ΧΡΗΣΕΩΣ των προαιρετικών μερών (φάνωμα) για λεπτομέρειες σχετικά με αυτή τη λειτουργία.
- Λειτουργία σταθεροποιημένης κατεύθυνσης ροής αέρα Δεν είναι απαραίτητη η επιλογή αυτής της λειτουργίας. Ανατρέξτε στο ΕΓΧΕΙΡΙΔΙΟ ΟΔΗΓΙΩΝ ΧΡΗΣΕΩΣ της εσωτερικής μονάδας για λεπτομέρειες σχετικά με αυτή τη λειτουργία.
- Το τηλεχειριστήριο θα είναι το κύριο τηλεχειριστήριο. (Τιμή αρχικής ρύθμισης)
- Το τηλεχειριστήριο θα είναι το δευτερεύον τηλεχειριστήριο.
- Η λειτουργία ρολογιού είναι ενεργοποιημένη. (Τιμή αρχικής ρύθμισης)
- Η λειτουργία ρολογιού δεν είναι ενεργοποιημένη.
- Μπορεί να χρησιμοποιηθεί η λειτουργία Weekly timer (Εβδομαδιαίος χρονοδιακόπτης). (Τιμή αρχικής ρύθμισης)
- Μπορεί να χρησιμοποιηθεί η λειτουργία Auto off timer (Χρονοδιακόπτης αυτόματης απενεργοποίησης).
- Μπορεί να χρησιμοποιηθεί η λειτουργία Simple timer (Απλός χρονοδιακόπτης).
- Δεν μπορεί να χρησιμοποιηθεί η λειτουργία χρονοδιακόπτη.
- Σε περίπτωση σφάλματος δεν εμφανίζονται οι καθορισμένοι αριθμοί επικοινωνίας. (Τιμή αρχικής ρύθμισης)
- Σε περίπτωση σφάλματος εμφανίζονται καθορισμένοι αριθμοί επικοινωνίας.
- Χρησιμοποιείται η μονάδα θερμοκρασίας °C. (Τιμή αρχικής ρύθμισης)
- Χρησιμοποιείται η μονάδα θερμοκρασίας °F.
- Εμφανίζεται η θερμοκρασία αέρα περιβάλλοντος. (Τιμή αρχικής ρύθμισης)
- Δεν εμφανίζεται η θερμοκρασία αέρα περιβάλλοντος.
- Όταν έχει επιλεγεί η αυτόματη λειτουργία, εμφανίζεται είτε η ένδειξη "Automatic cooling" (Αυτόματη ψύξη), είτε η ένδειξη "Automatic heating" (Αυτόματη θέρμανση). (Τιμή αρχικής ρύθμισης)
- Εμφανίζεται μόνο η ένδειξη "Automatic" (Αυτόματη λειτουργία) όταν έχει επιλεγεί η αυτόματη λειτουργία.

## 8. Επιλογή λειτουργίας

### [Λεπτομέρειες ρύθμισης]

#### [4]-1 Ρύθμιση CHANGE LANGUAGE (ΑΛΛΑΓΗ ΓΛΩΣΣΑΣ)

Μπορεί να επιλεγεί η γλώσσα που θα εμφανίζεται στην οθόνη κουκίδων.

- Πιέστε το κουμπί [⊖ MENU] ⊕ για να αλλάξετε τη γλώσσα.
  - ① Αγγλικά (GB), ② Γερμανικά (D), ③ Ισπανικά (E), ④ Ρώσικα (RU), ⑤ Ιταλικά (I), ⑥ Κινέζικα (CH), ⑦ Γαλλικά (F), ⑧ Ιαπωνικά (JP)

Ανατρέξτε στον πίνακα οθόνης κουκίδων.

#### [4]-2 Όριο λειτουργίας

##### (1) Ρύθμιση ορίου λειτουργίας (λειτουργία κλειδώματος)

- Για να αλλάξετε τη ρύθμιση, πατήστε το κουμπί [⊖ ON/OFF] ⊕.
  - ① no1: Η ρύθμιση της λειτουργίας κλειδώματος ισχύει για όλα τα κουμπιά εκτός από το [⊖ ON/OFF].
  - ② no2: Η ρύθμιση της λειτουργίας κλειδώματος ισχύει για όλα τα κουμπιά.
  - ③ OFF (Τιμή αρχικής ρύθμισης):  
Η λειτουργία κλειδώματος δεν είναι ενεργοποιημένη.
- \* Για να ενεργοποιήσετε τη ρύθμιση λειτουργίας κλειδώματος στην κανονική οθόνη, είναι απαραίτητο να πατήσετε κάποια κουμπιά (Πατήστε ταυτόχρονα και κρατήστε πατημένα τα κουμπιά [FILTER] και [① ON/OFF] για δύο δευτερόλεπτα) στην κανονική οθόνη αφού γίνει η παραπάνω ρύθμιση.

##### (2) Χρήση ρύθμισης αυτόματης λειτουργίας

- Όταν το τηλεχειριστήριο είναι συνδεδεμένο με μονάδα η οποία βρίσκεται σε αυτόματη λειτουργία, μπορούν να πραγματοποιηθούν οι ακόλουθες ρυθμίσεις.
- Για να αλλάξετε τη ρύθμιση, πατήστε το κουμπί [⊖ ON/OFF] ⊕.
  - ① ON (Τιμή αρχικής ρύθμισης):  
Η ένδειξη αυτόματης λειτουργίας εμφανίζεται όταν επιλέγεται η κατάσταση λειτουργίας.
  - ② OFF:  
Η ένδειξη αυτόματης λειτουργίας δεν εμφανίζεται όταν επιλέγεται η κατάσταση λειτουργίας.

##### (3) Ρύθμιση εύρους θερμοκρασίας

- Αφού πραγματοποιηθεί αυτή η ρύθμιση, μπορεί να επιλεγεί μία θερμοκρασία ανάμεσα στο καθορισμένο εύρος.
- Για να αλλάξετε τη ρύθμιση, πατήστε το κουμπί [⊖ ON/OFF] ⊕.
  - ① LIMIT TEMP COOL MODE:  
Το εύρος θερμοκρασίας μπορεί να αλλάξει στη λειτουργία ψύξης/αφύγρανσης.
  - ② LIMIT TEMP HEAT MODE:  
Το εύρος θερμοκρασίας μπορεί να αλλάξει στη λειτουργία θέρμανσης.
  - ③ LIMIT TEMP AUTO MODE:  
Το εύρος θερμοκρασίας μπορεί να αλλάξει στην αυτόματη λειτουργία.
  - ④ OFF (αρχική ρύθμιση): Το εύρος θερμοκρασίας δεν είναι ενεργό.
- \* Όταν γίνει ρύθμιση άλλη πέραν της OFF (ΑΠΕΝΕΡΓΟΠΟΙΗΣΗ), γίνεται ταυτόχρονα η ρύθμιση του εύρους θερμοκρασίας για τις λειτουργίες αυτόματη, ψύξη και θέρμανση. Όμως, δεν είναι δυνατό να τεθεί όριο για το εύρος όταν δεν έχει αλλάξει η επιλεγμένη θερμοκρασία.
- Για να αυξήσετε ή να μειώσετε τη θερμοκρασία, πατήστε το κουμπί [TEMP. (▽) ή (Δ)] ⊕.
- Για να αλλάξετε τη ρύθμιση ανώτερου και κατώτερου ορίου, πατήστε το κουμπί [TEMP. (▽) ή (Δ)] ⊕. Η επιλεγμένη ρύθμιση θα αναβοσβήνει και η ρύθμιση της θερμοκρασίας θα είναι δυνατή.
- Εύρος ρύθμισης  
Λειτουργία ψύξης/αφύγρανσης:  
Κατώτερο όριο: 19°C έως 30°C    Ανώτερο όριο: 30°C έως 19°C  
Λειτουργία θέρμανσης:  
Κατώτερο όριο: 17°C έως 28°C    Ανώτερο όριο: 28°C έως 17°C  
Αυτόματη λειτουργία:  
Κατώτερο όριο: 19°C έως 28°C    Ανώτερο όριο: 28°C έως 19°C

### [4]-3 Ρύθμιση επιλογής λειτουργίας

#### (1) Ρύθμιση κύριου/δευτερεύοντος τηλεχειριστηρίου

- Για να αλλάξετε τη ρύθμιση, πατήστε το κουμπί [⊖ ON/OFF] ⊕.
  - ① Main: Το τηλεχειριστήριο θα είναι το κύριο τηλεχειριστήριο.
  - ② Sub: Το τηλεχειριστήριο θα είναι το δευτερεύον τηλεχειριστήριο.

#### (2) Ρύθμιση ώρας

- Για να αλλάξετε τη ρύθμιση, πατήστε το κουμπί [⊖ ON/OFF] ⊕.
  - ① ON: Η λειτουργία ρολογιού είναι ενεργοποιημένη.
  - ② OFF: Η λειτουργία ρολογιού δεν είναι ενεργοποιημένη.

#### (3) Ρύθμιση λειτουργίας χρονοδιακόπτη

- Για να αλλάξετε τη ρύθμιση, πατήστε το κουμπί [⊖ ON/OFF] ⊕ (Επιλέξτε ένα από τα ακόλουθα).
  - ① WEEKLY TIMER (Τιμή αρχικής ρύθμισης):  
Μπορεί να χρησιμοποιηθεί ο εβδομαδιαίος χρονοδιακόπτης.
  - ② AUTO OFF TIMER:  
Μπορεί να χρησιμοποιηθεί ο χρονοδιακόπτης αυτόματης απενεργοποίησης.
  - ③ SIMPLE TIMER:  
Μπορεί να χρησιμοποιηθεί ο απλός χρονοδιακόπτης.
  - ④ TIMER MODE OFF:  
Δεν μπορεί να χρησιμοποιηθεί η λειτουργία χρονοδιακόπτη.
- \* Όταν το ρολόι είναι απενεργοποιημένο (ρύθμιση OFF), δεν μπορεί να χρησιμοποιηθεί ο "WEEKLY TIMER" (ΕΒΔΟΜΑΔΙΑΙΟΣ ΧΡΟΝΟΔΙΑΚΟΠΤΗΣ).

#### (4) Ρύθμιση αριθμού επικοινωνίας σε περίπτωση τεχνικού προβλήματος

- Για να αλλάξετε τη ρύθμιση, πατήστε το κουμπί [⊖ ON/OFF] ⊕.
  - ① CALL OFF:  
Σε περίπτωση τεχνικού προβλήματος δεν εμφανίζονται οι καθορισμένοι αριθμοί επικοινωνίας.
  - ② CALL \*\*\*\* \* \* \* \*:  
Σε περίπτωση τεχνικού προβλήματος εμφανίζονται οι καθορισμένοι αριθμοί επικοινωνίας.  
CALL\_ :  
Ο αριθμός επικοινωνίας μπορεί να οριστεί όταν η οθόνη είναι όπως φαίνεται παραπάνω.
- Επιλογή των αριθμών επικοινωνίας  
Για να επιλέξετε τους αριθμούς επικοινωνίας, ακολουθήστε την παρακάτω διαδικασία. Μετακινήστε το δρομέα για να ορίσετε τον αριθμό. Πιέστε το κουμπί [TEMP. (▽) ή (Δ)] ⊕ για να μετακινήσετε τον δρομέα προς τα δεξιά (ή αριστερά). Πιέστε το κουμπί [⊖ CLOCK (▽) και (Δ)] ⊕ για να ορίσετε τους αριθμούς.

### [4]-4 Ρύθμιση αλλαγής ενδείξεων

#### (1) Επιλογή μονάδας μέτρησης θερμοκρασίας °C/°F

- Για να αλλάξετε τη ρύθμιση, πατήστε το κουμπί [⊖ ON/OFF] ⊕.
  - ① °C: Χρησιμοποιείται η μονάδα θερμοκρασίας °C.
  - ② °F: Χρησιμοποιείται η μονάδα θερμοκρασίας °F.

#### (2) Επιλογή εμφάνισης θερμοκρασίας αέρα δωματίου

- Για να αλλάξετε τη ρύθμιση, πατήστε το κουμπί [⊖ ON/OFF] ⊕.
  - ① ON: Εμφανίζεται η θερμοκρασία εισερχόμενου αέρα.
  - ② OFF: Δεν εμφανίζεται η θερμοκρασία εισερχόμενου αέρα.

#### (3) Ρύθμιση ένδειξης αυτόματης ψύξης/θέρμανσης

- Για να αλλάξετε τη ρύθμιση, πατήστε το κουμπί [⊖ ON/OFF] ⊕.
  - ① ON:  
Εμφανίζεται είτε το "Automatic cooling" (Αυτόματη ψύξη) είτε το "Automatic heating" (Αυτόματη θέρμανση) όταν έχει επιλεγεί η αυτόματη λειτουργία.
  - ② OFF:  
Εμφανίζεται μόνο το "Automatic" (Αυτόματη λειτουργία) όταν έχει επιλεγεί η αυτόματη λειτουργία.

## 8. Επιλογή λειτουργίας

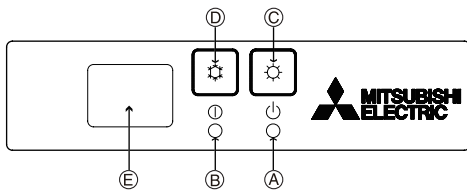
[Πίνακας οθόνης κουκίδων]

Ρύθμιση γλώσσας	English	German	Spanish	Russian	Italian	Chinese	French	Japanese	
Αναμονή εκκίνησης	PLEASE WAIT	←	←	←	←	←	←	←	
Κατάσταση λειτουργίας	ψύξη	COOL	Kühlen	FRÍO	Холод	COOL	制冷	FROID	冷房
	αφύγραση	DRY	Trocknen	DESHUMIDIFICACIÓN	Сушка	DRY	除湿	DESHU	ドライ
	θέρμανση	HEAT	Heizen	CALOR	Тепло	HEAT	制热	CHAUD	暖房
	Αυτόματη	AUTO	AUTO	AUTO-MÁTICO	Авто	AUTO	自动	AUTO	自動
	Αυτόματη (ψύξη)	COOL	Kühlen	FRÍO	Холод	COOL	制冷	FROID	冷房
	Αυτόματη (θέρμανση)	HEAT	Heizen	CALOR	Тепло	HEAT	制热	CHAUD	暖房
	ανεμιστήρα	FAN	Lüfter	VENTILACIÓN	Вент	VENTILAZIONE	送风	VENTILATION	送風
	Εξαερισμός	VENTILATION	Gebälsebetrieb	VENTILACIÓN	Вентиляция	ARIA ESTERNA	换气	VENTILATION	換気
Stand by (Αναμονή) Ρύθμιση θέρμανσης Defrost (Απόψυξη)	STAND BY	STAND BY	CALENTANDO	ОБОГРЕВ: ПАУЗА	STAND BY	准备中	PRE CHAUFFAGE	準備中	
DEFROST	DEFROST	Abtauen	DESCONGE- LACIÓN	ОТТАВАИВАННЕ	SBRINA MENTO	除霜中	DEGIVRAGE	霜取中	
Καθορισμένη θερμοκρασία	SET TEMP	TEMP einstellen	TEMP. CONSIGNA	ЦЕЛЕВАЯ ТЕМПЕРАТУРА	IMPOSTAZIONE TEMPERATURA	设定温度	REGLAGE TEMPERATURE	設定温度	
Ταχύτητα ανεμιστήρα	FAN SPEED	Lüftergesch windigkeit	VELOCIDAD VENTILADOR	СКОРОСТЬ ВЕНТИЛЯТОРА	VELOCITA' VENTILATORE	风速	VITESSE DE VENTILATION	風速	
Μη διαθέσιμο κουμπί	NOT AVAILABLE	nicht Verfügbar	NO DISPONIBLE	НЕ ДОСТУПНО	NON DISPONIBILE	无效按钮	NON DISPONIBLE	無効ボタン	
Έλεγχος (Σφάλμα)	CHECK	Prüfen	COMPROBAR	ПРОВЕРКА	CHECK	检查	CONTROLE	点検	
Δοκιμαστική λειτουργία	TEST RUN	Testbetrieb	TEST FUNCIO NAMIENTO	ТЕСТОВЫЙ ЗАПУСК	TEST RUN	试运行	TEST	試運転	
Αυτόματος έλεγχος	SELF CHECK	Selbst- diagnose	AUTO REVISIÓN	САМОДИАГ- НОСТИКА	SELF CHECK	自我诊断	AUTO CONTROLE	自己診断	
Επιλογή λειτουργίας μονάδας	FUNCTION SELECTION	Funktion SAUSWAHL	SELECCIÓN DE FUNCIÓN	ВЫБОР ФУНКЦИИ	SELEZIONE FUNZIONI	功能选择	SELECTION FONCTIONS	モード選択	
Ρύθμιση εξαερισμού	SETTING OF VENTILATION	Lüfterstufen Wählen	CONFIG. VENTILACIÓN	НАСТРОЙКА ВЕНТУСТАНА	IMPOSTAZIONE ARIA ESTERNA	换气设定	SELECTION VENTILATION	換気設定	

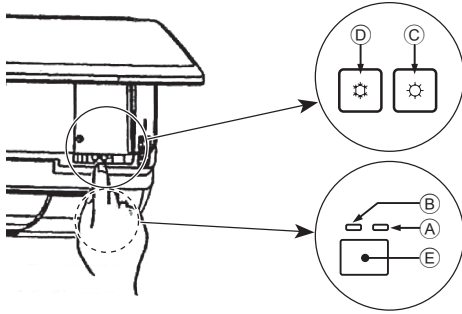
Ρύθμιση γλώσσας	English	German	Spanish	Russian	Italian	Chinese	French	Japanese
Αλλαγή γλώσσας	CHANGE LANGUAGE	←	←	←	←	←	←	←
Επιλογή λειτουργίας	FUNCTION SELECTION	Funktion auswählen	SELECCIÓN DE FUNCIONES	ВЫБОР ФУНКЦИИ	SELEZIONE FUNZIONI	功能限制	SELECTION FONCTIONS	モード制限
Ρύθμιση ορίου λειτουργίας	LOCKING FUNCTION	Sperr - Funktion	FUNCION BLOQUEADA	ФУНКЦИЯ БЛОКИРОВКИ	BLOCCO FUNZIONI	操作限制	BLOCAGE FONCTIONS	操作ロック
Χρήση ρύθμισης αυτόματης λειτουργίας	SELECT AUTO MODE	Auswahl AUTO Betrieb	SELECCION MODO AUTO	ВЫБОР РЕЖИМА АВТО	SELEZIONE MODO AUTO	自动模式	SELECTION DU MODE AUTO	自動モード
Ρύθμιση εύρους θερμοκρασίας	LIMIT TEMP FUNCTION	Limit TEMP Funktion	LIMIT TEMP CONSIGNA	ОГРАНИЧЕН УЛТ.ТЕМПЕРАТ	LIMITAZIONE TEMPERATURA	温度限制	LIMITATION TEMPERATURE	温度制限
Όριο θερμοκρασίας στην ψύξη/ημέρα	LIMIT TEMP COOL MODE	Limit Kühl Temp	LIMIT TEMP MODO FRIO	ОГРАНИЧЕНО ОХЛАЖ.АВННЕ	LIMITAZIONE MODO COOL	制冷范围	LIMITE TEMP MODE FROID	制冷冷房
Όριο θερμοκρασίας στη θέρμανση	LIMIT TEMP HEAT MODE	Limit Heiz Temp	LIMIT TEMP MODO CALOR	ОГРАНИЧЕН ОБОГРЕВ	LIMITAZIONE MODO HEAT	制热范围	LIMITE TEMP MODE CHAUD	制热暖房
Όριο θερμοκρασίας στην αυτόματη λειτουργία	LIMIT TEMP AUTO MODE	Limit AUTO temp	LIMIT TEMP MODO AUTO	ОГРАНИЧЕН РЕЖИМ АВТО	LIMITAZIONE MODO AUTO	自动范围	LIMITE TEMP MODE AUTO	制冷自動
Επιλογή κατάστασης λειτουργίας	MODE SELECTION	Betriebsart Wählen	SELECCION DE MODO	ВЫБОР РЕЖИМА	SELEZIONE MODO	基本模式	SELECTION DU MODE	基本モード
Ρύθμιση ΚΥΡΙΟΥ τηλεχειριστηρίου	CONTROLLER MAIN	Haupt controller	CONTROL PRINCIPAL	ОСНОВНОЙ ПУЛЬТ	CONTROLLO MAIN	遥控主	TELCOMMANDE MAITRE	リモコン主
Ρύθμιση ΔΕΥΤΕΡΕΥΟΝΤΟΣ τηλεχειριστηρίου	CONTROLLER SUB	Neben controller	CONTROL SECUNDARIO	ДОПОЛНИТЕ- ЛЬНЫЙ ПУЛЬТ	CONTROLLO SUB	遥控辅	TELCOMMANDE ESCLAVE	リモコン主副
Χρήση της ρύθμισης ρολογιού	CLOCK	Uhr	RELOJ	Часы	OROLOGIO	时钟	AFFICHAGE HORLOGE	時計
Ρύθμιση της ημέρας της εβδομάδας και της ώρας	TIME SET ⇨:ENTER	Uhr stellen ⇨:einstellen	CONFIG RELOJ ⇨:CONFIG	Часы:УСТ. ⇨:ВВОД	OROLOGIO ⇨:ENTER	时间 ⇨:ENTER	HORLOGE ⇨:ENTRER	トケイセッテイ ⇨:カクテイ
Ρύθμιση χρονοδιακόπτη	TIMER SET ⇨:ENTER	Zeitschaltuhr ⇨:einstellen	TEMPORIZA - DOR⇨:CONFIG	ТАЙМЕР:УСТ. ⇨:ВВОД	TIMER ⇨:ENTER	定时器 ⇨:ENTER	PROG HORAIRE ⇨:ENTRER	タイマーセッテイ ⇨:カクテイ
Παρακολούθηση χρονοδιακόπτη	TIMER MONITOR	Uhrzeit Anzeige	VISUALIZAR TEMPORIZAD.	ПРОСМОТР ТАЙМЕРА	VISUALIZ TIMER	定时器状态	AFFICHAGE PROG HORAIRE	タイマーモニター
Εβδομαδιαίος χρονοδιακόπτης	WEEKLY TIMER	Wochenzeit Schalt Uhr	TEMPORIZA - DOR SEMANAL	НЕДЕЛЬНЫЙ ТАЙМЕР	TIMER SETTIMANALE	每周定时器	PROG HEBDO MADAIRE	タイマー週間
Απενεργοποίηση χρονοδιακόπτη	TIMER MODE OFF	Zeitschaltuhr AUS	TEMPORIZA - DOR APAGADO	ТАЙМЕР ВЫКЛ.	TIMER OFF	定时器无效	PROG HORAIRE INACTIF	タイマー無効
Χρονοδιακόπτης αυτόματης απενεργοποίησης	AUTO OFF TIMER	AUTO Zeit funktion AUS	APAGADO AUTOMÁTICO	АВТООТКЛЮЧ. ПО ТАЙМЕРУ	AUTO OFF TIMER	解除定时	PROG HORAIRE ARRET AUTO	タイマーオフ ホウ
Απλός χρονοδιακόπτης	SIMPLE TIMER	Einfache Zeitfunktion	TEMPORIZA - DOR SIMPLE	ПРОСТОЙ ТАЙМЕР	TIMER SEMPLIFICATO	简易定时器	PROG HORAIRE SIMPLIFE	タイマーカンイ
Ρύθμιση αριθμού επικοινωνίας σε περίπτωση εμφάνισης σφάλματος	CALL	←	←	←	←	←	←	←
Αλλαγή κατάστασης οθόνης	DISP MODE SETTING	Anzeige Betriebsart	MOSTRAR MODO	НАСТРОЙКА ИЛИ РЕЖИМА	IMPOSTAZIONE MODO DISPLAY	转换表示	AFFICHAGE SOUS MENU	表示切替
Ρύθμιση ένδειξης θερμοκρασίας °C/°F	TEMP MODE °C/°F	Wechsel °C/°F	TEMPERADOS °C/°F	ЕДИН.ТЕМПЕРА °C/°F	TEMPERATURA °C/°F	温度 °C/°F	TEMPERATURE °C/°F	温度 °C/°F
Ρύθμιση ένδειξης θερμοκρασίας αέρα περιβάλλοντος	ROOM TEMP DISP SELECT	Raum Temp ZEWÄHLT	MOSTRAR TEMP	ПОКАЗЫВАТЬ ТЕМП.В КОМН.	TEMPERATURA AMBIENTE	吸入温度	TEMPERATURE AMBIANTE	スィンコオム ビョウ
Ρύθμιση ένδειξης αυτόματης λειτουργίας ψύξης/θέρμανσης	AUTO MODE DISP C/H	Auto Betrieb C/H	MOSTRAR F/C EN AUTO	ИЛИ Т/Х В РЕЖИМЕ АВТО	AUTO C/H	自动表示	AFFICHAGE AUTO F/C	自動表示



## 9. Λειτουργία εκτάκτου ανάγκης για ασύρματο τηλεχειριστήριο



(Για PKFY-P-VHM-E)



### Όταν δεν μπορείτε να χρησιμοποιήσετε το τηλεχειριστήριο

Όταν οι μπαταρίες του τηλεχειριστηρίου έχουν αδειάσει ή όταν το τηλεχειριστήριο έχει βλάβη, μπορείτε να χρησιμοποιήσετε τα κουμπιά έκτακτης ανάγκης στην μπροστινή πλευρά της μονάδας.

- Ⓐ Φωτεινή ένδειξη DEFROST/STAND BY
- Ⓑ Φωτάκι λειτουργίας
- Ⓒ Διακόπτης έκτακτης ανάγκης (θέρμανση)
- Ⓓ Διακόπτης έκτακτης ανάγκης (ψύξη)
- Ⓔ Δέκτης

### Έναρξη λειτουργίας

- Για τη λειτουργία ψύξης, πιέστε το πλήκτρο ⚡ Ⓒ για πάνω από 2 δευτερόλεπτα.
- Για τη λειτουργία θέρμανσης, πιέστε το πλήκτρο ⚡ Ⓓ για πάνω από 2 δευτερόλεπτα.

### Σημείωση:

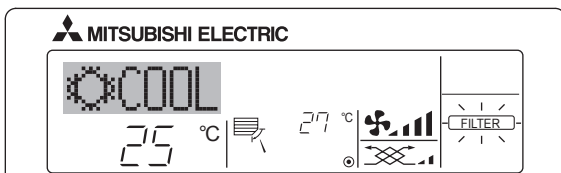
• Λεπτομέρειες για τη λειτουργία σε έκτακτη ανάγκη δίνονται παρακάτω. Λεπτομέρειες για τη λειτουργία σε έκτακτη ανάγκη (EMERGENCY MODE) δίνονται παρακάτω.

Κατάσταση λειτουργίας	ΨΥΞΗ	ΘΕΡΜΑΝΣΗ
Ρυθμισμένη θερμοκρασία	24°C	24°C
Ταχύτητα ανεμιστήρα	Υψηλή	Υψηλή
Κατεύθυνση ροής αέρα	Οριζόντια	Κατακόρυφη 4 (5)

### Διακοπή της λειτουργίας

- Για να σταματήσετε τη λειτουργία, πατήστε το κουμπί ⚡ Ⓒ ή το κουμπί ⚡ Ⓓ για πάνω από 2 δευτερόλεπτα.

## 10. Φροντίδα και καθαρισμός



- Δηλώνει ότι το φίλτρο χρειάζεται καθαρισμό.

Καθαρίστε το φίλτρο.

- Για το μηδενισμό της ένδειξης "FILTER"

Όταν πατήσετε το κουμπί [FILTER] δύο φορές διαδοχικά αφού καθαρίσετε το φίλτρο, η ένδειξη σβήνει και μηδενίζεται.

### Παρατήρηση:

- Όταν ελέγχονται δύο ή περισσότεροι διαφορετικοί τύποι εσωτερικών μονάδων, η περίοδος καθαρισμού του φίλτρου ποικίλλει ανάλογα με τον τύπο του φίλτρου. Όταν το φίλτρο της κύριας μονάδας χρειάζεται καθαρισμό, η ένδειξη "FILTER" (ΦΙΛΤΡΟ) εμφανίζεται στην οθόνη. Όταν η ένδειξη φίλτρου παύει να εμφανίζεται, ο συνολικός χρόνος μηδενίζεται.
- Η ένδειξη "FILTER" αφορά τον καθαρισμό του φίλτρου όταν το κλιματιστικό χρησιμοποιείται σε φυσιολογικές συνθήκες εσωτερικών χώρων και γίνεται μόνο με χρονικά κριτήρια. Επειδή η βρωμιά του φίλτρου εξαρτάται από τις περιβαλλοντικές συνθήκες, συνιστάται να καθαρίζετε το φίλτρο όποτε είναι απαραίτητο.
- Ο συνολικός χρόνος για τη διάρκεια της περιόδου καθαρισμού του φίλτρου εξαρτάται από το μοντέλο.
- Η ένδειξη αυτή δεν είναι διαθέσιμη για ασύρματο τηλεχειριστήριο.

### ▶ Καθαρισμός των φίλτρων

- Καθαρίστε τα φίλτρα με ηλεκτρική σκούπα. Αν δεν έχετε ηλεκτρική σκούπα, χτυπήστε ελαφρά τα φίλτρα σε ένα στερεό αντικείμενο για να φύγει η σκόνη και η βρωμιά.
- Αν τα φίλτρα είναι πολύ βρώμικα, πλύντε τα με χλιαρό νερό. Φροντίστε να ξεβγάλετε πολύ καλά το απορρυπαντικό που χρησιμοποιήσατε και αφήστε τα φίλτρα να στεγνώσουν εντελώς πριν τα τοποθετήσετε ξανά στη μονάδα.

### ⚠ Προσοχή:

- Μην αφήνετε τα φίλτρα να στεγνώσουν στον ήλιο και μη χρησιμοποιείτε πηγή θερμότητας, όπως μια ηλεκτρική θερμάστρα, για να τα στεγνώσετε γιατί υπάρχει κίνδυνος να παραμορφωθούν.
- Μην πλένετε τα φίλτρα με ζεστό νερό (πάνω από 50°C) γιατί μπορεί να παραμορφωθούν.
- Βεβαιωθείτε ότι τα φίλτρα βρίσκονται πάντα στη θέση τους. Η λειτουργία της μονάδας χωρίς φίλτρα αέρα μπορεί να προκαλέσει βλάβη.

### ⚠ Προσοχή:

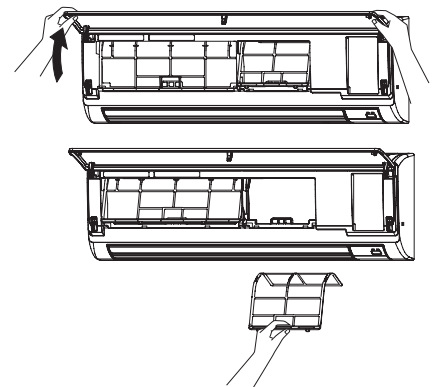
- Πριν αρχίσετε τον καθαρισμό, σταματήστε τη λειτουργία και κλείστε το ρεύμα.
- Οι εσωτερικές μονάδες είναι εφοδιασμένες με φίλτρα για την αφαίρεση της σκόνης από τον εισερχόμενο αέρα. Καθαρίστε τα φίλτρα χρησιμοποιώντας τις μεθόδους που επιδεικνύονται στ' ακόλουθα σκίτσα.

### ▶ Αφαίρεση φίλτρου

#### ⚠ Προσοχή:

- Κατά την αφαίρεση του φίλτρου, θα πρέπει να πάρετε τις απαραίτητες προφυλάξεις για να προστατέψετε τα μάτια σας από τη σκόνη. Επίσης, εάν χρειαστεί να ανεβείτε σε καρέκλα για να εκτελέσετε την εργασία, προσέξτε να μην πέσετε.
- Όταν αφαιρέσετε το φίλτρο, μην αγγίξετε τα μεταλλικά εξαρτήματα στο εσωτερικό της μονάδας εσωτερικού χώρου, διότι μπορεί να τραυματιστείτε.

- PKFY-P-VBM-E
- PKFY-P-VHM-E

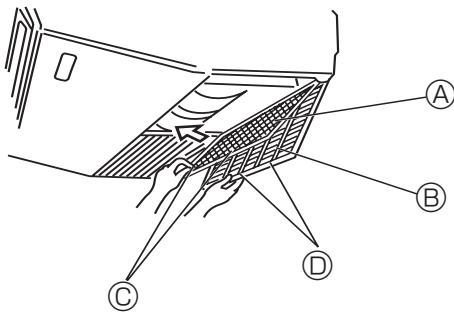


- ① Για να ανοίξουν οι γριλίες, τραβήξτε και τις δύο κάτω γωνίες στις γριλίες εισερχόμενου αέρα, μετά σηκώστε το φίλτρο.



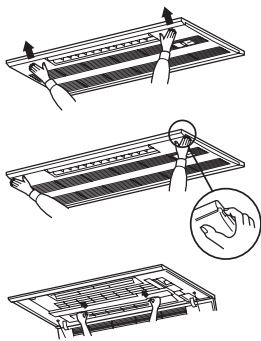
## 10. Φροντίδα και καθαρίσμα

### ■ PCFY-P-VKM-E



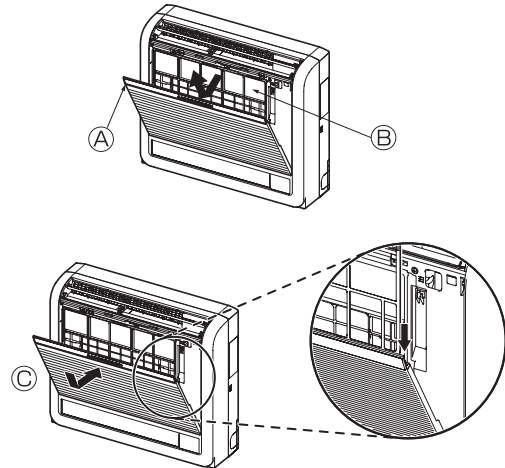
- 1 Ανοίξτε τις γρίλλιες εισαγωγής του αέρα.
  - 2 Πιάστε το φίλτρο από την προεξοχή του και τραβήξτε το προς την κατεύθυνση που δείχνει το βέλος. Όταν ξαναβάζετε το φίλτρο στη θέση του μετά το καθαρίσμα, βεβαιώνεστε ότι εισέρχεται μέχρι τον αναστολέα και εφαρμόζει καλά μέσα στην υποδοχή του.
- Α Φίλτρο Β Γρίλλιες Εισαγωγής Αέρα C Προεξοχή Φίλτρου D Αναστολέας

### ■ PMFY-P-VBM-E



- 1 Πατώντας το κουμπί με την ένδειξη "PUSH" στην εξωτερική πλευρά στις γρίλλιες ανοίγει τις γρίλλιες εισαγωγής αέρα.
- 2 Φίλτρο με γρίλλιες εισαγωγής αέρα βγαίνει τραβώντας το φίλτρο προς τα εμπρός.

### ■ PFFY-P-VKM-E(2)



- 1 Αφαιρέστε το φίλτρο αέρα κατεχίνης.
- Α Ανοίξτε το μπροστινό πλαίσιο.  
Β Φίλτρο αέρα κατεχίνης

#### ⚠ Προσοχή:

Κατά την αφαίρεση του φίλτρου αέρα κατεχίνης, μην αγγίζετε τα μεταλλικά μέρη της εσωτερικής μονάδας.  
Ενδέχεται να προκληθεί τραυματισμός.

- 2 Τοποθετήστε το φίλτρο αέρα κατεχίνης.  
Βεβαιωθείτε ότι τα δύο άκρα του έχουν τοποθετηθεί στις γλωπίδες, όπως φαίνεται στην εικόνα.
- 3 Κλείστε καλά το μπροστινό πλαίσιο.

## 11. Εντοπισμός βλαβών

Αντιμετωπίζετε προβλήματα;	Λύση. (Η μονάδα λειτουργεί κανονικά).
Το κλιματιστικό δεν ψύχει ή δεν θερμαίνει καλά.	<ul style="list-style-type: none"> <li>■ Καθαρίστε το φίλτρο. (Η ροή αέρα μειώνεται όταν το φίλτρο είναι ακάθαρμο ή έχει βουλώσει.)</li> <li>■ Ελέγξτε τη ρύθμιση της θερμοκρασίας και ρυθμίστε την καθορισμένη θερμοκρασία.</li> <li>■ Φροντίστε να υπάρχει αρκετός χώρος γύρω από την εξωτερική μονάδα. Μήπως έχει βουλώσει η είσοδος ή η έξοδος αέρα της μονάδας;</li> <li>■ Μήπως έχετε αφήσει κάποια πόρτα ή παράθυρο ανοιχτά;</li> </ul>
Όταν ξεκινά η λειτουργία θέρμανσης, αργεί να βγει θερμός αέρας από την εσωτερική μονάδα.	<ul style="list-style-type: none"> <li>■ Η εσωτερική μονάδα δεν βγάζει θερμό αέρα, έως ότου προθερμανθεί επαρκώς.</li> </ul>
Κατά τη λειτουργία θέρμανσης, το κλιματιστικό διακόπτει τη λειτουργία του πριν να επιτευχθεί η καθορισμένη θερμοκρασία περιβάλλοντος.	<ul style="list-style-type: none"> <li>■ Όταν η εξωτερική θερμοκρασία είναι χαμηλή και η υγρασία υψηλή μπορεί να σχηματιστεί πάγος στην εξωτερική μονάδα. Σε αυτή την περίπτωση, η εξωτερική μονάδα εκτελεί λειτουργία απόψυξης. Η κανονική λειτουργία θα πρέπει να ξεκινήσει μετά από περίπου 10 λεπτά.</li> </ul>
Η κατεύθυνση της ροής αέρα αλλάζει κατά τη λειτουργία ή δεν μπορείτε να ορίσετε την κατεύθυνση ροής αέρα.	<ul style="list-style-type: none"> <li>■ Κατά τη λειτουργία ψύξης, τα πτερύγια τίθενται αυτόματα στην οριζόντια (κάτω) θέση μετά από 1 ώρα όταν έχει επιλεγεί η κατεύθυνση ροής αέρα προς τα κάτω (οριζόντια). Αυτό συμβαίνει για την αποφυγή σχηματισμού και πτώσης νερού από τα πτερύγια.</li> <li>■ Κατά τη λειτουργία θέρμανσης, τα πτερύγια τίθενται αυτόματα στην οριζόντια κατεύθυνση ροής αέρα, όταν η θερμοκρασία είναι χαμηλή ή κατά τη λειτουργία απόψυξης.</li> </ul>
Όταν αλλάζει η κατεύθυνση ροής αέρα, τα πτερύγια κινούνται πάντα προς τα πάνω και προς τα κάτω διερχόμενα από την καθορισμένη θέση πριν τελικά σταματήσουν σε αυτήν.	<ul style="list-style-type: none"> <li>■ Όταν αλλάζει η κατεύθυνση ροής αέρα, τα πτερύγια μετακινούνται στην καθορισμένη θέση, αφού ανιχνεύσουν τη βασική θέση.</li> </ul>
Ακούγεται ήχος ροής νερού ή περιστασιακά ένας συριγμός.	<ul style="list-style-type: none"> <li>■ Οι ήχοι αυτοί μπορεί να ακουστούν όταν ρέει ψυκτικό μέσο στο κλιματιστικό ή όταν αλλάζει η κατεύθυνση της ροής του ψυκτικού μέσου.</li> </ul>
Ακούγεται ήχος σπασίματος ή τριξίματος.	<ul style="list-style-type: none"> <li>■ Οι ήχοι αυτοί μπορεί να ακουστούν όταν δημιουργούνται τριβές μεταξύ μερών του κλιματιστικού λόγω διαστολής και συστολής εξαιτίας μεταβολών στη θερμοκρασία.</li> </ul>
Στο δωμάτιο υπάρχει μια δυσάρεστη οσμή.	<ul style="list-style-type: none"> <li>■ Η εσωτερική μονάδα αναρροφά αέρα που περιέχει αέρια από τους τοίχους, τον τάπητα και την επίπλωση, καθώς και οσμές που παγιδεύονται στα ρούχα και, στη συνέχεια, αποβάλλει ξανά αυτόν τον αέρα στο δωμάτιο.</li> </ul>
Από την εσωτερική μονάδα εξέρχεται λευκή αχλύ ή ατμός.	<ul style="list-style-type: none"> <li>■ Εάν η εσωτερική θερμοκρασία και η υγρασία είναι υψηλές, αυτό μπορεί να συμβεί κατά την έναρξη της λειτουργίας.</li> <li>■ Κατά τη λειτουργία απόψυξης, μπορεί να εξέλθει ροή ψυχρού αέρα και να φαίνεται σαν αχλύ.</li> </ul>
Από την εξωτερική μονάδα εξέρχεται νερό ή ατμός	<ul style="list-style-type: none"> <li>■ Κατά τη λειτουργία ψύξης, ενδέχεται να σχηματιστεί και να τρέξει νερό από τους σωλήνες ψύξης και τους συνδέσμους.</li> <li>■ Κατά τη λειτουργία θέρμανσης, ενδέχεται να σχηματιστεί και να τρέξει νερό από τον εναλλάκτη θερμότητας.</li> <li>■ Κατά τη λειτουργία απόψυξης, εξατμίζεται το νερό στον εναλλάκτη θερμότητας και μπορεί να εξέλθει υδρατμός.</li> </ul>
Ο δείκτης λειτουργίας δεν εμφανίζεται στην οθόνη του τηλεχειριστηρίου.	<ul style="list-style-type: none"> <li>■ Ανοίξτε το διακόπτη τροφοδοσίας. Στην οθόνη του τηλεχειριστηρίου θα εμφανιστεί η ένδειξη "●".</li> </ul>
Το κλιματιστικό δεν λειτουργεί ακόμα και αν πατηθεί το πλήκτρο έναρξης/διακοπής. Η ένδειξη κατάστασης λειτουργίας παύει να εμφανίζεται στο τηλεχειριστήριο.	<ul style="list-style-type: none"> <li>■ Είναι κλειστός ο διακόπτης τροφοδοσίας της εσωτερικής μονάδας; Ανοίξτε το διακόπτη τροφοδοσίας.</li> </ul>
Στην οθόνη του τηλεχειριστηρίου εμφανίζεται η ένδειξη "☒".	<ul style="list-style-type: none"> <li>■ Κατά τον κεντρικό έλεγχο, στην οθόνη του τηλεχειριστηρίου εμφανίζεται η ένδειξη "☒" και δεν είναι εφικτή η ενεργοποίηση ή η απενεργοποίηση του κλιματιστικού με το τηλεχειριστήριο.</li> </ul>
Όταν θέτετε σε λειτουργία το κλιματιστικό σε σύντομο χρονικό διάστημα αφότου το απενεργοποιήσατε, δεν λειτουργεί ακόμη και εάν πατήσετε το κουμπί ON/OFF (Ενεργοποίηση/Απενεργοποίηση).	<ul style="list-style-type: none"> <li>■ Περιμένετε για τρία περίπου λεπτά. (Η λειτουργία έχει σταματήσει για λόγους προστασίας του κλιματιστικού.)</li> </ul>
Το κλιματιστικό λειτουργεί χωρίς να πατηθεί το κουμπί ON/OFF.	<ul style="list-style-type: none"> <li>■ Έχει ρυθμιστεί ο χρονοδιακόπτης; Πατήστε το κουμπί ON/OFF για να διακόψετε τη λειτουργία.</li> <li>■ Είναι συνδεδεμένο το κλιματιστικό σε κεντρικό τηλεχειριστήριο; Απευθυνθείτε στους υπευθύνους χειρισμού του κλιματιστικού.</li> <li>■ Εμφανίζεται η ένδειξη "☒" στην οθόνη του τηλεχειριστηρίου; Απευθυνθείτε στους υπευθύνους χειρισμού του κλιματιστικού.</li> <li>■ Έχετε ρυθμίσει τη λειτουργία αυτόματης επαναλειτουργίας μετά από διακοπή της τροφοδοσίας; Πατήστε το κουμπί ON/OFF για να διακόψετε τη λειτουργία.</li> </ul>
Η λειτουργία του κλιματιστικού διακόπτεται χωρίς να πατηθεί το κουμπί ON/OFF.	<ul style="list-style-type: none"> <li>■ Έχετε ρυθμίσει τη λειτουργία χρονοδιακόπτη απενεργοποίησης; Πατήστε το κουμπί ON/OFF για να θέσετε ξανά σε λειτουργία το κλιματιστικό.</li> <li>■ Είναι συνδεδεμένο το κλιματιστικό σε κεντρικό τηλεχειριστήριο; Απευθυνθείτε στους υπευθύνους χειρισμού του κλιματιστικού.</li> <li>■ Εμφανίζεται η ένδειξη "☒" στην οθόνη του τηλεχειριστηρίου; Απευθυνθείτε στους υπευθύνους χειρισμού του κλιματιστικού.</li> </ul>
Δεν είναι εφικτή η ρύθμιση της λειτουργίας χρονοδιακόπτη του τηλεχειριστηρίου.	<ul style="list-style-type: none"> <li>■ Είναι έγκυρες οι ρυθμίσεις του χρονοδιακόπτη; Εάν είναι εφικτή η ρύθμιση του χρονοδιακόπτη, στην οθόνη του τηλεχειριστηρίου εμφανίζεται η ένδειξη (WEEKLY), (SIMPLE) ή (AUTO OFF).</li> </ul>
Στην οθόνη του τηλεχειριστηρίου εμφανίζεται η ένδειξη "PLEASE WAIT" (ΠΑΡΑΚΑΛΩ ΠΕΡΙΜΕΝΕΤΕ).	<ul style="list-style-type: none"> <li>■ Εκτελούνται οι αρχικές ρυθμίσεις. Περιμένετε για περίπου 3 λεπτά.</li> </ul>
Στην οθόνη του τηλεχειριστηρίου εμφανίζεται ένας κωδικός σφάλματος.	<ul style="list-style-type: none"> <li>■ Έχουν τεθεί σε λειτουργία οι διατάξεις προστασίας για την προστασία του κλιματιστικού.</li> <li>■ Μην προσπαθήσετε να επισκευάσετε μόνοι σας το κλιματιστικό. Κλείστε αμέσως την τροφοδοσία και απευθυνθείτε στον αντιπρόσωπο της περιοχής σας. Φροντίστε να παράσχετε στον αντιπρόσωπο το όνομα του μοντέλου και τα στοιχεία που εμφανίστηκαν στην οθόνη του τηλεχειριστηρίου.</li> </ul>
Ακούγεται ήχος αποχέτευσης νερού ή περιστροφής κινητήρα.	<ul style="list-style-type: none"> <li>■ Όταν σταματά η λειτουργία ψύξης, η αντλία αποχέτευσης λειτουργεί και στη συνέχεια σταματά. Περιμένετε για περίπου 3 λεπτά.</li> </ul>

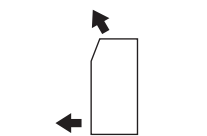
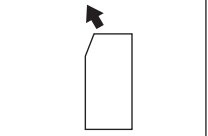
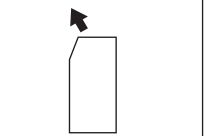
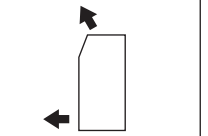
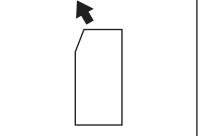
## 11. Εντοπισμός βλαβών

Αντιμετωπίζετε προβλήματα;	Λύση. (Η μονάδα λειτουργεί κανονικά).												
Η στάθμη θορύβου υπερβαίνει τις προδιαγραφές.	<ul style="list-style-type: none"> <li>Τα επίπεδα θορύβου λειτουργίας της εσωτερικής μονάδας επηρεάζονται από την ακουστική του δωματίου, όπως φαίνεται στον ακόλουθο πίνακα και θα είναι υψηλότερα από τις προδιαγραφές, οι οποίες βασίζονται σε μετρήσεις που πραγματοποιήθηκαν σε ανηχοϊκό θάλαμο.</li> </ul> <table border="1"> <thead> <tr> <th></th> <th>Χώροι με υψηλή απορροφητικότητα ήχου</th> <th>Κανονικοί χώροι</th> <th>Χώροι με χαμηλή απορροφητικότητα ήχου</th> </tr> </thead> <tbody> <tr> <td>Παραδείγματα θέσεων τοποθέτησης του κλιματιστικού</td> <td>Στούντιο εκπομπών, χώρος εκτέλεσης μουσικής κτλ.</td> <td>Αίθουσα υποδοχής, προθάλαμος ξενοδοχείου, κτλ.</td> <td>Γραφείο, δωμάτιο ξενοδοχείου</td> </tr> <tr> <td>Επίπεδα θορύβου</td> <td>3 έως 7 dB</td> <td>6 έως 10 dB</td> <td>9 έως 13 dB</td> </tr> </tbody> </table>		Χώροι με υψηλή απορροφητικότητα ήχου	Κανονικοί χώροι	Χώροι με χαμηλή απορροφητικότητα ήχου	Παραδείγματα θέσεων τοποθέτησης του κλιματιστικού	Στούντιο εκπομπών, χώρος εκτέλεσης μουσικής κτλ.	Αίθουσα υποδοχής, προθάλαμος ξενοδοχείου, κτλ.	Γραφείο, δωμάτιο ξενοδοχείου	Επίπεδα θορύβου	3 έως 7 dB	6 έως 10 dB	9 έως 13 dB
	Χώροι με υψηλή απορροφητικότητα ήχου	Κανονικοί χώροι	Χώροι με χαμηλή απορροφητικότητα ήχου										
Παραδείγματα θέσεων τοποθέτησης του κλιματιστικού	Στούντιο εκπομπών, χώρος εκτέλεσης μουσικής κτλ.	Αίθουσα υποδοχής, προθάλαμος ξενοδοχείου, κτλ.	Γραφείο, δωμάτιο ξενοδοχείου										
Επίπεδα θορύβου	3 έως 7 dB	6 έως 10 dB	9 έως 13 dB										
Στην οθόνη του ασύρματου τηλεχειριστηρίου δεν εμφανίζεται καμία ένδειξη, η οθόνη δεν φαίνεται καθαρά ή η εσωτερική μονάδα δεν λαμβάνει σήματα, εκτός εάν το τηλεχειριστήριο χρησιμοποιείται κοντά στη μονάδα.	<ul style="list-style-type: none"> <li>Οι μπαταρίες είναι εξασθενημένες. Αντικαταστήστε τις μπαταρίες και πατήστε το κουμπί Reset (Επανεκκίνηση).</li> <li>Εάν ακόμη και μετά την τοποθέτηση των μπαταριών δεν εμφανιστεί καμία ένδειξη, βεβαιωθείτε ότι έχετε τοποθετήσει τις μπαταρίες με τη σωστή κατεύθυνση (+, -).</li> </ul>												
Αναβοσβήνει η λυχνία λειτουργίας που βρίσκεται κοντά στο δέκτη για το ασύρματο τηλεχειριστήριο της εσωτερικής μονάδας.	<ul style="list-style-type: none"> <li>Η λειτουργία αυτόματου ελέγχου τέθηκε σε λειτουργία για λόγους προστασίας του κλιματιστικού.</li> <li>Μην προσπαθήσετε να επισκευάσετε μόνοι σας το κλιματιστικό. Κλείστε αμέσως την τροφοδοσία και απευθυνθείτε στον αντιπρόσωπο της περιοχής σας. Φροντίστε να παράσχετε στον αντιπρόσωπο το όνομα του μοντέλου.</li> </ul>												
Εξέρχεται θερμός αέρας από την εσωτερική μονάδα κατά διαστήματα όταν η λειτουργία θέρμανσης είναι απενεργοποιημένη ή κατά τη διάρκεια λειτουργίας ανεμιστήρα.	<ul style="list-style-type: none"> <li>Όταν κάποια άλλη εσωτερική μονάδα είναι ρυθμισμένη για λειτουργία θέρμανσης, η βαλβίδα ελέγχου ανοίγει και κλείνει περιστασιακά για να διατηρηθεί η σταθερότητα του συστήματος κλιματισμού. Αυτή η λειτουργία σταματάει μετά από μικρό χρονικό διάστημα.</li> <li>* Αν κάτι τέτοιο προκαλεί ανεπιθύμητη αύξηση θερμοκρασίας σε μικρά δωμάτια, κτλ. διακόψτε προσωρινά τη λειτουργία της εσωτερικής μονάδας.</li> </ul>												
Η θύρα ροής αέρα ανοίγει και κλείνει αυτόματα. (Για τη σειρά PFFY-P-VKM-E)	<ul style="list-style-type: none"> <li>Η θύρα ροής αέρα ελέγχεται αυτόματα από έναν μικροϋπολογιστή που λαμβάνει υπόψη τη θερμοκρασία της ροής αέρα και τον χρόνο λειτουργίας του κλιματιστικού.</li> </ul>												

### ► Έλεγχος εξόδου αέρα (σειρά PFFY-P-VKM-E)

Η μονάδα ελέγχεται αυτόματα έτσι ώστε ο αέρας να εξέρχεται ταυτόχρονα από την άνω και την κάτω έξοδο, με αποτέλεσμα το δωμάτιο να ψύχεται ή να θερμαίνεται πιο αποτελεσματικά.

#### Περιγραφή λειτουργίας

Λειτουργία	ΨΥΞΗ	ΑΦΥΓΡΑΝΣΗ	ΘΕΡΜΑΝΣΗ	ΑΝΕΜΙΣΤΗΡΑΣ	
Ροή αέρα	 Ροή αέρα από τις άνω και κάτω εξόδους	 Ροή αέρα από την άνω έξοδο	 Ροή αέρα μόνο από την άνω έξοδο	 Ροή αέρα από τις άνω και κάτω εξόδους	 Ροή αέρα από τις άνω και κάτω εξόδους
Συνθήκες	Η θερμοκρασία δωματίου και η επιλεγμένη θερμοκρασία διαφέρουν σε μεγάλο βαθμό.	Η θερμοκρασία του δωματίου πλησιάζει στη θερμοκρασία ρύθμισης ή ο θερμοστάτης κλείνει.	—	(Κανονική κατάσταση (σε θέρμανση)) Κατά τη διάρκεια της λειτουργίας απόψυξης, έναρξη της λειτουργίας, θερμοστάτης κλειστός	—

- Φροντίστε να μην υπάρχουν εμπόδια γύρω από τη θύρα της κάτω εξόδου αέρα.

Η μονάδα αυτή μπορεί να ρυθμιστεί έτσι, ώστε ο αέρας να εξέρχεται από την άνω έξοδο, αλλάζοντας τη ρύθμιση του διακόπτη στον πίνακα ρύθμισης διεύθυνσης (απευθυνθείτε στον αντιπρόσωπο).

#### Εύρος λειτουργίας

Το εύρος θερμοκρασιών για τις οποίες λειτουργούν οι εσωτερικές και εξωτερικές μονάδες των σειρών Y, R2 και Multi-S είναι οι ακόλουθες.

#### ⚠ Προειδοποίηση:

Εάν το κλιματιστικό λειτουργεί χωρίς να θερμαίνει ή να ψύχει (ανάλογα με το μοντέλο) το δωμάτιο, συμβουλευτείτε τον αντιπρόσωπό σας, καθώς ενδέχεται να παρουσιάζεται διαρροή ψυκτικού. Φροντίστε να ρωτήσετε τον εξουσιοδοτημένο τεχνικό εάν θα υπάρξει διαρροή ψυκτικού κατά τη διάρκεια των εργασιών επισκευής.

Το ψυκτικό που χρησιμοποιείται για την πλήρωση του κλιματιστικού είναι ασφαλές. Δεν είναι σύνηθες φαινόμενο η διαρροή ψυκτικού, όμως, σε περίπτωση διαρροής ψυκτικού αερίου εσωτερικής μονάδας, εάν αυτό έρθει σε επαφή με φλόγα θερμάστρας, εστίας υγραερίου κτλ. θα δημιουργηθούν επιβλαβείς χημικές ενώσεις.

## 12. Προδιαγραφές

### ■ Σειρά PCFY-P-VKM-E

Μοντέλο		P40	P63	P100	P125
Ηλεκτρική παροχή (Τάση<V>/Συχνότητα)	<Hz>	~N /220-230-240/50, 220/60			
Απόδοση (Ψύξης/Θέρμανσης)	<kW>	4,5/5,0	7,1/8,0	11,2/12,5	14,0/16,0
Διαστάσεις (Υψος)	<mm>	230			
Διαστάσεις (Πλάτος)	<mm>	960	1280	1600	
Διαστάσεις (Βάθος)	<mm>	680			
Καθαρό βάρος	<kg>	24	32	36	38
Παροχή αέρα ανεμιστήρα (Χαμηλή-Μεσαία2-Μεσαία1-Υψηλή)	<m <sup>3</sup> /min>	10-11-12-13	14-15-16-18	21-24-26-28	21-24-27-31
Στάθμη θορύβου (Χαμηλή-Μεσαία2-Μεσαία1-Υψηλή)	<dB>	29-32-34-36	31-33-35-37	36-39-41-43	36-39-42-44

#### Σημείωση

\* Θερμοκρασία λειτουργίας της εσωτερικής μονάδας.

Λειτουργία ψύξης: 15 °C WB - 24 °C WB

Λειτουργία θέρμανσης: 15 °C DB - 27 °C DB

\*1 Η απόδοση ψύξης/θέρμανσης δηλώνει τη μέγιστη τιμή όταν το σύστημα λειτουργεί στις παρακάτω συνθήκες.

Ψύξη: Εσωτερική θερμοκρασία 27 °C DB/19 °C WB, Εξωτερική θερμοκρασία 35 °C DB

Θέρμανση: Εσωτερική θερμοκρασία 20 °C DB, Εξωτερική θερμοκρασία 7 °C DB/6 °C WB

### ■ Σειρά PKFY-P-VBM-E

### ■ Σειρά PKFY-P-VHM-E

Μοντέλο		P15	P20	P25	P32	P40	P50	
Ηλεκτρική παροχή (Τάση<V>/Συχνότητα)	<Hz>	~N /220-230-240/50, 220/60						
Απόδοση (Ψύξης/Θέρμανσης)	<kW>	1,7/1,9	2,2/2,5	2,8/3,2	3,6/4,0	4,5/5,0	5,6/6,3	
Διαστάσεις (Υψος)	<mm>	295						
Διαστάσεις (Πλάτος)	<mm>	815			898			
Διαστάσεις (Βάθος)	<mm>	225			249			
Καθαρό βάρος	<kg>	10			13			
Παροχή αέρα ανεμιστήρα (Χαμηλή-Μεσαία2-Μεσαία1-Υψηλή)	<m <sup>3</sup> /min>	4,9-5,0-5,2-5,3	4,9-5,2-5,6-5,9		9-10-11	9-10,5-11,5	9-10,5-12	
Στάθμη θορύβου (Χαμηλή-Μεσαία2-Μεσαία1-Υψηλή)	<dB>	29-31-32-33	29-31-34-36		34-37-41	34-38-41	34-39-43	

#### Σημείωση

\* Θερμοκρασία λειτουργίας της εσωτερικής μονάδας.

Λειτουργία ψύξης: 15 °C WB - 24 °C WB

Λειτουργία θέρμανσης: 15 °C DB - 27 °C DB

\*1 Η απόδοση ψύξης/θέρμανσης δηλώνει τη μέγιστη τιμή όταν το σύστημα λειτουργεί στις παρακάτω συνθήκες.

Ψύξη: Εσωτερική θερμοκρασία 27 °C DB/19 °C WB, Εξωτερική θερμοκρασία 35 °C DB

Θέρμανση: Εσωτερική θερμοκρασία 20 °C DB, Εξωτερική θερμοκρασία 7 °C DB/6 °C WB

### ■ Σειρά PMFY-P-VBM-E

Μοντέλο		P20	P25	P32	P40
Ηλεκτρική παροχή (Τάση<V>/Συχνότητα)	<Hz>	~N /220-230-240/50, 220/60			
Απόδοση (Ψύξης/Θέρμανσης)	<kW>	2,2/2,5	2,8/3,2	3,6/4,0	4,5/5,0
Διαστάσεις (Υψος)	<mm>	230 (30)			
Διαστάσεις (Πλάτος)	<mm>	854 (1000)			
Διαστάσεις (Βάθος)	<mm>	395 (470)			
Καθαρό βάρος	<kg>	14 (3,0)			
Παροχή αέρα ανεμιστήρα (Χαμηλή-Μεσαία2-Μεσαία1-Υψηλή)	<m <sup>3</sup> /min>	6,5-7,2-8,0-8,6	7,3-8,0-8,6-9,3		7,7-8,7-9,7-10,7
Στάθμη θορύβου (Χαμηλή-Μεσαία2-Μεσαία1-Υψηλή)	<dB>	27-30-33-36	32-34-36-37		33-35-37-39

#### Σημείωση

\* Θερμοκρασία λειτουργίας της εσωτερικής μονάδας.

Λειτουργία ψύξης: 15 °C WB - 24 °C WB

Λειτουργία θέρμανσης: 15 °C DB - 27 °C DB

\*1 Η απόδοση ψύξης/θέρμανσης δηλώνει τη μέγιστη τιμή όταν το σύστημα λειτουργεί στις παρακάτω συνθήκες.

Ψύξη: Εσωτερική θερμοκρασία 27 °C DB/19 °C WB, Εξωτερική θερμοκρασία 35 °C DB

Θέρμανση: Εσωτερική θερμοκρασία 20 °C DB, Εξωτερική θερμοκρασία 7 °C DB/6 °C WB

\*2 Ο αριθμός αυτός σε παρένθεση ( ) δηλώνει πλαίσια

### ■ Σειρά PFFY-P-VKM-E

Μοντέλο		P20	P25	P32	P40
Ηλεκτρική παροχή (Τάση<V>/Συχνότητα)	<Hz>	~N /220-230-240/50			
Απόδοση (Ψύξης/Θέρμανσης)	<kW>	2,2/2,5	2,8/3,2	3,6/4,0	4,5/5,0
Διαστάσεις (Υψος)	<mm>	600			
Διαστάσεις (Πλάτος)	<mm>	700			
Διαστάσεις (Βάθος)	<mm>	200			
Καθαρό βάρος	<kg>	14			
Παροχή αέρα ανεμιστήρα (Χαμηλή-Μεσαία2-Μεσαία1-Υψηλή)	<m <sup>3</sup> /min>	5,9-6,8-7,6-8,7	6,1-7,0-8,0-9,1		8,0-9,0-9,5-10,7
Στάθμη θορύβου (Χαμηλή-Μεσαία2-Μεσαία1-Υψηλή)	<dB>	27-31-34-37	28-32-35-38		35-38-42-44

#### Σημείωση

\* Θερμοκρασία λειτουργίας της εσωτερικής μονάδας.

Λειτουργία ψύξης: 15 °C WB - 24 °C WB

Λειτουργία θέρμανσης: 15 °C DB - 27 °C DB

\*1 Η απόδοση ψύξης/θέρμανσης δηλώνει τη μέγιστη τιμή όταν το σύστημα λειτουργεί στις παρακάτω συνθήκες.

Ψύξη: Εσωτερική θερμοκρασία 27 °C DB/19 °C WB, Εξωτερική θερμοκρασία 35 °C DB

Θέρμανση: Εσωτερική θερμοκρασία 20 °C DB, Εξωτερική θερμοκρασία 7 °C DB/6 °C WB

1. Precauções de Segurança	135	7. Outras funções	144
2. Nomes das peças	136	8. Selecção de Função	145
3. Configuração do mostrador	139	9. Funcionamento de emergência para controlo remoto sem fios	149
4. Acertar o dia de semana e a hora	139	10. Cuidados e limpeza	149
5. Funcionamento	139	11. Avarias	151
6. Temporizador	141	12. Especificações	153



Fig.1

**Este símbolo destina-se apenas aos países da U.E.**

**Este símbolo está em conformidade com o Artigo 10.º de Informação para utilizadores e com o Anexo IV da Directiva 2002/96/CE e/ou com o Artigo 20.º de Informação para utilizadores finais e com o Anexo II da Directiva 2006/66/CE.**

O seu produto MITSUBISHI ELECTRIC foi concebido e produzido com materiais e componentes de alta qualidade que podem ser reciclados e/ou reutilizados. Este símbolo significa que o equipamento eléctrico e electrónico, as baterias e os acumuladores, no final da sua vida útil, devem ser deitados fora separadamente do lixo doméstico. Se houver um símbolo químico impresso por baixo do símbolo mostrado (Fig.1), o símbolo químico indica que a bateria ou acumulador contém metais pesados numa determinada concentração. Isto aparecerá indicado da maneira seguinte: Hg: mercúrio (0,0005%), Cd: cádmio (0,002%), Pb: chumbo (0,004%)

Na União Europeia existem sistemas de recolha separados para produtos eléctricos e electrónicos, baterias e acumuladores usados. Por favor, entregue este equipamento, as baterias e os acumuladores correctamente, no seu ponto local de recolha/reciclagem. Por favor, ajude-nos a conservar o ambiente em que vivemos!

#### Nota:

Neste manual de funcionamento, a frase “Controlo remoto com fio” refere-se ao PAR-21MAA.

Caso necessite de alguma informação sobre o outro controlo remoto, consulte o manual de instruções fornecido nesta caixa.

## 1. Precauções de Segurança

- ▶ Antes de instalar a unidade, leia atentamente as “Precauções de segurança”.
- ▶ As “Precauções de segurança” referem aspectos de grande importância relativos à segurança. Observe-os.
- ▶ Reporte-se ou peça autorização à autoridade responsável pelo fornecimento antes de proceder à ligação do sistema.

### Símbolos utilizados no texto

#### ⚠ Aviso:

Descreve as precauções a observar para evitar riscos de ferimentos ou morte ao utilizador.

#### ⚠ Cuidado:

Descreve os cuidados a ter para não danificar o aparelho.

### Símbolos utilizados nas ilustrações

⚡ : Indica uma peça a ligar à terra.

#### ⚠ Aviso:

- Estes aparelhos não estão acessíveis ao grande público.
- O aparelho não deve ser instalado pelo utilizador. Peça ao distribuidor ou a uma empresa autorizada para o instalar. Se o aparelho não for instalado correctamente, pode haver fugas de água, choques eléctricos ou provocar incêndio.
- Não se sente no aparelho nem coloque objectos em cima dele.
- Não derrame água sobre o aparelho e não lhe toque com as mãos. Pode apanhar um choque eléctrico.
- Não vaporize gás combustível perto do aparelho para não provocar incêndio.
- Não ponha um aquecedor a gás nem qualquer outro aparelho com chama viva à saída da descarga de ar do aparelho para não dar origem a uma combustão defeituosa.
- Não retire o painel frontal nem a protecção da ventoinha da unidade exterior enquanto ela funcionar.
- Nunca repare a unidade nem a transfira para outro local sozinho.
- Se houver um ruído ou sentir vibração excepcionalmente anormal, pare a unidade, desligue a corrente e contacte o concessionário.
- Nunca meta os dedos, paus, etc. nas entradas ou saídas do ar.
- Se detectar cheiros estranhos, deixe de utilizar o aparelho, desligue o interruptor da alimentação e consulte o seu distribuidor. Não o fazendo, pode causar uma avaria, apanhar um choque eléctrico ou provocar incêndio.

#### ⚠ Cuidado:

- Não utilize objectos pontiagudos para accionar os botões, a fim de não danificar o controlador remoto.
- Nunca bloqueie nem tape as admissões ou saídas internas e externas do aparelho.
- Nunca limpe o limpe o controlo remoto com panos embebidos em benzeno, químicos diluentes, etc.
- Não utilize a unidade durante um longo período de tempo num ambiente com um elevado nível de humidade como, por exemplo, deixar uma porta ou janela aberta. No modo de arrefecimento, se a unidade for utilizada num quarto com um elevado nível de humidade (humidade relativa de 80% ou mais) durante um longo período de tempo, a água condensada no aparelho de ar condicionado pode escorrer a molhar ou danificar mobiliário, etc..

- Este aparelho de ar condicionado NÃO se destina a ser utilizado por crianças ou pessoas enfermas sem supervisão.
- Deve ser prestada especial atenção às crianças, para que não brinquem com o aparelho de ar condicionado.
- Se escapar gás refrigerante do sistema ou houver fugas, pare a unidade de ar condicionado, ventile profundamente a peça e contacte o seu concessionário.
- Este aparelho não foi concebido para ser utilizado por indivíduos (incluindo crianças) cujas capacidades físicas, sensoriais ou mentais estão diminuídas ou por indivíduos sem experiência ou conhecimentos, excepto no caso de poderem beneficiar, pelo intermédio da pessoa responsável pela sua segurança, de vigilância ou instruções referentes à utilização do aparelho.
- Ao instalar ou mudar o aparelho de ar condicionado de sítio, utilize apenas o refrigerante especificado (R410A) para carregar as linhas de refrigerante. Não o misture com qualquer outro refrigerante e assegure-se de que não fica ar nas linhas. Se o ar for misturado com o refrigerante, tal pode causar uma pressão alta anómala na linha do refrigerante, o que pode resultar numa explosão e outros perigos. O uso de qualquer refrigerante diferente do especificado para o sistema causará uma falha mecânica ou avaria do sistema ou falta da unidade. No pior dos casos, isto pode comprometer seriamente a segurança do produto.

- Não toque na palheta de saída de ar superior nem no regulador do volume de saída de ar inferior durante o funcionamento. Caso contrário, pode formar-se condensação e a unidade pode deixar de funcionar.

### Arrumação do aparelho

Se necessitar de arrumar o aparelho, consulte o seu distribuidor.



## 2. Nomes das peças

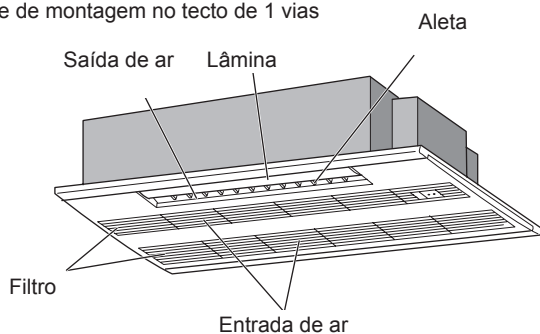
### ■ Unidade Interior

		PKFY-P-VBM-E	PKFY-P-VHM-E	PCFY-P-VKM-E	PMFY-P-VBM-E	PFFY-P-VKM-E(2)
Velocidade da ventoinha		4 velocidades	3 velocidades + Auto*	4 velocidades + Auto*	4 velocidades	4 velocidades
Lâmina	Etapas	4 etapas	5 etapas	5 etapas	4 etapas	4 etapas
	Automático com "Swing"	×	○	○	○	○
Aleta		Manual	Manual	Manual	Manual	Manual
Filtro		Normal	Normal	Longa duração	Normal	Normal
Indicação de limpeza do filtro		100 hr	100 hr	2,500 hr	100 hr	100 hr

\*Esta operação só está disponível utilizando o controlo remoto que pode definir a velocidade da respectiva Ventoinha para "Auto".

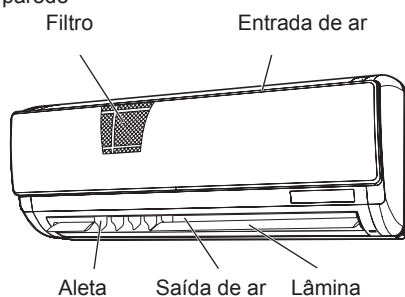
### ■ PMFY-P-VBM-E

Cassete de montagem no tecto de 1 vias



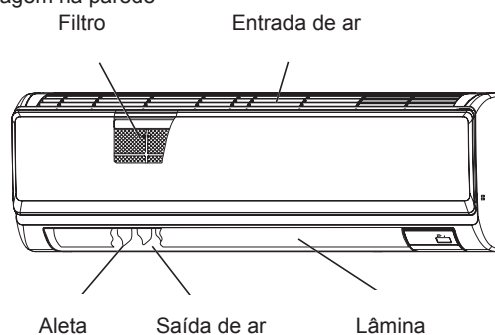
### ■ PKFY-P-VBM-E

De montagem na parede



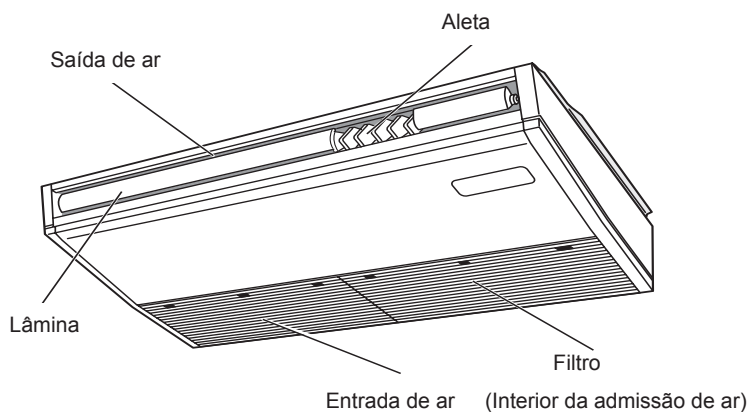
### ■ PKFY-P-VHM-E

De montagem na parede



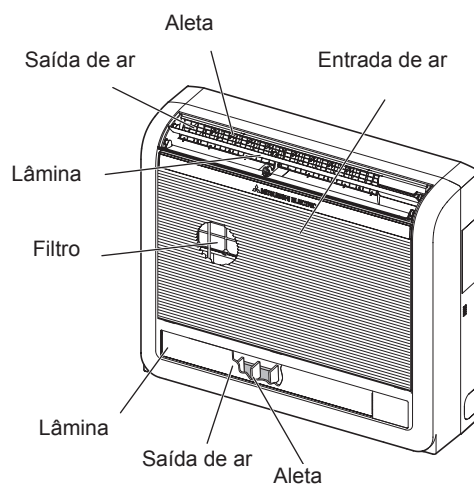
### ■ PCFY-P-VKM-E

De suspensão no tecto



### ■ PFFY-P-VKM-E(2)

Instalação no chão



## 2. Nomes das peças

### ■ Para controlo remoto ligado

#### Mostrador

Tendo por objectivo esta explicação, é apresentado tudo o que compõe o mostrador. Durante o funcionamento real, apenas serão apresentados os itens relevantes.

#### Identifica a operação em curso

Mostra o modo de operação, etc.  
\* Mostrador multilingue.

#### Indicador "Centrally Controlled" (Controlo centralizado)

Indica que a operação do controlo remoto foi desactivada por um controlador principal.

#### Indicador "Timer Is Off" (Temporizador desligado)

Indica que o temporizador está desligado.

#### Regulação da temperatura

Mostra a temperatura escolhida.

#### Day-of-Week (Dia da semana)

Mostra o dia actual da semana.

#### Visualização de Time/Timer Display (Hora/Temporizador)

Mostra a hora actual, se não tiver sido activado o temporizador Auto Off (Desligar automático) ou Simple (Simples). Se o temporizador Auto Off (Desligar automático) ou Simple (Simples) tiverem sido activados, aparece o tempo que falta para desligar.

#### Indicador "Sensor"

Aparece quando o sensor do controlo remoto é utilizado.

#### Indicador "Locked" (Bloqueado)

Indica que os botões do controlo remoto foram bloqueados.

#### Indicador "Clean The Filter" (Limpar filtro)

Aparece sempre que o filtro deve ser limpo.

#### Indicadores de temporizador

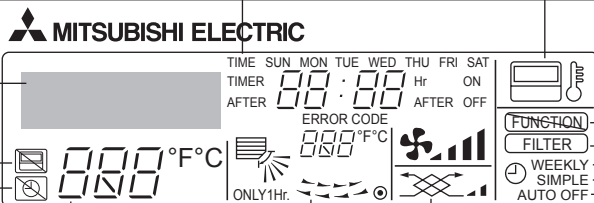
Quando um temporizador é activado, aparece o respectivo indicador.

#### Indicador Fan Speed (Velocidade da ventoinha)

Mostra a velocidade seleccionada para a ventoinha.

#### Indicador de Ventilation (Ventilação)

Aparece quando a unidade está a funcionar no modo Ventilation (Ventilação).



#### Indicador Up/Down Air Direction (Direcção do ar, para cima/para baixo)

O indicador mostra a direcção do fluxo da saída de ar.

#### Indicador "One Hour Only" (Só uma hora)

Aparece quando o fluxo de ar é programado como reduzido e para baixo nos modos COOL (FRIO) ou DRY (SECO). (Esta operação varia, consoante o modelo.) O indicador desliga-se depois de uma hora; e nessa altura a direcção do fluxo de ar também é alterada.

#### Visualização de Ambient Temperature (Temperatura ambiente)

Mostra a temperatura ambiente. A amplitude de visualização da temperatura ambiente vai de 8 °C a 39 °C. O mostrador pisca se a temperatura for inferior a 8 °C ou igual ou superior a 39 °C.

#### Visualização de Louver (Aleta)

Indica o movimento da aleta. Não aparece quando é seleccionada a opção de aleta parada.

#### ● (Indicador Power On (Ligado))

Indica que a energia está ligada.

### Sobre o controlo da(s) unidades (s)

#### Botões Set Temperature (Regulação da temperatura)

- Down (Para baixo)
- Up (Para cima)

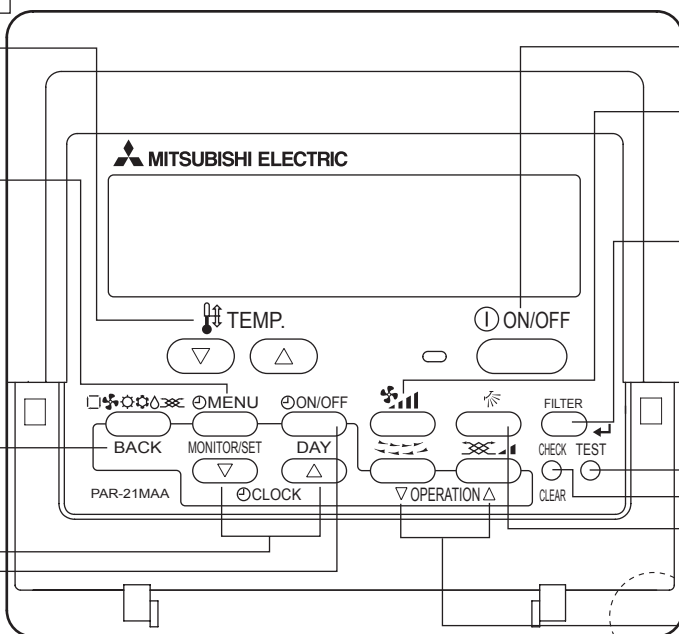
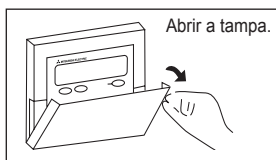
#### Botão Timer Menu (Menu de temporizador) (Botão Monitor/Set (Monitor/Configuração))

#### Botão Mode (Modo) (Retroceder)

#### Botões Set Time (Acertar hora)

- Back (Para trás)
- Ahead (Para a frente)

#### Botão On/Off Timer (Ligar/desligar temporizador) (Botão Set Day (Acertar dia))



#### Botão ON/OFF (Iniciar/Parar)

#### Botão Fan Speed (Velocidade da ventoinha)

#### Botão Filter (Filtro) (botão )

#### Botão Test Run (Teste)

#### Botão Check (Inspeção) (botão de apagar)

#### Botão Airflow Up/Down (Fluxo do ar para cima/para baixo)

#### Botão Louver (Aleta) Botão Operation (Operação)

muda para o número de operação anterior.

#### Botão Ventilation (Ventilação) (botão Operation (Operação))

muda para o próximo número de operação.

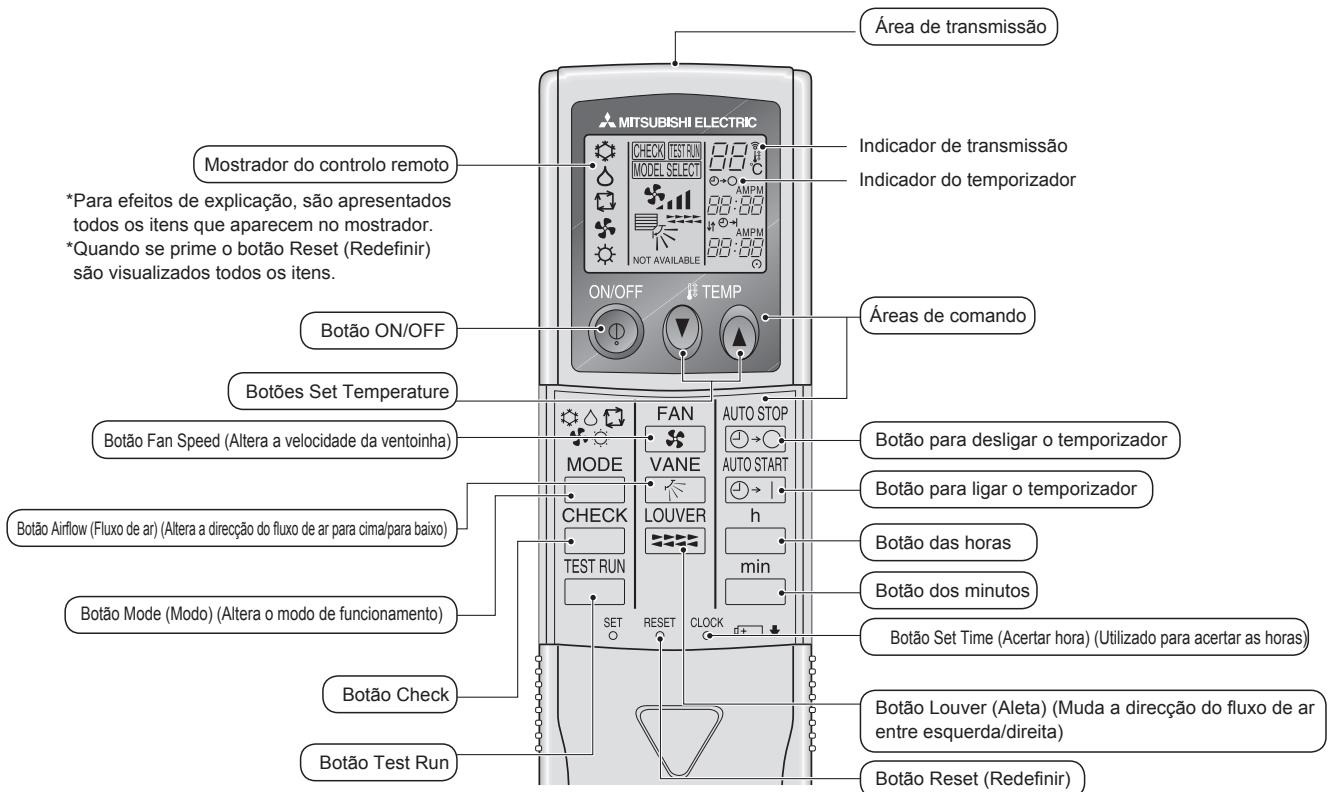
Sensor da temperatura integrado

#### Nota:

- Mensagem "PLEASE WAIT" (AGUARDAR, POR FAVOR)  
Esta mensagem é apresentada durante aproximadamente 3 minutos quando liga a unidade interior à corrente ou quando a unidade recomeça a funcionar após uma falta de corrente.
- Mostrador do modo de operação intermitente  
Quando há várias unidades interiores ligadas a uma só unidade exterior e estando seleccionado um modo de operação para uma unidade interior diferente do modo de operação actual de outra unidade interior, o mostrador do modo de operação fica intermitente. Selecciona o mesmo modo de operação da outra unidade interior.
- Mensagem "NOT AVAILABLE" (NÃO DISPONÍVEL)  
Esta mensagem é apresentada se premir um botão de uma função não disponível na unidade interior.  
Quando é utilizado o mesmo controlo remoto para várias unidades interiores, esta mensagem é apresentada se a unidade interior principal não possuir a função seleccionada.
- Mostrador da temperatura ambiente  
Para determinar a temperatura ambiente, podem ser seleccionados os sensores de temperatura da unidade interior ou do controlo remoto. Os sensores de temperatura da unidade interior são a programação inicial. Quando são seleccionados os sensores de temperatura da unidade interior para determinar a temperatura ambiente, no controlo remoto que opera várias unidades interiores é apresentada a temperatura ambiente obtida pela unidade interior principal.

## 2. Nomes das peças

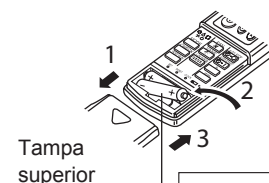
### ■ Para controlo remoto sem fio



- Quando utilizar o controlo remoto sem fios, aponte-o em direcção ao receptor da unidade interior.
- Se operar o controlo remoto no espaço de cerca de dois minutos após ligar a unidade interior, a unidade interior poderá emitir dois sinais sonoros indicando que está a efectuar a verificação automática inicial.
- A unidade interior emite um sinal sonoro para confirmar que recebeu o sinal enviado pelo controlo remoto. A unidade consegue receber sinais emitidos de distâncias até aproximadamente 7 metros da unidade, em linha recta, numa área de 45° à esquerda e à direita da unidade. Contudo, iluminação como por exemplo luzes fluorescentes e luzes fortes pode afectar a capacidade de recepção de sinais da unidade interior.
- Se a luz d3e funcionamento junto do receptor da unidade interior estiver a piscar, isso significa que a unidade necessita de ser inspeccionada. Contacte o vendedor para obter assistência.
- Trate o controlo remoto com cuidado! Não o deixe cair e não o submeta a fortes impactos. Não molhe o controlo remoto e não o deixe em locais com elevada humidade.
- Para evitar perder o controlo remoto, monte o suporte incluído com o controlo remoto numa parede e após a utilização coloque o controlo remoto sempre no respectivo suporte.

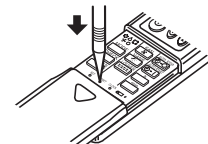
### Colocação/substituição de pilhas

1. Retire a tampa superior, introduza duas pilhas AAA e coloque a tampa superior de novo no devido lugar.



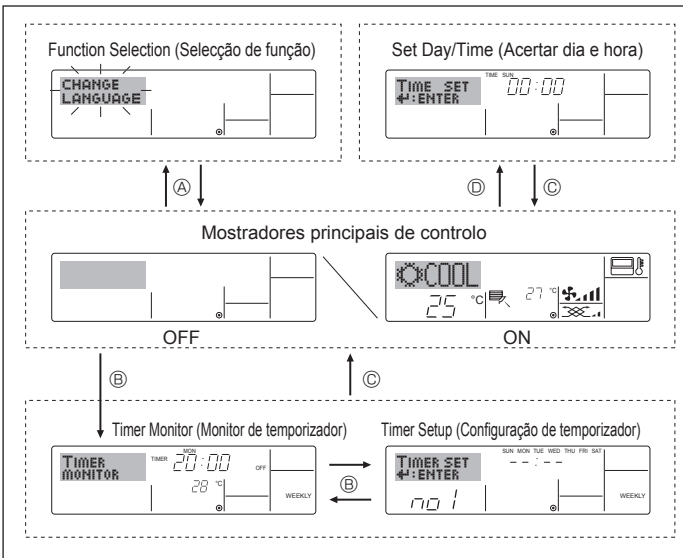
Duas pilhas AAA  
Introduza primeiro o pólo negativo (-) de cada pilha. Coloque as pilhas na direcção correcta (+, -)!

2. Prima o botão Reset (Redefinir).



Prima o botão Reset (Redefinir) com um objecto com ponta fina.

### 3. Configuração do mostrador



#### <Tipos de mostrador>

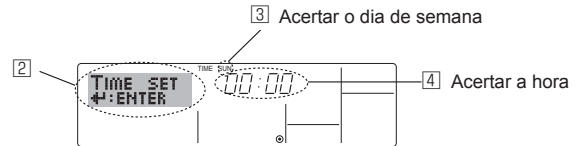
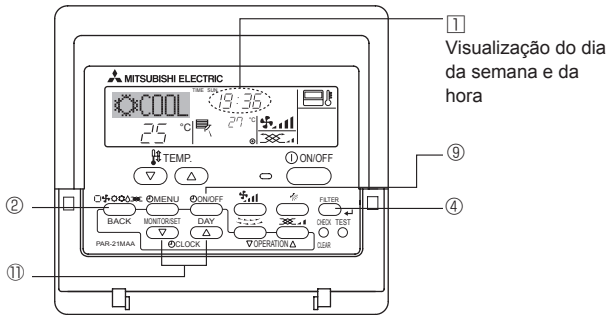
Não é possível definir o português como idioma para visualização. Portanto, será utilizado o inglês, como idioma predefinido, na visualização deste manual.

- **Function Selection (Selecção de função):** definir funções intervalos de valores no controlo remoto (funções de temporizador, restrições, etc.)
- **Set Day/Time (Acertar dia e hora):** acertar o dia da semana ou a hora actualis.
- **Mostradores principais de controlo:** ver e definir o estado da operação do sistema de ar condicionado
- **Timer Monitor (Monitor ver o temporizador definido (Weekly (Semanal), Simple (Simples) ou Auto Off (Desligar automático))**
- **Configurar temporizador: configurar operação para um dos temporizadores (Weekly (Semanal), Simple (Simples) ou Auto Off (Desligar automático))**

#### <Como alterar o mostrador>

- Para ir para ① : mantenha premido os botões Mode (Modo) e Timer On/ Off (Temporizador ligado/desligado) durante 2 segundos.
- Para ir para ② : prima o botão Timer Menu (Menu de temporizador).
- Para ir para ③ : prima o botão Mode (Modo) (Retroceder).
- Para ir para ④ : prima um dos botões de acertar hora (∇ ou Δ).

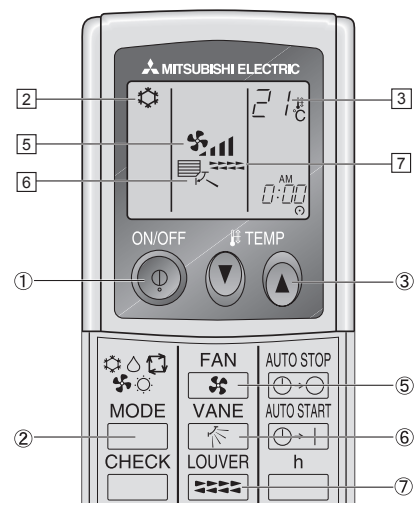
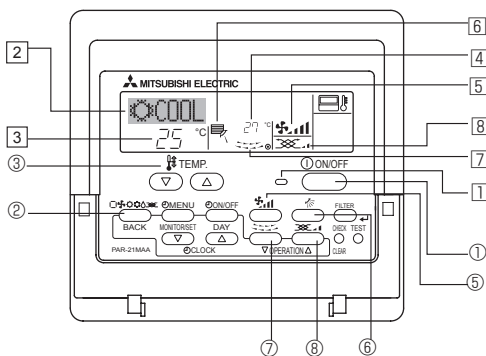
### 4. Acertar o dia de semana e a hora



1. Prima o botão de Set Time (Acertar hora) ∇ ou Δ ① para ver a indicação ②.
2. Prima o botão Timer On/Off (Temporizador ligado/desligado) (Acertar dia) ⑨ para acertar o dia.
- \* Cada pressão avança o dia mostrado em ③ : Sun → Mon → ... → Fri → Sat.
3. Prima o botão Set Time (Acertar hora) desejado ① até acertar a hora.
- \* Mantendo premido o botão, a hora (em ④) será incrementada; primeiro em intervalos de um minuto, depois em intervalos de 10 minutos e, depois, em intervalos de uma hora.
4. Uma vez concluídos os passos 2 e 3 prima o botão Filter ← (Filtro) ④ para registar os valores definidos.

**Nota:**  
Se o relógio tiver sido desactivado em Function Selection (Selecção de função) o dia e a hora não aparecem.

### 5. Funcionamento



#### 5.1. Ligar/Desligar

##### <Para iniciar a operação>

- Prima o botão ON/OFF ①.
- Acende-se a luz indicadora de ON (LIGADO) ① e o mostrador acende-se.

**Nota:**

- Quando a unidade é posta a funcionar, a configuração predefinida é a seguinte.

	Para configurar o controlo remoto	
Modo	Última configuração	
Regulação da temperatura	Última configuração	
Velocidade da ventoinha	Última configuração	
Fluxo do ar para cima/ para baixo	Modo	COOL ou DRY Saída horizontal *1
		HEAT Última configuração *2
		FAN Saída horizontal *1

\*1 A última definição pode ser implementada dependendo do tipo de unidade interior.

\*2 No caso de a última definição ser rotativa, o fluxo de ar pode ser Descendente 4 em função do tipo da unidade interior.

##### <Para parar a operação>

- Prima novamente o botão ON/OFF ①.
- Acende-se a luz indicadora de ON (LIGADO) ① e o mostrador apaga-se.

**Nota:**

Mesmo se carregar no botão ON/OFF imediatamente depois de desligar a operação em curso, o ar condicionado não funcionará durante três minutos, para não estragar os componentes internos.

## 5. Funcionamento

### 5.2. Selecção do modo

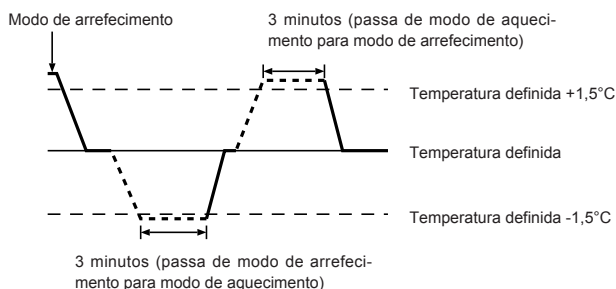
■ Carregue no botão (☐☐☐☐) ② do modo de funcionamento e selecione o modo de funcionamento ②.

- ☐☐☐☐ Modo de arrefecimento
- ☐☐☐☐ Modo de secagem
- ☐☐☐☐ Modo de ventilação
- ☐☐☐☐ Modo de aquecimento
- ☐☐☐☐ Modo automático (arrefecimento/aquecimento)

#### Funcionamento automático

■ De acordo com uma temperatura definida, a operação de arrefecimento começa se a temperatura ambiente estiver muito elevada e a operação de aquecimento começa se a temperatura ambiente estiver muito baixa.

■ Durante o funcionamento automático, se a temperatura ambiente sofrer alterações e permanecer 1,5 °C ou mais acima da temperatura definida durante 3 minutos, o aparelho de ar condicionado liga o modo de arrefecimento. Da mesma forma, se a temperatura ambiente permanecer 1,5 °C ou mais abaixo da temperatura definida durante 3 minutos, o aparelho de ar condicionado liga o modo de aquecimento.



■ Devido ao facto de a temperatura ambiente ser automaticamente ajustada para manter uma temperatura efectiva fixa, quando a temperatura é alcançada o arrefecimento é efectuado a alguns graus mais quente e o aquecimento é efectuado a alguns graus mais frio que a temperatura ambiente definida (operação de poupança de energia automática).

### 5.3. Definição da temperatura

▶ Para diminuir a temperatura ambiente:

Carregue no botão (⏮) ③ para regular a temperatura desejada. A temperatura seleccionada aparece no visor ③.

▶ Para aumentar a temperatura ambiente:

Carregue no botão (⏭) ③ para regular a temperatura. A temperatura seleccionada aparece no visor ③.

• As gamas de temperatura disponíveis são:

Arrefecimento e secagem: 19 - 30 °C

Aquecimento: 17 - 28 °C

Automático: 19 - 28 °C

• O mostrador fica intermitente exibindo 8 °C ou 39 °C para o informar se a temperatura ambiente é inferior ou superior à temperatura exibida.

### 5.4. Definição da velocidade da ventoinha

■ Prima o botão Fan Speed (Velocidade da ventoinha) ⑤, quantas vezes forem necessárias e com o sistema a funcionar.

- Cada pressão resulta numa alteração. O modo seleccionado aparece em ⑤.
- A sequência da alteração e as funções disponíveis são as seguintes.

FAN SPEED (Velocidade da ventoinha)	Mostrador
4 velocidades + Auto*	Velocidade 1 Velocidade 2 Velocidade 3 Velocidade 4 Auto
3 velocidades + Auto*	Velocidade 1 Velocidade 2 Velocidade 3 Auto
Modelo de 4 velocidades	Velocidade 1 Velocidade 2 Velocidade 3 Velocidade 4

\* Apenas para o controlo remoto MA. É necessária a regulação automática da velocidade da ventoinha para controlo remoto sem fios.

#### Nota:

● O número de velocidades de ventoinha disponíveis depende do tipo de unidade a que o equipamento estiver associado. Note, no entanto, que algumas unidades não possuem a configuração "Auto".

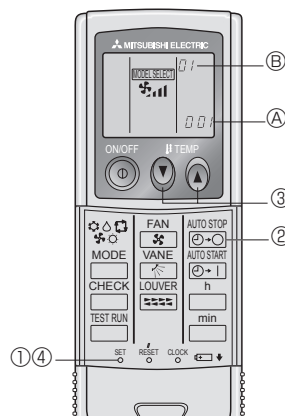
● Nos seguintes casos, a velocidade da ventoinha na unidade será diferente da que aparece no mostrador do controlo remoto.

1. Quando no mostrador aparece "STAND BY" ("SUSPENSO") ou "DEFROST" ("DESCONGELAR").
2. Quando a temperatura do permutador de calor está baixa no modo de aquecimento (por exemplo, imediatamente após o início da operação de aquecimento).
3. No modo HEAT (CALOR), quando a temperatura ambiente do compartimento é superior à temperatura regulada.
4. Quando a unidade se encontra no modo DRY (SECO).

#### ■ Programação da velocidade automática da ventoinha (para controlo remoto sem fio)

É necessário programar o controlo remoto sem fio apenas quando a velocidade automática da ventoinha não está predefinida. Não é necessário programar o controlo remoto com fio quando a velocidade automática da ventoinha está predefinida.

- ① Prima o botão SET com algo com bico. Realize esta operação quando o visor do controlo remoto estiver desligado.
  - ① (MODEL SELECT) pisca e Model No. acende (A).
- ② Prima o botão AUTO STOP (☐☐☐☐).
  - ② (MODEL SELECT) pisca e Model No. acende (B).
- ③ Prima os botões temp. (☺) (☺) para definir n.º 02. (Definição n.º 2: sem velocidade automática da ventoinha)
  - Se tiver cometido algum erro, prima o botão ON/OFF (☺) e tente novamente a partir do procedimento ②.
- ④ Prima o botão SET com algo com bico. (MODEL SELECT) e Model No. ficam iluminados durante 3 segundos e depois são desligados.



### 5.5. Definição da direcção do fluxo de ar

<Para alterar a direcção do fluxo do ar para cima/para baixo>

■ Com a unidade em funcionamento, prima o botão Airflow Up/Down (Fluxo do ar para cima/para baixo) ⑥ tantas vezes quantas for necessário.

- Cada pressão resulta numa alteração da direcção. A direcção seleccionada aparece em ⑥.
- A sequência da alteração e as funções disponíveis são as seguintes.

Floz de ar	Mostrador
Modelo de 5 passos*1	Swing Auto 1 2 3 4 5
Modelo de 4 passos (PMFY)	Swing 1 2 3 4 (Horiz.)
Modelo de 4 passos (PKFY-BM)	1 2 3 4 (Horiz.)

\* Note que durante o movimento da aleta, a indicação da direcção no mostrador não muda relativamente à sincronia com as lâminas na unidade.

\* Alguns modelos não permitem a regulação da direcção do ar.

\*1 Para o controlador remoto MA apenas, outro controlador remoto apresenta o mesmo que o modelo de 4 passos.

\*2 Definição da direcção do fluxo de ar <Auto>  
COOL/FAN/DRY : Definição 1 (Horizontal), HEAT : Definição 5 (Para baixo 5)



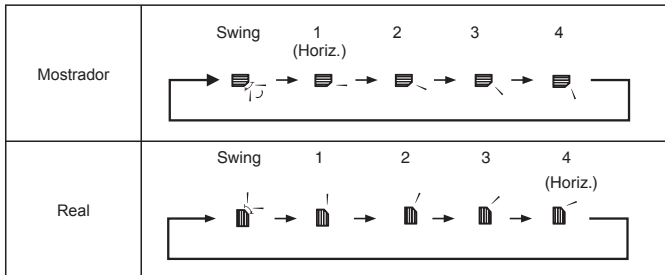
## 5. Funcionamento

### Nota:

- As direcções disponíveis dependem do tipo de unidade a que o equipamento está associado. Note também que algumas unidades não têm a opção "Auto".
- Nos seguintes casos, a direcção do ar será diferente da indicada no mostrador do controlo remoto.
  1. Quando no mostrador aparece "STAND BY" ("SUSPENSO") ou "DEFROST" ("DESCONGELAR").
  2. Imediatamente após iniciado o modo de calor (no espaço de tempo em que o sistema espera que a alteração faça efeito).
  3. No modo de calor, quando a temperatura ambiente do compartimento é superior à temperatura regulada.

(Para a série PFFY-P-VKM)

- Para a série PFFY-P-VKM, a direcção do fluxo de ar apresentada no controlo remoto é diferente da direcção do fluxo de ar real. Consulte o quadro que se segue.



- Não é possível definir a direcção do fluxo de ar para o regulador do volume de saída de ar inferior. A direcção do fluxo de ar é automaticamente controlada por computador.

### <[Manual] Para mudar a direcção esquerda/direita do fluxo de ar >

- \* O botão da grelha de ventilação ⑦ não pode ser utilizado.
  - Pare o funcionamento da unidade, segure no manípulo da grelha de ventilação e ajuste a direcção pretendida.
  - \* Não regule para a direcção interna quando a unidade estiver no modo de arrefecimento ou secagem porque existe o risco de condensação e gotejamento de água.



### ⚠ Cuidado:

Ao operar o processo acima, certifique-se de que toma medidas para evitar quedas.

## 5.6. Ventilação

### ▶ Para combinação com LOSSNAY

#### 5.6.1. Para controlo remoto ligado

- Para pôr o ventilador a funcionar com a unidade interior:
  - Prima o botão ON/OFF ①.
    - Aparece o indicador "Vent" (em ⑧). O ventilador funcionará automaticamente, sempre que a unidade interior estiver a funcionar.
- Para por o ventilador a funcionar só quando a unidade estiver desligada:
  - Prima o botão Ventilation (Ventilação) ⑧ com a unidade interior desligada.
    - A lâmpada indicadora de ligado (em ①) e a indicação Ventilation (em ⑧) acendem-se.
- Para alterar a velocidade do ventilador:
  - Prima o botão Ventilation (Ventilação) ⑧, tantas vezes quantas forem necessárias.
    - Cada pressão alterna o valor definido, tal como mostrado em baixo.



### Nota:

- Em algumas configurações, a ventoinha na unidade interior pode acender-se, mesmo quando o ventilador está configurado para funcionar independentemente.

## 6. Temporizador

### 6.1. Para controlo remoto ligado

Em Function Selection (Seleção de função) pode seleccionar qual dos três tipos de temporizador pretende utilizar. ① Temporizador Weekly (Semanal), ② temporizador Simple (Simples) ou ③ temporizador Auto Off (Desligar automaticamente).

#### 6.1.1. Weekly Timer (Temporizador semanal)

- O temporizador semanal pode ser utilizado para definir até oito operações para cada dia da semana.

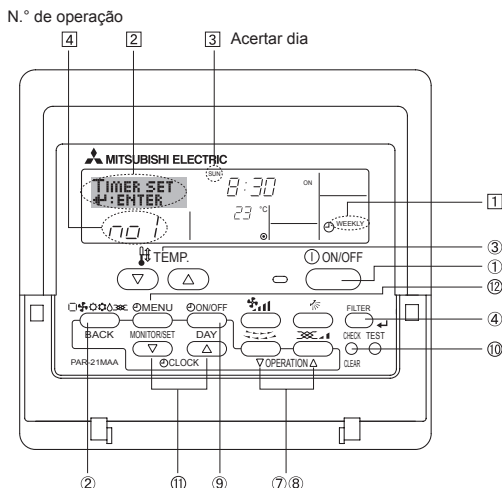
- Cada operação pode consistir no seguinte: Tempo para ON/OFF (LIGADO/DESLIGADO) e temperatura, só tempo para ON/OFF (LIGADO/DESLIGADO) ou só temperatura.
- Quando chega a hora definida para o temporizador, o ar condicionado executa a acção programada.

- A hora definida para este temporizador é de 1 minuto.

### Nota:

1. Os temporizadores Simple (Simples) e Auto Off (Desligar automático) não podem ser utilizados ao mesmo tempo.
2. O temporizador semanal não funciona quando se verifica uma das seguintes condições.

A funcionalidade de temporizador está desligada; o sistema está a funcionar de uma forma anormal; está a ser executado um teste; o controlo remoto está a efectuar um auto-diagnóstico; o utilizador está a configurar uma funcionalidade; o utilizador está a configurar o temporizador; o utilizador está a acertar o dia de semana ou a hora; o sistema está sob o controlo da unidade principal. (Mais precisamente, o sistema não executará operações (ligar unidade, desligar unidade, regular temperatura) que, nessas condições, são desligadas.)



### <Como configurar o temporizador semanal >

1. Certifique-se de que o mostrador é um mostrador inicial de controlo e que o indicador de temporizador semanal ① aparece no mostrador.
  2. Prima o botão Timer Menu (Menu de temporizador) ②, para aparecer "Set Up" (Configuração) no mostrador (em ②). (Note que cada pressão no botão alterna o mostrador entre "Set Up" (Configuração) e "Monitor".)
  3. Prima o botão Timer On/Off (Set Day (Acertar dia)) ③ para acertar o dia. Cada pressão avança o mostrador em ③ para o valor seguinte, na seguinte sequência: "Sun (Dom) Mon (Seg) Tues (Ter) Wed (Qua) Thurs (Qui) Fri (Sex) Sat (Sab)" → "Sun" ("Dom") → ... → "Fri" ("Sex") → "Sat" ("Sáb") → "Sun (Dom) Mon (Seg) Tues (Ter) Wed (Qua) Thurs (Qui) Fri (Sex) Sat (Sáb)" ...
  4. Prima o botão Operation ▽ (Operação) ou △ (⑦ ou ⑧) quantas vezes forem necessárias para seleccionar o número de operação apropriado (de 1 a 8) ④.
- \* Os valores que introduzir nos passos 3 e 4 seleccionarão uma das células da matriz mostrada em baixo.  
(O mostrador do controlo remoto à esquerda é o exemplo Operação 1 para Domingo, com os respectivos valores.)

### Matriz de configuração

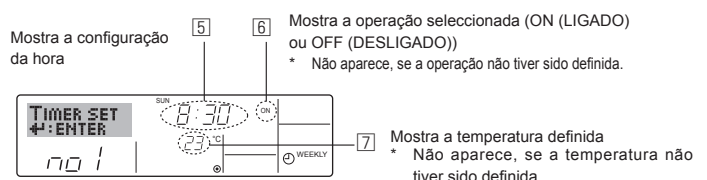
N.º Op.	Sunday	Monday	...	Saturday
No. 1	• 8:30 • ON • 23 °C			
No. 2	• 10:00 • OFF	• 10:00 • OFF	• 10:00 • OFF	• 10:00 • OFF
...				
No. 8				

<Configuração de Operação 1 para Domingo>  
Pôr o ar condicionado a funcionar à 8:30, à temperatura de 23 °C.

<Configuração de Operação 2 para todos os dias>  
Desligar o ar condicionado às 10:00.

### Nota:

Ao definir o dia como "Sun Mon Tues Wed Thurs Fri Sat (Dom Seg Ter Qua Qui Sex Sab)", está a determinar que a operação seleccionada deve ser efectuada todos os dias. (Exemplo: Operação 2, em cima; a mesma programação para todos os dias da semana.)



## 6. Temporizador

### <Configurar o temporizador semanal>

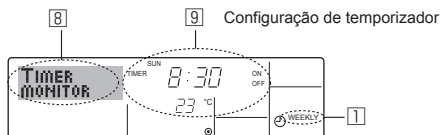
5. Prima o botão Set Time (Acertar hora) ① quantas vezes forem necessárias para definir a hora desejada (em ⑤).
- \* Ao premir o botão para baixo, o temporizador é primeiro incrementado em intervalos de um minuto e depois em intervalos de uma hora.
6. Prima o botão ON/OFF ① para seleccionar a operação desejada (Ligar ou Desligar), em ⑥.
- \* Cada pressão muda para o valor seguinte, nesta sequência: sem visualização (sem configuração) → "ON" → "OFF"
7. Prima o botão Set Temperature (Regular temperatura) ③ quantas vezes forem necessárias para definir a temperatura desejada (em ⑦).
- \* Cada pressão muda para o valor seguinte, nesta sequência: sem visualização (sem configuração) ↔ 24 ↔ 25 ↔ ... ↔ 29 ↔ 30 ↔ 12 ↔ ... ↔ 23 ↔ sem visualização.  
(Intervalo disponível: o intervalo de valores para esta definição é de 12 °C a 30 °C. O intervalo de valores para regulação, no entanto, varia consoante o tipo da unidade a que o equipamento estiver associado.)
8. Uma vez concluídos os passos 5, 6 e 7 prima o botão Filter ④ (Filtro) para registar os valores definidos.  
Para apagar os valores definidos para a operação seleccionada, prima e solte rapidamente uma vez o botão Check (Clear) (Inspeção (Apagar)) ⑩.
- \* A hora muda para "—:—", a definição On/Off e as regulações da temperatura desaparecem.  
(Para apagar todas as definições no temporizador semanal de uma só vez, prima e mantenha premido o botão Check (Clear) (Inspeção (Apagar)) ⑩, durante dois segundos ou mais. O mostrador começará a ficar intermitente, indicando que foram apagadas todas as programações.)

### Nota:

Os novos valores introduzidos serão cancelados se premir o botão Mode (Modo) (Retroceder) ② antes de premir o botão Filter ④ (Filtro) ④. Se tiver definido duas ou mais operações diferentes para exactamente a mesma hora, apenas a operação com o Operation No. (N.º de Operação) mais elevado será executada.

9. Repita os passos de 3 a 8 quantas vezes forem necessárias, para preencher as células que desejar.
10. Prima o botão Mode (Modo) (Retroceder) ② para concluir o processo de configuração.
11. Para activar o temporizador, prima o botão Timer On/Off (Temporizador ligar/desligar) ⑨, para que a indicação "Timer Off" desapareça.  
**Espere que a indicação "Timer Off" desapareça do mostrador.**
- \* Caso não haja quaisquer programações do temporizador, a indicação "Timer Off" (Temporizador desligado) estará intermitente no mostrador.

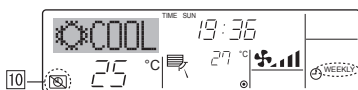
### <Para ver a configuração do temporizador semanal>



1. Certifique-se de que o indicador de temporizador semanal está visível (em ①).
2. Prima o botão do menu de temporizador ② para aparecer no mostrador a indicação "Monitor" (em ⑧).
3. Prima o botão Timer On/Off (Ligar/desligar temporizador) (Set Day) (Acertar dia) ⑨ as vezes que forem necessárias até seleccionar o dia que deseja ver.
4. Prima o botão de operação ∇ ou △ (7 ou 8) tantas vezes quantas forem necessárias para alterar a operação no mostrador (em ⑨).
- \* Cada pressão avançará para a operação seguinte, pela ordem cronológica definida.
5. Para fechar o monitor e voltar ao mostrador inicial de controlo, prima o botão Mode (Modo) (Retroceder) ②.

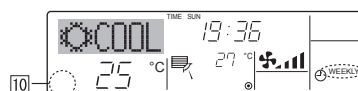
### <Para desligar o temporizador semanal>

Prima o botão Timer On/Off (Ligar/desligar temporizador) ⑨ para que apareça a indicação "Timer Off" (Temporizador desligado) em ⑩.



### <Para ligar o temporizador semanal>

Prima o botão Timer On/Off (Ligar/desligar temporizador) ⑨ para que a indicação "Timer Off" (Temporizador desligado) (em ⑩) se apague.



## 6.1.2. Simple Timer (Temporizador simples)

■ Pode utilizar o temporizador simples de três formas.

- Só hora de início:  
o ar condicionado começa a funcionar na hora programada.
- Só hora de parar:  
o ar condicionado pára de funcionar na hora programada.
- Horas de início e de parar:  
o ar condicionado começa a funcionar e pára na hora programada.

■ O temporizador (iniciar e parar) simples só pode ser configurado de 72 em 72 horas.

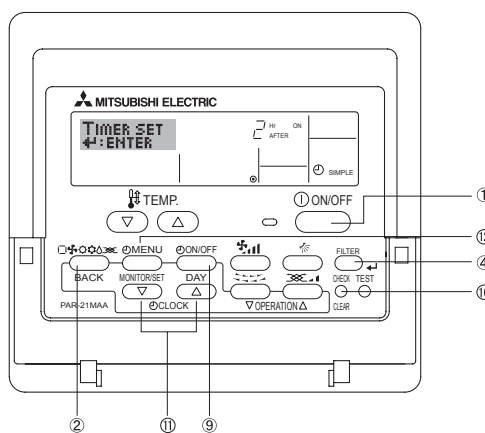
A hora é acertada em incrementos de uma hora.

### Nota:

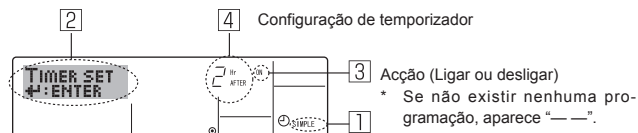
\*1. Os temporizadores Simple (Simples) e Auto Off (Desligar automático) não podem ser utilizados ao mesmo tempo.

\*2. O temporizador simples não funciona quando se verifica uma das seguintes condições.

Quando a função de temporizador está desligada, quando o sistema está a funcionar de forma anormal, durante um teste, durante uma auto-verificação ou diagnóstico do controlo remoto, ou quando o sistema se encontra sob controlo central. (Nestas condições, a operação "Ligar/Desligar" é desactivada.)



### <Como configurar o temporizador simples>



1. Certifique-se de que o mostrador é um mostrador inicial de controlo e que aparece o indicador de temporizador simples (em ①). Quando aparece uma indicação diferente de Simple Timer (Temporizador Simples), active SIMPLE TIMER utilizando a selecção de função (consulte 8.[4]-3 (3)) da programação da função de temporizador.
2. Prima o botão Timer Menu (Menu de temporizador) ②, para aparecer "Set Up" (Configuração) no mostrador (em ②). (Note que cada pressão no botão alterna o mostrador entre "Set Up" (Configuração) e "Monitor".)
3. Prima o botão ON/OFF ① para ver a definição actual ON (LIGAR) ou OFF (DESLIGAR) no temporizador simples. Prima o botão uma vez para ver o tempo que falta para ON (LIGAR), e prima mais uma vez para ver o tempo que falta para OFF (DESLIGAR). (Aparece a indicação ON/OFF (LIGAR/DESLIGAR) em ③).
- Temporizador "ON" (LIGAR):  
o ar condicionado começará a funcionar quando tiver passado o número de horas programado.
- Temporizador "OFF" (DESLIGAR):  
o ar condicionado parará de funcionar quando tiver passado o número de horas programado.
4. Com "ON" (LIGAR) ou "OFF" (DESLIGAR) visível em ③: Prima o botão Set Time (Configurar temporizador) ① tantas vezes quantas forem necessárias para acertar as horas para ON (LIGAR) (se estiver visível o indicador "ON") ou as horas para OFF (DESLIGAR), (se estiver visível o indicador "OFF" em ④).
- Intervalo disponível: de 1 a 72 horas
5. Para programar horas para ON (LIGAR) e OFF (DESLIGAR), repita os passos 3 e 4.
- \* Note que as horas para ON (LIGAR) e OFF (DESLIGAR) não podem ser programadas com o mesmo valor.
6. Para apagar a programação para ON ou OFF: Veja a hora programada para ON ou OFF (ver passo 3) e prima o botão Check (Verificar) (Apagar) ⑩ para que a hora apareça como "—" em ④. (Se desejar utilizar apenas a programação ON, certifique-se de que a outra opção aparece como "—".)

## 6. Temporizador

7. Depois de concluir os passos de 3 a 6 em cima, prima o botão Filter ← (Filtro) ④ para registar o novo valor.

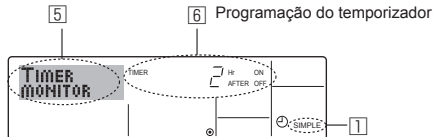
### Nota:

Se desejar cancelar os novos valores introduzidos prima o botão Mode (Modo) (Retroceder) ② antes de premir o botão Filter ← (Filtro) ④.

8. Prima o botão Mode (Modo) (Retroceder) ② para voltar ao mostrador inicial de controlo.

9. Prima o botão Timer On/Off (Ligar/desligar temporizador) ⑨ para iniciar a contagem decrescente do temporizador. Quando o temporizador está a funcionar, a contagem aparece no mostrador. **Certifique-se de que esse valor está correcto.**

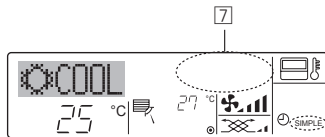
### <Para ver a programação actual do temporizador simples>



1. Certifique-se de que o indicador do temporizador simples está visível (em ①).
2. Prima o botão Timer Menu (Menu de temporizador) ⑫ para que apareça no mostrador a indicação "Monitor" (em ⑤).
  - Se estiver em execução o temporizador simples para ON (LIGAR) ou OFF (DESLIGAR), a programação aparece em ⑥.
  - Se tiverem sido definidos valores para ON (LIGAR) e OFF (DESLIGAR), estes aparecerão alternadamente.
3. Prima o botão Mode (Modo) (Retroceder) ② para fechar o mostrador de monitor e voltar ao mostrador inicial de controlo.

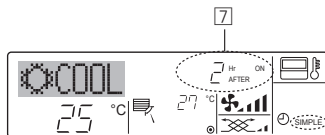
### <Para desligar o temporizador simples>

Prima o botão Timer On/Off (Ligar/desligar temporizador) ⑨, para apagar a programação do mostrador (em ⑦).



### <Para iniciar o temporizador simples>

Prima o botão Timer On/Off (Ligar/desligar temporizador) ⑨ para que a programação apareça em ⑦.

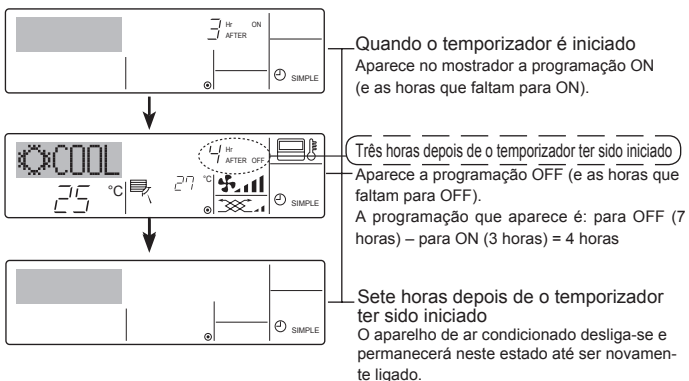


### Exemplos

Se tiverem sido programados ON (LIGAR) e OFF (DESLIGAR) no temporizador simples, a operação e os respectivos valores aparecem por baixo.

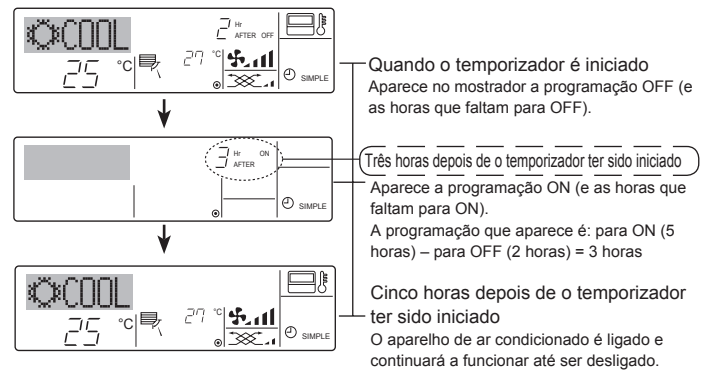
#### Exemplo 1:

Inicie o temporizador com a hora ON (Ligar) programada para uma hora anterior à hora OFF (Desligar)  
 Programação ON: 3 horas  
 Programação OFF: 7 horas



#### Exemplo 2:

Inicie o temporizador com a hora OFF (Desligar) programada para uma hora anterior à hora ON (Ligar)  
 Programação ON: 5 horas  
 Programação OFF: 2 horas

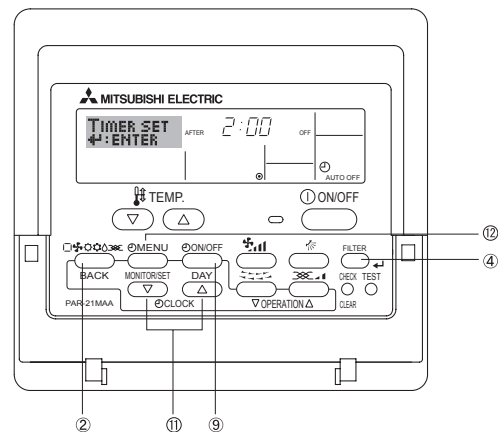


### 6.1.3. Auto Off Timer (Temporizador para desligar automaticamente)

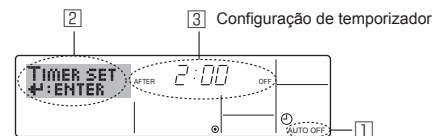
- Este temporizador inicia a contagem decrescente quando o ar condicionado começa a funcionar e desliga-o depois do tempo programado.
- As definições disponíveis são executadas de 30 minutos a 4 horas, em intervalos de 30 minutos.

### Nota:

- \*1. Os temporizadores Simple (Simples) e Auto Off (Desligar automático) não podem ser utilizados ao mesmo tempo.
- \*2. O temporizador Auto Off (Desligar automático) não funciona quando se verifica uma das seguintes condições. Quando a função de temporizador está desligada, quando o sistema está a funcionar de forma anormal, durante um teste, durante uma auto-verificação ou diagnóstico do controlo remoto, ou quando o sistema se encontra sob controlo central. (Nestas condições, a operação Ligar/Desligar é desactivada.)



### <Como configurar o temporizador Auto Off (Desligar automático)>



1. Certifique-se de que o mostrador é um mostrador principal de controlo e que a indicação Auto Off (Desligar automático) aparece no mostrador (em ①). Quando aparece uma indicação diferente de Auto Off Timer (Temporizador Desligar automático), active AUTO OFF TIMER utilizando a selecção de função (consulte 8.[4]-3 (3)) da programação da função de temporizador.
2. Prima e mantenha premido o botão do menu de temporizador ⑫ durante 3 segundos, para que apareça "Set Up" "Configuração" no mostrador (em ②). (Note que cada pressão no botão alterna o mostrador entre "Set Up" (Configuração) e "Monitor".)
3. Prima o botão Set Time (Acertar hora) ⑪ quantas vezes forem necessárias para definir a hora para OFF (em ③).
4. Prima o botão Filter ← (Filtro) ④ para registar o valor.

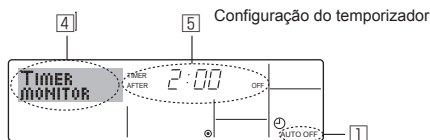
### Nota:

Se desejar cancelar o valor prima o botão Mode (Modo) (Retroceder) ② antes de premir o botão Filtro ← (Filtro) ④.

5. Prima o botão Mode (Modo) (Retroceder) ② para concluir o processo de configuração e voltar ao mostrador inicial de controlo.
6. Se o ar condicionado já estiver a funcionar, o temporizador inicia imediatamente a contagem decrescente. **Certifique-se de que a contagem no mostrador está correcta.**

## 6. Temporizador

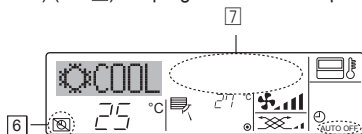
<Para ver a programação actual do temporizador Auto Off (Desligar automático)>



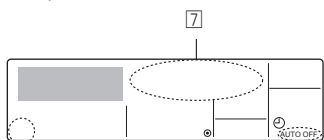
1. Certifique-se de que aparece no mostrador a indicação "Auto Off" (Desligar automático) (em 1).
2. Prima e mantenha premido o botão do menu de temporizador 2 durante **3 segundos**, para aparecer a indicação "Monitor" no mostrador (em 4).
  - Aparece o tempo que falta para desligar em 5.
3. Para fechar o monitor e voltar ao mostrador inicial de controlo, prima o botão Mode (Modo) (Retroceder) 2.

<Para desligar o temporizador Auto Off (Desligar automático)>

- Prima e mantenha premido o botão Timer On/Off (Ligar/desligar temporizador) 9 durante **3 segundos**, para que apareça a indicação Timer Off (Desligar temporizador) (em 6) e a programação do temporizador (em 7) desapareça.

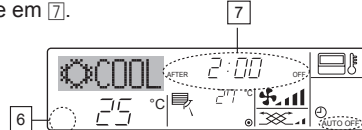


- Ou então, desligue o ar condicionado. A programação do temporizador (em 7) desaparece do mostrador.



<Para iniciar o temporizador Auto Off (Desligar automático)>

- Prima e mantenha premido o botão Timer On/Off (Ligar/desligar temporizador) 9 durante **3 segundos**. A indicação Timer Off (Desligar temporizador) desaparece (em 6) e o temporizador acende-se (em 7).
- Ou então, ligue o ar condicionado. A programação do temporizador aparece em 7.



## 7. Outras funções

### 7.1. Bloquear os botões do controlo remoto (limitação de operações)

- Se pretender, pode bloquear os botões do controlo remoto. Pode utilizar Function Selection (Seleção de função) do controlo remoto para seleccionar o tipo de bloqueio a utilizar.

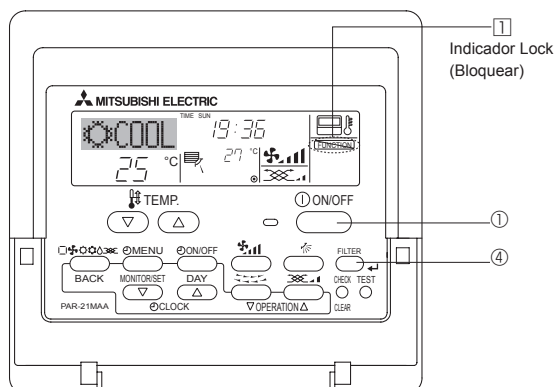
(Para obter informações acerca de como desactivar o bloqueio consulte, na secção 8, o item [4]-2 (1)).

Especificamente, pode utilizar um destes dois tipos de bloqueio.

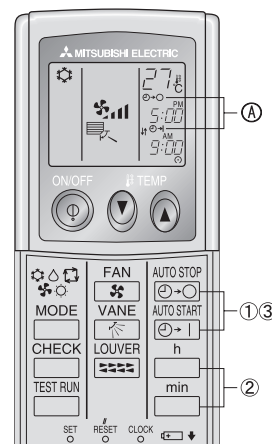
- 1 Bloquear todos os botões:  
bloqueia todos os botões do controlo remoto.
- 2 Bloquear todos os botões, excepto ON/OFF:  
bloqueia todos os botões, excepto os botão ON/OFF.

Nota:

O indicador "Locked" (Bloqueado) aparece no mostrador, indicando que os botões foram bloqueados.



## 6.2. Para controlo remoto sem fio



- 1 Carregue na tecla **AUTO STOP** ou **AUTO START** (TIMER SET).

- A hora pode ser regulada enquanto o seguinte símbolo estiver a piscar.

Temporizador OFF: A  $\ominus$   $\ominus$  está a piscar.

Temporizador ON : A  $\ominus$   $\ominus$  | está a piscar.

- 2 Utilize as teclas  $\square$  e  $\square$  para regular a hora desejada.

- 3 Cancelamento do temporizador.

Para cancelar a hora de desactivação do temporizador, carregue na tecla **AUTO STOP**.

Para cancelar a hora de activação do temporizador, carregue na tecla **AUTO START**.

- É possível combinar as duas temporizações, OFF e ON.
- Carregando na tecla 1 ON/OFF do controlo remoto durante o modo de temporizador para parar a unidade, cancelará os temporizadores.
- Se a hora actual não tiver sido regulada, a operação do temporizador não pode ser usada.

<Como bloquear os botões>

1. Enquanto mantém premido o botão Filter (Filtro) 4, prima e mantenha premido o botão ON/OFF 1 durante 2 segundos. Aparece a indicação "Locked" (Bloqueado) no mostrador (em 1), indicando que o bloqueio foi aplicado.

- \* Se a função de bloqueio tiver sido desactivada em Function Selection (Seleção de função), aparece a mensagem "Not Available" (Não disponível) quando premir os botões, tal como descrito em cima.



- Se premir um botão bloqueado, começa a piscar no mostrador a indicação "Locked" (Bloqueado) (em 1).



<Como desbloquear os botões>

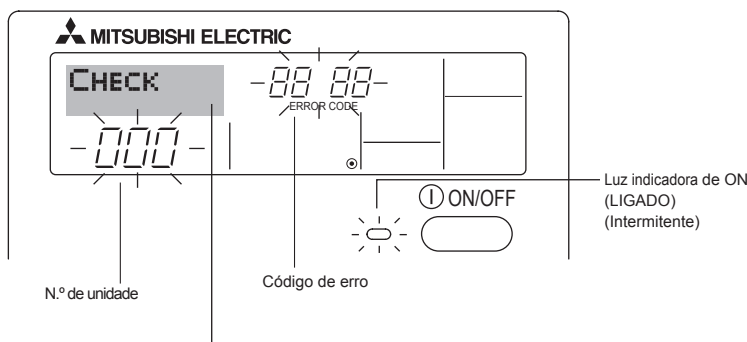
1. Com o botão Filter (Filtro) 4 premido, prima e mantenha premido o botão ON/OFF 1 durante 2 segundos para que a indicação "Locked" (Bloqueado) desapareça do mostrador (em 1).





## 7. Outras funções

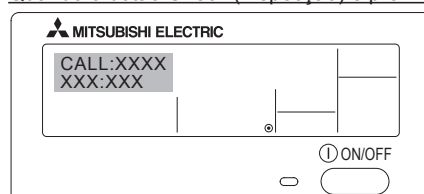
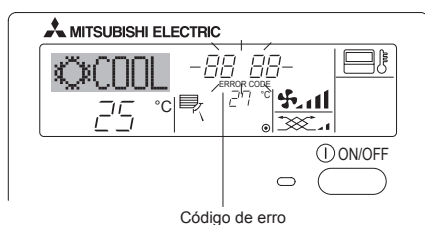
### 7.2. Indicação de códigos de erro



Se tiver introduzido o número de telefone para onde se deve ligar no caso de algum problema, esse número aparece no mostrador. (Pode fazê-lo em Function Selection. Para mais informações, consulte a secção 8.)

- Se a lâmpada indicadora de ON (Ligado) e o código de erro estiverem ambos intermitentes: Significa que o ar condicionado está avariado e que o funcionamento foi interrompido (e que não é possível voltar ao funcionamento normal). Tome nota do código de erro e do número de unidade, desligue a energia do ar condicionado e telefone ao vendedor ou serviço de reparações.

Quando o botão Check (Inspeção) é premido:



- Se apenas o código de erro estiver intermitente (e a lâmpada indicadora de ON (LIGADO) apenas acesa): A operação está a continuar, mas pode existir algum problema no sistema. Nesse caso, deve tomar nota do código de erro e consultar o vendedor ou o serviço de reparações.
- \* Se tiver introduzido um número de telefone para o qual se deve ligar no caso de problemas, prima o botão Check (Inspeção), para que esse número apareça no mostrador. (Pode fazê-lo em Function Selection. Para mais informações, consulte a secção 8.)

## 8. Selecção de Função

### Selecção de função do controlo remoto

As definições das funções do controlo remoto que se seguem podem ser alteradas através do modo de selecção de função do controlo remoto. Altere a definição conforme necessário.

Item 1	Item 2	Item 3 (conteúdo da definição)
1. Alteração de idioma ("CHANGE LANGUAGE")	Definição do idioma a visualizar	<ul style="list-style-type: none"> <li>• É possível a visualização em vários idiomas</li> </ul>
2. Limite da função ("FUNCTION SELECTION")	(1) Definição do limite da função de operação (bloqueio da operação) ("LOCKING FUNCTION")	• Definição da amplitude do limite de operação (bloqueio da operação)
	(2) Utilização da definição de modo automático ("SELECT AUTO MODE")	• Definição da utilização ou não utilização do modo de operação "automático"
	(3) Definição do limite de variação da temperatura ("LIMIT TEMP FUNCTION")	• Definição da variação regulável da temperatura (máximo, mínimo)
3. Selecção de modo ("MODE SELECTION")	(1) Definição do controlo remoto mestre/subordinado ("CONTROLLER MAIN/SUB")	<ul style="list-style-type: none"> <li>• Selecção do controlo remoto mestre ou subordinado</li> <li>* Quando dois controlos remotos estão ligados a um grupo, um deles tem que ser definido como subordinado.</li> </ul>
	(2) Utilização da definição do relógio ("CLOCK")	• Definição da utilização ou não utilização da função de relógio
	(3) Definição da função do temporizador ("WEEKLY TIMER")	• Definição do tipo de temporizador
	(4) Definição do número de contacto em situação de erro ("CALL.")	<ul style="list-style-type: none"> <li>• Visualização do número de contacto em caso de erro</li> <li>• Definição do número de telefone</li> </ul>
4. Visualização da alteração ("DISP MODE SETTING")	(1) Definição do visor da temperatura °C/°F ("TEMP MODE °C/°F")	• Definição da unidade de temperatura (°C ou °F) a visualizar
	(2) Definição do visor da temperatura do ar de aspiração ("ROOM TEMP DISP SELECT")	• Definição da utilização ou não utilização da visualização da temperatura do ar (aspiração) do interior
	(3) Definição do visor de refrigeração/aquecimento ("AUTO MODE DISP C/H")	• Definição da utilização ou não utilização da visualização de "Refrigeração" ou "Aquecimento" no visor, durante a operação em modo automático



# 8. Selecção de Função

## [Fluxograma de selecção de função]

Definição de idioma

(a definição inicial é English (inglês))

Visor normal (visualização quando o aparelho de ar condicionado não está em funcionamento)

Mantenha o botão de (E) premido e prima o botão de (D) durante dois segundos.

Mantenha o botão de (E) premido e prima o botão de (D) durante dois segundos.

(E) Prima o botão do modo de funcionamento.

(G) Prima o botão TIMER MENU (Menu de temporizador).

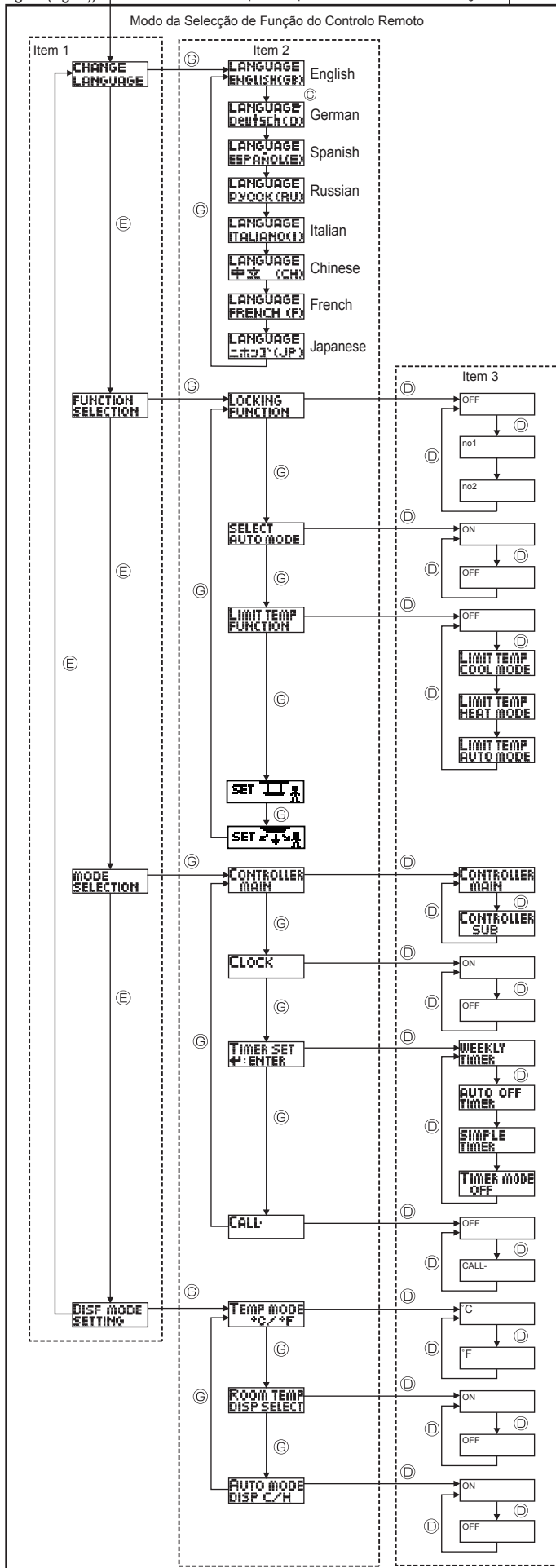
(D) Prima o botão TIMER ON/OFF (Temporizador ligado/

Alteração de idioma

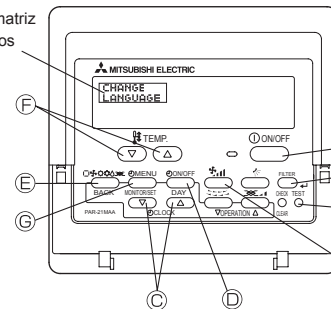
Seleção de Função

Seleção de modo

Visualização da alteração



Visor por matriz de pontos



A definição de bloqueio de operação não é utilizada. (Valor da definição inicial)

A definição de bloqueio de operação é aplicada a todos os botões, excepto aos botão de ligar/desligar (ON/OFF).

A definição de bloqueio de operação é aplicada a todos os botões.

O modo automático é visualizado quando se selecciona o modo de funcionamento. (Valor da definição inicial)

O modo automático não é visualizado quando o modo de funcionamento é seleccionado.

O limite para a amplitude térmica não está activo. (Valor da definição inicial)

A amplitude térmica pode ser alterada no modo de arrefecimento/desumidificação.

A amplitude térmica pode ser alterada no modo de aquecimento.

A amplitude térmica pode ser alterada no modo automático.

Modo de operação automático do painel de elevação do filtro para cima/para baixo Não é necessário para programar este modo. Consulte o MANUAL DE OPERAÇÃO de Peças Opcionais (Painel) para obter mais informações relativamente à operação. Fixed airflow direction mode (Modo da direcção do fluxo de ar programada) Não é necessário para programar este modo. Consulte o MANUAL DE OPERAÇÃO da unidade interior para obter mais informações relativamente à operação.

O controlo remoto será o mestre. (Valor da definição inicial)

O controlo remoto será o subordinado.

A função do relógio pode ser utilizada. (Valor da definição inicial)

A função do relógio não pode ser utilizada.

A função Weekly timer (Temporizador semanal) pode ser utilizada. (Valor da definição inicial)

A função Auto Off Timer (Temporizador para desligar automaticamente) pode ser utilizada.

A função Simple timer (Temporizador simples) pode ser utilizada.

O modo de temporizador não pode ser utilizado

Os números de contacto não são visualizados em caso de erro. (Valor da definição inicial)

Os números de contacto são visualizados em caso de erro.

É utilizada a unidade de temperatura °C. (Valor da definição inicial)

É utilizada a unidade de temperatura °F.

É indicada a temperatura do ar ambiente. (Valor da definição inicial)

Não é indicada a temperatura do ar ambiente.

No modo automático visualiza-se o visor "Automatic cooling" (Arrefecimento automático) ou "Automatic heating" (Aquecimento automático). (Valor da definição inicial)

No modo automático apenas se visualiza "Automatic" (Automático).

## 8. Selecção de Função

### [Definição detalhada]

#### [4]-1. Definição de ALTERAR IDIOMA

O idioma que aparece no visor por matriz de pontos pode ser seleccionado.

- Prima o botão de [⏏ MENU] ⑥ para alterar o idioma.
  - ① inglês (GB), ② alemão (D), ③ espanhol (E), ④ russo (RU), ⑤ italiano (I), ⑥ chinês (CH), ⑦ francês (F), ⑧ japonês (JP)

Consultar o quadro por matriz de pontos.

#### [4]-2. Limite da função

##### (1) Definição do limite da função de operação (bloqueio da operação)

- Para alterar a definição, prima o botão de [⏏ ON/OFF] ⑥.
  - ① no1: A definição de bloqueio da operação é feita em todos os botões, excepto no botão de [⏏ ON/OFF].
  - ② no2: A definição de bloqueio da operação é feita em todos os botões.
  - ③ OFF (Valor da definição inicial):  
A definição de bloqueio da operação não é feita.

\* Para tornar a definição de bloqueio da operação válida no visor normal, é necessário premir os botões (mantenha premidos simultaneamente os botões [FILTER] e [⏏ ON/OFF] durante dois segundos) no visor normal depois de ter sido feita a definição anterior.

##### (2) Utilização da definição de modo automático

Quando o controlo remoto está ligado à unidade que se encontra em modo de operação automático, podem ser feitas as definições que se seguem.

- Para alterar a definição, prima o botão de [⏏ ON/OFF] ⑥.
  - ① ON (Valor da definição inicial):  
O modo automático é visualizado quando é seleccionado o modo de operação.
  - ② OFF:  
O modo automático não é visualizado quando é seleccionado o modo de operação.

##### (3) Definição do limite de variação da temperatura

Depois de feita esta definição, a temperatura pode ser alterada dentro da variação definida.

- Para alterar a definição, prima o botão de [⏏ ON/OFF] ⑥.
  - ① LIMIT TEMP COOL MODE :  
A variação da temperatura pode ser alterada no modo de refrigeração/desumidificação.
  - ② LIMIT TEMP HEAT MODE :  
A variação da temperatura pode ser alterada no modo de aquecimento.
  - ③ LIMIT TEMP AUTO MODE :  
A variação da temperatura pode ser alterada no modo automático.
  - ④ OFF (definição inicial): O limite de variação da temperatura não está activo.

\* Quando é feita outra definição além de OFF, a definição do limite de variação da temperatura nos modos de refrigeração, aquecimento e automático é feita ao mesmo tempo. Contudo, a variação não pode ser limitada quando a variação de temperatura definida não tiver sido alterada.

- Para aumentar ou diminuir a temperatura, prima o botões [TEMP. (▽) ou (△)] ⑥.

• Para alterar a definição do limite superior e inferior, prima o botão de [TEMP. (▽) ou (△)] ⑥. A programação seleccionada estará intermitente e poderá programar a temperatura.

• Definição da variação

Modo de Refrigeração/Desumidificação:

Limite inferior: 19°C a 30°C      Limite superior: 30°C a 19°C

Modo de aquecimento:

Limite inferior: 17°C a 28°C      Limite superior: 28°C a 17°C

Modo automático:

Limite inferior: 19°C a 28°C      Limite superior: 28°C a 19°C

#### [4]-3. Definição da selecção de modo

##### (1) Definição do controlo remoto mestre/subordinado

- Para alterar a definição, prima o botão de [⏏ ON/OFF] ⑥.
  - ① Main: O controlo remoto será o mestre.
  - ② Sub: O controlo remoto será o subordinado.

##### (2) Utilização da definição do relógio

- Para alterar a definição, prima o botão de [⏏ ON/OFF] ⑥.
  - ① ON: A função do relógio pode ser utilizada.
  - ② OFF: A função do relógio não pode ser utilizada.

##### (3) Definição da função do temporizador

- Para alterar a definição, prima o botão de [⏏ ON/OFF] ⑥ (Escolha uma das opções que se seguem).
  - ① WEEKLY TIMER (Valor da definição inicial):  
O temporizador semanal pode ser utilizado.
  - ② AUTO OFF TIMER:  
O temporizador de desligamento automático pode ser utilizado.
  - ③ SIMPLE TIMER:  
O temporizador simples pode ser utilizado.
  - ④ TIMER MODE OFF:  
O modo de temporizador não pode ser utilizado.
- \* Quando a utilização da definição do relógio está em OFF, o "WEEKLY TIMER" (TEMPORIZADOR SEMANAL) não pode ser utilizado.

##### (4) Definição do número de contacto em situação de erro

- Para alterar a definição, prima o botão de [⏏ ON/OFF] ⑥.
  - ① CALL OFF:  
A definição dos números de contacto não é visualizada em caso de erro.
  - ② CALL \*\*\*\* \* :  
A definição dos números de contacto é visualizada em caso de erro.  
CALL \_ :  
O número de contacto pode ser programado quando o mostrador estiver tal como mostrado acima.
- Definição dos números de contacto  
Para poder definir os números de contacto, execute os procedimentos que se seguem.  
Desloque o cursor intermitente para definir os números. Prima o botões [TEMP. (▽) e (△)] ⑥ para mover o cursor para a direita (esquerda). Prima o botões [⏏ CLOCK (▽) e (△)] ⑥ para definir os números.

#### [4]-4. Definição de alteração do visor

##### (1) Definição do visor da temperatura °C/°F

- Para alterar a definição, prima o botão de [⏏ ON/OFF] ⑥.
  - ① °C: É utilizada a unidade de temperatura °C.
  - ② °F: É utilizada a unidade de temperatura °F.

##### (2) Definição da visualização da temperatura do ar ambiente

- Para alterar a definição, prima o botão de [⏏ ON/OFF] ⑥.
  - ① ON: É indicada a temperatura do ar de aspiração.
  - ② OFF: Não é indicada a temperatura do ar de aspiração.

##### (3) Definição do visor de refrigeração/aquecimento

- Para alterar a definição, prima o botão de [⏏ ON/OFF] ⑥.
  - ① ON:  
É visualizado "Refrigeração automática" e "Aquecimento automático" sob modo automático em funcionamento.
  - ② OFF:  
Apenas é visualizado "Automático" sob o modo automático.

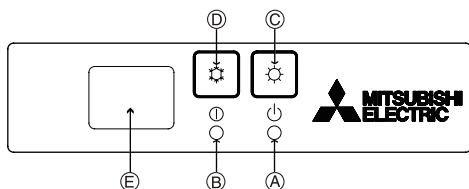
## 8. Selecção de Função

[Quadro por matriz de pontos]

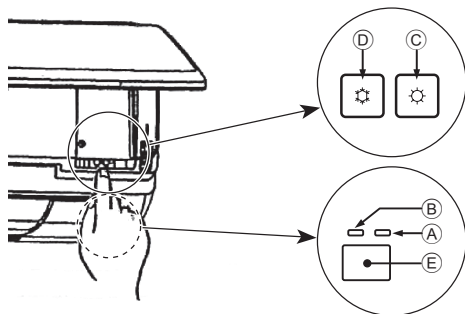
Definição de idioma	English	German	Spanish	Russian	Italian	Chinese	French	Japanese	
À espera que a operação de arranque termine	PLEASE WAIT	←	←	←	←	←	←	←	
Modo de funcionamento	Modo de arrefecimento	COOL	Kühlen	FRÍO	Холод	COOL	FROID	冷房	
	Modo de secagem	DRY	Trocknen	DESHUMIDIFICACION	Сушка	DRY	DESHU	ドライ	
	Modo de aquecimento	HEAT	Heizen	CALOR	Тепло	HEAT	CHAUD	暖房	
	Modo automático	AUTO	AUTO	AUTOMÁTICO	АВТО	AUTO	自动	AUTO	自動
	Modo automático (Modo de arrefecimento)	COOL	Kühlen	FRÍO	Холод	COOL	制冷	FROID	冷房
	Modo automático (Modo de aquecimento)	HEAT	Heizen	CALOR	Тепло	HEAT	制热	CHAUD	暖房
	Modo de ventilação	FAN	Lüfter	VENTILACION	ВЕНТ	VENTILAZIONE	送风	VENTI LATION	送風
	Ventilação	VENTILATION	Gebläse Betrieb	VENTILACION	ВЕНТИЛЯЦИЯ	ARIA ESTERNA	换气	VENTI LATION	換気
Suspensão (Regulação de calor)	STAND BY	STAND BY	CALENTANDO	ОБОГРЕВ: ПАУЗА	STAND BY	准备中	PRE CHAUFFAGE	準備中	
Descongelação	DEFROST	Abtauen	DESCONGELACION	ОТТАВЛИВАНИЕ	SBRINAMENTO	除霜中	DEGIVRAGE	霜取中	
Temperatura definida	SET TEMP	TEMP einstellen	TEMP. CONSIGNA	ЦЕЛЕВАЯ ТЕМПЕРАТУРА	IMPOSTAZIONE TEMPERTURA	设定温度	REGLAGE TEMPERATURE	設定温度	
Velocidade da ventoinha	FAN SPEED	Lüftersgeschwindigkeit	VELOCIDAD VENTILADOR	СКОРОСТЬ ВЕНТИЛЯТОРА	VELOCITA' VENTILATORE	风速	VITESSE DE VENTILATION	風速	
Botão fora de utilização	NOT AVAILABLE	nicht verfügbar	NO DISPONIBLE	НЕ ДОСТУПНО	NON DISPONIBILE	无效按钮	NON DISPONIBLE	無効ボタン	
Verificar (Erro)	CHECK	Prüfen	COMPROBAR	ПРОВЕРКА	CHECK	検査	CONTROLE	点検	
Teste de funcionamento	TEST RUN	Testbetrieb	TEST FUNCIONAMIENTO	ТЕСТОВЫЙ ЗАПУСК	TEST RUN	试运行	TEST	試運転	
Autoverificação	SELF CHECK	Selbst-diagnose	AUTO REVISION	САМОДИАГНОСТИКА	SELF CHECK	自我诊断	AUTO CONTROLE	自己診断	
Seleção do funcionamento da unidade da unidade	FUNCTION SELECTION	FUNKTION AUSWAHL	SELECCIÓN DE FUNCIÓN	ВЫБОР ФУНКЦИИ	SELEZIONE FUNZIONI	功能选择	SELECTION FONCTIONS	メニュー選択	
Definir ventilação	SETTING OF VENTILATION	Lüfterstufen wählen	CONFIG. VENTILACION	НАСТРОЙКА ВЕНТУСТАНА	IMPOSTAZIONE ARIA ESTERNA	换气设定	SELECTION VENTILATION	换气設定	

Definição de idioma	English	German	Spanish	Russian	Italian	Chinese	French	Japanese
Alteração de idioma	CHANGE LANGUAGE	←	←	←	←	←	←	←
FUNCTION SELECTION	FUNCTION SELECTION	Funktion auswählen	SELECCIÓN DE FUNCIONES	ВЫБОР ФУНКЦИИ	SELEZIONE FUNZIONI	功能限制	SELECTION FONCTIONS	メニュー制限
Definição do limite da função de operação	LOCKING FUNCTION	Sperre - Funktion	FUNCIÓN BLOQUEADA	ФУНКЦИЯ БЛОКИРОВКИ	BLOCCO FUNZIONI	操作限制	BLOCAGE FONCTIONS	操作ロック
Utilização da definição de modo automático	SELECT AUTO MODE	Auswahl Auto Betrieb	SELECCIÓN MODO AUTO	ВЫБОР РЕЖИМА АВТО	SELEZIONE MODO AUTO	自动模式	SELECTION DU MODO AUTO	自動モード
Definição do limite da amplitude térmica	LIMIT TEMP FUNCTION	Limit Temp Funktion	LIMIT TEMP CONSIGNA	ОГРАНИЧЕНИЕ УСТ.ТЕМПЕРАТ	LIMITAZIONE TEMPERATURA	温度限制	LIMITATION TEMPERATURE	温度制限
Limite da temperatura do modo de arrefecimento/dia	LIMIT TEMP COOL MODE	Limit Kühl Temp	LIMIT TEMP MODO FRIO	ОГРАНИЧЕНИЕ ОХЛАЖ.ДЕНЬ	LIMITAZIONE MODO COOL	制冷范围	LIMITE TEMP MODO FROID	制冷冷房
Limite da temperatura do modo de aquecimento	LIMIT TEMP HEAT MODE	Limit Heiz Temp	LIMIT TEMP MODO CALOR	ОГРАНИЧЕН ОБОГРЕВ	LIMITAZIONE MODO HEAT	制热范围	LIMITE TEMP MODO CHAUD	制热暖房
Limite da temperatura do modo automático	LIMIT TEMP AUTOMODE	Limit Auto Temp	LIMIT TEMP MODO AUTO	ОГРАНИЧЕН РЕЖИМ АВТО	LIMITAZIONE MODO AUTO	自动范围	LIMITE TEMP MODO AUTO	自动自動
Seleção de modo	MODE SELECTION	Betriebsart wählen	SELECCIÓN DE MODO	ВЫБОР РЕЖИМА	SELEZIONE MODO	基本模式	SELECTION DU MODO	基本メニュー
Definição do controlo remoto MESTRE	CONTROLLER MAIN	Haupt Controller	CONTROL PRINCIPAL	ОДНОВИДНОЙ ПУЛЬТ	CONTROLLO MAIN	遥控主	TELOMANDE MAITRE	リモコン 主機
Definição do controlo remoto SUBORDINADO	CONTROLLER SUB	Neben Controller	CONTROL SECUNDARIO	ДОПОЛНИТЕЛЬНЫЙ ПУЛЬТ	CONTROLLO SUB	遥控辅	TELOMANDE ESCLAVE	リモコン 主副
Utilização da definição do relógio	CLOCK	Uhr	RELOJ	ЧАСЫ	OROLOGIO	时钟	AFFICHAGE HORLOGE	時計 3300
Definição do dia da semana e da hora	TIME SET $\uparrow$ :ENTER	Uhr stellen $\uparrow$ :einstellen	CONFIG RELOJ $\uparrow$ :CONFIG	ЧАСЫ:УСТ. $\uparrow$ :ВВОД	OROLOGIO $\uparrow$ :ENTER	时间 $\uparrow$ :ENTER	HORLOGE $\uparrow$ :ENTRER	トクイセッテイ $\uparrow$ : カクテイ
Definição do temporizador	TIMER SET $\uparrow$ :ENTER	Zeitschaltuhr $\uparrow$ :einstellen	TEMPORIZA - DOR $\uparrow$ :CONFIG	ТАЙМЕР:УИТ. $\uparrow$ :ВВОД	TIMER $\uparrow$ :ENTER	定时器 $\uparrow$ :ENTER	PROG HORAIRE $\uparrow$ :ENTRER	タイマーセッテイ $\uparrow$ : カクテイ
Monitor de temporizador	TIMER MONITOR	Uhrzeit Anzeige	VISUALIZAR TEMPORIZAD.	ПРОСМОТР ТАЙМЕРА	VISUALIZ TIMER	定时器状态	AFFICHAGE PROG HORAIRE	タイマーモニター
Temporizador semanal	WEEKLY TIMER	Wochenzeit schalt Uhr	TEMPORIZA - DOR SEMANAL	НЕДЕЛЬНЫЙ ТАЙМЕР	TIMER SETTIMANALE	每周定时器	PROG HERDO MADAIRE	タイマー 週間
Modo de temporizador desligado	TIMER MODE OFF	Zeitschaltuhr AUS	TEMPORIZA - DOR APAGADO	ТАЙМЕР ВЫКЛ.	TIMER OFF	定时器无效	PROG HORAIRE INACTIF	タイマー 無効 3300
Temporizador para desligar automaticamente	AUTO OFF TIMER	Auto Zeit funktion AUS	APAGADO AUTOMÁTICO	АВТОМАТИЧ. ПО ТАЙМЕРУ	AUTO OFF TIMER	解除定时	PROG HORAIRE ARRET AUTO	タイマー-オフオコウ
Temporizador simples	SIMPLE TIMER	Einfache Zeitfunktion	TEMPORIZA - DOR SIMPLE	ПРОСТОЙ ТАЙМЕР	TIMER SEMPLIFICATO	简易定时器	PROG HORAIRE SIMPLIFIE	タイマー-カンイ
Definição dos números de contacto em situação de erro	CALL	←	←	←	←	←	←	←
Alteração do visor	DISP MODE SETTING	Anzeige Betriebsart	MOSTRAR MODO	НАСТРОЙКА НАД РЕЖИМА	IMPOSTAZIONE MODO DISPLAY	转换表示	AFFICHAGE SOUS MENU	表示切替
Definição da visualização da temperatura em °C/°F	TEMP MODE °C/°F	Wechsel °C/°F	TEMP GRADOS °C/°F	ЕДИН.ТЕМПЕР °C/°F	TEMPERATURA °C/°F	温度 °C/°F	TEMPERATURE °C/°F	温度 °C/°F
Definição da visualização da temperatura do ar ambiente	ROOM TEMP DISP SELECT	Room Temp zeWahlit	MOSTRAR TEMP	ПОКАЗЫВАТЬ ТЕМП.В НОРМ.	TEMPERATURA AMBIENTE	吸入温度	TEMPERATURE AMBIANTE	スィコエント 3300
Definição da visualização de arrefecimento/aquecimento automático	AUTO MODE DISP C/H	Auto Betrieb C/H	MOSTRAR F/C EN AUTO	НАД. Т/Х В РЕЖИМЕ АВТО	AUTO C/H	自动表示	AFFICHAGE AUTO F/C	自動 3300

## 9. Funcionamento de emergência para controlo remoto sem fios



(Para PKFY-P-VHM-E)



### Quando o controlo remoto não puder ser utilizado

Quando as pilhas do controlo remoto perderem a carga ou o controlo remoto funcionar mal, a operação de emergência pode ser executada através dos botões de emergência.

- Ⓐ Lâmpada DEFROST/STAND BY (descongelar/em espera)
- Ⓑ Lâmpada de operação
- Ⓒ Interruptor de operação de emergência (aquecimento)
- Ⓓ Interruptor de operação de emergência (arrefecimento)
- Ⓔ Receptor

Iniciar o funcionamento

- Para funcionar no modo de arrefecimento, prima o botão Ⓓ durante mais de 2 segundos.
- Para funcionar no modo de aquecimento, prima o botão Ⓒ durante mais de 2 segundos.

Nota:

- Os detalhes do modo de emergência são mostrados abaixo.

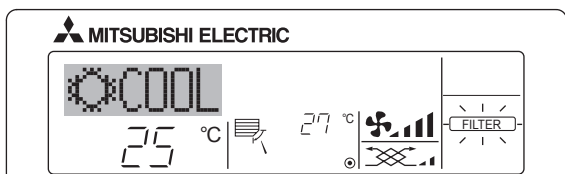
Os detalhes do MODO DE EMERGÊNCIA são mostrados abaixo.

Modo de operação	ARREFECIMENTO	AQUECIMENTO
Temperatura definida	24°C	24°C
Velocidade de ventoinha	Alta	Alta
Direcção do fluxo de ar	Horizontal	Para baixo 4 (5)

Parar o funcionamento

- Para parar o funcionamento, prima o botão Ⓓ ou o botão Ⓒ durante mais de 2 segundos.

## 10. Cuidados e limpeza



- Indica que o filtro necessita de ser limpo.

Limpar o filtro.

- Quando redefinir o visor "FILTER"

Quando o botão [FILTER] é premido duas vezes sucessivamente depois de limpar o filtro, o visor apaga e é redefinido (reset).

Nota:

- Quando dois ou mais tipos diferentes de unidades interiores são controlados, o período de limpeza varia consoante o tipo de filtro. Quando chega a altura de limpar a unidade mestre, é visualizado "FILTER". Quando o visor do filtro apaga, o tempo cumulativo é redefinido (reset).
- "FILTER" indica o período de limpar quando o aparelho de ar condicionado foi utilizado sob condições gerais de ar interior sob o critério de tempo. Como o grau de sujidade depende das condições ambientais, limpe o filtro em conformidade com estas condições.
- O tempo cumulativo do período de limpeza do filtro difere de modelo para modelo.
- Esta indicação não está disponível para controlo remoto sem fios.

### ▶ Limpeza dos filtros

- Limpe os filtros com um aspirador. Se não tiver aspirador, sacuda-os contra um objecto sólido para eliminar a sujidade e a poeira.
- Se os filtros estiverem muito sujos, lave-os com água tépida. Tenha cuidado para enxaguar devidamente qualquer resto de detergente e deixar secar bem os filtros antes de os repor no aparelho.

⚠ Cuidado:

- Não seque os filtros ao sol nem com uma fonte de calor, tal como um radiador eléctrico, pois isso pode deformá-los.
- Não lave os filtros com água quente (acima de 50°C); pode deformá-los.
- Assegure-se de que os filtros de ar estão bem instalados. Pôr o aparelho a trabalhar sem os filtros de ar pode causar mau funcionamento.

⚠ Cuidado:

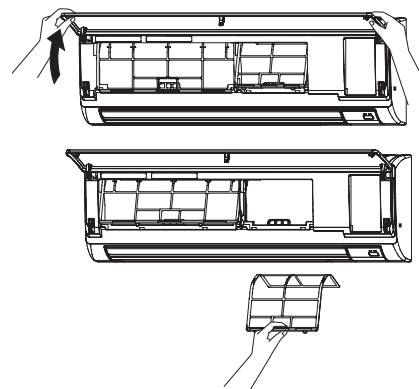
- Antes de iniciar a limpeza, pare a máquina e desligue a corrente.
- As unidades interiores estão equipadas com filtros para eliminar a poeira do ar aspirado. Limpe os filtros utilizando os métodos ilustrados nas figuras.

### ▶ Remoção do filtro

⚠ Cuidado:

- Quando remover o filtro, devem ser tomadas precauções para proteger os olhos do pó. Se também tiver que subir a um banco para efectuar o trabalho, tenha cuidado para não cair.
- Quando o filtro for removido, não toque nas partes metálicas dentro da unidade interior, caso contrário, isto poderá provocar ferimentos.

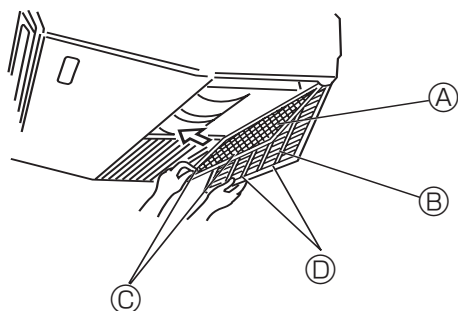
- PKFY-P-VBM-E  
PKFY-P-VHM-E



- ① Puxe a grelha de admissão pelos dois cantos inferiores para abrir e levantar o filtro.

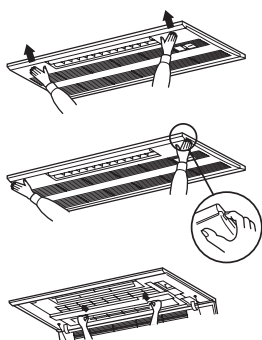
## 10. Cuidados e limpeza

### ■ PCFY-P-VKM-E



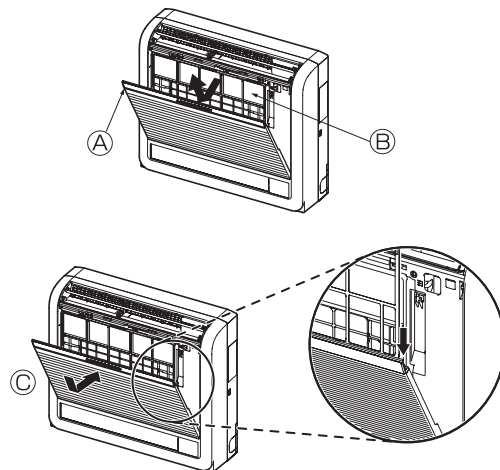
- ① Abra a grelha de admissão.
  - ② Segure o botão e puxe o filtro para cima na direcção da seta. Ao repor o filtro após a limpeza, certifique-se de que o introduziu até ele tocar no batente.
- Ⓐ Filtro    Ⓑ Grelha de admissão    Ⓒ Botão    Ⓓ Batente

### ■ PMFY-P-VBM-E



- ① Carregando no botão PUSH situado na parte de fora da grelha de admissão, provoca a abertura da grelha.
- ② Um filtro com grelha de admissão incorporada extrai-se puxando-o para a frente.

### ■ PFFY-P-VKM-E(2)



- ① Retire o filtro de ar Catechin.
- Ⓐ Abra a grelha frontal  
Ⓑ Filtro de ar Catechin

#### ⚠ Cuidado:

Quando retirar o filtro de ar Catechin, não toque nas partes metálicas da unidade interior. Isto pode provocar ferimentos.

- ② Instale o filtro de ar Catechin. Certifique-se de que instala ambas as extremidades nas patilhas, tal como é indicado.
- Ⓒ Instale-o.
- ③ Feche bem a grelha frontal.



## 11. Avarias

Está a ter algum problema?	Aqui está a solução. (A unidade está a funcionar correctamente.)
O aparelho de ar condicionado não aquece ou não arrefece bem.	<ul style="list-style-type: none"> <li>■ Limpe o filtro. (O fluxo de ar é menor quando o filtro está sujo ou entupido.)</li> <li>■ Verifique a regulação da temperatura e regule a temperatura definida.</li> <li>■ Certifique-se de que existe muito espaço à volta da unidade exterior. A entrada ou saída de ar da unidade interior está obstruída?</li> <li>■ Deixou uma porta ou uma janela aberta?</li> </ul>
Quando a operação de aquecimento se inicia, o ar que sai da unidade interior não sai logo quente.	<ul style="list-style-type: none"> <li>■ Só sai ar quente quando a unidade interior tiver aquecido o suficiente.</li> </ul>
Durante o modo de aquecimento, o aparelho de ar condicionado pára antes de atingir a temperatura ambiente definida.	<ul style="list-style-type: none"> <li>■ Quando a temperatura exterior é baixa e a humidade é elevada, pode formar-se gelo na unidade exterior. Se isso acontecer, a unidade exterior efectua uma operação de descongelação. O funcionamento normal será retomado após aproximadamente 10 minutos.</li> </ul>
A direcção do fluxo de ar muda durante o funcionamento ou não é possível definir a direcção do fluxo de ar.	<ul style="list-style-type: none"> <li>■ Durante o modo de arrefecimento, as lâminas movem-se automaticamente para a posição horizontal (para baixo) após 1 hora, quando se selecciona a direcção de fluxo de ar para baixo (horizontal). Isto acontece para evitar que ocorra formação de água e que pingue água das lâminas.</li> <li>■ Durante o modo de aquecimento, as lâminas movem-se automaticamente para a direcção de fluxo de ar horizontal quando a temperatura do fluxo de ar é baixa ou durante o modo de descongelação.</li> </ul>
Quando a direcção do fluxo de ar é alterada, as lâminas movem-se sempre para cima e para baixo, para além da posição definida, antes de pararem na posição pretendida.	<ul style="list-style-type: none"> <li>■ Quando a direcção do fluxo de ar é alterada, as lâminas movem-se para a posição definida depois de detectarem a posição base.</li> </ul>
Ouve-se um som de água a correr ou de sibilação ocasional.	<ul style="list-style-type: none"> <li>■ Estes sons podem ouvir-se quando o refrigerante está a circular no aparelho de ar condicionado ou quando o fluxo do refrigerante está a mudar.</li> </ul>
Ouve-se ranger ou ouvem-se estalidos.	<ul style="list-style-type: none"> <li>■ Podem ouvir-se sons deste tipo quando as peças roçam umas nas outras devido a expansão e contracção causada por mudanças de temperatura.</li> </ul>
A divisão tem um odor desagradável.	<ul style="list-style-type: none"> <li>■ A unidade interior aspira ar que contém gases provenientes de paredes, carpintaria e mobiliário bem como odores de roupas e depois lança esse ar novamente para a divisão.</li> </ul>
A unidade interior emite um vapor ou névoa branca.	<ul style="list-style-type: none"> <li>■ Isto pode acontecer aquando do início do funcionamento, se a temperatura interior e a humidade forem elevadas.</li> <li>■ Durante o modo de descongelação, é possível que fluxo de ar frio seja lançado para baixo e surja sob o aspecto de névoa.</li> </ul>
A unidade exterior emite água ou vapor.	<ul style="list-style-type: none"> <li>■ Durante o modo de arrefecimento, pode formar-se água que pode pingar de tubos de arrefecimento e uniões.</li> <li>■ Durante o modo de aquecimento, pode formar-se água que pode pingar do permutador de calor.</li> <li>■ Durante o modo de descongelação, a água no permutador de calor evapora-se e pode surgir vapor de água.</li> </ul>
O indicador de funcionamento não aparece no mostrador do controlo remoto.	<ul style="list-style-type: none"> <li>■ Ligue o botão de ligar/desligar. No mostrador do controlo remoto surgirá o símbolo "●".</li> </ul>
O aparelho de ar condicionado não funciona, apesar de ter premido o botão ON/OFF. A indicação do modo de operação no controlo remoto desaparece.	<ul style="list-style-type: none"> <li>■ O interruptor de alimentação da unidade interior está desligado? Ligue o interruptor de alimentação.</li> </ul>
No mostrador do controlo remoto surge o símbolo "☒".	<ul style="list-style-type: none"> <li>■ Quando a unidade está sob o controlo central, o símbolo "☒" aparece no mostrador do controlo remoto e o controlo remoto não pode ser utilizado para iniciar ou parar o funcionamento do aparelho de ar condicionado.</li> </ul>
Quando se liga o aparelho de ar condicionado pouco tempo depois de se ter desligado esse aparelho, o aparelho não funciona apesar de se ter premido o botão ON/OFF (LIGAR/DESLIGAR).	<ul style="list-style-type: none"> <li>■ Espere cerca de três minutos. (O funcionamento foi interrompido para proteger o aparelho de ar condicionado.)</li> </ul>
O aparelho de ar condicionado funciona sem que se prima o botão ON/OFF (LIGAR/DESLIGAR).	<ul style="list-style-type: none"> <li>■ O temporizador está definido?</li> <li>■ Prima o botão ON/OFF (LIGAR/DESLIGAR) para parar o funcionamento.</li> <li>■ O aparelho de ar condicionado está ligado a um controlo remoto central? Contacte as pessoas que controlam o aparelho de ar condicionado.</li> <li>■ O símbolo "☒" aparece no mostrador do controlo remoto? Contacte as pessoas que controlam o aparelho de ar condicionado.</li> <li>■ Está definida a função de reinício automático após falta de corrente? Prima o botão ON/OFF (LIGAR/DESLIGAR) para parar o funcionamento.</li> </ul>
O aparelho de ar condicionado pára de funcionar sem que se prima o botão ON/OFF (LIGAR/DESLIGAR).	<ul style="list-style-type: none"> <li>■ Está definido o temporizador para desligar automaticamente? Prima o botão ON/OFF (LIGAR/DESLIGAR) para retomar o funcionamento.</li> <li>■ O aparelho de ar condicionado está ligado a um controlo remoto central? Contacte as pessoas que controlam o aparelho de ar condicionado.</li> <li>■ O símbolo "☒" aparece no mostrador do controlo remoto? Contacte as pessoas que controlam o aparelho de ar condicionado.</li> </ul>
Não se consegue definir a operação do temporizador do controlo remoto.	<ul style="list-style-type: none"> <li>■ As definições do temporizador são inválidas? Se o temporizador puder ser definido, o símbolo (WEEKLY), (SIMPLE) ou (AUTO OFF) aparece no mostrador do controlo remoto.</li> </ul>
No mostrador do controlo remoto surge a mensagem "PLEASE WAIT" (AGUARDAR, POR FAVOR).	<ul style="list-style-type: none"> <li>■ O aparelho está a proceder às definições iniciais. Espere cerca de 3 minutos.</li> </ul>
Surge um código de erro no mostrador do controlo remoto.	<ul style="list-style-type: none"> <li>■ Os dispositivos de protecção entraram em funcionamento para proteger o aparelho de ar condicionado.</li> <li>■ Não tente proceder a reparações neste equipamento. Desligue imediatamente o botão de ligar/desligar e contacte o vendedor. Certifique-se de que comunica ao vendedor o nome do modelo e a informação que apareceu no mostrador do controlo remoto.</li> </ul>
Ouve-se o som de drenagem de água ou de um motor em rotação.	<ul style="list-style-type: none"> <li>■ Quando a operação de arrefecimento pára, a bomba de drenagem funciona e depois pára. Espere cerca de 3 minutos..</li> </ul>

## 11. Avarias

Está a ter algum problema?	Aqui está a solução. (A unidade está a funcionar correctamente.)												
O ruído é superior ao indicado nas especificações.	<p>■ O nível sonoro produzido pelo funcionamento da unidade interior é afectado pela acústica da divisão em particular, conforme indicado no quadro a seguir, e será superior ao valor indicado nas especificações que foi medido numa sala isenta de eco.</p> <table border="1"> <thead> <tr> <th></th> <th>Locais com elevada absorção sonora</th> <th>Locais normais</th> <th>Locais com baixa absorção sonora</th> </tr> </thead> <tbody> <tr> <td>Exemplos de locais</td> <td>Estúdio de rádio, sala de música, etc.</td> <td>Recepção, átrio principal de hotel, etc.</td> <td>Escritório, quarto de hotel</td> </tr> <tr> <td>Níveis de ruído</td> <td>3 to 7 dB</td> <td>6 to 10 dB</td> <td>9 to 13 dB</td> </tr> </tbody> </table>		Locais com elevada absorção sonora	Locais normais	Locais com baixa absorção sonora	Exemplos de locais	Estúdio de rádio, sala de música, etc.	Recepção, átrio principal de hotel, etc.	Escritório, quarto de hotel	Níveis de ruído	3 to 7 dB	6 to 10 dB	9 to 13 dB
	Locais com elevada absorção sonora	Locais normais	Locais com baixa absorção sonora										
Exemplos de locais	Estúdio de rádio, sala de música, etc.	Recepção, átrio principal de hotel, etc.	Escritório, quarto de hotel										
Níveis de ruído	3 to 7 dB	6 to 10 dB	9 to 13 dB										
Não aparece nada no mostrador do controlo remoto sem fios, os dados do mostrador são pouco visíveis ou os sinais só são recebidos pela unidade interior se o controlo remoto estiver perto.	<p>■ As pilhas estão fracas. Substitua as pilhas e prima o botão Reset (Redefinir).</p> <p>■ Se continuar a não aparecer nada no mostrador mesmo depois de substituir as pilhas, verifique se as pilhas estão colocadas na direcção correcta (+, -).</p>												
A luz de funcionamento junto do receptor do controlo remoto sem fios, na unidade interior, está a piscar.	<p>■ A função de autodiagnóstico entrou em funcionamento para proteger o aparelho de ar condicionado.</p> <p>■ Não tente proceder a reparações neste equipamento. Desligue imediatamente o botão de ligar/desligar e contacte o vendedor. Certifique-se de que comunica ao vendedor o nome do modelo</p>												
O ar quente que sai da unidade interior sai de forma intermitente com o modo de aquecimento desligado ou durante o modo de ventilação.	<p>■ Quando há outra unidade interior a funcionar no modo de aquecimento, a válvula de controlo abre e fecha ocasionalmente, para manter a estabilidade no sistema de ar condicionado. Após algum tempo, esta operação é interrompida. * Se isto provocar um aumento não desejado da temperatura ambiente em divisões pequenas, etc., interrompa temporariamente o funcionamento da unidade interior.</p>												
O regulador do volume de ar abre e fecha automaticamente. (Para a série PFFY-P-VKM-E)	<p>■ O regulador do volume de ar é controlado automaticamente por um microcomputador, de acordo com a temperatura do fluxo de ar e o tempo de funcionamento do aparelho de ar condicionado.</p>												

### ► Controlo de saída de ar (série PFFY-P-VKM-E)

Esta unidade é controlada automaticamente, para que o ar saia simultaneamente pelas saídas de ar superior e inferior, de modo a que se verifique um aquecimento ou arrefecimento eficaz da divisão.

#### Descrição da operação

Operação	ARREFECIMENTO		DESUMIDIFICAÇÃO	QUENTE		VENTOINHA
Fluxo de ar						
Condições	A temperatura da divisão e a temperatura definida são diferentes.	A temperatura ambiente está próxima da temperatura ajustada ou termostato desligado.	—	(Estado normal (em aquecimento))	Durante a operação de descongelação, início da operação, termostato desligado	—

- Certifique-se de que mantém a área em torno do regulador do volume de ar da saída de ar inferior desobstruída de quaisquer objectos. Esta unidade pode ser definida para soprar ar apenas a partir da saída de ar superior, alterando a definição do interruptor no quadro de endereços (consulte o seu revendedor).

#### Amplitude de aplicação:

A gama das temperaturas de funcionamento para as unidades interior e exterior das séries Y, R2, Multi-S, é descrita a seguir.

#### ⚠ Aviso:

Se o aparelho de ar condicionado funcionar mas não arrefecer nem aquecer (conforme o modelo) a divisão, entre em contacto com o seu revendedor porque pode haver uma fuga de refrigerante. Quando for feita a reparação, tenha o cuidado de perguntar ao técnico de assistência se há ou não alguma fuga de refrigerante.

O refrigerante introduzido no aparelho de ar condicionado é seguro. Normalmente não há fuga de gás refrigerante, no entanto, se houver uma fuga no interior e o gás entrar em contacto com fogo, aquecedor com ventilador, aquecedor de interior, fogão, etc. serão geradas substâncias perigosas.

## 12. Especificações

### ■ Série PCFY-P-VKM-E

Modelo	P40	P63	P100	P125
Fonte de Alimentação (Voltagem <V> / Frequência )	<Hz> ~/N 220-230-240/50, 220/60			
Capacidade (Arrefecimento/Aquecimento)	<kW> 4,5/5,0	7,1/8,0	11,2/12,5	14,0/16,0
Dimensão (Altura)	<mm> 230			
Dimensão (Largura)	<mm> 960	1280	1600	
Dimensão (Comprimento)	<mm> 680			
Peso Líquido	<kg> 24	32	36	38
Valor do Fluxo de Ar da Ventoinha (Baixo-Medium 2-Medium 1-Alto)	<m <sup>3</sup> /min> 10-11-12-13	14-15-16-18	21-24-26-28	21-24-27-31
Nível de Ruído (Baixo-Medium 2-Medium 1-Alto)	<dB> 29-32-34-36	31-33-35-37	36-39-41-43	36-39-42-44

#### Nota

\* Temperatura de funcionamento da unidade interior.

Modo arrefecimento: 15°C WB - 24°C WB

Modo aquecimento: 15°C DB - 27°C DB

\*1 A capacidade de Arrefecimento/Aquecimento indica o valor máximo durante o funcionamento sob a seguinte condição.

Arrefecimento: Interior 27 °C DB/19 °C WB, Exterior 35 °C DB

Aquecimento: Interior 20 °C DB, Exterior 7 °C DB/6 °C WB

### ■ Série PKFY-P-VBM-E

### ■ Série PKFY-P-VHM-E

Modelo	P15	P20	P25	P32	P40	P50
Fonte de Alimentação (Voltagem <V> / Frequência )	<Hz> ~/N 220-230-240/50, 220/60					
Capacidade (Arrefecimento/Aquecimento)	<kW> 1,7/1,9	2,2/2,5	2,8/3,2	3,6/4,0	4,5/5,0	5,6/6,3
Dimensão (Altura)	<mm> 295			<mm> 295		
Dimensão (Largura)	<mm> 815			<mm> 898		
Dimensão (Comprimento)	<mm> 225			<mm> 249		
Peso Líquido	<kg> 10			<kg> 13		
Valor do Fluxo de Ar da Ventoinha (Baixo-Medium 2-Medium 1-Alto)	<m <sup>3</sup> /min> 4,9-5,0-5,2-5,3	4,9-5,2-5,6-5,9		9-10-11	9-10,5-11,5	9-10,5-12
Nível de Ruído (Baixo-Medium 2-Medium 1-Alto)	<dB> 29-31-32-33	29-31-34-36		34-37-41	34-38-41	34-39-43

#### Nota

\* Temperatura de funcionamento da unidade interior.

Modo arrefecimento: 15°C WB - 24°C WB

Modo aquecimento: 15°C DB - 27°C DB

\*1 A capacidade de Arrefecimento/Aquecimento indica o valor máximo durante o funcionamento sob a seguinte condição.

Arrefecimento: Interior 27 °C DB/19 °C WB, Exterior 35 °C DB

Aquecimento: Interior 20 °C DB, Exterior 7 °C DB/6 °C WB

### ■ Série PMFY-P-VBM-E

Modelo	P20	P25	P32	P40
Fonte de Alimentação (Voltagem <V> / Frequência )	<Hz> ~/N 220-230-240/50, 220/60			
Capacidade (Arrefecimento/Aquecimento)	<kW> 2,2/2,5	2,8/3,2	3,6/4,0	4,5/5,0
Dimensão (Altura)	<mm> 230 (30)			
Dimensão (Largura)	<mm> 854 (1000)			
Dimensão (Comprimento)	<mm> 395 (470)			
Peso Líquido	<kg> 14 (3,0)			
Valor do Fluxo de Ar da Ventoinha (Baixo-Medium 2-Medium 1-Alto)	<m <sup>3</sup> /min> 6,5-7,2-8,0-8,6	7,3-8,0-8,6-9,3		7,7-8,7-9,7-10,7
Nível de Ruído (Baixo-Medium 2-Medium 1-Alto)	<dB> 27-30-33-36	32-34-36-37		33-35-37-39

#### Nota

\* Temperatura de funcionamento da unidade interior.

Modo arrefecimento: 15°C WB - 24°C WB

Modo aquecimento: 15°C DB - 27°C DB

\*1 A capacidade de Arrefecimento/Aquecimento indica o valor máximo durante o funcionamento sob a seguinte condição.

Arrefecimento: Interior 27 °C DB/19 °C WB, Exterior 35 °C DB

Aquecimento: Interior 20 °C DB, Exterior 7 °C DB/6 °C WB

\*2 Esta figura em ( ) indica painéis.

### ■ Série PFFY-P-VKM-E

Modelo	P20	P25	P32	P40
Fonte de Alimentação (Voltagem <V> / Frequência )	<Hz> ~/N 220-230-240/50			
Capacidade (Arrefecimento/Aquecimento)	<kW> 2,2/2,5	2,8/3,2	3,6/4,0	4,5/5,0
Dimensão (Altura)	<mm> 600			
Dimensão (Largura)	<mm> 700			
Dimensão (Comprimento)	<mm> 200			
Peso Líquido	<kg> 14			
Valor do Fluxo de Ar da Ventoinha (Baixo-Medium 2-Medium 1-Alto)	<m <sup>3</sup> /min> 5,9-6,8-7,6-8,7	6,1-7,0-8,0-9,1		8,0-9,0-9,5-10,7
Nível de Ruído (Baixo-Medium 2-Medium 1-Alto)	<dB> 27-31-34-37	28-32-35-38		35-38-42-44

#### Nota

\* Temperatura de funcionamento da unidade interior.

Modo arrefecimento: 15°C WB - 24°C WB

Modo aquecimento: 15°C DB - 27°C DB

\*1 A capacidade de Arrefecimento/Aquecimento indica o valor máximo durante o funcionamento sob a seguinte condição.

Arrefecimento: Interior 27 °C DB/19 °C WB, Exterior 35 °C DB

Aquecimento: Interior 20 °C DB, Exterior 7 °C DB/6 °C WB



The content of this notice is valid only in Turkey.

# Bu uyarının içeriği sadece Türkiye'de geçerlidir.

Ek  
Türkiye

Appendix  
Turkey

- Şirketimizdeki geliştirme faaliyetlerinden dolayı ürün özelliklerinin, haber verilmeksizin değiştirilme hakkı tarafımızda saklıdır.
- Anma değerleri için TS EN 814-3 / TS EN 255-4 de T1 iklim şartları ile tarif edilen koşullar esas alınmıştır.
- İç ve dış ortam sıcaklıklarının standartlarda esas alınan değerlerin dışına çıkması durumunda klimanızın ısıtma ve soğutma kapasitelerinin etkilenmesi doğaldır.
- Ürünün üzerinde bulunan işaretlemelerde veya ürünle birlikte verilen diğer basılı dokümanlarda beyan edilen değerler, ilgili standartlara göre laboratuvar ortamında elde edilen değerlerdir. Bu değerler, ürünün kullanım ve ortam şartlarına göre değişebilir.

Ürünün montajı için KlimaPlus A.Ş. yetkili servisine / bayisine başvurunuz



## İthalatçı Firma:

**KlimaPlus Enerji ve Klima Teknolojileri Pazarlama San. Ve Tic. A.Ş.**

FerhatPaşa Mah. G99 Sok. No:46 Kat: 1-2-4 Ataşehir/İSTANBUL  
Tel: + 90 216 66 100 66 Faks: + 90 216 661 44 47  
info@klimaplus.com.tr www.klimaplus.com.tr

Servis İstasyonları ve Yedek Parça Temini :

Cihazınızın bakım, onarım ve yedek parça ihtiyaçları için klimanızı satın aldığımız yetkili satıcıya veya yukarıda belirtilen merkez servisimize veya şubemize başvurunuz.

Ünitenin ihtiyaç duyacağı bakım ve onarım parçaları 10 yıl boyunca üretilecektir.

## Mitsubishi Electric Europe B.V.

Centro Direzionale Colleoni, Palazzo Sirio, ingresso n.1, Viale Colleoni,7  
20041 Agrate Brianza (Milano), Italia  
Telefon: +39-039-60531 Faks: + 39-039-6057694  
Email: info@IT.MEE.COM  
www.mitsubishielectric.it



## İçindekiler

1. Güvenlik Önlemleri .....	156	7. Diğer İşlevler.....	165
2. Parça adları .....	157	8. İşlev seçimi.....	166
3. Ekran Konfigürasyonu .....	160	9. Kablosuz Uzaktan Kumanda İçin Acil İşletim .....	170
4. Haftanın Günü ve Saati Ayarlama .....	160	10. Bakım ve temizleme .....	170
5. Çalışma .....	160	11. Arızanın bulunması ve giderilmesi .....	172
6. Zamanlayıcı .....	162	12. Spesifikasyonları .....	174

### Not:

Bu kullanım kılavuzundaki "Kabloluzaktan kumanda" terimi PAR-21MAA anlamına gelmektedir. Diğer uzaktan kumanda ile ilgili bilgi için lütfen bu kutu içindeki kullanım kılavuzuna başvurun.

## 1. Güvenlik Önlemleri

- ▶ Üniteyi monte etmeden önce "Güvenlik Önlemleri"nin hepsini okumalısınız.
- ▶ Güvenlikle ilgili çok önemli noktalar "Güvenlik Önlemleri"nde açıklanmıştır. Lütfen bunlara kesinlikle uyunuz.
- ▶ Lütfen sisteme bağlamadan önce elektrik kurumuna haber verin veya onayını alın.

### Metinde kullanılan simgeler

#### ⚠ Uyarı:

Kullanıcı açısından yaralanma veya ölüm tehlikesinin önüne geçmek için alınması gereken önlemleri açıklar.

#### ⚠ Dikkat:

Cihazın hasar görmesini önlemek için alınması gereken önlemleri açıklar.

### Resimlerde kullanılan simgeler

⬇ :Topraklanması gereken parçaları gösterir.

#### ⚠ Uyarı:

- Bu cihazlara halk tarafından erişilemez.
- Bu cihaz kullanıcı tarafından monte edilmelidir. Satıcıdan veya başka bir yetkili şirketten cihazı monte etmesini isteyiniz. Eğer cihaz doğru monte edilmezse su kaçağı, elektrik çarpması veya yangın söz konusu olabilir.
- Ünitenin üzerine hiçbir şey yerleştirmeyiniz veya koymayınız.
- Cihazın üzerine su sıçratmayınız ve elleriniz ıslakken üniteye dokunmayınız. Elektrik çarpabilir.
- Cihazın yakınında yanıcı gaz püskürtmeyiniz. Bu, yangına yol açabilir.
- Cihazdan çıkan havayla temasa gelebilecekleri yerlere gaz sobası veya başka açık alevli cihaz koymayınız. Bu, yanmanın tam olarak gerçekleşmemesine yol açabilir.
- Dış ünite çalışırken ön paneli veya vantilatör mahfazasını yerlerinden çıkarmayınız.
- Üniteyi kesinlikle tek başınıza tamir etmeye ya da başka bir yere taşımaya çalışmayın.
- Aşırı derecede anormal gürültü veya titreşim saptarsanız, cihazı durdurunuz, elektrik şalterini kapatınız ve cihazı aldığınız şirketle temasa geçiniz.
- Cihazın giriş veya çıkışlarına asla parmaklarınızı veya değnek vb. şeyleri sokmayınız.
- Tuhaf bir koku duyarsanız cihazı kullanmayınız. Elektrik şalterini kapatıp yetkili satıcıya danışınız. Bunun yapılmaması, arızaya, elektrik çarpmasına veya yangına yol açabilir.

#### ⚠ Dikkat:

- Düğmelere basmak için sivri nesnelere kullanmayınız; bu, uzaktan kumanda ünitesini zedeleyebilir.
- Dış ve iç ünitelerin giriş ve çıkışlarının önünü asla kapatmayınız veya örtmeyiniz.
- Uzaktan kumandayı kesinlikle benzen, tiner gibi kimyasal maddeler ile silmeyiniz.
- Üniteyi odaya ya da pencereyi açık bırakarak uzun süre yüksek nemli bir ortamda çalıştırmayınız. Soğutma modunda ünitenin uzun süre yüksek nemli (% 80 Nispi Nem ve üzeri) bir odada çalıştırılması halinde klima içerisinde yoğunlaşan su damlayabilir ve mobilyaları vs. ıslatabilir ya da bunlara zarar verebilir.

- Bu klima çocuklar veya zihnen ehliyetsiz kimseler tarafından gözetimsiz KULLANILMAMALIDIR.
- Küçük çocuklar gözetim altında bulundurulurken klimayla oynamalarına imkân verilmemelidir.
- Eğer soğutucu gazı dışarı püskürür veya kaçak yaparsa klima cihazını durdurunuz; odayı iyice havalandırınız ve yetkili satıcınızla temasa geçiniz.
- Bu cihaz, güvenliklerinden sorumlu bir kişi tarafından cihazın kullanımıyla ilgili gözetim altında tutulmamaları veya talimat almamaları durumunda, fiziksel, duyuşsal veya zihinsel yetenekleri sınırlı olan ya da deneyim veya bilgi sahibi olmayan kişiler (çocuklar dahil) tarafından kullanıma uygun değildir.
- Klimanın montajını yaparken, yerini değiştirirken veya bakımını yaparken soğutucu hatlarını doldurmak için yalnızca belirtilen soğutucuyu (R410A) kullanınız. Bu soğutucuyu diğer soğutucularla karıştırmayınız ve hatlarda hava kalmamasını sağlayınız. Havanın soğutucuyla karışması, soğutucu hattında anormal bir basınç oluşmasına neden olabilir ve bu da patlamaya veya diğer tehlikelerin ortaya çıkmasına neden olabilir. Sistem için belirtilenden farklı bir soğutucunun kullanılması mekanik arızaya, sistemin bozulmasına veya ünitenin arızalanmasına neden olabilir. Bu durum, en kötü ihtimalde ürün güvenliğinin sağlanması açısından bir engel ortaya çıkarabilir.

- Çalıştırma esnasında üst hava çıkışı vanasına ya da alt hava çıkışı damperine dokunmayınız. Aksi takdirde yoğunlaşma meydana gelebilir ve ünitenin çalışması durabilir.

### Cihazın atılması

Cihazı atmanız gerektiği zaman yetkili satıcınıza danışınız.

## 2. Parça adları

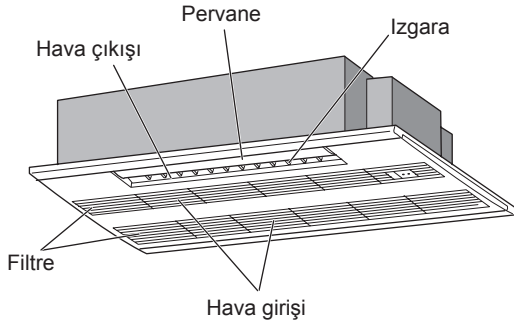
### ■ İç Ünite

		PKFY-P-VBM-E	PKFY-P-VHM-E	PCFY-P-VKM-E	PMFY-P-VBM-E	PFFY-P-VKM-E(2)
Fan hızı		4 hızlı	3 hızlı + Oto*	4 hızlı + Oto*	4 hızlı	4 hızlı
Pervane	Adımlar	4 basamak	5 basamak	5 basamak	4 basamak	4 basamak
	Otomatik salınım	×	○	○	○	○
Izgara		Elle	Elle	Elle	Elle	Elle
Filtre		Normal	Normal	Uzun ömür	Normal	Normal
Filtre temizleme göstergesi		100 Saat	100 Saat	2,500 Saat	100 Saat	100 Saat

\* Bu işlem, sadece "Oto" Fan hızı ayarını ayarlayabilen uzaktan kumanda kullanılarak yapılabilir.

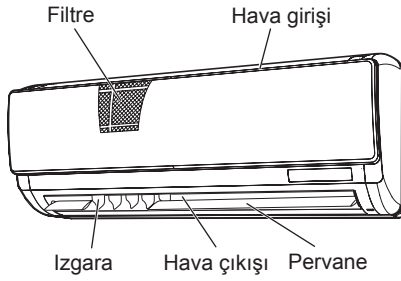
### ■ PMFY-P-VBM-E

1 yollu Kaset



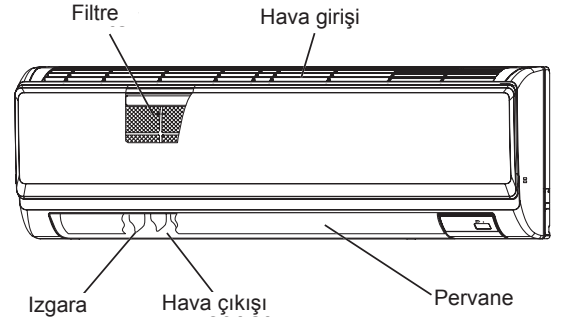
### ■ PKFY-P-VBM-E

Split



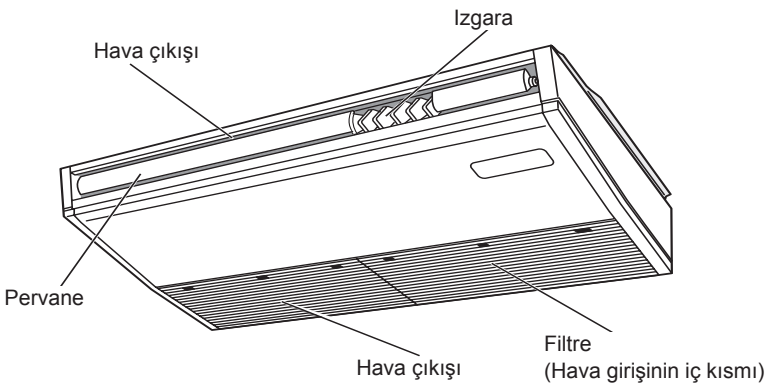
### ■ PKFY-P-VHM-E

Split



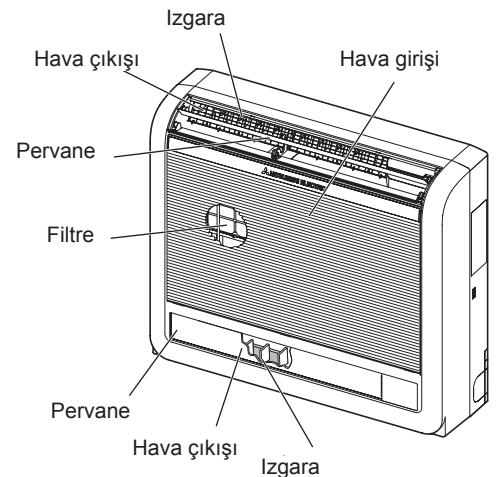
### ■ PCFY-P-VKM-E

Tavana Asılı



### ■ PFFY-P-VKM-E(2)

Zemin Ünitesi



## 2. Parça adları

### ■ kablolu uzaktan kumanda için

#### Gösterge Bölümü

Bu açıklamanın kolay anlaşılması için ekranın tüm bileşenleri gösterilmiştir. Gerçek çalışma esnasında sadece ilgili bileşenler görüntülenecektir.

#### O anki işletimi belirtir

İşletim modunu, vb. gösterir.  
\* Çok dilde gösterge desteklenmektedir.

#### "Centrally Controlled" göstergesi

Uzaktan kumandanın çalışmasının ama kontrol tarafından devre dışı bırakıldığını gösterir.

#### "Timer Is Off" göstergesi

Zamanlayıcının devre dışı olduğunu gösterir.

#### Sıcaklık Ayarı

Hedef sıcaklığı gösterir.

#### Haftanın Günü

Haftanın hangi günündeyse, o günü gösterir.

#### Saat/Zamanlayıcı Göstergesi

Basit veya Otomatik Kapanma zamanlayıcısı ayarlanmamışsa, o anki saati gösterir. Basit veya Otomatik Kapanma zamanlayıcısı ayarlanmışsa, kalan süreyi gösterir.

#### "Sensor" göstergesi

Uzak sensörü kullanıldığında görünür.

#### "Locked" göstergesi

Uzaktan kumanda düğmelerinin kilitli olduğunu gösterir.

#### "Clean The Filter" göstergesi

Filtrenin temizlenme zamanının geldiğini gösterir.

#### Zamanlayıcı göstergeleri

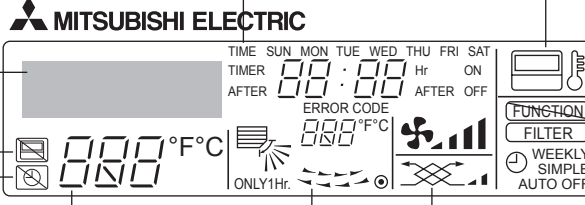
İlgili zamanlayıcı ayarlandığında gösterge görünür.

#### Fan Hız göstergesi

Seçilen fan hızını gösterir.

#### Havalandırma göstergesi

Cihaz Havalandırma modunda çalışırken görünür.



#### Yukarı/Aşağı Hava Yönü göstergesi

göstergesi hava akımı çıkış yönünü gösterir.

#### "One Hour Only" göstergesi

Hava akımı SERİN ya da KURU mod sırasında Düşük ve aşağı yönlü olarak ayarlanmışsa görüntülenir. (İşletim modele göre farklılık gösterir.)  
Gösterge bir saat sonra kapanır ve hava akım yönü de değişir.

#### Ortam Sıcaklığı göstergesi

Ortam sıcaklığını gösterir. Oda sıcaklığı gösterge aralığı: 8 - 39 °C 'dir. Sıcaklık 8 °C 'den az veya 39 °C 'den fazla ise gösterge yanıp sönecektir.

#### Izgara göstergesi

Salınım izgarasının hareketini gösterir. Izgara sabitse görünmez.

#### (Power On göstergesi)

Cihazın açık olduğunu gösterir.

#### Kumanda Bölümü

#### Sıcaklık Ayarlama düğmeleri

- ▽ Aşağı
- △ Yukarı

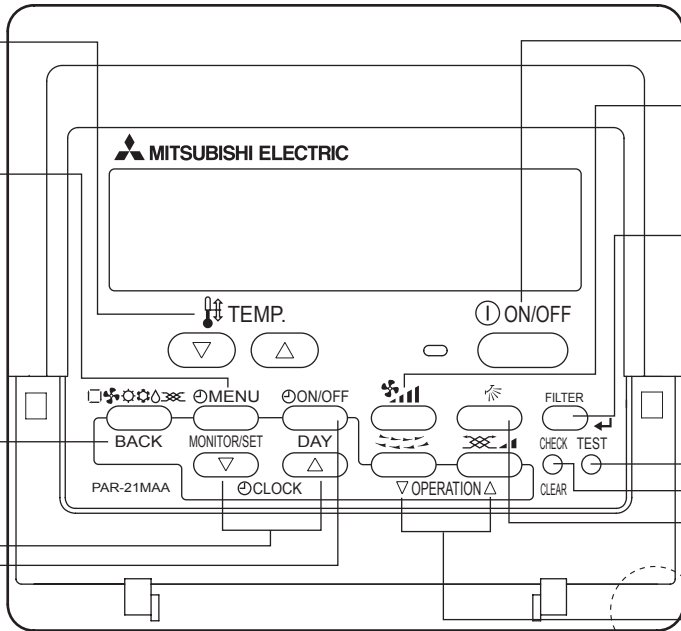
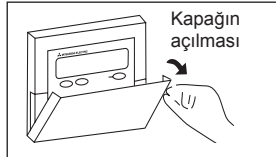
#### Zamanlayıcı Menü düğmesi (Monitör/Ayar düğmesi)

#### Mod düğmesi (Dönüş düğmesi)

#### Zaman Ayarlama düğmeleri

- ▽ Geri
- △ İleri

#### Zamanlayıcı Açma/ Kapanma düğmesi (Gün Ayarı düğmesi)



#### ON/OFF düğmesi

#### Fan Hızı düğmesi

#### Filtre düğmesi (← düğme)

#### Test Çalıştırma düğmesi

#### Kontrol düğmesi (Temizleme düğmesi)

#### Hava Akımı Yukarı/ Aşağı düğmesi

#### Izgara düğmesi (▽ İşletim düğmesi)

#### Önceki işletim numarasına.

#### Havalandırma düğmesi (△ İşletim düğmesi)

#### Sonraki işletim numarasına.

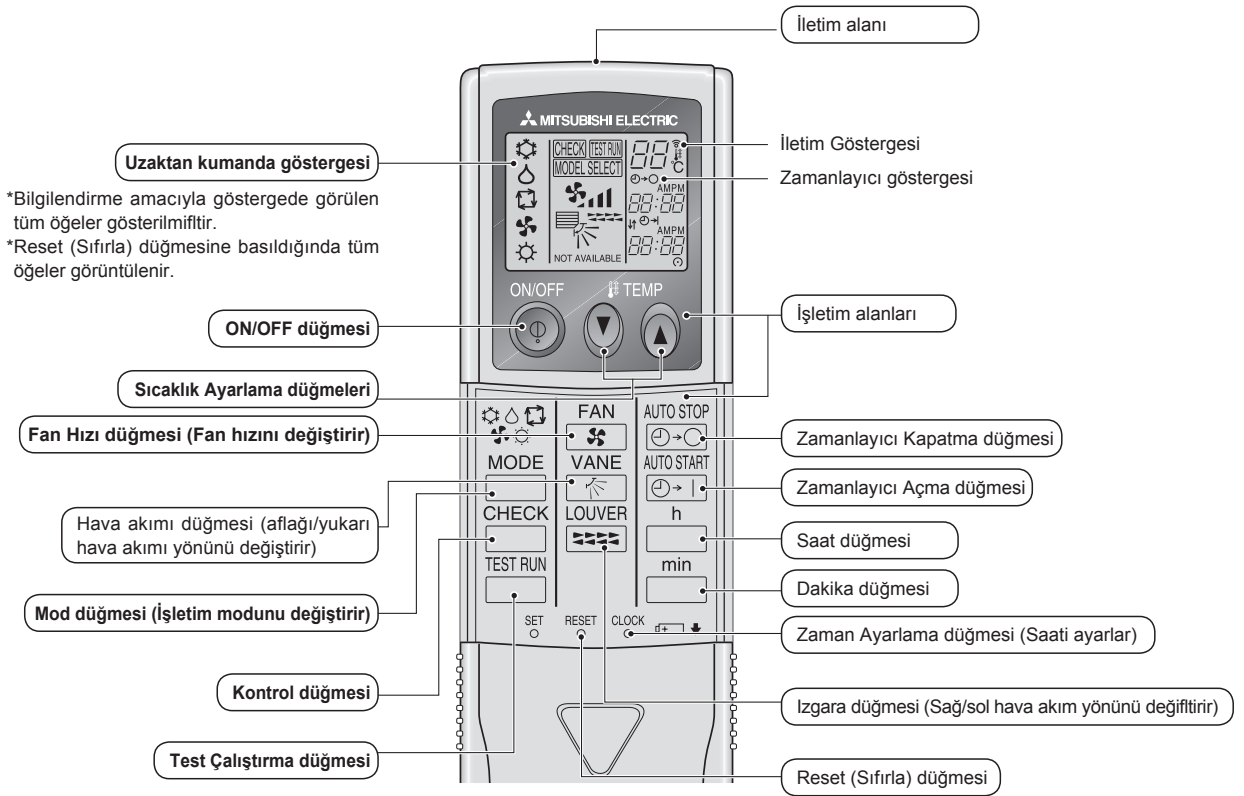
Bütünleşik sıcaklık sensörü

#### Not:

- "PLEASE WAIT" (LÜTFEN BEKLEYİN) mesajı  
Bu mesaj, iç mekan ünitesine güç verildiğinde veya ünite bir güç kesintisinden çıkıyorsa yaklaşık 3 dakika süre ile görüntülenir.
- Yanıp sönen çalışma modu ekranı  
Çoklu iç ünitelerin tek bir dış üniteye bağlanması ve bir iç ünite için başka bir iç ünitenin mevcut çalışma modundan farklı bir çalışma modunun seçilmesi durumunda çalışma modu ekranı yanıp sönmeye başlayacaktır. Diğer iç ünitenin çalışma modu ile aynı çalışma modunu seçin.
- "NOT AVAILABLE" (MEVCUT DEĞİL) mesajı  
Bu mesaj, iç ünite olmayan bir işleme ait bir düğmeye bastığınızda görüntülenir.  
Çoklu iç üniteleri çalıştırmak için aynı uzaktan kumandanın kullanılması durumunda, ana iç ünite seçilmiş fonksiyon ile donatılmamış ise bu mesaj görüntülenecektir.
- Oda sıcaklığı ekranı  
Oda sıcaklığını ölçmek için iç ünite sıcaklık sensörleri ya da uzaktan kumanda sıcaklık sensörü seçilebilir. İç ünite sıcaklık sensörleri başlangıç ayarıdır. Oda sıcaklığını ölçmek için iç ünite sıcaklık sensörlerinin seçilmesi durumunda, ana iç ünite ölçülen oda sıcaklığı, çoklu iç üniteleri çalıştıran uzaktan kumanda üzerinde görüntülenecektir.

## 2. Parça adları

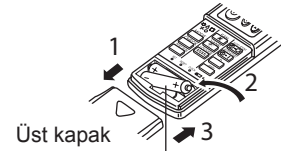
### ■ kablosuz uzaktan kumanda için



- Kablosuz uzaktan kumanda cihazını kullanırken kumandayı iç mekan ünitesindeki alıcıya doğru yöneltin.
- Uzaktan kumanda, iç mekan ünitesine güç verildikten yaklaşık iki dakika sonra çalıştırılırsa iç mekan ünitesi başlangıçtaki otomatik kontrolü yaptığı için iki defa sesli uyarı verebilir.
- İç mekan ünitesi uzaktan kumandadan yayılan sinyalin alındığını teyit etmek için sesli uyarı verir. Sinyaller, ünitenin 45° sağ ve solundaki alanda üniteye doğru direkt bir hattan yaklaşık 7 metre mesafeye kadar alınabilir. Ancak floresan ışıklar ve güçlü ışık gibi aydınlatma, iç mekan ünitesinin sinyal alma kabiliyetini etkileyebilir.
- İç ünite üzerindeki alıcı yakınındaki işletim lambasının yanıp sönmesi birimin kontrol edilmesi gerektiğini göstermektedir. Servis için dağıtıcınıza danışın.
- Uzaktan kumandayı dikkatli kullanın! Uzaktan kumandayı düşürmeyin ve güçlü darbelerle maruz bırakmayın. Bunun yanı sıra uzaktan kumandayı ıslatmayın ve yüksek nemlilikteki mekanlarda bırakmayın.
- Uzaktan kumandayı yanlış bir yere koymamak için uzaktan kumandayla beraber verilen tutacağı duvara monte edin ve kumandayı kullandıktan sonra tutacağı bıraktığınızdan emin olun.

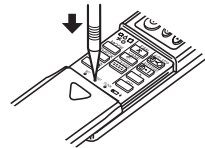
### Pil takma/değiştirme

1. Üst kapağı yerinden çıkartın, iki adet AAA boy pili yerleştirin ve üst kapağı kapatın.



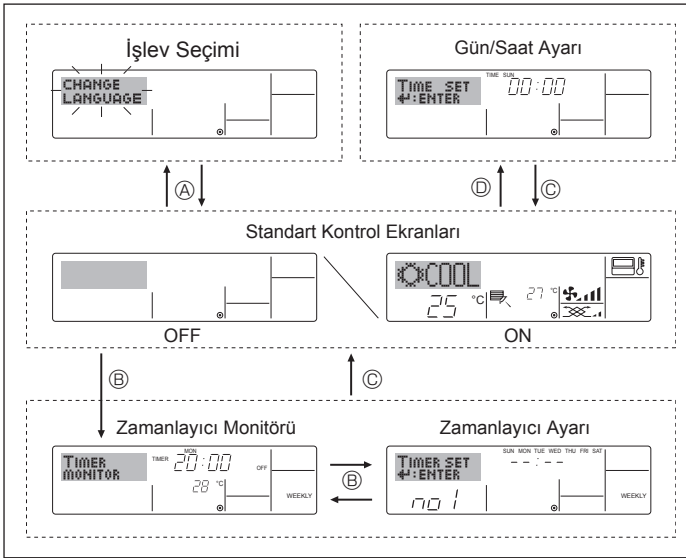
İki adet AAA boy pil  
Önce pillerin negatif (-) uçlarını yerleştirin.  
Pilleri doğru yönde (+, -) yerleştirin!

2. Reset (Sıfırla) düğmesine basın.



Reset (Sıfırla)  
düğmesine sivri uçlu bir nesne ile basın.

## 3. Ekran Konfigürasyonu



### <Ekran Türleri>

Ekran dili Türkçeye ayarlanmamaktadır. Bu sebeple, bu kitapçıkta ekranlarda ilk ayarlanan dil, İngilizce görünmektedir.

- İşlev Seçimi: Uzaktan kumandada yapılabilen işlevler ve aralıkları ayarlar (zamanlayıcı işlevleri, işletim sınırlamaları, vb.)
- Gün/Saat Ayarı: Haftanın hangi günündeyseniz, o günü veya o anki saati ayarlar.
- Standart Kontrol Ekranları: Klima sisteminin işletim durumunu gösterir ve ayarlar.
- Zamanlayıcı Monitörü: O anda ayarlı olan zamanlayıcıyı gösterir (haftalık zamanlayıcı, basit zamanlayıcı veya Otomatik Kapanma zamanlayıcısı)
- Zamanlayıcı Ayarı: Zamanlayıcılardan birinin çalışmasını ayarlar (haftalık zamanlayıcı, basit zamanlayıcı veya Otomatik Kapanma zamanlayıcısı).

### <Ekran> değiştirme>

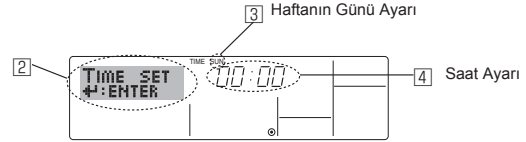
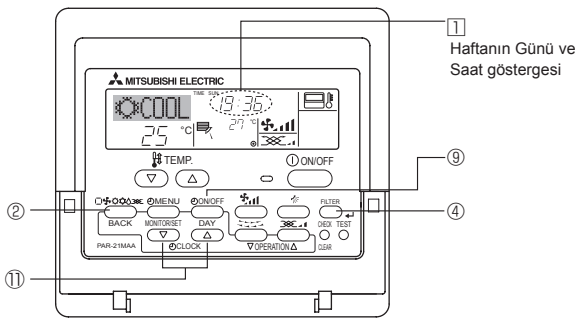
Buraya gitmek için Ⓐ : Mod düğmesini basılı tutarak Zamanlayıcı Açma/ Kapama düğmesine 2 saniye basın.

Buraya gitmek için Ⓑ : Zamanlayıcı Menü düğmesine basın.

Buraya gitmek için Ⓒ : Mod düğmesine (Dönüş düğmesi) basın.

Buraya gitmek için Ⓓ : Saat Ayarı düğmelerinden birine (▽ veya △) basın.

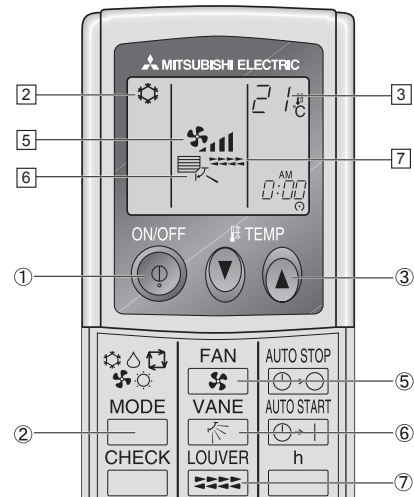
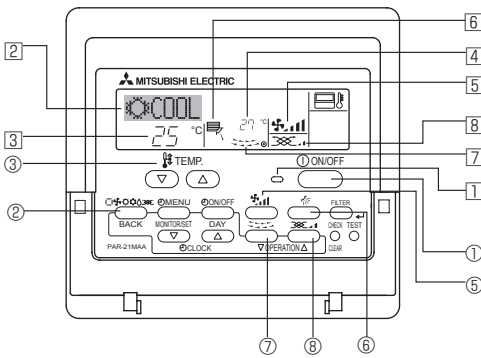
## 4. Haftanın Günü ve Saati Ayarlama



1. Göstergenin görünmesi için ▽ veya △ Saat Ayarı Ⓓ düğmesine basın 2.
2. Günü ayarlamak için, Zamanlayıcı Açık/Kapalı (Günü Ayarla) düğmesine Ⓓ basın.  
\* Her basılıştta gün gösterildiği gibi ilerler 3:  
Sun → Mon → ... → Fri → Sat.
3. Saati ayarlamak için gereken Saat Ayar düğmesine Ⓓ basın.  
\* Düğmeye basılı tuttuğunuzda süre (4) ilk olarak birer dakikalık aralıklarla, daha sonra onar dakikalık aralıklarla ve son olarak birer saatlik aralıklarla artacaktır.
4. 2. ve 3. adımlarda uygun ayarları yaptıktan sonra, değerleri kilitlemek için Filtre ↵ düğmesine 4 basın.

Not:  
İşlev Seçiminde saat devre dışı bırakılmışsa, gün ve saat görünmez.

## 5. Çalışma



### 5.1. Açma/kapama <Çalıştırmayı Başlatmak için>

■ ON/OFF düğmesine 1 basın.

- AÇIK lambası 1 ve gösterge alanı ışığı yanar.

Not:

■ Ünite yeniden başlatıldığında, başlangıç ayarları aşağıdaki gibi olur.

		Uzaktan Kumanda ayarları	
Mod		Son ayar	
Sıcaklık ayarı		Son ayar	
Fan hızı		Son ayar	
Hava akımı yukarı/aşağı	Mod	COOL veya DRY	Yatay çıkış *1
		HEAT	Son ayar *2
		FAN	Yatay çıkış *1

\*1 İç ünitenin tipine bağlı olarak son ayar uygulanabilir.

\*2 Son ayar salınım olarak yapılmışsa, hava akışı iç ünitenin tipine bağlı olarak Aşağı Doğru 4 olabilir.

### <Çalışmayı Durdurmak için>

■ ON/OFF düğmesine 1 tekrar basın.

- AÇIK lambası 1 ve gösterge alanı ışığı söner.

Not:

Çalışma sırasında cihazı kapattıktan hemen sonra ON/OFF (açma/kapama) düğmesine bassanız bile klima cihazı yaklaşık üç dakika süreyle çalışmaya başlamaz. Bunun amacı cihazın içaksamının hasar görmesini önlemektir.



## 5. Çalışma

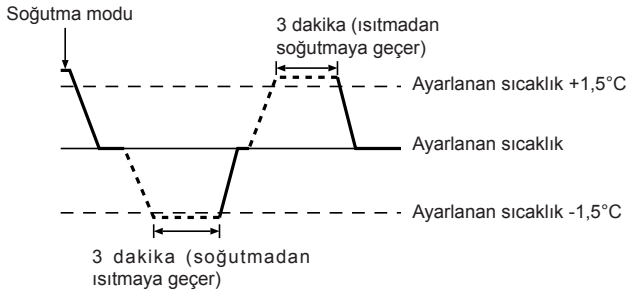
### 5.2. Mode select

■ Çalışma modu (□, ❄️, ☀️, 🌀) düğmesine ② basarak çalışma modunu seçin ②.

- ❄️ Soğutma modu
- ☀️ Kurutma modu
- 🌀 Fan modu
- ☀️ Isıtma modu
- Otomatik (soğutma/ısıtma) mod

#### Otomatik işletim

- Oda sıcaklığı ayarlanan bir ısıya göre çok yüksekse soğutma işlemi, çok düşükse ısıtma işlemi başlar.
- Otomatik işletim sırasında oda sıcaklığı ayarlanmış sıcaklığın 1,5 °C veya daha fazla üzerine çıkar ve 3 dakika boyunca böyle kalırsa klima soğutma moduna geçer. Benzer bir biçimde oda sıcaklığı 3 dakika boyunca ayarlanmış sıcaklığın 1,5 °C veya daha altında kalırsa klima ısıtma moduna geçer.



- Oda sıcaklığı sabit bir etkili sıcaklık sağlamak için otomatik olarak ayarlandığından arzulanan sıcaklığa erişildiğinde soğutma işlemi ayarlanan oda sıcaklığından birkaç derece daha soğuk ve ısıtma işlemi de birkaç derece daha sıcak olarak gerçekleştirilir (otomatik enerji tasarrufu işlemi).

### 5.3. Sıcaklığı ayarlamak

#### ► Oda sıcaklığını azaltmak için:

Gerekirse, istediğiniz sıcaklığı ayarlamak için ③ düğmesine ③ basınız. Seçilen sıcaklık görüntülenir ③.

#### ► Oda sıcaklığını yükseltmek için:

Gerekirse, istediğiniz sıcaklığı ayarlamak için ③ düğmesine ③ basınız. Seçilen sıcaklık görüntülenir ③.

- Ayarlanabilecek sıcaklık değerleri:  
Soğutma ve Kurutma: 19 - 30 °C  
Isıtma: 17 - 28 °C  
Otomatik: 19 - 28 °C

- Ekran, kullanıcıya oda sıcaklığının görüntülenen sıcaklıktan düşük ya da yüksek olduğunu göstermek için 8 °C'de ya da 39 °C'de yanıp sönmeye başlayacaktır.

### 5.4. Fan hızını ayarlamak

■ Sistem çalışırken, Fan Hızı düğmesine ⑤ gereken sayıda basınız.

- Düğmeye her basıldığında güç değişir. O anda seçilen hız ⑤ üzerinde gösterilir.
- Değişme sırası ve kullanılabilir ayarlar şöyledir.

Fan hızını	Gösterge
4 hızlı + Oto*	Hız 1 → Hız 2 → Hız 3 → Hız 4 → Oto
3 hızlı + Oto*	Hız 1 → Hız 2 → Hız 3 → Oto
4 hızlı model	Hız 1 → Hız 2 → Hız 3 → Hız 4

\* Sadece MA uzaktan kumanda içindir. Kablosuz uzaktan kumanda için otomatik fan hızı ayarı gereklidir.

Not:

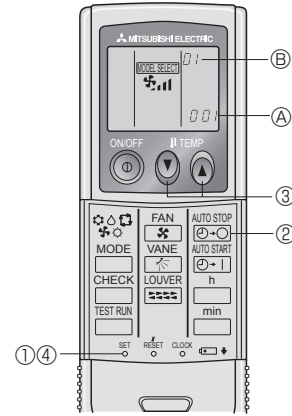
- Uygulanabilir fan hızı bağlanmış olan üniteye bağlıdır. Bazı ünitelerde "Otomatik" ayarı bulunmadığını da unutmayınız.
- Aflağıdaki durumlarda, ünitenin gerçek fan hızı uzaktan kumanda göstergesinde görünen hızdan farklı olur.
  1. Göstergede "STAND BY" veya "DEFROST" mesajı varsa.
  2. Isı değiştiricinin sıcaklığı ısıtma modundayken düflük bir seviyedeyseniz. (Örneğin ısıtma işleminin başlamasının hemen ardından)
  3. ISI modunda, oda ortam sıcaklığı sıcaklık ayarından yüksek olduğunda.
  4. Cihaz KURUTMA modundayken.

#### ■ Otomatik fan hızı ayarı (Kablosuz uzaktan kumanda için)

Kablosuz uzaktan kumandayı, yalnızca otomatik fan hızı varsayılan ayara getirilmemişse ayarlamak gerekir.

Otomatik fan hızı ayarı varsayılan ayara getirilmişse, kablolu uzaktan kumandanın ayarlanması gerekmez.

- ① Sivri uçlu herhangi bir şeyle SET düğmesine basın. Uzaktan kumanda ekranı kapalı olduğu zaman çalıştırın. MODEL SELECT yanıp söner ve Model No yanar ①.
  - ② AUTO STOP (OTOMATİK DURDURMA) ② düğmesine basın. ❄️ yanıp söner ve ayar No yanar ②. (Ayar No.01: otomatik fan hızı olmadan)
  - ③ Ayar No.02'yi ayarlamak için sıcaklık ③ düğmelerine basın. (Ayar No.02: otomatik fan hızı varken)
- Çalıştırmayı yanlış yapacak olursanız, ON/OFF (AÇMA/KAPAMA) ④ düğmesine basıp, yeniden prosedür ②'den başlayarak çalıştırın.
- ④ Sivri uçlu herhangi bir şeyle SET düğmesine basın. MODEL SELECT ve Model No. 3 saniye yanar, sonra kapanır.



### 5.5. Hava akım yönünün ayarlanması

#### <Hava Akımı Yukarı/Aşağı Yönünü Değiştirmek için>

- Cihaz çalışırken, Hava Akımı Yukarı/Aşağı düğmesine ⑥ gereken sayıda basınız.
  - Düğmeye her basıldığında yön değişir. O andaki yön ⑥ üzerinde gösterilir.
  - Değişme sırası ve kullanılabilir ayarlar şöyledir.

Hava akımı	Gösterge
5 basamaklı model*1	Salınım Oto 1 2 3 4 5
4 basamaklı model (PMFY)	Salınım (Yatay) 1 2 3 4
4 basamaklı model (PKFY-BM)	1 2 3 4 (Yatay)

\* Salınım işletimi sırasında, ekrandaki yön göstergesi cihazın yön kanatları ile eşzamanlı olarak değişmez.

\* Bazı modeller yön ayarını desteklemez.

\*1 Yalnızca MA uzaktan kumandası içindir; diğer uzaktan kumanda ekranı 4 adımlı modeldeki gibidir.

\*2 Hava akım yönünün ayarlanması <Oto> COOL/FAN/DRY : ayarlanması 1 (Yatay), HEAT : ayarlanması 5 (Aflağı doğru 5)

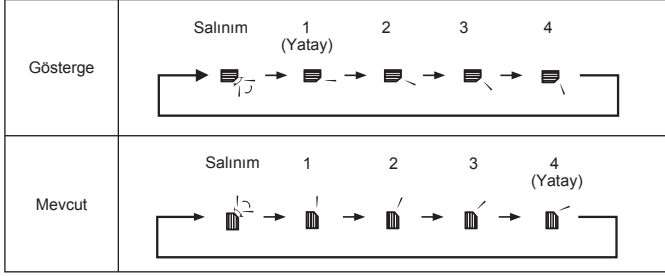
## 5. Çalışma

### Not:

- Uygulanabilir yönler bağlanmış olan üniteye bağlıdır. Bazı ünitelerde "Otomatik" ayarı bulunmadığını da unutmayınız.
- Aşağıdaki durumlarda, ünitenin gerçek hava yönü uzaktan kumanda göstergesinde görünen farklı olur.
  1. Göstergede "STAND BY" veya "DEFROST" mesajı varsa.
  2. Isıtıcı modu başlatıldıktan hemen sonra (sistem mod değişikliğinin uygulanmasını beklerken).
  3. Isıtıcı modunda, oda ortam sıcaklığı sıcaklık ayarından yüksek olduğunda.

### (PFFY-P-VKM serisi için)

- PFFY-P-VKM serisinde, uzaktan kumanda üzerinde görüntülenen hava akış yönü mevcut hava akış yönünden farklıdır. Aşağıdaki tabloya bakın.



- Alt hava perdesinin hava akış yönü ayarlanamaz. Hava akış yönü bir bilgisayar tarafından otomatik olarak denetlenir.

## 6. Zamanlayıcı

### 6.1. kablolu uzaktan kumanda için

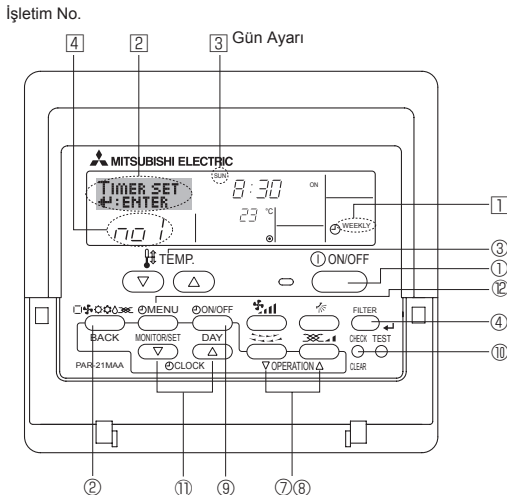
Üç tip zamanlayıcıdan hangisinin kullanılacağını seçmek için işlev Seçimini kullanabilirsiniz: ① Haftalık zamanlayıcı, ② Basit zamanlayıcı veya ③ Otomatik Kapanma zamanlayıcısı.

#### 6.1.1. Haftalık Zamanlayıcı

- Haftalık zamanlayıcı haftanın her günü için sekize kadar çalışma için ayarlanabilir.
  - Her çalıştırma şunlardan herhangi birini içerebilir: AÇMA/KAPAMA zamanı ile birlikte sıcaklık ayarı, sadece AÇMA/KAPAMA zamanı veya sadece sıcaklık ayarı.
  - Bu zamanlayıcıda ayarlanmış olan saatte, klima zamanlayıcı tarafından belirlenmiş olan işlemi yapar.
- Bu zamanlayıcı için zaman ayarı birimi 1 dakikadır.

### Not:

- \*1. Haftalık Zamanlayıcı/Basit Zamanlayıcı/Otomatik Kapanma aynı anda kullanılamaz.
- \*2. Şu koşullardan biri geçerli olduğunda haftalık zamanlayıcı çalışmaz. Zamanlayıcı özelliği kapalı; sistem olağandışı bir durumda; test çalışması sürmekte; uzaktan kumanda oto-kontrol veya tanı yapmaktaki kullanıcı bşr işlev ayarlaması yapmaktaki kullanıcı zamanlayıcı ayarını yapmaktaki kullanıcı haftanın günü ve saat ayarını yapmaktaki sistem merkezi kontrol altında. (Özellikle, sistem bu durumlarda devre dışı olan işlemleri (ünite açık, ünite kapalı veya sıcaklık ayarı) yapmaz.)



### <[E]le Hava Akışının Sol/Sağ Yönünde Değiştirilmesi>

- \* Panjur düğmesi ⑦ kullanılamaz.
  - Ünitenin çalışmasını durdurun, panjur kolunu tutun ve istenilen yöne ayarlayın.
- \* Suyun yoğunlaşma ve damlama riski olduğundan ünite soğutma ya da kurutma modundayken içeri doğru ayarlamayın.



### ⚠ Dikkat:

Yukarıdaki işlemi gerçekleştirirken, düşmeye karşı gerekli önlemleri aldığınızdan emin olun.

## 5.6. Havalandırma

### ► LOSSNAY kombinasyonu için

#### 5.6.1. kablolu uzaktan kumanda için

- Havalandırmayı iç ünite ile birlikte çalıştırmak için:
  - ON/OFF düğmesine basın ①.
    - Havalandırma göstergesi ekranda (E) görünür. Artık iç ünite her çalıştığında havalandırma otomatik olarak çalışır.
- Havalandırmayı sadece iç ünite kapalıyken çalıştırmak için:
  - İç ünite kapalıyken Havalandırma düğmesine ⑧ basın.
    - Havalandırma göstergesindeki (E) AÇIK lambası (I) yanar.
- Havalandırma gücünü değiştirmek için:
  - Havalandırma düğmesine ⑧ gereken sayıda basın.
    - Düğmeye her basıldığında ayar aşağıdaki biçimde değişir.



### Not:

- Bazı model konfigürasyonlarında, havalandırmayı bağımsız çalışacak şekilde ayarlasanız bile iç üniteye bağlı fan devreye girebilir.

### <Haftalık Zamanlayıcının Ayarlanması>

1. Standart kontrol ekranında olduğunuzdan ve ekranda haftalık zamanlayıcı göstergesinin (I) görüldüğünden emin olun.
2. Ekranda "Set Up" yazısı (E) görünene kadar Zamanlayıcı Menü düğmesine ② basın. (Düğmeye her basıldığında gösterge "Set Up" ve "Monitor" arasında geçiş yapar.)
3. Günü ayarlamak için, Zamanlayıcı Açık/Kapalı düğmesine ③ basın. Her basılışta gösterge (E) aşağıda gösterildiği sırada ilerler. "Sun Mon Tues Wed Thurs Fri Sat" → "Sun" → ... → "Fri" → "Sat" → "Sun Mon Tues Wed Thurs Fri Sat"...
4. Uygun işletim numarasını (1 – 8) (4) seçmek için ∇ veya Çalıştırma ∆ düğmesine (⑦ veya ⑧) gereken sayıda basın.
  - \* 3 ve 4 Adımlarda girdikleriniz aşağıda gösterilen matristeki hücrelerden birini seçer.
  - (Soldaki uzaktan kumanda göstergesi, aşağıda gösterilen değerlerle Pazar günü için İşletim 1 ayarını yaptığınızda ne görüneceğini göstermektedir.)

### Ayar Matrisi

İşlet. No.	Sunday	Monday	...	Saturday
No. 1	• 8:30 • ON • 23 °C			
No. 2	• 10:00 • OFF	• 10:00 • OFF	• 10:00 • OFF	• 10:00 • OFF
...				
No. 8				

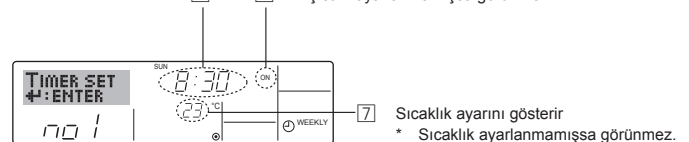
<Pazar günü için İşletim 1 ayarları>  
Klimayı saat 8:30'da başlat, sıcaklık ayarı 23 °C.

<Her gün için İşletim 2 ayarları>  
Klimayı saat 10:00'da kapat.

### Not:

- Günü "Sun Mon Tues Wed Thurs Fri Sat" şeklinde ayarlayarak, her gün aynı saatte aynı işlemin yapılmasını sağlayabilirsiniz. (Örnek: Haftanın tüm günlerini iptal etmek için aynı şekilde yukarıdaki İşletim 2.)

Zaman ayarını gösterir (5) Seçilen işletimi gösterir (KAPALI veya AÇIK) \* İşletim ayarlanmamışsa görünmez.



## 6. Zamanlayıcı

### <Haftalık Zamanlayıcının Açılması>

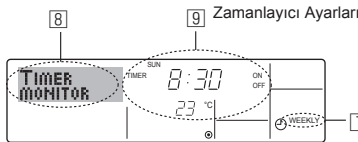
- İstediğiniz zamanı (5) seçmek için Saat Ayarı düğmesine (1) gereken sayıda basın.  
\* Düğmeyi basılı tuttukça, saat önce dakika, sonra on dakika, sonra da bir saatlik aralıklarla artar.
- İstediğiniz işletimi (6) seçmek için ON/OFF düğmesine (1) basın.  
\* Her basılıştta ayar aşağıda gösterildiği sırada ilerler: gösterge yok (ayar yok) → "ON" → "OFF"
- İstediğiniz sıcaklığı (7) ayarlamak için uygun Sıcaklık Ayarı düğmesine (3) basın.  
\* Her basılıştta ayar aşağıda gösterildiği sırada ilerler: gösterge yok (ayar yok) → 24 ↔ 25 ↔ ... ↔ 29 ↔ 30 ↔ 12 ↔ ... ↔ 23 ↔ gösterge yok.  
(Kullanılabilir aralık: Sıcaklık ayar aralığı 12 °C - 30 °C'dir. Ancak, sıcaklığın gerçekte kontrol edilebildiği aralık bağlı olan ünite tipine göre değişir.)
- 5, 6 ve 7 adımlarda uygun ayarları yaptıktan sonra, değerleri kilitlemek için Filtre (4) düğmesine (4) basın.  
Seçilen işletim için o an ayarlanmış değerleri temizlemek için, Kontrol (Temizle) düğmesine (10) bir kez basıp hemen serbest bırakın.  
\* Ekranda görünen zaman ayarı "—" olarak değişir ve Açma/ Kapanma ve sıcaklık ayarı göstergeleri görünmez olur.  
(Tüm haftalık zamanlayıcı ayarlarını temizlemek için Temizle düğmesine (10) basıp iki saniye veya daha fazla basılı tutun. Ekran daha sonra yanıp sönmeye başlar; bu da tüm ayarların silindiğini gösterir.)

#### Not:

Filtre (4) düğmesine (4) basmadan önce Mod (Dönüş) düğmesine (2) basarsanız, yeni girdiğiniz değerler iptal edilir. İki veya daha fazla işlemi aynı anda çalıştırmayı seçtiyseniz, sadece işletim numarası en yüksek olan işlem yapılır.

- İstediğiniz şekilde gereken sayıda hücreyi doldurmak için 3 ila 8 adımları tekrarlayın.
- Ayar işlemi tamamlamak ve standart kontrol ekranına dönmek için Mod (Dönüş) düğmesine (2) basın.
- Zamanlayıcıyı etkinleştirmek için, "Timer Off" göstergesi ekrandan silinene kadar Zamanlayıcı Açık/Kapalı (9) düğmesine basın. **"Timer Off" göstergesinin artık görünmediğinden emin olun.**  
\* Herhangi bir zamanlayıcı ayarı yoksa ekranda "Timer Off" göstergesi yanıp sönmeye başlayacaktır.

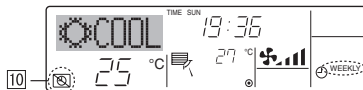
### <Haftalık Zamanlayıcı Ayalarının İzlenmesi>



- Haftalık zamanlayıcı göstergesinin (11) ekranda görüldüğünden emin olun.
- Ekranda "Monitor" yazısı (8) görünene kadar Zamanlayıcı Menü düğmesine (2) basın.
- İzlemek istediğiniz günü seçmek için, Zamanlayıcı Açık/Kapalı (Günü Ayarla) düğmesine (9) basın.
- Ekranda gösterilen zamanlayıcı işletim göstergesini (9) değiştirmek için, ∇ veya Δ işletim düğmesine (7) veya (8) gereken sayıda basın.  
\* Her basılıştta zaman ayar sırasıyla, bir sonraki işleme geçer.
- Monitörü kapatmak ve standart kontrol ekranına dönmek için Mod (Dönüş) düğmesine (2) basın.

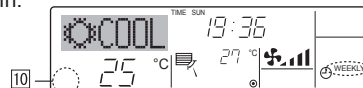
### <Haftalık Zamanlayıcının Kapatılması>

Ekranda "Timer Off" yazısı (10) görünene kadar Zamanlayıcı Açma/kapanma düğmesine (9) basın.



### <Haftalık Zamanlayıcının Açılması>

"Timer Off" yazısı (10) sönene kadar Zamanlayıcı Açma/kapanma düğmesine (9) basın.



### 6.1.2. Basit Zamanlayıcı

Basit zamanlayıcıyı üç şekilde ayarlayabilirsiniz.

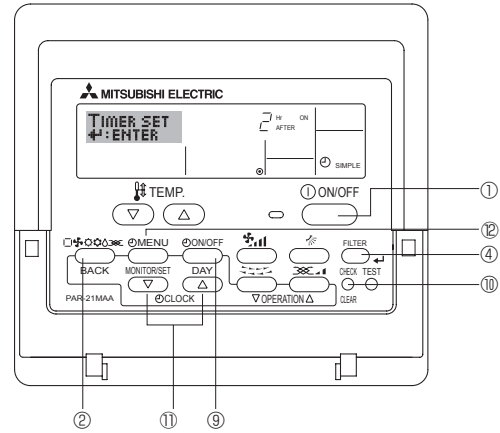
- Sadece başlangıç zamanı:  
Belirtilen zaman geçince klima çalışmaya başlar.
- Sadece durma zamanı:  
Belirtilen zaman geçince klima durur.
- Başlangıç ve durma zamanları:  
Belirtilen zaman geçince klima çalışmaya başlar ve sonra durur.

Basit zamanlayıcı (başlama ve durma) 72 saatlik süre içinde sadece bir kez ayarlanabilir.

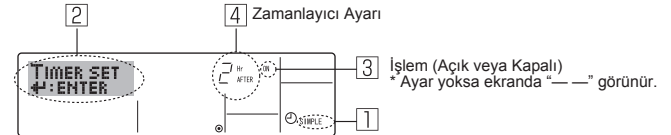
Zaman ayarı saatlik artışlarla yapılır.

#### Not:

- Haftalık Zamanlayıcı/Basit Zamanlayıcı/Otomatik Kapanma aynı anda kullanılamaz.
- Şu koşullardan biri geçerli olduğunda basit zamanlayıcı çalışmaz. Zamanlayıcı kapalı; sistem olağandışı bir durumda; test çalışması sürmekte; uzaktan kumanda oto-kontrol veya tanı yapmakta; kullanıcı bir işlem seçmekte; veya sistem merkezi kontrol altında ise. (Bu koşullarda Açma/ Kapanma işlemi devre dışıdır.)



### <Basit Zamanlayıcının Ayarlanması>



- Standart kontrol ekranında olduğunuzdan ve ekranda basit zamanlayıcı göstergesinin (1) görüldüğünden emin olun.  
Basit Zamanlayıcı dışında bir fley görünüyorsa, işlem seçimi zamanlayıcı işlem ayarını kullanarak onu SIMPLE TIMER ayarına getirin (bkz. 8.[4]-3 (3)).
- Ekranda "Set Up" yazısı (2) görünene kadar Zamanlayıcı Menü düğmesine (2) basın. (Düğmeye her basılığında gösterge "Set Up" ve "Monitor" arasında geçiş yapar.)
- O an geçerli basit zamanlayıcı AÇMA veya KAPAMA ayarını görüntülemek için ON/OFF düğmesine (1) basın. Açılma zamanına kalan süreyi göstermek için düğmeye bir kez ve Kapanma zamanına kalan süreyi göstermek için düğmeye bir kez daha basın. (AÇMA/KAPAMA göstergesi görünür (3)).  
\* Zamanlayıcı açık "ON":  
Belirtilen sayıda saat geçince klima çalışmaya başlar.  
\* Zamanlayıcı kapalı "OFF":  
Belirtilen sayıda saat geçince klima çalışmayı durdurur.
- (3) üzerinde "ON" veya "OFF" görünürken: (4) üzerinde açılma zamanına (ekranda "ON" görünüyorsa) veya Kapanma zamanına (ekranda "OFF" görünüyorsa) kalan süreyi ayarlamak için gereken Saat Ayar düğmesine (1) basın.  
\* Kullanılabilir aralık: 1 - 72 saat
- Hem AÇMA hem de KAPAMA zamanını ayarlamak için 3 ve 4 Adımları tekrarlayın.  
\* Zamanlayıcı ve de KAPAMA zamanı aynı değere ayarlanamaz.
- Geçerli KAPALI veya AÇIK ayarını silmek için: AÇMA veya KAPAMA ayarını görüntüleyin (bkz. adım 3) ve sonra zaman ayarı "—" olarak temizlenene kadar (4) Kontrol (Temizle) düğmesine (10) basın. (Sadece bir AÇMA veya KAPAMA ayarı kullanmak istiyorsanız, kullanmak istemediğiniz ayar "—" olarak görünmelidir.)

## 6. Zamanlayıcı

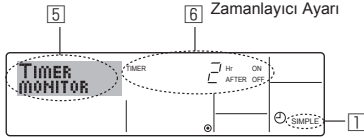
7. Yukarıda 3. ila 6. adımları tamamladıktan sonra, değeri kilitlemek için Filtre ↵ düğmesine ④ basın.

Not:

Filter ↵ düğmesine ④ basmadan önce Mod (Dönüş) düğmesine ② basarsanız, yeni ayarlarınız iptal edilir.

- Standart kontrol ekranına dönmek için Mod (Dönüş) düğmesine ② basın.
- Zamanlayıcı geri sayımını bafllatmak için, Zamanlayıcı Açma/Kapama düğmesine ⑨ basın. Zamanlayıcı çalışırken, zamanlayıcı değeri ekranda görünür. **Zamanlayıcı değerinin görüldüğünden ve doğru değer olduğundan emin olun.**

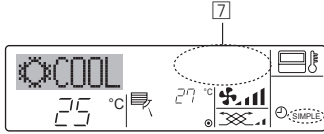
### <Geçerli Basit Zamanlayıcı Ayarlarının İzlenmesi>



- Basit zamanlayıcı göstergesinin (1) ekranda görüldüğünden emin olun.
- Ekranda "Monitor" yazısı (5) görünene kadar Zamanlayıcı Menü düğmesine ② basın.
  - AÇMA veya KAPAMA basit zamanlayıcısı çalışıyorsa, o anki zamanlayıcı değeri (6) üzerinde görünür.
  - AÇMA ve KAPAMA değerlerinin ikisi birden ayarlanmışsa, iki değer dönüşümlü olarak görünür.
- Monitör ekranını kapatmak ve standart kontrol ekranına dönmek için Mod (Dönüş) düğmesine ② basın.

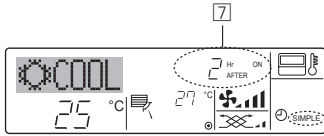
### <Basit Zamanlayıcının Kapatılması>

Ekranda (7) zamanlayıcı ayarı görünmez olana kadar Zamanlayıcı Açma/ Kapama düğmesine ⑨ basın.



### <Basit Zamanlayıcının Başlatılması>

Ekranda (7) zamanlayıcı ayarı görünür olana kadar Zamanlayıcı Açma/ Kapama düğmesine ⑨ basın.



### Örnekler

Basit zamanlayıcıda AÇMA ve KAPAMA değerlerinin ikisi birden ayarlanmışsa, iki değer şöyle görünür.

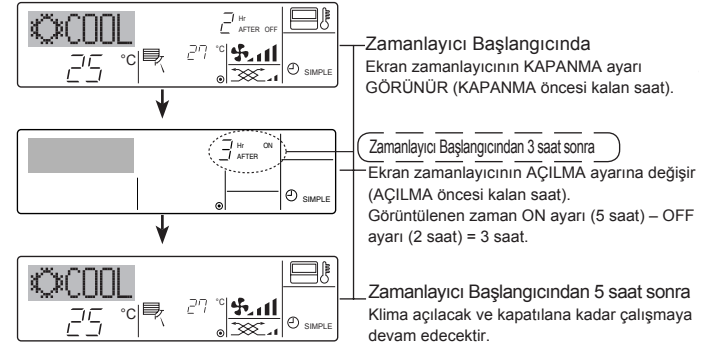
Örnek 1:

AÇIK süreyi KAPALI süreden daha erken bir zamana ayarlayarak zamanlayıcıyı çalıştırın.  
AÇMA Ayarı: 3 saat  
KAPAMA Ayarı: 7 saat



Örnek 2:

KAPALI süreyi AÇIK süreden daha erken bir zamana ayarlayarak zamanlayıcıyı çalıştırın.  
AÇMA Ayarı: 5 saat  
KAPAMA Ayarı: 2 saat



### 6.1.3. Otomatik Kapanma Zamanlayıcısı

■ Bu zamanlayıcı, klima çalışmaya başladığında geri sayıma başlar ve belirlenen süre geçince klimayı kapatır.

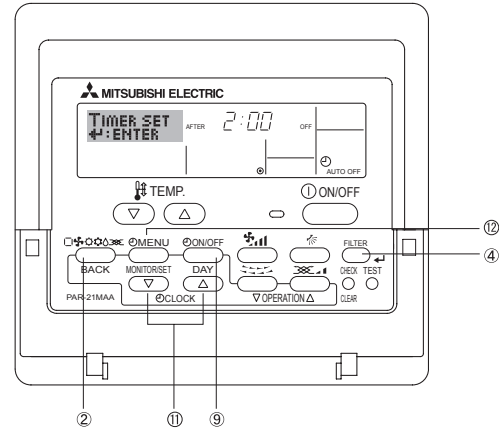
■ Kullanılabilir ayarlar, 30 dakika aralıklarla 30 dakika ile 4 saat arasındadır.

Not:

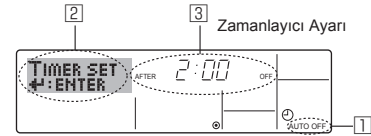
\*1. Haftalık Zamanlayıcı/Basit Zamanlayıcı/Otomatik Kapanma aynı anda kullanılamaz.

\*2. Şu koşullardan biri geçerli olduğunda Otomatik Kapanma zamanlayıcısı çalışmaz.

Zamanlayıcı kapalı; sistem olağandışı bir durumda; test çalışması sürmekte; uzaktan kumanda oto-kontrol veya tanı yapmakta; kullanıcı bir işlem seçmekte; veya sistem merkezi kontrol altında ise. (Bu koşullarda Açma/ Kapama işlemi devre dışıdır.)



### <Otomatik Kapanma Zamanlayıcısının Ayarlanması>



- Standart kontrol ekranında olduğunuzdan ve ekranda Otomatik Kapanma zamanlayıcısı göstergesinin 1 görüldüğünden emin olun. Otomatik Kapanma Zamanlayıcısı dışında bir şey görünüyorsa, işlem seçimi zamanlayıcı işlem ayarını kullanarak onu AUTO OFF TIMER ayarına getirin (bkz. 8.[4]-3 (3)).
- Ekranda "Set Up" yazısı (2) görünene kadar Zamanlayıcı Menü düğmesini ② basılı tutun. (Düğmeye her basıldığında gösterge "Set Up" ve "Monitor" arasında geçiş yapar.)
- KAPANMA zamanını (3) ayarlamak için, uygun Saat Ayarı düğmesine ① gereken sayıda basın.
- Ayarı kilitlemek için Filtre ↵ düğmesine ④ basın.

Not:

Filter ↵ düğmesine ④ basmadan önce Mod (Dönüş) düğmesine ② basarsanız, girdiğiniz değerler iptal edilir.

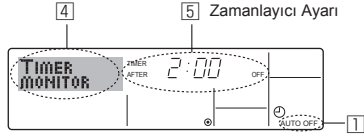
5. Ayar işlemini tamamlamak ve standart kontrol ekranına dönmek için Mod (Dönüş) düğmesine ② basın.

6. Klima zaten çalışmaktaysa, zamanlayıcı derhal geri sayıma başlar. **Ekranda zamanlayıcı ayarlarının doğru görüldüğünden emin olun.**



## 6. Zamanlayıcı

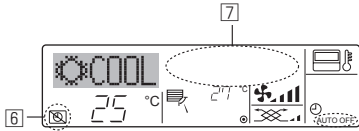
### <Geçerli Otomatik Kapanma Ayarının Kontrol Edilmesi>



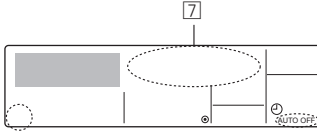
1. "Auto Off" göstergesinin (1) ekranda görüldüğünden emin olun.
2. Ekranda "Monitör" yazısı (4) görünene kadar Zamanlayıcı Menü düğmesini 3 saniye basılı tutun.
  - Kapanmaya kalan zamanlayıcı süresi (5) üzerinde görünür.
3. Monitörü kapatmak ve standart kontrol ekranına dönmek için Mod (Dönüş) düğmesine 2 basın.

### <Otomatik Kapanma Zamanlayıcısının Kapatılması>

- Ekranda "Timer Off" yazısı (6) görünene ve zamanlayıcı değeri (7) görünmez olana kadar Zamanlayıcı Açma/kapama düğmesini 3 saniye basılı tutun.

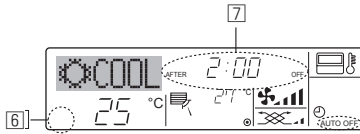


- Ya da klimayı kapatın. Zamanlayıcı değeri (7) ekrandan silinir.



### <Otomatik Kapanma Zamanlayıcısının Başlatılması>

- Zamanlayıcı Açma/Kapama düğmesini 3 saniye basılı tutun. "Timer Off" göstergesi görünmez olur (6) ve zamanlayıcı ayarı ekranda (7) görünür.
- Ya da klimayı açın. Zamanlayıcı değeri (7) ekranda görünür.



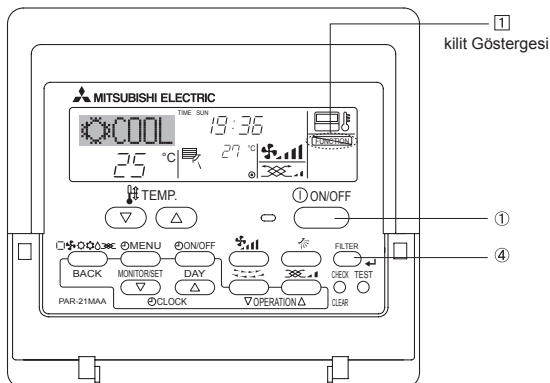
## 7. Diğer İşlevler

### 7.1. Uzaktan Kumanda Düğmelerini Kilitleme (Çalıştırma İşlev Limiti)

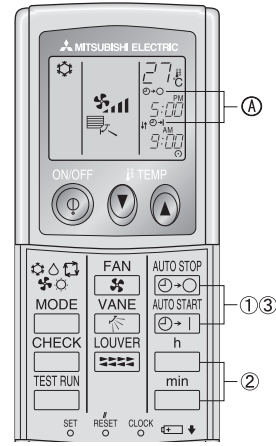
- İsterseniz, uzaktan kumanda düğmelerini kilitleyebilirsiniz. Kilitlenecek türleri seçmek için uzaktan kumandanın İşlev Seçimini kullanabilirsiniz. (Kilit tipi seçimi hakkında bilgi için, bkz. bölüm 8, madde [4]-2 (1). Özellikle, şu iki kilit tipinden birini kullanabilirsiniz.

- 1 Lock All Buttons:  
Uzaktan kumandanın tüm düğmelerini kilitler.
- 2 Lock All Except ON/OFF:  
ON/OFF düğmesi dışında tüm düğmeleri kilitler.

**Not:**  
Düğmelerin kilitlendiğini göstermek için ekranda "Locked" göstergesi görünür.



## 6.2. Kablosuz uzaktan kumanda için



- 1 AUTO STOP veya AUTO START düğmesine basın (TIMER SET).

- Aşağıdaki simge yanıp söner durumdayken zaman ayarı girilebilir.  
OFF (kapatma) zamanlayıcı: (A) (A) yanıp sönüyor.  
ON (açma) zamanlayıcı: (A) (A) yanıp sönüyor.

- 2 İstenen saati ayarlamak için h ve min düğmelerini kullanın.

- 3 Zamanlayıcının iptal edilmesi.  
OFF zamanlayıcısını iptal etmek için AUTO STOP düğmesine basın.

- ON zamanlayıcısını iptal etmek için AUTO START düğmesine basın.

- OFF ve ON zamanlayıcılarını birlikte kullanmak mümkündür.
- Zamanlayıcı modundayken üniteyi kapatmak için uzaktan kumandanın 1 ON/OFF (açma/kapatma) düğmesine basılınca ünite zamanlayıcıları iptal eder.
- Eğer saat ayarı yapılmadıysa, zamanlayıcı ile çalıştırma yapılamaz.

### <Düğmelerin Kilitlenmesi>

1. Filtre düğmesini 4 basılı tutarak, ON/OFF düğmesini 2 saniye basılı tutun. Ekranda "Locked" göstergesi görünür (1) ve kilitleme yapıldığını belirtir.

- \* Kilitleme İşlev Seçiminde devre dışı bırakılmışsa, yukarıda belirtilen düğmelere bastığınızda ekranda "Not Available" mesajı görünür.

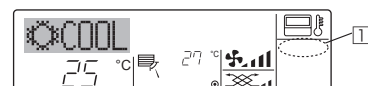


- Kilitlenmiş bir düğmeye bastığınızda ekranda "Locked" göstergesi (1) yanıp söner.



### <Düğmelerde Kilidin Kaldırılması>

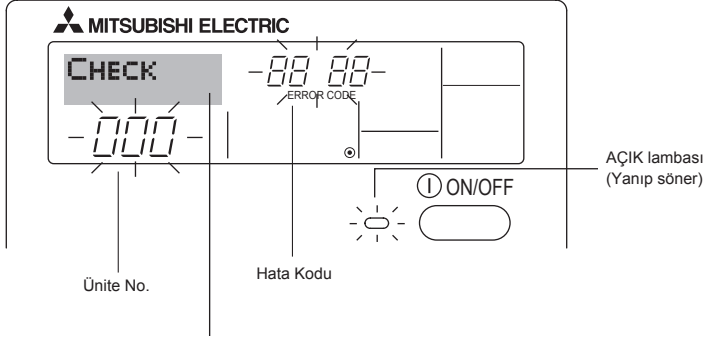
1. Filtre düğmesini 4 basılı tutarak, "Locked" yazısı (1) ekrandan silinene kadar ON/OFF düğmesini 2 saniye basılı tutun.





## 7. Diğer İşlevler

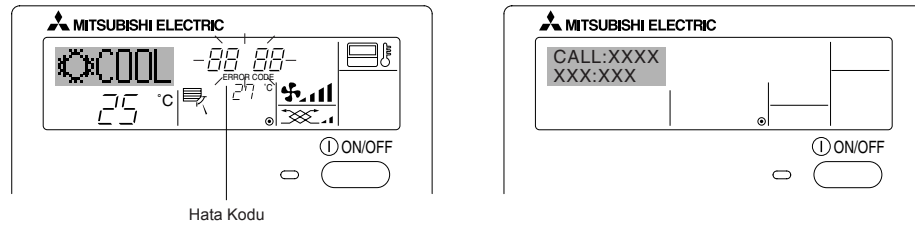
### 7.2. Hata Kodları göstergesi



Bir sorun olduğunda aranması için bir telefon numarası girdiyse, ekranda bu numara görünür. (Bunu İşlev Seçiminde ayarlayabilirsiniz. Daha fazla bilgi için 8. Bölüme bakınız.)

- AÇIK lambası ve hata kodu aynı anda yanıp sönüyorsa; Klimanın bozuk olduğunu ve işletimin durduğunu (ve devam edemeyeceğini) gösterir. Belirtilen ünite numarasını ve hata kodunu not edin, sonra, klimayı kapatıp bayinizi veya servisi arayın.

Kontrol düğmesine basıldığında:



- Sadece hata kodu yanıp sönüyorsa (AÇIK lambası yanarken): İşletim devam ediyor, ama sistemde bir sorun olabilir. Bu durumda, hata kodunu not edin, sonra bayinizi veya servisi arayın.

\* Bir sorun olduğunda aranması için bir telefon numarası girdiyse, ekranda bu numaranın görünmesi için Kontrol düğmesine basın. (Bunu İşlev Seçiminde ayarlayabilirsiniz. Daha fazla bilgi için 8. Bölüme bakınız.)

## 8. İşlev seçimi

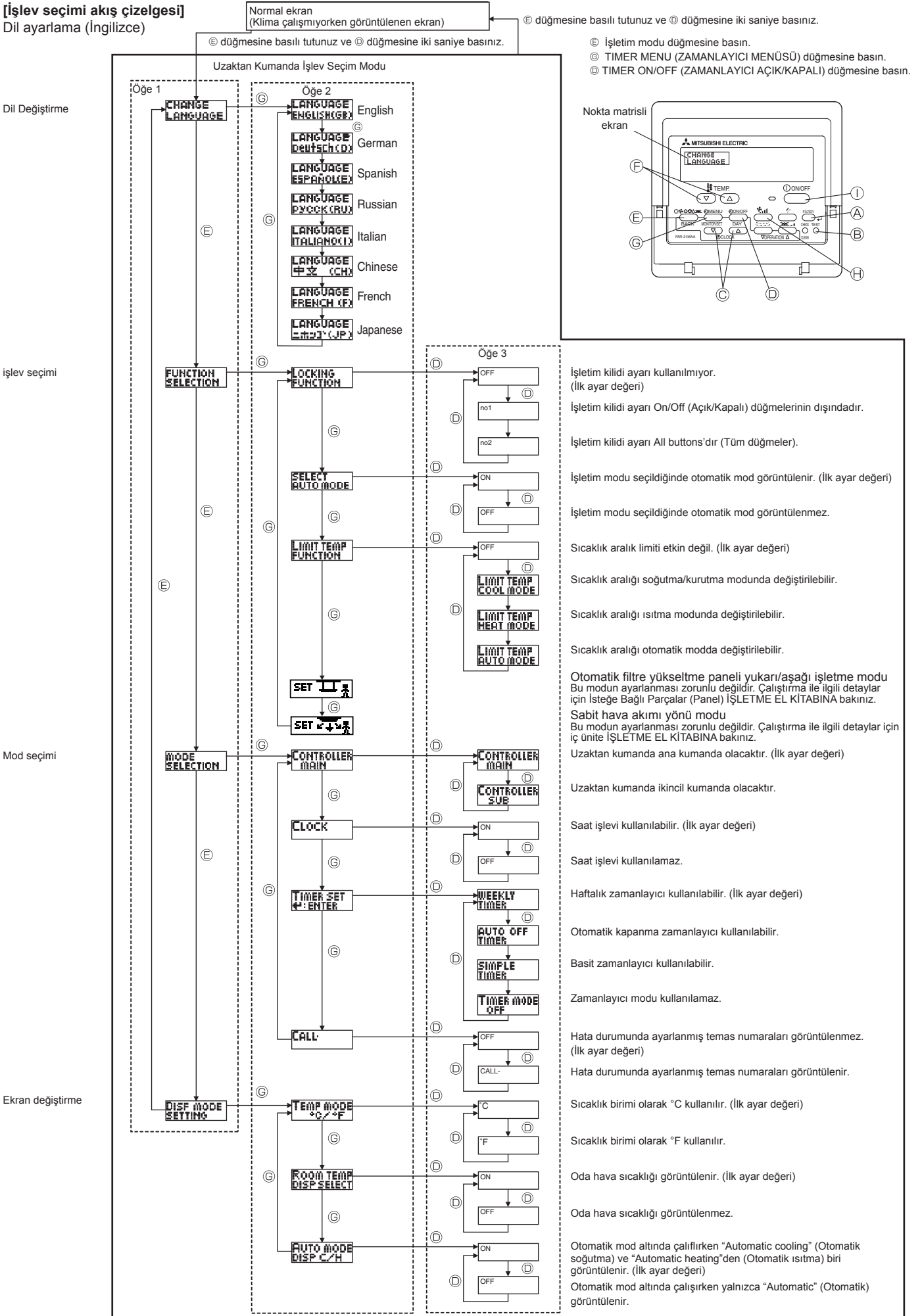
### Uzaktan kumanda işlev seçimi

Aşağıdaki uzaktan kumanda işlevlerinin ayarları, uzaktan kumanda işlev seçim modu kullanılarak değiştirilebilir. Ayarları, gerek duyduğunuzda değiştiriniz.

Öğe 1	Öğe 2	Öğe 3 (Ayar içeriği)
1. Dil Değiştirme ("CHANGE LANGUAGE")	Görüntülenecek dil ayarı	• Çoklu dilde görüntüleme mümkündür
2. İşlev sınırı ("FUNCTION SELECTION")	(1) İşletim işlevi sınırlandırma ayarı (işletim kilidi) ("LOCKING FUNCTION")	• İşletim sınırı aralığının ayarlanması (işletim kilidi)
	(2) Otomatik modu ayarının kullanımı ("SELECT AUTO MODE")	• "Automatic" (Otomatik) işletim modunun kullanılıp kullanılmayacağını ayarlanması
	(3) Sıcaklık aralığı sınırlandırma ayarı ("LIMIT TEMP FUNCTION")	• Ayarlanabilir sıcaklık aralığının (maksimum, minimum) ayarlanması
3. Mod seçimi ("MODE SELECTION")	(1) Uzaktan kumanda ana/ikincil ayarı ("CONTROLLER MAIN/SUB")	• Ana veya ikincil uzaktan kumandanın seçilmesi * Bir gruba iki uzaktan kumanda bağlandığında, bir uzaktan kumanda ikincil olarak ayarlanmalıdır.
	(2) Saat ayarının kullanımı ("CLOCK")	• Saat işlevinin kullanılıp kullanılmayacağını ayarlanması
	(3) Zamanlayıcı işlevi ayarı ("WEEKLY TIMER")	• Zamanlayıcı tipinin ayarlanması
	(4) Hata durumları için temas numarası ayarı ("CALL.")	• Bir hata durumunda görüntülenecek temas numarası ekranı • Telefon numarasının ayarlanması
4. Ekran değiştirme ("DISP MODE SETTING")	(1) Sıcaklık ekranı °C/°F ayarı ("TEMP MODE °C/°F")	• Görüntülenecek sıcaklık biriminin ayarlanması (°C veya °F)
	(2) Emilen hava sıcaklık ekranı ayarı ("ROOM TEMP DISP SELECTION")	• İç mekan (emilen) hava sıcaklığı ekranının kullanılıp kullanılmayacağını ayarlanması
	(3) Otomatik soğutma/ısıtma ekranı ayarı ("AUTO MODE DISP C/H")	• Otomatik modda işletim sırasında "Cooling" (Soğutma) veya "Heating" (Isıtma) ekranının kullanılıp kullanılmayacağını ayarlanması

## 8. İşlev seçimi

### [İşlev seçimi akış çizelgesi] Dil ayarlama (İngilizce)



## 8. İşlev seçimi

### [Ayrıntılı ayarlama]

#### [4]-1 CHANGE LANGUAGE (DİL DEĞİŞTİRME) ayarı

Nokta matrisli ekranda görüntülenecek dil seçilebilir.

- Dili değiştirmek için [⊖ MENU] düğmesine ⊕ basınız.
  - ① İngilizce (GB), ② Almanca (D), ③ İspanyolca (E), ④ Rusça (RU),
  - ⑤ İtalyanca (I), ⑥ Çince (CH), ⑦ Fransızca (F), ⑧ Japonca (JP)

Nokta matrisli görüntü tablosuna başvurun.

#### [4]-2 İşlev sınırı

##### (1) İşletim işlevi sınırlandırma ayarı (işletim kilidi)

- Ayarı değiştirmek için [⊖ ON/OFF] düğmesine ⊕ basınız.
  - ① no1: İşletim kilidi ayarı, [⊖ ON/OFF] düğmesi dışındaki tüm düğmelerde etkinleştirilir.
  - ② no2: İşletim kilidi ayarı tüm düğmelerde etkinleştirilir.
  - ③ OFF (İlk ayar değeri): İşletim kilidi ayarı etkinleştirilmez.
- \* İşletim kilidi ayarını normal ekranda da geçerli kılmak için, yukarıdaki ayarlar yapıldıktan sonra normal ekranda düğmelere basmak gereklidir ([FILTER] ve [⊖ ON/OFF] düğmelerine aynı anda 2 saniye basınız).

##### (2) Otomatik modu ayarının kullanımı

Uzaktan kumanda, otomatik işletim modu bulunan bir üniteye bağlandığında aşağıdaki ayarlar yapılabilir.

- Ayarı değiştirmek için [⊖ ON/OFF] düğmesine ⊕ basınız.
  - ① ON (İlk ayar değeri): İşletim modu seçildiğinde otomatik mod görüntülenir.
  - ② OFF: İşletim modu seçildiğinde otomatik mod görüntülenmez.

##### (3) Sıcaklık aralığı sınırlandırma ayarı

Ayarlama yapıldıktan sonra, sıcaklık, ayarlanan aralık dahilinde değiştirilebilir.

- Ayarı değiştirmek için [⊖ ON/OFF] düğmesine ⊕ basınız.
  - ① LIMIT TEMP COOL MODE: Sıcaklık aralığı, soğutma/kurutma modunda değiştirilebilir.
  - ② LIMIT TEMP HEAT MODE: Sıcaklık aralığı, ısıtma modunda değiştirilebilir.
  - ③ LIMIT TEMP AUTO MODE: Sıcaklık aralığı, otomatik modunda değiştirilebilir.
  - ④ OFF (İlk ayar): Sıcaklık aralık sınırı etkin değildir.
- \* OFF (KAPALI) dışında bir ayar seçildiğinde, soğutma, ısıtma ve otomatik modundaki sıcaklık aralık sınırı ayarı aynı anda yapılır. Ancak, ayarlanan sıcaklık aralığı değişmediğinde aralık sınırlandırılmaz.
- Sıcaklığı arttırmak veya azaltmak için [TEMP.(▽) veya (△)] düğmesine ⊕ basınız.
- Üst sınır ayarı ve alt sınır ayarına geçmek için [TEMP.(▽) veya (△)] düğmesine ⊕ basınız. Seçilen ayar yanıp sönecek ve sıcaklık ayarlanabilecektir.
- Ayarlanabilir aralık  
Soğutma/Kurutma modu:  
Alt sınır: 19°C ila 30°C      Üst sınır: 30°C ila 19°C  
Isıtma modu:  
Alt sınır: 17°C ila 28°C      Üst sınır: 28°C ila 17°C  
Otomatik modu:  
Alt sınır: 19°C ila 28°C      Üst sınır: 28°C ila 19°C

#### [4]-3 Mod seçim ayarı

##### (1) Uzaktan kumanda ana/ikincil ayarı

- Ayarı değiştirmek için [⊖ ON/OFF] düğmesine ⊕ basınız.
  - ① Main: Uzaktan kumanda, ana kumanda cihazı olacaktır.
  - ② Sub: Uzaktan kumanda, ikincil kumanda cihazı olacaktır.

##### (2) Saat ayarının kullanımı

- Ayarı değiştirmek için [⊖ ON/OFF] düğmesine ⊕ basınız.
  - ① ON: Saat işlevi kullanılabilir.
  - ② OFF: Saat işlevi kullanılamaz.

##### (3) Zamanlayıcı işlevi ayarı

- Ayarı değiştirmek için [⊖ ON/OFF] düğmesine ⊕ basınız. (Aşağıdakilerden birini seçiniz.).
  - ① WEEKLY TIMER (İlk ayar değeri): Haftalık zamanlayıcı kullanılabilir.
  - ② AUTO OFF TIMER: Otomatik zamanlayıcı kullanılabilir.
  - ③ SIMPLE TIMER: Basit zamanlayıcı kullanılabilir.
  - ④ TIMER MODE OFF: Zamanlayıcı modu kullanılamaz.
- \* Saat kullanımı ayarı OFF (KAPALI) ise, "WEEKLY TIMER" kullanılamaz.

##### (4) Hata durumları için temas numarası ayarı

- Ayarı değiştirmek için [⊖ ON/OFF] düğmesine ⊕ basınız.
  - ① CALL OFF: Hata durumunda ayarlanmış temas numaraları görüntülenmez.
  - ② CALL \*\*\*\* \* : Hata durumunda ayarlanmış temas numaraları görüntülenir. CALL : Ekrana yukarıda gösterildiği şekilde ise temas numarası ayarlanabilir.
- Temas numaralarının ayarlanması  
Temas numaralarını ayarlamak için aşağıdaki prosedürü izleyiniz. Numaraları ayarlamak için yanıp sönen imleci hareket ettirin. İmleci sağa (sola) kaydırmak için [TEMP.(▽) ve (△)] düğmesine ⊕ basınız. Numaraları ayarlamak için [CLOCK (▽) ve (△)] düğmesine ⊕ basınız.

#### [4]-4 Ekran değiştirme ayarı

##### (1) Sıcaklık ekranı °C/°F ayarı

- Ayarı değiştirmek için [⊖ ON/OFF] düğmesine ⊕ basınız.
  - ① °C: Sıcaklık birimi olarak °C kullanılır.
  - ② °F: Sıcaklık birimi olarak °F kullanılır.

##### (2) Oda sıcaklığı göstergesi ayarı

- Ayarı değiştirmek için [⊖ ON/OFF] düğmesine ⊕ basınız.
  - ① ON: Emilen hava sıcaklığı görüntülenir.
  - ② OFF: Emilen hava sıcaklığı görüntülenmez.

##### (3) Otomatik soğutma/ısıtma ekranı ayarı

- Ayarı değiştirmek için [⊖ ON/OFF] düğmesine ⊕ basınız.
  - ① ON: Otomatik modu devrede iken "Automatic cooling" (Otomatik soğutma) ve "Automatic heating" (Otomatik ısıtma) ibarelerinde biri görüntülenir.
  - ② OFF: Otomatik modunda yalnızca "Automatic" (Otomatik) ibaresi görüntülenir.

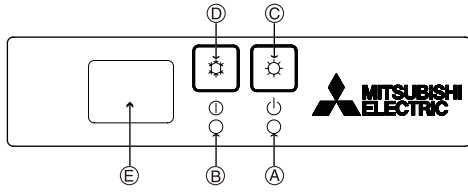
## 8. işlev seçimi

[Nokta matrisli görüntü tablosu]

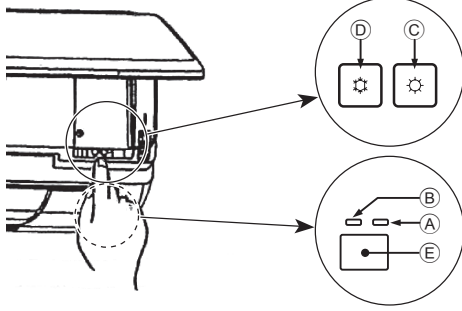
Dil ayarlarına	English	German	Spanish	Russian	Italian	Chinese	French	Japanese	
Başlamaya bekliyor	PLEASE WAIT	←	←	←	←	←	←	←	
İşletim modu	Soğutma	COOL	Kühlen	FRÍO	Холод	COOL	制冷	FROID	冷房
	Kurutma	DRY	Trocknen	DESHUMIDIFICACION	Сушка	DRY	除湿	DESHU	ドライ
	Isıtma	HEAT	Heizen	CALOR	Тепло	HEAT	制热	CHAUD	暖房
	Otomatik	AUTO	AUTO	AUTO-MÁTICO	АВТО	AUTO	自动	AUTO	自動
	Otomatik (Soğutma)	COOL	Kühlen	FRÍO	Холод	COOL	制冷	FROID	冷房
	Otomatik (Isıtma)	HEAT	Heizen	CALOR	Тепло	HEAT	制热	CHAUD	暖房
	Fan	FAN	Lüfter	VENTILACION	ВЕНТ	VENTILAZIONE	送风	VENTILATION	送風
	Havalandırma	VENTILATION	Gebäudebetrieb	VENTILACION	ВЕНТИЛЯЦИЯ	ARIA ESTERNA	换气	VENTILATION	換気
Hazir bekleme (Sıcak ayarlama)	STAND BY	STAND BY	CALENTANDO	ОБОГРЕВ: ПАУЗА	STAND BY	准备中	PRE CHAUFFAGE	準備中	
Buz giderme	DEFROST	Abtauen	DESCONGELACION	ОТТАИВАНИЕ	SBRINAMENTO	除霜中	DEGIVRAGE	霜取中	
Ayarlanan sıcaklık	SET TEMP	TEMP einstellen	TEMP. CONSIGNA	ЦЕЛЕВАЯ ТЕМПЕРАТУРА	IMPOSTAZIONE TEMPERATURA	设定温度	REGLAGE TEMPERATURE	設定温度	
Fan hızı	FAN SPEED	Lüftersgeschwindigkeit	VELOCIDAD VENTILADOR	СКОРОСТЬ ВЕНТИЛЯТОРА	VELOCITA' VENTILATORE	风速	VITESSE DE VENTILATION	風速	
Kullanmayın düğmesi	NOT AVAILABLE	nicht verfügbar	NO DISPONIBLE	НЕ ДОСТУПНО	NON DISPONIBILE	无效按钮	NON DISPONIBLE	無効ボタン	
Kontrol (Hata)	CHECK	Prüfen	COMPROBAR	ПРОВЕРКА	CHECK	检查	CONTROLE	点検	
Deneme çalışması	TEST RUN	Testbetrieb	TEST FUNCIONAMIENTO	ТЕСТОВЫЙ ЗАПУСК	TEST RUN	试运行	TEST	試運転	
Oto-kontrol	SELF CHECK	Selbst-diagnose	AUTO REVISIÓN	САМОДИАГНОСТИКА	SELF CHECK	自我诊断	AUTO CONTROLE	自己診断	
Ünite işlev seçimi	FUNCTION SELECTION	Funktion SAUSWAHL	SELECCIÓN DE FUNCIÓN	ВЫБОР ФУНКЦИИ	SELEZIONE FUNZIONI	功能选择	SELECTION FONCTIONS	メニュー選択	
Havalandırmanın ayarlanması	SETTING OF VENTILATION	Lüfterstufen Wahlen	CONFIG. VENTILACION	НАСТРОЙКА ВЕНТУСТАНА	IMPOSTAZIONE ARIA ESTERNA	换气设定	SELECTION VENTILATION	換気設定	

Dil ayarlama	English	German	Spanish	Russian	Italian	Chinese	French	Japanese
Dil Değiştirme	CHANGE LANGUAGE	←	←	←	←	←	←	←
İşlev seçimi	FUNCTION SELECTION	Funktion auswählen	SELECCIÓN DE FUNCIONES	ВЫБОР ФУНКЦИИ	SELEZIONE FUNZIONI	功能限制	SELECTION FONCTIONS	メニュー制限
İşletim işlevi sınırlandırma ayarı	LOCKING FUNCTION	Sperr - Funktion	FUNCIÓN BLOQUEADA	ФУНКЦИЯ БЛОКИРОВКИ	BLOCCO FUNZIONI	操作限制	BLOCCAGE FONCTIONS	操作ロック
Otomatik mod ayarının kullanılması	SELECT AUTO MODE	Auswahl AUTO Betrieb	SELECCIÓN MODO AUTO	ВЫБОР РЕЖИМА АВТО	SELEZIONE MODO AUTO	自动模式	SELECTION DU MODO AUTO	自動モード
Sıcaklık aralığı sınırlandırma ayarı	LIMIT TEMP FUNCTION	Limit Temp Funktion	LÍMIT TEMP CONSIGNA	ОГРАНИЧЕННЕ УЛТ.ТЕМПЕРАТ	LIMITAZIONE TEMPERATURA	温度限制	LIMITATION TEMPERATURE	温度制限
Sıcaklığı sınırlandırma soğutma/gün modu	LIMIT TEMP COOL MODE	Limit Kühl Temp	LÍMIT TEMP MODO FRÍO	ОГРАНИЧЕНО ОХЛАЖДЕНИЕ	LIMITAZIONE MODO COOL	制冷范围	LIMITE TEMP MODO FROID	制冷冷房
Sıcaklığı sınırlandırma ısıtma modu	LIMIT TEMP HEAT MODE	Limit Heiz Temp	LÍMIT TEMP MODO CALOR	ОГРАНИЧЕН ОБОГРЕВ	LIMITAZIONE MODO HEAT	制热范围	LIMITE TEMP MODO CHAUD	制热暖房
Sıcaklığı sınırlandırma otomatik mod	LIMIT TEMP AUTO MODE	Limit AUTO Temp	LÍMIT TEMP MODO AUTO	ОГРАНИЧЕН РЕЖИМ АВТО	LIMITAZIONE MODO AUTO	自动范围	LIMITE TEMP MODO AUTO	制冷自动
Mod seçimi	MODE SELECTION	Betriebsart Wahlen	SELECCIÓN DE MODO	ВЫБОР РЕЖИМА	SELEZIONE MODO	基本模式	SELECTION DU MODE	基本メニュー
Uzaktan kumanda ayarı MAIN (ANA)	CONTROLLER MAIN	Haupt controller	CONTROL PRINCIPAL	ОСНОВНОЙ ПУЛЬТ	CONTROLLO MAIN	遥控主	TELCOMMANDE MAITRE	リモコン 主機
Uzaktan kumanda ayarı SUB (İKİNCİL)	CONTROLLER SUB	Neben controller	CONTROL SECUNDARIO	ДОПОЛНИТЕЛЬНЫЙ ПУЛЬТ	CONTROLLO SUB	遥控辅	TELCOMMANDE ESCLAVE	リモコン 主副
Saat ayarının kullanımı	CLOCK	Uhr	RELOJ	Часы	OROLOGIO	时钟	AFFICHAGE HORLOGE	時計 3:00
Haftanın gününün ve saatinin ayarlanması	TIME SET 4:ENTER	Uhr stellen 4:einstellen	CONFIG RELOJ 4:CONFIG	Часы:УСТ. 4:ВВОД	OROLOGIO 4:ENTER	时间 4:ENTER	HORLOGE 4:ENTRER	トケイセッテイ 4:カクテイ
Zamanlayıcının ayarı	TIMER SET 4:ENTER	Zeitschaltuhr 4:einstellen	TEMPORIZA - DOR 4:CONFIG	ТАЙМЕР:УСТ. 4:ВВОД	TIMER 4:ENTER	定时器 4:ENTER	PROG HORAIRE 4:ENTRER	タイマーセッテイ 4:カクテイ
Zamanlayıcı ekranı	TIMER MONITOR	Uhrzeit Anzeige	VISUALIZAR TEMPORIZAD.	ПРОСМОТР ТАЙМЕРА	VISUALIZ TIMER	定时器状态	AFFICHAGE PROG HORAIRE	タイマーモニター
Haftalık Zamanlayıcı	WEEKLY TIMER	Wochenzeit Schait Uhr	TEMPORIZA - DOR 7SEMANAL	НЕДЕЛЬНЫЙ ТАЙМЕР	TIMER SETTIMANALE	每周定时器	PROG HEBDO MADRAIRE	タイマー 週間
Zamanlayıcı modu kapalı	TIMER MODE OFF	Zeitschaltuhr AUS	TEMPORIZA - DOR APAGADO	ТАЙМЕР ВЫКЛ.	TIMER OFF	定时器无效	PROG HORAIRE INACTIF	タイマー 無効
Otomatik kapanma zamanlayıcısı	AUTO OFF TIMER	AUTO Zeit funktion AUS	APAGADO AUTOMÁTICO	ОТКЛЮЧАЮЧ. ПО ТАЙМЕРУ	AUTO OFF TIMER	解除定时	PROG HORAIRE ARRET AUTO	タイマー-オフオッセル 自動
Basit zamanlayıcı	SIMPLE TIMER	Einfache Zeitfunktion	TEMPORIZA - DOR SIMPLE	ПРОСТОЙ ТАЙМЕР	TIMER SEMPLIFICATO	简易定时器	PROG HORAIRE SIMPLIFIE	タイマー 简易
Hata durumunun temas numarası ayarı	CALL	←	←	←	←	←	←	←
Görüntü değişimi	DISP MODE SETTING	Anzeige Betriebsart	MOstrar MODO	НАСТРОЙКА ИЛИ РЕЖИМА	IMPOSTAZIONE MODO DISPLAY	转换表示	AFFICHAGE SOUS MENU	表示切替
Sıcaklık görüntüsü °C/°F ayarı	TEMP MODE °C/°F	Wechsel °C/°F	TEMPERADOS °C/°F	ЕДИН.ТЕМПЕР. °C/°F	TEMPERATURA °C/°F	温度 °C/°F	TEMPERATURE °C/°F	温度 °C/°F
Otomatik soğutma/ısıtma görüntü ayarı	ROOM TEMP DISP SELECT	Raum Temp zeWahl	MOstrar TEMP	ПОКАЗЫВАТЬ ТЕМП.В КОМН.	TEMPERATURA AMBIENTE	吸入温度	TEMPERATURE AMBIANTE	スィコモード 室温
Oda hava sıcaklığı görüntü ayarı	AUTO MODE DISP C/H	Auto Betrieb C/H	MOstrar F/C EN AUTO	ИЛИ Т/°X В РЕЖИМЕ АВТО	AUTO C/H	自动表示	AFFICHAGE AUTO F/C	自動 室温

## 9. Kablosuz Uzaktan Kumanda İçin Acil İşletim



(PKFY-P-VHM-E için)



### Uzaktan kumanda kullanılmadığı zaman

Uzaktan kumandanın pilleri bittiğinde veya uzaktan kumanda işlev bozukluğu meydana geldiğinde ızgara üzerindeki acil durum düğmelerine basılarak acil durum işletimi yapılabilir.

- Ⓐ DEFROST/STAND BY (BUZ GİDERME/BEKLEME) lambası
- Ⓑ İşletim lambası
- Ⓒ Acil durum işletim düğmesi (ısıtma)
- Ⓓ Acil durum işletim düğmesi (soğutma)
- Ⓔ Alıcı

### Çalıştırmaya başlamak

- Soğutma modunu çalıştırmak için Ⓒ düğmesini 2 saniyeden daha uzun bir süre basılı tutun.
- Isıtma modunu çalıştırmak için Ⓓ düğmesini 2 saniyeden daha uzun bir süre basılı tutun.

### Not:

- Acil durum modunun detayları aşağıda görüldüğü gibidir.

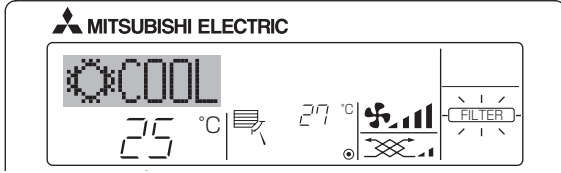
ACİL DURUM modunun detayları aşağıda görüldüğü gibidir.

Çalıştırma Modu	Soğutma	Isıtma
Sıcaklık ayarı	24°C	24°C
Fan hızı	Yüksek	Yüksek
Hava akiminin yönü	Yatay	Aflağı doğru 4 (5)

### Durdurma işlemi

- Çalışmayı durdurmak için Ⓒ veya Ⓓ düğmesini 2 saniyeden daha uzun bir süre basılı tutun.

## 10. Bakım ve temizleme



- Filtrenin temizlenmesi gerektiğini belirtir. Filtreyi temizleyiniz.

- "FILTER" (FİLTRE) göstergesini tekrar ayarlarken filtre temizlendikten sonra [FILTER] (FİLTRE) düğmesini art arda iki kere basılırsa gösterge söner ve tekrar ayarlanır.

### Not:

- İki veya daha fazla farklı iç mekan ünitesi kontrol edilirken temizleme süresi filtrenin türüne göre değişir. Ana ünitenin temizleme zamanı geldiğinde "FILTER" (FİLTRE) ibaresi yanar. Filtre göstergesi söndüğünde toplam zaman tekrar ayarlanır.
- "FILTER" (FİLTRE), klima genel iç mekan hava koşullarında kullanıldığında temizleme süresini zaman kriteriyle belirtir. Kirin miktarı çevre koşullarına bağlı olduğundan filtreyi uygun bir şekilde temizleyiniz.
- Filtre temizleme süresi toplam zamanı modele göre değişir.
- Bu gösterge kablosuz uzaktan kumanda mevcut değildir.

### ► Filtrelerin temizlenmesi

- Filtreleri elektrikli süpürgeyle temizleyin. Elektrikli süpürge yoksa, filtreleri sert bir cisme hafifçe vurarak toz ve kir birikintisinin düşmesini sağlayın.
- Eğer filtreler özellikle kirliyse ılık suda yıkayın. Deterjan kalıntılarını gidermek için iyice durulayın ve filtreleri tekrar üniteye takmadan önce tamamen kurumalarını bekleyin.

### ⚠ Dikkat:

- Filtreleri güneşin altında veya elektrik sobası gibi bir ısı kaynağı kullanarak kurutmayın. Bu, çarpılmalarına yol açabilir.
- Filtreleri sıcak suda (50°C'nin üzerinde) yıkamayın. Bu, çarpılmalarına yol açabilir.
- Filtrelerin daima takılı olmasına dikkat edin. Ünitenin hava filtreleri olmadan çalıştırılması arızaya yol açabilir.

### ⚠ Dikkat:

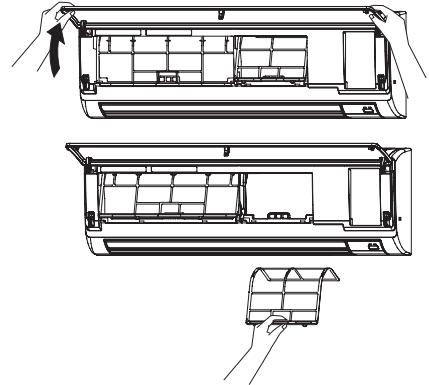
- Temizlemeye başlamadan önce, cihazı durdurun ve ana elektrik şalterini kapalı duruma getirin.
- İç ünitelere, emilen havayı tozdan arındırmak amacıyla bir filtre yerleştirilmiştir. Aşağıdaki resimlerde gösterilen yöntemlerle bu filtreleri temizleyin.

### ► Filtreyi çıkarma

#### ⚠ Dikkat:

- Filtreyi çıkarırken, gözlerinizi tozdan korumak için gerekli önlemler alınmalıdır. Ayrıca, çalışmak için bir tabureye çıkmanız gerekiyorsa düşmemeye dikkat edin.
- Filtre çıkarıldığında, iç ünitenin içindeki metal parçalara dokunmayın, yaralanabilirsiniz.

- PKFY-P-VBM-E
- PKFY-P-VHM-E

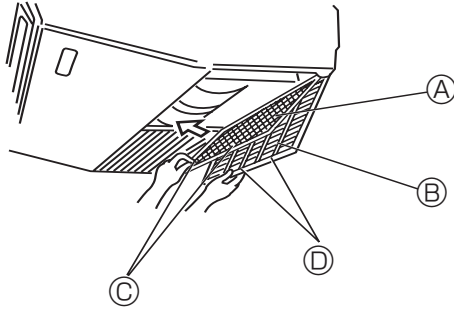


- ① Giriş ızgarasını açmak için ızgarayı her iki alt ucundan çekin ve sonra da filtreyi kaldırın.



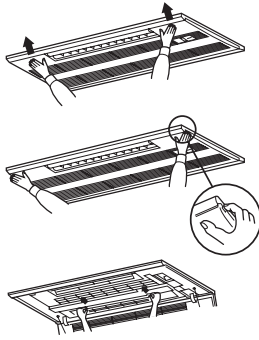
## 10. Bakım ve temizleme

### ■ PCFY-P-VKM-E



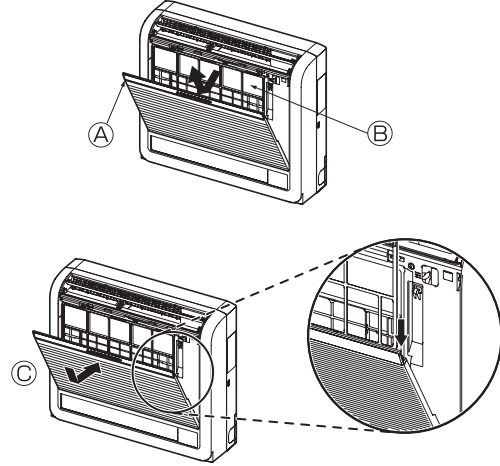
- ① Giriş ızgarasını açınız.
  - ② Filtenin üzerindeki topuzu tutup filtreyi ok yönünde çekiniz. Temizledikten sonra filtreyi yerine takarken takozla dayanıncaya kadar iyice içeriye itmeye dikkat ediniz.
- Ⓐ Filtre    Ⓑ Giriş ızgarası    Ⓒ Topuz    Ⓓ Takoz

### ■ PMFY-P-VBM-E



- ① Giriş ızgarasının dış tarafındaki PUSH (basınız) düğmesine basılınca giriş ızgarası olarak açılır.
- ② Üzerinde giriş ızgarası bulunan filtre, filtreyi öne çekmek suretiyle yerinden çıkarılabilir.

### ■ PFFY-P-VKM-E(2)



- ① Catechin hava filtresini çıkartın.
- Ⓐ Ön paneli açın  
Ⓑ Catechin hava filtresi

#### ⚠ Dikkat:

Catechin hava filtresini çıkartırken, iç ünitenin metal parçalarına dokunmayın.

Bu yaralanmalara neden olabilir.

- ② Catechin hava filtresinin kurulumu.  
Her iki ucu da gösterildiği gibi çıkıntılara takın.
- Ⓒ Takın.
- ③ Ön paneli sıkıca kapatın.

## 11. Arızanın bulunması ve giderilmesi

Sorunuz mu var?	İşte çözüm. (Ünite normal bir şekilde çalışıyor.)
Klima iyi soğutmuyor veya iyi ısıtmıyor.	<ul style="list-style-type: none"> <li>■ Filtreyi temizleyin. (Filtre kirli veya tıkalı olduğunda hava akımı düşer.)</li> <li>■ Sıcaklık ayarını kontrol edin ve ayarlı sıcaklığı ayarlayın.</li> <li>■ Dış mekan ünitesinin etrafında bolca alan bulunmasını temin edin. İç mekan ünitesi hava girişi veya çıkışı tıkalımı?</li> <li>■ Açık bırakılan kapı veya pencere var mı?</li> </ul>
Isıtma işlemi başladığında iç mekan ünitesi hemen sıcak hava üflemiyor.	■ Sıcak hava, iç mekan ünitesi yeterince ısınmaya kadar üflenmez.
Klima ısıtma modu esnasında ayarlı oda sıcaklığına ulaşmadan duruyor.	■ Dış mekan sıcaklığı düşük ve nem oranı da yüksek olduğunda dış mekan ünitesi üzerinde buzlanma meydana gelebilir. Bunun meydana gelmesi halinde dış mekan ünitesi buz giderme işlemi gerçekleştirir. Normal işlem yaklaşık 10 dakika sonra başlamalıdır.
İşlem esnasında hava akımı yönü değişiyor ya da hava akımı yönü ayarlanamıyor.	<ul style="list-style-type: none"> <li>■ Soğutma modu esnasında aflağı (yatay) hava akımı yönü seçildiğinde pervaneler 1 saat sonra otomatik olarak yatay (aflağı) konuma geçer. Bu, su oluşmasını ve pervanelerden damlamasını engellemek içindir.</li> <li>■ Isıtma modu esnasında hava akım sıcaklığı düflükse veya buz giderme modundayken pervaneler otomatik olarak yatay hava akım yönüne geçer.</li> </ul>
Hava akım yönü değiştiğinde pervaneler ayarlı konumda durmadan önce daima aşağı ve yukarı doğru, ayarlı konumu geçecek şekilde hareket ediyor.	■ Hava akım yönü değiştirildiğinde pervaneler seçilen konuma temel konumu bulduktan sonra geçer.
Akan su sesi veya ara sıra da ıslık sesi duyuluyor.	■ Bu sesler klimanın içerisinde soğutucu madde akışı olduğunda veya soğutucu madde akımı değişmekte olduğunda duyulabilir.
Çatırtı veya gıcırta sesi duyuluyor.	■ Bu sesler parçalar sıcaklık değişimleri sebebiyle genişleme veya daralma esnasında birbirlerine sürtündüklerinde duyulabilir.
Odada hofli olmayan bir koku var.	■ İç mekan ünitesi duvarlar, yer döşemesi ve mobilyalar tarafından üretilen gazları içeren havayı, elbiselerde bulunan kokuları çeker ve bu havayı tekrar odaya üfler.
İç mekan ünitesinden beyaz bir sis veya buhar çıkıyor.	<ul style="list-style-type: none"> <li>■ Bu durum iç mekan sıcaklığı ve nemliliği yüksek olduğunda işlem başladığında meydana gelebilir.</li> <li>■ Buz giderme modundayken soğuk hava akımı aşağı doğru üflenebilir ve sis gibi gözükülebilir.</li> </ul>
Dış mekan ünitesinden su veya buhar çıkıyor.	<ul style="list-style-type: none"> <li>■ Soğutma modu esnasında soğuk boru ve ek yerlerinde su oluşabilir ve damlayabilir.</li> <li>■ Isıtma modu esnasında ısı değiştiricide su oluşabilir ve damlayabilir.</li> <li>■ Buz giderme modunda ısı değiştirici üzerindeki su buharlaşır ve su buharı atılabilir.</li> </ul>
Uzaktan kumandada işletim göstergesi belirmiyor.	■ Güç düğmesini açın. Uzaktan kumandada "●" belirecektir.
AÇIK/KAPALI düğmesine basılmasına rağmen klima çalışmıyor. Uzaktan kumandadaki çalışma modu ekranı görünmüyor.	■ İç ünitenin güç düğmesi kapalı mı? Güç düğmesini açık konuma getirin.
Uzaktan kumandada "☒" belirir.	■ Merkezi kontrol esnasında uzaktan kumandada "☒" belirir ve klima işlemi uzaktan kumanda kullanılarak başlatılamaz veya durdurulamaz.
Klimayı durdurduktan hemen sonra yeniden başlatırken cihaz ON/OFF düğmesine basılsa bile çalışmayacaktır.	■ Yaklaşık üç dakika kadar bekleyin. (İşlem klimayı korumak için durdurulmuştur.)
Klima, ON/OFF düğmesine basılmaksızın çalışıyor.	<ul style="list-style-type: none"> <li>■ Açma zamanlayıcısı ayarlı mı? Cihazın çalışmasını durdurmak için ON/OFF düğmesine basın.</li> <li>■ Klima merkezi bir uzaktan kumandaya bağlı mı? Klimayı kontrol eden ilgili şahıslara danışın.</li> <li>■ Uzaktan kumandada "☒" görülüyor mu? Klimayı kontrol eden ilgili şahıslara danışın.</li> <li>■ Güç kesintilerinden sonra otomatik devam etme özelliği ayarlı mı? Cihazın çalışmasını durdurmak için ON/OFF düğmesine basın.</li> </ul>
Klima, ON/OFF düğmesine basılmaksızın duruyor.	<ul style="list-style-type: none"> <li>■ Kapama zamanlayıcısı ayarlı mı? Cihazın çalışmasını yeniden başlatmak için ON/OFF düğmesine basın.</li> <li>■ Klima merkezi bir uzaktan kumandaya bağlı mı? Klimayı kontrol eden ilgili şahıslara danışın.</li> <li>■ Uzaktan kumandada "☒" görülüyor mu? Klimayı kontrol eden ilgili şahıslara danışın.</li> </ul>
Uzaktan kumandanın zamanlayıcı işlemi ayarlanamıyor.	■ Zamanlayıcı ayarları geçersiz mi? Zamanlayıcı ayarlanabiliyorsa uzaktan kumandada göstergesinde (WEEKLY), (SIMPLE) veya (AUTO OFF) belirir.
Uzaktan kumandada "PLEASE WAIT" (LÜTFEN BEKLEYİN) belirir.	■ Başlangıç ayarları yürütülüyor. Yaklaşık üç dakika kadar bekleyin.
Uzaktan kumandada bir hata kodu belirir.	<ul style="list-style-type: none"> <li>■ Klimayı korumak için koruma aygıtları çalıştırılmıştır.</li> <li>■ Cihazı tamir etmeye çalışmayın. Derhal güç düğmesini kapalı konuma getirin ve satıcınıza danışın. Satıcıya model ismini ve uzaktan kumanda göstergesinde görülen bilgileri vermeyi unutmayın.</li> </ul>
Su çekilme sesi veya motor dönme sesi duyuluyor.	■ Soğutma işlemi durduğunda drenaj pompası çalışır ve sonra durur. Yaklaşık üç dakika kadar bekleyin.




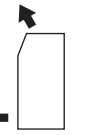

## 11. Arızanın bulunması ve giderilmesi

Sorunuz mu var?	İşte çözüm. (Ünite normal bir şekilde çalışıyor.)												
Gürültü belirtilenden daha çok.	<p>■ Bina içi işletme gürültüsü seviyesi aşağıdaki tabloda gösterildiği gibi odanın akustiğinden etkilenebilir ve ekosuz odada ölçülen gürültü seviyelerinin üzerine çıkabilir.</p> <table border="1"> <thead> <tr> <th></th> <th>Ses emişi yüksek olan odalar</th> <th>Normal odalar</th> <th>Ses emişi düşük olan odalar</th> </tr> </thead> <tbody> <tr> <td>Mekan örnekleri</td> <td>Yayın stüdyosu, müzik odası vb.</td> <td>Resepsiyon odası, otel lobisi vb.</td> <td>Ofis, otel odası</td> </tr> <tr> <td>Gürültü seviyeleri</td> <td>3 ila 7 dB</td> <td>6 ila 10 dB</td> <td>9 ila 13 dB</td> </tr> </tbody> </table>		Ses emişi yüksek olan odalar	Normal odalar	Ses emişi düşük olan odalar	Mekan örnekleri	Yayın stüdyosu, müzik odası vb.	Resepsiyon odası, otel lobisi vb.	Ofis, otel odası	Gürültü seviyeleri	3 ila 7 dB	6 ila 10 dB	9 ila 13 dB
	Ses emişi yüksek olan odalar	Normal odalar	Ses emişi düşük olan odalar										
Mekan örnekleri	Yayın stüdyosu, müzik odası vb.	Resepsiyon odası, otel lobisi vb.	Ofis, otel odası										
Gürültü seviyeleri	3 ila 7 dB	6 ila 10 dB	9 ila 13 dB										
Kablosuz uzaktan kumanda göstergesinde hiçbir şey görünmüyor, görüntü zayıf veya iç mekan ünitesi sinyalleri uzaktan kumanda yakın tutulmadığı takdirde almıyor.	<p>■ Piller zayıf. Pilleri değiştirin ve Reset (Sıfırla) düğmesine basın. ■ Piller değiştirildiği halde hiçbir şey görünmüyorsa pillerin doğru istikamette (+,-) yerleştirildiğinden emin olun.</p>												
İç mekan ünitesinin kablosuz uzaktan kumanda alıcısının yanındaki işletim lambası yanıp sönüyor.	<p>■ Klimayı korumak için otomatik teşhis aygıtı çalıştırılmıştır. ■ Cihazı tamir etmeye çalışmayın. Derhal güç düğmesini kapalı konuma getirin ve satıcınıza danışın. Satıcıya model ismini belirtmeyi unutmayın.</p>												
Isıtma modu kapalı olduğunda ya da fan modu sırasında iç üniteden sıcak hava kesikli bir şekilde üfleniyor.	<p>■ Başka bir iç ünite ısıtma modunda çalışırken kontrol vanası, klima sistemindeki stabiliteyi muhafaza etmek için zaman zaman açılıp kapanacaktır. Bu işlem bir süre sonra duracaktır. * Küçük odalar vs. gibi yerlerde bu işlemin oda sıcaklığında istenmeyen bir artış meydana getirmesi halinde iç ünitenin çalışmasını geçici olarak durdurun.</p>												
Hava damperi otomatik olarak açılır ve kapanır. (PFFY-P-VKM-E serisi için)	<p>■ Hava damperi, bir mikroişlemci tarafından hava akışı sıcaklığı ve klimanın çalışma süresi esas alınarak otomatik olarak kontrol edilir.</p>												

### ► Hava çıkış kontrolü (PFFY-P-VKM-E serisi)

Bu ünite otomatik olarak kontrol edilmektedir, böylece hava üst ve alt hava çıkışlarından aynı anda çıkar ve oda etkin bir şekilde soğutulabilir ya da ısıtılabilir.

#### Klimanın İşleyişi

Çalışma Şekli	SERİN	KURU	ISITMA	FAN	
Hava akışı					
Koşullar	Üst ve alt hava akışı	Üst hava akışı	Yalnızca üst hava akışı	Üst ve alt hava akışı	Üst ve alt hava akışı
	Oda sıcaklığı ve ayarlanan sıcaklık farklıdır.	Oda sıcaklığı ayarlanan sıcaklığa ya da termo kapalı konuma yakındır.	—	(Normal durum (ısıtma sırasında))	Soğutma sırasında, termo kapalı olacak şekilde çalıştırma işlemini başlatın

- Alt hava çıkış damperi çevresindeki alanın her türlü nesneden uzak olmasını sağlayın.  
Bu ünite, sadece adres kartı üzerindeki anahtar ayarı değiştirilerek üst hava çıkışından hava üflenecek şekilde ayarlanabilir (yetkili satıcıya sorunuz).

#### Uygulama aralığı

Hem Y, R2, Multi-S serisi iç üniteler hem de dış üniteler için işletme sıcaklığı aralığı aşağıda gösterildiği şekildedir.

#### ⚠ Uyarı:

**Klimanın çalışması, ancak odayı soğutmaması ya da ısıtmaması (modele bağlı olarak) durumunda bir soğutucu kaçağı olabileceğinden dolayı dağıtıcınız ile temasa geçin. Onarım yapılırken mutlaka servis temsilcisine herhangi bir soğutucu kaçağı olup olmadığını sorun. Klimaya doldurulan soğutucu güvenlidir. Soğutucu normal şartlarda sızıntı yapmaz, ancak soğutucu gazının kapalı bir alana sızması ve üfleyici vantilatörün, ısıtıcı radyatörün, fırının vs. ateşi ile temas etmesi halinde zararlı maddeler ortaya çıkabilir.**

## 12. Spesifikasyonları

### ■ PCFY-P-VKM-E serisi

Model	P40	P63	P100	P125
Güç kaynağı (Voltaj<V>/Freakans)	<Hz> ~/N 220-230-240/50, 220/60			
Kapasite (Soğutma/Isıtma)	<kW> 4,5/5,0	7,1/8,0	11,2/12,5	14,0/16,0
Boyut (Yükseklik)	<mm> 230			
Boyut (Genişlik)	<mm> 960	1280	1600	
Boyut (Derinlik)	<mm> 680			
Net ağırlık	<kg> 24	32	36	38
Fan Hava Akışı hızı (Düşük-Orta2-Orta1-Yüksek)	<m <sup>3</sup> /min> 10-11-12-13	14-15-16-18	21-24-26-28	21-24-27-31
Ses seviyesi (Düşük-Orta2-Orta1-Yüksek)	<dB> 29-32-34-36	31-33-35-37	36-39-41-43	36-39-42-44

Not

- \* İç ünitenin çalışma sıcaklığı.  
Soğutma modu: 15°CWB - 24°CWB  
Isıtma modu: 15°CDB - 27°CDB

- \*1 Soğutma/Isıtma kapasitesi, aşağıdaki koşullarda çalıştırıldığında maksimum değeri gösterir.  
Soğutma: İç 27 °C DB/19 °C WB, Dış 35 °C DB  
Isıtma: İç 20 °C DB, Dış 7 °C DB/6 °C WB

### ■ PKFY-P-VBM-E serisi

### ■ PKFY-P-VHM-E serisi

Model	P15	P20	P25	P32	P40	P50
Güç kaynağı (Voltaj<V>/Freakans)	<Hz> ~/N 220-230-240/50, 220/60					
Kapasite (Soğutma/Isıtma)	<kW> 1,7/1,9	2,2/2,5	2,8/3,2	3,6/4,0	4,5/5,0	5,6/6,3
Boyut (Yükseklik)	<mm> 295			<mm> 295		
Boyut (Genişlik)	<mm> 815			<mm> 898		
Boyut (Derinlik)	<mm> 225			<mm> 249		
Net ağırlık	<kg> 10			<kg> 13		
Fan Hava Akışı hızı (Düşük-Orta2-Orta1-Yüksek)	<m <sup>3</sup> /min> 4,9-5,0-5,2-5,3	4,9-5,2-5,6-5,9		9-10-11	9-10,5-11,5	9-10,5-12
Ses seviyesi (Düşük-Orta2-Orta1-Yüksek)	<dB> 29-31-32-33	29-31-34-36		34-37-41	34-38-41	34-39-43

Not

- \* İç ünitenin çalışma sıcaklığı.  
Soğutma modu: 15°CWB - 24°CWB  
Isıtma modu: 15°CDB - 27°CDB

- \*1 Soğutma/Isıtma kapasitesi, aşağıdaki koşullarda çalıştırıldığında maksimum değeri gösterir.  
Soğutma: İç 27 °C DB/19 °C WB, Dış 35 °C DB  
Isıtma: İç 20 °C DB, Dış 7 °C DB/6 °C WB

### ■ PMFY-P-VBM-E Series

Model	P20	P25	P32	P40
Güç kaynağı (Voltaj<V>/Freakans)	<Hz> ~/N 220-230-240/50, 220/60			
Kapasite (Soğutma/Isıtma)	<kW> 2,2/2,5	2,8/3,2	3,6/4,0	4,5/5,0
Boyut (Yükseklik)	<mm> 230 (30)			
Boyut (Genişlik)	<mm> 854 (1000)			
Boyut (Derinlik)	<mm> 395 (470)			
Net ağırlık	<kg> 14 (3,0)			
Fan Hava Akışı hızı (Düşük-Orta2-Orta1-Yüksek)	<m <sup>3</sup> /min> 6,5-7,2-8,0-8,6	7,3-8,0-8,6-9,3		7,7-8,7-9,7-10,7
Ses seviyesi (Düşük-Orta2-Orta1-Yüksek)	<dB> 27-30-33-36	32-34-36-37		33-35-37-39

Not

- \* İç ünitenin çalışma sıcaklığı.  
Soğutma modu: 15°CWB - 24°CWB  
Isıtma modu: 15°CDB - 27°CDB

- \*1 Soğutma/Isıtma kapasitesi, aşağıdaki koşullarda çalıştırıldığında maksimum değeri gösterir.  
Soğutma: İç 27 °C DB/19 °C WB, Dış 35 °C DB  
Isıtma: İç 20 °C DB, Dış 7 °C DB/6 °C WB
- \*2 Parantez ( ) içindeki rakam panelleri gösterir.

### ■ PFFY-P-VKM-E Series

Model	P20	P25	P32	P40
Güç kaynağı (Voltaj<V>/Freakans)	<Hz> ~/N 220-230-240/50			
Kapasite (Soğutma/Isıtma)	<kW> 2,2/2,5	2,8/3,2	3,6/4,0	4,5/5,0
Boyut (Yükseklik)	<mm> 600			
Boyut (Genişlik)	<mm> 700			
Boyut (Derinlik)	<mm> 200			
Net ağırlık	<kg> 14			
Fan Hava Akışı hızı (Düşük-Orta2-Orta1-Yüksek)	<m <sup>3</sup> /min> 5,9-6,8-7,6-8,7	6,1-7,0-8,0-9,1		8,0-9,0-9,5-10,7
Ses seviyesi (Düşük-Orta2-Orta1-Yüksek)	<dB> 27-31-34-37	28-32-35-38		35-38-42-44

Not

- \* İç ünitenin çalışma sıcaklığı.  
Soğutma modu: 15°CWB - 24°CWB  
Isıtma modu: 15°CDB - 27°CDB

- \*1 Soğutma/Isıtma kapasitesi, aşağıdaki koşullarda çalıştırıldığında maksimum değeri gösterir.  
Soğutma: İç 27 °C DB/19 °C WB, Dış 35 °C DB  
Isıtma: İç 20 °C DB, Dış 7 °C DB/6 °C WB

# Содержание

1. Меры предосторожности .....	175	7. Прочие функции.....	184
2. Наименование деталей .....	176	8. Выбор функции .....	185
3. Конфигурация дисплея .....	179	9. Работа пульта дистанционного управления в аварийном режиме .....	189
4. Установка дня недели и времени .....	179	10. Уход и чистка .....	189
5. Эксплуатация .....	179	11. Исправление неполадок.....	191
6. Таймер .....	181	12. Технические характеристики.....	193

## Примечание:

В этом руководстве по использованию аппарата фраза “проводной пульт дистанционного управления” относится к пульту дистанционного управления PAR-21MAA.  
Сведения о других пультах дистанционного управления приводятся в руководстве, находящемся в этой коробке.

## 1. Меры предосторожности

- ▶ Перед установкой данного прибора, пожалуйста обязательно прочитайте все “Меры предосторожности”.
- ▶ В разделе “Меры предосторожности” изложены очень важные сведения, касающиеся техники безопасности. Обязательно следуйте этим инструкциям.
- ▶ Пожалуйста уведомите соответствующий орган электро-снабжения или получите от него разрешение перед подключением к системе электропитания.

### Символика, используемая в тексте

#### ⚠ Предупреждение:

Описывает меры предосторожности, которые следует выполнять, чтобы избежать травмы или гибели пользователя.

#### ⚠ Осторожно:

Описывает меры предосторожности, которые следует выполнять, чтобы не повредить прибор.

### Символы, указанные на иллюстрациях

⚡ :Указывает, что эта часть должна быть заземлена.

#### ⚠ Предупреждение:

- Запрещается бесконтрольный, несанкционированный доступ посторонних лиц к приборам этого класса.
- Данный прибор не должен устанавливаться пользователем. Обратитесь к поставщику или в специализированное предприятие и закажите установку прибора. При неправильной установке может произойти утечка воды, электрический шок или пожар.
- Никогда не занимайтесь ремонтом или переносом прибора не кто иной место самостоятельно.
- Не ставьте какие-либо посторонние предметы на прибор.
- Не проливайте на прибор воду и не дотрагивайтесь до прибора мокрыми руками.
- Не разбрызгивайте вблизи от прибора горючий газ.
- Не снимайте переднюю панель или защиту вентилятора с внешнего прибора, когда он работает.
- Запрещается самостоятельно ремонтировать устройство или переносить его в другое место.
- Если вы заметите ненормально сильный шум или вибрацию, остановите прибор, отключите главный выключатель питания и свяжитесь с вашим поставщиком.
- Никогда не вставляйте пальцы, палки и т.д. в отверстия входа или выхода.
- Если вы почувствуете странные запахи, остановите прибор, отключите питание и проконсультируйтесь с вашим поставщиком. В противном случае может произойти поломка прибора, пожар или электрошок.
- Детям и немощным людям ЗАПРЕЩАЕТСЯ самостоятельно пользоваться данным кондиционером воздуха.

- Необходимо наблюдать за маленькими детьми с тем, чтобы они не играли с кондиционером воздуха.
- Если происходит выброс или утечка газа хладагента, остановите работу кондиционера, тщательно проветрите помещение и свяжитесь с вашим поставщиком.
- Этот прибор не предназначен для использования его детьми, инвалидами, а также лицами с недостаточным опытом и квалификацией, до тех пор, пока они не пройдут обучение, и не получат полный инструктаж по правилам безопасной эксплуатации данного прибора у лица, ответственного за их безопасность.
- При монтаже или перемещении, а также при обслуживании кондиционера используйте только указанный хладагент (R410A) для заполнения трубопроводов хладагента. Не смешивайте его ни с каким другим хладагентом и не допускайте наличия воздуха в трубопроводах. Наличие воздуха в трубопроводах может вызывать скачки давления, в результате которых может произойти взрыв или другие повреждения. Использование любого хладагента, отличного от указанного для этой системы, вызовет механическое повреждение, сбой в работе системы, или выход устройства из строя. В наихудшем случае, это может послужить серьезной преградой к обеспечению безопасной работы этого изделия.

#### ⚠ Осторожно:

- Не пользуйтесь острыми предметами для нажатия кнопок, так как это может привести к повреждению пульта дистанционного управления.
- Не закрывайте и не блокируйте входные и выпускные отверстия внутреннего и наружного блоков.
- Запрещается протирать пульт дистанционного управления бензином, растворителем, салфетками с химической пропиткой и т.п.
- Не используйте устройство длительное время при высокой влажности (например, оставив открытой дверь или окно). Если устройство длительное время эксплуатируется в режиме охлаждения в помещении с высокой влажностью (80% и выше), капли конденсата из кондиционера могут намочить или испортить мебель и т.д.

- Во время работы кондиционера не касайтесь направляющей лопасти верхнего выходного отверстия или к нижней заслонке. В противном случае может образоваться конденсат, который приведет к остановке устройства.

### Утилизация прибора

Когда вам потребуется ликвидировать прибор, обратитесь к вашему дилеру.



## 2. Наименование деталей

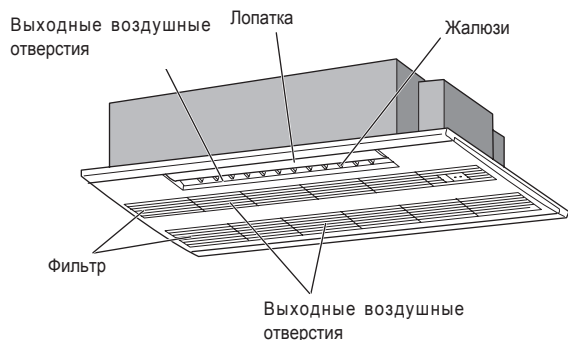
### ■ Внутренний прибор

	PKFY-P-VBM-E	PKFY-P-VHM-E	PCFY-P-VKM-E	PMFY-P-VBM-E	PFFY-P-VKM-E(2)	
Скорость вращения вентилятора	4-х скоростная	3-х скоростная + Авто*	4-х скоростная + Авто*	4-х скоростная	4-х скоростная	
Лопатка	Операции	4 шага	5 шага	5 шага	4 шага	4 шага
	Автоотклонение	×	○	○	○	○
Жалюзи	Вручную	Вручную	Вручную	Вручную	Вручную	
Фильтр	Обычный	Обычный	Долговечный	Обычный	Обычный	
Индикация очистки фильтра	100 часов	100 часов	2,500 часов	100 часов	100 часов	

\* Данная операция доступна только при использовании пульта дистанционного управления, с помощью которого можно установить настройки скорости вентилятора на "Авто".

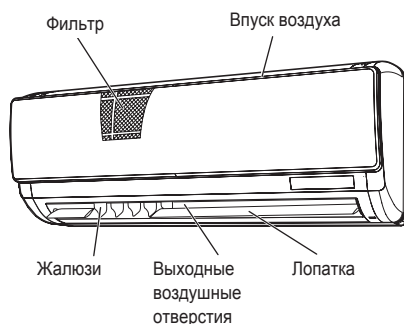
### ■ PMFY-P-VBM-E

1-ходовая потолочная кассета



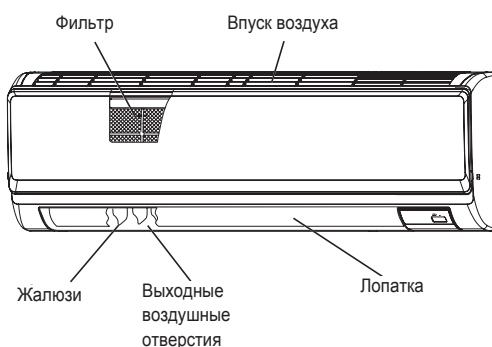
### ■ PKFY-P-VBM-E

Монтаж на стене



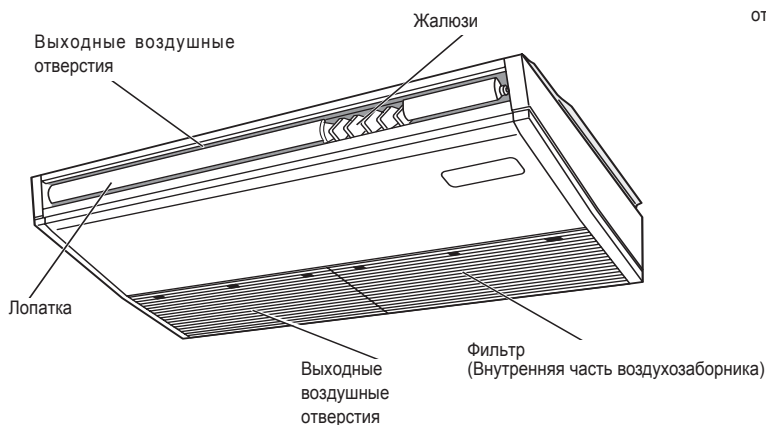
### ■ PKFY-P-VHM-E

Монтаж на стене



### ■ PCFY-P-VKM-E

Подвеска к потолку



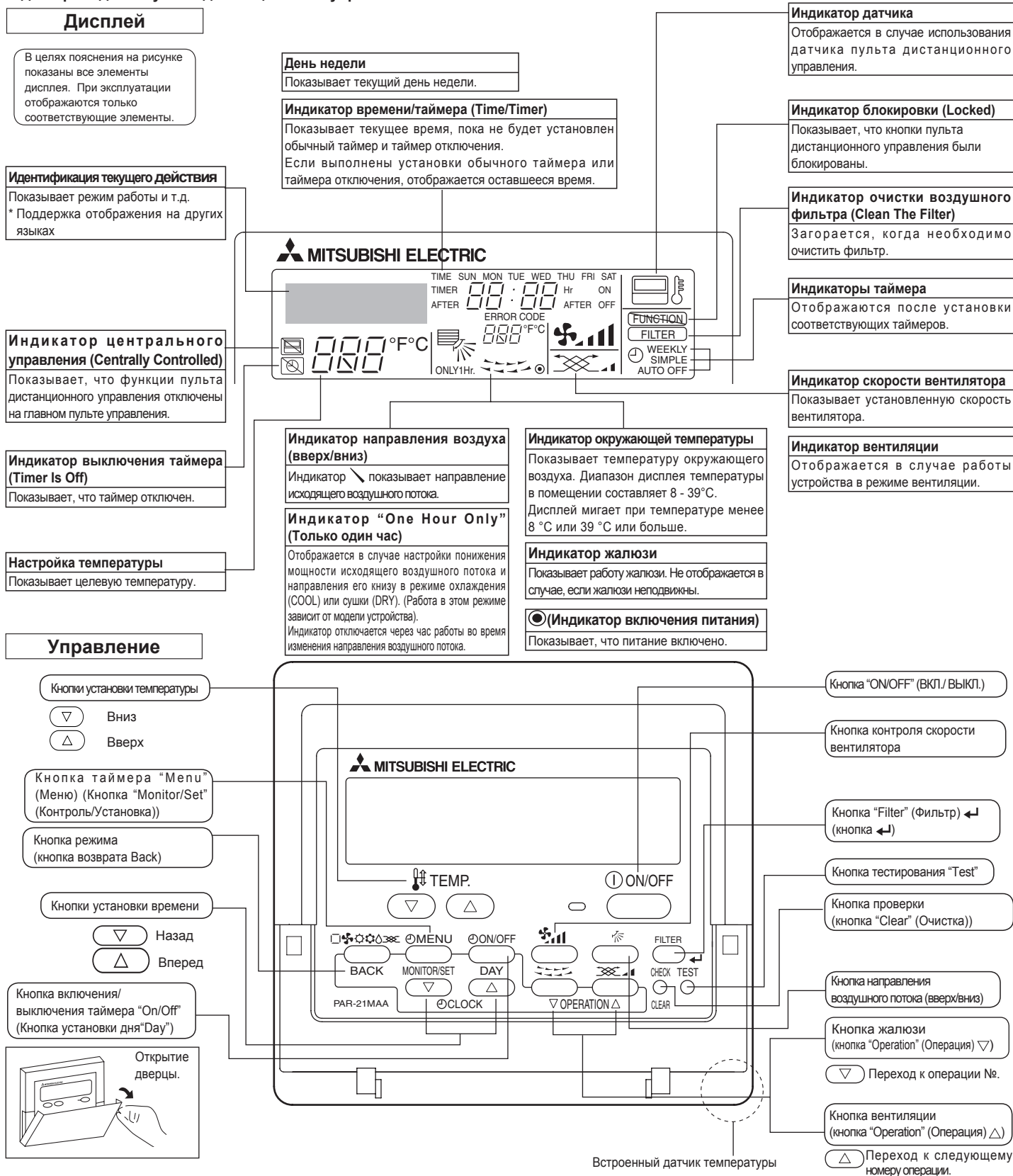
### ■ PFFY-P-VKM-E(2)

Напольное расположение



## 2. Наименование деталей

### ■ для проводные пульты дистанционного управления

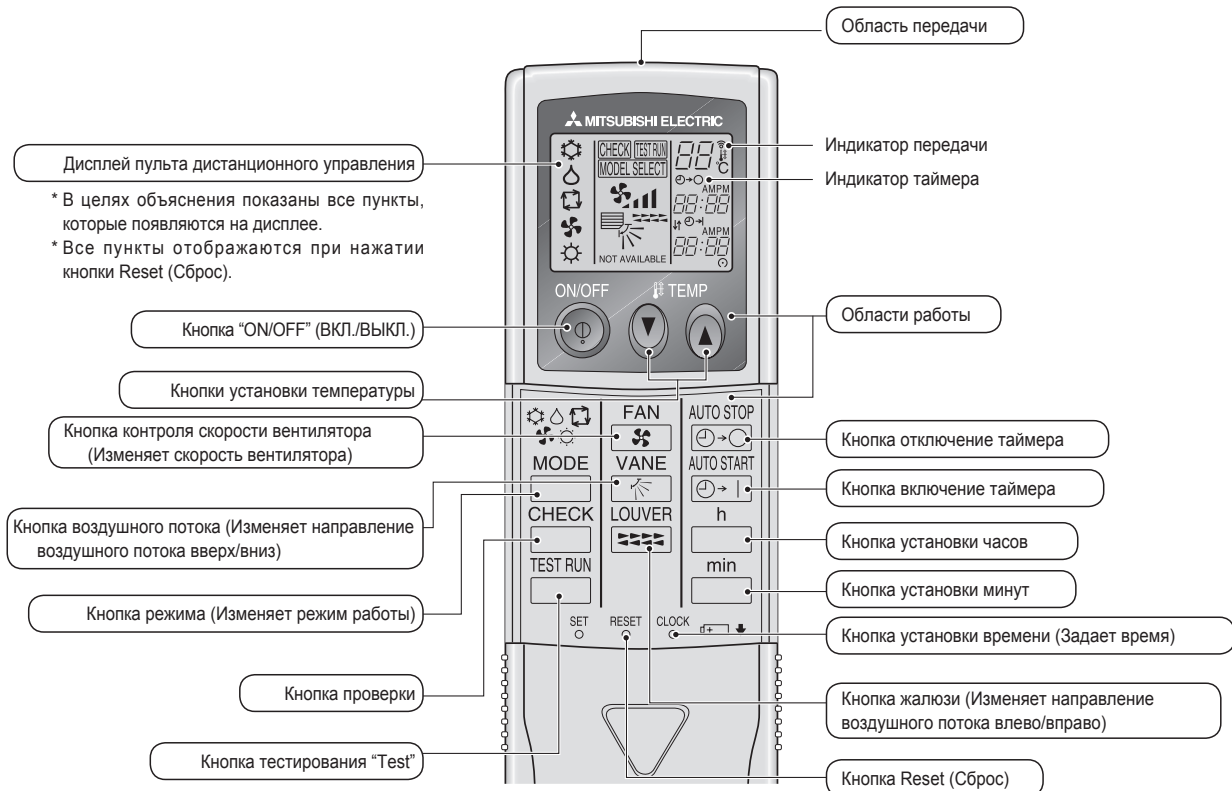


#### Примечание:

- Сообщение "PLEASE WAIT" (ПОЖАЛУЙСТА, ПОДОЖДИТЕ)  
Это сообщение отображается в течение примерно 3 минут при подаче электропитания к внутреннему прибору или когда прибор восстанавливается после сбоя электропитания.
- Мигание дисплея при работе  
Если к одному наружному устройству подключено несколько внутренних, то при выборе для внутреннего устройства режима работы, отличного от текущего режима другого внутреннего устройства, дисплей режима работы начнет мигать. Выберите одинаковый режим работы с другим внутренним устройством.
- Сообщение "NOT AVAILABLE" (НЕДОСТУПНО)  
Это сообщение отображается при нажатии кнопки для вызова функции, которая отсутствует во внутреннем приборе.  
Если один пульт дистанционного управления используется для нескольких внутренних устройств, это сообщение появляется в том случае, если основное внутреннее устройство не имеет выбранной функции.
- Дисплей комнатной температуры  
Для измерения температуры в помещении можно использовать датчики температуры внутреннего устройства или пульта дистанционного управления. Датчики температуры внутреннего устройства – это значение по умолчанию. Если для измерения температуры в помещении выбраны датчики внутреннего устройства, то на пульте ДУ, управляющего несколькими устройствами, будет отображаться значение температуры, измеренное основным внутренним устройством.

## 2. Наименование деталей

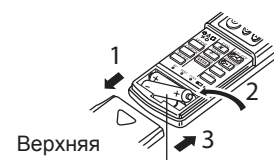
### ■ для беспроводного пульта дистанционного управления



- При использовании беспроводного пульта дистанционного управления направьте его к приемнику на внутреннем приборе.
- Если пультом дистанционного управления воспользоваться примерно в течение двух минут после подачи электропитания на внутренний прибор, внутренний прибор может издать два звуковых сигнала, так как осуществляется начальная автоматическая проверка.
- Внутренний прибор издает звуковой сигнал, который подтверждает получение сигнала, посланного с пульта дистанционного управления. Сигналы могут быть получены на расстоянии примерно 7 метров по прямой линии от внутреннего прибора под углом в 45° слева и справа прибора. Однако такой свет, как лампы дневного света или сильное освещение могут уменьшить эффективность приема сигналов внутренним прибором.
- Если лампа работы около приемника на внутреннем приборе мигает, прибор необходимо проверить. Свяжитесь со своим поставщиком для проведения обслуживания.
- Обращайтесь с пультом дистанционного управления осторожно! Не роняйте пульт дистанционного управления и не подвергайте его сильным ударам. Кроме того, следите за тем, чтобы пульт дистанционного управления не попал в воду, и не оставляйте его в местах с высокой влажностью.
- Во избежание неправильного местоположения пульта дистанционного управления, установите на стене держатель, входящий в комплект поставки пульта дистанционного управления, и обязательно устанавливайте пульт дистанционного управления в держатель после использования.

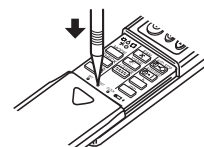
### Установка/замена батареек

1. Снимите верхнюю крышку, вставьте две батарейки типа AAA и установите верхнюю крышку на место.



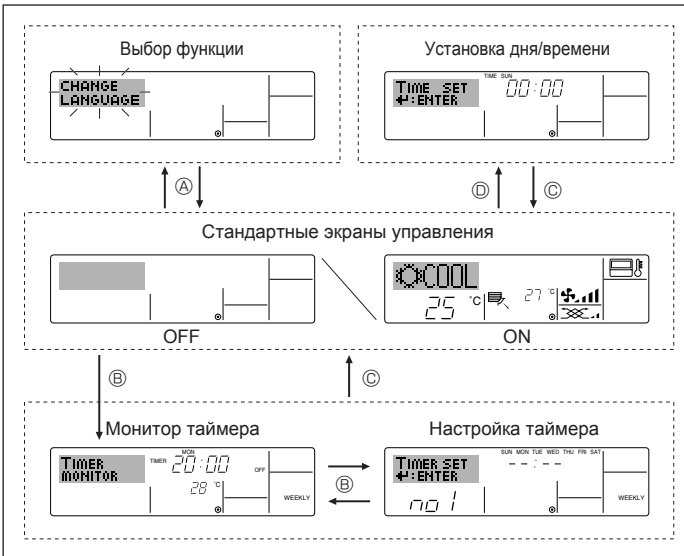
Две батарейки типа AAA  
Сначала вставляйте отрицательный (-) вывод каждой батарейки. Устанавливайте батарейки с соблюдением полярности (+, -)!

2. Нажмите кнопку Reset (Сброс).



Нажмите кнопку Reset (Сброс) с помощью предмета с узким концом.

### 3. Конфигурация дисплея



#### <Типы экранов отображения>

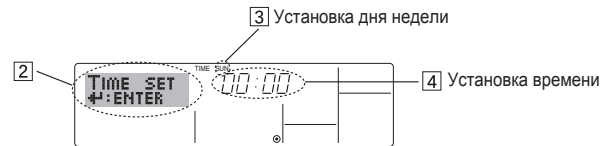
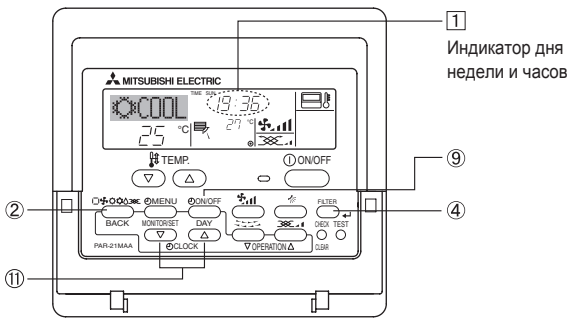
Настройку языка дисплея можно изменить на русский язык при помощи выбора функции на пульте дистанционного управления. См. пункт [4]-1, раздела 8 для изменения установки языка. Начальный установленный язык – английский.

- **Выбор функции:** Устанавливает доступные функции и диапазоны для пульта дистанционного управления (функции таймера, ограничения операций и т.д.)
- **Установка дня/времени:** Настраивает текущий день недели или время.
- **Стандартные экраны управления:** Отображает и определяет рабочее состояние систем кондиционирования воздуха.
- **Монитор таймера:** Отображает текущие настройки таймера (недельный таймер, простой таймер или таймер автоматического включения или отключения).
- **Настройка таймера:** Настраивает работу любого таймера (недельный таймер, простой таймер или таймер автоматического включения или отключения).

#### <Изменение экрана>

Для перехода к Ⓐ : Удерживайте в течение 2 секунд нажатыми кнопку выбора режима и кнопку включения/выключения таймера "On/Off".  
 Для перехода к Ⓑ : Нажмите кнопку таймера "Menu".  
 Для перехода к Ⓒ : Нажмите кнопку выбора режима (Return).  
 Для перехода к Ⓓ : Нажмите кнопки установки времени (▽ или △).

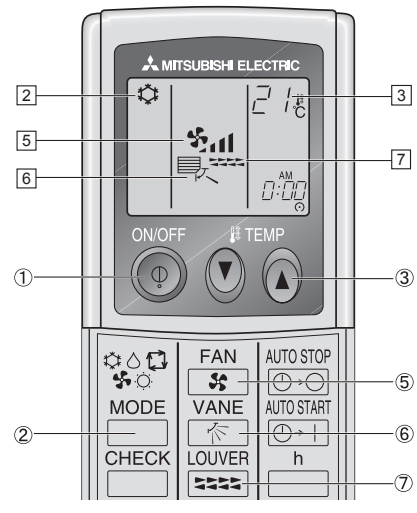
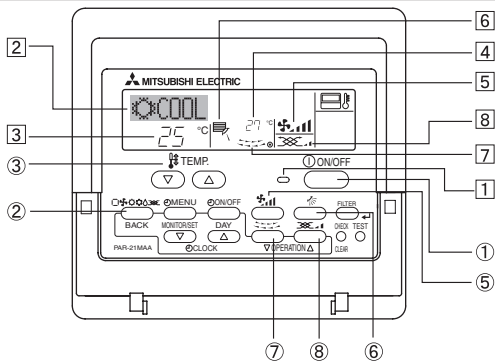
### 4. Установка дня недели и времени



1. Нажмите кнопку настройки времени ▽ или △ Ⓐ для включения отображения на дисплее Ⓐ.
2. Нажмите кнопку включения/выключения таймера "On/Off" (установка дня) Ⓓ для установки дня недели.  
 \* Каждое нажатие кнопки переключает день, как показано на Ⓒ:  
 Sun (Вск) → Mon (Пнд) → ... → Fri (Птн) → Sat (Сбт).
3. Нажмите соответствующую кнопку настройки времени Ⓑ для установки времени.  
 \* Пока вы удерживаете кнопку нажатой (в Ⓓ), временные интервалы сначала будут иметь приращение по минуте, затем по десять минут, а после этого по одному часу.
4. После выполнения соответствующих настроек в действиях 2и 3 нажмите кнопку "Filter" (Фильтр) Ⓒ Ⓓ для сохранения значений.

**Примечание:**  
 День недели не будет отображаться, если функция часов отключена на дисплее выбора функции (Function Selection).

### 5. Эксплуатация



#### 5.1. Включение/Выключение

##### <Для начала работы>

- Нажмите кнопку "ON/OFF" (Вкл./Выкл.) Ⓐ.
- Загорится лампа включения Ⓐ и индикатор дисплея.

##### Примечание:

■ После перезапуска устройства устанавливаются следующие параметры:

	Настройки пульта дистанционного управления		
Режим	Последняя настройка		
Настройка температуры	Последняя настройка		
Скорость вращения вентилятора	Последняя настройка		
Воздушный поток (вверх/ вниз)	Режим	COOL или DRY	Горизонт. выходное отверстие *1
		HEAT	Последняя настройка *2
		FAN	Горизонт. выходное отверстие *1

\*1 В зависимости от типа внутреннего прибора могут быть применены последние настройки.  
 \*2 В случае неустойчивости последней настройки поток воздуха может быть Вниз 4 в зависимости от типа внутреннего прибора.

##### <Для останова операции>

- Нажмите еще раз кнопку "ON/OFF" (Вкл./Выкл.) Ⓐ.
- Будут отключены лампа включения Ⓐ и индикатор дисплея.

##### Примечание:

Даже при немедленном нажатии кнопки ON/OFF (Вкл./Выкл.) после остановки работы кондиционер воздуха не включится в течение трех минут. Это предотвращает повреждение внутренних деталей.

## 5. Эксплуатация

### 5.2. Выбор режима

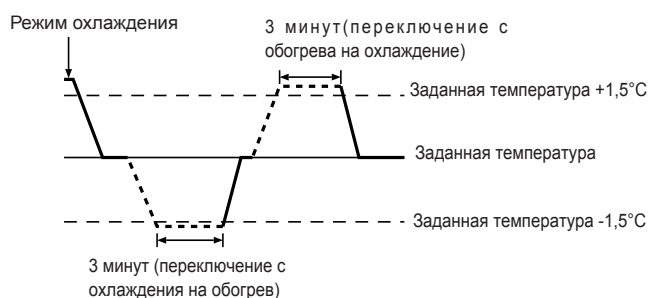
Нажмите кнопку выбора режима (☐☼☼☼☼) ② и выберите режим эксплуатации ②.

- ☼ Режим охлаждения
- ☼ Режим сушки
- ☼ Режим вентилятора
- ☼ Режим отопления
- ☐ Автоматический режим (охлаждение/отопление)

#### Работа в автоматическом режиме

■ В соответствии с заданной температурой, работа в режиме охлаждения включается, если температура в помещении слишком высокая, а работа в режиме обогрева включается, если температура слишком низкая.

■ При работе в автоматическом режиме, если температура в помещении изменится, и будет оставаться на 1,5 °C или больше выше заданной температуры в течение 3 минут, кондиционер переключается в режим охлаждения. Таким же образом, если температура в помещении будет оставаться на 1,5 °C или больше ниже заданной температуры в течение 3 минут, кондиционер переключается в режим обогрева.



■ Так как температура в помещении регулируется автоматически для поддержания определенной эффективной температуры, работа в режиме охлаждения осуществляется на несколько градусов теплее, а работа в режиме обогрева на несколько градусов холоднее заданной температуры при достижении температуры (автоматическая экономия электроэнергии).

### 5.3. Настройка температуры

#### ► Чтобы понизить температуру в помещении:

Нажмите кнопку (☼) ③, чтобы установить желаемое значение температуры. Дисплей показывает выбранную температуру ③.

#### ► Чтобы повысить температуру в помещении:

Нажмите кнопку (☼) ③, чтобы установить желаемое значение температуры. Дисплей показывает выбранную температуру ③.

• Имеющиеся диапазоны температур:

- Охлаждение и сушка: 19 - 30 °C
- Отопление: 17 - 28 °C
- Автоматический режим: 19 - 28 °C

• На дисплее мигают показания 8 °C - 39 °C, чтобы проинформировать Вас о том, что температура в помещении ниже или выше показания температуры на дисплее.

### 5.4. Настройка скорости вентилятора

■ Нажмите кнопку скорости вентилятора (☼) ⑤ столько раз, сколько нужно для выбора необходимой скорости.

- Каждое нажатие кнопки увеличивает скорость. Текущая выбранная скорость отображается в ⑤.
- Последовательность изменения настроек и доступные параметры:

СКОРОСТЬ ВЕНТИЛЯТОРА	Индикатор										
4-х скоростная + Авто*	<table border="1"> <tr> <td>Скорость 1</td> <td>Скорость 2</td> <td>Скорость 3</td> <td>Скорость 4</td> <td>Авто</td> </tr> <tr> <td>☼</td> <td>☼</td> <td>☼</td> <td>☼</td> <td>☼</td> </tr> </table>	Скорость 1	Скорость 2	Скорость 3	Скорость 4	Авто	☼	☼	☼	☼	☼
Скорость 1	Скорость 2	Скорость 3	Скорость 4	Авто							
☼	☼	☼	☼	☼							
3-х скоростная + Авто*	<table border="1"> <tr> <td>Скорость 1</td> <td>Скорость 2</td> <td>Скорость 3</td> <td>Авто</td> </tr> <tr> <td>☼</td> <td>☼</td> <td>☼</td> <td>☼</td> </tr> </table>	Скорость 1	Скорость 2	Скорость 3	Авто	☼	☼	☼	☼		
Скорость 1	Скорость 2	Скорость 3	Авто								
☼	☼	☼	☼								
4-х скоростная модель	<table border="1"> <tr> <td>Скорость 1</td> <td>Скорость 2</td> <td>Скорость 3</td> <td>Скорость 4</td> </tr> <tr> <td>☼</td> <td>☼</td> <td>☼</td> <td>☼</td> </tr> </table>	Скорость 1	Скорость 2	Скорость 3	Скорость 4	☼	☼	☼	☼		
Скорость 1	Скорость 2	Скорость 3	Скорость 4								
☼	☼	☼	☼								

\* Только для пульта дистанционного управления MA. Для беспроводного пульта дистанционного управления необходима автоматическая настройка скорости вентилятора.

#### Примечание:

● Число доступных скоростей вращения вентилятора зависит от типа подключенного устройства. Некоторые устройства не имеют возможности настройки параметра "Auto" (Авто).

● В следующих случаях действительная скорость вентилятора устройства будет отличаться от скорости, отображаемой на пульте дистанционного управления.

1. Во время отображения индикации "STAND BY" (ОБОГРЕВ:ПАУЗА) или "DEFROST" (ОТТАИВАНИЕ).
2. Когда температура теплообменника низкая в режиме обогрева. (например, сразу же после начала работы в режиме обогрева)
3. В режиме обогрева (HEAT), когда окружающая температура в помещении выше значений настроек температуры.
4. Во время работы устройства в режиме сушки (DRY).

#### ■ Автоматическая настройка скорости вентилятора (для беспроводного пульта дистанционного управления)

Настройки пульта дистанционного управления следует выполнять только в том случае, если автоматическая настройка скорости вентилятора не является настройкой по умолчанию.

Выполнять такую настройку для проводного пульта дистанционного управления, если параметр автоматической настройки скорости вентилятора используется по умолчанию, не надо.

① Нажмите кнопку SET остроконечным предметом. Выполняйте операцию, когда дисплей пульта дистанционного управления выключен.

MODEL SELECT мигает и номер модели высвечивается как ④.

② Нажмите кнопку AUTO STOP (☼-☼).

☼ мигает и настройка номера модели высвечивается как ⑥.

(Настройка №01: без автоматической настройки скорости вентилятора)

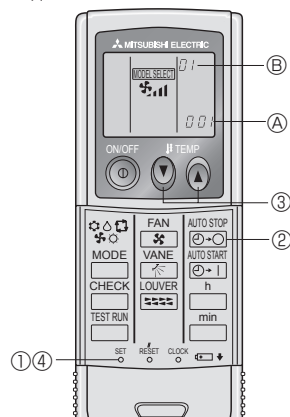
③ Нажмите кнопки установки температуры, (☼) (☼) чтобы выбрать настройку №02.

(Настройка №02: с автоматической настройкой скорости вентилятора)

При неправильном выборе операции нажмите кнопку ON/OFF (☼) (ВКЛ./ВЫКЛ.) и вновь начните выполнение операции с пункта ②.

④ Нажмите кнопку SET остроконечным предметом.

MODEL SELECT и номер модели высвечиваются в течение 3 секунд, а затем гаснут.



### 5.5. Настройка направления воздушного потока

#### <Для изменения направления воздушного потока вверх/вниз>

■ Во время работы устройства нажмите кнопку направления воздушного потока (вверх/вниз) ⑥ необходимое число раз.

- Каждое нажатие кнопки меняет направление воздуха. Текущее направление воздуха отображается в ⑥.
- Последовательность изменения настроек и доступные параметры:

воздушного потока	Индикатор														
модель на 5 шага *1	<table border="1"> <tr> <td>Колебание</td> <td>Авто</td> <td>1</td> <td>2</td> <td>3</td> <td>4</td> <td>5</td> </tr> <tr> <td>☼</td> <td>☼</td> <td>☼</td> <td>☼</td> <td>☼</td> <td>☼</td> <td>☼</td> </tr> </table>	Колебание	Авто	1	2	3	4	5	☼	☼	☼	☼	☼	☼	☼
Колебание	Авто	1	2	3	4	5									
☼	☼	☼	☼	☼	☼	☼									
модель на 4 шага (PMFY)	<table border="1"> <tr> <td>Колебание</td> <td>1 (Гориз.)</td> <td>2</td> <td>3</td> <td>4</td> </tr> <tr> <td>☼</td> <td>☼</td> <td>☼</td> <td>☼</td> <td>☼</td> </tr> </table>	Колебание	1 (Гориз.)	2	3	4	☼	☼	☼	☼	☼				
Колебание	1 (Гориз.)	2	3	4											
☼	☼	☼	☼	☼											
модель на 4 шага (PKFY-BM)	<table border="1"> <tr> <td>1 (Гориз.)</td> <td>2</td> <td>3</td> <td>4</td> </tr> <tr> <td>☼</td> <td>☼</td> <td>☼</td> <td>☼</td> </tr> </table>	1 (Гориз.)	2	3	4	☼	☼	☼	☼						
1 (Гориз.)	2	3	4												
☼	☼	☼	☼												

\* Помните, что в режиме колебания воздушного потока индикация на экране не меняется вместе с изменением положения воздушных направляющих.

\* В некоторых моделях возможность изменения направления воздуха недоступна.

\*1 Только для пульта дистанционного управления MA, иной пульт дистанционного управления отображает то же, что и модель на 4 шага.

\*2 Настройка направления воздушного потока <Авто> COOL/FAN/DRY : Настройка 1 (Горизонтальное), HEAT : Настройка 5 (Вниз 5)

#### Примечание:

● Доступные направления воздушного потока зависят от типа подключенного устройства. Некоторые устройства не имеют возможности выбора параметра "Auto" (Авто).

● В следующих случаях действительное направление воздушного потока будет отличаться от направления, указанного индикатором.

1. Во время отображения индикации "STAND BY" (ОБОГРЕВ:ПАУЗА) или "DEFROST" (ОТТАИВАНИЕ).
2. Сразу же после запуска режима обогрева (пока система ожидает активизации параметров изменения режима).
3. В режиме обогрева, когда окружающая температура в помещении выше значений настроек температуры.



## 5. Эксплуатация

(Для серии PFFY-P-VKM)

- Для серии PFFY-P-VKM направление воздушного потока, отображаемое на пульте дистанционного управления, отличается от фактического направления воздушного потока. См. следующую таблицу.

Индикатор	Колебание	1	2	3	4
	(Гориз.)				
Фактическое	Колебание	1	2	3	4
	(Гориз.)				

- Направление воздушного потока для демпфера нижних воздуховывпускных отверстий установить невозможно. Направление воздушного потока автоматически контролируется компьютером.

<[Вручную] Изменить направление воздушного потока влево/вправо>

\* Нельзя использовать кнопку заслонки ⑦.

- Остановите работу прибора, поднимите ручку заслонки и установите ее в нужное положение.
- \* Не устанавливайте на положение вовнутрь, когда прибор работает в режиме охлаждения или сушения, поскольку это может привести к образованию конденсата и просачиванию воды.



⚠ Осторожно:

При выполнении вышеуказанного процесса следует предпринимать меры, чтобы избежать падений.

## 6. Таймер

### 6.1. для проводные пульты дистанционного управления

Можно использовать экран выбора функции (Function Selection) для выбора одного из трех типов таймера: ① Weekly timer (Недельный таймер), ② Simple timer (Простой таймер) или ③ Auto Off (Таймер автоматического выключения).

#### 6.1.1. Еженедельный таймер

- Недельный таймер может использоваться для настройки до восьми операций в день в течение недели.

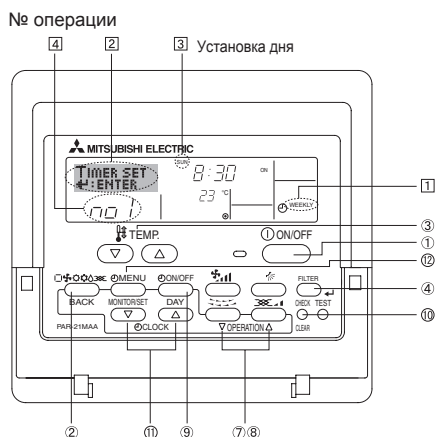
- Каждая операция может состоять из: времени включения/выключения с настройками температуры или только времени включения/выключения, или только настроек температуры.
- Когда наступает установленное для таймера время, кондиционер начинает выполнять действие, назначенное для таймера.

- Настройка времени таймера может быть выполнена с точностью в 1 минуту.

Примечание:

- \*1. Таймеры недельный/простой/автоматического отключения не могут использоваться одновременно.
- \*2. Недельный таймер не будет работать в случае наличия следующих условий:

Функция таймера выключена; система находится в неисправном состоянии; выполняется тест системы; пульт дистанционного управления выполняет процедуру самотестирования или проверку пульта дистанционного управления; пользователь выполняет настройку таймера; пользователь выполняет настройку текущего дня недели или времени; система управляется из центрального пульта управления. (В частности, система не будет выполнять действия (включать или выключать устройство или контролировать температуру), которые отключены в результате возникновения этих условий).



## 5.6. Вентиляция

► Для комбинации LOSSNAY

### 5.6.1. для проводные пульты дистанционного управления

- Для начала работы вентилятора вместе с внутренним устройством:
  - Нажмите кнопку "ON/OFF" (ВКЛ./ВЫКЛ.) ①.
  - На экране появится индикатор "Vent" (Ⓔ). Вентилятор будет работать автоматически во время действия внутреннего устройства.
- Для включения вентилятора, когда выключено внутреннее устройство:
  - Нажмите кнопку вентиляции (Ventilation) ⑥, пока выключено внутреннее устройство.
  - Загорится лампа включения (Ⓘ) и появится индикатор вентиляции (Ⓔ).
- Для изменения мощности вентилятора:
  - Нажмите кнопку вентиляции (Ventilation) ⑥ необходимое число раз.
  - Каждое нажатие кнопки переключает настройки так, как показано ниже.



Примечание:

- В некоторых моделях вентилятор внутреннего устройства может начать работу даже в том случае, когда он будет настроен для автономной работы.

<Настройка недельного таймера>

1. Убедитесь, что отображается стандартный экран управления, а также индикатор недельного таймера (Ⓘ).
2. Нажмите кнопку таймера "Menu" ②, после чего на экране отобразится сообщение "Set Up" (Установка) (Ⓔ). (Помните, что каждое нажатие кнопки переключает дисплей между режимами отображения "Set Up" (Установка) и "Monitor" (Монитор)).
3. Нажмите кнопку включения/выключения таймера "On/Off" (установка дня) ③ для установки дня недели. Каждое нажатие кнопки отображает ③ следующий параметр настройки в последовательности: "Вск Пнд Втр Срд Чтв Птн Сбт" → "Sun" → ... → "Fri" → "Sat" → "Sun Mon Tues Wed Thurs Fri Sat"...
4. Нажмите ▽ или кнопку операции Δ (⑦ или ⑧) необходимое число раз для установки нужного значения (1 - 8) ④.  
\* Во время выполнения действий 3 и 4 будет выбран один из элементов показанной ниже таблицы.  
(Слева на дисплее пульта дистанционного управления показывается отображение индикации в случае установки приведенных далее значений операции 1 для воскресенья (Sunday)).

Таблица настройки

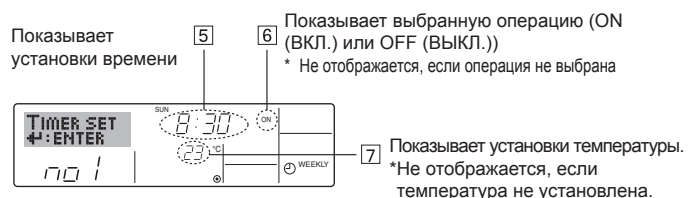
№ операции.	Sunday	Monday	...	Saturday
No. 1	• 8:30 • ON • 23 °C			
No. 2	• 10:00 • OFF	• 10:00 • OFF	• 10:00 • OFF	• 10:00 • OFF
...				
No. 8				

<Настройка операции 1 для воскресенья>  
Включение кондиционера в 8:30 с контролем температуры до 23 °C.

<Настройка операции 2 на каждый день>  
Отключение кондиционера в 10:00.

Примечание:

Устанавливая день для параметра "Sun Mon Tues Wed Thurs Fri Sat", вы можете выполнить одно и то же действие каждый день в одно и то же время. (Например, приведенная выше операция 2, которая одинакова для всех дней недели).



## 6. Таймер

### <Настройка недельного таймера>

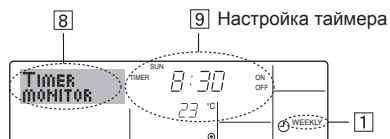
- Нажмите соответствующую кнопку настройки времени (1) необходимое число раз для установки времени (5).
- Пока вы удерживаете кнопку нажатой, временные интервалы сначала будут иметь приращение по минуте, затем по десять минут, а после этого по одному часу.
- Нажмите кнопку "ON/OFF" (Вкл./Выкл.) (6) для выбора нужной операции (ON или OFF) (6).
- Каждое нажатие кнопки изменяет следующую настройку в последовательности: не отображается (нет настройки) → "ON" (Вкл.) → "OFF" (Выкл.)
- Нажмите соответствующую кнопку настройки температуры (7) для установки нужного значения температуры (7).
- Каждое нажатие кнопки изменяет настройку в последовательности: не отображается (нет настройки) ↔ 24 ↔ 25 ↔ ... ↔ 29 ↔ 30 ↔ 12 ↔ ... ↔ 23 ↔ не отображается. (Доступный диапазон: от 12 °C до 30 °C. Действительный диапазон контролируемых температур может отличаться в зависимости от типа подключенного устройства).
- После выполнения соответствующих настроек в действиях 5, 6 и 7 нажмите кнопку "Filter" (Фильтр) (4) для сохранения значений. Для очистки значений текущих настроек для выбранной операции нажмите и быстро отпустите кнопку проверки (Clear) (10).
- Отображаемая настройка времени изменится на "—:—", а индикаторы "On/Off" и установки температуры исчезнут. (Для одновременной очистки настроек таймера удерживайте нажатой в течение двух или более секунд кнопку проверки (Clear) (10) 0 Индикатор начнет мигать, показывая, что все настройки были удалены. Дисплей начнет мигать, указывая на очистку всех настроек.)

#### Примечание:

Новые значения будут отменены, если перед кнопкой "Filter" (Фильтр) (4) вы нажмете кнопку выбора режима (2). Если вы настроили две или более операции для одного и того же времени, будет выполнена только операция с наивысшим номером операции.

- Повторите действия с 3 по 8 для заполнения необходимого числа ячеек.
- Нажмите кнопку режима (Return) (2) для возврата к стандартному экрану управления и продолжения процедуры настройки.
- Для активизации таймера нажмите кнопку включения/выключения таймера "On/Off" (9), после чего индикатор "Timer Off" (Выкл. таймер) исчезнет с экрана. **Убедитесь, что индикатор "Timer Off" более не отображается.**
- Если настроек таймера нет, на экране будет мигать надпись "Timer Off" (Таймер Выкл.).

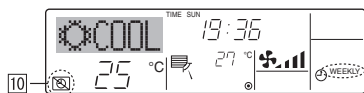
### <Отображение настроек недельного таймера>



- Убедитесь, что индикатор недельного таймера отображается на экране (1).
- Нажмите кнопку таймера "Menu" (2), после чего на экране отобразится сообщение "Monitor" (Монитор) (8).
- Нажмите кнопку включения/выключения таймера "On/Off" (настройка дня) (9) необходимое число раз для выбора дня.
- Нажмите кнопку операции ∇ или ∆ (7 или 8) для изменения отображаемой на дисплее операции таймера (9).
- Каждое нажатие кнопки осуществит переход к следующей операции таймера в порядке выполненных настроек времени.
- Для закрытия монитора и возврата к стандартному экрану управления нажмите кнопку режима (Return) (2).

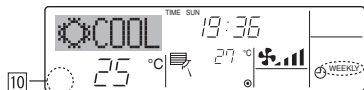
### <Для отключения недельного таймера.>

Нажмите кнопку включения/выключения таймера "On/Off" (9), после чего на экране появится индикатор "Timer Off" (Таймер выкл.) (10).



### <Для включения недельного таймера.>

Нажмите кнопку включения/выключения таймера "On/Off" (9), после чего индикатор "Timer Off" (Выкл. таймер) (10) потемнеет на экране.



### 6.1.2. Простой таймер

Вы можете настроить простой таймер тремя способами:

- Только время включения: кондиционер начнет работу после наступления установленного времени.
- Только время выключения: кондиционер прекратит работу после наступления установленного времени.
- Время включения и выключения: кондиционер начинает и прекращает работу после наступления соответствующего времени.

Простой таймер (включение и выключение) может быть настроен только для 72-х часового интервала времени.

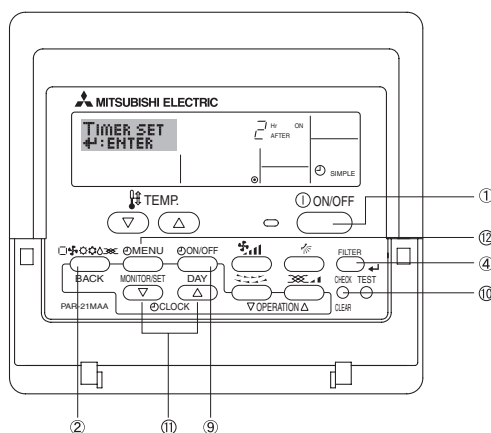
Настройки времени могут быть сделаны с приращением в один час.

#### Примечание:

\*1. Таймеры недельный/простой/автоматического отключения не могут использоваться одновременно.

\*2. Простой таймер не будет работать в случае наличия следующих условий:

Таймер выключен; система находится в неисправном состоянии; выполняется тест системы; пульт дистанционного управления выполняет процедуру самотестирования или диагностики; пользователь пытается выбрать режим работы; пользователь выполняет настройку таймера; система управляется из центрального пульта управления. (В этих условиях операции включения и отключения запрещены).



### <Настройка простого таймера>



- Убедитесь, что отображается стандартный экран управления, а также индикатор простого таймера (1). В случае отображения индикации, отличной от индикации простого таймера (Simple Timer), установите ее в "SIMPLE TIMER", используя функцию настройки таймера (см. 8.[4]-3 (3)).
- Нажмите кнопку таймера "Menu" (2), после чего на экране отобразится индикатор "Set Up" (Установка) (2). (Помните, что каждое нажатие кнопки переключает дисплей между режимами отображения "Set Up" (Установка) и "Monitor" (Монитор)).
- Нажмите кнопку "ON/OFF" (Вкл./Выкл.) (1) для отображения текущих настроек простого таймера (ON или OFF). Нажмите кнопку один раз для отображения оставшегося времени до включения, а затем еще раз для отображения времени, оставшегося до выключения. (Индикатор "ON/OFF" отображается в [3]).
  - "ON" – таймер включения: кондиционер начнет работу после прохождения установленного числа часов.
  - "OFF" – таймер отключения: кондиционер прекратит работу после прохождения установленного числа часов.
- Когда в [3] отображается "ON" или "OFF": нажмите соответствующую кнопку настройки времени (1) для установки необходимого числа часов для включения (если отображается "ON") или для выключения (если в [4] отображается "OFF").
  - Доступный диапазон: 1 - 72 часа
- Для настройки времени включения и отключения повторите действия 3 и 4.
  - Помните, что для включения и выключения не может быть установлено одно и то же время.
- Для очистки текущих настроек времени включения и выключения: Отобразите настройки включения или выключения (см. действие 3) и нажмите кнопку проверки (Clear) (10) для очистки настроек в значение "—" (4). (Если нужно использовать только параметр включения или только отключения, убедитесь, что необходимый параметр не имеет значения "—".)

## 6. Таймер

7. После выполнения действия с 3 по 6 нажмите кнопку “Filter” (Фильтр) ← ④ для сохранения значения.

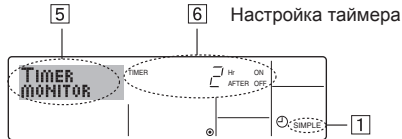
**Примечание:**

Новые настройки будут отменены, если перед кнопкой “Filter” (Фильтр) ← ④ вы нажмете кнопку режима (Return) ②.

8. Нажмите кнопку режима (Return) ② для возврата к стандартному экрану управления.

9. Нажмите кнопку включения/выключения таймера “On/Off” ⑨ для начала работы таймера. Во время работы таймера его значение отображается на дисплее. **Проверьте, что значение таймера отображается, и оно соответствует выполненным настройкам.**

<Отображение текущих настроек простого таймера>



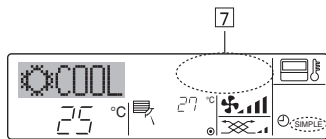
1. Убедитесь, что на экране отображается индикатор простого таймера (1).  
2. Нажмите кнопку таймера “Menu” ⑩, после чего на экране отобразится сообщение “Monitor” (Монитор) (5).

- Если простой таймер будет работать для включения или выключения, его установленное текущее значение отобразится в 6.
- Если были установлены оба значения (“ON” (ВКЛ.) и “OFF” (ВЫКЛ.)), будут отображены оба значения.

3. Нажмите кнопку режима (Return) ② для закрытия индикатора монитора и возврата к стандартному экрану управления.

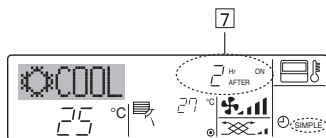
<Для отключения простого таймера отключения>

Нажмите кнопку включения/выключения таймера “On/Off” ⑨, чтобы настройки таймера не отображались на экране (7).



<Для запуска простого таймера>

Нажмите кнопку включения/выключения таймера “On/Off” ⑨, чтобы настройки таймера начали отображаться на экране (7).



### Примеры

Если для простого таймера были установлены значения включения и отключения, действия и информация на дисплее будут подобны показанной далее информации.

#### Пример 1.

Запустите таймер (время включения должно предшествовать времени выключения)

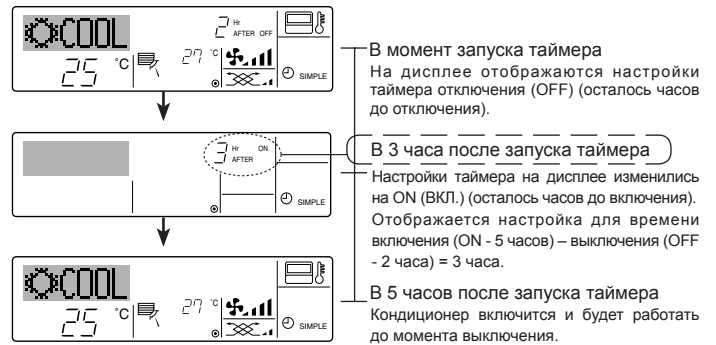
Время включения: 3 часа  
Время выключения: 7 часов



#### Пример 2.

Запустите таймер (время выключения должно предшествовать времени включения)

Время включения: 5 часов  
Время выключения: 2 часа



### 6.1.3. Таймер автоотключения

■ Этот таймер начинает отсчет времени после включения кондиционера и выключает его в указанное в настройках время.

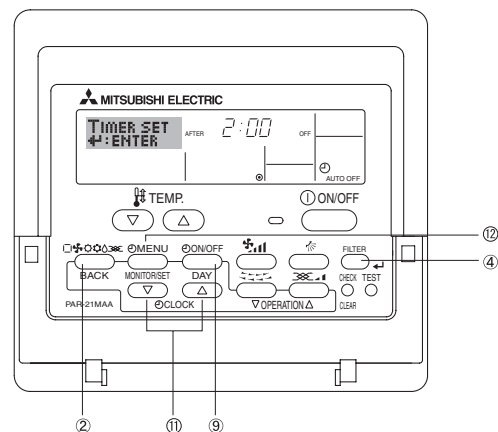
■ Можно установить значения от 30 минут до 4 часов с 30-минутным приращением.

**Примечание:**

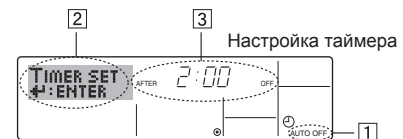
\*1. Таймеры недельный/простой/автоматического отключения не могут использоваться одновременно.

\*2. Таймер автоматического отключения не будет работать в случае наличия следующих условий:

Таймер выключен; система находится в неисправном состоянии; выполняется тест системы; пульт дистанционного управления выполняет процедуру самотестирования или диагностики; пользователь пытается выбрать режим работы; пользователь выполняет настройку таймера; система управляется из центрального пульта управления. (В этих условиях операции включения и отключения запрещены).



<Настройка таймера автоматического выключения>



1. Убедитесь, что отображается стандартный экран управления и индикатор таймера отключения (Auto Off) (1).

В случае отображения индикации, отличной от индикации таймера автоматического отключения (Auto Off Timer), установите ее в “AUTO OFF TIMER”, используя функцию настройки таймера (см. 8.[4]–3 (3)).

2. Удерживайте нажатой кнопку таймера “Menu” ⑩ в течение 3 секунд до появления на экране индикации “Set Up” (Установка) (2). (Помните, что каждое нажатие кнопки переключает дисплей между режимами отображения “Set Up” (Установка) и “Monitor” (Монитор)).

3. Нажмите соответствующую кнопку настройки времени ⑪ для установки времени отключения (3).

4. Нажмите кнопку “Filter” (Фильтр) ← ④ для сохранения настроек.

**Примечание:**

Настройки будут отменены, если перед кнопкой “Filter” (Фильтр) ← ④ вы нажмете кнопку режима (Return) ②.

5. Нажмите кнопку режима (Return) ② для продолжения процедуры настройки и возврата к стандартному экрану управления.

6. Если кондиционер уже работает, таймер начнет немедленный отсчет времени. **Обязательно проверьте правильность настроек, которые должны отобразиться на дисплее.**

## 6. Таймер

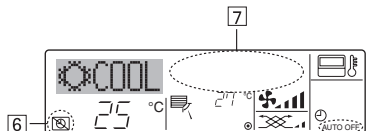
### <Проверка текущих настроек таймера автоматического выключения>



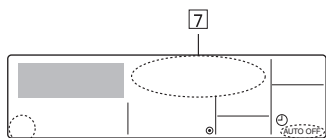
1. Убедитесь, что на экране отображается "Auto Off" (Выкл. автоматический режим) (1).
2. Удерживайте нажатой кнопку таймера "Menu" (2) в течение **3 секунд** до появления на экране индикации "Monitor" (Монитор) (4).
  - Появится сообщение, что таймер отключен (5).
3. Для закрытия монитора и возврата к стандартному экрану управления нажмите кнопку режима (Return) (2).

### <Для отключения таймера автоматического отключения>

- Удерживайте нажатой кнопку включения/выключения таймера "On/Off" (9) в течение **3 секунд**, после чего появится сообщение "Timer Off" (Выкл. таймер) (6), а значение настройки таймера (7) исчезнет.

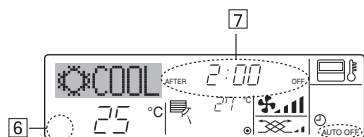


- В качестве альтернативы для этого можно также выключить кондиционер воздуха. Значение настройки таймера (7) исчезнет с экрана.



### <Для включения таймера автоматического выключения>

- Удерживайте нажатой кнопку включения/выключения таймера "On/Off" (9) в течение **3 секунд**. Сообщение "Timer Off" (Выкл. таймер) исчезнет (6), а значение настройки таймера (7) появится на дисплее.
- В качестве альтернативы для этого можно также включить кондиционер воздуха. Значение настройки таймера появится в 7.



## 7. Прочие функции

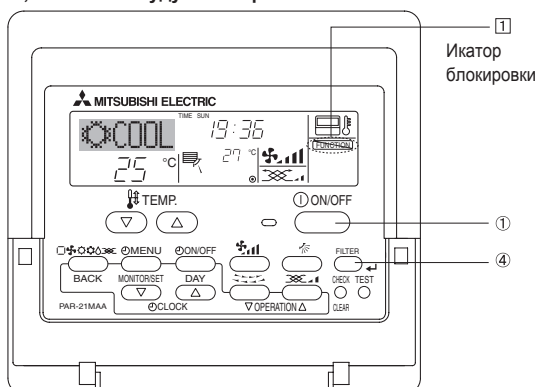
### 7.1. Блокировка кнопок пульта дистанционного управления (ограничение функциональности)

■ По желанию вы можете блокировать кнопки на пульте дистанционного управления. Для выбора типа блокировки можно использовать настройки выбора функций (Function Selection) пульта дистанционного управления. (Дополнительную информацию о выборе типа блокировки см. в пункте [4]-2 (1) раздела 8). В особенности, можно выбрать два следующих типа блокировки:

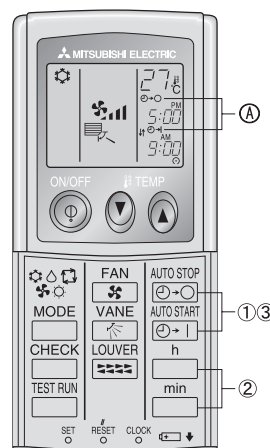
- 1 Блокировка всех кнопок.  
Блокирует все кнопки пульта дистанционного управления.
- 2 Блокировка всех кнопок, кроме "ON/OFF".  
Блокирует все кнопки кроме "ON/OFF" (ВКЛ./ВЫКЛ.).

Примечание:

Индикатор блокировки "Locked" (Блокировано) появляется на экране после того, как кнопки будут блокированы.



### 6.2. Для беспроводного пульта дистанционного управления



- 1 Нажмите кнопку или кнопку (УСТАНОВКА ТАЙМЕРА - TIMER SET).

- Время можно установить, пока мигает следующий символ.

Таймер OFF (Выкл.) : Мигает .

Таймер ON (Вкл.) : Мигает .

- 2 С помощью кнопок и установите желаемое время.

- 3 Отмена таймера.

Для отмены таймера выключения (OFF) нажмите кнопку .

Для отмены таймера включения (ON) нажмите кнопку .

- Вы можете комбинировать таймеры выключения (OFF) и включения (ON).
- Нажатие кнопки 1 ON/OFF (ВКЛ./ВЫКЛ.) на пульте дистанционного управления с целью остановки прибора во время действия режима таймера приведет к отмене таймеров.
- Если не установлено текущее время, использование функции таймера невозможно.

### <Как блокировать кнопки>

1. Удерживая нажатой кнопку "Filter" (Фильтр) (4), нажмите и удерживайте в течение 2 секунд кнопку "ON/OFF" (ВКЛ./ВЫКЛ.) (1). Сообщение "Locked" (Блокировано) появится на экране (1), указывая, что блокировка включена.
  - \* Если функция блокировки была отключена на экране выбора функции (Function Selection), после того, как вы выполните нажатие описанных ранее кнопок, появится сообщение "Not Available" (Недоступно).

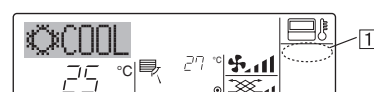


- Если вы нажмете заблокированную кнопку, на дисплее начнет мигать индикатор "Locked" (Блокировано) (1).



### <Как разблокировать кнопки>

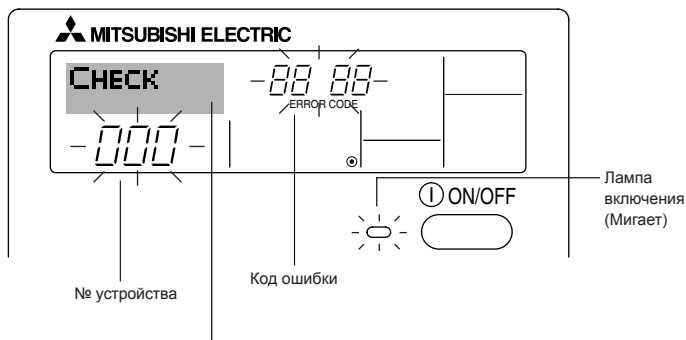
1. Удерживая нажатой кнопку "Filter" (Фильтр) (4), нажмите и удерживайте в течение 2 секунд кнопку "ON/OFF" (ВКЛ./ВЫКЛ.) (1) до исчезновения с экрана сообщения "Locked" (Блокировано) (1).





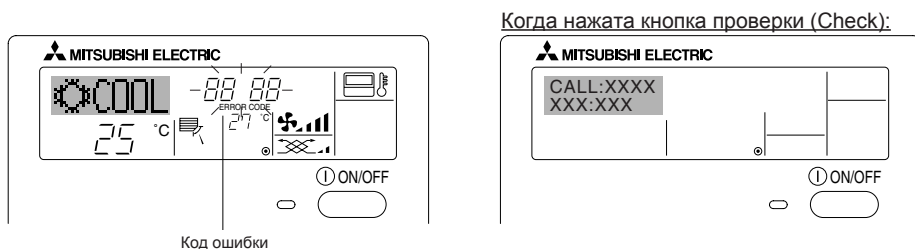
## 7. Прочие функции

### 7.2. Индикация кодов ошибок



Если вы настроили номер телефона вызова в случае возникновения проблем, этот номер будет отображен на экране. (Вы можете выполнить установку номера телефона на экране выбора функции (Function Selection). За дополнительной информацией обратитесь к разделу 8).

- Если одновременно мигают индикатор включения и код ошибки: Это означает, что все операции остановлены, и кондиционер воздуха не работает (невозможно возобновить работу). Запишите номер устройства и код ошибки, затем отключите питание кондиционера и обратитесь к своему поставщику или в обслуживающую организацию.



- Если мигает только код ошибки (лампа включения продолжает гореть): Работа системы продолжается, но в ней возникли неполадки. В этом случае необходимо записать код ошибки и обратиться к своему поставщику или в обслуживающую организацию за помощью.

\* Если вы настроили номер телефона вызова обслуживающей организации в случае возникновения проблем, нажмите кнопку "Check" (Проверка) для отображения на экране этого номера. (Вы можете выполнить установку номера телефона на экране выбора функции (Function Selection). За дополнительной информацией обратитесь к разделу 8).

## 8. Выбор функции

### Выбор функции с помощью пульта дистанционного управления

В режиме выбора функции с помощью пульта дистанционного управления можно настраивать нижеприведенные функции. При необходимости измените настройку.

Пункт 1	Пункт 2	Пункт 3 (Описание настройки)
1. Выбор языка ("CHANGE LANGUAGE")	Выбор языка отображения	• Возможен вариант индикации на разных языках
2. Ограничение функций ("Выбор функции")	(1) Настройка ограничений рабочей функции (блокировка режима работы) ("функция блокировки")	• Настройка диапазона ограничения режима работы (блокировка режима работы)
	(2) Использование настройки автоматического режима ("Выбор режима АВТО")	• Настройка включения или отключения "автоматического" режима работы
	(3) Настройка ограничения диапазона температуры ("Ограничение чст. темерат")	• Настройка регулируемого диапазона температуры (максимум, минимум)
3. Выбор режима ("Выбор режима")	(1) Настройка пульта дистанционного управления (основной/ дополнительный) ("Основной пульт/дополнительн пульт")	• Выбор основного или подчиненного пульта дистанционного управления * При подключении двух пультов дистанционного управления к одной группе один из пультов необходимо настроить как дополнительный.
	(2) Использование настройки часов ("часы")	• Настройка включения или отключения функции часов
	(3) Настройка функции таймера ("Недельныйтаймера")	• Настройка типа таймера
	(4) Настройка номера контакта при возникновении ошибки("CALL.")	• Индикация номера контакта в случае возникновения ошибки • Настройка номера телефона
4. Изменение индикации ("Настройка индрежима")	(1) Настройка индикации температуры (°C/°F) ("Един. темпер. °C/°F")	• Настройка индикации единиц измерения температуры (°C или °F)
	(2) Настройка индикации температуры всасываемого воздуха ("Показывать темп. в комн.")	• Настройка включения или отключения индикации температуры воздуха (всасываемого) в помещении
	(3) Настройка индикации режима автоматического охлаждения/обогрева ("Ннд. Т/Х в режиме АВТО")	• Настройка включения или отключения отображения индикации "Охлаждение" или "Обогрев" при автоматическом режиме работы



# 8. Выбор функции

## [Схема выбора функции]

Настройка языка (Английский)

Нормальный режим индикации (индикация, отображаемая при выключенном кондиционере)

Удерживая нажатой кнопку (E), нажмите кнопку (D) и удерживайте ее две секунды.

Удерживая нажатой кнопку (E), нажмите кнопку (D) и удерживайте ее две секунды.

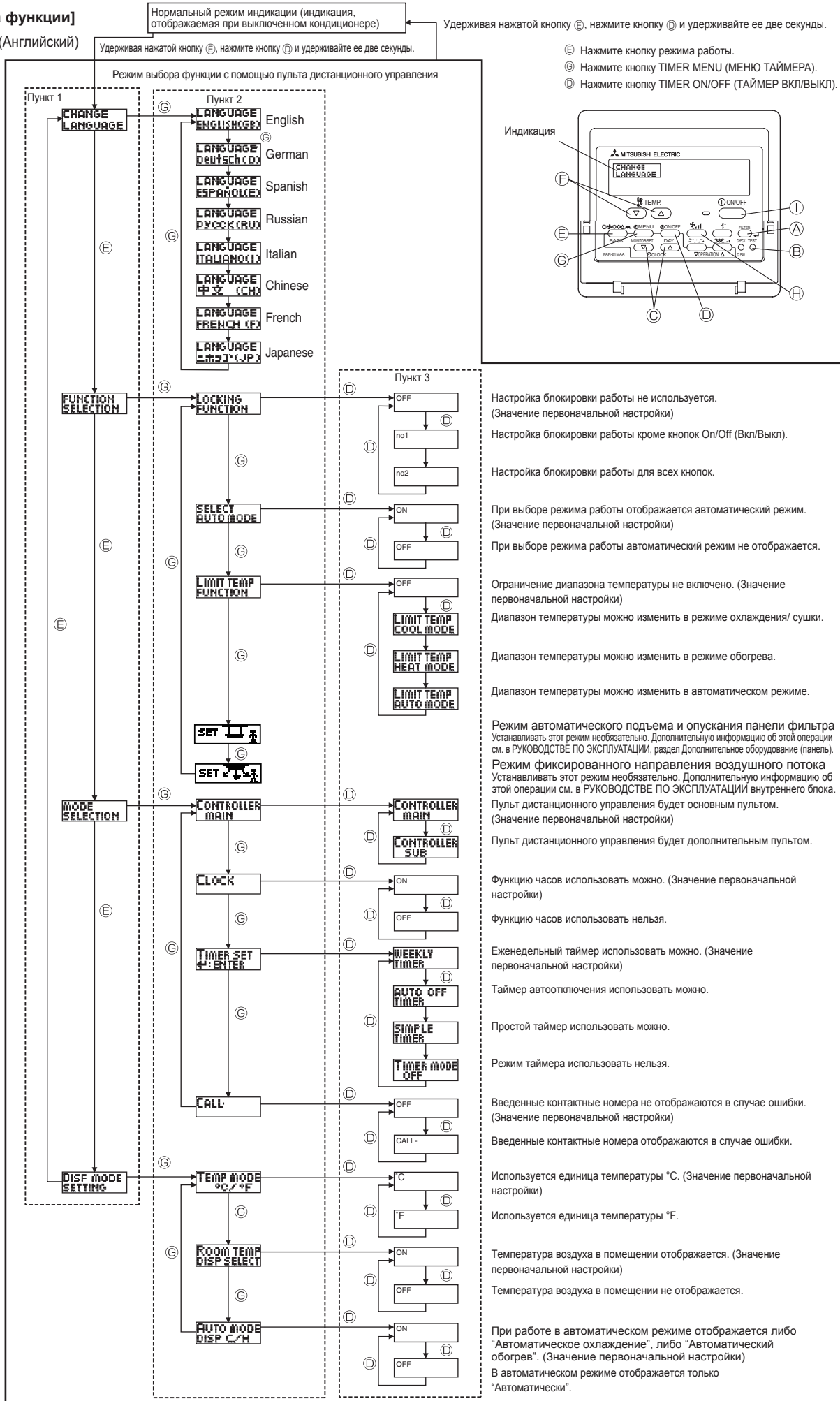
Режим выбора функции с помощью пульта дистанционного управления

Выбор языка

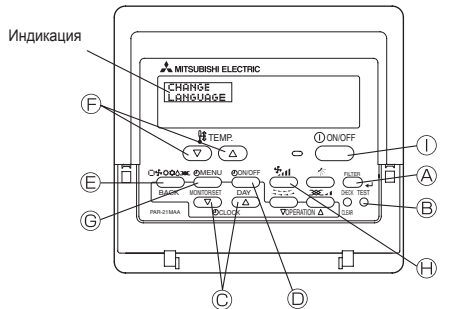
Выбор функции

Выбор режима

Настройка индрежима



- (E) Нажмите кнопку режима работы.
- (G) Нажмите кнопку TIMER MENU (МЕНЮ ТАЙМЕРА).
- (D) Нажмите кнопку TIMER ON/OFF (ТАЙМЕР ВКЛ/ВЫКЛ).



- Настройка блокировки работы не используется. (Значение первоначальной настройки)
- Настройка блокировки работы кроме кнопок On/Off (Вкл/Выкл).
- Настройка блокировки работы для всех кнопок.
- При выборе режима работы отображается автоматический режим. (Значение первоначальной настройки)
- При выборе режима работы автоматический режим не отображается.
- Ограничение диапазона температуры не включено. (Значение первоначальной настройки)
- Диапазон температуры можно изменить в режиме охлаждения/сушки.
- Диапазон температуры можно изменить в режиме обогрева.
- Диапазон температуры можно изменить в автоматическом режиме.
- Режим автоматического подъема и опускания панели фильтра  
Устанавливать этот режим необязательно. Дополнительную информацию об этой операции см. в РУКОВОДСТВЕ ПО ЭКСПЛУАТАЦИИ, раздел Дополнительное оборудование (панель).
- Режим фиксированного направления воздушного потока  
Устанавливать этот режим необязательно. Дополнительную информацию об этой операции см. в РУКОВОДСТВЕ ПО ЭКСПЛУАТАЦИИ внутреннего блока.  
Пульт дистанционного управления будет основным пультом. (Значение первоначальной настройки)
- Пульт дистанционного управления будет дополнительным пультом.
- Функцию часов использовать можно. (Значение первоначальной настройки)
- Функцию часов использовать нельзя.
- Еженедельный таймер использовать можно. (Значение первоначальной настройки)
- Таймер автоотключения использовать можно.
- Простой таймер использовать можно.
- Режим таймера использовать нельзя.
- Введенные контактные номера не отображаются в случае ошибки. (Значение первоначальной настройки)
- Введенные контактные номера отображаются в случае ошибки.
- Используется единица температуры °C. (Значение первоначальной настройки)
- Используется единица температуры °F.
- Температура воздуха в помещении отображается. (Значение первоначальной настройки)
- Температура воздуха в помещении не отображается.
- При работе в автоматическом режиме отображается либо "Автоматическое охлаждение", либо "Автоматический обогрев". (Значение первоначальной настройки)
- В автоматическом режиме отображается только "Автоматический".

## 8. Выбор функции

### [Детальная настройка]

#### [4]-1 Настройка CHANGE LANGUAGE (выбор языка)

Можно выбрать язык, на котором отображаются индикации на дисплее.

- Нажмите кнопку [⊖ MENU] ⊕, чтобы выбрать язык.
  - ① Английский (GB), ② Немецкий (D), ③ Испанский (E), ④ Русский (RU), ⑤ Итальянский (I), ⑥ Китайский (CH), ⑦ Французский (F), ⑧ Японский (JP)

См. таблицу точечного дисплея.

#### [4]-2 Ограничение функций

##### (1) Настройка ограничений рабочей функции (блокировка режима работы)

- Чтобы включить настройку, нажмите кнопку [⊖ ON/OFF] ⊕.
  - ① po1: Настройка блокировки режима работы осуществляется всеми кнопками, кроме кнопки [⊖ ON/OFF].
  - ② po2: Настройка блокировки режима работы осуществляется всеми кнопками.
  - ③ OFF (Исходное значение настройки) :  
Настройка блокировки режима работы не осуществляется.
- \* Чтобы установить правильную настройку блокировки режима работы в нормальном режиме индикации экрана, необходимо нажать следующие кнопки (одновременно нажмите кнопки [FILTER] и [⊖ ON/OFF] и удерживайте их в течение двух секунд) в нормальном режиме индикации экрана после выполнения настройки, упомянутой выше.

##### (2) Использование настройки автоматического режима

Если пульт дистанционного управления подключен к блоку, который работает в автоматическом режиме, можно выполнить следующие настройки.

- Чтобы включить настройку, нажмите кнопку [⊖ ON/OFF] ⊕.
  - ① ON (Исходное значение настройки) :  
Индикация автоматического режима отображается, если выбран режим работы.
  - ② OFF:  
Индикация автоматического режима не отображается, если выбран режим работы.

##### (3) Настройка ограничения диапазона температуры

После выполнения настройки можно изменить значение температуры в пределах установленного диапазона.

- Чтобы включить настройку, нажмите кнопку [⊖ ON/OFF] ⊕.
  - ① Ограничено охлаждение:  
Диапазон температуры можно изменить в режиме охлаждения/сушки.
  - ② Ограничен обогрев:  
Диапазон температуры можно изменить в режиме обогрева.
  - ③ Ограничен режим АВТО:  
Диапазон температуры можно изменить в автоматическом режиме.
  - ④ OFF (исходная настройка) :  
ограничение диапазона температуры выключено.
- \* Если установлено значение кроме OFF (выкл.), одновременно выполняется настройка ограничения диапазона температуры в режимах охлаждения и обогрева, а также в автоматическом режиме. Тем не менее, диапазон невозможно ограничить, если установленный диапазон температуры не изменялся.
- Чтобы повысить или понизить температуру, нажмите кнопку [TEMP. (▽) и (Δ)] ⊕.
- Чтобы включить настройки верхнего и нижнего пределов, нажмите кнопку [TEMP. (▽) и (Δ)] ⊕. Выбранный параметр мигает, можно установить температуру.
- Устанавливаемый диапазон  
Режим охлаждения/сушки:  
Нижний предел: от 19°C до 30°C Верхний предел: от 30°C до 19°C  
Режим обогрева:  
Нижний предел: от 17°C до 28°C Верхний предел: от 28°C до 17°C  
Автоматический режим:  
Нижний предел: от 19°C до 28°C Верхний предел: от 28°C до 19°C

#### [4]-3 Настройка выбора режима

##### (1) Настройка пульта дистанционного управления (основной/дополнительный)

- Чтобы включить настройку, нажмите кнопку [⊖ ON/OFF] ⊕.
  - ① Основной: контроллер будет установлен как основной.
  - ② Дополнительный: контроллер будет установлен как дополнительный.

##### (2) Использование настройки часов

- Чтобы включить настройку, нажмите кнопку [⊖ ON/OFF] ⊕.
  - ① ON: Можно использовать функцию часов.
  - ② OFF: Функция часов использовать невозможно.

##### (3) Настройка функции таймера

- Чтобы включить настройку, нажмите кнопку [⊖ ON/OFF] ⊕ (Выберите одну из настроек, приведенных ниже).
  - ① Недельный таймер (Исходное значение настройки):  
Можно использовать еженедельный таймер.
  - ② АВТО от пчочу. по таймеру :  
Можно использовать таймер автоотключения.
  - ③ Простой таймер:  
Можно использовать обычный таймер.
  - ④ Таймер выкл.:  
Режим таймера использовать невозможно.
- \* Если настройка часов имеет значение OFF, "Недельный таймер" использовать невозможно.

##### (4) Настройка номера контакта при возникновении ошибки

- Чтобы включить настройку, нажмите кнопку [⊖ ON/OFF] ⊕.
  - ① CALL OFF:  
В случае ошибки настроенные контактные номера не отображаются.
  - ② CALL \*\*\*\* \* \* \* \* \*:  
В случае ошибки настроенные контактные номера отображаются.  
CALL :  
Контактный номер можно задать, если дисплей выглядит как показано выше.
- Настройка контактных номеров  
Для настройки контактных номеров следуйте перечисленным процедурам. Перемещайте мигающий курсор, чтобы вводить цифры. Нажмите кнопку [TEMP. (▽) и (Δ)] F для перемещения курсора вправо (влево). Нажмите кнопку [CLOCK (▽) and (Δ)] C для настройки номеров.

#### [4]-4 Настройка изменения индикации

##### (1) Настройка индикации температуры (°C/°F)

- Чтобы включить настройку, нажмите кнопку [⊖ ON/OFF] ⊕.
  - ① °C: Используемая единица измерения температуры - °C.
  - ② °F: Используемая единица измерения температуры - °F.

##### (2) Настройка индикации температуры в помещении

- Чтобы включить настройку, нажмите кнопку [⊖ ON/OFF] ⊕.
  - ① ON: Температура всасываемого воздуха отображается.
  - ② OFF: Температура всасываемого воздуха не отображается.

##### (3) Настройка индикации режима автоматического охлаждения/обогрева

- Чтобы включить настройку, нажмите кнопку [⊖ ON/OFF] ⊕.
  - ① ON:  
При работе в автоматическом режиме отображается либо "Автоматическое охлаждение", либо "Автоматический обогрев".
  - ② OFF:  
В автоматическом режиме отображается только "Автоматический".

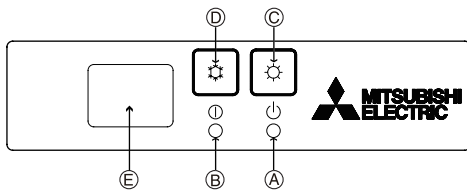
## 8. Выбор функции

[Таблица точечного дисплея]

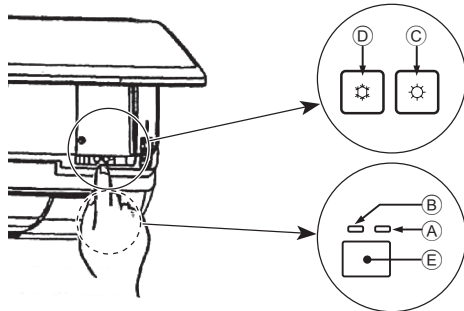
Настройка языка		English	German	Spanish	Russian	Italian	Chinese	French	Japanese
Ожидание запуска		PLEASE WAIT	←	←	←	←	←	←	←
Режим работы	Режим охлаждения	COOL	Kühlen	FRÍO	Холод	COOL	制冷	FROID	冷房
	Режим сушки	DRY	Trocknen	DESHUMIDIFICACION	Сушка	DRY	除湿	DESHU	ドライ
	Режим отопления	HEAT	Heizen	CALOR	Тепло	HEAT	制热	CHAUD	暖房
	Автоматический режим	AUTO	AUTO	AUTOMÁTICO	Авто	AUTO	自动	AUTO	自動
	Автоматический режим (охлаждение)	COOL	Kühlen	FRÍO	Холод	COOL	制冷	FROID	冷房
	Автоматический режим (отопление)	HEAT	Heizen	CALOR	Тепло	HEAT	制热	CHAUD	暖房
	Режим вентилятора	FAN	Lüfter	VENTILACION	Вент	VENTILAZIONE	送风	VENTILATION	送風
	Вентиляция	VENTILATION	Gelüftebetrieb	VENTILACION	ВЕНТИЛЯЦИЯ	ARIA ESTERNA	换气	VENTILATION	換気
Ожидание (Горячая настройка)	STAND BY	STAND BY	CALENTANDO	ОБОГРЕВ: ПАУЗА	STAND BY	准备中	PRE CHAUFFAGE	準備中	
Оттаивание	DEFROST	Abtauen	DESCONGELACION	ОТТАИВАНИЕ	SGRINAMENTO	除霜中	DEGIVRAGE	霜取中	
Заданная температура	SET TEMP	TEMP einstellen	TEMP. CONSIGNA	ЦЕЛЕВАЯ ТЕМПЕРАТУРА	IMPOSTAZIONE TEMPERATURA	设定温度	REGLAGE TEMPERATURE	設定温度	
Скорость вентилятора	FAN SPEED	Lüfterseschwindigkeit	VELOCIDAD VENTILADOR	СКОРОСТЬ ВЕНТИЛЯТОРА	VELOCITA' VENTILATURE	风速	VITESSE DE VENTILATION	風速	
Кнопка не используется	NOT AVAILABLE	Nicht verfügbar	NO DISPONIBLE	НЕ ДОСТУПНО	NON DISPONIBILE	无效按钮	NON DISPONIBLE	無効ボタン	
Проверка (ошибка)	CHECK	Prüfen	COMPROBAR	ПРОВЕРКА	CHECK	検査	CONTROLE	点検	
Тестовый запуск	TEST RUN	Testbetrieb	TEST FUNCIONAMIENTO	ТЕСТОВЫЙ ЗАПУСК	TEST RUN	试运行	TEST	試運転	
Самодиагностика	SELF CHECK	Selbst-diagnose	AUTO REVISION	САМОДИАГНОСТИКА	SELF CHECK	自我诊断	AUTO CONTROLE	自己診断	
Выбор функции прибора	FUNCTION SELECTION	Funktion Auswahl	SELECCIÓN DE FUNCION	ВЫБОР ФУНКЦИИ	SELEZIONE FUNZIONI	功能选择	SELECTION FONCTIONS	メニュー選択	
Настройка вентиляции	SETTING OF VENTILATION	Lüfterstufen wählen	CONFIG. VENTILACION	НАСТРОЙКА ВЕНТИЛЯЦИИ	IMPOSTAZIONE ARIA ESTERNA	换气设定	SELECTION VENTILATION	換気設定	

Настройка языка		English	German	Spanish	Russian	Italian	Chinese	French	Japanese
Выбор языка	CHANGE LANGUAGE	←	←	←	←	←	←	←	←
Выбор функции	FUNCTION SELECTION	Funktion auswählen	SELECCIÓN DE FUNCIONES	ВЫБОР ФУНКЦИИ	SELEZIONE FUNZIONI	功能限制	SELECTION FONCTIONS	メニュー制限	
Настройка ограничения рабочей функции	LOCKING FUNCTION	Sperre - Funktion	FUNCION BLOQUEADA	ФУНКЦИЯ БЛОКИРОВКИ	BLOCCO FUNZIONI	操作限制	BLOCCAGE FONCTIONS	操作ロック	
Использование настройки автоматического режима	SELECT AUTO MODE	Auswahl auto Betrieb	SELECCIÓN MODO AUTO	ВЫБОР РЕЖИМА АВТО	SELEZIONE MODO AUTO	自动模式	SELECTION DU MODO AUTO	自動モード	
Настройка ограничения температурного диапазона	LIMIT TEMP FUNCTION	Limit Temp Funktion	LIMIT TEMP CONSIGNA	ОГРАНИЧЕНИЕ УСТ.ТЕМПЕРАТ	LIMITAZIONE TEMPERATURA	温度限制	LIMITATION TEMPERATURE	温度制限	
Ограничение температуры охлаждения/дневного режима	LIMIT TEMP COOL MODE	Limit Kühl Temp	LIMIT TEMP MODO FRIO	ОГРАНИЧЕНИЕ ОХЛАЖДЕНИЯ	LIMITAZIONE MODO COOL	制冷范围	LIMITE TEMP MODO FROID	制冷冷房	
Ограничение температуры режима обогрева	LIMIT TEMP HEAT MODE	Limit Heiz Temp	LIMIT TEMP MODO CALOR	ОГРАНИЧЕН ОБОГРЕВ	LIMITAZIONE MODO HEAT	制热范围	LIMITE TEMP MODO CHAUD	制热暖房	
Ограничение температуры автоматического режима	LIMIT TEMP AUTO MODE	Limit Auto Temp	LIMIT TEMP MODO AUTO	ОГРАНИЧЕН РЕЖИМ АВТО	LIMITAZIONE MODO AUTO	自动范围	LIMITE TEMP MODO AUTO	制自动	
Выбор режима	MODE SELECTION	Betriebsart wählen	SELECCIÓN DE MODO	ВЫБОР РЕЖИМА	SELEZIONE MODO	基本模式	SELECTION DU MODO	基本メニュー	
Пульт дистанционного управления настроен как ОСНОВНОЙ	CONTROLLER MAIN	Haupt controller	CONTROL PRINCIPAL	ОСНОВНОЙ ПУЛЬТ	CONTROLLO MAIN	遥控主	TELCOMMANDE MAITRE	リモコン 主機	
Пульт дистанционного управления настроен как ДОПОЛНИТЕЛЬНЫЙ	CONTROLLER SUB	Neben controller	CONTROL SECUNDARIO	ДОПОЛНИТЕЛЬНЫЙ ПУЛЬТ	CONTROLLO SUB	遥控辅	TELCOMMANDE ESCLAVE	リモコン 主副	
Использование настройки часов	CLOCK	Uhr	RELOJ	ЧАСЫ	OROLOGIO	时钟	AFFICHAGE HORLOGE	時計 ヨウツ	
Установка дня недели и времени	TIME SET +/-ENTER	Uhr stellen +/-einstellen	CONFIG RELOJ +/-CONFIG	ЧАСЫ:УСТ. +/-ВВОД	OROLOGIO +/-ENTER	时间 +/-ENTER	HORLOGE +/-ENTRER	トクイ センテイ +/-: カクテイ	
Установка таймера	TIMER SET +/-ENTER	Zeitschaltuhr +/-einstellen	TEMPORIZA -DOR +/-CONFIG	ТАЙМЕР:УСТ. +/-ВВОД	TIMER +/-ENTER	定时器 +/-ENTER	PROG HORAIRE +/-ENTRER	タイマー-センテイ +/-: カクテイ	
Монитор таймера	TIMER MONITOR	Uhrzeit Anzeige	VISUALIZAR TEMPORIZAD.	ПРОСМОТР ТАЙМЕРА	VISUALIZ TIMER	定时器状态	AFFICHAGE PROG HORAIRE	タイマー-モニター	
Еженедельный таймер	WEEKLY TIMER	Wochenzeit schalt Uhr	TEMPORIZA -DOR SEMANAL	НЕДЕЛЬНЫЙ ТАЙМЕР	TIMER SETTIMANALE	每周定时器	PROG NEEUDO MAIDAIRE	タイマー-週間	
Режим таймера выключен	TIMER MODE OFF	Zeitschaltuhr AUS	TEMPORIZA -DOR APAGADO	ТАЙМЕР ВЫКЛ.	TIMER OFF	定时器无效	PROG HORAIRE INACTIF	タイマー-無効	
Таймер автоотключения	AUTO OFF TIMER	AUTO Zeit funktion AUS	APAGADO AUTOMÁTICO	АВТООТКЛЮЧ. ПО ТАЙМЕРУ	AUTO OFF TIMER	解除定时	PROG HORAIRE ARRET AUTO	タイマー-オフオッソ	
Простой таймер	SIMPLE TIMER	Einfache Zeitfunktion	TEMPORIZA -DOR SIMPLE	ПРОСТОЙ ТАЙМЕР	TIMER SEMPLIFICATO	简易定时器	PROG HORAIRE SIMPLIFIE	タイマー-カンイ	
Ввод контактного номера в случае ошибки	CALL	←	←	←	←	←	←	←	
Изменение дисплея	DISP MODE SETTING	Anzeige Betriebsart	MOSTRAR MODO	НАСТРОЙКА ИНА РЕЖИМА	IMPOSTAZIONE MODO DISPLAY	转换表示	AFFICHAGE SOUS MENU	表示切替	
Настройка дисплея температуры °C/°F	TEMP MODE °C/°F	Wechsel °C/°F	TEMP GRADOS °C/°F	ЕДИН.ТЕМПЕРА °C/°F	TEMPERATURA °C/°F	温度 °C/°F	TEMPERATURE °C/°F	温度 °C/°F	
Настройка дисплея температуры воздуха в помещении	ROOM TEMP DISP SELECT	Raum Temp zeWählt	MOSTRAR TEMP	ПОКАЗЫВАТЬ ТЕМП.В КОМН.	TEMPERATURA AMBIENTE	吸入温度	TEMPERATURE AMBIANTE	スィコンボイ ヨウツ	
Настройка дисплея автоматического охлаждения/обогрева	AUTO MODE DISP C/H	Auto Betrieb C/H	MOSTRAR F/C EN AUTO	ИНА.Т/°X В РЕЖИМЕ АВТО	AUTO C/H	自动表示	AFFICHAGE AUTO F/C	自動表示 ヨウツ	

## 9. Работа пульта дистанционного управления в аварийном режиме



(Для PKFY-P-VHM-E)



Если пульт дистанционного управления использовать нельзя  
Если батарейки пульта дистанционного управления разрядились или в нем имеется неисправность, аварийный режим можно включить с помощью аварийных кнопок.

- Ⓐ Лампа DEFROST/STAND BY (РАЗМОРАЖИВАНИЕ/ОЖИДАНИЕ)
- Ⓑ Лампа работы
- Ⓒ Переключатель аварийной работы (обогрев)
- Ⓓ Переключатель аварийной работы (охлаждение)
- Ⓔ Приемник

Начало работы

- Чтобы включить режим охлаждения, нажмите и удерживайте кнопку Ⓒ более 2 секунд.
- Чтобы включить режим обогрева, нажмите и удерживайте кнопку Ⓓ более 2 секунд.

Примечание:

- Подробности аварийного режима приводятся ниже.

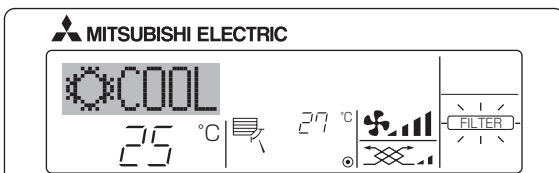
Подробности АВАРИЙНОГО РЕЖИМА приводятся ниже.

Рабочий режим	Режим охлаждения	Режим отопления
Настройка температуры	24°C	24°C
Скорость вентилятора	Высокая	Высокая
Направление воздушного потока	Горизонтальное	Вниз 4 (5)

Останов работы

- Для останова работы нажмите кнопку Ⓒ или кнопку Ⓓ более 2 секунд.

## 10. Уход и чистка



- Указывает на необходимость очистки фильтра. Очистите фильтр.

- Для сброса индикации "FILTER" (фильтр) Если кнопку [FILTER] (фильтр) нажать быстро дважды после чистки фильтра, данная индикация погаснет, и функция вернется в исходное состояние.

Примечание:

- Если с пульта дистанционного управления осуществляется управление двумя или более внутренними блоками, срок действия фильтра определяется его типом. Индикация "FILTER" (фильтр) появляется на дисплее в случае необходимости очистки фильтра на главном внутреннем блоке. Когда индикация фильтра гаснет на дисплее, функция восстанавливает кумулятивное время замены фильтра.
- Индикация "FILTER" (фильтр) указывает на необходимость очистки фильтра после истечения определенного заданного срока его использования в нормальных условиях эксплуатации внутри помещения. Однако, ввиду того, что степень загрязненности фильтра определяется конкретными условиями эксплуатации, необходимо производить очистку фильтра с учетом данного фактора.
- Кумулятивный срок действия фильтра зависит от модели кондиционера.
- Данная индикация недоступна для пульта дистанционного управления.

▶ Чистка фильтров

- Проводите чистку фильтров с использованием пылесоса. При отсутствии пылесоса, легким постукиванием фильтра о твердый предмет стряхните с него грязь или пыль.
- Если фильтры сильно загрязнены, промойте их в теплой воде. Тщательно смойте остатки моющего средства и полностью просушите фильтры перед их обратной установкой в прибор.

⚠ Осторожно:

- Не сушите фильтры под прямыми солнечными лучами или с использованием источника отопления, такого как электрообогревателя: это может привести к деформации фильтров.
- Не промывайте фильтры в горячей воде (выше 50°C), так как это может привести к их деформации.
- Не забывайте устанавливать фильтры на место. Эксплуатация прибора без фильтров воздуха может привести к его поломке.

⚠ Осторожно:

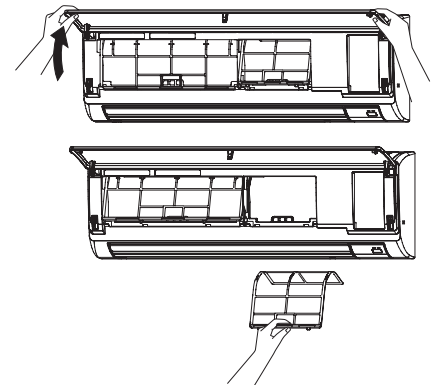
- Прежде чем начать чистку, остановите работу прибора и отключите подачу электропитания.
- Внутренние приборы оборудованы фильтрами для удаления пыли из засасываемого воздуха. Прочищайте фильтры с помощью методов, обозначенных на рисунках ниже.

▶ Снятие фильтра

⚠ Осторожно:

- При удалении фильтра необходимо соблюдать меры предосторожности для защиты глаз от пыли. Также если для выполнения этой работы необходимо встать на стул, соблюдайте осторожность, чтобы не упасть с него.
- После снятия фильтра не затрагивайте до металлических частей внутри наружного блока, несоблюдение данного правила может привести к травме.

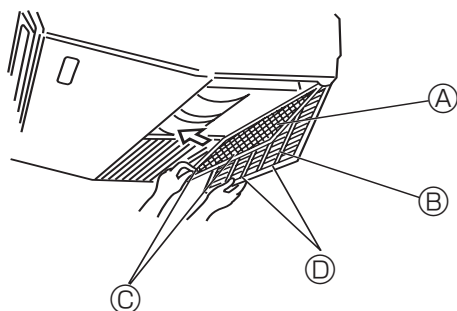
- PKFY-P-VBM-E  
PKFY-P-VHM-E



- ① Потяните оба нижние угла воздухозаборной решетки, чтобы открыть ее, затем поднимите фильтр.

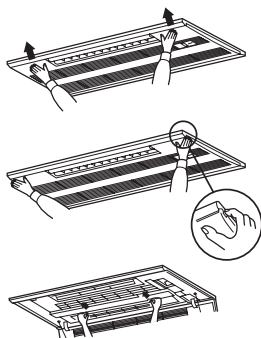
## 10. Уход и чистка

### ■ PCFY-P-VKM-E



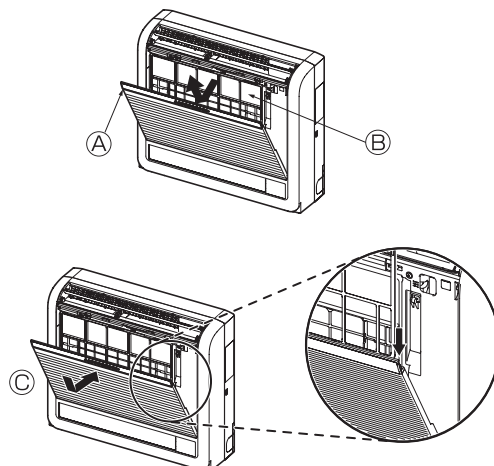
- ① Откройте воздухозаборную решетку.
  - ② Удерживайте ручьятку фильтра, затем потяните его вверх в направлении стрелки. При установке фильтра после чистки убедитесь, что он вставлен достаточно глубоко - до стопора.
- А Фильтр В Воздухозаборная решетка С Ручьятка Д Стопор

### ■ PMFY-P-VBM-E



- ① Нажатие кнопки PUSH на внешней стороне воздухозаборной решетки приводит к открытию воздухозаборной решетки.
- ② Фильтр, на котором располагается воздухозаборная решетка может быть удален при помощи потягивания фильтра вперед.

### ■ PFFY-P-VKM-E(2)



- ① Снимите катехиновый воздушный фильтр.
- А Откройте переднюю решетку  
В Катехиновый воздушный фильтр

#### ⚠ Осторожно:

При снятии катехинового воздушного фильтра не прикасайтесь к металлическим деталям внутреннего прибора. Это может привести к травме.

- ② Установите катехиновый воздушный фильтр на место. Обязательно вставьте оба конца в фиксаторы, как показано.
- ③ Установите на место.
- ③ Плотно закройте переднюю решетку.



## 11. Исправление неполадок

Возникла проблема?	Вот решение. (Прибор работает нормально.)
Кондиционер не обеспечивает должный обогрев или охлаждение.	<ul style="list-style-type: none"> <li>■ Очистите фильтр. (При загрязнении или закупорке фильтра поток воздуха уменьшается.)</li> <li>■ Проверьте регулировку температуры и отрегулируйте заданную температуру.</li> <li>■ Убедитесь, что вокруг наружного прибора достаточно места. Не заблокирован ли выпуск или выпуск воздуха?</li> <li>■ Не оставлена ли открытой дверь или окно?</li> </ul>
При начале работы в режиме обогрева теплый воздух из внутреннего прибора поступает через некоторое время.	<ul style="list-style-type: none"> <li>■ Теплый воздух не поступает до тех пор, пока внутренний прибор не прогреется до достаточной степени.</li> </ul>
В режиме обогрева кондиционер останавливается до достижения заданной температуры в помещении.	<ul style="list-style-type: none"> <li>■ Если температура наружного воздуха низка, а влажность высокая, на наружном приборе может образоваться изморозь. Если это произойдет, наружный прибор работает в режиме размораживания. Обычная работа должна возобновиться примерно через 10 минут.</li> </ul>
Направление потока воздуха изменяется при работе или направление потока воздуха нельзя задать.	<ul style="list-style-type: none"> <li>■ В режиме охлаждения лопатки автоматически перемещаются в горизонтальное (вниз) положение после 1 часа, если выбрано направление потока воздуха вниз (горизонтально). Это необходимо для предотвращения образования воды и падения капель с лопаток.</li> <li>■ В режиме обогрева лопатки автоматически перемещаются в направление горизонтального потока воздуха, когда температура потока воздуха низкая, или в режиме размораживания.</li> </ul>
При изменении направления воздушного потока, лопатки всегда двигаются вверх и вниз, проходя через заданное положение, перед тем, как полностью остановиться в положении.	<ul style="list-style-type: none"> <li>■ При изменении направления воздушного потока лопатки перемещаются в заданное положение после определения базового положения.</li> </ul>
Слышен звук текущей воды или время от времени шипящий звук.	<ul style="list-style-type: none"> <li>■ Эти звуки могут быть слышны, когда в кондиционере течет хладагент, или при изменении потока хладагента.</li> </ul>
Слышен треск или скрип.	<ul style="list-style-type: none"> <li>■ Эти звуки могут быть слышны при трении деталей друг о друга по причине расширения и сжатия из-за изменений температуры.</li> </ul>
В помещении неприятный запах.	<ul style="list-style-type: none"> <li>■ Внутренний прибор всасывает воздух с газами, исходящими из стен, ковровых настилов, мебели, а также запаха одежды, затем выдувает этот воздух обратно в помещение.</li> </ul>
Из внутреннего прибора выходит белая дымка или пар.	<ul style="list-style-type: none"> <li>■ Если температура в помещении и влажность высокие, такое явление может наблюдаться при начале работы.</li> <li>■ В режиме размораживания может подаваться холодный воздушный поток, который может казаться дымкой.</li> </ul>
Из наружного прибора выходит вода или пар.	<ul style="list-style-type: none"> <li>■ В режиме охлаждения вода может образовываться и капать с холодных труб и стыков.</li> <li>■ В режиме обогрева вода может образовываться и капать с теплообменника.</li> <li>■ В режиме размораживания вода на теплообменнике испаряется, и может появиться водяной пар.</li> </ul>
Индикатор работы не появляется на дисплее пульта дистанционного управления.	<ul style="list-style-type: none"> <li>■ Включите питание. На дисплее пульта дистанционного управления появится "●".</li> </ul>
Кондиционер не работает даже после нажатия кнопки ON/OFF (ВКЛ./ВЫКЛ.). Окно режима работы на пульте дистанционного управления гаснет.	<ul style="list-style-type: none"> <li>■ Переключатель питания на внутреннем устройстве выключен? Включите переключатель питания.</li> </ul>
На дисплее пульта дистанционного управления отображается "❏".	<ul style="list-style-type: none"> <li>■ При центральном управлении на пульте дистанционного управления появляется "❏", и запустить или остановить работу кондиционера с пульта дистанционного управления нельзя.</li> </ul>
При перезапуске кондиционера вскоре после его останова он не работает, несмотря на нажатие кнопки ON/OFF (ВКЛ./ВЫКЛ.).	<ul style="list-style-type: none"> <li>■ Подождите примерно три минуты. (Работа остановилась для защиты кондиционера.)</li> </ul>
Кондиционер работает без нажатия кнопки ON/OFF (ВКЛ./ВЫКЛ.).	<ul style="list-style-type: none"> <li>■ Не установлен ли таймер включения? Нажмите кнопку ON/OFF (ВКЛ./ВЫКЛ.) для останова работы.</li> <li>■ Не подключен ли кондиционер к центральному пульту дистанционного управления? Проконсультируйтесь с людьми, управляющими кондиционером.</li> <li>■ Не отображается ли "❏" на дисплее пульта дистанционного управления? Проконсультируйтесь с людьми, управляющими кондиционером.</li> <li>■ Не задана ли функция автоматического восстановления после сбоя электропитания? Нажмите кнопку ON/OFF (ВКЛ./ВЫКЛ.) для останова работы.</li> </ul>
Кондиционер останавливается без нажатия кнопки ON/OFF (ВКЛ./ВЫКЛ.).	<ul style="list-style-type: none"> <li>■ Не установлен ли таймер отключения? Нажмите кнопку ON/OFF (ВКЛ./ВЫКЛ.) для перезапуска работы.</li> <li>■ Не подключен ли кондиционер к центральному пульту дистанционного управления? Проконсультируйтесь с людьми, управляющими кондиционером.</li> <li>■ Не отображается ли "❏" на дисплее пульта дистанционного управления? Проконсультируйтесь с людьми, управляющими кондиционером.</li> </ul>
Невозможно задать работу по таймеру с пульта дистанционного управления.	<ul style="list-style-type: none"> <li>■ Действительны ли настройки таймера? Если таймер можно задать, на дисплее пульта дистанционного управления отображается (WEEKLY), (SIMPLE) или (AUTO OFF).</li> </ul>
На дисплее пульта дистанционного управления отображается сообщение "PLEASE WAIT" (ПОЖАЛУЙСТА, ПОДОЖДИТЕ).	<ul style="list-style-type: none"> <li>■ Осуществляются первоначальные настройки. Подождите примерно 3 минуты.</li> </ul>
На дисплее пульта дистанционного управления отображается код ошибки.	<ul style="list-style-type: none"> <li>■ Включились защитные устройства для защиты кондиционера.</li> <li>■ Не пытайтесь отремонтировать данное оборудование самостоятельно. Немедленно отключите питание и обратитесь к своему поставщику. Обязательно сообщите поставщику наименование модели и информацию, которая появилась на дисплее пульта дистанционного управления.</li> </ul>
Слышен звук дренажа воды или вращения двигателя.	<ul style="list-style-type: none"> <li>■ При останове режима охлаждения дренажный насос включается, затем останавливается. Подождите примерно 3 минуты.</li> </ul>

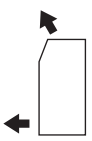

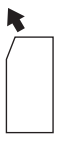
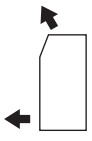

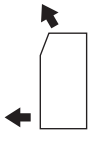
## 11. Исправление неполадок

Возникла проблема?	Вот решение. (Прибор работает нормально.)												
Уровень шума превышает уровень, указанный в технических характеристиках.	<p>■ Уровень шума работающего кондиционера зависит от акустики конкретного помещения (см. таблицу ниже). Он может быть выше, чем указано в спецификации, поскольку тестовый замер проводился в беззвучном помещении.</p> <table border="1"> <thead> <tr> <th></th> <th>Помещения с высоким уровнем поглощения шума</th> <th>Обычные помещения</th> <th>Помещения с низким уровнем поглощения шума</th> </tr> </thead> <tbody> <tr> <td>Примеры местоположения</td> <td>Студия радиовещания, музыкальная студия и т.д.</td> <td>Приемная, вестибюль гостиницы и т.д.</td> <td>Офис, гостиничный номер</td> </tr> <tr> <td>Уровни шума</td> <td>от 3 до 7 дБ</td> <td>от 6 до 10 дБ</td> <td>от 9 до 13 дБ</td> </tr> </tbody> </table>		Помещения с высоким уровнем поглощения шума	Обычные помещения	Помещения с низким уровнем поглощения шума	Примеры местоположения	Студия радиовещания, музыкальная студия и т.д.	Приемная, вестибюль гостиницы и т.д.	Офис, гостиничный номер	Уровни шума	от 3 до 7 дБ	от 6 до 10 дБ	от 9 до 13 дБ
	Помещения с высоким уровнем поглощения шума	Обычные помещения	Помещения с низким уровнем поглощения шума										
Примеры местоположения	Студия радиовещания, музыкальная студия и т.д.	Приемная, вестибюль гостиницы и т.д.	Офис, гостиничный номер										
Уровни шума	от 3 до 7 дБ	от 6 до 10 дБ	от 9 до 13 дБ										
На пульте дистанционного управления ничего не отображается, дисплей тусклый, или внутренний прибор получает сигналы, если только пульт дистанционного управления находится близко.	<p>■ Батарейки разряжены. Замените батарейки и нажмите кнопку Reset (Сброс).</p> <p>■ Если после замены батареек ничего не появляется, убедитесь, что батарейки вставлены с соблюдением полярности (+, -).</p>												
Лампа работы около приемника пульта дистанционного управления на внутреннем приборе мигает.	<p>■ Включилась функция самодиагностики для защиты кондиционера.</p> <p>■ Не пытайтесь отремонтировать данное оборудование самостоятельно. Немедленно отключите питание и обратитесь к своему поставщику. Обязательно сообщите поставщику наименование модели.</p>												
Теплый воздух поступает из внутреннего устройства с перерывами, когда режим отопления выключен, или в режиме вентиляции.	<p>■ Если другое внутреннее устройство работает в режиме отопления, управляющий клапан периодически открывается и закрывается для поддержания стабильного состояния кондиционера. Через некоторое время это прекратится.</p> <p>* Если это ведет к нежелательному увеличению температуры в небольших помещениях, временно выключите внутреннее устройство.</p>												
Демпфер открывается и закрывается автоматически. (Для серии PFFY-P-VKM-E)	<p>■ Демпфер контролируется автоматически микрокомпьютером в соответствии с температурой потока воздуха и временем работы кондиционера.</p>												

### ► Управление воздуховыпускными отверстиями (серия PFFY-P-VKM-E)

Данный прибор контролируется автоматически таким образом, что при использовании данной функции воздух выходит одновременно из верхнего и нижнего воздуховыпускных отверстий для обеспечения эффективного охлаждения или обогрева помещения.

#### Описание работы

Работа	ОХЛАЖДЕНИЕ		СУШКА	ОБОГРЕВ		ВЕНТИЛЯТОР
Поток воздуха						
	Верхний и нижний поток воздуха	Верхний поток воздуха	Только верхний поток воздуха	Верхний и нижний поток воздуха	Верхний поток воздуха	Верхний и нижний поток воздуха
Условия	Температура в помещении и заданная температура отличаются.	Температура в помещении почти соответствует заданной температуре или термоотключению.	—	(Нормальное состояние (при обогреве))	В режиме размораживания, в начале работы, в режиме термоотключения	—

- Обязательно проследите, чтобы вокруг демпфера и нижнего выходного воздушного отверстия не было каких-либо предметов. Для прибора можно задать режим подачи воздуха из верхних воздуховыпускных отверстий всего лишь с помощью изменения настройки переключателя на адресном щите (обратитесь к дилеру).

#### Диапазон применения

Диапазон рабочих температур внутреннего и наружного устройств серий Y, R2, Multi-S приведен ниже.

#### ⚠ Предупреждение:

Если кондиционер работает, но при этом не охлаждает или не обогревает (в зависимости от модели) помещение, обратитесь к дилеру, так как это может свидетельствовать об утечке хладагента. После выполнения ремонтных работ обязательно спрашивайте у представителя технической службы о наличии или отсутствии утечки хладагента.

Хладагент, заправленный в систему кондиционера, не представляет опасности для здоровья. Обычно утечки хладагента не наблюдаются, однако в случае утечки газообразного хладагента внутри помещения и его последующего контакта с раскаленными деталями тепловентилятора, комнатного обогревателя, огнем кухонной плиты и т.п. происходит образование вредных для здоровья веществ.

## 12. Технические характеристики

### ■ Серия PCFY-P-VKM-E

Модель	P40	P63	P100	P125
Электропитание (Напряжение<В>/Частота)	<Гц> ~/N 220-230-240/50, 220/60			
Мощность (Охлаждение/Обогрев)	<кВт> 4,5/5,0 7,1/8,0 11,2/12,5 14,0/16,0			
Габариты (Высота)	<мм> 230			
Габариты (Ширина)	<мм> 960 1280 1600			
Габариты (Глубина)	<мм> 680			
Масса Нетто	<кг> 24 32 36 38			
Скорость движения воздушного потока в вентиляторе (Низкая-Средняя2-Средняя1-Высокая)	<м <sup>3</sup> /мин> 10-11-12-13 14-15-16-18 21-24-26-28 21-24-27-31			
Уровень шума (Низкая-Средняя2-Средняя1-Высокая)	<дБ> 29-32-34-36 31-33-35-37 36-39-41-43 36-39-42-44			

#### Примечание

- \* Рабочая температура внутреннего прибора  
Режим охлаждения: 15 °C WB - 24 °C WB  
Режим обогрева: 15 °C DB - 27 °C DB

- \*1 Мощность для режимов Охлаждения/Обогрева представляет собой максимальное значение при работе прибора в следующих условиях:  
Охлаждение: Температура в помещении 27 °C DB/19 °C WB, Температура снаружи 35 °C DB  
Обогрев: Температура в помещении 20 °C DB, Температура снаружи 7 °C DB/6 °C WB

DB = шарик сухого термометра WB = шарик влажного термометра

### ■ Серия PKFY-P-VBM-E

Модель	P15	P20	P25	P32	P40	P50
Электропитание (Напряжение<В>/Частота)	<Гц> ~/N 220-230-240/50, 220/60					
Мощность (Охлаждение/Обогрев)	<кВт> 1,7/1,9 2,2/2,5 2,8/3,2 3,6/4,0 4,5/5,0 5,6/6,3					
Габариты (Высота)	<мм> 295					
Габариты (Ширина)	<мм> 815					
Габариты (Глубина)	<мм> 225					
Масса Нетто	<кг> 10					
Скорость движения воздушного потока в вентиляторе (Низкая-Средняя2-Средняя1-Высокая)	<м <sup>3</sup> /мин> 4,9-5,0-5,2-5,3 4,9-5,2-5,6-5,9 9-10-11 9-10,5-11,5 9-10,5-12					
Уровень шума (Низкая-Средняя2-Средняя1-Высокая)	<дБ> 29-31-32-33 29-31-34-36 34-37-41 34-38-41 34-39-43					

### ■ Серия PKFY-P-VHM-E

#### Примечание

- \* Рабочая температура внутреннего прибора  
Режим охлаждения: 15 °C WB - 24 °C WB  
Режим обогрева: 15 °C DB - 27 °C DB

- \*1 Мощность для режимов Охлаждения/Обогрева представляет собой максимальное значение при работе прибора в следующих условиях:  
Охлаждение: Температура в помещении 27 °C DB/19 °C WB, Температура снаружи 35 °C DB  
Обогрев: Температура в помещении 20 °C DB, Температура снаружи 7 °C DB/6 °C WB

DB = шарик сухого термометра WB = шарик влажного термометра

### ■ Серия PMFY-P-VBM-E

Модель	P20	P25	P32	P40
Электропитание (Напряжение<В>/Частота)	<Гц> ~/N 220-230-240/50, 220/60			
Мощность (Охлаждение/Обогрев)	<кВт> 2,2/2,5 2,8/3,2 3,6/4,0 4,5/5,0			
Габариты (Высота)	<мм> 230 (30)			
Габариты (Ширина)	<мм> 854 (1000)			
Габариты (Глубина)	<мм> 395 (470)			
Масса Нетто	<кг> 14 (3,0)			
Скорость движения воздушного потока в вентиляторе (Низкая-Средняя2-Средняя1-Высокая)	<м <sup>3</sup> /мин> 6,5-7,2-8,0-8,6 7,3-8,0-8,6-9,3 7,7-8,7-9,7-10,7			
Уровень шума (Низкая-Средняя2-Средняя1-Высокая)	<дБ> 27-30-33-36 32-34-36-37 33-35-37-39			

#### Примечание

- \* Рабочая температура внутреннего прибора  
Режим охлаждения: 15 °C WB - 24 °C WB  
Режим обогрева: 15 °C DB - 27 °C DB

- \*1 Мощность для режимов Охлаждения/Обогрева представляет собой максимальное значение при работе прибора в следующих условиях:  
Охлаждение: Температура в помещении 27 °C DB/19 °C WB, Температура снаружи 35 °C DB  
Обогрев: Температура в помещении 20 °C DB, Температура снаружи 7 °C DB/6 °C WB

- \*2 Значения в ( ) действительны для панелей.

DB = шарик сухого термометра WB = шарик влажного термометра

### ■ Серия PFFY-P-VKM-E

Модель	P20	P25	P32	P40
Электропитание (Напряжение<В>/Частота)	<Гц> ~/N 220-230-240/50			
Мощность (Охлаждение/Обогрев)	<кВт> 2,2/2,5 2,8/3,2 3,6/4,0 4,5/5,0			
Габариты (Высота)	<мм> 600			
Габариты (Ширина)	<мм> 700			
Габариты (Глубина)	<мм> 200			
Масса Нетто	<кг> 14			
Скорость движения воздушного потока в вентиляторе (Низкая-Средняя2-Средняя1-Высокая)	<м <sup>3</sup> /мин> 5,9-6,8-7,6-8,7 6,1-7,0-8,0-9,1 8,0-9,0-9,5-10,7			
Уровень шума (Низкая-Средняя2-Средняя1-Высокая)	<дБ> 27-31-34-37 28-32-35-38 35-38-42-44			

#### Примечание

- \* Рабочая температура внутреннего прибора  
Режим охлаждения: 15 °C WB - 24 °C WB  
Режим обогрева: 15 °C DB - 27 °C DB

- \*1 Мощность для режимов Охлаждения/Обогрева представляет собой максимальное значение при работе прибора в следующих условиях:  
Охлаждение: Температура в помещении 27 °C DB/19 °C WB, Температура снаружи 35 °C DB  
Обогрев: Температура в помещении 20 °C DB, Температура снаружи 7 °C DB/6 °C WB

DB = шарик сухого термометра WB = шарик влажного термометра







Please be sure to put the contact address/telephone number on this manual before handing it to the customer.



**mitsubishi electric corporation**

HEAD OFFICE: TOKYO BLDG., 2-7-3, MARUNOUCHI, CHIYODA-KU, TOKYO 100-8310, JAPAN