

SERVICE PARTS LIST FOR MITSUBISHI ELECTRIC PACKAGED AIR-CONDITIONERS

Series PU(H)Y-P·YGM-A(-BS)

For use with the R410A

Jul. 2004

INDEX

PU(H)Y-P200YGM-A(-BS)

PU(H)Y-P250YGM-A(-BS)

PU(H)Y-P300YGM-A(-BS)

PU(H)Y-P350YGM-A(-BS)

PUHY-P400YGM-A(-BS)

PUHY-P450YGM-A(-BS)

PUHY-P500YGM-A(-BS)

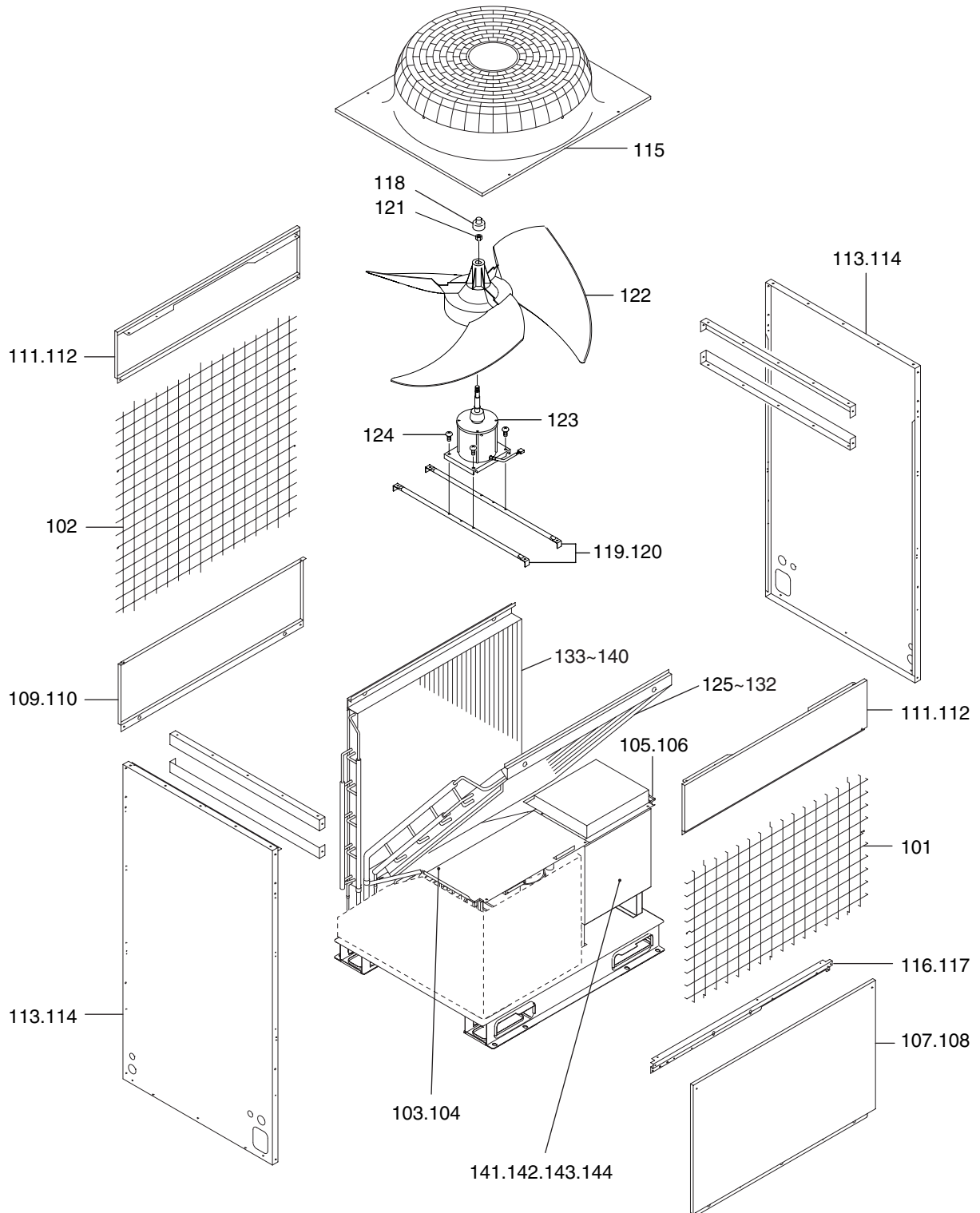
PUHY-P550YGM-A(-BS)

PUHY-P600YGM-A(-BS)

PUHY-P650YGM-A(-BS)

PU(H)Y-P200,P250YGM-A(-BS)
PU(H)Y-P300,P350YGM-A(-BS)

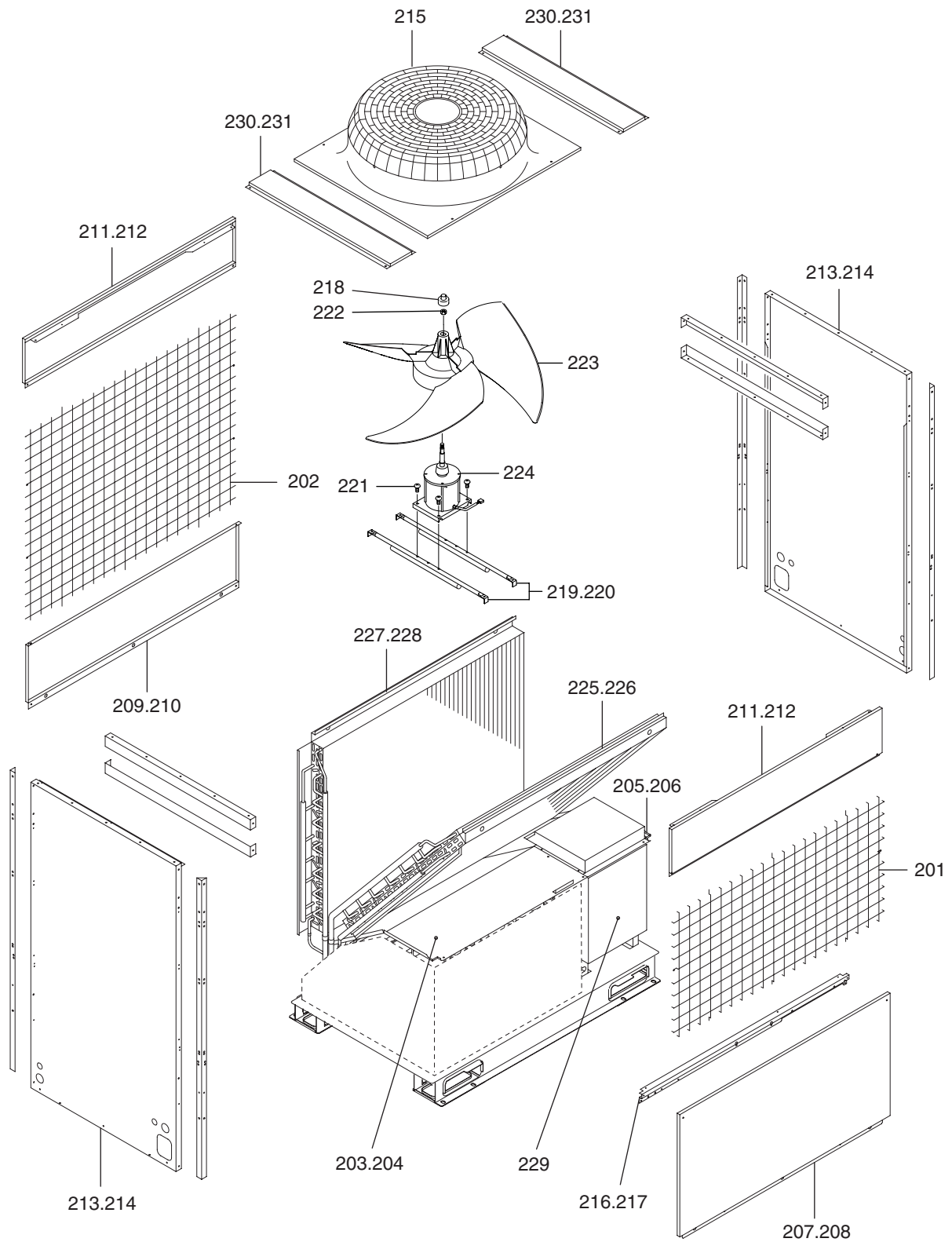
EXTERNAL PARTS & BLOWER PARTS (1)



PU(H)Y-P200,P250YGM-A(-BS)
 PU(H)Y-P300,P350YGM-A(-BS)

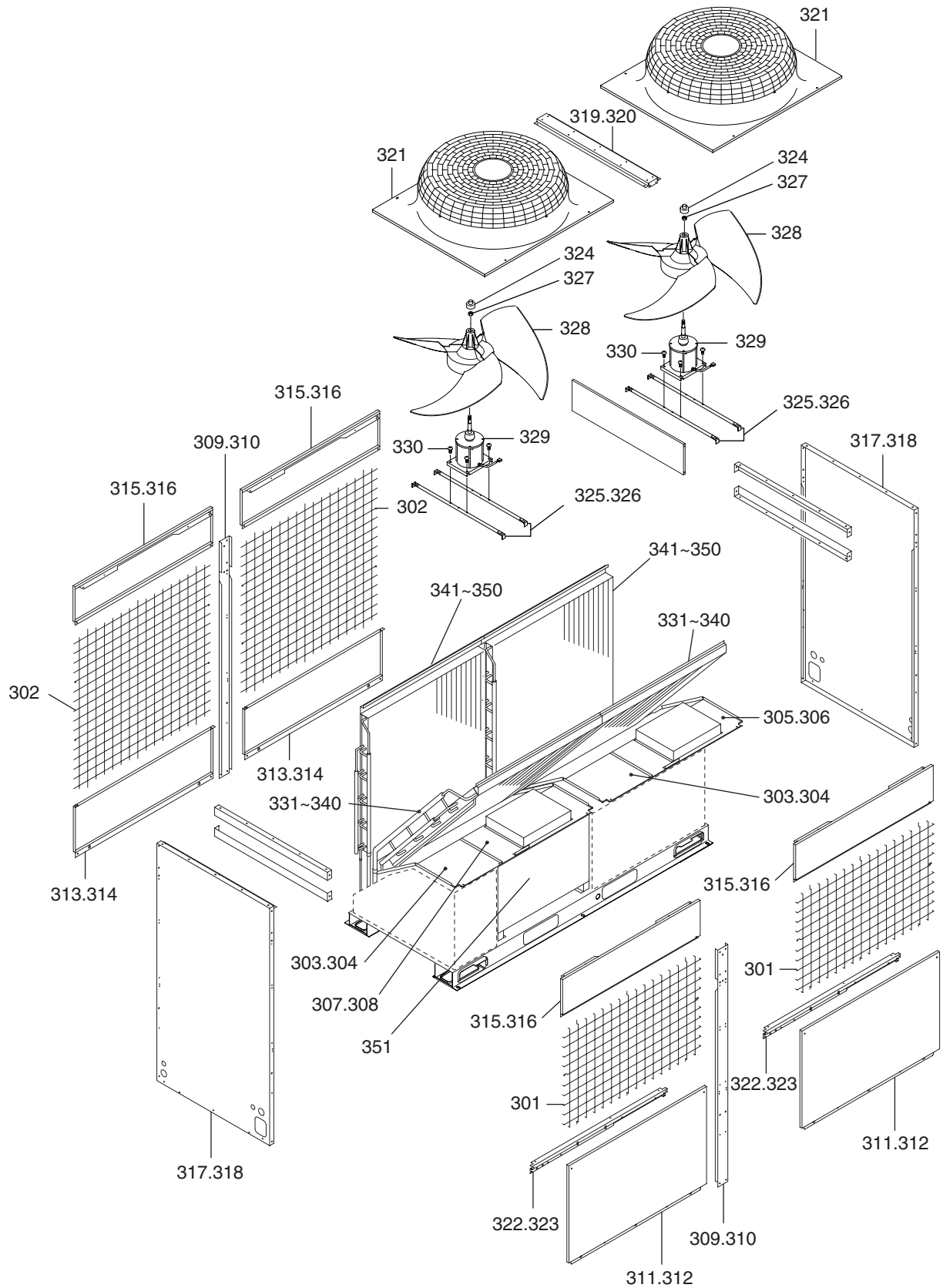
EXTERNAL PARTS & BLOWER PARTS (1)

No.	Part No.	Part Name	Spec.	PUY-P200YGM-A	PUY-P250YGM-A	PUY-P300YGM-A	PUY-P350YGM-A	PUY-P200YGM-A-BS	PUY-P250YGM-A-BS	PUY-P300YGM-A-BS	PUY-P350YGM-A-BS	PUHY-P200YGM-A	PUHY-P250YGM-A	PUHY-P300YGM-A	PUHY-P350YGM-A	Dwg. No.	Price
101	R61 E66 611	Guard F assy		1	1	1	1	1	1	1	1	1	1	1	1	W265788G01	
102	R61 A42 638	Gurard B assy		1	1	1	1	1	1	1	1	1	1	1	1	W265789G01	
103	R61 R34 667	Partition board L assy		1	1	1	1					1	1	1	1	W656425G01	
104	R61 R35 667	Partition board L assy						1	1	1	1					W656425G02	
105	R61 R37 668	Partition board R assy		1	1	1	1					1	1	1	1	W656424G01	
106	R61 R38 668	Partition board R assy						1	1	1	1					W656424G02	
107	R61 R34 651	Panel F		1	1	1	1					1	1	1	1	W655252H01	
108	R61 R36 651	Panel F						1	1	1	1					W655252G02	
109	R61 Y32 652	Panel B		1	1	1	1					1	1	1	1	W655227H02	
110	R61 R36 677	Panel B						1	1	1	1					W655227G04	
111	R61 L78 653	Panel FU		2	2	2	2					2	2	2	2	W633746H06	
112	R61 R36 652	Panel FU						2	2	2	2					W633746G07	
113	R61 N78 661	Panel S		2	2	2	2					2	2	2	2	W272421H01	
114	R61 R36 661	Panel S						2	2	2	2					W272421G03	
115	R61 N78 118	Fan guard		1	1	1	1	1	1	1	1	1	1	1	1	W126832G02	
116	R61 A42 659	Front panel		1	1	1	1					1	1	1	1	W615888H18	
117	R61 A43 659	Front panel						1	1	1	1					W615888G09	
118	R61 A69 086	Cap		1	1	1	1	1	1	1	1	1	1	1	1	P221056X01	
119	R61 A42 140	Fan stand		2	2	2	2					2	2	2	2	W856127G05	
120	R61 A43 140	Fan stand						2	2	2	2					W856127G06	
121	R61 A42 122	Nut 16		1	1	1	1	1	1	1	1	1	1	1	1	P541016X01	
122	R61 N78 115	Propeller fan	750D	1	1	1	1	1	1	1	1	1	1	1	1	W126814G01	
123	R61 Y43 221	Motor YC380IA	342V 33Hz	1	1	1	1	1	1	1	1	1	1	1	1	P714969X01	
124	R61 E90 087	Screw 6X14		4	4	4	4	4	4	4	4	4	4	4	4	P521020X01	
125	R61 Y04 482	Heat exchanger F		1								1				W656448G23	
126	R61 R36 480	Heat exchanger F						1							1	W656448G17	
127	R61 Y05 482	Heat exchanger F		1								1				W656448G24	
128	R61 R39 480	Heat exchanger F						1							1	W656448G18	
129	R61 Y06 482	Heat exchanger F			1							1				W656448G25	
130	R61 R42 480	Heat exchanger F							1						1	W656448G19	
131	R61 Y07 482	Heat exchanger F				1						1				W656448G26	
132	R61 R51 480	Heat exchanger F							1						1	W656448G20	
133	R61 Y11 482	Heat exchanger B		1						1						W656450G23	
134	R61 R36 481	Heat exchanger B					1							1		W656450G17	
135	R61 Y12 482	Heat exchanger B			1							1				W656450G24	
136	R61 R39 481	Heat exchanger B					1							1		W656450G18	
137	R61 Y13 482	Heat exchanger B				1						1				W656450G25	
138	R61 R42 481	Heat exchanger B						1							1	W656450G19	
139	R61 Y14 482	Heat exchanger B				1								1		W656450G26	
140	R61 R51 481	Heat exchanger B							1						1	W656450G20	
141	R61 Y16 305	Control box	PUY-P200	1			1									W274761G07	
142	R61 Y17 305	Control box	PUY-P250	1	1	1	1	1	1	1	1					W274761G08	
143	R61 Y18 305	Control box	P200YGM									1			1	W274761G01	
144	R61 Y19 305	Control box	P250YGM									1	1	1	1	W274761G02	



PUHY-P450,P500YGM-A(-BS)
PUHY-P550,P600YGM-A(-BS)
PUHY-P650YGM-A(-BS)

EXTERNAL PARTS & BLOWER PARTS (3)



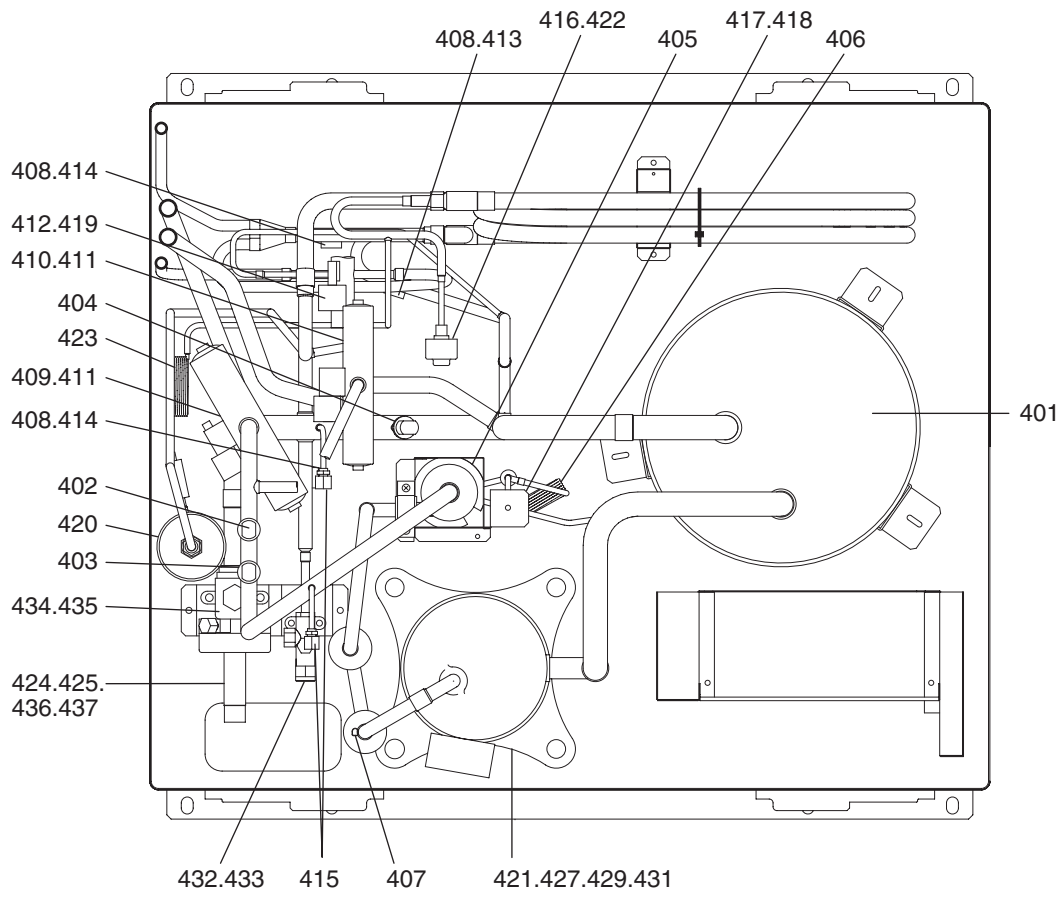
PUHY-P450,P500YGM-A(-BS)
 PUHY-P550,P600YGM-A(-BS)
 PUHY-P650YGM-A(-BS)

EXTERNAL PARTS & BLOWER PARTS (3)

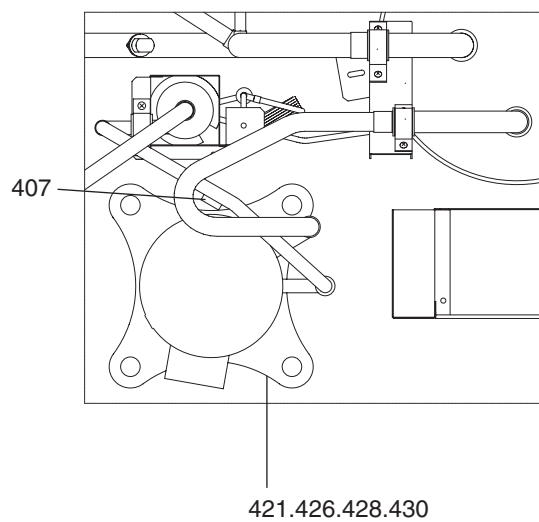
No.	Part No.	Part Name	Spec.									Dwg. No.	Price			
				-P450YGM-A	-P500YGM-A	-P550YGM-A	-P600YGM-A	-P650YGM-A	-P450YGM-A-BS	-P500YGM-A-BS	-P550YGM-A-BS			-P600YGM-A-BS	-P650YGM-A-BS	
301	R61 E66 611	Guard F assy		2	2	2	2	2	2	2	2	2	2	2	W265788G01	
302	R61 A42 638	Guard B assy		2	2	2	2	2	2	2	2	2	2	2	W265789G01	
303	R61 R34 667	Partition board L assy		2	2	2	2	2							W656425G01	
304	R61 R35 667	Partition board L assy							2	2	2	2	2		W656425G02	
305	R61 R43 668	Partition board R assy		1	1	1	1	1							W656424G03	
306	R61 R44 668	Partition board R assy							1	1	1	1	1		W656424G04	
307	R61 R43 667	Partition board R assy		1	1	1	1	1							W656424G05	
308	R61 R44 667	Partition board R assy							1	1	1	1	1		W656424G06	
309	R61 R43 626	Stay M		2	2	2	2	2							W656007G01	
310	R61 R44 626	Stay M							2	2	2	2	2		W656007G02	
311	R61 R34 651	Panel F		2	2	2	2	2							W655252H01	
312	R61 R36 651	Panel F							2	2	2	2	2		W655252G02	
313	R61 Y32 652	Panel B		2	2	2	2	2							W655227H02	
314	R61 R36 677	Panel B							2	2	2	2	2		W655227G04	
315	R61 L78 653	Panel FU		4	4	4	4	4							W633746H06	
316	R61 R36 652	Panel FU							4	4	4	4	4		W633746G07	
317	R61 N78 661	Panel S		2	2	2	2	2							W272421H01	
318	R61 R36 661	Panel S							2	2	2	2	2		W272421G03	
319	R61 E66 125	Beam M		1	1	1	1	1							W623718G01	
320	R61 E67 125	Beam M							1	1	1	1	1		W623718G03	
321	R61 N78 118	Fan guard		2	2	2	2	2	2	2	2	2	2		W126832G02	
322	R61 A42 659	Front panel		2	2	2	2	2							W615888H18	
323	R61 A43 659	Front panel							2	2	2	2	2		W615888G09	
324	R61 A69 086	Cap		2	2	2	2	2	2	2	2	2	2		P221056X01	
325	R61 A42 140	Fan stand		4	4	4	4	4							W856127G05	
326	R61 A43 140	Fan stand							4	4	4	4	4		W856127G06	
327	R61 A42 122	Nut 16		2	2	2	2	2	2	2	2	2	2		P541016X01	
328	R61 N78 115	Propeller fan	750D	2	2	2	2	2	2	2	2	2	2		W126814G01	
329	R61 Y43 221	Motor YC380IA	342V 33Hz	2	2	2	2	2	2	2	2	2	2		P714969X01	
330	R61 E90 087	Screw 6X14		8	8	8	8	8	8	8	8	8	8		P521020X01	
331	R61 Y08 482	Heat exchanger F		2											W656448G27	
332	R61 R54 480	Heat exchanger F							2						W656448G21	
333	R61 Y09 482	Heat exchanger F			2										W656448G28	
334	R61 Y03 482	Heat exchanger F								2					W656448G22	
335	R61 Y05 482	Heat exchanger F				2									W656448G24	
336	R61 R39 480	Heat exchanger F									2				W656448G18	
337	R61 Y06 482	Heat exchanger F					2								W656448G25	
338	R61 R42 480	Heat exchanger F											2		W656448G19	
339	R61 Y07 482	Heat exchanger F						2							W656448G26	
340	R61 R51 480	Heat exchanger F												2	W656448G20	
341	R61 Y15 482	Heat exchanger B		2											W656450G27	
342	R61 R54 481	Heat exchanger B							2						W656450G21	
343	R61 Y16 482	Heat exchanger B			2										W656450G28	
344	R61 Y10 482	Heat exchanger B								2					W656450G22	
345	R61 Y12 482	Heat exchanger B				2									W656450G24	

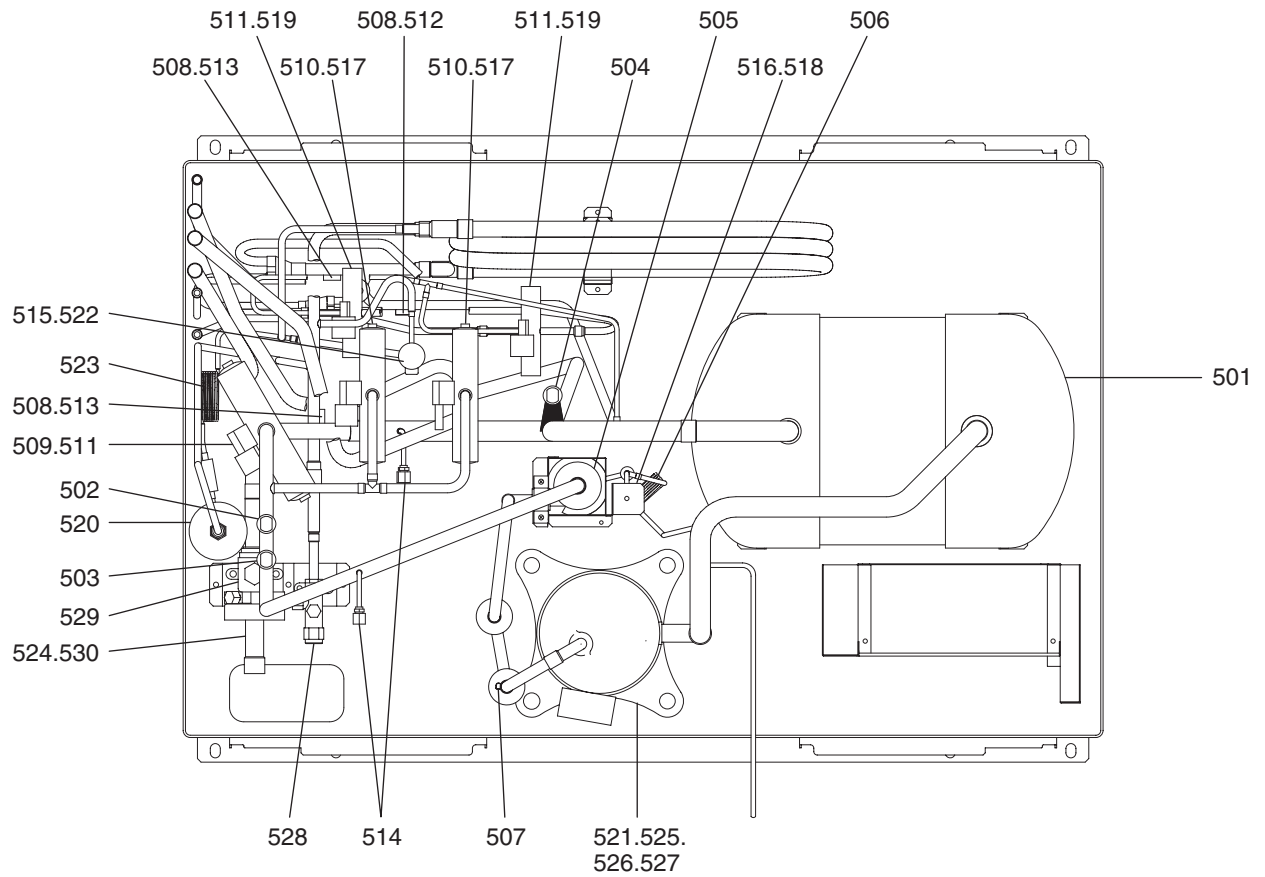
PU(H)Y-P200,P250YGM-A(-BS)
PU(H)Y-P300,P350YGM-A(-BS)

FUNCTIONAL PARTS (1)



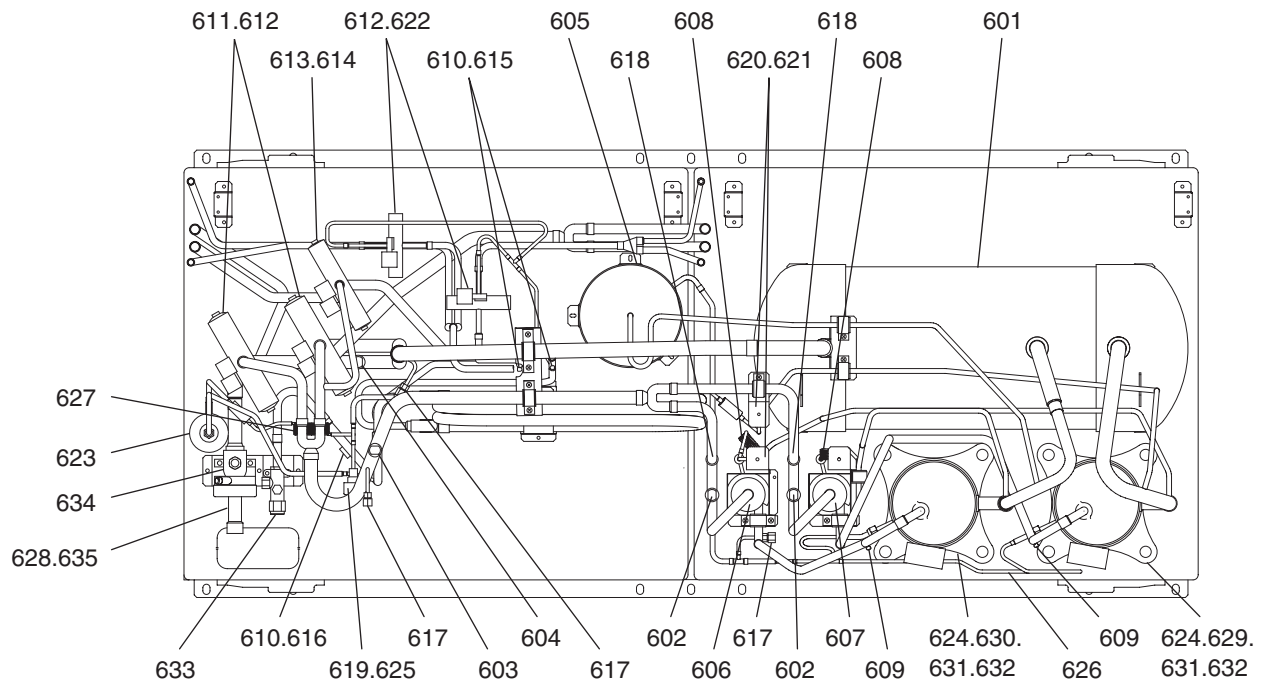
PU(H)Y-P200





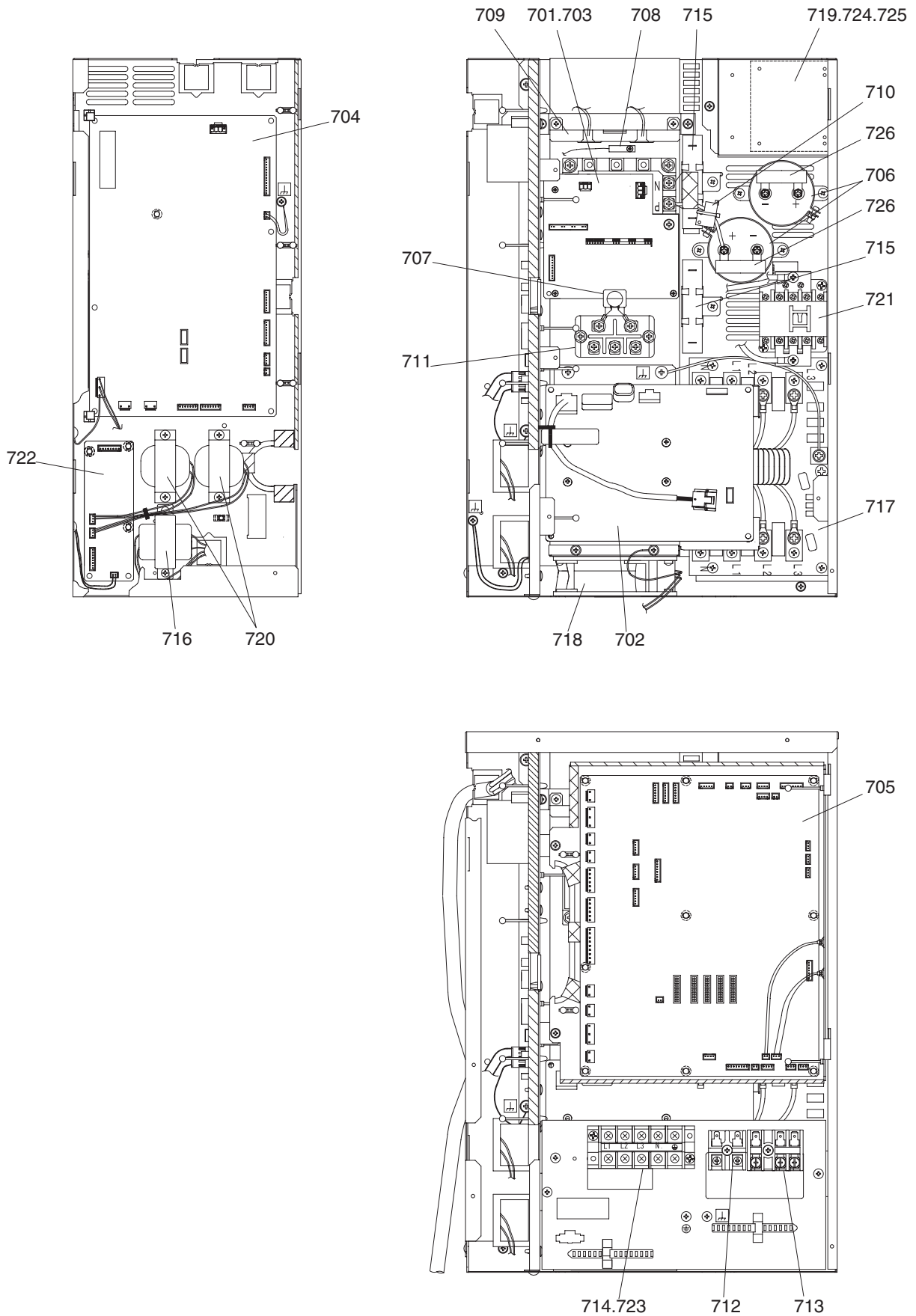
PUHY-P450,P500YGM-A(-BS)
PUHY-P550,P600YGM-A(-BS)
PUHY-P650YGM-A(-BS)

FUNCTIONAL PARTS (3)



PU(H)Y-P200,P250YGM-A(-BS)
 PU(H)Y-P300,P350YGM-A(-BS)
 PUHY-P400YGM-A(-BS)

CONTROL BOX PARTS (1)



PUHY-P450,P500,P550YGM-A(-BS)
 PUHY-P600,P650YGM-A(-BS)

CONTROL BOX PARTS (2)

