

# Y Series (4.5-8hp)

## Heat Pump Outdoor Unit

The new PUMY City Multi models allow up to 12 indoor OU units to be connected to a single outdoor unit, using the standard branch pipework system proven in the larger models. Utilising the latest Mitsubishi Electric inverter technology, the system is fully controllable with all City Multi controllers or linked to third party BEMS.

### Key Features

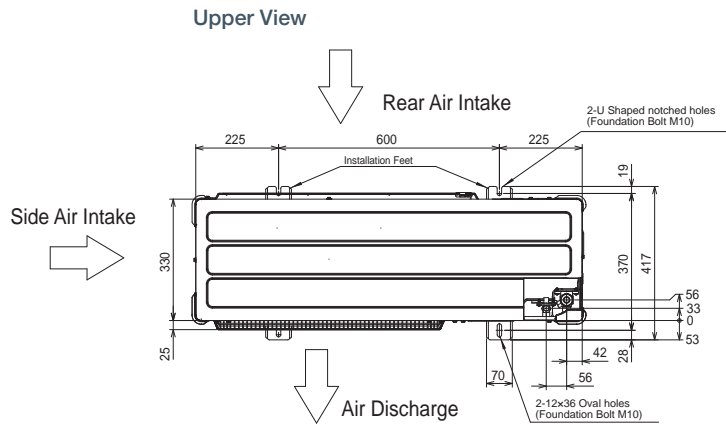
- Improved seasonal efficiency through new HIC circuit, increased heat exchanger surface area and improved fan shape
- Latest in inverter technology including a highly efficient DC Scroll Compressor, DC fan motor and Demand Control
- New AC pre-heating control reduces standby power input
- The condensing unit is extremely slimline which allows easy location and application of the system
- Anti-Corrosion blue and flat fin technology
- Connect stylish M Series wall mounted and floor mounted indoor units to the system via the LEV kit interface (PAC-LV11)
- Connect M Series and Mr Slim indoor units via the PAC-MK-BC boxes alongside VRF indoor units to the same system to provide a multi-split solution (PUMY-P112-140V(Y)KM1)



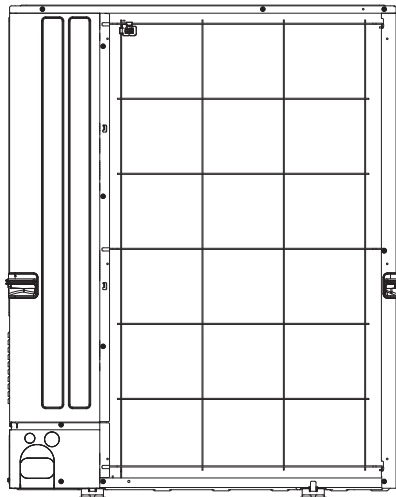
OUTDOOR UNITS		PUMY-P112VKM1	PUMY-P112YKM1	PUMY-P125VKM1	PUMY-P125YKM1	PUMY-P140VKM1	PUMY-P140YKM1	PUMY-P200YKM
CAPACITY (kW)	Heating (nominal)	14.0	14.0	16.0	16.0	18.0	18.0	25.0
	Cooling (nominal)	12.5	12.5	14.0	14.0	15.5	15.5	22.4
	Heating (UK)	11.6	11.6	13.3	13.3	14.9	14.9	25.0
	Cooling (UK)	11.5	11.5	12.9	12.9	14.3	14.3	18.5
POWER INPUT (kW)	Heating (nominal)	3.04	3.04	3.74	3.74	4.47	4.47	5.84
	Cooling (nominal)	2.79	2.79	3.46	3.46	4.52	4.52	6.05
	Heating (UK)	2.71	2.71	3.33	3.33	3.98	3.98	7.59
	Cooling (UK)	1.87	1.87	2.32	2.32	3.03	3.03	5.58
COP / EER (nominal)		4.61 / 4.48	4.61 / 4.48	4.28 / 4.05	4.28 / 4.05	4.03 / 3.43	4.03 / 3.43	4.28 / 3.70
SCOP / SEER (system)		3.69 / 5.62	3.69 / 5.62	3.94 / 5.72	3.94 / 5.72	3.61 / 5.60	3.61 / 5.60	3.61 / 5.25
Max no. OF CONNECTABLE INDOOR UNITS		9	9	10	10	12	12	12
MAX CONNECTABLE CAPACITY		50-130% OU Capacity	50-130% OU Capacity	50-130% OU Capacity	50-130% OU Capacity	50-130% OU Capacity	50-130% OU Capacity	50-130% OU Capacity
AIRFLOW (m <sup>3</sup> /min)		110	110	110	110	110	110	139
PIPE SIZE mm (in)	Gas	15.88 (5/8")	15.88 (5/8")	15.88 (5/8")	15.88 (5/8")	15.88 (5/8")	15.88 (5/8")	19.05 (3/4")
	Liquid	9.52 (3/8")	9.52 (3/8")	9.52 (3/8")	9.52 (3/8")	9.52 (3/8")	9.52 (3/8")	9.52 (3/8")*
SOUND PRESSURE LEVEL (dBA)		49	49	50	50	51	51	56
WEIGHT (kg)		123	125	123	125	123	125	138
DIMENSIONS (mm)	Width	1050	1050	1050	1050	1050	1050	1050
	Depth	330+30	330+30	330+30	330+30	330+30	330+30	330+30
	Height	1338	1338	1338	1338	1338	1338	1338
ELECTRICAL SUPPLY		220-240v, 50Hz	380-415v, 50Hz	220-240v, 50Hz	380-415v, 50Hz	220-240v, 50Hz	380-415v, 50Hz	380-415v, 50Hz
PHASE		Single	Three	Single	Three	Single	Three	Three
STARTING CURRENT (A)		5	5	5	5	5	5	7
NOMINAL SYSTEM RUNNING CURRENT (A)* Heating/Cooling [MAX]		13.42 / 12.32 [29.5]	4.62 / 4.24 [13.0]	16.51 / 15.27 [29.5]	5.68 / 5.26 [13.0]	19.73 / 19.95 [29.5]	6.79 / 6.87 [13.0]	8.74 / 9.05 [19.0]
GUARANTEED OPERATING RANGE (°C) Heating / Cooling		-20~-15 / -5~-46	-20~-15 / -5~-46	-20~-15 / -5~-46	-20~-15 / -5~-46	-20~-15 / -5~-46	-20~-15 / -5~-46	-20~-15 / -5~-46
FUSE RATING (BS88) - HRC (A)		1 x 32	1 x 16	1 x 32	1 x 16	1 x 32	1 x 16	1 x 20
MAINS CABLE No. Cores		3	4 + earth	3	4 + earth	3	4 + earth	4 + earth

Note: \* 12.7mm (1/2") if furthest length ≥ 60m

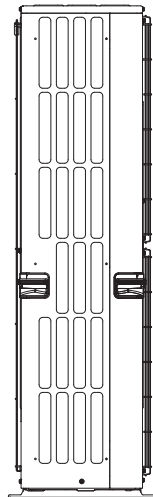
PIPING RESTRICTIONS	PUMY-P112-140VKM/YKM	PUMY-P200YKM
TOTAL PIPING LENGTH	300m max	150m max
FURTHEST PIPING LENGTH	150m max	80m max
FURTHEST PIPING LENGTH AFTER 1st BRANCH	30m max	30m max
BETWEEN INDOOR AND OUTDOOR UNITS - HEIGHT	50m max (40m max if outdoor installed below)	50m max (40m max if outdoor installed below)
BETWEEN INDOOR AND INDOOR UNITS - HEIGHT	15m max	15m max



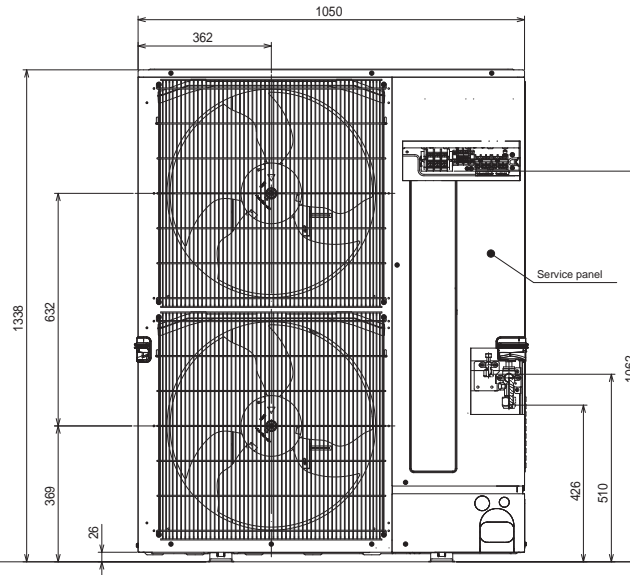
Rear View



Side View



Front View



Side View

