

Air Conditioning

Product Information

Y Series (12.5-15.5kW)
Mini Heat Pump Outdoor Unit

Making a
World of
Difference

CITY MULTI



VRF heat pump flexibility, efficiency and comfort delivered in a discrete, small capacity system.

Key Features

- VRF piping, control and connectivity for small systems requiring heating or cooling
- Low height profile and footprint making installation in built up areas easier
- 30Pa static pressure fan as standard if enclosures are required
- Compatible with stylish M Series multi split indoor units



Cooling | Heating | Ventilation | Controls

Air Conditioning

Product Information

Y Series (12.5-15.5kW) Mini Heat Pump Outdoor Unit

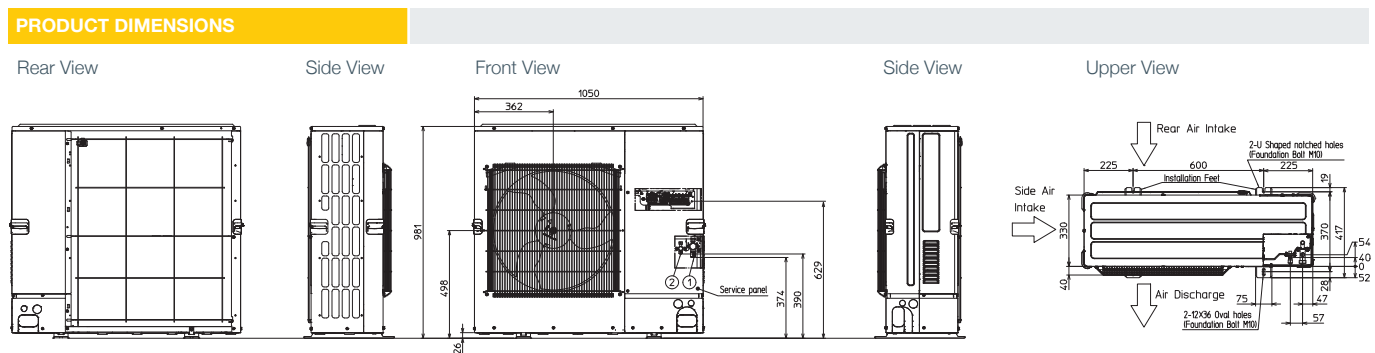
Making a
World of
Difference



OUTDOOR UNITS		PUMY-SP112VKM	PUMY-SP112YKM ③	PUMY-SP125VKM	PUMY-SP125YKM ③	PUMY-SP140VKM	PUMY-SP140YKM ③	
CAPACITY (KW)	Heating (nominal)	14.0	14.0	16.0	16.0	16.5	16.5	
	Cooling (nominal)	12.5	12.5	14.0	14.0	15.5	15.5	
	Heating (UK)	13.7	13.7	15.6	15.6	16.2	16.2	
	Cooling (UK)	10.2	10.2	11.4	11.4	12.6	12.6	
POWER INPUT (KW)	Heating (nominal)	3.17	3.17	3.90	3.90	4.02	4.02	
	Cooling (nominal)	3.10	3.10	3.84	3.84	4.70	4.70	
	Heating (UK)	4.28	4.28	5.27	5.27	5.43	5.43	
	Cooling (UK)	1.49	1.49	1.84	1.84	2.26	2.26	
COP / EER (nominal)		4.42 / 4.03	4.42 / 4.03	4.10 / 3.65	4.10 / 3.65	4.10 / 3.30	4.10 / 3.30	
SCOP (nsh) / SEER (nsc) (BS EN14825) ¹		3.98 (261.4%) / 6.76 (156.3%)	3.98 (261.4%) / 6.76 (156.3%)	3.93 (261.1%) / 6.74 (154.3%)	3.93 (261.1%) / 6.74 (154.3%)	3.9 (252.1%) / 6.49 (153.1%)	3.9 (252.1%) / 6.49 (153.1%)	
MAX NO. OF CONNECTABLE INDOOR UNITS		9	9	10	10	12	12	
MAX CONNECTABLE CAPACITY		50-130% OU Capacity	50-130% OU Capacity	50-130% OU Capacity	50-130% OU Capacity	50-130% OU Capacity	50-130% OU Capacity	
AIRFLOW (m ³ /min)		77	77	81	81	81	81	
PIPE SIZE MM (in)		Gas	15.88 (5/8")	15.88 (5/8")	15.88 (5/8")	15.88 (5/8")	15.88 (5/8")	
		Liquid	9.52 (3/8")	9.52 (3/8")	9.52 (3/8")	9.52 (3/8")	9.52 (3/8")	9.52 (3/8")
SOUND PRESSURE LEVEL (dBA)		52	52	53	53	54	54	
SOUND POWER LEVEL (dBA)		72	72	73	73	74	74	
WEIGHT (kg)		93	94	93	94	93	94	
DIMENSIONS (mm)		Width	1050	1050	1050	1050	1050	
		Depth	330+40	330+40	330+40	330+40	330+40	330+40
		Height	981	981	981	981	981	981
ELECTRICAL SUPPLY		220-240v, 50Hz	380-415v, 50Hz	220-240v, 50Hz	380-415v, 50Hz	220-240v, 50Hz	380-415v, 50Hz	
PHASE		Single	Three	Single	Three	Single	Three	
STARTING CURRENT (A)		14	7	14	7	14	7	
NOMINAL SYSTEM RUNNING CURRENT (A) Heating / Cooling [MAX]		13.48 / 13.18 [30.5]	4.82 / 4.71 [13.0]	16.58 / 16.33 [30.5]	5.93 / 5.83 [13.0]	17.09 / 19.98 [30.5]	6.11 / 7.14 [13.0]	
GUARANTEED OPERATING RANGE (°C) Heating / Cooling		-20~15 / -5~52	-20~15 / -5~52	-20~15 / -5~52	-20~15 / -5~52	-20~15 / -5~52	-20~15 / -5~52	
FUSE RATING (BS88) - HRC (A)		1 x 32	1 x 16	1 x 32	1 x 16	1 x 32	1 x 16	
MAINS CABLE NO. CORES		3	4 + earth	3	4 + earth	3	4 + earth	
CHARGE REFRIGERANT (kg) / CO ₂ EQUIVALENT (T) R410A (GWP 2088)		3.5 / 7.31	3.5 / 7.31	3.5 / 7.31	3.5 / 7.31	3.5 / 7.31	3.5 / 7.31	
MAX ADDITIONAL REFRIGERANT (kg) / CO ₂ EQUIVALENT (T) R410A (GWP 2088)		9.0 / 18.79	9.0 / 18.79	9.0 / 18.79	9.0 / 18.79	9.0 / 18.79	9.0 / 18.79	

③ Three Phase Note: *1 ErP Lot 6 calculation method to EN14825.

PIPING RESTRICTIONS	PUMY-SP112-140V(Y)KM
TOTAL PIPING LENGTH	120m max
FURTHEST PIPING LENGTH	70m max
FURTHEST PIPING LENGTH AFTER 1st BRANCH	50m max
BETWEEN INDOOR AND OUTDOOR UNITS - HEIGHT	50m max (30m max if outdoor installed below)
BETWEEN INDOOR AND INDOOR UNITS - HEIGHT	15m max



Telephone: 01707 282880
email: airconditioning@meuk.mee.com
web: airconditioning.mitsubishielectric.co.uk

UNITED KINGDOM Mitsubishi Electric Europe Living Environment Systems Division
Travellers Lane, Hatfield, Hertfordshire, AL10 8XB, England General Enquiries Telephone: 01707 282880 Fax: 01707 278881

IRELAND Mitsubishi Electric Europe Westgate Business Park, Ballymount, Dublin 24, Ireland
Telephone: Dublin (01) 419 8800 Fax: Dublin (01) 419 8890 International code: (003531)

Country of origin: United Kingdom – Japan – Thailand – Malaysia. ©Mitsubishi Electric Europe 2018. Mitsubishi and Mitsubishi Electric are trademarks of Mitsubishi Electric Europe B.V. The company reserves the right to make any variation in technical specification to the equipment described, or to withdraw or replace products without prior notification or public announcement. Mitsubishi Electric is constantly developing and improving its products. All descriptions, illustrations, drawings and specifications in this publication present only general particulars and shall not form part of any contract. All goods are supplied subject to the Company's General Conditions of Sale, a copy of which is available on request. Third-party product and brand names may be trademarks or registered trademarks of their respective owners.

Note: The fuse rating is for guidance only. Please refer to the relevant databook for detailed specification. It is the responsibility of a qualified electrician/electrical engineer to select the correct cable size and fuse rating based on current regulation and site specific conditions. Mitsubishi Electric's air conditioning equipment and heat pump systems contain a fluorinated greenhouse gas, R410A (GWP:2088), R32 (GWP:675), R407C (GWP:1774) or R134a (GWP:1430). *These GWP values are based on Regulation (EU) No 517/2014 from IPCC 4th edition. In case of Regulation (EU) No.626/2011 from IPCC 3rd edition, these are as follows: R410A (GWP:1975), R32 (GWP: 550), R407C (GWP:1650) or R134a (GWP:1300).



www.greengateway.mitsubishielectric.co.uk

Mitsubishi Electric UK's commitment to the environment

Follow us @meuk_Jes
Follow us @green_gateway

Mitsubishi Electric
Living Environmental Systems UK

YouTube
mitsubishielectric2

BLOG
thehub.mitsubishielectric.co.uk

Effective as of January 2018