

SERVICE PARTS LIST FOR MITSUBISHI ELECTRIC PACKAGED AIR-CONDITIONERS

Series : PURY-EP·Y(S)LM-A(-BS)

For use with the R410A

Nov. 2014
BWE014130

INDEX
PURY-EP200YLM-A
PURY-EP200YLM-A-BS
PURY-EP250YLM-A
PURY-EP250YLM-A-BS
PURY-EP300YLM-A
PURY-EP300YLM-A-BS
PURY-EP350YLM-A
PURY-EP350YLM-A-BS
PURY-EP400YLM-A
PURY-EP400YLM-A-BS
PURY-EP450YLM-A
PURY-EP450YLM-A-BS
PURY-EP500YLM-A
PURY-EP500YLM-A-BS

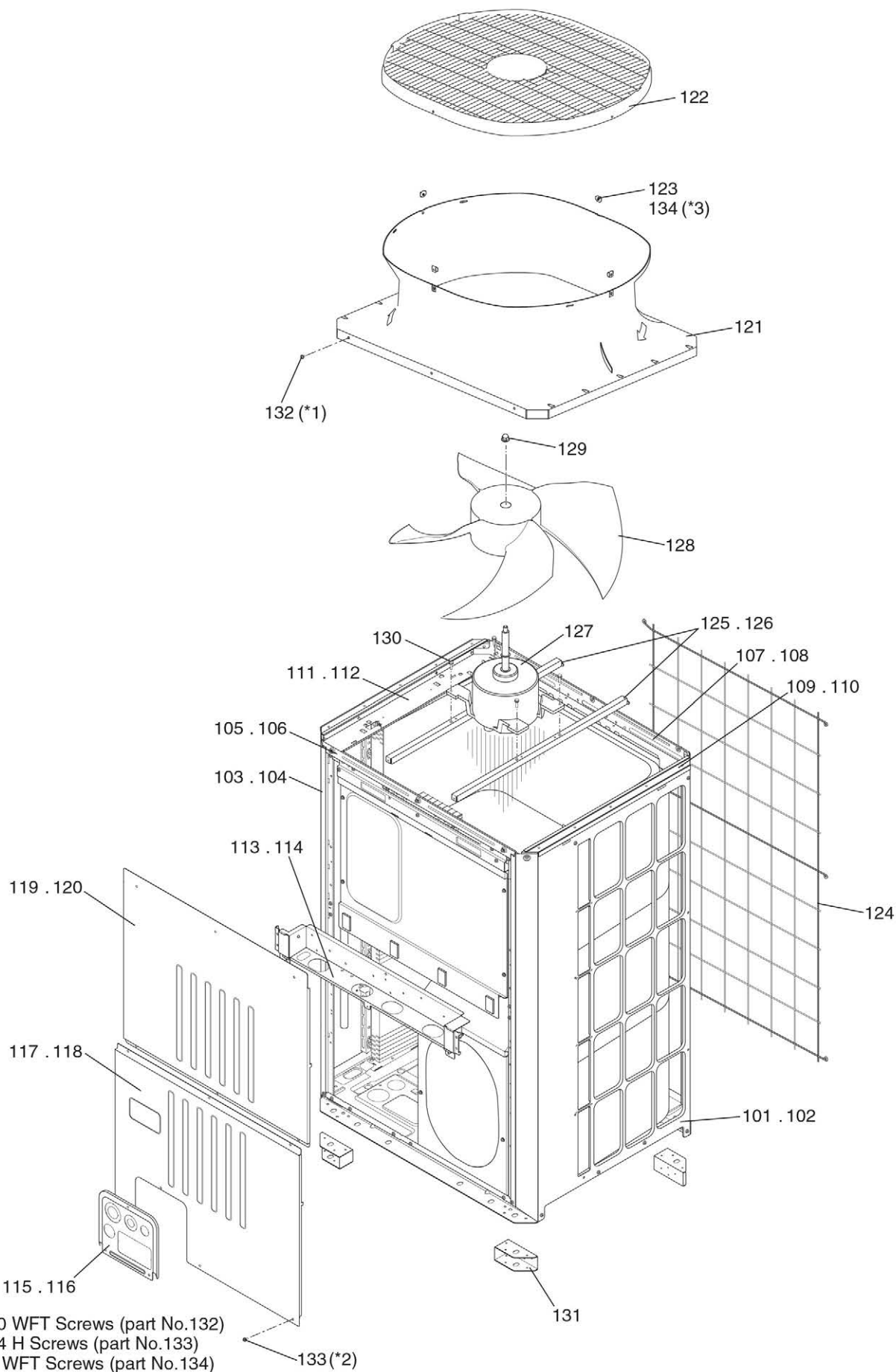
Refer to the next page for the package names.

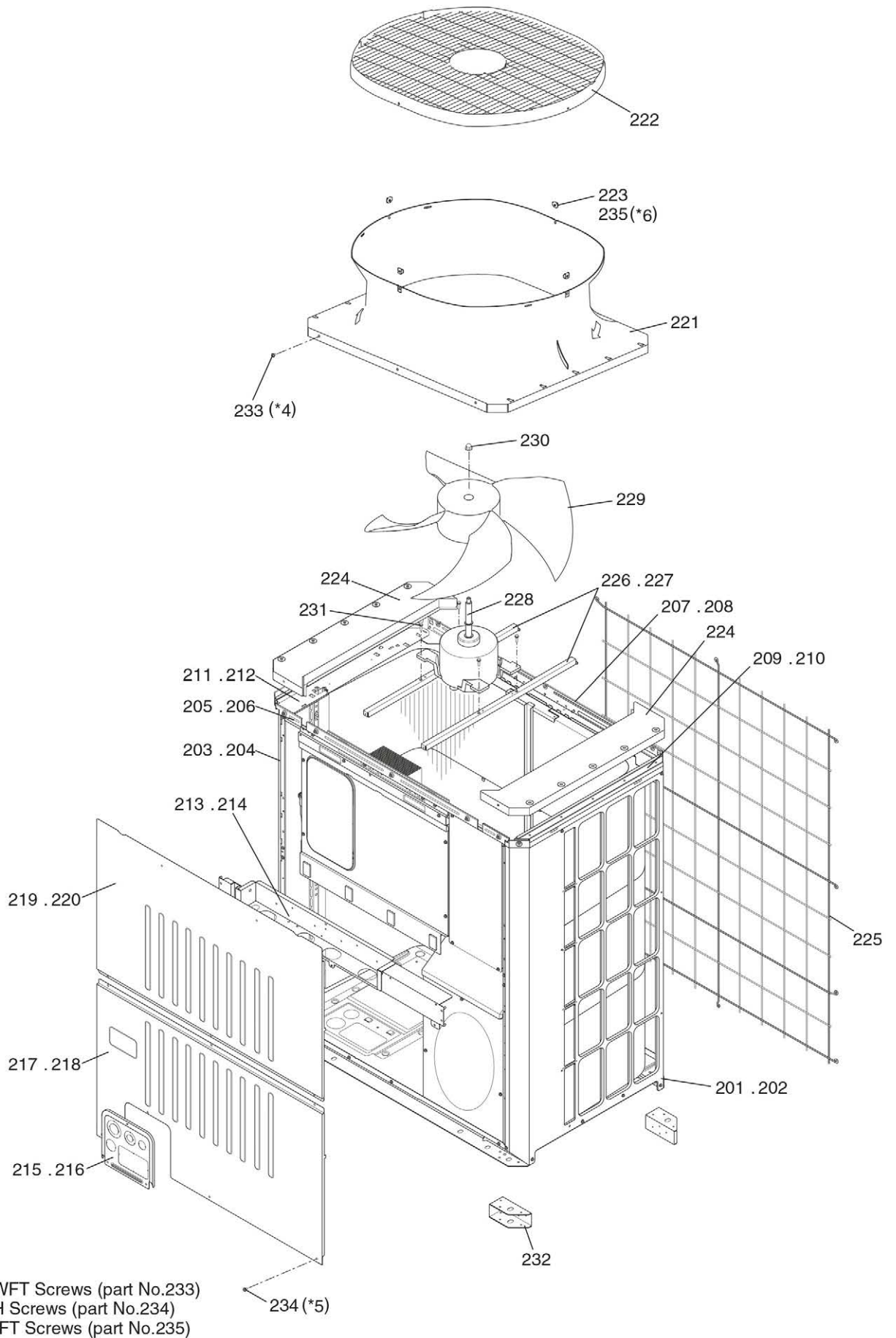
The Package name list

PURY-EP500YSLM-A(-BS)	[PURY-EP250YLM-A(-BS)+PURY-EP250YLM-A(-BS)]
PURY-EP550YSLM-A(-BS)	[PURY-EP250YLM-A(-BS)+PURY-EP300YLM-A(-BS)]
PURY-EP600YSLM-A(-BS)	[PURY-EP300YLM-A(-BS)+PURY-EP300YLM-A(-BS)]
PURY-EP650YSLM-A(-BS)	[PURY-EP300YLM-A(-BS)+PURY-EP350YLM-A(-BS)]
PURY-EP700YSLM-A(-BS)	[PURY-EP350YLM-A(-BS)+PURY-EP350YLM-A(-BS)]
PURY-EP750YSLM-A(-BS)	[PURY-EP350YLM-A(-BS)+PURY-EP400YLM-A(-BS)]
PURY-EP800YSLM-A(-BS)	[PURY-EP400YLM-A(-BS)+PURY-EP400YLM-A(-BS)]
PURY-EP850YSLM-A(-BS)	[PURY-EP400YLM-A(-BS)+PURY-EP450YLM-A(-BS)]
PURY-EP900YSLM-A(-BS)	[PURY-EP450YLM-A(-BS)+PURY-EP450YLM-A(-BS)]

PURY-EP200YLM-A(-BS)
 PURY-EP250YLM-A(-BS)

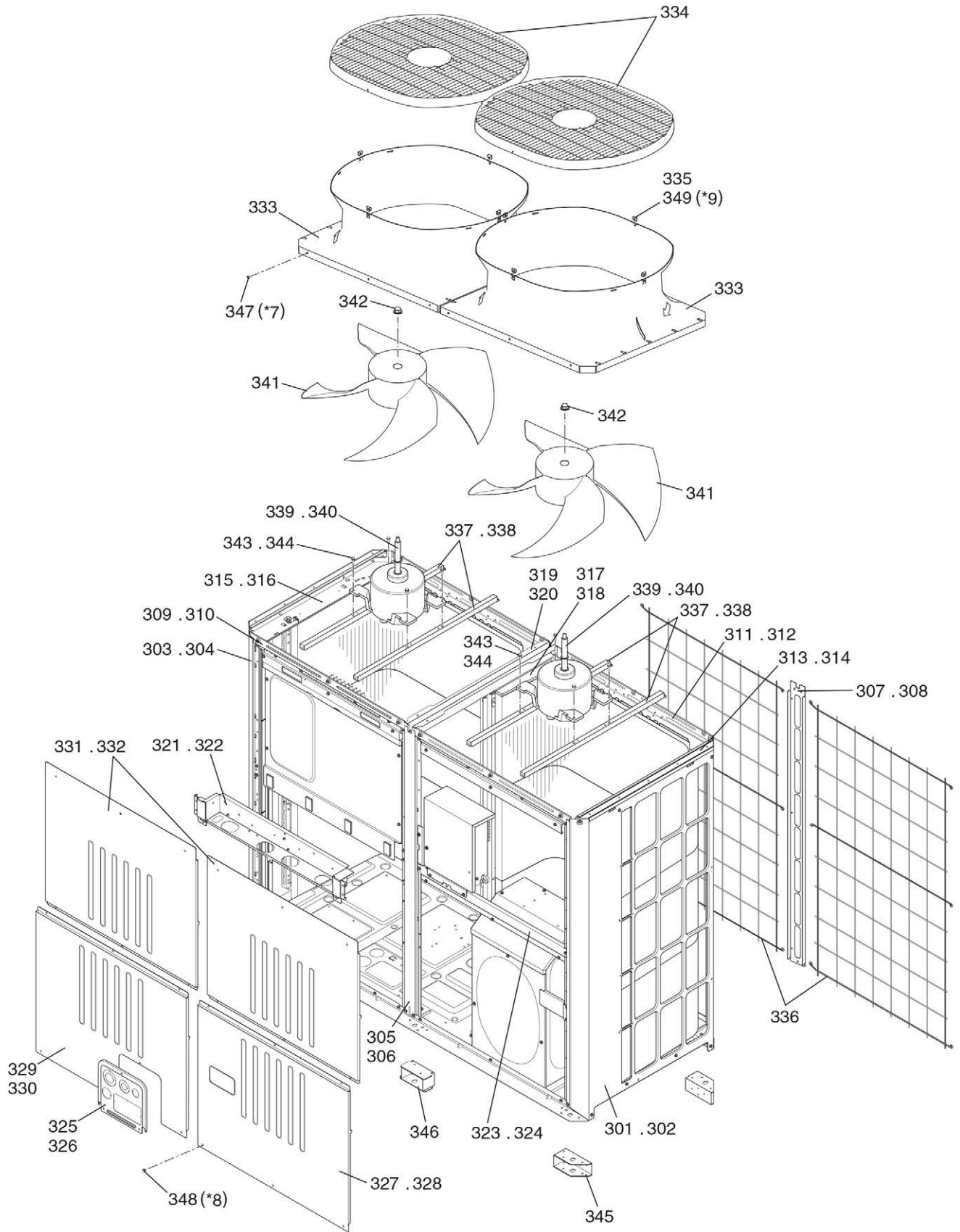
EXTERNAL PARTS & BLOWER PARTS (1)





PURY-EP400YLM-A(-BS)
 PURY-EP450YLM-A(-BS)
 PURY-EP500YLM-A(-BS)

EXTERNAL PARTS & BLOWER PARTS (3)



*7 52 WFT Screws (part No.347)

*8 149 H Screws (part No.348)

*9 8 WFT Screws (part No.349)

PURY-EP400YLM-A(-BS)
PURY-EP450YLM-A(-BS)
PURY-EP500YLM-A(-BS)

EXTERNAL PARTS & BLOWER PARTS (3)

No.	Part No.	G : RoHS Apply Only W : RoHS Apply by Running Change		Spec.	PURY-EP400YLM-A	PURY-EP400YLM-A-BS	PURY-EP450YLM-A	PURY-EP450YLM-A-BS	PURY-EP500YLM-A	PURY-EP500YLM-A-BS	Dwg. No.	Notes for the models	Revision info.
		Part Name											
301	R63 052 652	G	Panel R		1	1	1	1	1	1	KB02A370G05		
302	R63 053 652	G	Panel R	BS		1	1	1	1	1	KB02A370G06		
303	R63 050 652	G	Panel L		1	1	1	1	1	1	KB02A369G07		
304	R63 051 652	G	Panel L	BS		1	1	1	1	1	KB02A369G08		
305	R61 022 626	G	Pillar assy MF		1	1	1	1	1	1	KD00R845G09		
306	R61 023 626	G	Pillar assy MF	BS		1	1	1	1	1	KD00R845G10		
307	R61 030 626	G	Pillar assy MB		1	1	1	1	1	1	KD02M109G01		
308	R61 031 626	G	Pillar assy MB	BS		1	1	1	1	1	KD02M109G02		
309	R61 061 162	G	Frame assy F		1	1	1	1	1	1	KD00L182G03		
310	R61 094 162	G	Frame assy F	BS		1	1	1	1	1	KD00L182G07		
311	R61 020 160	G	Frame assy B		1	1	1	1	1	1	KJ00L536G01		
312	R61 021 160	G	Frame assy B	BS		1	1	1	1	1	KJ00L536G02		
313	R61 105 162	G	Frame assy LR		1	1	1	1	1	1	KJ00L538G01		
314	R61 106 162	G	Frame assy LR	BS		1	1	1	1	1	KJ00L538G02		
315	R61 016 160	G	Frame assy L		1	1	1	1	1	1	KJ00L537G01		
316	R61 017 160	G	Frame assy L	BS		1	1	1	1	1	KJ00L537G02		
317	R61 014 499	G	Plate HEX assy		1	1	1	1	1	1	KJ00L539G01		
318	R61 015 499	G	Plate HEX assy	BS		1	1	1	1	1	KJ00L539G02		
319	R61 072 162	G	Frame MT		1	1	1	1	1	1	KB02J833H01		
320	R61 073 162	G	Frame MT	BS		1	1	1	1	1	KB02J833G01		
321	R63 087 162	G	Frame assy M		1	1	1	1	1	1	KD00L159G09		
322	R63 088 162	G	Frame assy M	BS		1	1	1	1	1	KD00L159G10		
323	R61 058 162	G	Frame MR		1	1	1	1	1	1	KD02G743H04		
324	R61 059 162	G	Frame MR	BS		1	1	1	1	1	KD02G743G02		
325	R61 095 690	G	Piping cover		1	1	1	1	1	1	KB02L001G07		
326	R61 094 690	G	Piping cover	BS		1	1	1	1	1	KB02L001G08		
327	R61 212 651	G	Panel FBR		1	1	1	1	1	1	KB02J838H04		
328	R61 213 651	G	Panel FBR	BS		1	1	1	1	1	KB02J838G06		
329	R61 182 651	G	Panel FBL		1	1	1	1	1	1	KB02J837H02		
330	R61 183 651	G	Panel FBL	BS		1	1	1	1	1	KB02J837G04		
331	R61 177 651	G	Panel FU		2	2	2	2	2	2	KB02J839H01		
332	R61 178 651	G	Panel FU	BS		2	2	2	2	2	KB02J839G02		
333	R61 005 119	G	Bell mouth		2	2	2	2	2	2	KB25A367H03		
334	R11 003 009	G	Fan guard		2	2	2	2	2	2	KB25V019H01		
335	R61 009 669	G	Plate Fan guard		8	8	8	8	8	8	KD02D205H02		
336	R61 010 611	G	Fin guard B		2	2	2	2	2	2	KB07N272G01		
337	R61 016 140	G	Base fan		4	4	4	4	4	4	KD02D026H01		
338	R61 017 140	G	Base fan	BS		4	4	4	4	4	KD02D026G04		
339	R61 167 220	G	Motor	L-920-B4-1 Y AC380-400-920W	2	2	2	2			P780225X02		
340	R61 204 220	G	Motor						2	2	KB61A639G02	In-house produced motor	
341	R63 4H6 300	G	Fan		2	2	2	2	2	2	KB25A009H04		
342	R63 4H6 122	G	Box nut	M12 CH	2	2	2	2	2	2	P552000X01		
343	R61 028 087	G	Upset Screw	M6 × 22	8	8	8	8			P516049X01		
344	R63 014 087	G	Upset Screw	M6 × 10					8	8	P516047X01		
345	R61 016 130	G	Attachment leg		4	4	4	4	4	4	KD02T773G01		

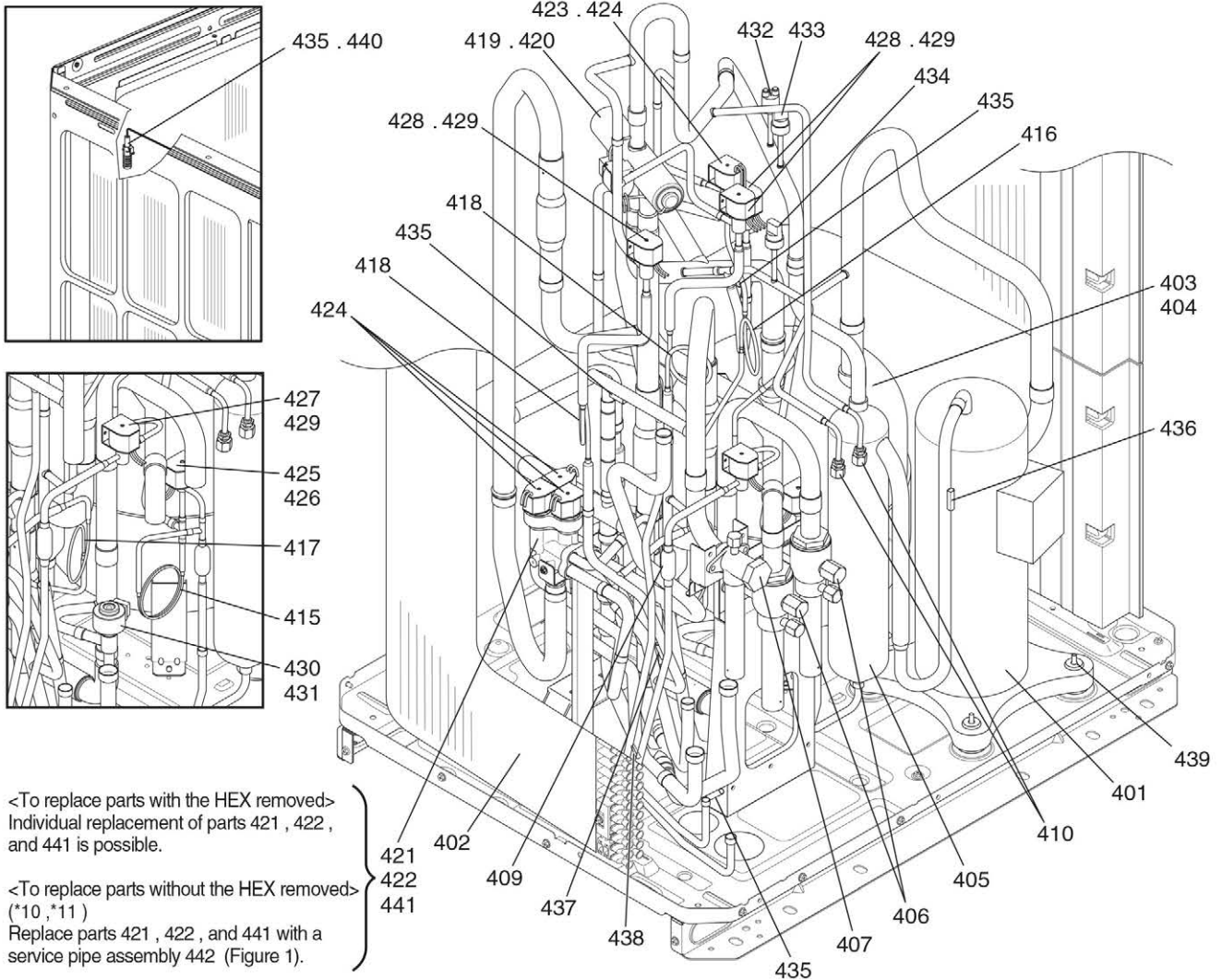
PURY-EP400YLM-A(-BS)
PURY-EP450YLM-A(-BS)
PURY-EP500YLM-A(-BS)

EXTERNAL PARTS & BLOWER PARTS (3)

No.	Part No.	G : RoHS Apply Only W : RoHS Apply by Running Change		Spec.	PURY-EP400YLM-A	PURY-EP400YLM-A-BS	PURY-EP450YLM-A	PURY-EP450YLM-A-BS	PURY-EP500YLM-A	PURY-EP500YLM-A-BS	Dwg. No.	Notes for the models	Revision info.
		Part Name											
346	R61 025 130	G	Attachment leg	XL	2	2	2	2	2	2	KD02T774G01		
347	R63 006 087	G	WFT Screw	M5 × 12 (30pcs)	2	2	2	2	2	2	KB00H418G01	*7	
348	R63 007 087	G	H Screw	M5 × 10 KNURLED (30pcs)	5	5	5	5	5	5	KB00H418G14	*8	
349	R63 029 087	G	WFT Screw	M5 × 16 (10pcs)	1	1	1	1	1	1	KD00H026G01	*9	

PURY-EP200YLM-A(-BS)
PURY-EP250YLM-A(-BS)

FUNCTIONAL PARTS (1)



<To replace parts with the HEX removed>
Individual replacement of parts 421, 422, and 441 is possible.

<To replace parts without the HEX removed>
(*10, *11)
Replace parts 421, 422, and 441 with a service pipe assembly 442 (Figure 1).

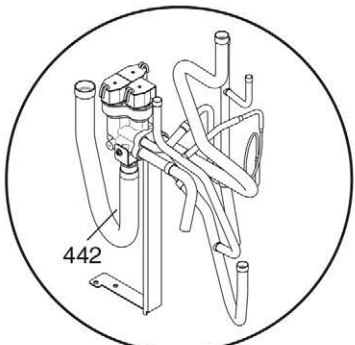
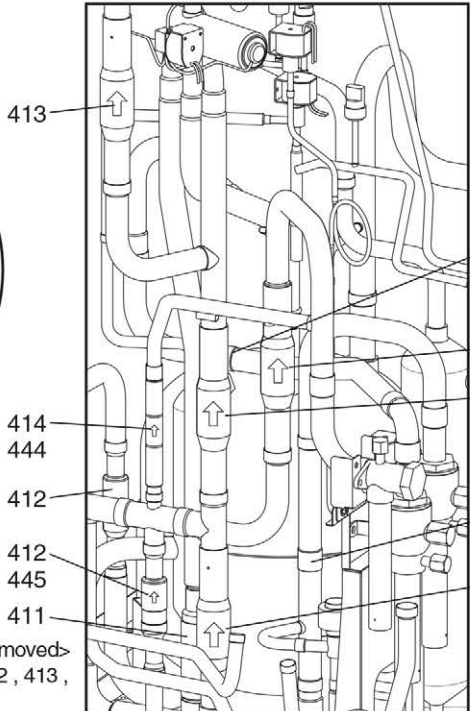
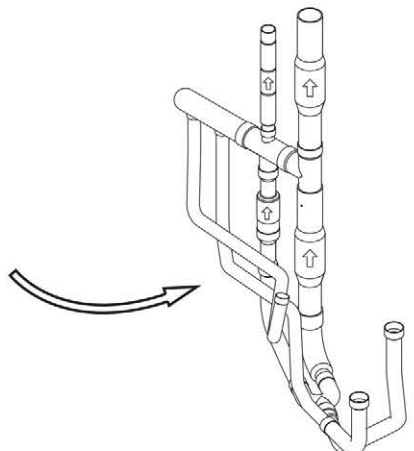


Figure 1



<To replace parts without the HEX removed>
(*10, *12)
Remove the solenoid valve block assembly (Figure 1), take the check valve assembly (see figure below) out of the unit, and replace parts 443, 444, 445.



<To replace parts with the HEX removed>
Individual replacement of parts 412, 413, and 414 is possible.

*10 Refer to the replacement instructions provided with parts 442, 443, 444, and 445 for details.

*11 A solenoid valve block assy and a sheet of replacement instructions are included with Solenoid valve block service parts kit (No. 442).
*12 A check valve and a sheet of replacement instructions are included with Service parts with instructions (No. 443, 444, 445).

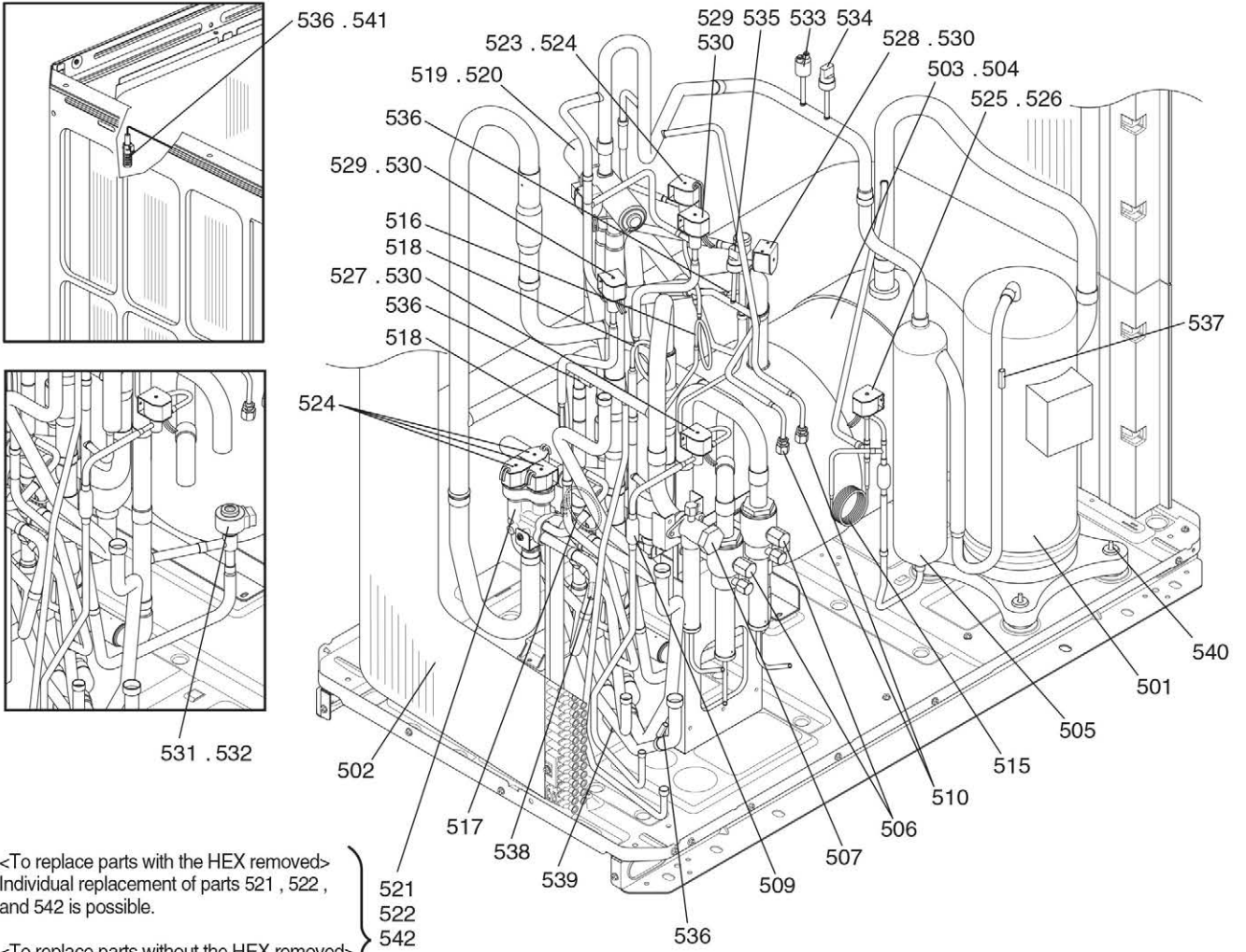
PURY-EP200YLM-A(-BS)
PURY-EP250YLM-A(-BS)

FUNCTIONAL PARTS (1)

No.	Part No.	G : RoHS Apply Only W : RoHS Apply by Running Change	Part Name	Spec.	PURY-EP200YLM-A	PURY-EP200YLM-A-BS	PURY-EP250YLM-A	PURY-EP250YLM-A-BS	Dwg. No.	Notes for the models	Revision info.
401	R69 103 478	G	Scroll compressor	ENB62FB-YE	1	1	1	1	EP10132B04		
402	R61 880 480	G	Heat exchanger	S	1	1	1	1	KD00S374G02		
403	R61 079 484	G	Accumulator assy		1		1		KB54B375G13		
404	R61 080 484	G	Accumulator assy	BS		1		1	KB54B375G14		
405	R61 044 487	G	Oil separator assy		1	1	1	1	KJ00L830G01		
406	R61 009 410	G	Ball valve	JA10YGME 4.15MPA D25	2	2	2	2	P636358X01	<(LP)BV1,BV3>	
407	R63 007 538	G	Valve	VSAMH8SSCM-LA1 D25.4	1	1	1	1	P636353X01	<(HP)BV2>	
408	R61 008 454	G	Strainer	25.4D	2	2	2	2	KB48K250G01	<ST1,ST8>	
409	R63 A42 454	G	Strainer	9.52	1	1	1	1	W882823G01	<ST18>	
410	R61 004 413	G	Check joint L	R410A	2	2	2	2	P666013X01	<(HP)CJ1,(LP)CJ2>	
411	R61 013 418	G	Check valve	ZYBV R410A	1	1	1	1	P633132X01	<CV2a>	
412	R61 019 418	G	Check valve	UCV-A1507DQ4	2	2	2	2	P633135X01	<CV3a,CV9a>	
413	R61 002 418	G	Check valve	YBV22 R410A 4.15MPA CV13	4	4	4	4	P639183X01	<CV4a,CV5a,CV7a,CV8a>	
414	R61 005 418	G	Check valve	YAV R410A CV3.5	1	1	1	1	P633133X01	<CV6a>	
415	R63 002 425	G	Capillary tube assy		1	1	1	1	KB49F229G01	<CP1>	
416	R61 008 425	G	Capillary tube assy		1	1	1	1	KB49H700G01	<CP2>	
417	R61 022 425	G	Capillary tube assy		1	1	1	1	KD49F641G01	<CP3>	
418	R61 013 425	G	Capillary tube assy		2	2	2	2	KB49K872G01	<CP4,CP5>	
419	R61 013 403	G	Four way valve	STF-H0731	1	1	1	1	P633130X01	<21S4a >	
420	R61 009 242	G	Four way valve coil	STF-01 220-240V	1	1	1	1	P472092X01	<21S4a >	
421	R61 038 232	G	Valve block assy	3SV	1	1	1	1	KB00T028G02		
422	R63 6A7 235	G	Solenoid valve	ACS METAL D32 ACS-BPMD-8	3	3	3	3	P631310X01	<SV4a,SV4b,SV4d>	
423	R63 Y07 232	G	Solenoid valve	ATS-A R410A	1	1	1	1	P631291X01	<SV9>	
424	R63 Y18 243	G	Solenoid valve coil	220-240V L2000	4	4	4	4	P472012X01	<SV4a,SV4b,SV4d,SV9>	
425	R63 046 232	G	Solenoid valve	FDF2A77 SV CV0.07	1	1	1	1	P631312X01	<SV1a>	
426	R63 032 243	G	Solenoid valve coil	FQG625 240V L1500	1	1	1	1	P472070X01	<SV1a>	
427	R63 027 232	G	Solenoid valve	VPV-L202D	1	1	1	1	P631296X01	<SV5b>	
428	R63 001 921	G	Solenoid valve	VPV-603DQ3	3	3	3	3	P631295X01	<SV7,SV10,SV11>	
429	R61 015 243	G	Solenoid valve coil	VPV Y2 AC220V-240V 50HZ	4	4	4	4	P472048X01	<SV5b,SV7,SV10,SV11>	
430	R61 036 401	G	Linear expansion valve	PAM BBO20TON CV	1	1	1	1	P632504X01	<LEV5a>	
431	R61 030 243	G	Solenoid valve coil	PAM WHITE L2000	1	1	1	1	P472081X01	<LEV5a>	
432	R63 Y11 208	G	Pressure switch	ACB1UB28W	1	1	1	1	P426320X01	<63H1>	
433	R63 049 288	G	Pressure sensor	HP	1	1	1	1	KB00H904G20	<63HS1>	
434	R63 050 288	G	Pressure sensor	LP	1	1	1	1	KB00H904G21	<63LS>	
435	R61 060 200	G	Thermistor	CHIP TH. 15KΩ	4	4	4	4	P418065X01	<TH3,TH5,TH7,TH9>	
436	R63 911 202	G	Thermistor		1	1	1	1	P425416X02	<TH4>	
437	R63 800 202	G	Thermistor		1	1	1	1	P425494X01	<TH6>	
438	R63 172 200	G	Thermistor		1	1	1	1	P418098X01	<TH11>	
439	R63 852 860	G	Rubber mount		4	4	4	4	W897574H01	For compressor	
440	R61 001 310	G	Sensor holder		1	1	1	1	KB25B471H03		
441	R63 6A7 245	G	SV tightening element		1	1	1	1	W909209G01		
442	R61 065 232	G	SV block service parts kit		1	1	1	1	KB00S879G30	*11	
443	R61 026 418	G	Check valve 1	(with instructions)	2	2	2	2	KB00S879G32	*12 <CV4a,CV8a>	
444	R61 027 418	G	Check valve 2	(with instructions)	1	1	1	1	KB00S879G33	*12 <CV6a>	
445	R61 028 418	G	Check valve 3	(with instructions)	1	1	1	1	KB00S879G34	*12 <CV9a>	

**PURY-EP300YLM-A(-BS)
PURY-EP350YLM-A(-BS)**

FUNCTIONAL PARTS (2)



<To replace parts with the HEX removed>
Individual replacement of parts 521, 522, and 542 is possible.

<To replace parts without the HEX removed>
(*13, *14)
Replace parts 521, 522, and 542 with a service pipe assembly 543 (Figure 1).

<To replace parts without the HEX removed>
(*13, *15)
Remove the solenoid valve block assembly (Figure 1), take the check valve assembly (see figure below) out of the unit, and replace parts 544, 545, 546.

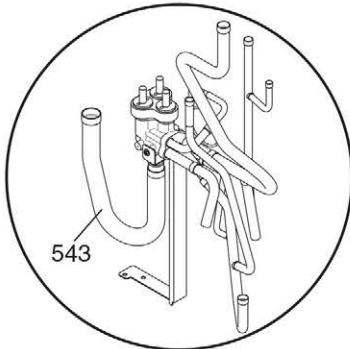
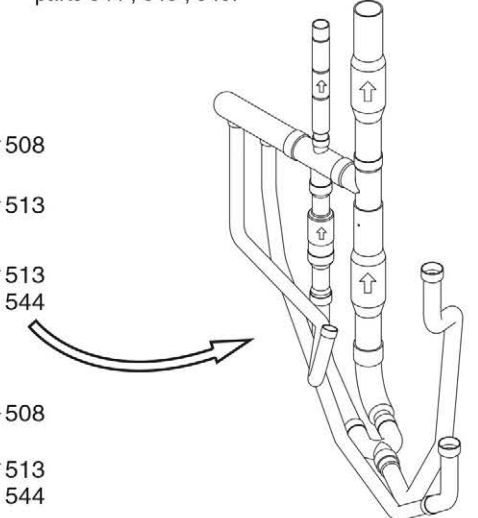
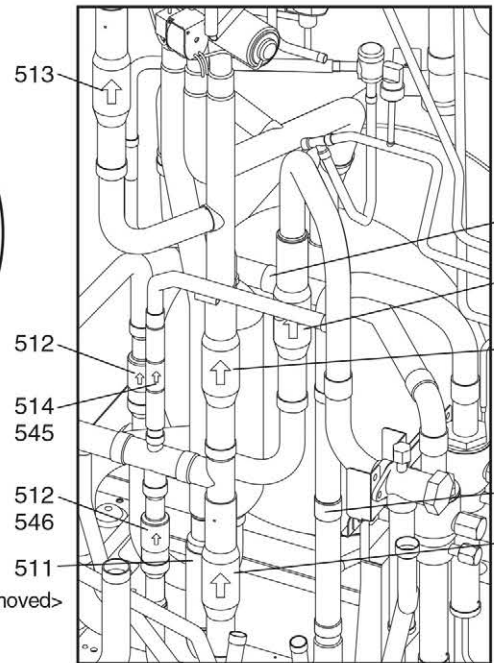


Figure 1



<To replace parts with the HEX removed>
Individual replacement of parts 512, 513, and 514 is possible.

*13 Refer to the replacement instructions provided with parts 543, 544, 545, and 546 for details.

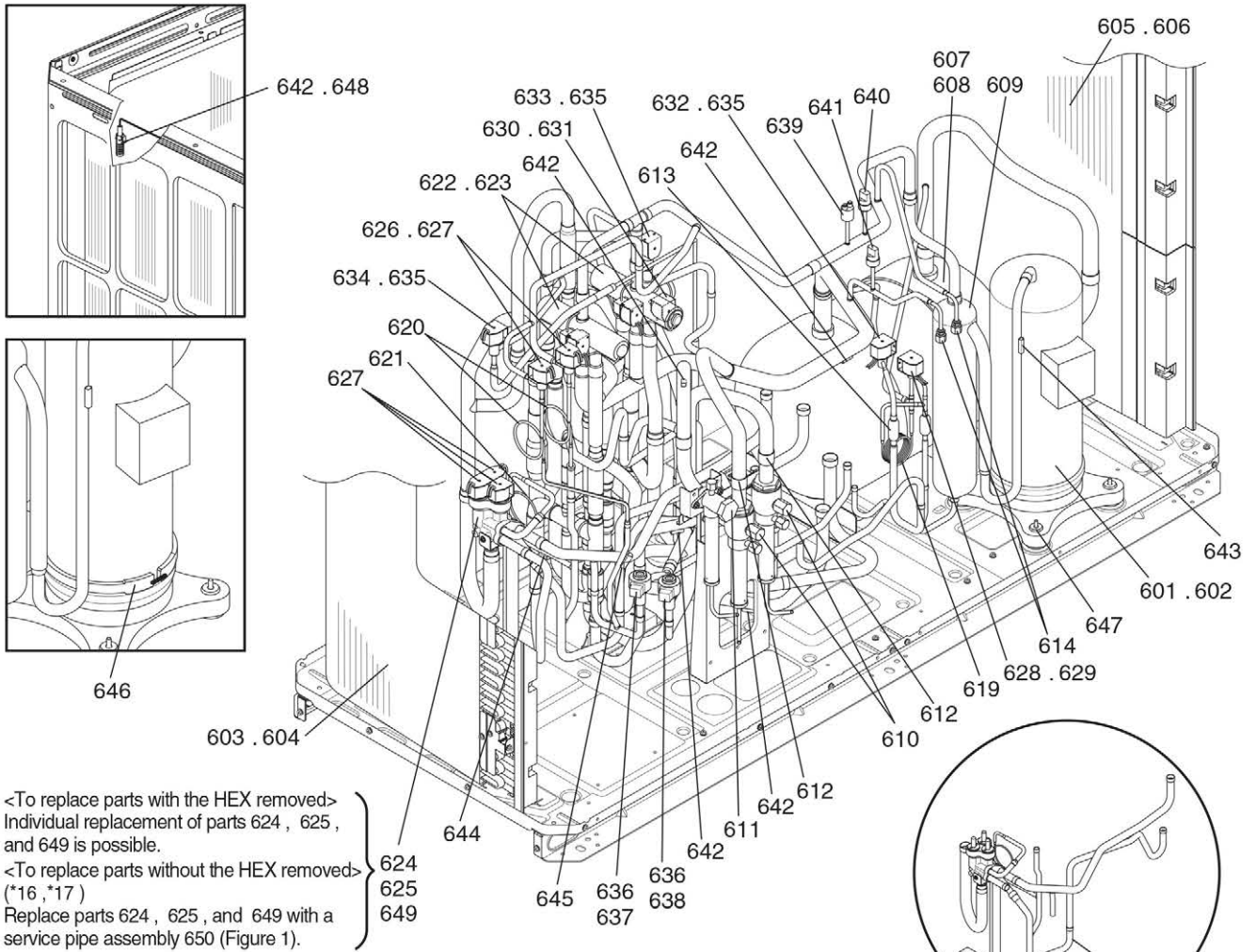
*14 A solenoid valve block assy and a sheet of replacement instructions are included with Solenoid valve block service parts kit (No. 543).
*15 A check valve and a sheet of replacement instructions are included with Service parts with instructions (No. 544, 545, 546).

No.	Part No.	G : RoHS Apply Only W : RoHS Apply by Running Change	Part Name	Spec.	PURY-EP300YLM-A	PURY-EP300YLM-A-BS	PURY-EP350YLM-A	PURY-EP350YLM-A-BS	Dwg. No.	Notes for the models	Revision info.
502	R61 868 480	G	Heat exchanger	L	1	1	1	1	KD00S375G01		
503	R61 118 484	G	Accumulator assy		1		1		KB54B479G33		
504	R61 119 484	G	Accumulator assy	BS		1		1	KB54B479G34		
505	R61 044 487	G	Oil separator assy		1	1	1	1	KJ00L830G01		
506	R61 009 410	G	Ball valve	JA10YGME 4.15MPA D25	2	2	2	2	P636358X01	<(LP)BV1,BV3>	
507	R63 007 538	G	Valve	VSAMH8SSCM-LA1 D25.4	1	1	1	1	P636353X01	<(HP)BV2>	
508	R61 008 454	G	Strainer	25.4D	2	2	2	2	KB48K250G01	<ST1,ST8>	
509	R63 A42 454	G	Strainer	9.52	1	1	1	1	W882823G01	<ST18>	
510	R61 004 413	G	Check joint L	R410A	2	2	2	2	P666013X01	<(HP)CJ1,(LP)CJ2>	
511	R61 013 418	G	Check valve	ZYBV R410A	1	1	1	1	P633132X01	<CV2a>	
512	R61 019 418	G	Check valve	UCV-A1507DQ4	2	2	2	2	P633135X01	<CV3a,CV9a>	
513	R61 002 418	G	Check valve	YBV22 R410A 4.15MPA CV13	4	4	4	4	P639183X01	<CV4a,CV5a,CV7a,CV8a>	
514	R61 005 418	G	Check valve	YAV R410A CV3.5	1	1	1	1	P633133X01	<CV6a>	
515	R63 R55 425	G	Capillary tube assy		1	1	1	1	W905191G02	<CP1>	
516	R61 008 425	G	Capillary tube assy		1	1	1	1	KB49H700G01	<CP2>	
517	R61 022 425	G	Capillary tube assy		1	1	1	1	KD49F641G01	<CP3>	
518	R63 021 425	G	Capillary tube assy		2	2	2	2	KD49D414G01	<CP4,CP5>	
519	R61 013 403	G	Four way valve	STF-H0731	1	1	1	1	P633130X01	<21S4a >	
520	R61 009 242	G	Four way valve coil	STF-01 220-240V	1	1	1	1	P472092X01	<21S4a >	
521	R61 038 232	G	Valve block assy	3SV	1	1	1	1	KB00T028G02		
522	R63 6A7 235	G	Solenoid valve	ACS METAL D32 ACS-BPMD-8	3	3	3	3	P631310X01	<SV4a,SV4b,SV4d>	
523	R63 Y07 232	G	Solenoid valve	ATS-A R410A	1	1	1	1	P631291X01	<SV9>	
524	R63 Y18 243	G	Solenoid valve coil	220-240V L2000	4	4	4	4	P472012X01	<SV4a,SV4b,SV4d,SV9>	
525	R63 046 232	G	Solenoid valve	FD2A77 SV CV0.07	1	1	1	1	P631312X01	<SV1a>	
526	R63 032 243	G	Solenoid valve coil	FQG625 240V L1500	1	1	1	1	P472070X01	<SV1a>	
527	R63 027 232	G	Solenoid valve	VPV-L202D	1	1	1	1	P631296X01	<SV5b>	
528	R61 040 232	G	Solenoid valve	VPV-803DQ50	1	1	1	1	P631300X01	<SV7>	
529	R63 001 921	G	Solenoid valve	VPV-603DQ3	2	2	2	2	P631295X01	<SV10,SV11>	
530	R61 015 243	G	Solenoid valve coil	VPV Y2 AC220V-240V 50HZ	4	4	4	4	P472048X01	<SV5b,SV7,SV10,SV11>	
531	R61 036 401	G	Linear expansion valve	PAM BBO20TON CV	1	1	1	1	P632504X01	<LEV5a>	
532	R61 030 243	G	Solenoid valve coil	PAM WHITE L2000	1	1	1	1	P472081X01	<LEV5a>	
533	R63 Y11 208	G	Pressure switch	ACB1UB28W	1	1	1	1	P426320X01	<63H1>	
534	R63 049 288	G	Pressure sensor	HP	1	1	1	1	KB00H904G20	<63HS1>	
535	R63 050 288	G	Pressure sensor	LP	1	1	1	1	KB00H904G21	<63LS>	
536	R61 060 200	G	Thermistor	CHIP TH. 15KΩ	4	4	4	4	P418065X01	<TH3,TH5,TH7,TH9>	
537	R63 911 202	G	Thermistor		1	1	1	1	P425416X02	<TH4>	
538	R63 800 202	G	Thermistor		1	1	1	1	P425494X01	<TH6>	
539	R63 172 200	G	Thermistor		1	1	1	1	P418098X01	<TH11>	
540	R63 852 860	G	Rubber mount		4	4	4	4	W897574H01	For compressor	
541	R61 001 310	G	Sensor holder		1	1	1	1	KB25B471H03		
542	R63 6A7 245	G	SV tightening element		1	1	1	1	W909209G01		
543	R61 066 232	G	SV block service parts kit		1	1	1	1	KB00S879G31	*14	
544	R61 026 418	G	Check valve 1	(with instructions)	2	2	2	2	KB00S879G32	*15 <CV4a,CV8a>	
545	R61 027 418	G	Check valve 2	(with instructions)	1	1	1	1	KB00S879G33	*15 <CV6a>	

No.	Part No.	G : RoHS Apply Only W : RoHS Apply by Running Change		Spec.	PURY-EP300YLM-A	PURY-EP300YLM-A-BS	PURY-EP350YLM-A	PURY-EP350YLM-A-BS	Dwg. No.	Notes for the models	Revision info.
		Part Name									
546	R61 028 418	G	Check valve 3	(with instructions)	1	1	1	1	KB00S879G34	*15 <CV9a>	

PURY-EP400YLM-A(-BS)
 PURY-EP450YLM-A(-BS)
 PURY-EP500YLM-A(-BS)

FUNCTIONAL PARTS (3)



<To replace parts with the HEX removed>
 Individual replacement of parts 624 , 625 ,
 and 649 is possible.

<To replace parts without the HEX removed>
 (*16 , *17)
 Replace parts 624 , 625 , and 649 with a
 service pipe assembly 650 (Figure 1).

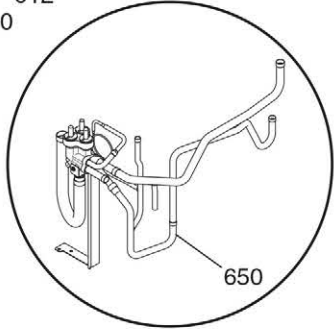
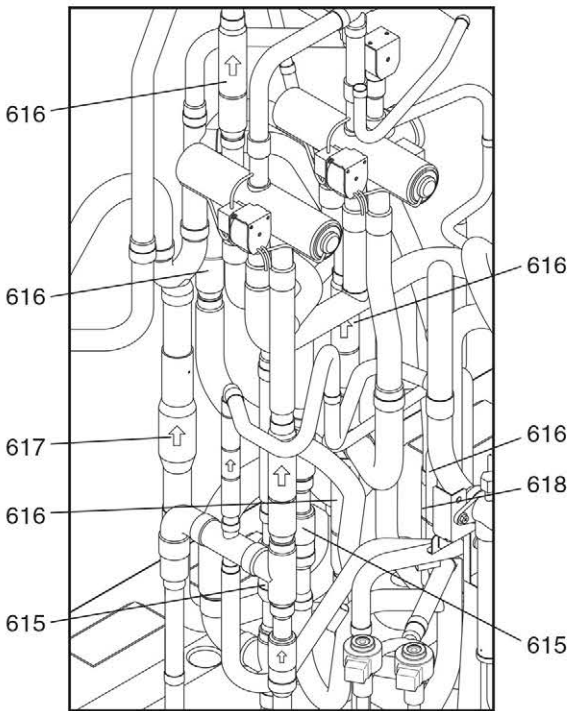
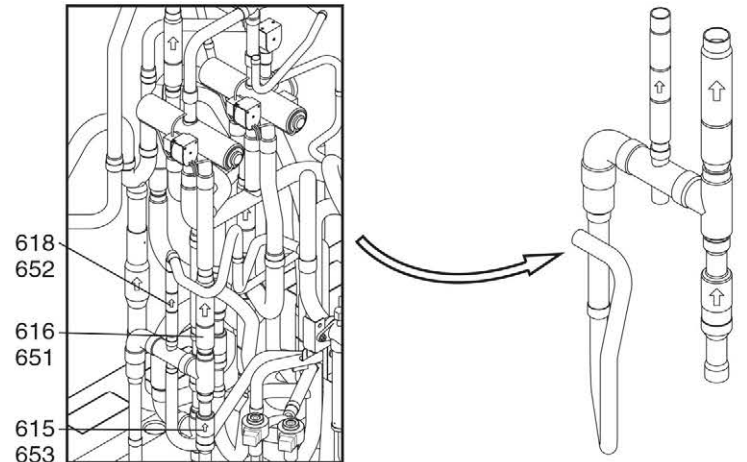


Figure 1



<To replace parts without the HEX removed>(*16 , *18)
 Remove the solenoid valve block assembly (Figure 1) , take the check valve
 assembly (see figure below) out of the unit, and replace parts 651 , 652 , 653.



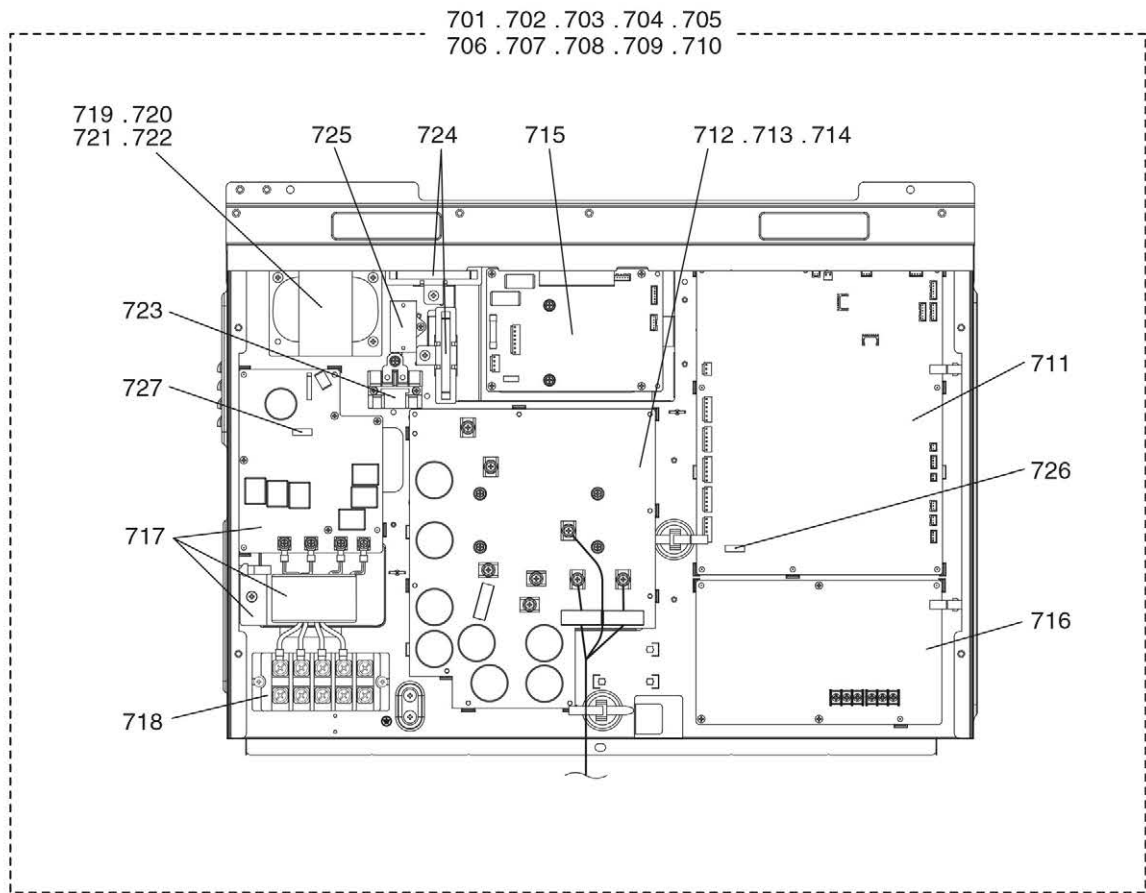
<To replace parts with the HEX removed>
 Individual replacement of parts 615 , 616 , and 618 is possible.

*16 Refer to the replacement instructions provided with parts 650 , 651 , 652 , and 653 for details.
 *17 A solenoid valve block assy and a sheet of replacement instructions are included with Solenoid valve block service parts kit (No. 650).
 *18 A check valve and a sheet of replacement instructions are included with Service parts with instructions (No. 651 , 652 , 653).

No.	Part No.	G : RoHS Apply Only W : RoHS Apply by Running Change	Part Name	Spec.	PURY-EP400YLM-A	PURY-EP400YLM-A-BS	PURY-EP450YLM-A	PURY-EP450YLM-A-BS	PURY-EP500YLM-A	PURY-EP500YLM-A-BS	Dwg. No.	Notes for the models	Revision info.
601	R69 118 478	G	Scroll compressor	HNB84FC-YE	1	1	1	1			EP10126B04		
602	R69 119 478	G	Scroll compressor	HNB84FD-YE					1	1	EP10126B05		
603	R61 881 480	G	Heat exchanger L	XL	1		1		1		KD00S381G01		
604	R61 883 480	G	Heat exchanger L	XL BS		1		1		1	KD00S381G02		
605	R61 885 480	G	Heat exchanger R	XL	1		1		1		KD00S380G01		
606	R61 886 480	G	Heat exchanger R	XL BS		1		1		1	KD00S380G02		
607	R61 120 484	G	Accumulator assy		1		1		1		KB54B479G35		
608	R61 121 484	G	Accumulator assy	BS		1		1		1	KB54B479G36		
609	R61 044 487	G	Oil separator assy		1	1	1	1	1	1	KJ00L830G01		
610	R61 009 410	G	Ball valve	JA10YGME 4.15MPA D25	2	2	2	2	2	2	P636358X01	<(LP)BV1,BV3>	
611	R63 007 538	G	Valve	VSAMH8SSCM-LA1 D25.4	1	1	1	1	1	1	P636353X01	<(HP)BV2>	
612	R61 008 454	G	Strainer	25.4D	2	2	2	2	2	2	KB48K250G01	<ST1,ST8>	
613	R63 A42 454	G	Strainer	9.52	1	1	1	1	1	1	W882823G01	<ST18>	
614	R61 004 413	G	Check joint L	R410A	2	2	2	2	2	2	P666013X01	<(HP)CJ1,(LP)CJ2>	
615	R61 019 418	G	Check valve	UCV-A1507DQ4	3	3	3	3	3	3	P633135X01	<CV2a,CV2b,CV8a>	
616	R61 003 418	G	Check valve	LCVP157M CV8.5	6	6	6	6	6	6	P639180X01	<CV4a,CV4b,CV5a,CV5b,CV7a,CV7b>	
617	R61 002 418	G	Check valve	YBV22 R410A 4.15MPA CV13	1	1	1	1	1	1	P639183X01	<CV3a>	
618	R61 005 418	G	Check valve	YAV R410A CV3.5	2	2	2	2	2	2	P633133X01	<CV6a,CV6b>	
619	R63 R55 425	G	Capillary tube assy		1	1	1	1	1	1	W905191G02	<CP1>	
620	R61 008 425	G	Capillary tube assy		2	2	2	2	2	2	KB49H700G01	<CP2,CP4>	
621	R61 022 425	G	Capillary tube assy		1	1	1	1	1	1	KD49F641G01	<CP3>	
622	R61 013 403	G	Four way valve	STF-H0731	2	2	2	2	2	2	P633130X01	<21S4a ,21S4b>	
623	R61 009 242	G	Four way valve coil	STF-01 220-240V	2	2	2	2	2	2	P472092X01	<21S4a ,21S4b>	
624	R61 038 232	G	Valve block assy	3SV	1	1	1	1	1	1	KB00T028G02		
625	R63 6A7 235	G	Solenoid valve	ACS METAL D32 ACS-BPMD-8	3	3	3	3	3	3	P631310X01	<SV4a,SV4b,SV4d>	
626	R63 Y07 232	G	Solenoid valve	ATS-A R410A	2	2	2	2	2	2	P631291X01	<SV9,SV10>	
627	R63 Y18 243	G	Solenoid valve coil	220-240V L2000	5	5	5	5	5	5	P472012X01	<SV4a,SV4b,SV4d,SV9,SV10>	
628	R63 046 232	G	Solenoid valve	FDF2A77 SV CV0.07	1	1	1	1	1	1	P631312X01	<SV1a>	
629	R63 032 243	G	Solenoid valve coil	FQG625 240V L1500	1	1	1	1	1	1	P472070X01	<SV1a>	
630	R63 P89 232	G	Solenoid valve	SR6PF-06WR	1	1	1	1	1	1	P631278X01	<SV4c>	
631	R61 007 243	G	Solenoid valve coil	SR10D AC230V	1	1	1	1	1	1	P472030X02	<SV4c>	
632	R63 027 232	G	Solenoid valve	VPV-L202D	1	1	1	1	1	1	P631296X01	<SV5b>	
633	R61 040 232	G	Solenoid valve	VPV-803DQ50	1	1	1	1	1	1	P631300X01	<SV7>	
634	R63 001 921	G	Solenoid valve	VPV-603DQ3	1	1	1	1	1	1	P631295X01	<SV11>	
635	R61 015 243	G	Solenoid valve coil	VPV Y2 AC220V-240V 50HZ	3	3	3	3	3	3	P472048X01	<SV5b,SV7,SV11>	
636	R61 036 401	G	Linear expansion valve	PAM BBO20TON CV	2	2	2	2	2	2	P632504X01	<LEV5a,LEV5b>	
637	R61 030 243	G	Solenoid valve coil	PAM WHITE L2000	1	1	1	1	1	1	P472081X01	<LEV5a>	
638	R61 022 243	G	Solenoid valve coil	PAM DC12V 6POLE	1	1	1	1	1	1	P472061X02	<LEV5b>	
639	R63 Y11 208	G	Pressure switch	ACB1UB28W	1	1	1	1	1	1	P426320X01	<63H1>	
640	R63 052 288	G	Pressure sensor	0-4.15MPA NSK-BD042D	1	1	1	1	1	1	KB00H904G22	<63HS1>	
641	R63 053 288	G	Pressure sensor	0-1.7MPA NSK-BD017D	1	1	1	1	1	1	KB00H904G23	<63LS>	
642	R61 060 200	G	Thermistor	CHIP TH. 15KΩ	5	5	5	5	5	5	P418065X01	<TH3,TH5,TH7,TH9,TH12>	
643	R63 911 202	G	Thermistor		1	1	1	1	1	1	P425416X02	<TH4>	
644	R63 800 202	G	Thermistor		1	1	1	1	1	1	P425494X01	<TH6>	
645	R63 172 200	G	Thermistor		1	1	1	1	1	1	P418098X01	<TH11>	

PURY-EP200,EP250YLM-A(-BS)
PURY-EP300,EP350YLM-A(-BS)
PURY-EP400,EP450YLM-A(-BS)

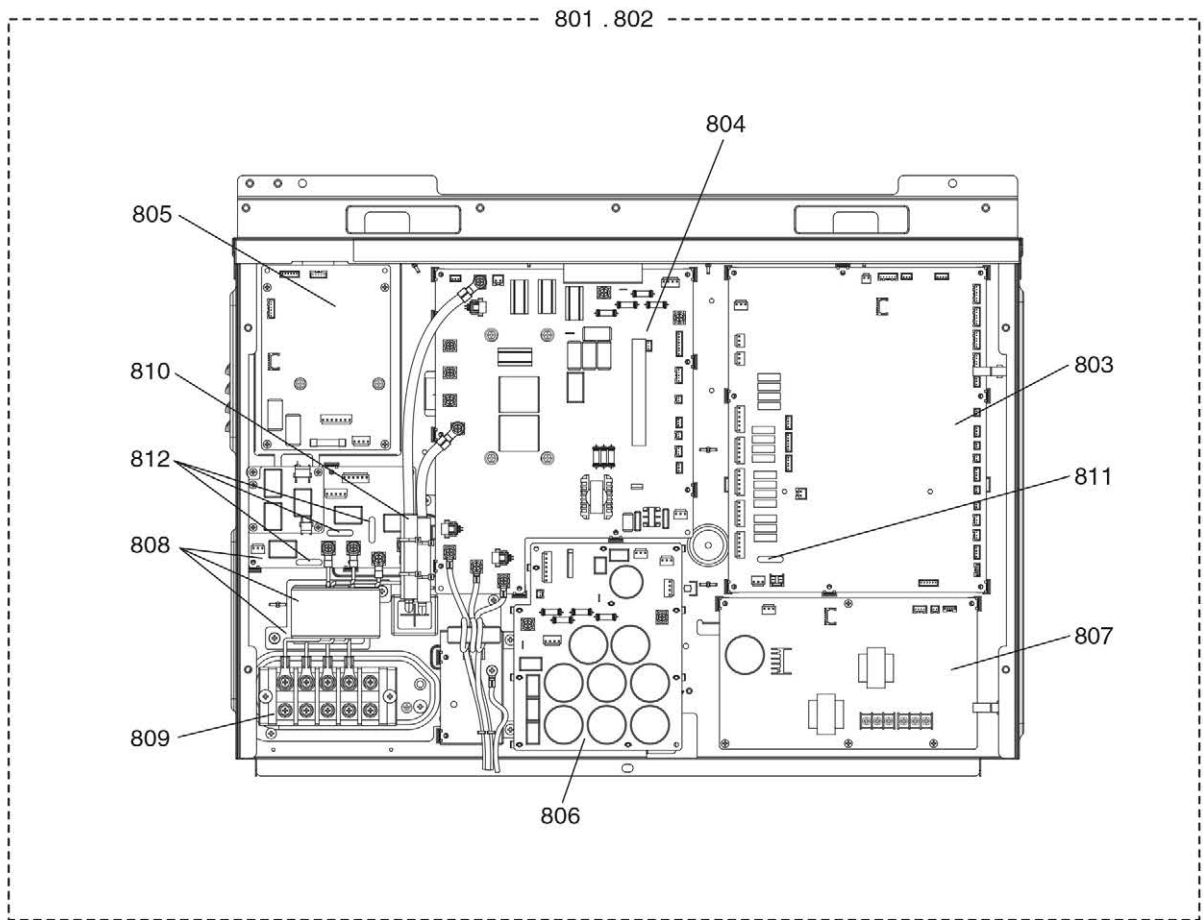
CONTROL BOX PARTS (1)



**PURY-EP200,EP250YLM-A(-BS)
PURY-EP300,EP350YLM-A(-BS)
PURY-EP400,EP450YLM-A(-BS)**

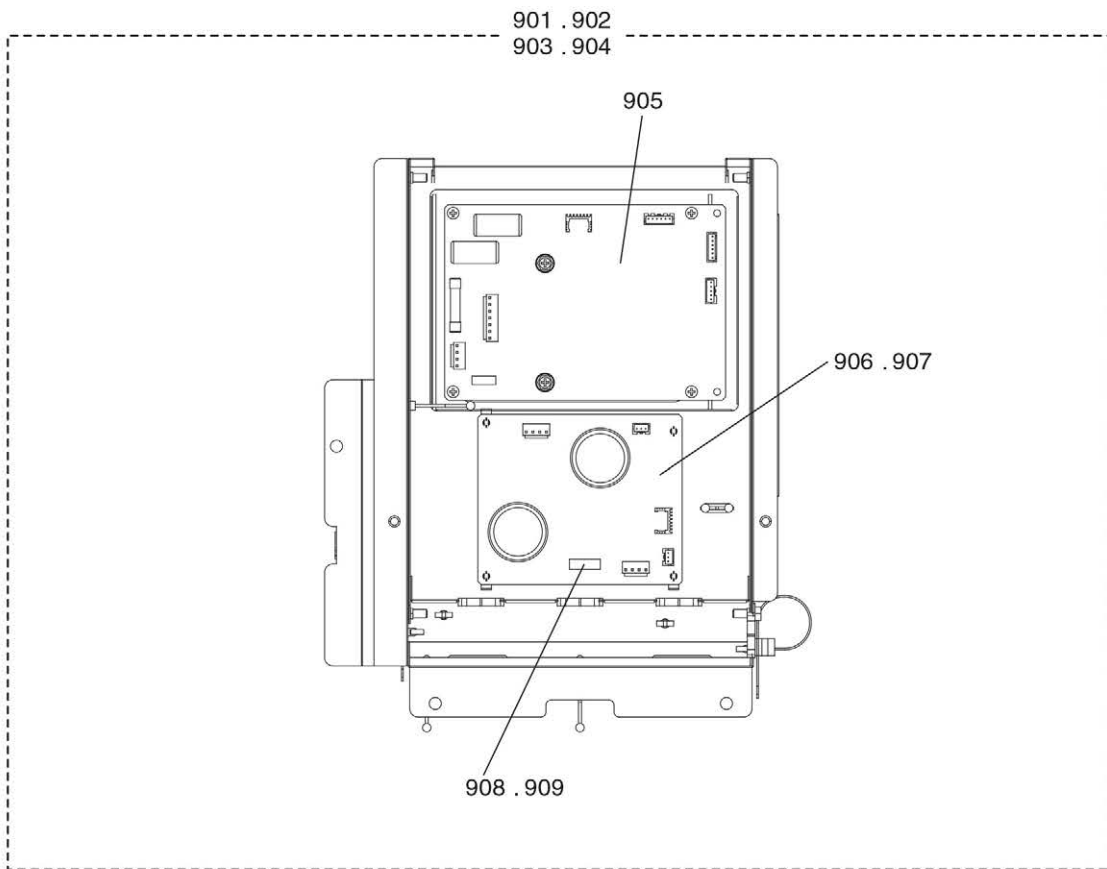
CONTROL BOX PARTS (1)

No.	Part No.	G : RoHS Apply Only W : RoHS Apply by Running Change	Part Name	Spec.	PURY-EP200YLM-A	PURY-EP200YLM-A-BS	PURY-EP250YLM-A	PURY-EP250YLM-A-BS	PURY-EP300YLM-A	PURY-EP300YLM-A-BS	Dwg. No.	Notes for the models	Revision info.
702	R61 585 305	G	Control box	R-EP200 BS		1					KE80C542GA4		
703	R61 586 305	G	Control box	R-EP250			1				KE80C542GA5		
704	R61 587 305	G	Control box	R-EP250 BS				1			KE80C542GA6		
705	R61 588 305	G	Control box	R-EP300					1		KE80C542GA7		
706	R61 589 305	G	Control box	R-EP300 BS						1	KE80C542GA8		
707	R61 590 305	G	Control box	R-EP350							KE80C542GA9		
708	R61 591 305	G	Control box	R-EP350 BS							KE80C542GB0		
709	R61 594 305	G	Control box	R-EP400							KE80C542GB3		
710	R61 595 305	G	Control box	R-EP400 BS							KE80C542GB4		
711	R61 308 280	G	Control board		1	1	1	1	1	1	KE80C836G05	<MAIN09>	
712	R61 299 280	G	INV board		1	1	1	1			KE80C154G15	<INV20Y>	
713	R61 302 280	G	INV board						1	1	KE80C154G16	<INV20Y>	
714	R61 303 280	G	INV board								KE80C154G17	<INV20Y>	
715	R61 304 280	G	FAN board		1	1	1	1	1	1	W652171G18	<INV/S12Y>	
716	R63 187 280	G	M-NET board		1	1	1	1	1	1	KE80C055G06	<PS-MNET-Y>	
717	R61 028 293	G	Noise filter	board,coil,plate	1	1	1	1	1	1	KE80C727G03		
718	R61 007 246	G	Terminal block		1	1	1	1	1	1	S436005H12	<TB1>	
719	R61 017 259	G	Reactor		1	1					P715458X01	<DCL>	
720	R61 027 259	G	Reactor				1	1			P715476X02	<DCL>	
721	R61 028 259	G	Reactor						1	1	P715475X02	<DCL>	
722	R61 012 259	G	Reactor								P715441X02	<DCL>	
723	R61 003 216	G	Relay		1	1	1	1	1	1	P421295X01	<72C>	
724	R61 001 234	G	Resistor		2	2	2	2	2	2	P411151X01	<R1,R5>	
725	R61 001 255	G	Capacitor assy		1	1	1	1	1	1	KE00D263G01	<C100>	
726	R61 005 239	G	Fuse	3.15A AC250V T	1	1	1	1	1	1	S423001H39		
727	R61 006 239	G	Fuse	6.3A AC250V T	1	1	1	1	1	1	S423001H42		



PURY-EP400YLM-A(-BS)
PURY-EP450YLM-A(-BS)
PURY-EP500YLM-A(-BS)

FAN BOX PARTS



PURY-EP400YLM-A(-BS)
PURY-EP450YLM-A(-BS)
PURY-EP500YLM-A(-BS)

FAN BOX PARTS

No.	Part No.	G : RoHS Apply Only W : RoHS Apply by Running Change	Part Name	Spec.	PURY-EP400YLM-A	PURY-EP450YLM-A-BS	PURY-EP450YLM-A	PURY-EP450YLM-A-BS	PURY-EP500YLM-A	PURY-EP500YLM-A-BS	Dwg. No.	Notes for the models	Revision info.
901	R61 580 305	G	FAN box		1		1				KE80C721G11		
902	R61 581 305	G	FAN box			1	1				KE80C721G12		
903	R61 582 305	G	FAN box						1		KE80C721G13		
904	R61 583 305	G	FAN box							1	KE80C721G14		
905	R61 304 280	G	FAN board		1	1	1	1	1	1	W652171G18	<INV/S12Y>	
906	R63 194 280	G	Connect board		1	1	1	1			KE80C725G02	<CONNECT01>	
907	R61 307 280	G	Connect board						1	1	KE80C725G03	<CONNECT01YC>	
908	R12 001 964	G	Fuse		1	1	1	1			S423001H40		
909	R61 016 239	G	Fuse						1	1	S423001H36		

mitsubishi
electric
corporation

BWE014130 (20141130)