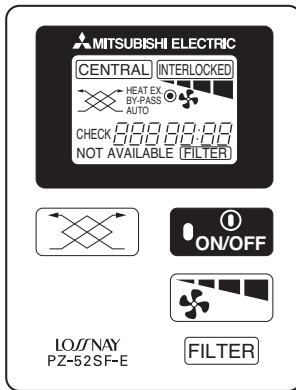


2-7. LOSSNAY remote controller
PZ-52SF



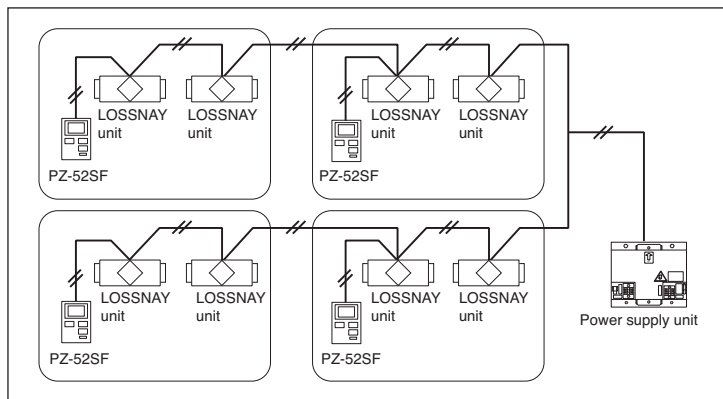
- Stand-alone LOSSNAY operation is possible by commands from a centralized controller or LOSSNAY remote controller (G-50A supports LOSSNAY operation).
- The LOSSNAY remote controller is capable of changing the air flow and vent modes.
- All the wiring is cross-wiring that uses non-polar two wire system signal cables.
 - *: When setting up a LOSSNAY stand-alone system or when setting up a LOSSNAY and centralized controller system, connect a power supply unit for the signal cables.
 - *: It is impossible to use a LOSSNAY remote controller for LOSSNAY unit that is interlocked other indoor unit (except for some models).

■ Functions

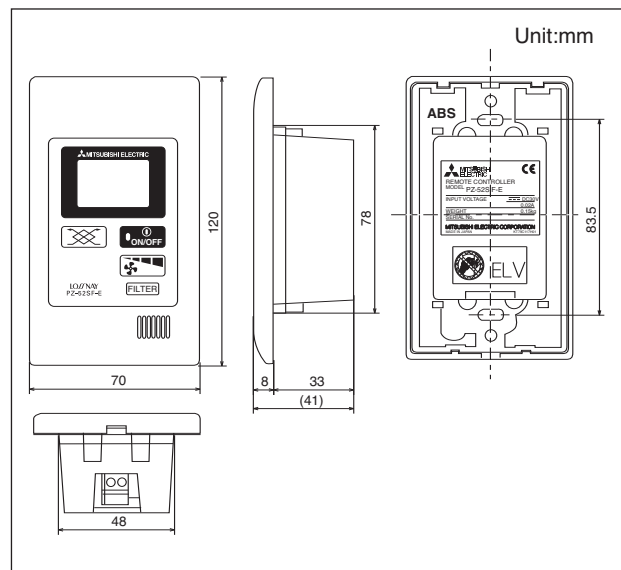
□:Each unit ○:Each group ●:Each block
△:Each floor ◎:Collective X:Not available

Item	Description	Operations	Display
ON/OFF	Run and stop operation for a LOSSNAY unit	○	○
Operation mode switching	Switches between automatic ventilation/ vent - heat interchange/ normal ventilation Note: Operation modes vary depending on the model. When connecting to only models without a damper, these models cannot be used. ("NOT AVAILABLE" will appear in the display.)	○	○
Temperature setting	Not available	X	X
Fan speed setting	Models with 2 air flow speed settings: Hi/Low When only connected to single notch models, this function is disabled.	○	○
Air flow direction setting	Not available	X	X
Timer operation	Not available	X	X
Permit / Prohibit local operation	Individually prohibit operation of each local remote control function (Start/Stop, Reset filter). *:1: When the local remote controller inactivation command is received from a master system controller, "CENTRAL" is displayed.	X	○ ^{*1}
Indoor unit intake temperature	Not available	X	X
Error	When an error occurs on the air conditioner unit, the operation lamp on the signal receiving unit will flash.	X	□
Test run	There is no test run switch for LOSSNAY remote controllers. Set test run on a LOSSNAY by using the test run switch on the LOSSNAY unit. *:2: Cancel by operating the start/stop switch after switching off the LOSSNAY unit test run switch.	X ^{*2}	○
Ventilation equipment	Up to 16 indoor units can be connected to an interlocked system that has one LOSSNAY.	○	○
Interlocked operation	This is displayed to indicate it is being operated by an operation control unit's external control terminal for an interlocked system that contains LOSSNAY units and indoor units.	X	○

■ System example



■ External dimension

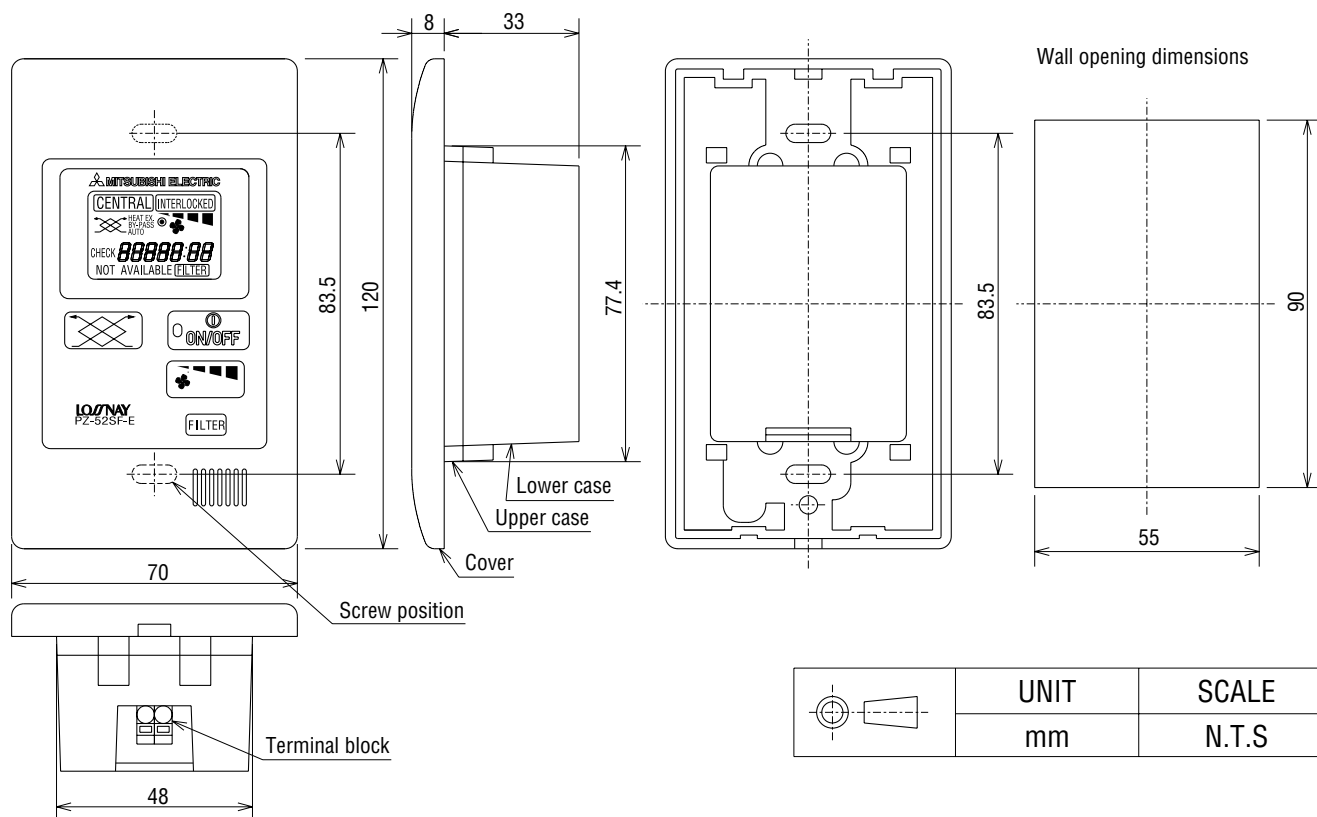


TYPE	LOSSNAY REMOTE CONTROLLER	VOLUME	
MODEL	PZ-52SF	SIGN	

■ Specifications

Model	PZ-52SF
Power supply requirement	Input voltage 17-30 VCD, 0.02 A Power received from an outdoor unit or power supply unit via M-NET transmission line.
Control signal	Serial signal communication (M-NET transmission)
Transmission line	Non-polarized 2-wire VCTF or CVV (2-core) 0.75-1.25 mm ² or equivalent.
Total wiring length	500 m maximum
Number of controllable Lossnay units	16 Lossnay units maximum
Environmental condition	Temperature: 0 to 40 °C Humidity: no more than 90 % RH (no condensation)
Weight	0.12 kg
Color	Munsell 4.48Y7.92/0.66

■ Drawings and Dimensions

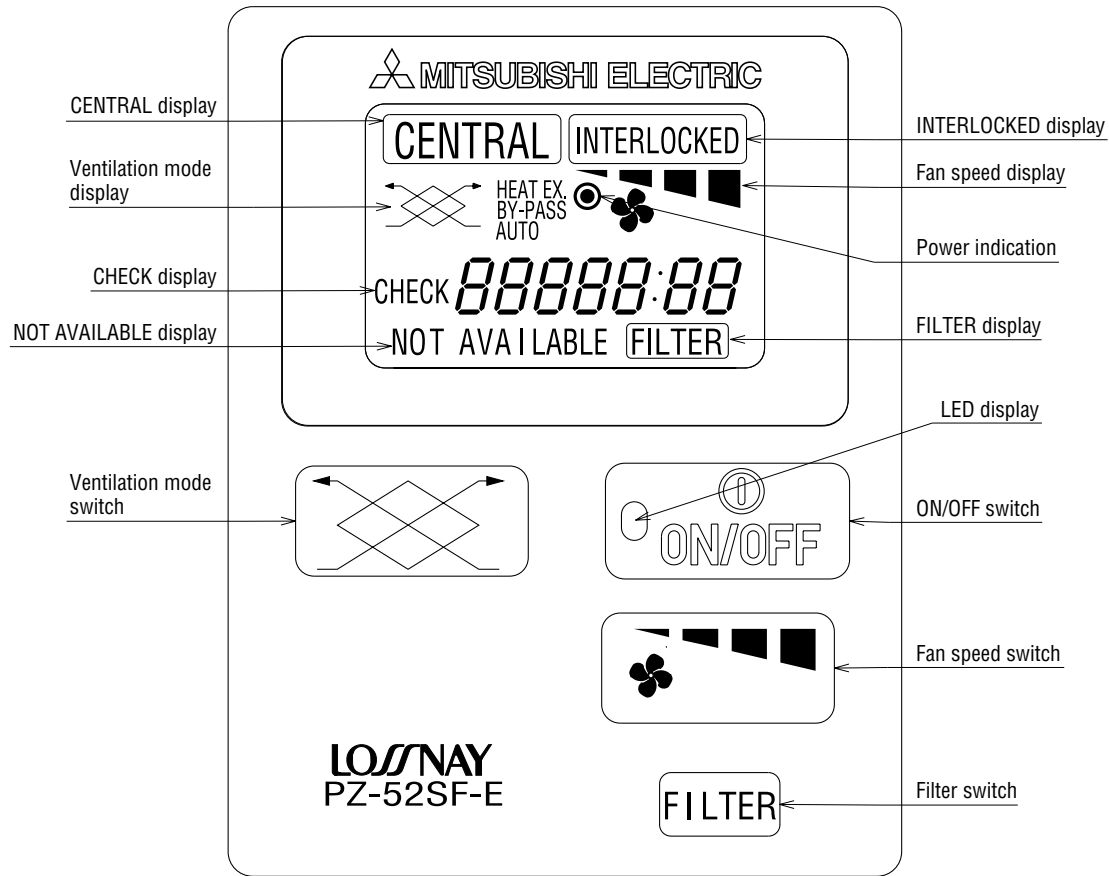


- * Use the cable of transmission line specified below.
Cable type: VCTF or CVV (2-core) 0.75-1.25 mm² or equivalent.
CVV is a control cable which is sheathed in polyvinyl chloride with polyvinyl insulated wires inside.
- * If you need to use a cable extension longer than 10 m, select an electric wire that meets the following specifications.
Wire specification: Shielding wire CVVS or CPEVS 1.25-2.00 mm² or equivalent.

* Specifications subject to change without notice.

SPECIFICATIONS	DATE	TYPE MODEL	LOSSNAY REMOTE CONTROLLER PZ-52SF		
	15-Mar.-01		NUMBER	No. CE018A	1/2
MITSUBISHI ELECTRIC CORPORATION					

■ Names and Functions of various parts



User operation function	ON/OFF operation	
	Fan speed selecting High/Low	
	Ventilation mode selecting	Heat exchange operation By-pass operation Automatic (heat ex./by-pass) operation
	Reset the filter sign display	
Monitor function	Power indication	Goes on when the remote controller is supplied appropriate power.
	ON/OFF lamp (LED display)	Goes on during ON operation (Yellow). Flashes during malfunction occurred.
	Fan speed display	Selecting fan speed is displayed.
	Ventilation mode status display	Selecting ventilation mode status is displayed. (HEAT EX./BY-PASS/AUTO)
	[INTERLOCKED] display	When the Lossnay starts off by interlocked indoor unit or external signal.
	[CENTRAL] display	Goes on during remote operation prohibited.
	[FILTER] display	When the operation time reaches at the filter-cleaning time.
	[Check] display	Check code and unit address which occur malfunction are displayed.
[NOT AVAILABLE] display	When a button is pressed for a function which the Lossnay unit cannot perform.	

* Specifications subject to change without notice.

FUNCTIONS	DATE	TYPE MODEL	LOSSNAY REMOTE CONTROLLER PZ-52SF	
	15-Mar.-01			
MITSUBISHI ELECTRIC CORPORATION	NUMBER	No. CE018A	2/2	