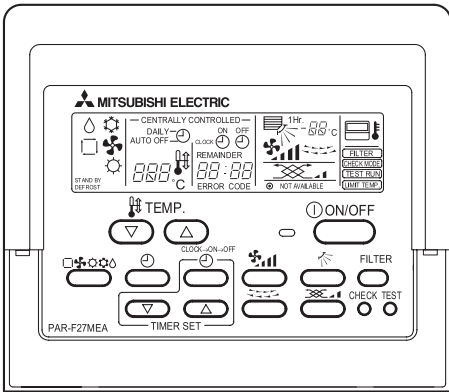
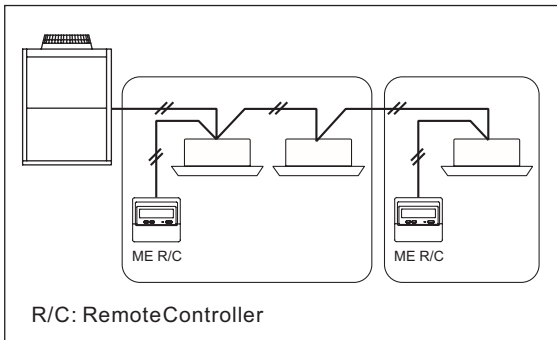


2-2. ME remote controller [PAR-F27MEA]

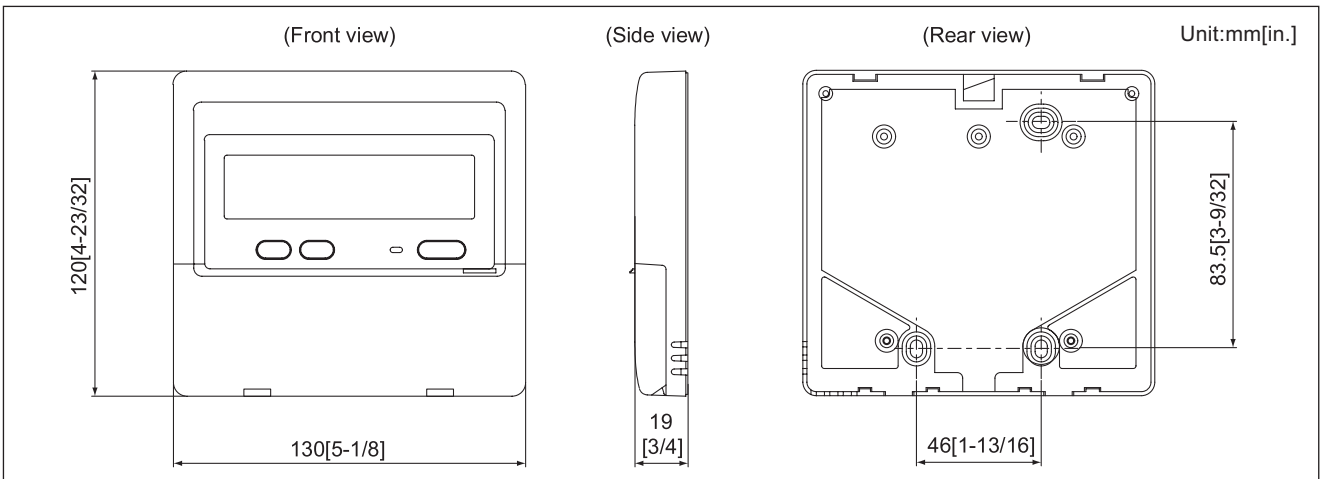


- This remote control requires non-polar wiring to only one indoor unit.
- Group operation over multiple outdoor units is possible. Grouping can be changed without re-wiring, which makes dividing rooms for tenant easier
- Timer operation
  - \*: Daily timer operation of one ON/OFF setting everyday
  - \*: Auto-off timer : 0:30, 1:00, 1:30, 2:00...4:00
  - \*: The setting is kept in nonvolatile memory.
- Function lock  
All functions or all functions except ON/ OFF can be selected.
- Ability to limit the set temperature by oneself or system controller (upper and lower temperature can be set)
- Interlock setting and operation of LOSSNAY

■ System example



■ External dimension



■ Functions

□:Each unit ○:Each group ●:Each block  
△:Each floor ◎:Collective ×:Not available

Item	Description	Operations	Display
ON/OFF	ON and OFF operation for a single group	○	○
Operation mode switching	Switches between Cool / Dry / Auto / Fan / Heat. Operation modes vary depending on the air conditioner unit. Auto mode is the City Multi R2 and WR2 series only.	○	○
Temperature setting	Sets the temperature for a single group Range of temperature setting Cool/Dry : 19°C - 30°C (14°C - 30°C) Heat : 17°C - 28°C (17°C - 28°C) Auto : 19°C - 28°C (17°C - 28°C)	○	○
Fan speed setting	Models with 4 air flow speed settings: Hi/Mid-2/Mid-1/Low Models with 3 air flow speed settings: Hi/Mid/Low Models with 2 air flow speed settings: Hi/Low Fan speed setting varies depending on the model.	○	○
Air flow direction setting	Air flow direction angles (4-angle, Swing) Louver ON/OFF Air flow direction settings vary depending on the model.	○	○
Permit / Prohibit local operation	Individually prohibit operation of each local remote control function (ON/OFF, Change operation mode, Set temperature, Reset filter). *1: When the local remote controller inactivation command is received from the master system controller, "- CENTRALLY CONTROLLED -" is displayed.	×	*1 ○
Prohibition/permission of specified mode (Cooling prohibited /heating prohibited /cooling-heating prohibited)	By the setting from System Controller, the operation for the following modes is prohibited. At cooling prohibited : Cool, Dry, Auto, At heating prohibited : Heat, Auto, At cooling-heating prohibited : Cool, Heat, Dry, Auto	×	○
Indoor unit intake temperature	Measures the intake temperature of the indoor unit when the indoor unit is operating.	×	○
Error	When an error is currently occurring on an air conditioner unit, the afflicted unit and the error code are displayed.	×	□
Timer operation	Thanks to the three timer modes equipped, a proper mode can be selected to meet the usage. One day timer : ON/OFF setting of one time on one day can be applied. Daily timer : ON/OFF setting by the One day timer can be repeated for everyday. Auto OFF timer : OFF timer can be set in a range from 30 minutes to 4 hours. *Setting of Auto OFF timer automatically activates OFF timer at the next operation. This function can be utilized to prevent the negligence of OFF setting.	○	○
Test run	This operates air conditioner units in test run mode.	○	○
Ventilation equipment	Up to 16 indoor units can be connected to an interlocked system that has one LOSSNAY. LOSSNAY items that can be set are "Hi" "Low" "Stop". Ventilation mode switching is not available.	○	○
Function to limit the setting range of room temperature (Set temperature range limit)	Set temperature range limit to cooling, heating, or auto mode.	○	○
Easy-to-operate simplified locking function (Auto lock function)	Setting/releasing of simplified locking for remote control switch can be performed. · Locking of all switches · Locking of all switches except ON/OFF switch	○	○