



The PAR-31MAA standard remote controller provides control over Mr Slim and City Multi indoor units.

It is also compatible with M Series indoor units via MAC-397IF and is our most popular controller due to its user friendly backlit screen.

Key Features

- 0.5°C Set Point adjustment units
- Dual Set Point
- Night Set Back, Scheduling, Set Point Limitation
- Run/Standby for Mr Slim
- Contact Number under fault condition
- Backlight



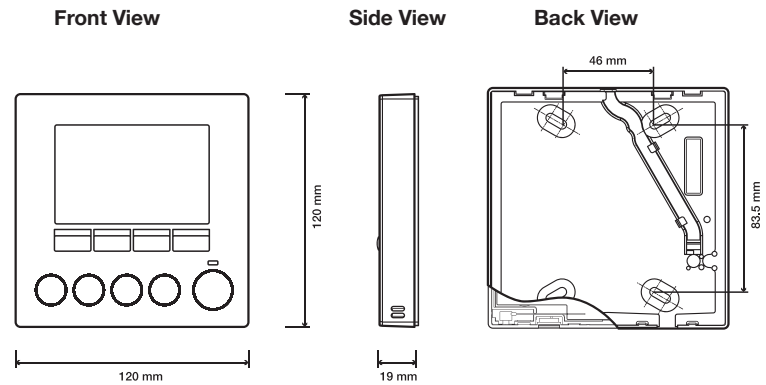
Air Conditioning | Heating
Ventilation | Controls



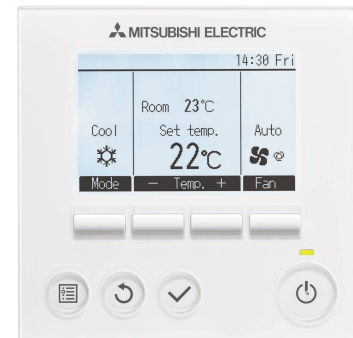
REMOTE CONTROLLER	PAR-31MAA
Description	Standard Remote Controller
Connect to	Indoor
Max Number of Units	16
Compatibility	Mr Slim, City Multi and M Series via MAC-397IF
Power Supply	120 x 19 x 120
Dimensions (mm) (WxDxH)	✓
Control	✓
On/Off	✓
Mode	✓
Setpoint	✓ (0.5°C)
Fan Speed	✓
Air Direction	✓
Permit/Prohibit	✓
Filter Sign	✓
Monitor	✓
On/Off	✓
Mode	✓
Setpoint	✓ (0.5°C)
Fan Speed	✓
Air Direction	✓
Permit/Prohibit	✓
Filter Sign	✓
Fault Codes	✓
Room Temperature	✓ (0.5°C)
Weekly Schedule	✓
Annual Schedule	✓
Night Set Back	✓
Web Pages	Weekly
Optimised Start	✓
Automatic Setpoint Adjustment	✓
Load Shedding	✓
Occupied / Unoccupied Settings Reset	✓
Remote Monitoring with M2M	✓
Simple Energy Monitoring	✓
Advanced Energy Monitoring	x

Notes: Permit/Prohibit is via Centralised Controllers. ✓ = Yes, x = No, - = Not applicable.

DIMENSIONS



SYSTEM DIAGRAM



Telephone: 01707 282880

email: air.conditioning@meuk.mee.com web: www.airconditioning.mitsubishielectric.co.uk

UNITED KINGDOM Mitsubishi Electric Europe Living Environmental Systems Division
Travellers Lane, Hatfield, Hertfordshire, AL10 8XB, England General Enquiries Telephone: 01707 282880 Fax: 01707 278881

IRELAND Mitsubishi Electric Europe Westgate Business Park, Ballymount, Dublin 24, Ireland
Telephone: Dublin (01) 419 8800 Fax: Dublin (01) 419 8890 International code: (003531)

Country of origin: United Kingdom – Japan – Thailand – Malaysia. ©Mitsubishi Electric Europe 2015. Mitsubishi and Mitsubishi Electric are trademarks of Mitsubishi Electric Europe B.V. The company reserves the right to make any variation in technical specification to the equipment described, or to withdraw or replace products without prior notification or public announcement. Mitsubishi Electric is constantly developing and improving its products. All descriptions, illustrations, drawings and specifications in this publication present only general particulars and shall not form part of any contract. All goods are supplied subject to the Company's General Conditions of Sale, a copy of which is available on request. Third-party product and brand names may be trademarks or registered trademarks of their respective owners.



Effective as of April 2015



www.greengateway.mitsubishielectric.co.uk

Mitsubishi Electric UK's commitment to the environment

Follow us @meuk_Jes
Follow us @green_gateway

Mitsubishi Electric
Living Environmental Systems UK

YouTube [mitsubishielectric2](https://www.youtube.com/mitsubishielectric2)