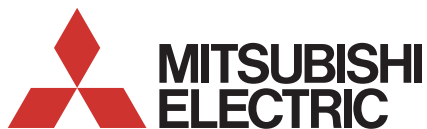




Lossnay Mechanical Ventilation Heat Recovery (MVHR) systems, are designed to supply fresh air into any commercial building whilst simultaneously extracting stale air and, most importantly, recovering valuable heat energy for maximum efficiency

Key Features

- Clean fresh air
- Improved air quality and comfort
- Increased climate control
- Reduced energy bills
- Energy efficient heat recovery
- Low power consumption and SFP's
- Free cooling function
- Total heat exchange (sensible and latent)
- Significantly reduced height

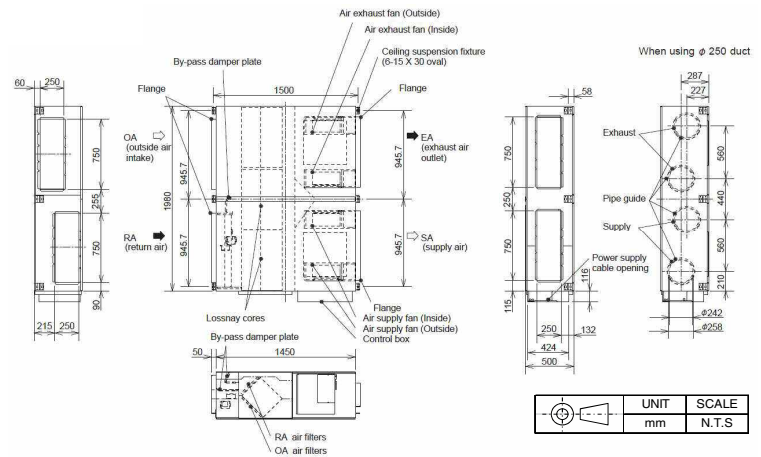


Air Conditioning | Heating
Ventilation | Controls



COMMERCIAL MODELS		LGH-150RVXT-E
ELECTRICAL POWER SUPPLY		220-240V, 50Hz
RUNNING CURRENT (A)		
	SP1	0.36
	SP2	1.10
	SP3	2.40
	SP4	4.30
INPUT POWER (W)		
	SP1	48
	SP2	176
	SP3	421
	SP4	792
AIRFLOW (m ³ /h) ²		
	SP1	375
	SP2	750
	SP3	1125
	SP4	1500
AIRFLOW (l/s) ²		
	SP1	104
	SP2	208
	SP3	313
	SP4	417
SPECIFIC FAN POWER (W/(l/s))		
	SP1	0.46
	SP2	0.85
	SP3	1.35
	SP4	1.90
EXTERNAL STATIC PRESSURE (Pa)		
	SP1	11
	SP2	44
	SP3	98
	SP4	175
SOUND PRESSURE LEVEL (dBA)		
	SP1	22
	SP2	29.5
	SP3	35.5
	SP4	39.5
TEMPERATURE EXCHANGE EFFICIENCY (%)		
	SP1	81.5
	SP2	81
	SP3	80.5
	SP4	80
ENTHALPY EXCHANGE EFFICIENCY (%)		
	Heating	
	SP1	75
	SP2	73
	SP3	71
	SP4	70
	Cooling	
	SP1	74
	SP2	72
	SP3	70
	SP4	69
WEIGHT (kg)		156
DIMENSIONS (mm) Width x Depth x Height		1980 x 1500 x 500
DUCT SIZE (mm)		250 x 750
STANDARD FILTER ¹		EU-G3
FUSE RATING (BS88) – HRC (A)		10

DIMENSIONS



REMOTE CONTROLLER

PZ-61DR-E



- Control up to 15 Lossnay units
- Full-dot backlit LCD screen
- Weekly timer (ability to pre-set air volume requirements at different intervals)
- Night purge function



Notes: Running Current, Input Power and Recovery Efficiency are based on the above airflow rate, power supply 240v, 50Hz. Sound Pressure Level measured at 1.5m under the centre of panel. *1: EU-F7 filter available as optional parts. *2: Airflow tested to Japan industrial standard JIS B 8628. SP1, SP2, SP3 & SP4 relate to the fan speeds of the Lossnay RVXT units i.e. fanspeed 1, 2, 3 & 4.

Lossnay Housings will be available, please contact Mitsubishi Electric for further information.



Telephone: 01707 282880

email: ventilation@meuk.mee.com web: www.airconditioning.mitsubishielectric.co.uk

UNITED KINGDOM Mitsubishi Electric Europe Living Environmental Systems Division
Travellers Lane, Hatfield, Hertfordshire, AL10 8XB, England General Enquiries Telephone: 01707 282880 Fax: 01707 278881

IRELAND Mitsubishi Electric Europe Westgate Business Park, Ballymount, Dublin 24, Ireland
Telephone: Dublin (01) 419 8800 Fax: Dublin (01) 419 8890 International code: (003531)

Country of origin: United Kingdom – Japan – Thailand – Malaysia. ©Mitsubishi Electric Europe 2015. Mitsubishi and Mitsubishi Electric are trademarks of Mitsubishi Electric Europe B.V. The company reserves the right to make any variation in technical specification to the equipment described, or to withdraw or replace products without prior notification or public announcement. Mitsubishi Electric is constantly developing and improving its products. All descriptions, illustrations, drawings and specifications in this publication present only general particulars and shall not form part of any contract. All goods are supplied subject to the Company's General Conditions of Sale, a copy of which is available on request. Third-party product and brand names may be trademarks or registered trademarks of their respective owners.



Effective as of November 2015



www.greengateway.mitsubishielectric.co.uk

Mitsubishi Electric UK's commitment to the environment

Follow us @meuk_Jes
Follow us @green_gateway

Mitsubishi Electric
Living Environmental Systems UK

YouTube
mitsubishielectric2