

Revision B:

• MFZ-KJ25VE-**E2**,-**ER2**, MFZ-KJ35VE-**E2**,-**ER2**
and MFZ-KJ50VE-**ER1** have been added.

Please void OBB666 REVISED EDITION-A.

INDOOR UNIT PARTS CATALOG

**No. OBB666
REVISED EDITION-B**

Models

MFZ-KJ25VE - **E1**

MFZ-KJ25VE - **E2** , **ER2**

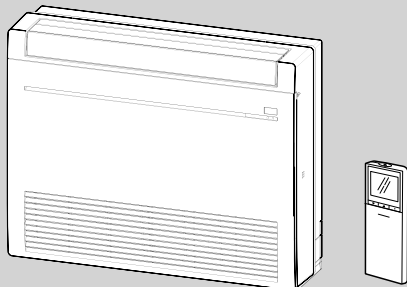
MFZ-KJ35VE - **E1**

MFZ-KJ35VE - **E2** , **ER2**

MFZ-KJ50VE - **E1** , **ER1**

CONTENTS

1. RoHS PARTS LIST.....	2
2. OPTIONAL PARTS.....	6



NOTE:
RoHS compliant products have <G> mark on the spec name plate.



Revision A:

• MFZ-KJ50VE- [E1] has been added.

Revision B:

• MFZ-KJ25VE-[E2],-[ER2], MFZ-KJ35VE-[E2],-[ER2] and MFZ-KJ50VE-[ER1] have been added.

1

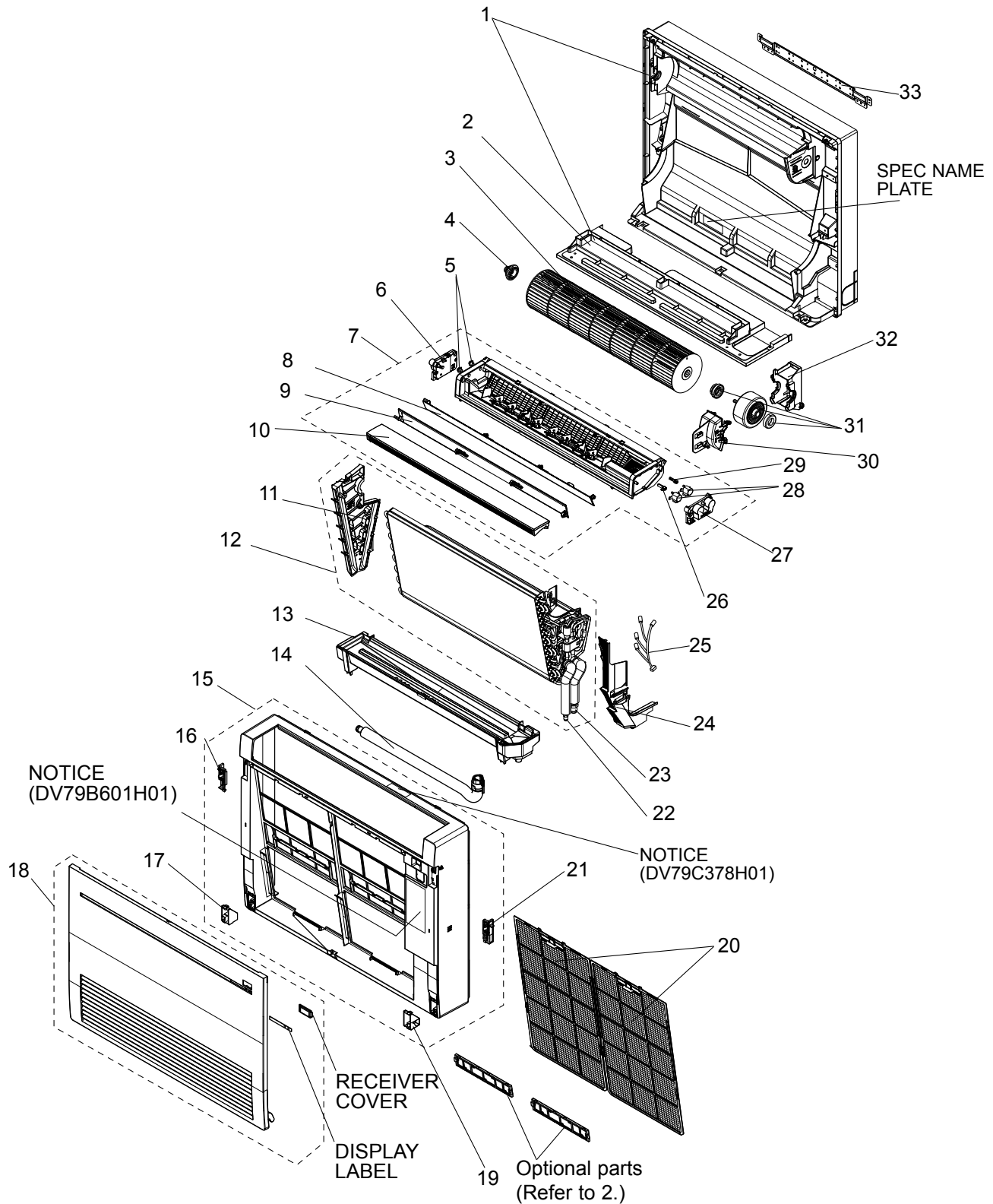
RoHS PARTS LIST

MFZ-KJ25VE

MFZ-KJ35VE

MFZ-KJ50VE

1-1. INDOOR UNIT STRUCTURAL PARTS, HEAT EXCHANGER AND FUNCTIONAL PARTS



RoHS PARTS LIST

1-1. INDOOR UNIT STRUCTURAL PARTS, HEAT EXCHANGER AND FUNCTIONAL PARTS

No.	RoHS	Part No.	Part name	Symbol in Wiring Diagram	Q'ty/unit									Remarks
					MFZ-KJ									
					25VE-			35VE-			50VE-			
					E1	E2	ER2	E1	E2	ER2	E1	ER1		
1	G	M21 EAM 234	BOX ASSEMBLY		1	1	1	1	1	1	1	1	1	Including base Without spec name plate
2	G	—	BASE		1	1	1	1	1	1	1	1	1	SQ25A544G01
3	G	M21 EAA 302	LINE FLOW FAN ASSEMBLY		1	1	1	1	1	1	1	1	1	
4	G	M21 N8L 509	BEARING ASSEMBLY		1	1	1	1	1	1	1	1	1	
5	G	M21 EA5 071	VANE SLEEVE		2	2	2	2	2	2	2	2	2	
6	G	M21 EA4 306	MULTI-FLOW VANE MOTOR UNIT	MV3	1	1	1	1	1	1	1	1	1	
7	G	M21 EAC 235	NOZZLE ASSEMBLY		1	1	1	1	1	1	1	1	1	
8	G	M21 EAA 040	HORIZONTAL VANE (BACK)		1	1	1	1	1	1	1	1	1	
9	G	M21 EA9 040	HORIZONTAL VANE (FRONT)		1	1	1	1	1	1	1	1	1	
10	G	M21 EA8 040	MULTI-FLOW VANE		1	1	1	1	1	1	1	1	1	
11	G	—	HAIRPIN HOLDER ASSEMBLY		1	1	1	1	1	1	1	1	1	DQ00T279G02
12	G	M21 EE3 620	INDOOR HEAT EXCHANGER		1	1	1	1	1	1				
	G	M21 EE4 620	INDOOR HEAT EXCHANGER									1	1	
13	G	M21 EA3 700	DRAIN PAN ASSEMBLY		1	1	1	1	1	1	1	1	1	
14	G	M21 7K1 703	DRAIN HOSE ASSEMBLY		1	1	1	1	1	1	1	1	1	
15	G	M21 EAT 000	PANEL ASSEMBLY		1	1	1	1	1	1	1	1	1	Including notice
16	G	M21 EA0 099	HOOK (LEFT) ASSEMBLY		1	1	1	1	1	1	1	1	1	
17	G	M21 EA8 039	ARM HOLDER (LEFT)		1	1	1	1	1	1	1	1	1	
18	G	M21 EAU 010	FRONT PANEL		1	1	1	1	1	1	1	1	1	Including receiver cover and display label
19	G	M21 EA9 039	ARM HOLDER (RIGHT)		1	1	1	1	1	1	1	1	1	
20	G	M21 EAH 100	NANO PLATINUM FILTER		2	2	2	2	2	2	2	2	2	
21	G	M21 EA1 099	HOOK (RIGHT) ASSEMBLY		1	1	1	1	1	1	1	1	1	
22	G	M21 L3V 664	UNION (LIQ)		1	1	1	1	1	1	1	1	1	φ6.35
23	G	M21 L3V 663	UNION (GAS)		1	1	1	1	1	1				φ9.52
	G	M21 L5V 663	UNION (GAS)									1	1	φ12.7
24	G	—	WATER COVER		1	1	1	1	1	1	1	1	1	DQ00T288G02
25	G	M21 EA9 305	INDOOR COIL THERMISTOR	RT12,RT13, RT14,RT15	1	1	1	1	1	1	1	1	1	
26	G	M21 EA5 049	VANE MOTOR SHAFT (FRONT)		1	1	1	1	1	1	1	1	1	
27	G	M21 EA1 506	VANE MOTOR SUPPORT		1	1	1	1	1	1	1	1	1	
28	G	M21 EA5 306	VANE MOTOR	MV1, MV2	2	2	2	2	2	2	2	2	2	
29	G	M21 EA6 049	VANE MOTOR SHAFT (BACK)		1	1	1	1	1	1	1	1	1	
30	G	M21 EA3 023	MOTOR BAND		1	1	1	1	1	1	1	1	1	
31	G	M21 EAL 300	INDOOR FAN MOTOR ASSEMBLY	MF	1	1	1	1	1	1				RC0J30-□□
	G	M21 EAM 300	INDOOR FAN MOTOR ASSEMBLY	MF								1	1	RC0J40-□□
32	G	M21 EA3 791	MOTOR BED		1	1	1	1	1	1	1	1	1	
33	G	T2W L3V 233	BACK PLATE		1	1	1	1	1	1	1	1	1	

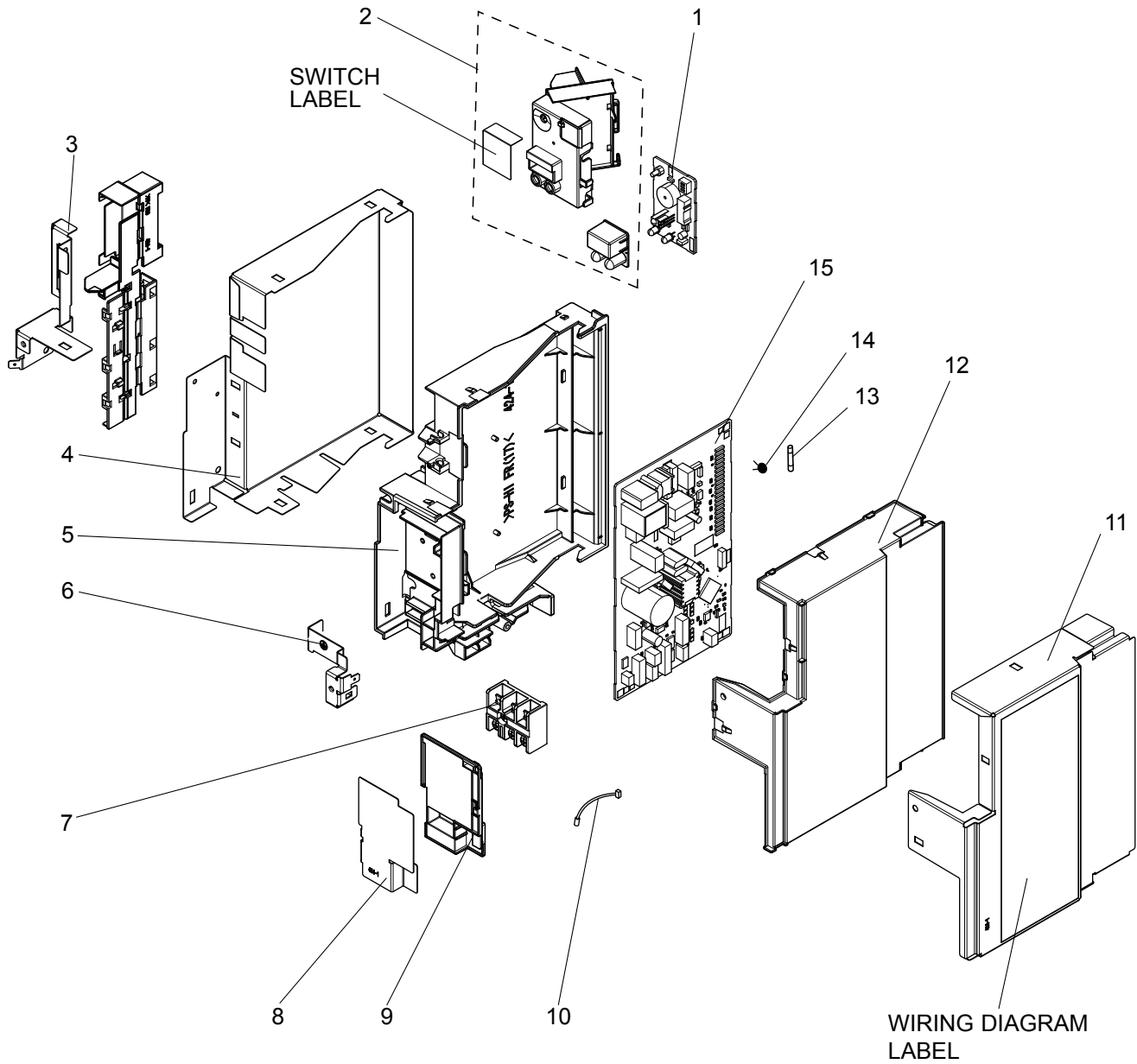
RoHS PARTS LIST

MFZ-KJ25VE

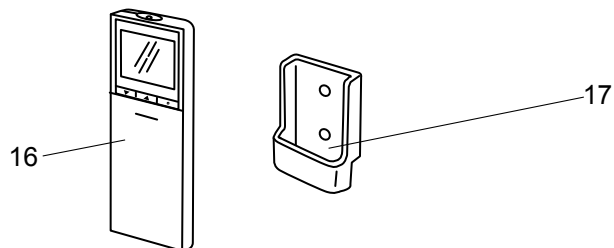
MFZ-KJ35VE

MFZ-KJ50VE

1-2. INDOOR UNIT ELECTRICAL PARTS



1-3. ACCESSORY AND REMOTE CONTROLLER



RoHS PARTS LIST

1-2. INDOOR UNIT ELECTRICAL PARTS

No.	RoHS	Part No.	Part name	Symbol in Wiring Diagram	Q'ty/unit									Remarks
					MFZ-KJ									
					25VE-			35VE-			50VE-			
					E1	E2	ER2	E1	E2	ER2	E1	ER1		
1	G	T2W EA7 328	DISPLAY RECEIVER P.C. BOARD		1	1	1	1	1	1	1	1	1	
2	G	M21 EA7 012	SWITCH HOLDER SET		1	1	1	1	1	1	1	1	1	Including switch label
3	G	—	TB COVER		1	1	1	1	1	1	1	1	1	DY02B654G01
4	G	—	PB COVER LEFT		1	1	1	1	1	1	1	1	1	DY02A632G01
5	G	—	PB BOX		1	1	1	1	1	1	1	1	1	DY25A631G05
6	G	—	EARTH PLATE		1	1	1	1	1	1	1	1	1	DY02B655G02
7	G	M21 EA3 376	TERMINAL BLOCK	TB	1	1	1	1	1	1	1	1	1	
8	G	—	VA CLAMP COVER		1	1	1	1	1	1	1	1	1	DK02B679G01
9	G	—	VA CLAMP		1	1	1	1	1	1	1	1	1	DK25B680G03
10	G	M21 EAA 305	ROOM TEMPERATURE THERMISTOR	RT11	1	1	1	1	1	1	1	1	1	
11	G	—	PB COVER RIGHT		1	1	1	1	1	1	1	1	1	DK02A696G01 Without wiring diagram label
12	G	—	PB COVER		1	1	1	1	1	1	1	1	1	DK25A695G01
13	G	T2W L3V 382	FUSE	F11	1	1	1	1	1	1	1	1	1	T3.15AL250V
14	G	M21 9K1 313	VARISTOR	NR11	1	1	1	1	1	1	1	1	1	
15	G	T2W EJG 450	ELECTRONIC CONTROL P.C. BOARD		1									
	G	T2W EK4 450	ELECTRONIC CONTROL P.C. BOARD			1	1							
	G	T2W EJH 450	ELECTRONIC CONTROL P.C. BOARD					1						
	G	T2W EK5 450	ELECTRONIC CONTROL P.C. BOARD						1	1				
	G	T2W EJJ 450	ELECTRONIC CONTROL P.C. BOARD									1	1	

1-3. ACCESSORY AND REMOTE CONTROLLER

16	G	T2W ECD 426	REMOTE CONTROLLER		1	1	1	1	1	1	1	1	1	1	SG132
17	G	T2W 9K1 083	REMOTE CONTROLLER HOLDER		1	1	1	1	1	1	1	1	1		

AIR CLEANING FILTER (ANTI-ALLERGY ENZYME FILTER)

Every 3 months:

- Remove dirt by a vacuum cleaner.

When dirt cannot be removed by vacuum cleaning:

- Soak the filter and its frame in lukewarm water before rinsing it.
(Diluted mild detergents can be used when dirt cannot be removed.)
- After washing, dry it well in shade.

Every year:

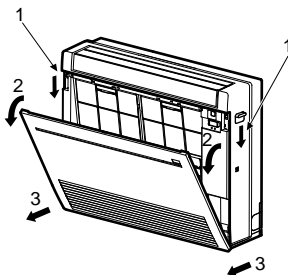
- Replace it with a new air cleaning filter for best performance.

Model	Part No.
MFZ-KJ25VE- E1	MAC-408FT-E
MFZ-KJ25VE- E2, ER2	
MFZ-KJ35VE- E1	
MFZ-KJ35VE- E2, ER2	
MFZ-KJ50VE- E1, ER1	

Replacement of the air cleaning filter

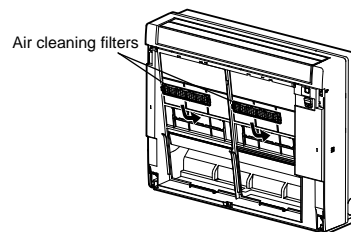
(1) Remove the front panel.

1. Push down the tab on the both sides of the unit to open the front panel.
2. Pull the front panel toward you to remove it.
3. Open the front panel completely and remove it.

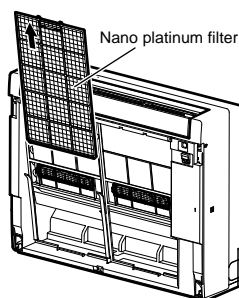


(3) Replace the air cleaning filter.

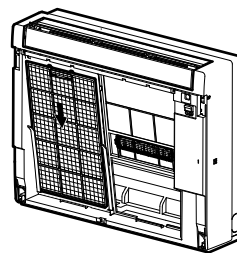
Fix the filter with the tabs securely.



(2) Remove the nano platinum filter.



(4) Install the nano platinum filter.



(5) Securely close the front panel.

Install the front panel by the removal procedure in reverse. Refer to (1) 1-3.

MITSUBISHI ELECTRIC CORPORATION

HEAD OFFICE: TOKYO BLDG., 2-7-3, MARUNOUCHI, CHIYODA-KU, TOKYO 100-8310, JAPAN