



MSZ-EF50VEW

Inverter Heat Pump

R410A Wall Mounted System

The new Zen MSZ-EF series is a stylish, white wall mounted system. Featuring the new Nano-Platinum filter system, these models also offer industry leading noise levels and have a distinctively styled front panel that not only looks appealing but also helps to make cleaning of the unit easier.

- **Anti-Allergy Enzyme filter is optional**



Pictures not to scale

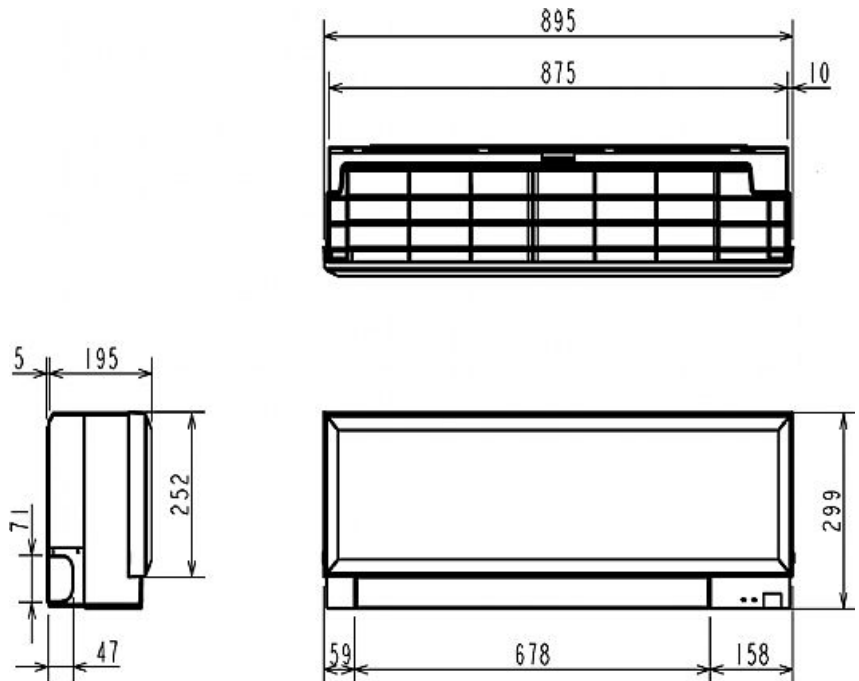
Product Details

MSZ-EF50VEW Indoor Unit	
Capacity (kW):	
Heating (Nominal) (Low - High)	5.80 (1.60 - 7.50)
Cooling (Nominal) (Low - High)	5.00 (1.40 - 5.40)
Heating (UK) (Low - High)	4.80 (1.35 - 6.25)
Cooling (UK) (Low - High)	4.95 (1.40 - 5.35)
SHF R410A (Nominal)	0.71
COP / EER (Nominal)	3.71 / 3.21
Energy Label Heating / Cooling	A / A
Width - mm	895
Depth - mm	195
Height - mm	299
Weight - kg	11.5
Airflow (m3/min) (Heating /Cooling) - Lo-Mi1-Mi2-Hi-SupHi	6.4-7.3-9-11.1-13.2 / 5.8-6.8-7.9-9.3-11
Noise (dBA) (Heating /Cooling) - Lo-Mi1-Mi2-Hi-SupHi	30-33-37-43-49 / 30-33-36-40-43
Pipe Size Gas mm (in)	12.7 (1/2)
Pipe Size Liquid mm (in)	6.35 (1/4)
Electrical Supply	Fed by Outdoor Unit
Phase	Single
Fuse Rating (BS88) - HRC (A)	6
Interconnecting Cable No. Cores	4

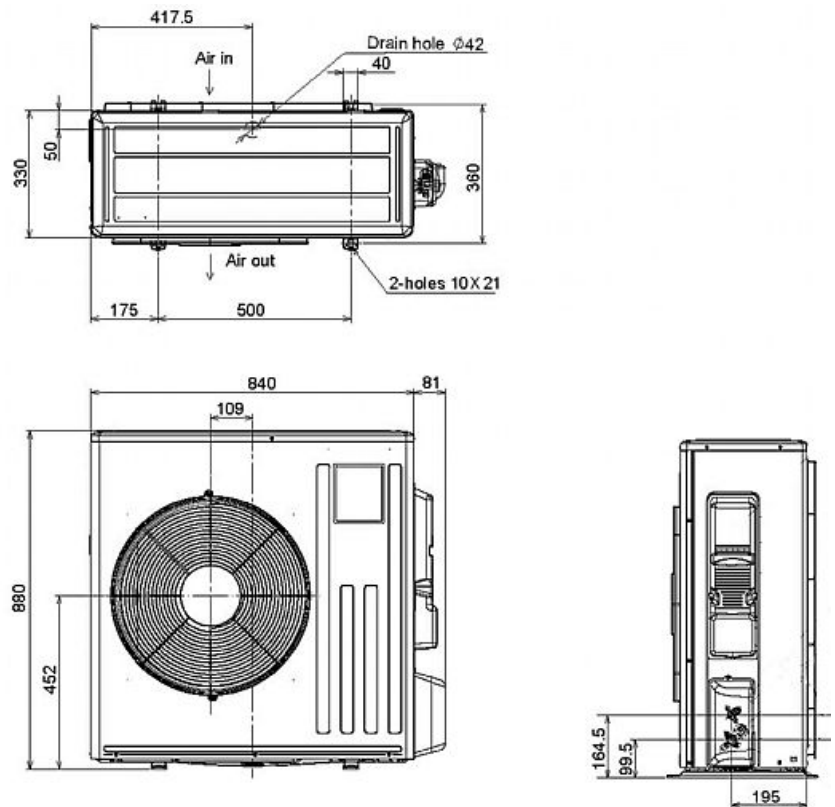
MUZ-EF50VE Outdoor Unit	
Width - mm	840
Depth - mm	330
Height - mm	880
Weight - kg	54
Noise (dBA) (Heating /Cooling)	52 / 52
Electrical Supply	220-240v, 50Hz
Phase	Single
Fuse Rating (BS88) - HRC (A)	16
SystemPower Input (kW) - Heating (Nominal)	1.565
SystemPower Input (kW) - Cooling (Nominal)	1.56
SystemPower Input (kW) - Heating (UK)	1.424
SystemPower Input (kW) - Cooling (UK)	1.248
Starting Current (A)	7
SystemRunning Current (A) - Heating / Cooling	7 / 6.9
Mains Cable No. Cores	3
Max Pipe Length (m)	30
Max Height Difference (m)	15
Charge (kg) - 7m	1.45

Dimensions

MSZ-EF50VEW



MUZ-EF50VE



Telephone: 01707 282880

Email: air.conditioning@meuk.mee.com Website: <http://www.mitsubishielectric.co.uk/aircon>

Mitsubishi Electric reserves the right to make any variation in technical specification to the equipment described, or to withdraw or replace products without prior notification or public announcement.

Tel:
Fax:

