

Air Conditioning

Product Information

MSZ-EF25VES : Inverter Heat Pump

R410A Wall Mounted System



The Zen Series is a wall mounted system that blends energy efficiency with a sophisticated, streamlined design. Combining an impressively low power consumption with a quiet, yet powerful performance, units have a distinctively styled front panel that not only looks appealing, but also helps to make cleaning of the unit easier.

Designed to complement modern interior décor and suitable for a wide range of applications, Zen units blend in naturally wherever they are installed and are available in three striking colours; black, silver and white.

FEATURES



INDOOR

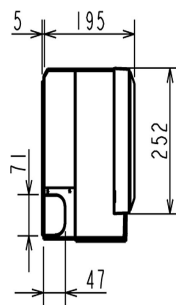
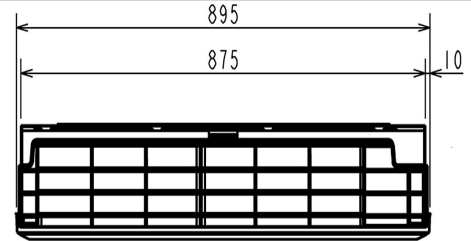
Heating Capacity (kW) (nominal)	3.2 (1.1 - 4.2)
Cooling Capacity (kW) (nominal)	2.5 (1.2 - 3.4)
Heating Capacity (kW) (UK)	2.65 (0.91 - 3.49)
Cooling Capacity (kW) (UK)	2.48 (1.19 - 3.37)
SHF (nominal and UK)	0.92
COP / EER (nominal)	4.57 / 4.59
SCOP / SEER	4.7 / 8.5
Energy Efficiency Class - Heating / Cooling	A++ / A+++
Airflow (m³/min) (Heating) - Si-Lo-Mi-Hi-SupHi	4 - 4.6 - 6.2 - 8.9 - 11.9
Airflow (m³/min) (Cooling) - Si-Lo-Mi-Hi-SupHi	4 - 4.6 - 6.3 - 8.3 - 10.5
Pipe Size Gas (mm [in])	9.52 (3/8)
Pipe Size Liquid (mm [in])	6.35 (1/4)
Sound Pressure Level (dBA) Heating - Si-Lo-Mi-Hi-SupHi	21 - 24 - 29 - 37 - 45
Sound Pressure Level (dBA) Cooling - Si-Lo-Mi-Hi-SupHi	21 - 23 - 29 - 36 - 42
Sound Power Level (dBA) Cooling	60
Dimensions (mm) Width x Depth x Height	895 x 195 x 299
Weight (kg)	11.5
Electrical Supply	FED BY OUTDOOR UNIT
Phase	SINGLE
Fuse Rating (BS88) - HRC (A)	6
Interconnecting Cable No. Cores	4

OUTDOOR

Sound Pressure Level (dBA) Heating / Cooling	48 / 47
Sound Power Level (dBA) Cooling	58
Weight (kg)	30
Dimensions (mm) Width x Depth x Height	800 x 285 x 550
Electrical Supply	220-240V, 50HZ
Phase	SINGLE
System Power Input (kW) - Heating / Cooling (nominal)	0.7 / 0.545
System Power Input (kW) - Heating / Cooling (UK)	0.64 / 0.44
Starting Current (A)	3.5
System Running Current (A) [MAX] - Heating / Cooling	3.5 / 2.9 [7.3]
Fuse Rating (BS88) - HRC (A)	10
Mains Cable No. Cores	3
Max Pipe Length (m)	20
Max Height Difference (m)	12
Charge R410A (kg) - (pre charged length)	0.8 (7)

DIMENSIONS

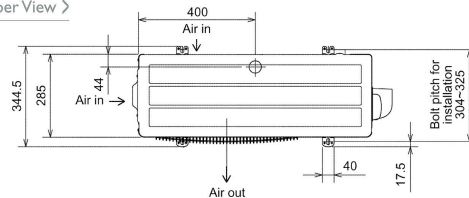
MSZ-EF25VES



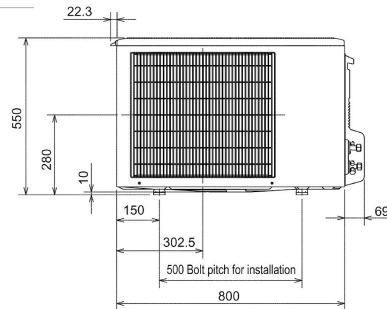
DIMENSIONS

MUZ-EF25VE

Upper View >



Front View >



Side View >

