

Air Conditioning

Product Information

MSZ-EF50VE2 B/S/W
Zen Inverter Heat Pump
Wall Mounted System

Making a
World of
Difference

M series



The Zen Series is a wall mounted system that blends energy efficiency with a sophisticated, streamlined design.

Key Features

- New stylish design
- Energy efficient operation
- Quiet operation - recognised by the Noise Abatement Society for industry leading low noise levels
- Weekly Timer
- Nano Platinum filter
- Replace Technology available
- Multi-Split compatibility
- Compatible with City Multi when used in conjunction with PAC-LV11M LEV kit



Air Conditioning | Heating
Ventilation | Controls



reddot award 2015
winner

Air Conditioning

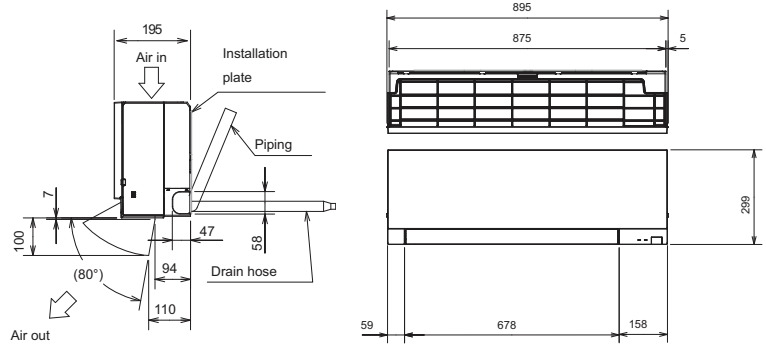
Product Information

MSZ-EF50VE2 B/S/W Zen Inverter Heat Pump Wall Mounted System

Making a
World of
Difference

| MSZ-EF B/S/W - INDOOR UNIT | | MSZ-EF50VE2 B/S/W |
|-------------------------------------------------------------|----------------------------------|------------------------------------------|
| CAPACITY (kW) | Heating (nominal) | 5.8 (1.6-7.5) |
| | Cooling (nominal) | 5.0 (1.4-5.4) |
| | Heating (UK) | 4.82 (1.33-6.23) |
| | Cooling (UK) | 4.96 (1.39-5.36) |
| SHF (nominal & UK) | | 0.71 |
| COP / EER (nominal) | | 3.71 / 3.21 |
| SCOP / SEER (BS EN14825) | | 4.5 / 7.2 |
| ErP ENERGY EFFICIENCY CLASS Heating/Cooling | | A+ / A++ |
| AIRFLOW (l/s) | Heating/Cooling - Lo-Mi-Hi-SupHi | 107-122-150-185-220 / 97-113-132-155-183 |
| PIPE SIZE mm (in) | Gas | 12.7 (1/2") |
| | Liquid | 6.35 (1/4") |
| SOUND PRESSURE LEVEL (dBA) Heating/Cooling - Lo-Mi-Hi-SupHi | | 30-33-37-43-49 / 30-33-36-40-43 |
| SOUND POWER LEVEL (dBA) | | 60 |
| DIMENSIONS (mm) Width x Depth x Height | | 885 x 195 x 299 |
| WEIGHT (kg) | | 11.5 |
| ELECTRICAL SUPPLY | | Fed by Outdoor Unit |
| FUSE RATING (BS88) - HRC (A) | | 6 |
| INTERCONNECTING CABLE No. CORES | | 4 |

DIMENSIONS



| MUZ-EF B/S/W - OUTDOOR UNIT | | MUZ-EF50VE |
|--------------------------------------------------|---------------------------|------------------|
| SOUND PRESSURE LEVEL (dBA) | Heating/Cooling | 52 / 52 |
| SOUND POWER LEVEL (dBA) | Cooling | 65 |
| WEIGHT (kg) | | 54 |
| DIMENSIONS (mm) Width x Depth x Height | | 840 x 330 x 880 |
| ELECTRICAL SUPPLY | | 220-240v, 50Hz |
| PHASE | | Single |
| SYSTEM POWER INPUT (kW) | Heating/Cooling (nominal) | 1.565 / 1.560 |
| | Heating/Cooling (UK) | 1.42 / 1.25 |
| STARTING CURRENT (A) | | 7 |
| SYSTEM RUNNING CURRENT (A) Heating/Cooling [MAX] | | 7.0 / 6.9 [12.4] |
| FUSE RATING (BS88) - HRC (A) | | 16 |
| MAINS CABLE No. CORES | | 3 |
| MAX PIPE LENGTH (m) | | 30 |
| MAX HEIGHT DIFFERENCE (m) | | 15 |
| CHARGE R410A (kg) - 7m | | 1.45 |



reddot award 2015
winner



Telephone: 01707 282880

email: air.conditioning@meuk.mee.com web: www.airconditioning.mitsubishielectric.co.uk

UNITED KINGDOM Mitsubishi Electric Europe Living Environmental Systems Division
Travellers Lane, Hatfield, Hertfordshire, AL10 8XB, England General Enquiries Telephone: 01707 282880 Fax: 01707 278881

IRELAND Mitsubishi Electric Europe Westgate Business Park, Ballymount, Dublin 24, Ireland
Telephone: Dublin (01) 419 8800 Fax: Dublin (01) 419 8890 International code: (003531)

Country of origin: United Kingdom - Japan - Thailand - Malaysia. ©Mitsubishi Electric Europe 2015. Mitsubishi and Mitsubishi Electric are trademarks of Mitsubishi Electric Europe B.V. The company reserves the right to make any variation in technical specification to the equipment described, or to withdraw or replace products without prior notification or public announcement. Mitsubishi Electric is constantly developing and improving its products. All descriptions, illustrations, drawings and specifications in this publication present only general particulars and shall not form part of any contract. All goods are supplied subject to the Company's General Conditions of Sale, a copy of which is available on request. Third-party product and brand names may be trademarks or registered trademarks of their respective owners.



Note: The fuse rating is for guidance only. Please refer to the relevant databook for detailed specification. It is the responsibility of a qualified electrician/electrical engineer to select the correct cable size and fuse rating based on current regulation and site specific conditions. Mitsubishi Electric's air conditioning and heat pump systems contain fluorinated greenhouse gases R410A, R407C and R134a.



www.greengateway.mitsubishielectric.co.uk

Mitsubishi Electric UK's commitment
to the environment



Follow us @meuk_Jes
Follow us @green_gateway



Mitsubishi Electric
Living Environmental Systems UK



[mitsubishielectric2](https://www.youtube.com/mitsubishielectric2)

Effective as of April 2015