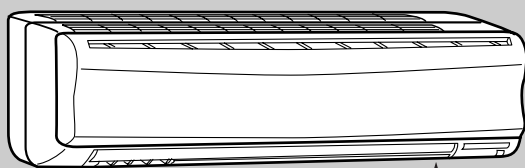


SERVICE MANUAL

Wireless type Models

- MSZ-A18YV** - [E1]
MSZ-A24YV - [E1]
MSZ-A26YV - [E1]



Indication of model name

- MSZ-A18YV** - [E1]
MSZ-A24YV - [E1]
MSZ-A26YV - [E1]



CONTENTS

1. PART NAMES AND FUNCTIONS.....	2
2. SPECIFICATION.....	4
3. NOISE CRITERIA CURVES.....	5
4. OUTLINES AND DIMENSIONS.....	6
5. WIRING DIAGRAM.....	7
6. REFRIGERANT SYSTEM DIAGRAM.....	8
7. SERVICE FUNCTIONS.....	9
8. TROUBLESHOOTING.....	11
9. DISASSEMBLY INSTRUCTIONS.....	19
10. PARTS LIST.....	21
11. OPTIONAL PARTS.....	23

NOTE:

This service manual describes technical data of the indoor unit.

- Refer to the service manual OB346 when MSZ-A18YV -[E1], MSZ-A24YV -[E1] or MSZ-A26YV -[E1] is connected with MUZ-A18YV -[E1], MUZ-A24YV -[E1] or MUZ-A26YV -[E1].
- Refer to the service manual OB319 when MSZ-A18YV -[E1], MSZ-A24YV -[E1] or MSZ-A26YV -[E1] is connected with MXZ-A26WV -[E1] or MXZ-A32WV -[E1] as multi system units.



1

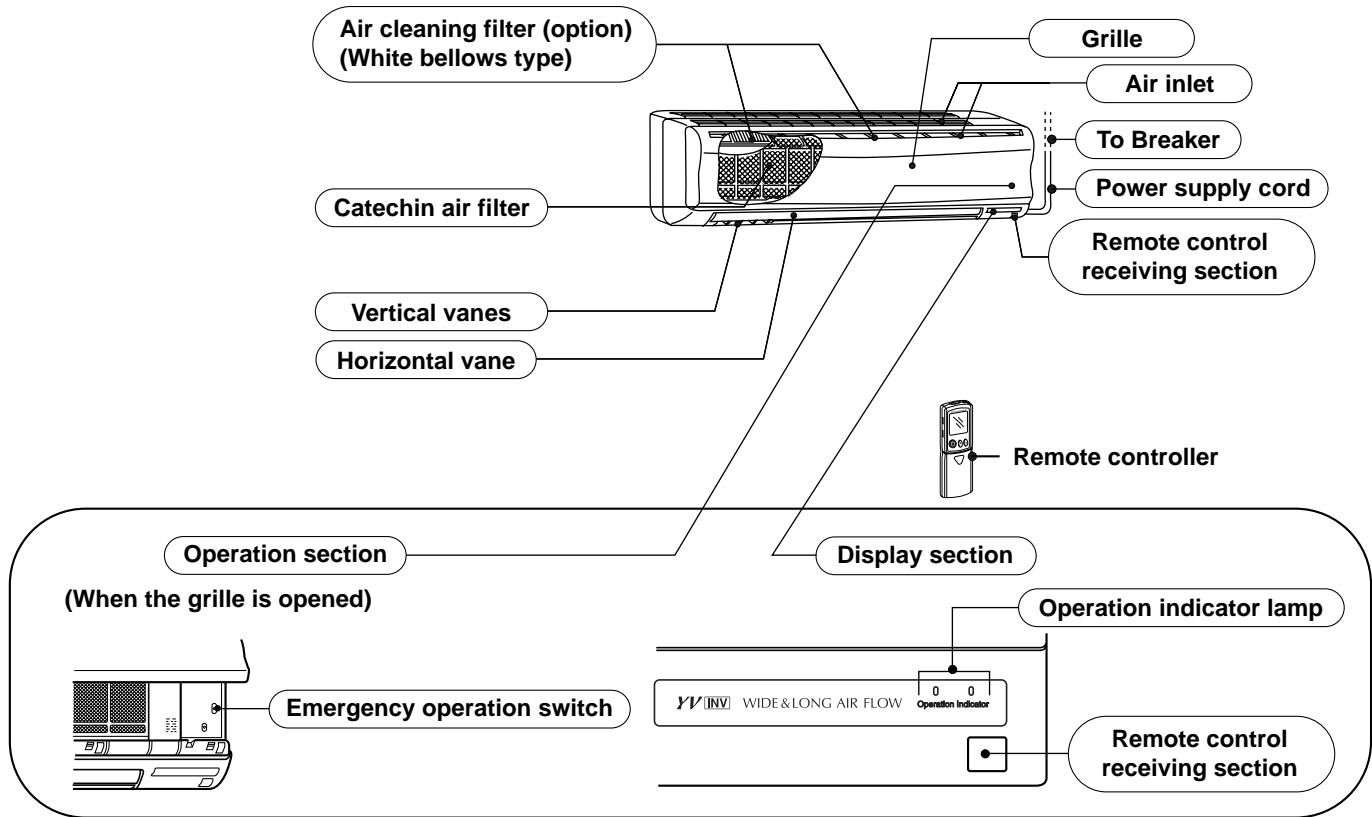
PART NAMES AND FUNCTIONS

INDOOR UNIT

MSZ-A18YV - [E1]

MSZ-A24YV - [E1]

MSZ-A26YV - [E1]



ACCESSORIES

Indoor unit

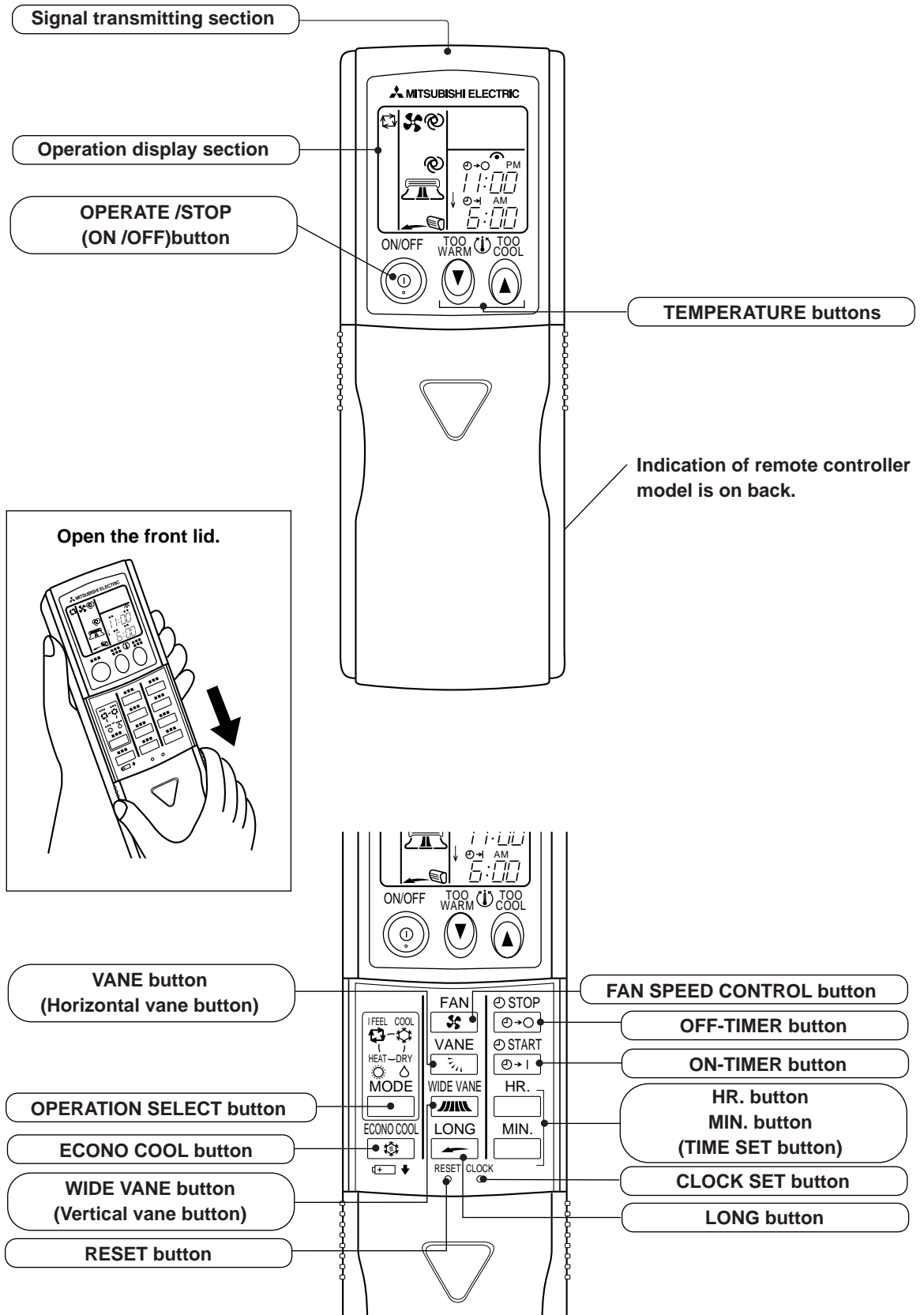
		MSZ-A18YV - [E1] MSZ-A24YV - [E1] MSZ-A26YV - [E1]
①	Installation plate	1
②	Installation plate fixing screw 4 × 25 mm	7
③	Remote controller holder	1
④	Fixing screw for ③ × 3.5 × 1.6 mm (Black)	2
⑤	Battery (AAA) for remote controller	2
⑥	Wireless remote controller	1
⑦	Felt tape (Used for left or left-rear piping)	1

REMOTE CONTROLLER

MSZ-A18YV -E1

MSZ-A24YV -E1

MSZ-A26YV -E1



2

SPECIFICATION

- Refer to the service manual OB346 when MSZ-A18YV -[E1], MSZ-A24YV -[E1] or MSZ-A26YV -[E1] is connected with MUZ-A18YV -[E1], MUZ-A24YV -[E1] or MUZ-A26YV -[E1].
- Refer to the service manual OB319 when MSZ-A18YV -[E1], MSZ-A24YV -[E1] or MSZ-A26YV -[E1] is connected with MXZ-A26WV -[E1] or MXZ-A32WV -[E1] as multi system units.

Indoor model			MSZ-A18YV - [E1]		MSZ-A24YV - [E1]	
Function			Cooling	Heating	Cooling	Heating
Power supply			Single phase 230V, 50Hz		Single phase 230V, 50Hz	
Capacity	Air flow(High/Med*/Low*)	m ³ /h	852/690*/498*		1,032/768*/522*	1,032/786*/522*
Electrical data	Power outlet	A	10		10	
	Running current *1	A	0.30		0.34	
	Power input *1	W	60		69	
	Auxiliary heater	A(kW)	—		—	
	Power factor *1	%	87		87	
	Fan motor current *1	A	0.30		0.34	
Fan motor	Model		RC4V32-AA		RC4V40-AA	
	Winding resistance(at 20°C)	Ω	WHT-BLK 293 BLK-RED 146		WHT-BLK 138.2 BLK-RED 159.0	
	Dimensions W×H×D	mm	1,100×325×258		1,100×325×258	
	Weight	kg	16		16	
Special remarks	Air direction		5		5	
	Sound level(High/Med*/Low*)	dB	43/38*/31*		48/40*/32*	
	Fan speed(High/Med*/Low*)	rpm	1,120/940*/720*		1,310/1030*/750*	1,310/1050*/750*
	Fan speed regulator		3		3	
	Thermistor RT11(at 25°C)	kΩ	10		10	
	Thermistor RT12(at 25°C)	kΩ	10		10	
	Thermistor RT13(at 25°C)	kΩ	10		10	
	Remote controller model		KP0A		KP0A	

Indoor model			MSZ-A26YV - [E1]			
Function			Cooling		Heating	
Power supply			Single phase 230V, 50Hz			
Capacity	Air flow(High/Med*/Low*)	m ³ /h	1,032/798*/564*		1,032/816*/564*	
Electrical data	Power outlet	A	10			
	Running current *1	A	0.34			
	Power input *1	W	69			
	Auxiliary heater	A(kW)	—			
	Power factor *1	%	88			
	Fan motor current *1	A	0.34			
Fan motor	Model		RC4V40-AA			
	Winding resistance(at 20°C)	Ω	WHT-BLK 138.2 BLK-RED 159.0			
	Dimensions W×H×D	mm	1,100×325×258			
	Weight	kg	16			
Special remarks	Air direction		5			
	Sound level(High/Med*/Low*)	dB	48/40*/33*			
	Fan speed(High/Med*/Low*)	rpm	1,310/1,060*/800*		1,310/1,080*/800*	
	Fan speed regulator		3			
	Thermistor RT11(at 25°C)	kΩ	10			
	Thermistor RT12(at 25°C)	kΩ	10			
	Thermistor RT13(at 25°C)	kΩ	10			
	Remote controller model		KP0A			

NOTE: Test conditions are based on ISO 5151.

Cooling : Indoor Dry-bulb temperature 27°C Wet-bulb temperature 19°C
 Outdoor Dry-bulb temperature 35°C Wet-bulb temperature(24°C)
 Heating : Indoor Dry-bulb temperature 20°C Wet-bulb temperature 15.5°C
 Outdoor Dry-bulb temperature 7°C Wet-bulb temperature 6°C
 Indoor-Outdoor piping length 5m

* Reference value

*1 Measured under rated operating frequency.

**Specifications and rating conditions of main electric parts
INDOOR UNIT**

Item	Model	MSZ-A18YV - [E1]	MSZ-A24YV - [E1]	MSZ-A26YV - [E1]
Indoor fan capacitor	(C11)	2.5 μ F 440V		
Fuse	(F11)	250V 3.15A		
Vane motor	(MV1/ MV2)	MP20/MP20		
Varistor	(NR11)	TNR10V511K410		
Solid state relay	(SR141)	S201DH1N		
Terminal block	(TB)	3P		
Indoor fan motor thermal fuse		145 $^{\circ}$ C	_____	

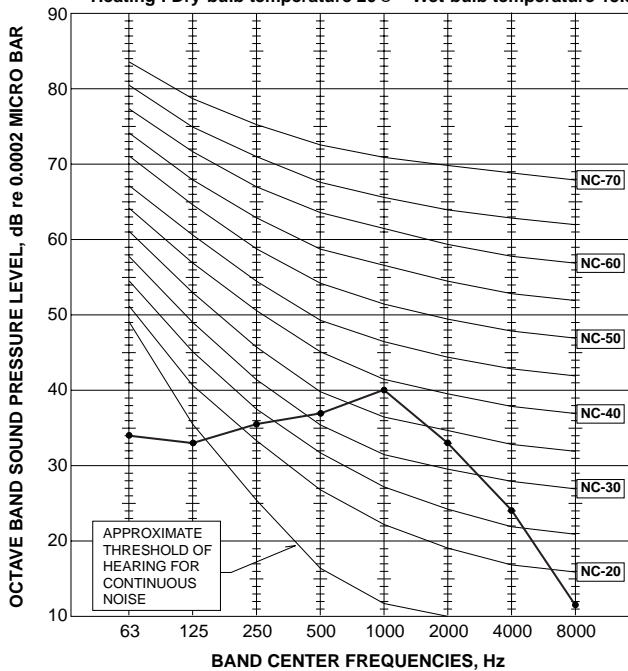
3 NOISE CRITERIA CURVES

MSZ-A18YV - [E1]

FAN SPEED	SPL(dB(A))	LINE
High	43	●—●

Test conditions,

Cooling : Dry-bulb temperature 27 $^{\circ}$ C Wet-bulb temperature 19 $^{\circ}$ C
Heating : Dry-bulb temperature 20 $^{\circ}$ C Wet-bulb temperature 15.5 $^{\circ}$ C

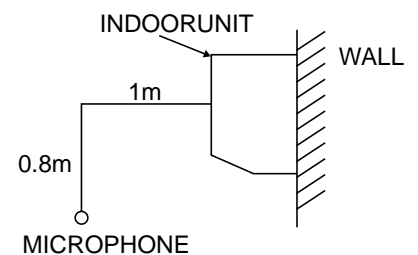
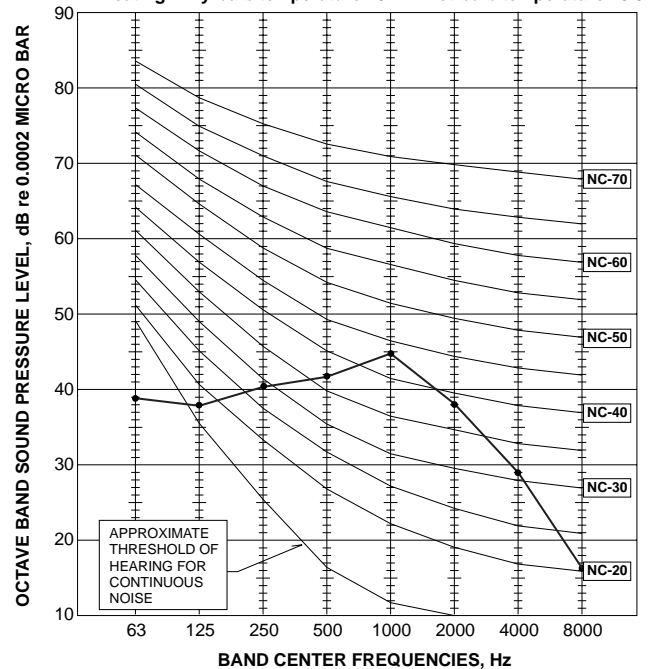


**MSZ-A24YV - [E1]
MSZ-A26YV - [E1]**

FAN SPEED	SPL(dB(A))	LINE
High	48	●—●

Test conditions,

Cooling : Dry-bulb temperature 27 $^{\circ}$ C Wet-bulb temperature 19 $^{\circ}$ C
Heating : Dry-bulb temperature 20 $^{\circ}$ C Wet-bulb temperature 15.5 $^{\circ}$ C



4

OUTLINES AND DIMENSIONS

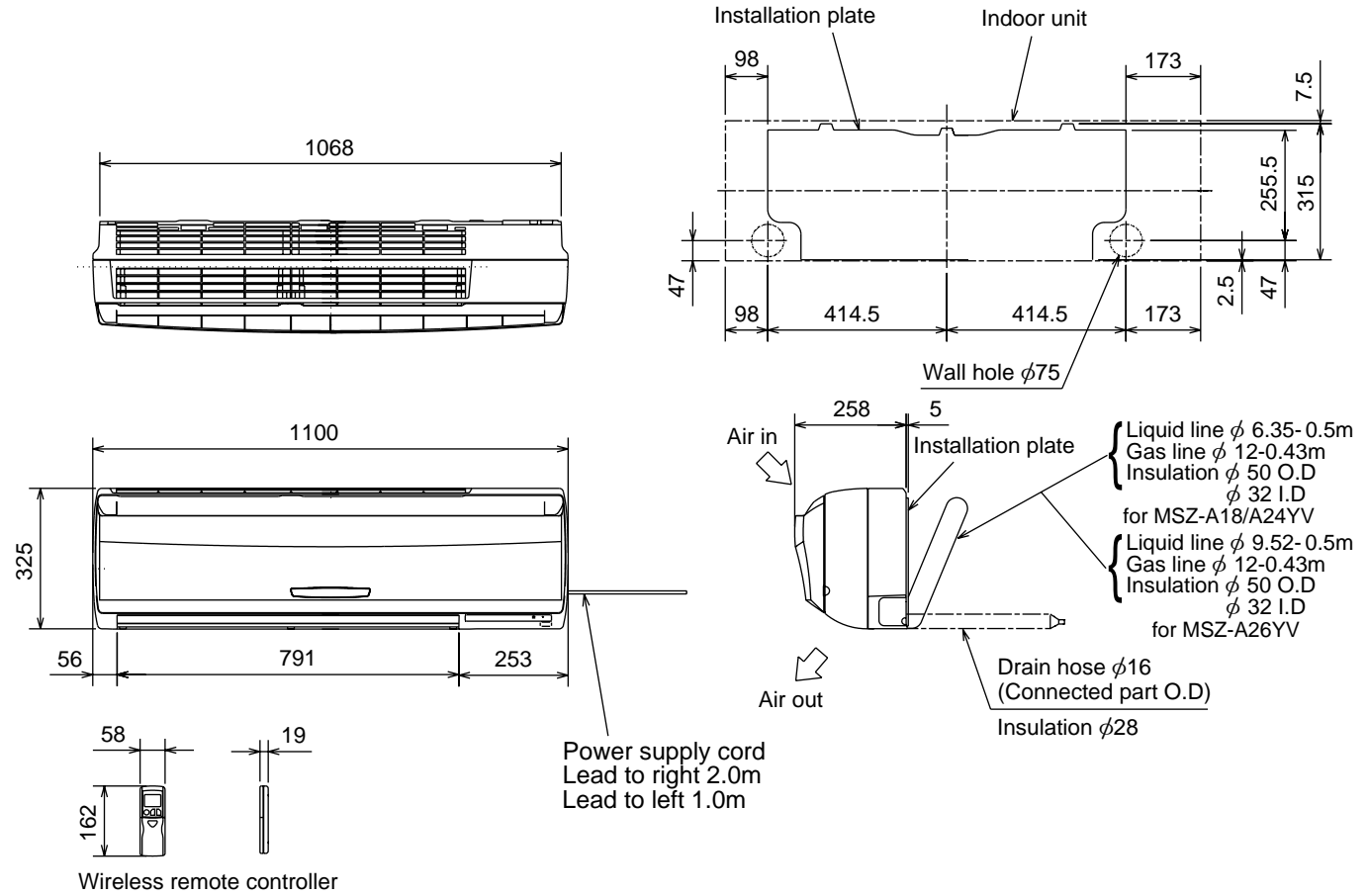
MSZ-A18YV -E1

MSZ-A24YV -E1

MSZ-A26YV -E1

Unit: mm

INDOOR UNIT



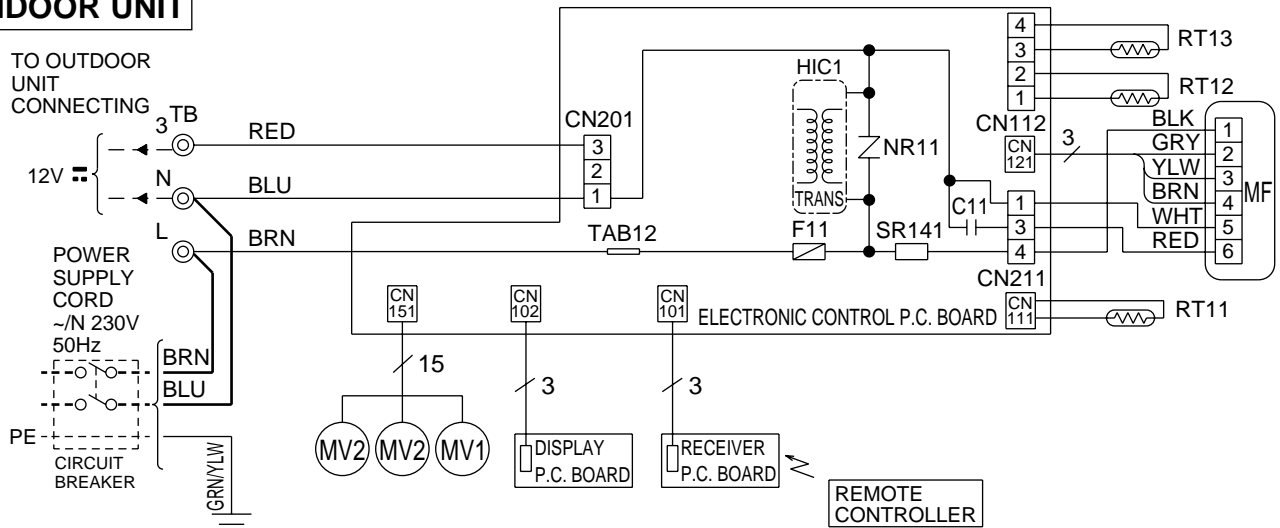
5

WIRING DIAGRAM

MSZ-A18YV -E1

MODEL WIRING DIAGRAM

INDOOR UNIT



SYMBOL	NAME	SYMBOL	NAME	SYMBOL	NAME
C11	INDOOR FAN CAPACITOR	MV1	VANE MOTOR (HORIZONTAL)	RT12	INDOOR COIL THERMISTOR (MAIN)
F11	FUSE (3.15A)	MV2	VANE MOTOR (VERTICAL)	RT13	INDOOR COIL THERMISTOR (SUB)
HIC1	DC/DC CONVERTER	NR11	VARISTOR	SR141	SOLID STATE RELAY
MF	INDOOR FAN MOTOR (INNER FUSE)	RT11	ROOM TEMPERATURE THERMISTOR	TB	TERMINAL BLOCK

NOTES: 1.About the outdoor side electric wiring refer to the outdoor unit electric wiring diagram for servicing.

2.Use copper conductors only. (For field wiring)

3.Symbols below indicate.

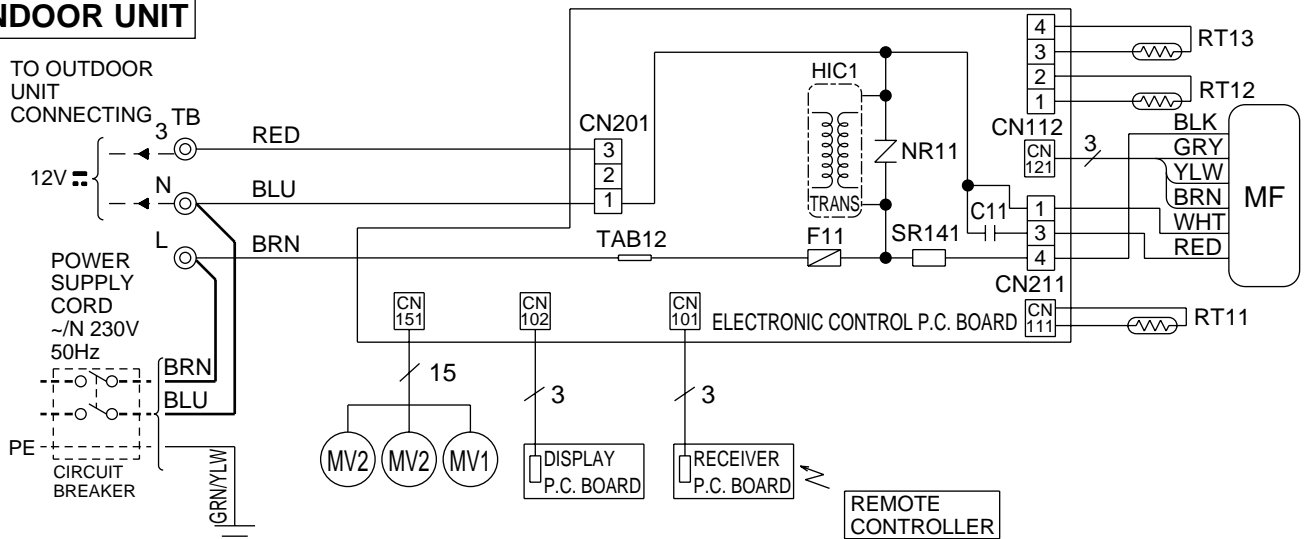
⊙ : Terminal block □□□□ : Connector

MSZ-A24YV -E1

MODELS WIRING DIAGRAM

MSZ-A26YV -E1

INDOOR UNIT



SYMBOL	NAME	SYMBOL	NAME	SYMBOL	NAME
C11	INDOOR FAN CAPACITOR	MV2	VANE MOTOR(VERTICAL)	SR141	SOLID STATE RELAY
F11	FUSE (3.15A)	NR11	VARISTOR	TB	TERMINAL BLOCK
HIC1	DC/DC CONVERTER	RT11	ROOM TEMPERATURE THERMISTOR		
MF	INDOOR FAN MOTOR (INNER PROTECTOR)	RT12	INDOOR COIL THERMISTOR (MAIN)		
MV1	VANE MOTOR (HORIZONTAL)	RT13	INDOOR COIL THERMISTOR (SUB)		

NOTES: 1.About the outdoor side electric wiring refer to the outdoor unit electric wiring diagram for servicing.

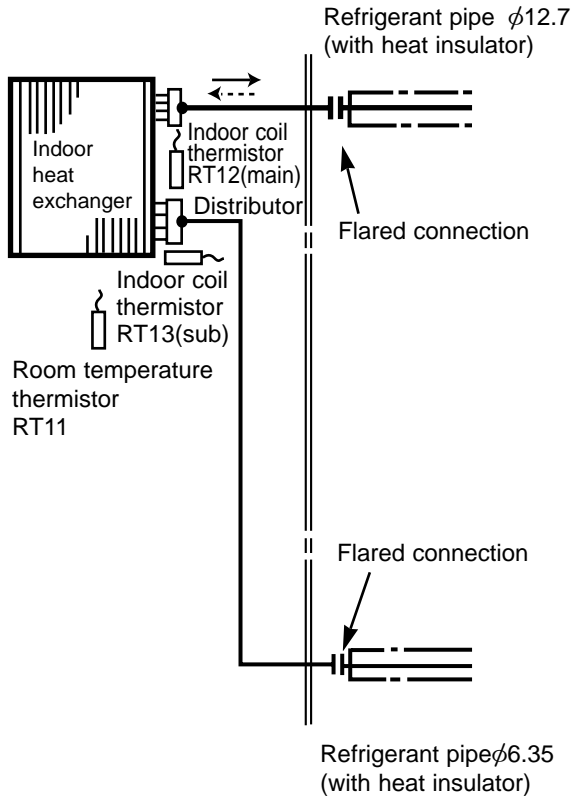
2.Use copper conductors only. (For field wiring)

3.Symbols below indicate.

⊙ : Terminal block □□□□ : Connector

MSZ-A18YV -E1

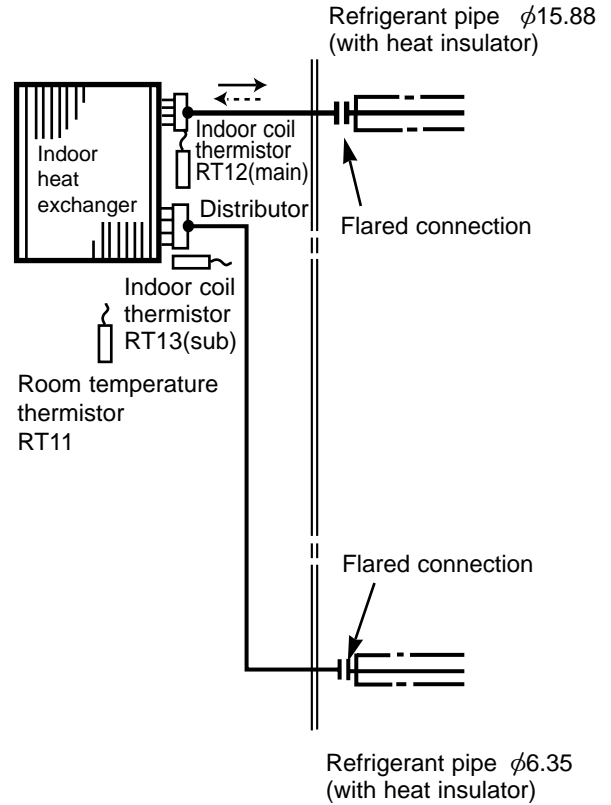
INDOOR UNIT



MSZ-A24YV -E1

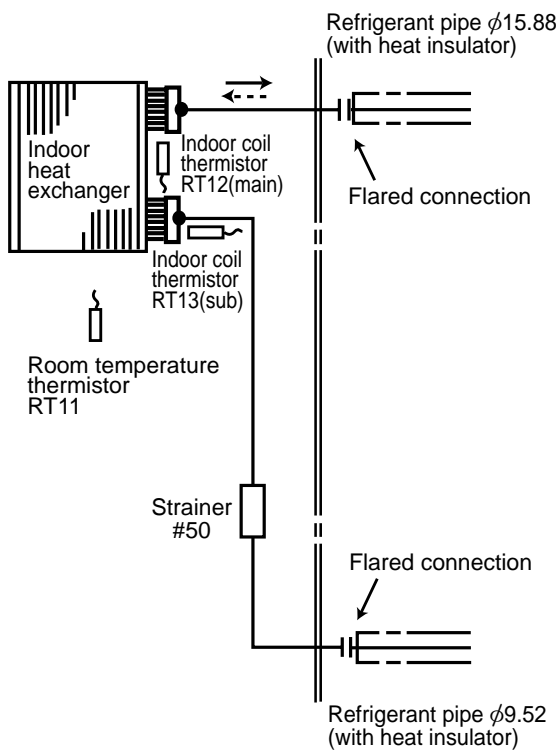
Unit:mm

INDOOR UNIT



MSZ-A26YV -E1

INDOOR UNIT



Refrigerant flow in cooling
 Refrigerant flow in heating

MSZ-A18YV -E1

MSZ-A24YV -E1

MSZ-A26YV -E1

7-1. TIMER SHORT MODE

For service, set time can be shortened by short circuit of JPG and JPS on the electronic control P.C. board.

The time will be shortened as follows.

Set time : 1 minute → 1-second

Set time : 3 minute → 3-second (It takes 3 minutes for the compressor to start operation. However, the starting time is shortened by short circuit of JPG and JPS.)

7-2. P.C. BOARD MODIFICATION FOR INDIVIDUAL OPERATION

A maximum of 4 indoor units with wireless remote controllers can be used in a room.

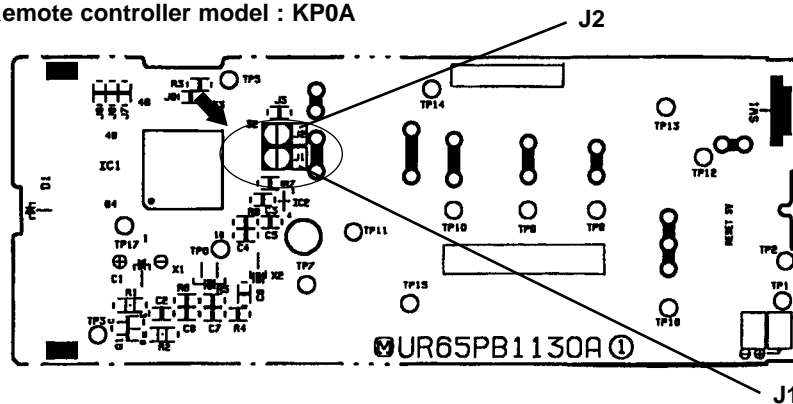
In this case, to operate each indoor unit individually by each remote controller, P.C. boards of remote controller must be modified according to the number of the indoor unit.

How to modify the remote controller P.C. board

Remove batteries before modification.

The board has a print as shown below :

Remote controller model : KP0A



NOTE : For remodelling, take out the batteries and press the OPERATE/STOP(ON/OFF)button twice or 3 times at first. After finish remodelling, put back the batteries then press the RESET button.

The P.C. board has the print "J1" and "J2". Solder "J1" and "J2" according to the number of indoor unit as shown in Table 1. After modification, press the RESET button.

Table 1

	1 unit operation	2 units operation	3 units operation	4 units operation
No. 1 unit	No modification	Same as at left	Same as at left	Same as at left
No. 2 unit	—	Solder J1	Same as at left	Same as at left
No. 3 unit	—	—	Solder J2	Same as at left
No. 4 unit	—	—	—	Solder both J1 and J2

How to set the remote controller exclusively for particular indoor unit

After you turn the breaker ON, the first remote controller that sends the signal to the indoor unit will be regarded as the remote controller for the indoor unit.

The indoor unit will only accept the signal from the remote controller that has been assigned to the indoor unit once they are set. The setting will be cancelled if the breaker has turned off, or the power supply has shut down.

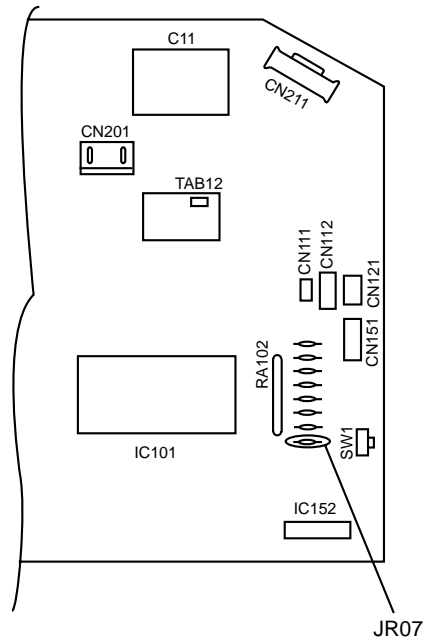
Please conduct the above setting once again after the power has restored.

7-3. AUTO RESTART FUNCTION

When the indoor unit is controlled with the remote controller, the operation mode, set temperature, and the fan speed are memorized by the indoor electronic control P.C. board. The "AUTO RESTART FUNCTION" sets to work the moment power has restored after power failure. Then, the unit will restart automatically. However if the unit is operated in "I FEEL CONTROL" mode before power failure, the operation is not memorized. In "I FEEL CONTROL" mode, the operation is decided by the initial room temperature.

How to release “AUTO RESTART FUNCTION”

- ① Turn off the main power for the unit.
- ② Pull out the electronic control P.C. board, the receiver P.C. board and the display P.C. board. (Refer to page 19.)
- ③ Solder jumper wire to the RESISTOR JR07 on the indoor electronic control P.C. board. (Refer to page 18.)



Operation

- ① If the main power has been cut, the operation settings remain.
- ② After the power is restored, the unit restarts automatically according to the memory. (However, it takes at least 3 minutes for the compressor to start running.)

NOTE

- The operation settings are memorized when 10 seconds have passed after the indoor unit was operated with the remote controller.
- If main power is turned off or a power failure occurs while AUTO START/STOP timer is active, the timer setting is cancelled.
- If the unit has been off with the remote controller before power failure, the auto restart function does not work as the power button of the remote controller is off.
- To prevent breaker off due to the rush of starting current, systematize other home appliances not to turn on at the same time.
- When some air conditioners are connected to the same supply system, if they are operated before power failure, the starting current of all the compressors may flow simultaneously at restart. Therefore, the special counter-measures are required to prevent the main voltage-drop or the rush of the starting current by adding to the system that allows the units to start one by one.

MSZ-A18YV -E1

MSZ-A24YV -E1

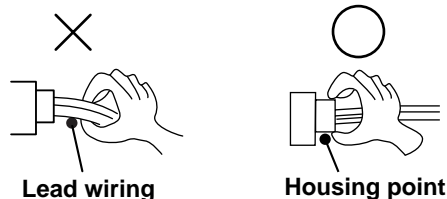
MSZ-A26YV -E1

8-1. Cautions on troubleshooting**1. Before troubleshooting, check the following:**

- (1) Check the power supply voltage.
- (2) Check the indoor/outdoor connecting wire for mis-wiring.

2. Take care the following during servicing.

- (1) Before servicing the air conditioner, be sure to first turn off the remote controller to stop the main unit, and then after confirming the horizontal vane is closed, turn off the breaker and / or disconnect the power plug.
- (2) Be sure to turn OFF the power supply before removing the front panel, the cabinet, the top panel, and the electronic control P.C. board.
- (3) When removing the electronic control P.C. board, hold the edge of the board with care NOT to apply stress on the components.
- (4) When connecting or disconnecting the connectors, hold the housing of the connector. DO NOT pull the lead wires.

**3. Troubleshooting procedure**

- (1) First, check if the OPERATION INDICATOR lamp on the indoor unit is flashing on and off to indicate an abnormality. To make sure, check how many times the abnormality indication is flashing on and off before starting service work.
- (2) Before servicing check that the connector and terminal are connected properly.
- (3) If the electronic control P.C. board is supposed to be defective, check the copper foil pattern for disconnection and the components for bursting and discoloration.
- (4) When troubleshooting, refer to the flow chart on page 12 and the check table on page 13.

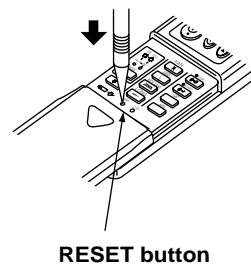
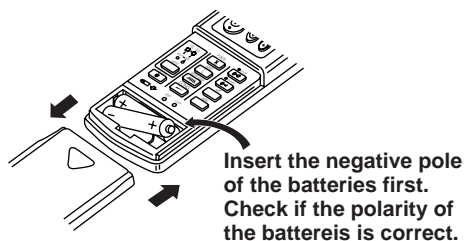
4. How to replace batteries

Weak batteries may cause the remote controller malfunction.

In this case, replace the batteries to operate the remote controller normally.

- ① Remove the front lid and insert batteries. Then reattach the front lid.

- ② Press the RESET button with tip end of ball point pen or the like, and then use the remote controller.

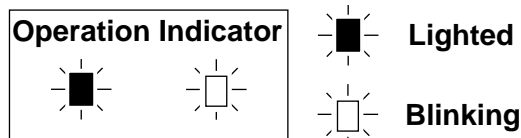


NOTE : If the RESET button is not pressed, the remote controller may not operate correctly.

INFORMATION FOR MULTI SYSTEM AIR CONDITIONER**OUTDOOR UNIT : MXZ series**

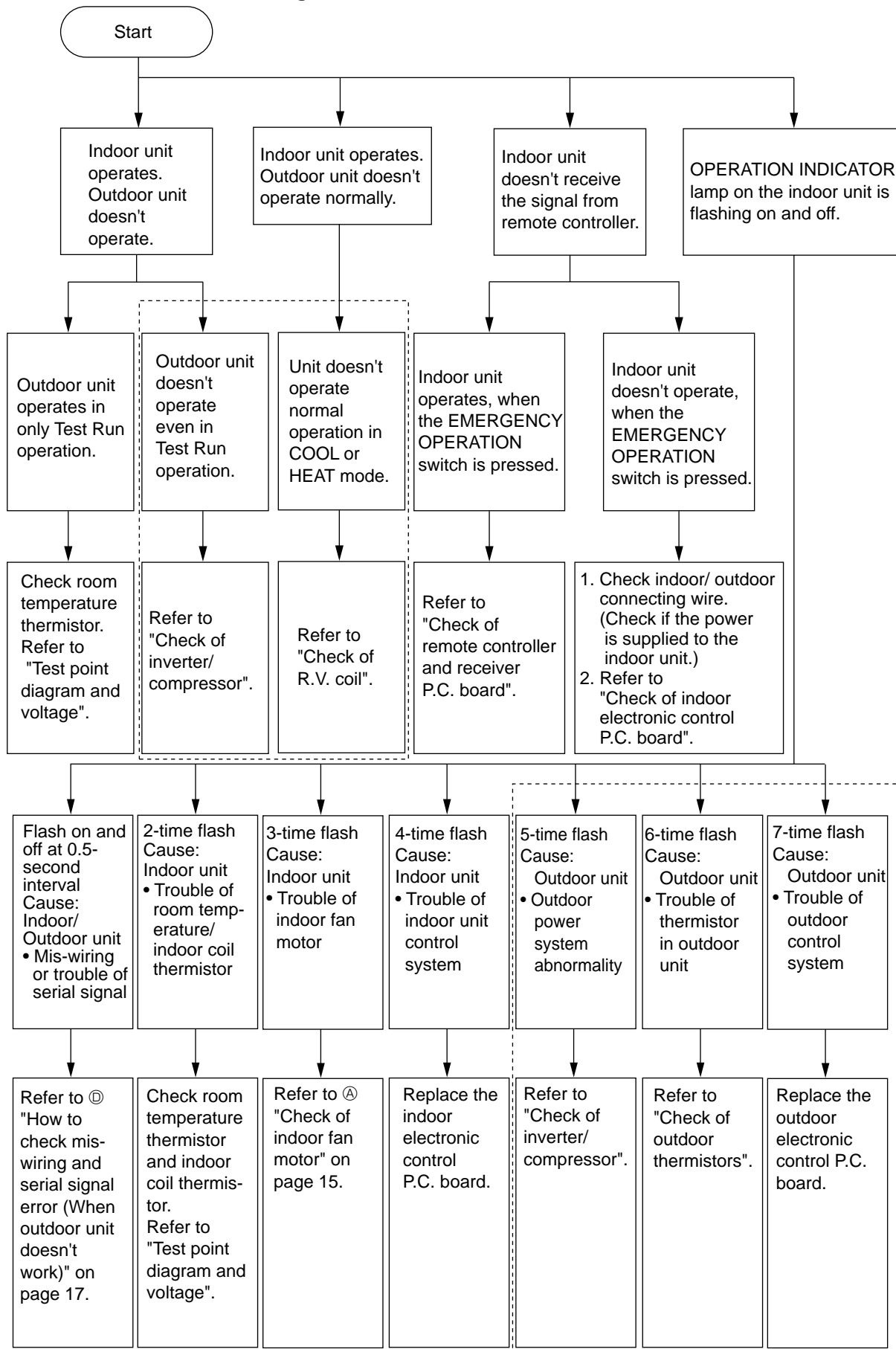
Multi system air conditioner can connect two or more indoor units with one outdoor unit.

- Unit won't operate in case the total capacity of indoor units exceeds the capacity of outdoor units. Do not connect indoor units beyond the outdoor unit capacity.
- When you try to operate two or more indoor units with one outdoor unit simultaneously, one for the cooling and the other for heating, the operation mode of the indoor unit that operates earlier is selected. The other indoor units will start the operation later cannot operate, indicating as shown in the figure below. In this case, please set all the indoor units to the same operation mode.



- When indoor units starts the operation while the defrosting of outdoor unit is being done, it takes a few minutes (max. 10 minutes) to blow out the warm air.
- In the heating operation, though indoor unit that does not operate may get warm or the sound of refrigerant flowing may be heard, they are not malfunction. The reason is that the refrigerant continuously flows into it.

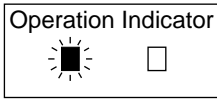
8-2. Instruction of troubleshooting



--- As for outdoor unit MUZ type, refer to service manual OB346.
 --- As for outdoor unit MXZ type, refer to service manual OB319.

1. Troubleshooting check table

- The following indication applies regardless of shape of the indicator.



Lighted

Not lighted

- Flashing of the OPERATION INDICATOR lamp (the left-hand side lamp) indicates possible abnormalities.
- The OPERATION INDICATOR lamp (the left-hand side lamp) is lighting during normal operation.

Before taking measures, make sure that the symptom reappears, for accurate troubleshooting.

Self check table

No.	Abnormal point	Operation indicator lamp	Symptom	Detection method	Checkpoint
1	Mis-Wiring or Serial signal	0.5-second ON ●○○○○○○○○○○ 0.5-second OFF	Outdoor unit does not operate.	3 minutes after power supply turns ON, when serial signal is not received.	• Refer to ④ "How to check mis-wiring and serial signal error" on page 17.
2	Indoor coil thermistor Room temperature thermistor	2-time flash ●○○○○○○○○●●○○○○ 2.5-second OFF	Outdoor unit does not operate.	Detect Indoor coil/room temperature thermistor short or open circuit every 8 seconds during operation.	• Refer to the characteristics of main indoor coil thermistor, sub indoor coil thermistor, and room temperature thermistor on page 18.
3	Indoor fan motor	3-time flash ●○○○○○○○○●○○○○○○○○●○○○○○○○○ 2.5-second OFF	Indoor fan repeats 12 seconds ON and 3minutes OFF. When the indoor fan breaks, the fan keeps stopping.	When rotational frequency feedback signal is not emit during 12-second indoor fan operation.	• Refer to ⑤ "Check of indoor fan motor" on page 15.
4	Indoor control system	4-time flash ●○○○○○○○○●○○○○○○○○●○○○○○○○○●○○○○○○○○ 2.5-second OFF	Outdoor unit does not operate.	When it cannot properly read data in the nonvolatile memory of the indoor electronic control P.C. board.	• Check the indoor electronic control P.C. board.
5	Outdoor power system	5-time flash ●○○○○○○○○●○○○○○○○○●○○○○○○○○●○○○○○○○○●○○○○○○○○ 2.5-second OFF	Outdoor unit does not operate.	When compressor has stopped due to over current protection or start-up failure protection 3 times in a row within 5 seconds after start-up.	• Refer to "Check of inverter/compressor". Refer to service manual OB346 or OB319.
6	Outdoor thermistors	6-time flash ●○○○○○○○○●○○○○○○○○●○○○○○○○○●○○○○○○○○●○○○○○○○○●○○○○○○○○ 2.5-second OFF	Outdoor unit does not operate.	<Thermistor short> Thermistors are abnormal when they short after compressor start-up. <Thermistor open> Thermistors are abnormal when they open after compressor start-up. However, discharge temperature thermistor is abnormal when open circuit is detected more than 10 minutes after compressor start-up.	• Shortage of refrigerant • Replace the outdoor control P.C. board. Refer to "Check of outdoor thermistor". Refer to service manual OB346 or OB319.
7	Outdoor control system	7-time flash ●○○○○○○○○●○○○○○○○○●○○○○○○○○●○○○○○○○○●○○○○○○○○●○○○○○○○○●○○○○○○○○ 2.5-second OFF	Outdoor unit does not operate.	When it cannot properly read data in the nonvolatile memory of outdoor electronic control P.C. board.	• Replace the outdoor electronic control P.C. board. Refer to service manual OB346 or OB319.
8	MXZ type Operation mode setting	Right lamp flashes. ●○○○○○○○○●○○○○○○○○●○○○○○○○○●○○○○○○○○●○○○○○○○○●○○○○○○○○●○○○○○○○○ 2.5-second OFF	Outdoor unit operates but indoor unit does not operate.	When the operation mode of each indoor unit is differently set to COOL(includes DRY) and HEAT at same time, the operation mode of indoor unit that has operated at first has the priority.	• Unify the operation mode. Refer to service manual OB319.

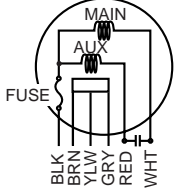
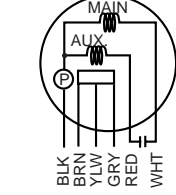
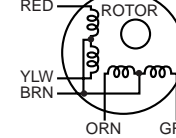
NOTE : When the indoor unit has started operation and the above detection method has detected an abnormality (the first detection after the power ON), the indoor electronic control P.C. board turns OFF the indoor fan motor with the OPERATION INDICATOR lamp flashing.

2. Trouble criterion of main parts

MSZ-A18YV -E1

MSZ-A24YV -E1

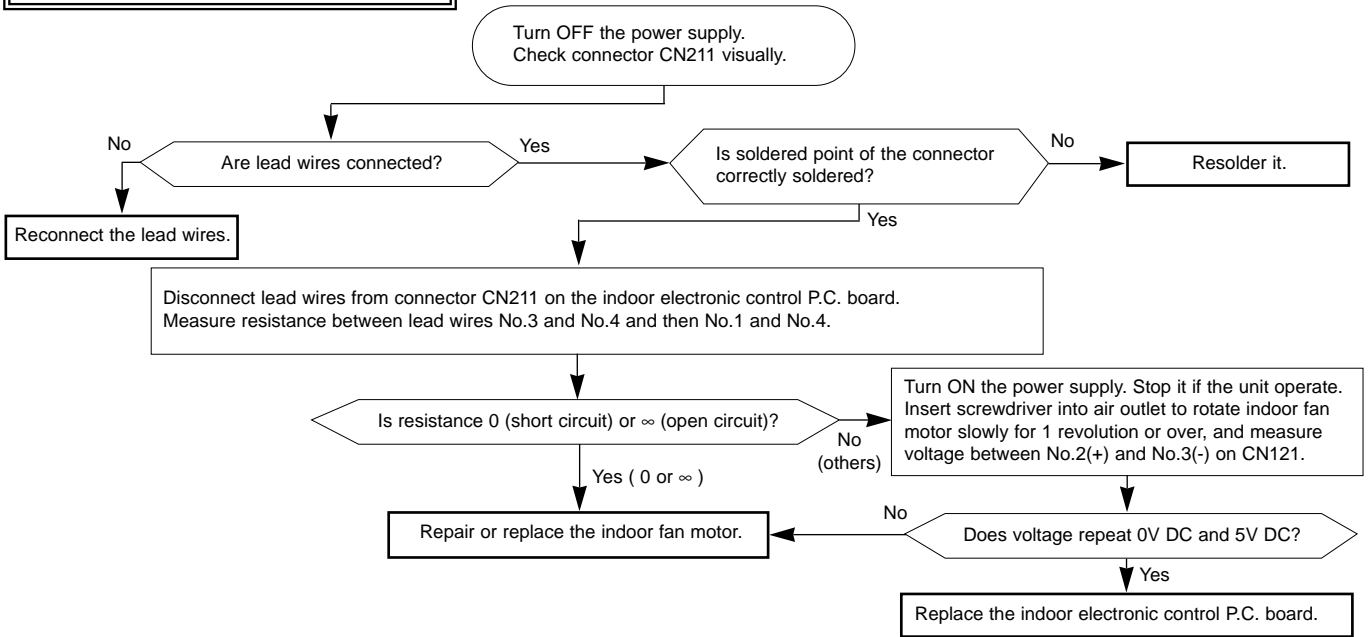
MSZ-A26YV -E1

Part name	Check method and criterion	Figure													
Room temperature thermistor(RT11)	Measure the resistance with a tester. (Part temperature 10°C ~ 30°C)														
Indoor coil thermistor (RT12(main), RT13(sub))	<table border="1"> <thead> <tr> <th>Normal</th> <th>Abnormal</th> </tr> </thead> <tbody> <tr> <td>8 kΩ ~ 20 kΩ</td> <td>Open or short-circuit</td> </tr> </tbody> </table>		Normal	Abnormal	8 kΩ ~ 20 kΩ	Open or short-circuit									
Normal	Abnormal														
8 kΩ ~ 20 kΩ	Open or short-circuit														
Indoor fan motor(MF) MSZ-A18YV INNER FUSE 145°C CUT OFF MSZ-A24/A26YV INNER PROTECTOR 135± 5°C OPEN 86± 15°C CLOSE	Motor part Measure the resistance between the terminals with a tester. (Part temperature 10°C ~ 30°C) <table border="1"> <thead> <tr> <th rowspan="2">Color of lead wire</th> <th colspan="2">Normal</th> <th rowspan="2">Abnormal</th> </tr> <tr> <th>MSZ-A18YV</th> <th>MSZ-A24/A26YV</th> </tr> </thead> <tbody> <tr> <td>WHT – BLK</td> <td>282 Ω ~ 305 Ω</td> <td>132 Ω ~ 144 Ω</td> <td rowspan="2">Open or short-circuit</td> </tr> <tr> <td>BLK – RED</td> <td>141 Ω ~ 152 Ω</td> <td>152 Ω ~ 166 Ω</td> </tr> </tbody> </table>	Color of lead wire	Normal		Abnormal	MSZ-A18YV	MSZ-A24/A26YV	WHT – BLK	282 Ω ~ 305 Ω	132 Ω ~ 144 Ω	Open or short-circuit	BLK – RED	141 Ω ~ 152 Ω	152 Ω ~ 166 Ω	MSZ-A18YV 
	Color of lead wire		Normal			Abnormal									
MSZ-A18YV		MSZ-A24/A26YV													
WHT – BLK	282 Ω ~ 305 Ω	132 Ω ~ 144 Ω	Open or short-circuit												
BLK – RED	141 Ω ~ 152 Ω	152 Ω ~ 166 Ω													
	Sensor part Measure the voltage power ON. <table border="1"> <thead> <tr> <th>Color of lead wire</th> <th>Normal</th> <th>Abnormal</th> </tr> </thead> <tbody> <tr> <td>BRN – YLW</td> <td>4.5 ~ 5.5V</td> <td rowspan="2">Remain 0V or 5V</td> </tr> <tr> <td>YLW – GRY</td> <td>(When fan revolved one time) 0V→5V→0V (Approx.)</td> </tr> </tbody> </table>	Color of lead wire	Normal	Abnormal	BRN – YLW	4.5 ~ 5.5V	Remain 0V or 5V	YLW – GRY	(When fan revolved one time) 0V→5V→0V (Approx.)	MSZ-A24/A26YV 					
	Color of lead wire	Normal	Abnormal												
BRN – YLW	4.5 ~ 5.5V	Remain 0V or 5V													
YLW – GRY	(When fan revolved one time) 0V→5V→0V (Approx.)														
Horizontal vane motor(MV1) Vertical vane motor(MV2)	Measure the resistance between the terminal with a tester. (Part temperature 10°C ~ 30°C) <table border="1"> <thead> <tr> <th>Normal</th> <th>Abnormal</th> </tr> </thead> <tbody> <tr> <td>282 Ω ~ 306 Ω</td> <td>Open or short-circuit</td> </tr> </tbody> </table>	Normal	Abnormal	282 Ω ~ 306 Ω	Open or short-circuit										
Normal	Abnormal														
282 Ω ~ 306 Ω	Open or short-circuit														

Ⓟ:INNER PROTECTOR

When OPERATION INDICATOR lamp flashes 3-time.
Indoor fan motor doesn't operate.

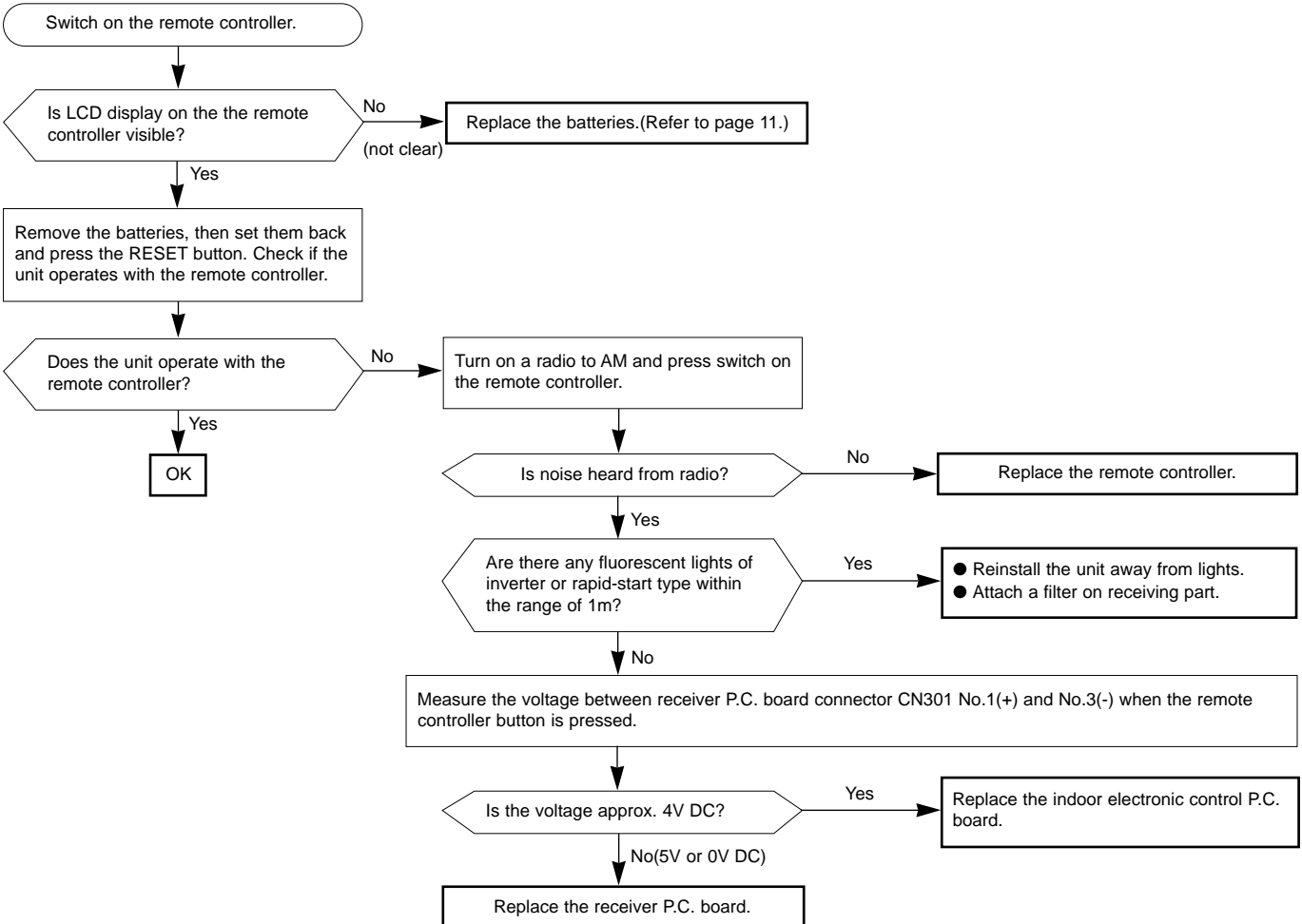
A Check of indoor fan motor



Indoor unit operates by pressing the EMERGENCY OPERATION switch, but doesn't operate with the remote controller.

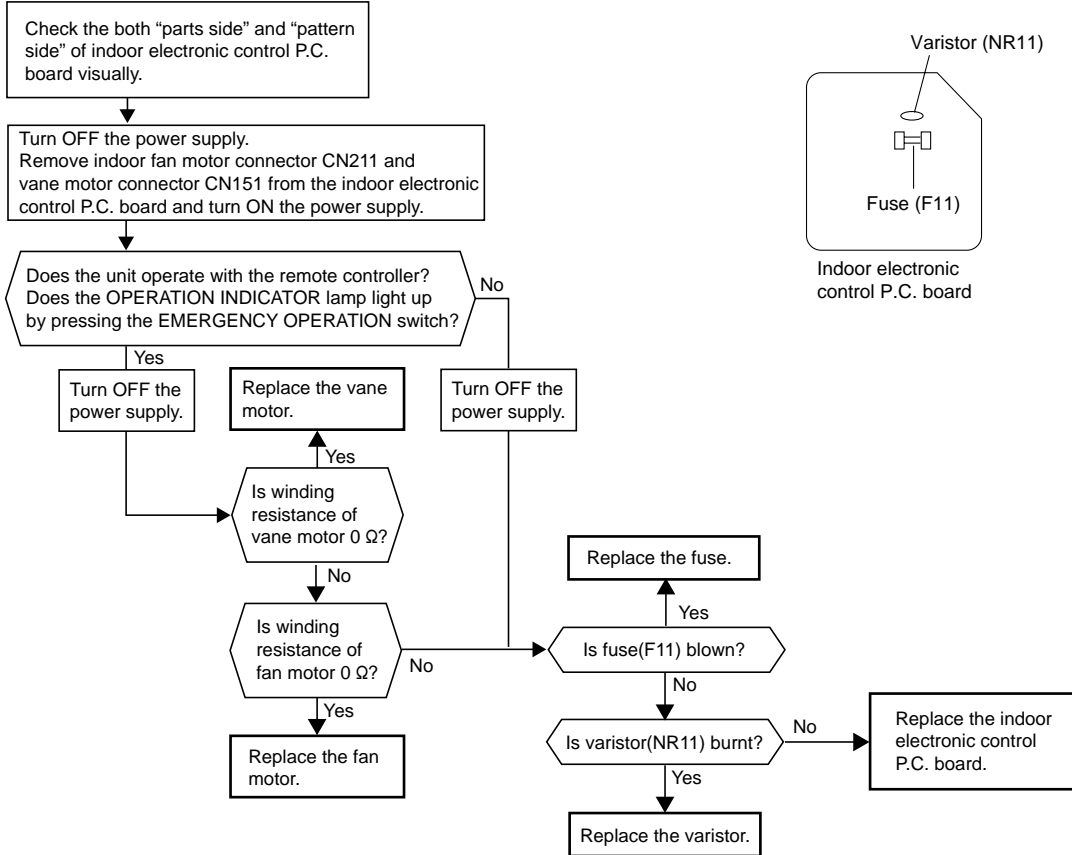
B Check of remote controller and receiver P.C. board

※ Check if the remote controller is exclusive for this air conditioner.



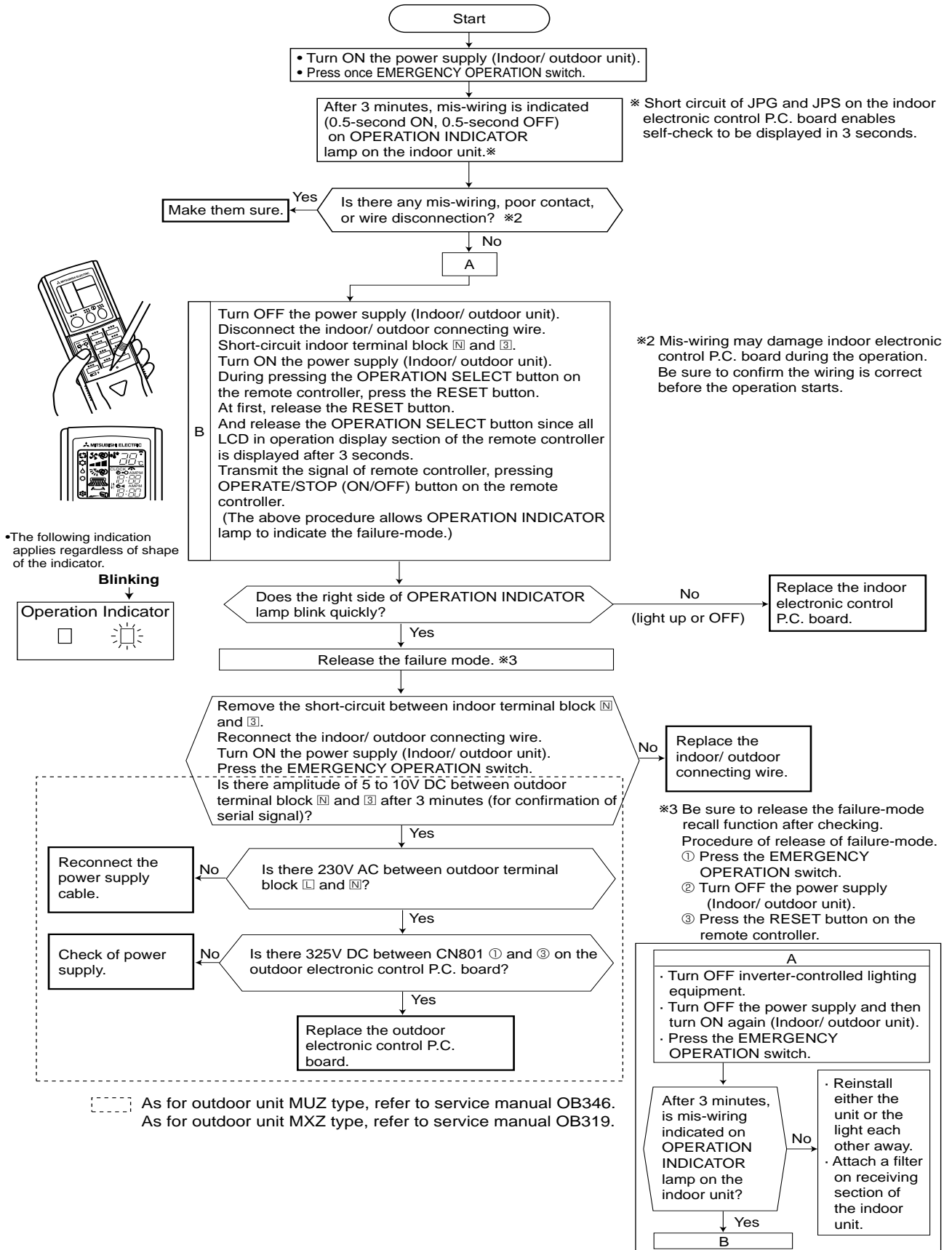
The unit doesn't operate with the remote controller. Also, the OPERATION INDICATOR lamp doesn't light up by pressing the EMERGENCY OPERATION switch.

© Check of indoor electronic control P.C. board

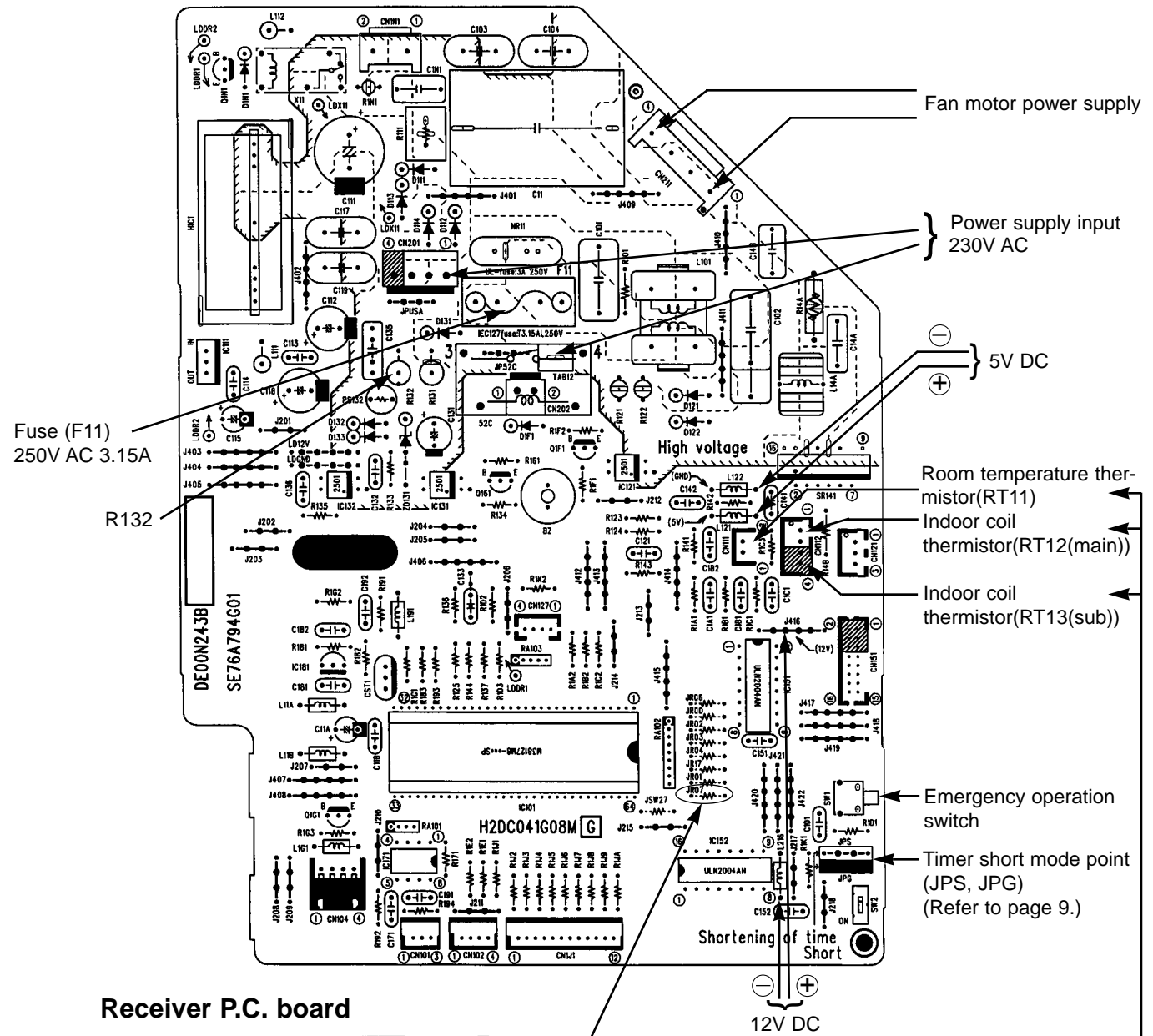


When OPERATION INDICATOR lamp flashes ON and OFF in every 0.5-second.
Outdoor unit doesn't operate.

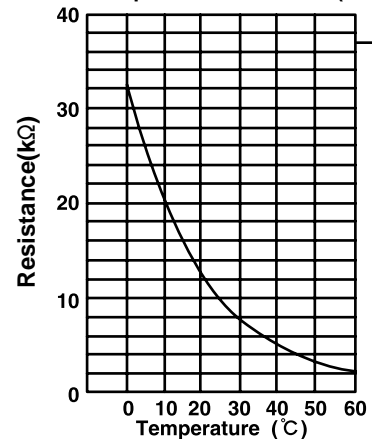
D How to check mis-wiring and serial signal error (when outdoor unit does not work)



TEST POINT DIAGRAM AND VOLTAGE
MSZ-A18YV -E1 MSZ-A24YV -E1 MSZ-A26YV -E1
Indoor electronic control P.C. board



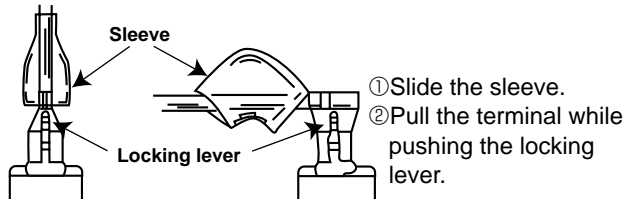
Indoor coil thermistor (RT12(main), RT13(sub))
 Room temperature thermistor (RT11)



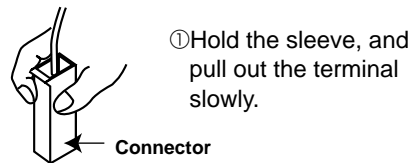
<"Terminal with lock mechanism" Detaching points>

In case of terminal with lock mechanism, detach the terminal as shown below.
There are two types (Refer to (1) and (2)) of the terminal with lock mechanism.
The terminal with no lock mechanism can be removed by pulling it out.
Check the shape of the terminal and work.

(1) Slide the sleeve and check if there is a locking lever or not.



(2) The terminal with this connector is a terminal with lock mechanism



MSZ-A18YV -[E1] MSZ-A24YV -[E1] MSZ-A26YV -[E1]
INDOOR UNIT

OPERATING PROCEDURE	PHOTOS
<p>1. Removing the front panel</p> <p>(1) Remove the screw caps of the front panel. Remove the screws.</p> <p>(2) Pull the panel down to your side slightly and unhook the catches at the top.</p>	<p>Photo 1</p> <p>Front panel</p> <p>Screws</p>
<p>2. Removing the electronic control P.C. board, the receiver P.C. board and the display P.C. board</p> <p>(1) Remove the front panel. (Refer to 1.)</p> <p>(2) Remove the screw of the electrical cover. Remove the electrical cover.</p> <p>(3) Remove the screws of the V.A. clamp. Remove the V.A. clamp.</p> <p>(4) Remove the screw of the terminal block.</p> <p>(5) Remove the screws of the ground wire.</p> <p>(6) Disconnect all the connectors and all the lead wires on the electronic control P.C. board.</p> <p>(7) Remove the R.L holder.</p> <p>(8) Remove the electronic control P.C. board.</p> <p>(9) Open the R.L holder, remove the receiver P.C. board and the display P.C. board.</p>	<p>Photo 2</p> <p>Screws of the ground wire</p> <p>Fan motor connectors</p> <p>Vane motor connector</p> <p>Indoor electronic control P.C. board</p> <p>Screw of the electrical cover</p> <p>Receiver P.C. board</p> <p>Screw of the holder</p> <p>R.L</p> <p>Screw of the terminal block</p> <p>Screw of the V.A. clamp</p>

OPERATING PROCEDURE

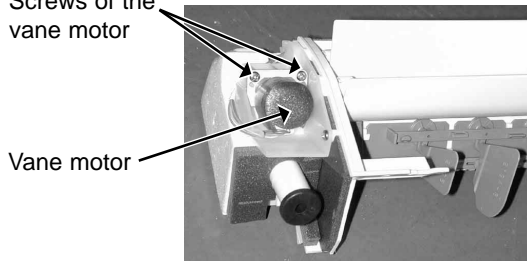
3. Removing the electrical box

- (1) Remove the front panel. (Refer to 1.)
- (2) Remove the electrical cover. (Refer to 2.)
- (3) Disconnect the connector of the indoor coil thermistor.
- (4) Disconnect the motor connector (CN211 and CN121) and the vane motor connector (CN151) on the electronic control P.C. board.
- (5) Remove the screws of ground wire.
- (6) Remove the fan motor lead wire and indoor coil thermistor from the electrical box.
- (7) Remove the lead wire of vane motor from the bottom of electrical box.
- (8) Remove the screw fixing the electrical box and remove the electrical box.

4. Removing the vane motor

- (1) Remove the front panel. (Refer to 1.)
- (2) Remove the electrical cover. (Refer to 2.)
- (3) Remove the lead wire of vane motor. (Refer to 3.)
- (4) Remove the R.L. holder.
- (5) Pull out the drain hose from the nozzle assembly and remove the nozzle assembly.
- (6) Remove the screws of the vane motor and disconnect the connector.
- (7) Remove the vane motor.

Photo 5 Screws of the vane motor



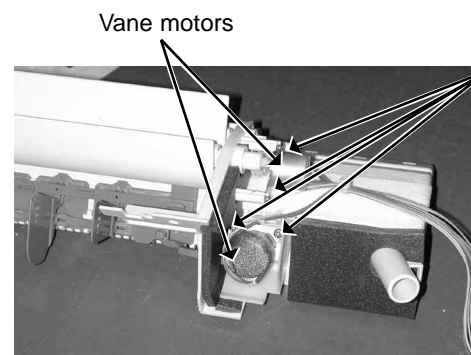
PHOTOS

Photo 3 Screws of the ground wire



Screw of the electrical cover
Screw of the electrical box

Photo 4



Vane motors

Screws of the vane motor

5. Removing the line flow fan and the indoor fan motor

- (1) Remove the front panel. (Refer to 1.)
- (2) Remove the electrical box. (Refer to 3.)
- (3) Pull out the drain hose from the nozzle assembly and remove the nozzle assembly.
- (4) Remove the water cut.
- (5) Slide the hole cover and remove the hole cover.
- (6) Remove the hexagon socket set screw from the line flow fan.
- (7) Remove the screws fixing the fan motor and remove the fan motor. (Be careful not to drop the fan motor because it is heavy.)
- (8) Remove the screws fixing the left side of the heat exchanger.
- (9) Lift the left side of the heat exchanger.
- (10) Remove the line flow fan.

Photo 8

Hole cover

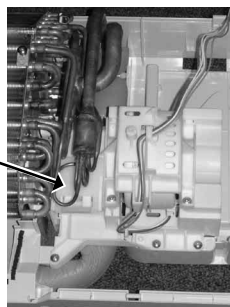


Photo 6

Screws fixing the left side of the heat exchanger

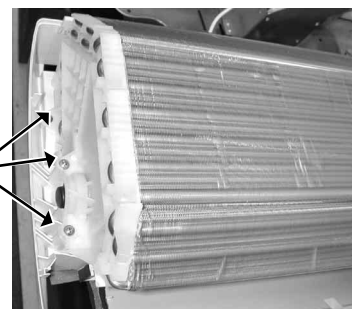
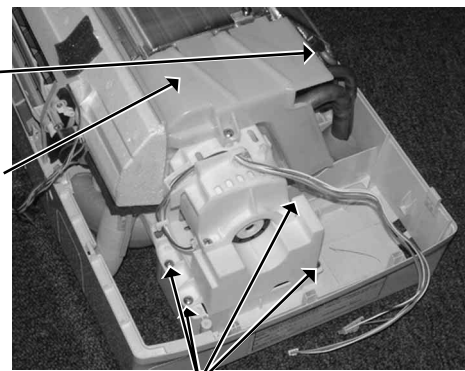


Photo 7

Indoor coil thermistor
Water cut



Screws fixing the fan motor

10

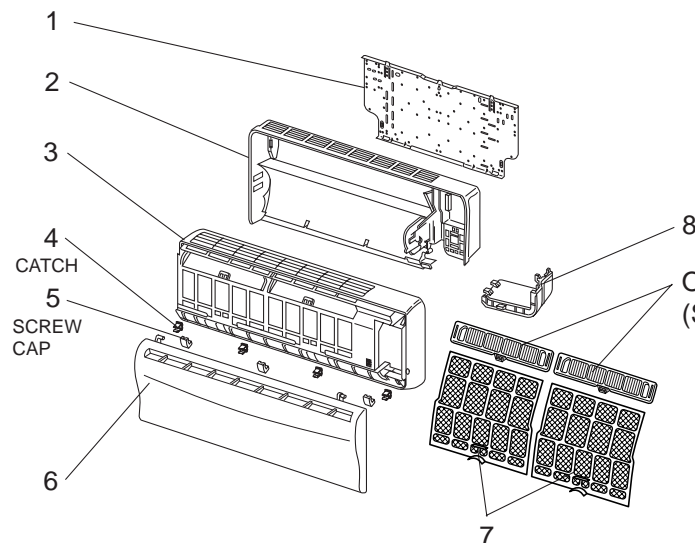
PARTS LIST

MSZ-A18YV -^{E1} (WH)

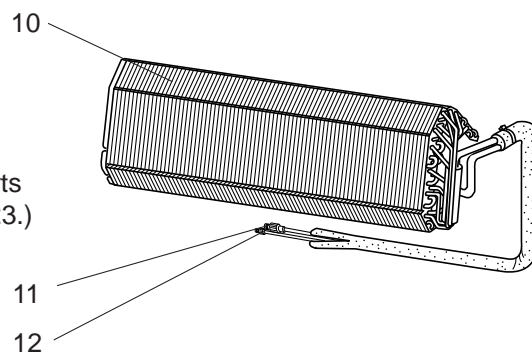
MSZ-A24YV -^{E1} (WH)

MSZ-A26YV -^{E1} (WH)

10-1. INDOOR UNIT STRUCTURAL PARTS



10-2. INDOOR UNIT HEAT EXCHANGER



10-1. INDOOR UNIT STRUCTURAL PARTS

Part number that is circled is not shown in the illustration.

No.	Part No.	Part Name	Symbol in Wiring Diagram	Q'ty/unit			Remarks
				MSZ-A18 YV - ^{E1} (WH)	MSZ-A24 YV - ^{E1} (WH)	MSZ-A26 YV - ^{E1} (WH)	
1	E02 527 970	INSTALLATION PLATE		1	1	1	
2	E02 527 234	BOX (WH)		1	1	1	
3	E02 851 000	FRONT PANEL ASSEMBLY(WH)		1	1	1	Including No.4,5,6
4	E02 408 142	CATCH		4	4	4	4PCS/ SET
5	E02 527 067	SCREW CAP (WH)		3	3	3	3PCS/ SET
6	E02 851 010	GRILLE (WH)		1	1	1	
7	E02 534 100	CATECHIN AIR FILTER		2	2	2	
8	E02 527 975	CORNER BOX RIGHT		1	1	1	
⑨	E02 851 007	LAMP PANEL		1	1	1	

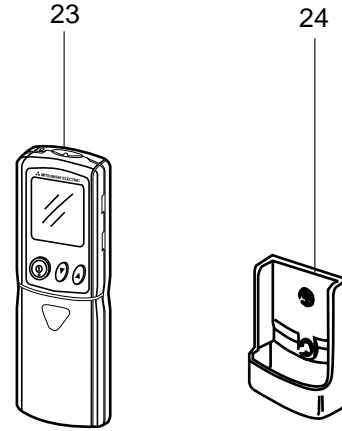
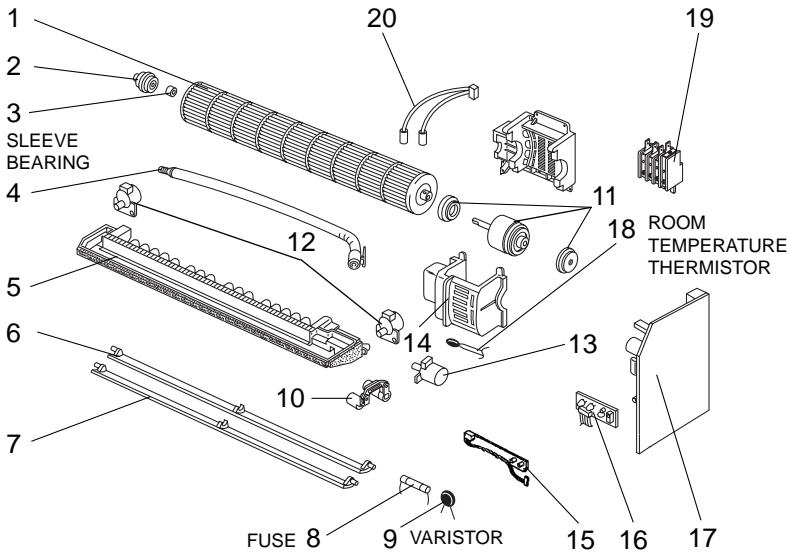
10-2. INDOOR UNIT HEAT EXCHANGER

10	E02 851 620	INDOOR HEAT EXCHANGER		1	1		
	E02 819 620	INDOOR HEAT EXCHANGER				1	
11	E02 179 667	UNION (GAS)		1			φ12.7
	E02 138 666	UNION (GAS)			1	1	φ15.88
12	E02 151 667	UNION (LIQUID)		1	1		φ6.35
	E02 527 667	UNION (LIQUID)				1	φ9.52

MSZ-A18YV -E1 (WH)
 MSZ-A24YV -E1 (WH)
 MSZ-A26YV -E1 (WH)

10-3. INDOOR UNIT FUNCTIONAL PARTS AND ELECTRICAL PARTS

10-4. ACCESSORY AND REMOTE CONTROLLER



10-3. INDOOR UNIT FUNCTIONAL PARTS AND ELECTRICAL PARTS

Part numbers that are circled are not shown in the illustration.

No.	Part No.	Part Name	Symbol in Wiring Diagram	Q'ty/unit			Remarks
				MSZ-A18 YV -E1 (WH)	MSZ-A24 YV -E1 (WH)	MSZ-A26 YV -E1 (WH)	
1	E02 527 302	LINE FLOW FAN		1	1	1	
2	E02 408 509	BEARING MOUNT		1	1	1	
3	E02 001 504	SLEEVE BEARING		1	1	1	
4	E02 408 702	DRAIN HOSE		1	1	1	
5	E02 527 235	NOZZLE (WH)		1	1	1	
6	E02 527 040	VANE UPPER (WH)		1	1	1	
7	E02 527 041	VANE LOWER (WH)		1	1	1	
8	E02 127 382	FUSE	F11	1	1	1	3.15A
9	E02 817 385	VARISTOR	NR11	1	1	1	
10	E02 527 034	VANE CRANK SET		1	1	1	
11	E02 817 300	INDOOR FAN MOTOR ASSEMBLY	MF	1			RC4V32 - □□ Including RUBBER MOUNT
	E02 527 300	INDOOR FAN MOTOR ASSEMBLY	MF		1	1	RC4V40 - □□ Including RUBBER MOUNT
12	E02 448 303	VANE MOTOR (VERTICAL)	MV2	2	2	2	RIGHT & LEFT
13	E02 408 303	VANE MOTOR (HORIZONTAL)	MV1	1	1	1	UP & DOWN
14	E02 817 333	MOTOR BAND		1			
	E02 527 333	MOTOR BAND			1	1	
15	E02 528 329	DISPLAY P.C. BOARD		1	1	1	
16	E02 527 468	RECEIVER P.C. BOARD		1	1	1	
17	E02 851 452	ELECTRONIC CONTROL P.C. BOARD		1			AUTO RESTART Including No.16
	E02 852 452	ELECTRONIC CONTROL P.C. BOARD			1		AUTO RESTART Including No.16
	E02 853 452	ELECTRONIC CONTROL P.C. BOARD				1	AUTO RESTART Including No.16
18	E02 527 308	ROOM TEMPERATURE THERMISTOR	RT11	1	1	1	
19	E02 819 375	TERMINAL BLOCK	TB	1	1	1	
20	E02 851 307	INDOOR COIL THERMISTOR	RT12, RT13	1	1		
	E02 527 307	INDOOR COIL THERMISTOR	RT12, RT13			1	
21	E02 528 034	VANE MOTOR SUPPORT SET(RIGHT)		1	1	1	
22	E02 529 034	VANE MOTOR SUPPORT SET(LEFT)		1	1	1	

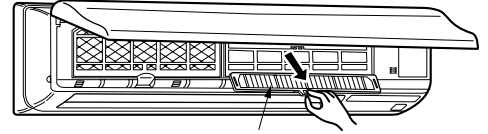
10-4. ACCESSORY AND REMOTE CONTROLLER

23	E02 529 426	REMOTE CONTROLLER		1	1	1	KPOA
24	E02 527 083	REMOTE CONTROLLER HOLDER		1	1	1	

AIR CLEANING FILTER

- AIR CLEANING FILTER removes fine dust of 0.01 micron from air by means of static electricity.
- Normal life of AIR CLEANING FILTER is 4 months. However, when it becomes dirty, replace it as soon as possible.
- Clogged AIR CLEANING FILTER may reduce the air conditioner capacity or cause frost on the air outlet.
- DO NOT reuse AIR CLEANING FILTER even if it is washed.
- DO NOT remove or attach AIR CLEANING FILTER during unit operation.

Model	Part No.
MSZ-A18YV -E1	MAC-1700FT
MSZ-A24YV -E1	
MSZ-A26YV -E1	



Air cleanig filter (White bellows type)



HEAD OFFICE: MITSUBISHI DENKI BLDG.,2-2-3, MARUNOUCHI, CHIYODA-KU, TOKYO100-8310, JAPAN

© Copyright 2004 MITSUBISHI ELECTRIC ENGINEERING CO.,LTD
Distributed in Apr. 2004. No.OB345 6
Made in Japan

New publication, effective Apr. 2004
Specifications subject to change without notice.