

OUTDOOR UNIT

PARTS CATALOG

No. OBB469

Wireless type
Models

MUZ-GC25VA - E1

MUZ-GC25VAH - E1

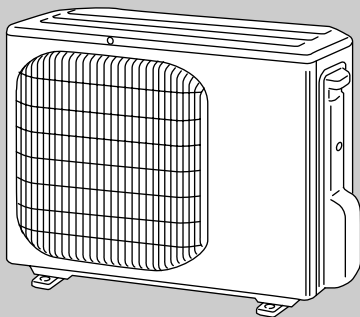
MUZ-GC35VA - E1

MUZ-GC35VAH - E1

CONTENTS

1. RoHS PARTS LIST2

SERVICE MANUAL (OBH469)



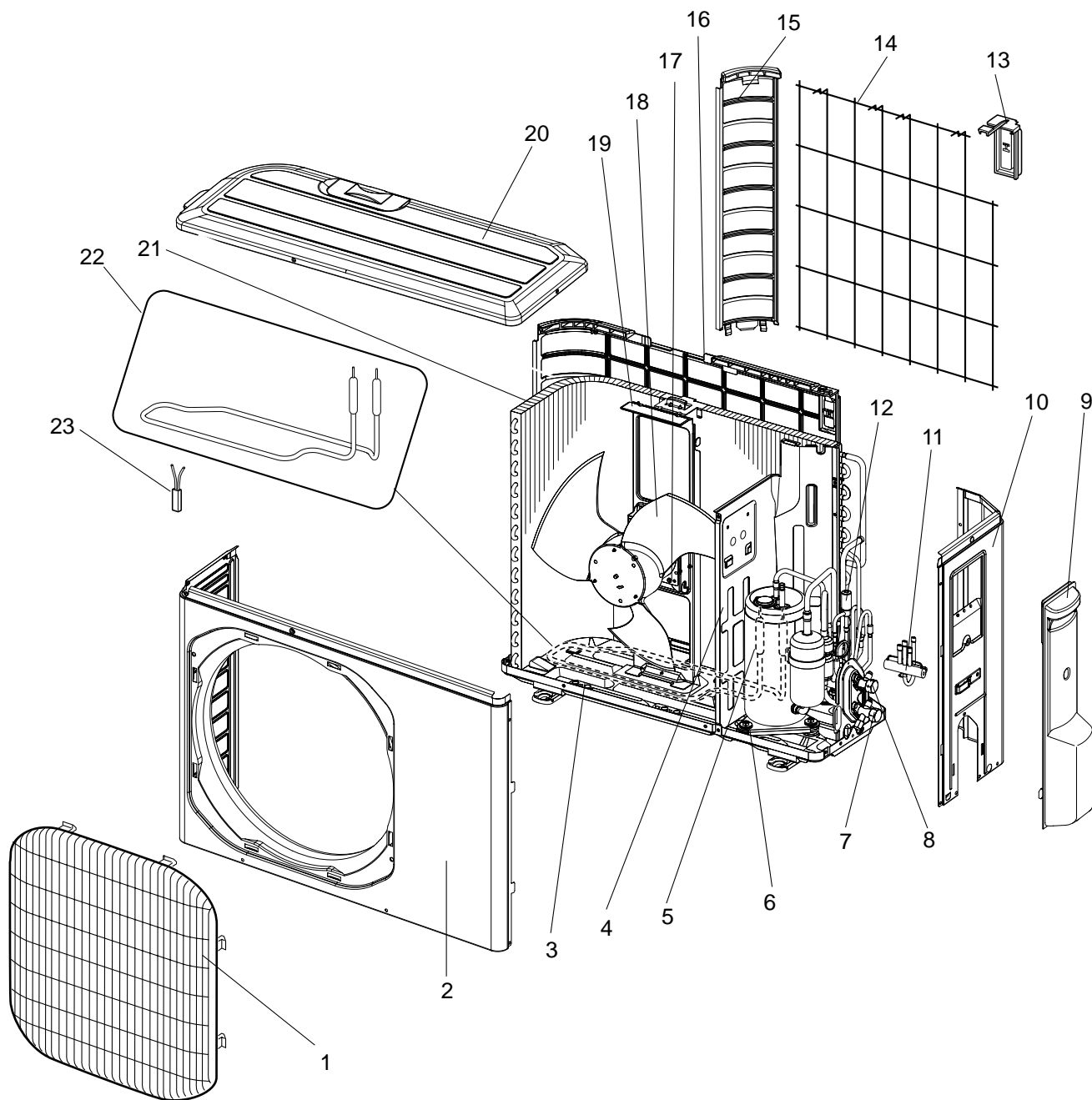
**MUZ-GC25VA
MUZ-GC25VAH**

NOTE:
RoHS compliant products have <G> mark on the spec name plate.



MUZ-GC25VA MUZ-GC25VAH

1-1. OUTDOOR UNIT STRUCTURAL PARTS AND FUNCTIONAL PARTS



MUZ-GC25VA MUZ-GC25VAH

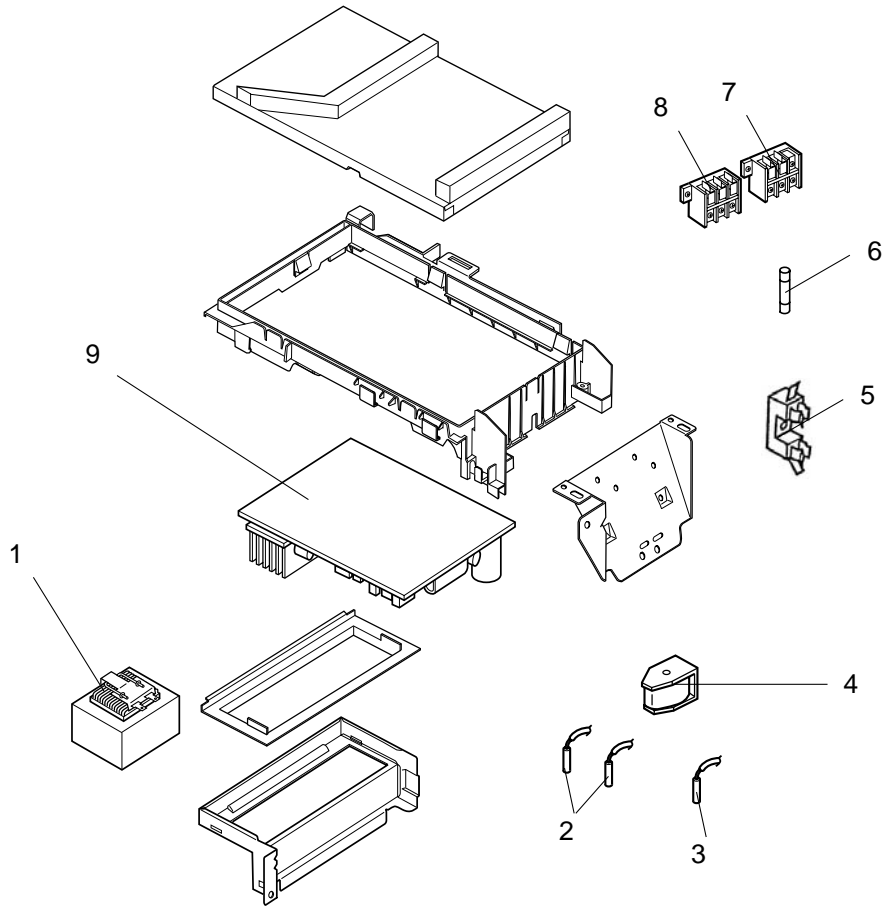
1-1. OUTDOOR UNIT STRUCTURAL PARTS AND FUNCTIONAL PARTS

Part number that is circled is not shown in the illustration.

No.	RoHS	Part No.	Part Name	Symbol in Wiring Diagram	Q'ty/unit		Remarks
					MUZ-GC25VA- [E1]	MUZ-GC25VAH-[E1]	
1	G	E12 B72 521	GRILLE		1	1	
2	G	E12 B72 232	CABINET		1	1	
3	G	E12 B72 290	BASE		1		
	G	E12 B84 290	BASE			1	
4	G	E12 B72 293	SEPARATOR		1		
	G	E12 B84 293	SEPARATOR			1	
5	G	E12 928 900	COMPRESSOR	MC	1	1	KNB065FDTHC
6	G	E12 065 506	COMPRESSOR RUBBER SET		3	3	3RUBBERS/SET
7	G	E12 927 661	STOP VALVE (GAS)		1	1	φ9.52
8	G	E12 927 662	STOP VALVE (LIQUID)		1	1	φ6.35
9	G	E12 B72 245	SERVICE PANEL		1	1	
10	G	E12 B72 233	BACK PANEL		1	1	
11	G	E12 931 961	4-WAY VALVE		1	1	
12	G	E12 927 640	EXPANSION VALVE		1	1	
13	G	E12 B84 079	THERMO HOLDER			1	
14	G	E12 B84 525	CONDENSER WIRE NET			1	
15	G	E12 B84 523	CONDENSER NET			1	
16	G	E12 B72 523	CONDENSER NET		1		
17	G	E12 A89 301	OUTDOOR FAN MOTOR	MF	1	1	RA6V21-□□
18	G	E12 B72 501	PROPELLER		1	1	
19	G	E12 B72 515	MOTOR SUPPORT		1	1	
20	G	E12 B72 297	TOP PANEL		1	1	
21	G	E12 B82 630	OUTDOOR HEAT EXCHANGER		1	1	
22	G	E12 B84 526	DEFROST HEATER	H		1	
23	G	E12 B84 381	HEATER PROTECTOR	26H		1	
24	G	E12 B82 936	CAPILLARY TUBE		1	1	φ3.0×2.0×260
25	G	E12 927 493	EXPANSION VALVE COIL	LEV	1	1	

MUZ-GC25VA MUZ-GC25VAH

1-2. OUTDOOR UNIT ELECTRICAL PARTS



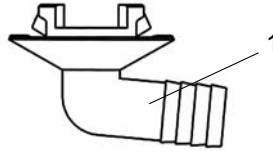
Part number that is circled is not shown in the illustration.

No.	RoHS	Part No.	Part Name	Symbol in Wiring Diagram	Q'ty/unit		Remarks
					MUZ-GC25VA-[E1]	MUZ-GC25VAH-[E1]	
1	G	E12 B72 337	REACTOR	L61	1	1	
2	G	E12 927 306	THERMISTOR SET	RT61,RT62	1	1	DEFROST, DISCHARGE
3	G	E12 B82 308	AMBIENT TEMPERATURE THERMISTOR	RT65	1	1	
4	G	E12 B72 490	R.V. COIL	21S4	1	1	
5	G	E12 735 241	FUSE HOLDER		1	1	
6	G	E12 735 382	FUSE	F61	1	1	T20AL250V
7	G	E12 573 375	TERMINAL BLOCK	TB1	1	1	3P
8	G	E12 927 374	TERMINAL BLOCK	TB2	1	1	3P
9	G	E12 B82 451	INVERTER P.C. BOARD		1		Including heat sink and RT64
	G	E12 B84 451	INVERTER P.C. BOARD			1	Including heat sink and RT64
⑩	G	E12 127 382	FUSE	F701,F801	1	1	T3.15AL250V
⑪	G	E12 661 385	VARISTOR	NR61,NR62,NR63	1	1	



MUZ-GC25VA

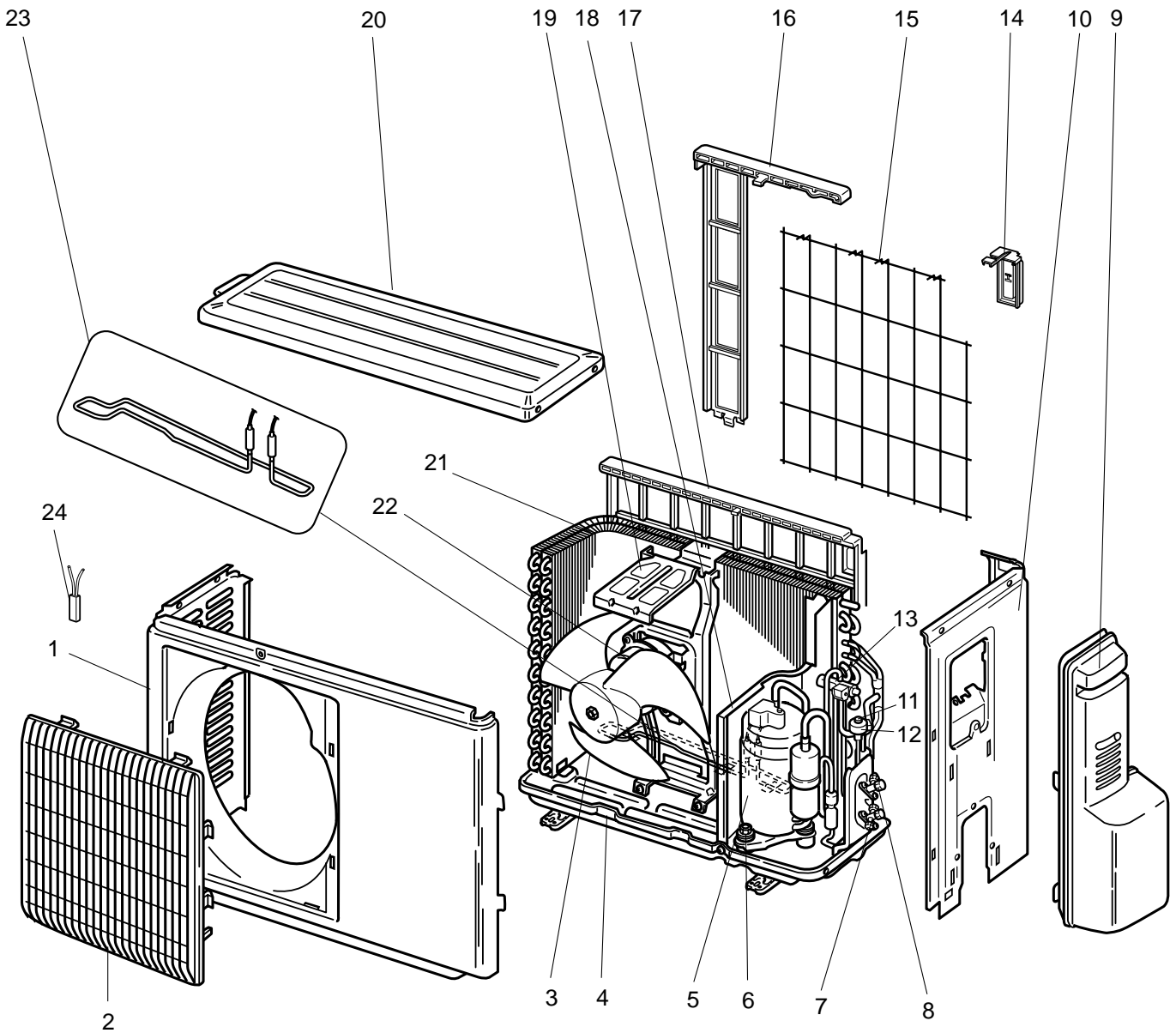
1-3. DRAIN SOCKET



No.	RoHS	Parts No.	Parts Name	Symbol in Wiring Diagram	Q'ty/unit	Remarks
					MUZ-GC25VA- E1	
1	G	E12 817 704	DRAIN SOCKET		1	

MUZ-GC35VA MUZ-GC35VAH

1-4. OUTDOOR UNIT STRUCTURAL PARTS AND FUNCTIONAL PARTS



MUZ-GC35VA MUZ-GC35VAH

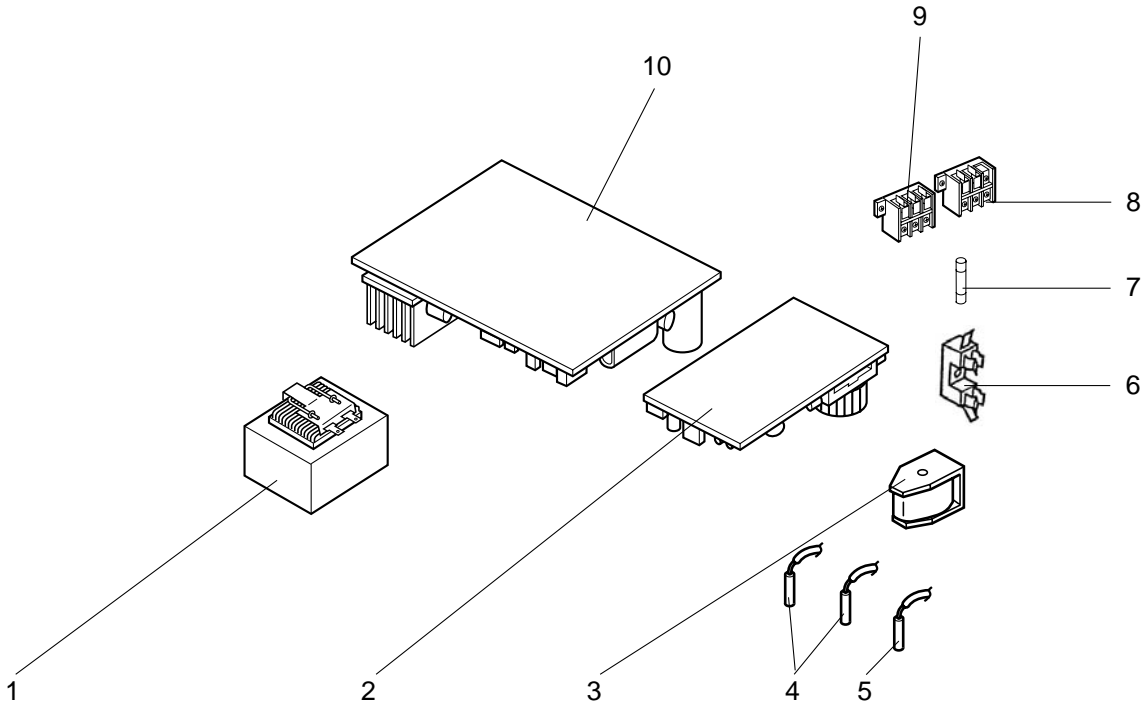
1-4. OUTDOOR UNIT STRUCTURAL PARTS AND FUNCTIONAL PARTS

Part number that is circled is not shown in the illustration.

No.	RoHS	Part No.	Part Name	Symbol in Wiring Diagram	Q'ty/unit		Remarks
					MUZ- GC35VA - [E1]	MUZ- GC35VAH - [E1]	
1	G	E12 927 232	CABINET		1	1	
2	G	E12 927 521	GRILLE		1	1	
3	G	E12 927 501	PROPELLER		1	1	
4	G	E12 927 290	BASE		1		
	G	E12 928 290	BASE			1	
5	G	E12 B73 900	COMPRESSOR	MC	1	1	KNB073FEDH
	G	E12 B93 900	COMPRESSOR	MC	1	1	KNB073FGDH
6	G	E12 065 506	COMPRESSOR RUBBER SET		3	3	3RUBBERS/SET
7	G	E12 927 661	STOP VALVE (GAS)		1	1	φ9.52
8	G	E12 927 662	STOP VALVE (LIQUID)		1	1	φ6.35
9	G	E12 927 245	SERVICE PANEL		1	1	
10	G	E12 927 233	BACK PANEL		1	1	
11	G	E12 927 640	EXPANSION VALVE		1	1	
12	G	E12 927 493	EXPANSION VALVE COIL	LEV	1	1	
13	G	E12 927 961	4-WAY VALVE		1	1	
14	G	E12 928 079	THERMO HOLDER			1	
15	G	E12 928 525	CONDENSER WIRE NET			1	
16	G	E12 928 523	CONDENSER NET			1	
17	G	E12 B83 523	CONDENSER NET		1		
18	G	E12 927 293	SEPARATOR		1		
	G	E12 928 293	SEPARATOR			1	
19	G	E12 927 515	MOTOR SUPPORT		1	1	
20	G	E12 927 297	TOP PANEL		1	1	
21	G	E12 B83 630	OUTDOOR HEAT EXCHANGER		1	1	
22	G	E12 927 301	OUTDOOR FAN MOTOR	MF	1	1	RC0J50- □□
23	G	E12 840 526	DEFROST HEATER	H		1	
24	G	E12 840 381	HEATER PROTECTOR	26H		1	
25	G	E12 927 937	CAPILLARY TUBE		1	1	φ3.0Xφ2.0X240

MUZ-GC35VA MUZ-GC35VAH

1-5. OUTDOOR UNIT ELECTRICAL PARTS



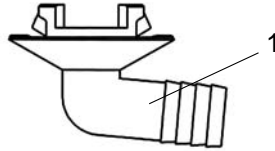
Part numbers that are circled are not shown in the illustration.

No.	RoHS	Part No.	Part Name	Symbol in Wiring Diagram	Q'ty/unit		Remarks
					MUZ-GC35VA - [E1]	MUZ-GC35VAH - [E1]	
1	G	E12 838 337	REACTOR	L61	1	1	
2	G	E12 B83 444	POWER P.C. BOARD		1		
	G	E12 B85 444	POWER P.C. BOARD			1	
3	G	E12 927 490	R.V. COIL	21S4	1	1	
4	G	E12 B83 306	THERMISTOR SET	RT61,RT62	1	1	DEFROST, DISCHARGE
5	G	E12 927 308	AMBIENT TEMPERATURE THERMISTOR	RT65	1	1	
6	G	E12 735 241	FUSE HOLDER		1	1	
7	G	E12 735 382	FUSE	F61	1	1	T20AL250V
8	G	E12 573 375	TERMINAL BLOCK	TB1	1	1	3P
9	G	E12 927 374	TERMINAL BLOCK	TB2	1	1	3P
10	G	E12 B83 451	INVERTER P.C. BOARD		1		Including heat sink and RT64
	G	E12 B85 451	INVERTER P.C. BOARD			1	Including heat sink and RT64
⑪	G	E12 127 382	FUSE	F71,F801,F901	1	1	T3.15AL250V
⑫	G	E12 661 385	VARISTOR	NR62,NR63,NR64	1	1	



MUZ-GC35VA

1-6. DRAIN SOCKET



No.	RoHS	Parts No.	Parts Name	Symbol in Wiring Diagram	Q'ty/unit	Remarks
					MUZ-GC35VA- E1	
1	G	E12 838 704	DRAIN SOCKET		1	



© Copyright 2007 MITSUBISHI ELECTRIC ENGINEERING CO.,LTD
Distributed in Jan. 2007. No. OBB469 6
Made in Japan

New publication, effective Jan. 2007
Specifications subject to change without notice.