

Air Conditioning

Product Information

MSZ-GF60VE Inverter Heat Pump
Classic Wall Mounted System

Making a
World of
Difference

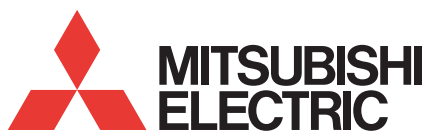
M series



These models offer industry leading noise levels as low as 21dBA and have a distinctively styled front panel that not only looks appealing, but also helps to make cleaning of the unit easier. To aid control and energy saving, the new universal controller has in built 7 day timeclock.

Key Features

- Swing Vane Mode with Auto Vane Shutter
- Wide Swing and Long Airflow Mode available on GF models only
- Infra-red remote controller
- Econo Cool - allows set temperature to be raised by 2°C without any loss of comfort and a 20% gain in energy efficiency
- Auto-Restart
- Quiet operation
- Auto-Changeover
- Hot Start - draught prevention
- Optional Anti-Allergy Enzyme filter - artificial enzymecatalyst on the filament catches allergens
- Nano Platinum filter (only with GF models) - incorporates nanometre sized platinum-ceramic particles that generate stable antibacterial and deodourising effects
- Quick clean design
- Replace Technology available
- I-Save - Recalls the preferred (preset) temperature via a single button
- The MSZ-GF60VE is compatible with City Multi when used in conjunction with PAC-LV11M LEV kit



Air Conditioning | Heating
Ventilation | Controls

Air Conditioning

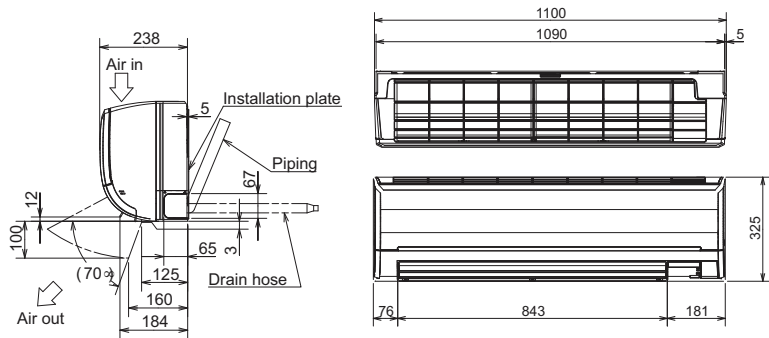
Product Information

MSZ-GF60VE Inverter Heat Pump Classic Wall Mounted System

Making a
World of
Difference

MSZ-GF - INDOOR UNIT		MSZ-GF60VE
CAPACITY (kW)	Heating (nominal)	6.8 (2.0-9.3)
	Cooling (nominal)	6.0 (1.4-7.5)
	Heating (UK)	5.65 (1.66-7.73)
	Cooling (UK)	5.95 (1.38-7.44)
SHF (nominal & UK)		0.79
COP / EER (nominal)		3.76 / 3.41
SCOP / SEER (BS EN14825)		4.3 / 6.8
ErP ENERGY EFFICIENCY CLASS Heating/Cooling		A+ / A++
AIRFLOW (l/s) Heating - Silent-Lo-Mid-Hi-Shi		163-188-223-260-305
	Cooling - Silent-Lo-Mid-Hi-Shi	163-188-223-260-305
PIPE SIZE mm (in)	Gas	15.88 (5/8")
	Liquid	6.35 (1/4")
SOUND PRESSURE LEVEL (dBA) Heating/Cooling - Silent-Lo-Mid-Hi-Shi		29-37-41-45-49 / 29-37-41-45-49
SOUND POWER LEVEL (dBA)		65
DIMENSIONS (mm) Width x Depth x Height		1100 x 238 x 325
WEIGHT (kg)		16
ELECTRICAL SUPPLY		Fed by Outdoor Unit
FUSE RATING (BS88) - HRC (A)		6
INTERCONNECTING CABLE No. CORES		4

DIMENSIONS



MUZ-GF - OUTDOOR UNIT		MUZ-GF60VE
SOUND PRESSURE LEVEL (dBA) Heating/Cooling		55 / 55
SOUND POWER LEVEL (dBA) Cooling		65
WEIGHT (kg)		50
DIMENSIONS (mm) Width x Depth x Height		840 x 330 x 880
ELECTRICAL SUPPLY		220-240v, 50Hz
PHASE		Single
SYSTEM POWER INPUT (kW) Heating/Cooling (nominal)		1.810 / 1.790
	Heating/Cooling (UK)	1.65 / 1.45
STARTING CURRENT (A)		8.0
SYSTEM RUNNING CURRENT (A) Heating/Cooling [MAX]		8.0 / 7.9 [14.5]
FUSE RATING (BS88) - HRC (A)		20
MAINS CABLE No. CORES		3
MAX PIPE LENGTH (m)		30
MAX HEIGHT DIFFERENCE (m)		15
CHARGE R410A (kg)		1.55 (10m)



Telephone: 01707 282880

email: air.conditioning@meuk.mee.com web: www.airconditioning.mitsubishielectric.co.uk

UNITED KINGDOM Mitsubishi Electric Europe Living Environmental Systems Division
Travellers Lane, Hatfield, Hertfordshire, AL10 8XB, England General Enquiries Telephone: 01707 282880 Fax: 01707 278881

IRELAND Mitsubishi Electric Europe Westgate Business Park, Ballymount, Dublin 24, Ireland
Telephone: Dublin (01) 419 8800 Fax: Dublin (01) 419 8890 International code: (003531)

Country of origin: United Kingdom - Japan - Thailand - Malaysia. ©Mitsubishi Electric Europe 2015. Mitsubishi and Mitsubishi Electric are trademarks of Mitsubishi Electric Europe B.V. The company reserves the right to make any variation in technical specification to the equipment described, or to withdraw or replace products without prior notification or public announcement. Mitsubishi Electric is constantly developing and improving its products. All descriptions, illustrations, drawings and specifications in this publication present only general particulars and shall not form part of any contract. All goods are supplied subject to the Company's General Conditions of Sale, a copy of which is available on request. Third-party product and brand names may be trademarks or registered trademarks of their respective owners.



Note: The fuse rating is for guidance only. Please refer to the relevant databook for detailed specification. It is the responsibility of a qualified electrician/electrical engineer to select the correct cable size and fuse rating based on current regulation and site specific conditions. Mitsubishi Electric's air conditioning and heat pump systems contain fluorinated greenhouse gases R410A, R407C and R134a.



www.greengateway.mitsubishielectric.co.uk

Mitsubishi Electric UK's commitment
to the environment

Follow us @meuk_Jes
Follow us @green_gateway

Mitsubishi Electric
Living Environmental Systems UK

mitsubishielectric2

Effective as of April 2015