

Air Conditioning

Product Information

MSZ-SF
Wall Mounted Indoor Unit +
PAC-LV11M LEV Kit Interface

Making a
World of
Difference

CITY MULTI



The **MSZ-SF** series has been completely redesigned and features the Nano Platinum filter system.

These models offer low noise levels and have a distinctively styled front panel that not only looks appealing, but also helps to make cleaning of the unit easier. To aid control and energy saving, the controller has an in built in 7 day timeclock.

Key Features

- Compact and stylish white design
- Hot start and econo cool features maintain a stable, comfortable environment
- Perfect for hotel applications due to its low visual impact, noise levels and size (15/20)



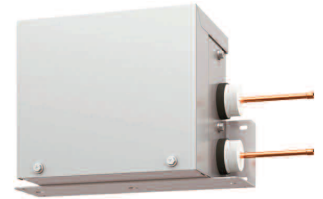
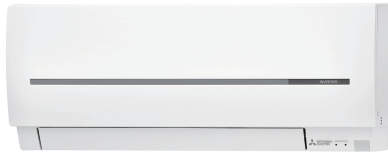
Cooling | Heating | Ventilation | Controls

Air Conditioning

Product Information

MSZ-SF
Wall Mounted Indoor Unit +
PAC-LV11M LEV Kit Interface

Making a
World of
Difference



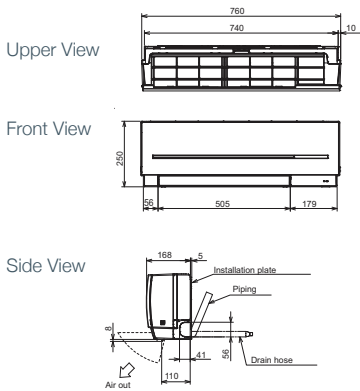
| INDOOR UNITS | | MSZ-SF15VA | MSZ-SF20VA | MSZ-SF25VE3 | MSZ-SF35VE3 | MSZ-SF50VE3 |
|----------------------------------|----------------------------|------------------|------------------|-------------------|-------------------|--------------------|
| CAPACITY (KW) | Heating (nominal) | 1.7 | 2.2 | 3.2 | 4.0 | 5.8 |
| | Cooling (nominal) | 1.5 | 2.0 | 2.5 | 3.5 | 5.0 |
| | Heating (UK) | - | - | 2.66 | 3.32 | 4.8 |
| | Cooling (UK) | - | - | 2.5 | 3.47 | 4.96 |
| POWER INPUT (kW) | Heating (nominal) | 0.017 | 0.019 | 0.024 | 0.027 | 0.035 |
| | Cooling (nominal) | 0.017 | 0.019 | 0.018 | 0.018 | 0.022 |
| AIRFLOW (l/s) | Heating (SLo-Lo-Mi-Hi-SHi) | 62-73-83-100-113 | 62-73-83-100-122 | 58-68-112-137-172 | 58-68-112-138-183 | 93-107-133-163-200 |
| | Cooling (SLo-Lo-Mi-Hi-SHi) | 58-65-77-92-107 | 58-65-77-92-115 | 58-68-92-120-152 | 58-68-93-120-152 | 93-103-117-137-165 |
| SOUND PRESSURE LEVEL (dBA) | Heating (SLo-Lo-Mi-Hi-SHi) | 21-26-30-35-40 | 21-26-30-35-42 | 19-24-34-39-45 | 19-24-34-40-46 | 28-33-38-43-49 |
| | Cooling (SLo-Lo-Mi-Hi-SHi) | 21-26-30-35-40 | 21-26-30-35-42 | 19-24-30-36-42 | 19-24-30-36-42 | 28-33-36-40-45 |
| WEIGHT (KG) | | 7.7 | 7.7 | 10 | 10 | 10 |
| DIMENSIONS (mm) | Width | 760 | 760 | 798 | 798 | 798 |
| | Depth | 168 | 168 | 195 | 195 | 195 |
| | Height | 250 | 250 | 299 | 299 | 299 |
| ELECTRICAL SUPPLY | | Fed by PAC-LV11M | Fed by PAC-LV11M | Fed by PAC-LV11M | Fed by PAC-LV11M | Fed by PAC-LV11M |
| RUNNING CURRENT (A) | Heating / Cooling | 0.17 / 0.17 | 0.19 / 0.19 | 0.20 / 0.16 | 0.22 / 0.16 | 0.27 / 0.18 |
| FUSE RATING (BS88) - HRC (A) | | 6 | 6 | 6 | 6 | 6 |
| INTERCONNECTING CABLES NO. CORES | | 3 | 3 | 3 | 3 | 3 |

| LEV KIT INTERFACE | | PAC-LV11M | | | | |
|------------------------------|------------------------|------------------------------|--|--|--|--|
| PIPE SIZE (mm) (in) | Gas / Liquid | - / 6.35 (1/4") | | | | |
| WEIGHT (kg) | | 3.5 | | | | |
| DIMENSIONS (mm) | Width x Depth x Height | 355 x 142 x 183 | | | | |
| ELECTRICAL SUPPLY | | 220-240v, 50Hz, Single Phase | | | | |
| FUSE RATING (BS88) - HRC (A) | | 6 | | | | |
| MAINS CABLE NO. CORES | | 3 | | | | |

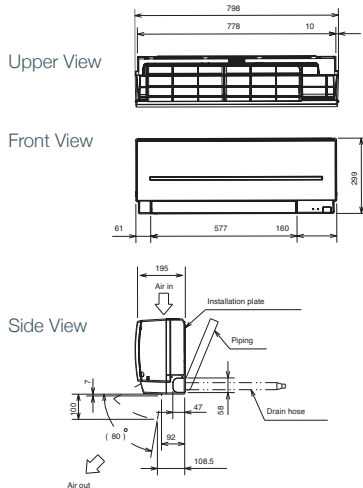
These indoor units cannot be grouped with other City Multi indoor units. Group control with other M Series indoor units + PAC-LV11M is possible via ME controller or system controller only. Group control is not possible via an MA controller, IT terminal or wireless remote controller. ME control functions energy management, charge apportioning, interlock and free contact are not available.

PRODUCT DIMENSIONS

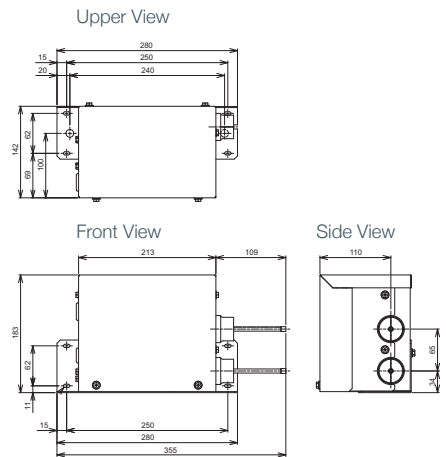
MSZ-SF15/20VA



MSZ-SF25/35/50VE3



PAC-LV11M



Telephone: 01707 282880
email: airconditioning@meuk.mee.com
web: airconditioning.mitsubishielectric.co.uk

UNITED KINGDOM Mitsubishi Electric Europe Living Environment Systems Division
Travellers Lane, Hatfield, Hertfordshire, AL10 8XB, England General Enquiries Telephone: 01707 282880 Fax: 01707 278881

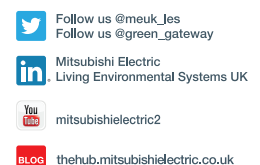
IRELAND Mitsubishi Electric Europe Westgate Business Park, Ballymount, Dublin 24, Ireland
Telephone: Dublin (01) 419 8800 Fax: Dublin (01) 419 8890 International code: (003531)

Country of origin: United Kingdom - Japan - Thailand - Malaysia. ©Mitsubishi Electric Europe 2017. Mitsubishi and Mitsubishi Electric are trademarks of Mitsubishi Electric Europe B.V. The company reserves the right to make any variation in technical specification to the equipment described, or to withdraw or replace products without prior notification or public announcement. Mitsubishi Electric is constantly developing and improving its products. All descriptions, illustrations, drawings and specifications in this publication present only general particulars and shall not form part of any contract. All goods are supplied subject to the Company's General Conditions of Sale, a copy of which is available on request. Third-party product and brand names may be trademarks or registered trademarks of their respective owners.

Note: The fuse rating is for guidance only. Please refer to the relevant databook for detailed specification. It is the responsibility of a qualified electrician/electrical engineer to select the correct cable size and fuse rating based on current regulation and site specific conditions. Mitsubishi Electric's air conditioning equipment and heat pump systems contain a fluorinated greenhouse gas, R410A (GWP:2088), R32 (GWP:675), R407C (GWP:1774) or R134a (GWP:1430). *These GWP values are based on Regulation (EU) No 517/2014 from IPCC 4th edition. In case of Regulation (EU) No.626/2011 from IPCC 3rd edition, these are as follows: R410A (GWP:1975), R32 (GWP: 550), R407C (GWP:1650) or R134a (GWP:1300).



www.greengateway.mitsubishielectric.co.uk
Mitsubishi Electric UK's commitment to the environment



Effective as of September 2017