

## OUTDOOR UNIT

# PARTS CATALOG

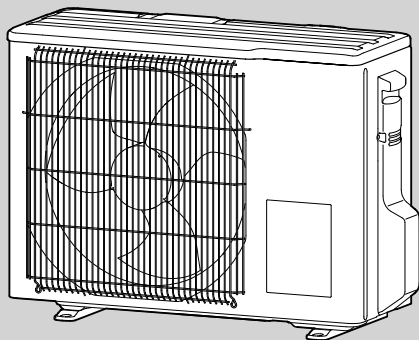


No. OBB751

### Models

**MUZ-DM25VA** - E1, ER1, ET1

**MUZ-DM35VA** - E1, ER1, ET1



### CONTENTS

1. RoHS PARTS LIST ..... 2

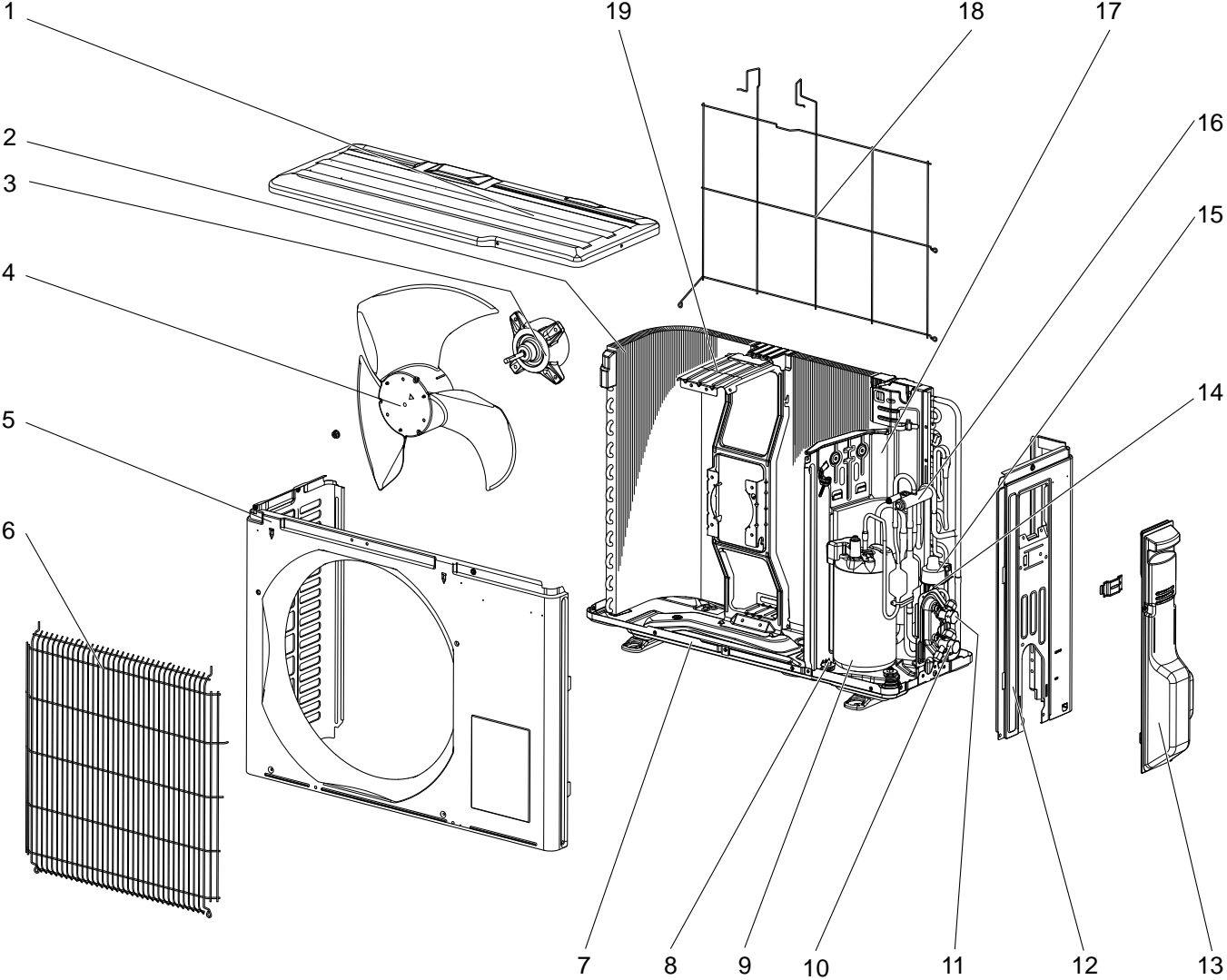
**SERVICE MANUAL (OBH751)**

**NOTE:**  
RoHS compliant products have <G> mark on the spec name plate.

# 1 RoHS PARTS LIST

MUZ-DM25VA MUZ-DM35VA

## 1-1. OUTDOOR UNIT STRUCTURAL PARTS AND FUNCTIONAL PARTS



# RoHS PARTS LIST

## 1-1. OUTDOOR UNIT STRUCTURAL PARTS AND FUNCTIONAL PARTS

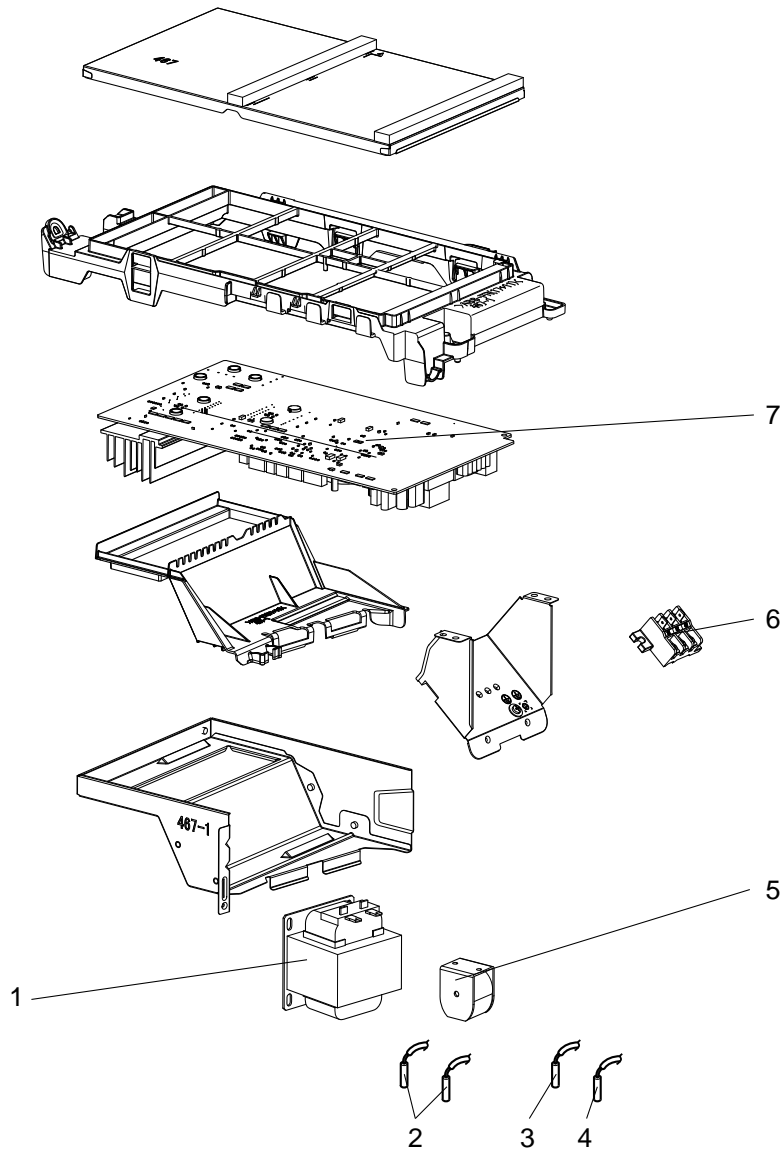
Part number that is circled is not shown in the illustration.

No.	RoHS	Part No.	Part Name	Symbol in Wiring Diagram	Q'ty/unit						Remarks
					MUZ-DM						
					25VA- E1	25VA- ER1	25VA- ET1	35VA- E1	35VA- ER1	35VA- ET1	
1	G	E12 J98 297	TOP PANEL		1	1	1	1	1	1	
2	G	E12 T39 630	OUTDOOR HEAT EXCHANGER		1	1	1	1	1	1	
3	G	E12 T39 301	OUTDOOR FAN MOTOR	MF	1	1	1	1	1	1	RC0J20-□□
4	G	E12 B72 501	PROPELLER FAN		1	1	1	1	1	1	
5	G	E12 N84 232	CABINET		1	1	1	1	1	1	
6	G	E12 J98 521	GRILLE		1	1	1	1	1	1	
7	G	E12 J98 290	BASE		1	1	1	1	1	1	
8	G	E12 065 506	COMPRESSOR RUBBER SET		3	3	3	3	3	3	3 RUBBERS/SET
9	G	E12 T39 900	COMPRESSOR	MC	1	1	1				KNB065FUBMC
	G	E12 T40 900						1	1	1	KNB073FUXMC
10	G	E12 J98 661	STOP VALVE (GAS)		1	1	1	1	1	1	ø9.52
11	G	E12 J98 662	STOP VALVE (LIQUID)		1	1	1	1	1	1	ø6.35
12	G	E12 J98 233	BACK PANEL		1	1	1	1	1	1	
13	G	E12 J98 245	SERVICE PANEL		1	1	1	1	1	1	
14	G	E12 J99 640	EXPANSION VALVE		1	1	1	1	1	1	
15	G	E12 T40 493	EXPANSION VALVE COIL	LEV	1	1	1	1	1	1	
16	G	E12 D65 961	4-WAY VALVE		1	1	1	1	1	1	
17	G	E12 T39 293	SEPARATOR		1	1	1	1	1	1	
18	G	E12 J98 525	CONDENSER WIRE NET		1	1	1	1	1	1	
19	G	E12 T39 515	MOTOR SUPPORT		1	1	1	1	1	1	
⑳	G	E12 J98 936	CAPILLARY TUBE		1	1	1	1	1	1	ø3.0 x ø1.4 x 260

# RoHS PARTS LIST

MUZ-DM25VA MUZ-DM35VA

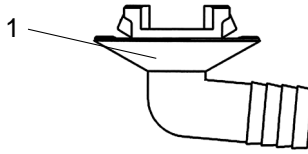
## 1-2. OUTDOOR UNIT ELECTRICAL PARTS



No.	RoHS	Part No.	Part Name	Symbol in Wiring Diagram	Q'ty/unit						Remarks
					MUZ-DM						
					25VA- E1	25VA- ER1	25VA- ET1	35VA- E1	35VA- ER1	35VA- ET1	
1	G	E12 G10 337	REACTOR	L61	1	1	1	1	1	1	
2	G	E12 J98 306	THERMISTOR SET	RT61, RT62	1	1	1	1	1	1	DEFROST, DISCHARGE
3	G	E12 T39 307	OUTDOOR HEAT EXCHANGER THERMISTOR	RT68	1	1	1	1	1	1	
4	G	E12 T39 309	AMBIENT TEMPERATURE THERMISTOR	RT65	1	1	1	1	1	1	
5	G	E12 J98 490	R.V. COIL	21S4	1	1	1	1	1	1	
6	G	E12 T39 374	TERMINAL BLOCK	TB	1	1	1	1	1	1	3 P
7	G	E12 T39 451	INVERTER P.C. BOARD		1	1	1				Including heat sink and RT64
	G	E12 T40 451						1	1	1	

# RoHS PARTS LIST

MUZ-DM25VA MUZ-DM35VA  
 1-3. DRAIN SOCKET



No.	RoHS	Part No.	Part Name	Symbol in Wiring Diagram	Q'ty/unit						Remarks
					MUZ-DM						
					25VA- E1	25VA- ER1	25VA- ET1	35VA- E1	35VA- ER1	35VA- ET1	
1	G	E12 817 704	DRAIN SOCKET		1	1	1	1	1	1	

# **MITSUBISHI ELECTRIC CORPORATION**

HEAD OFFICE: TOKYO BLDG., 2-7-3, MARUNOUCHI, CHIYODA-KU, TOKYO 100-8310, JAPAN

© Copyright 2015 MITSUBISHI ELECTRIC CORPORATION  
Distributed in Dec. 2015. No. OBB751  
Made in Japan

New publication, effective Dec. 2015  
Specifications are subject to change without notice.