



# PCA-RP71HA

## Power Inverter Heat Pump

### R410A Stainless Steel Ceiling Suspended System

The PCA-RP-HA series is a ceiling suspended unit ideal for use in kitchen environments. The external casing is made of durable stainless steel that is resistant to oil and smoke, ensuring that the unit can be easily cleaned at all times.

Advanced inverter technology makes the Mr Slim Power Inverter the number one choice for improving comfort. They provide energy savings of up to 70% annually when compared to a previous non-inverter model. Operating noise has also been reduced thanks to improvements in fan design, while existing pipe work is reusable for easier maintenance and installation.

- **High performance oil mist filter**
- **Easy maintenance - fan casing can be separated into different sections allowing easy cleaning. The drain pan can also be cleaned easily on-site as the pipe connector can be quickly removed**
- **Optional decoration covers**



Pictures not to scale

## Product Details

### PCA-RP71HA Indoor Unit

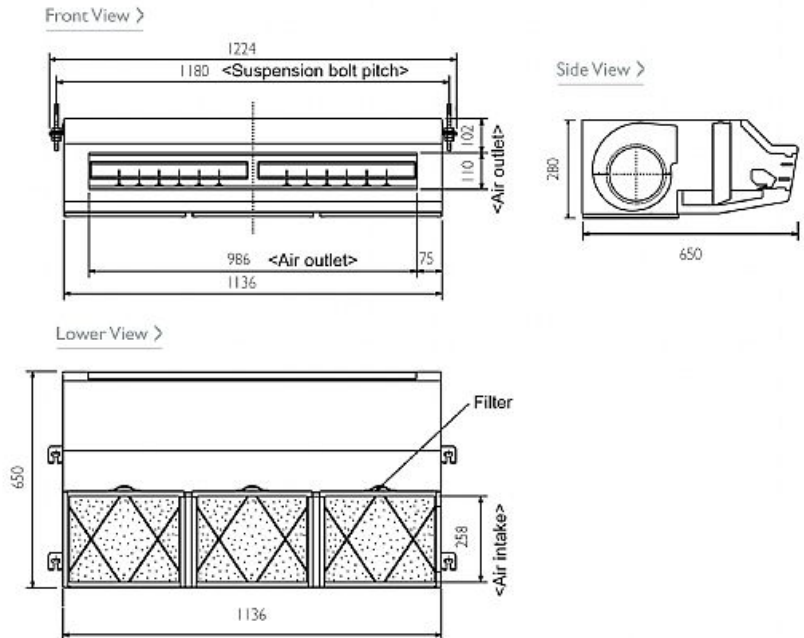
Capacity (kW):	
Heating (Nominal) (Low - High)	7.60 (3.50 - 10.20)
Cooling (Nominal) (Low - High)	7.10 (3.30 - 8.10)
Heating (UK) (Low - High)	6.45 (3.00 - 8.65)
Cooling (UK) (Low - High)	6.40 (2.95 - 7.30)
SHF R410A (Nominal)	0.74
COP / EER (Nominal)	3.41 / 3.21
Energy Label Heating / Cooling	B / A
Width - mm	1136
Depth - mm	650
Height - mm	280
Weight - kg	41
Airflow (m <sup>3</sup> /min) - Lo-Hi	17-19
Noise (dBA) - Lo-Hi	34-38
Pipe Size Gas mm (in)	15.88 (5/8)
Pipe Size Liquid mm (in)	9.52 (3/8)
Electrical Supply	Fed by Outdoor Unit
Phase	Single
Fuse Rating (BS88) - HRC (A)	6
Interconnecting Cable No. Cores	4
Remote Controller Ref	PAR-21MAA

### PUHZ-RP71VHA2 Outdoor Unit

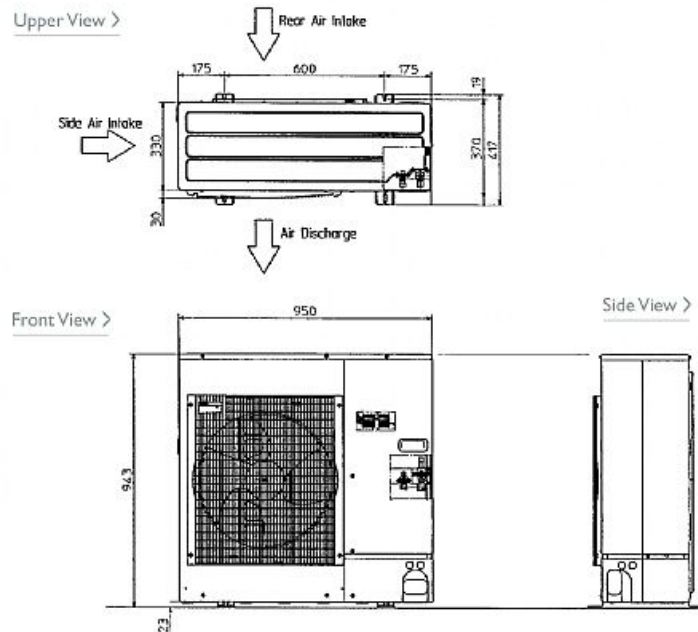
Width - mm	950
Depth - mm	330 + 30
Height - mm	943
Weight - kg	75
Noise (dBA) (Heating / Cooling)	48 / 47
Electrical Supply	220-240v, 50Hz
Phase	Single
Fuse Rating (BS88) - HRC (A)	25
System Power Input (kW) - Heating (Nominal)	2.23
System Power Input (kW) - Cooling (Nominal)	2.21
System Power Input (kW) - Heating (UK)	1.98
System Power Input (kW) - Cooling (UK)	1.88
Starting Current (A)	5
System Running Current (A) - Heating / Cooling	10.17 / 8.47
Mains Cable No. Cores	3
Max Pipe Length (m)	50
Max Height Difference (m)	30
Charge (kg) - 30m	3.5

## Dimensions

### PCA-RP71HA



### PUHZ-RP71VHA2



Telephone: 01707 282880

Email: [air.conditioning@meuk.mee.com](mailto:air.conditioning@meuk.mee.com) Website: <http://www.mitsubishielectric.co.uk/aircon>

Tel:  
Fax:



Mitsubishi Electric reserves the right to make any variation in technical specification to the equipment described, or to withdraw or replace products without prior notification or public announcement.