



## PCA-RP60GA

Standard Inverter Heat Pump

R410A Ceiling Suspended System

The new Standard Inverter range provides inverter solutions for customers who want all the benefits that inverters offer, but do not have the budget available for the more expensive Power Inverter range.

- **Indoor unit designed for direct ceiling suspension**
- **Flush to wall installation for concealment of service connections**
- **Electronic control includes learning defrost, fault finding diagnostics, low ambient fan speed control and anti-phase/single phase protection**



Pictures not to scale

## Product Details

### PCA-RP60GA Indoor Unit

Capacity (kW):	
Heating (Nominal) (Low - High)	6.90 (0.90 - 8.00)
Cooling (Nominal) (Low - High)	5.50 (1.10 - 6.30)
Heating (UK) (Low - High)	5.75 (0.75 - 6.65)
Cooling (UK) (Low - High)	5.45 (1.10 - 6.25)
SHF R410A (Nominal)	0.79
COP / EER (Nominal)	3.37 / 2.86
Energy Label Heating / Cooling	C / C
Width - mm	1310
Depth - mm	680
Height - mm	210
Weight - kg	34
Airflow (m <sup>3</sup> /min) - Lo-Mi1-Mi2-Hi	14-15-16-18
Noise (dBA) - Lo-Mi1-Mi2-Hi	37-39-41-43
Pipe Size Gas mm (in)	15.88 (5/8)
Pipe Size Liquid mm (in)	6.35 (1/4)
Electrical Supply	Fed by Outdoor Unit
Phase	Single
Fuse Rating (BS88) - HRC (A)	6
Interconnecting Cable No. Cores	4
Remote Controller Ref	PAR-21MAA

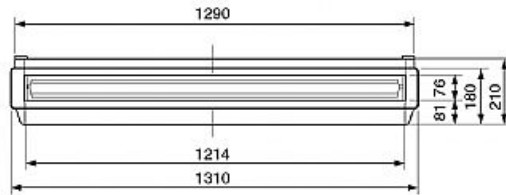
### SUZ-KA60VA Outdoor Unit

Width - mm	840
Depth - mm	330
Height - mm	850
Weight - kg	53
Noise (dBA) (Heating /Cooling) - Lo-Hi	53-55 /51-53
Electrical Supply	220-240v, 50Hz
Phase	Single
Fuse Rating (BS88) - HRC (A)	25
SystemPower Input (kW) - Heating (Nominal)	2.05
SystemPower Input (kW) - Cooling (Nominal)	1.92
SystemPower Input (kW) - Heating (UK)	1.87
SystemPower Input (kW) - Cooling (UK)	1.54
Starting Current (A)	9.75
SystemRunning Current (A) - Heating / Cooling	10.28 / 8.88
Mains Cable No. Cores	3
Max Pipe Length (m)	30
Max Height Difference (m)	30
Charge (kg) - 7m	1.8

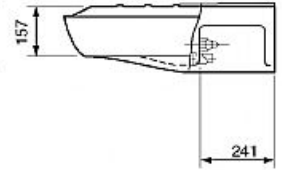
## Dimensions

### PCA-RP60GA

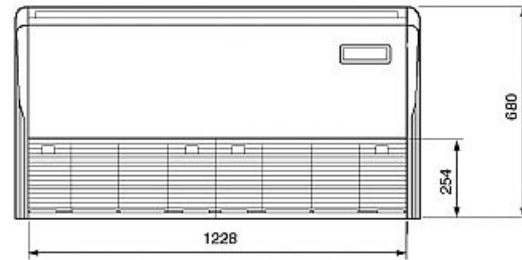
Front View >



Side View >

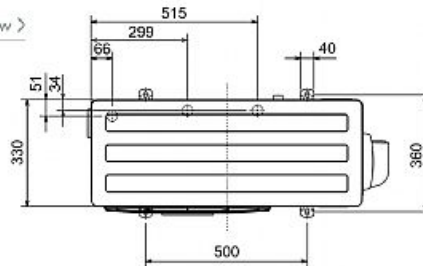


Lower View >

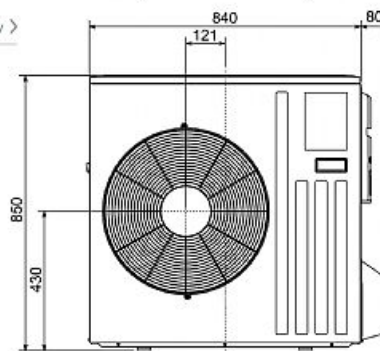


### SUZ-KA60VA

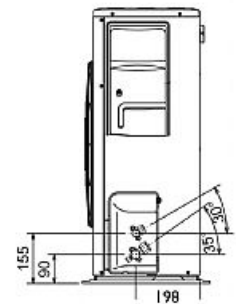
Upper View >



Front View >



Side View >



Telephone: 01707 282880

Email: [air.conditioning@meuk.mee.com](mailto:air.conditioning@meuk.mee.com) Website: <http://www.mitsubishielectric.co.uk/aircon>

Tel:  
Fax:



Mitsubishi Electric reserves the right to make any variation in technical specification to the equipment described, or to withdraw or replace products without prior notification or public announcement.