

PARTS CATALOG

Series PCA Ceiling Suspended R410A

 Indoor unit
 [Model names]

[Service Ref.]

PCA-RP35KAQ

PCA-RP35KAQ

PCA-RP50KAQ

PCA-RP50KAQ
PCA-RP50KAQR1

PCA-RP60KAQ

PCA-RP60KAQ
PCA-RP60KAQR1

PCA-RP71KAQ

PCA-RP71KAQ
PCA-RP71KAQR1

PCA-RP100KAQ

PCA-RP100KAQ

PCA-RP125KAQ

PCA-RP125KAQ

PCA-RP140KAQ

PCA-RP140KAQ

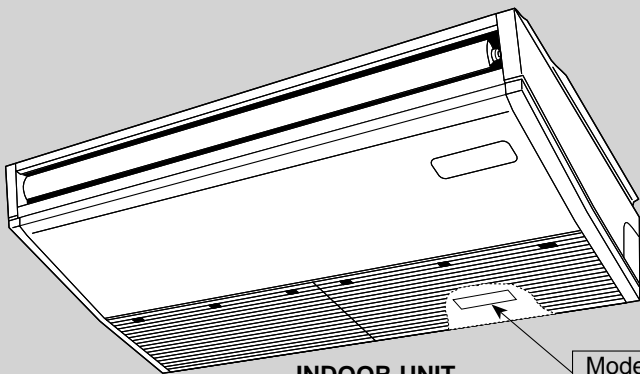
Revision:

- PCA-RP35KAQ and PCA-RP50/60/71KAQR1 have been added in REVISED EDITION-A.
- Some descriptions have been modified.

- Please void OCH491.

NOTE:

- RoHS compliant products have <G> mark on the spec name plate.



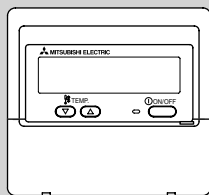
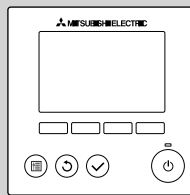
INDOOR UNIT

Model name indication

CONTENTS

1. RoHS PARTS LIST2

SERVICE MANUAL (OCH491)

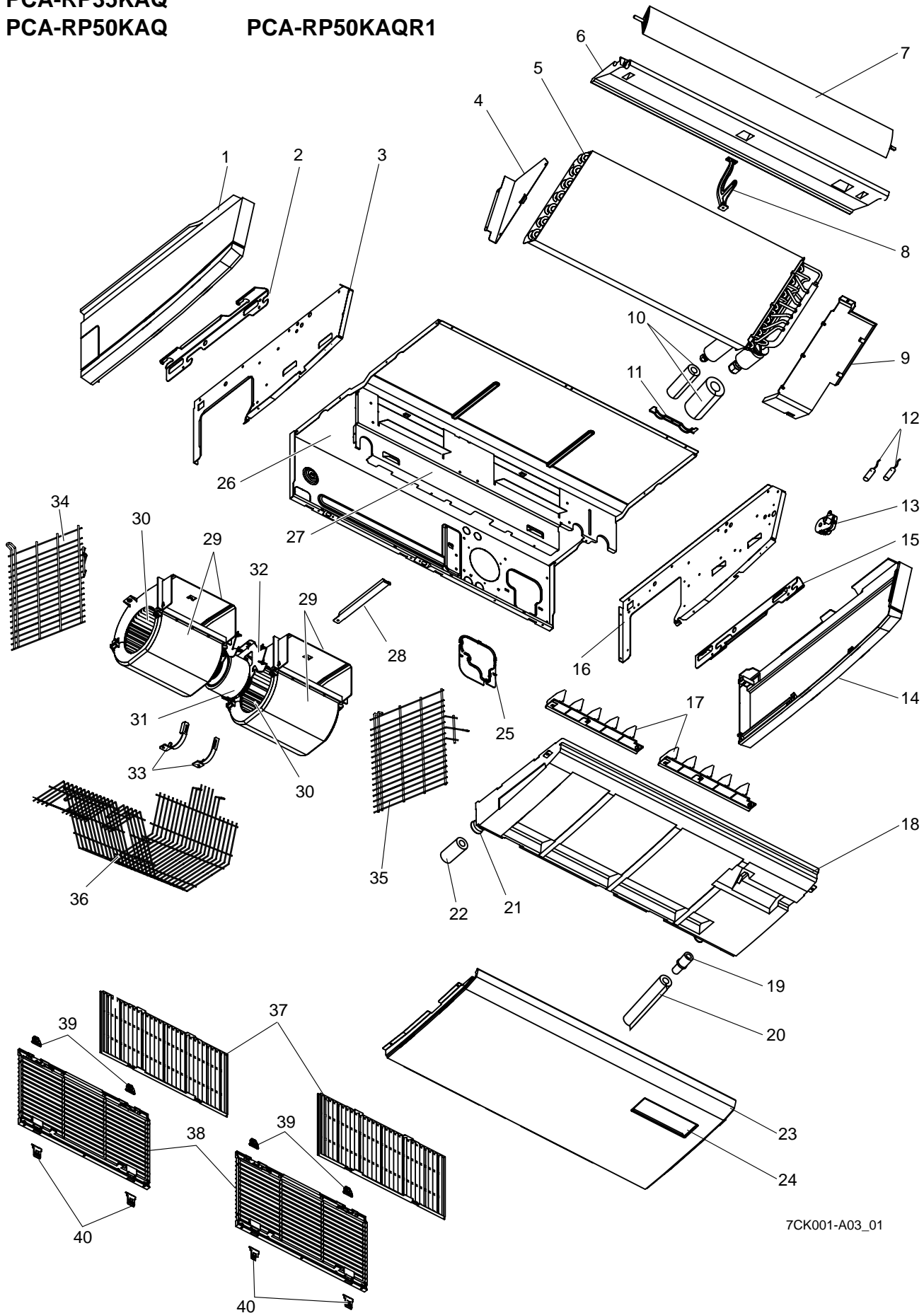
 WIRELESS REMOTE
 CONTROLLER
 (Option)

 WIRED REMOTE
 CONTROLLER
 (Option)


STRUCTURAL AND FUNCTIONAL PARTS

PCA-RP35KAQ

PCA-RP50KAQ

PCA-RP50KAQR1



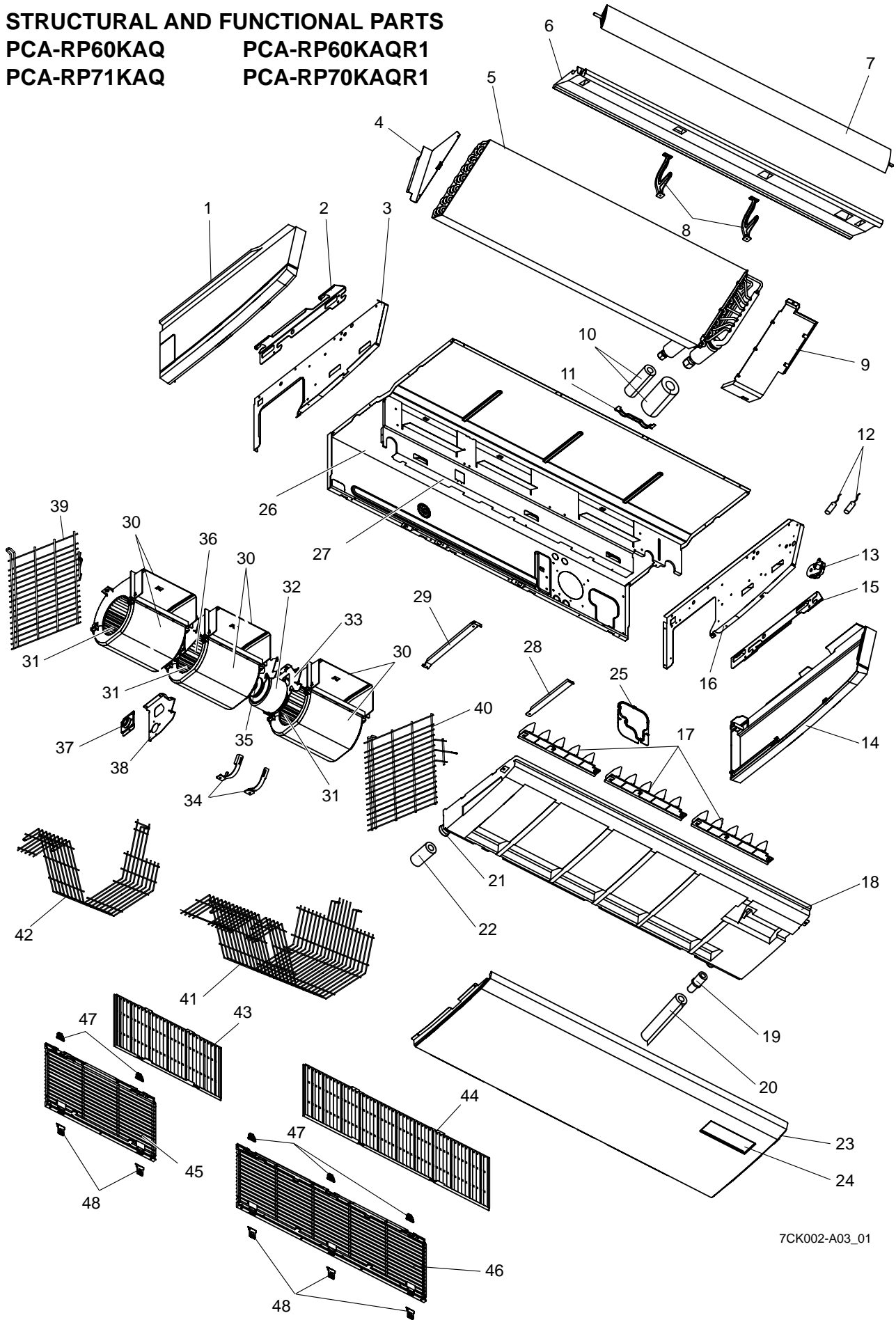
7CK001-A03_01

RoHS PARTS LIST

| No. | RoHS | Part No. | Part Name | Specification | Q'ty/set | | | Remarks (Drawing No.) | Wiring Diagram Symbol | Recom- mended Q'ty |
|-----|------|-------------|--------------------|-------------------------|------------|----|------|--------------------------|-----------------------------|--------------------------|
| | | | | | PCA-RP-KAQ | | | | | |
| | | | | | 35 | 50 | 50R1 | | | |
| 1 | G | R01 E26 662 | SIDE PANEL-L | | 1 | 1 | 1 | WITH HANGER | | |
| 2 | G | R01 E06 809 | LEG-L | | 1 | 1 | 1 | | | |
| 3 | G | R01 E02 666 | SIDE PLATE-L | | 1 | 1 | 1 | WITH LEG-L | | |
| 4 | G | R01 E05 615 | COIL SUPPORT-H | | 1 | 1 | 1 | | | |
| 5 | G | R01 N48 480 | HEAT EXCHANGER | | 1 | | | | | |
| | G | T7W N06 480 | HEAT EXCHANGER | | | 1 | 1 | | | |
| 6 | G | R01 E12 651 | FRONT PANEL | | 1 | 1 | 1 | | | |
| 7 | G | R01 E28 002 | AUTO VANE | | 1 | 1 | 1 | | | |
| 8 | G | R01 E04 033 | VANE SUPPORT | | 1 | 1 | 1 | | | |
| 9 | G | R01 E04 615 | COIL SUPPORT | | 1 | 1 | 1 | | | |
| 10 | G | R01 E04 660 | PIPE COVER | | 1 | 1 | 1 | | | |
| 11 | G | R01 E02 126 | PIPE BAND | | 1 | 1 | 1 | | | |
| 12 | G | T7W E61 202 | THERMISTOR (PIPE) | | 1 | 1 | 1 | | TH2/TH5 | |
| 13 | G | R01 E25 223 | VANE MOTOR ASSY | | 1 | 1 | 1 | | MV | |
| 14 | G | R01 E45 661 | SIDE PANEL-R | | 1 | 1 | 1 | WITH HANGER | | |
| 15 | G | R01 E06 808 | LEG-R | | 1 | 1 | 1 | | | |
| 16 | G | R01 E02 665 | SIDE PLATE-R | | 1 | 1 | 1 | WITH LEG-R | | |
| 17 | G | R01 E03 085 | GUIDE VANE | | 2 | 2 | 2 | | | |
| 18 | G | R01 E42 529 | DRAIN PAN | | 1 | 1 | 1 | | | |
| 19 | G | R01 18J 523 | JOINT SOCKET | | 1 | 1 | 1 | VP20 | | |
| 20 | G | R01 18J 072 | DRAIN HOSE COVER | | 1 | 1 | 1 | | | |
| 21 | G | R01 18J 524 | DRAIN PLUG | | 1 | 1 | 1 | | | |
| 22 | G | R01 E03 660 | DRAIN SOCKET COVER | | 1 | 1 | 1 | | | |
| 23 | G | R01 E03 669 | UNDER PANEL | | 1 | 1 | 1 | | | |
| 24 | G | T7W E04 070 | BRAND PLATE | | 1 | 1 | 1 | | | |
| 25 | G | R01 E00 053 | PIPE HOLE COVER | | 1 | 1 | 1 | | | |
| 26 | G | - | BASE | Including REAR PANEL | 1 | 1 | 1 | (RG00V682G57) | | |
| 27 | G | - | FAN PLATE | | 1 | 1 | 1 | (RG00V683G66) | | |
| 28 | G | - | BEAM | | 1 | 1 | 1 | (RG00D440G02) | | |
| 29 | G | R01 20J 110 | CASING | | 2 | 2 | 2 | TOP & UNDER | | |
| 30 | G | R01 E40 114 | SIROCCO FAN | | 2 | 2 | 2 | BOSS ϕ 12 | | |
| 31 | G | T7W E38 762 | FAN MOTOR | | 1 | 1 | 1 | | MF | |
| 32 | G | T7W E16 130 | MOTOR LEG | | 1 | 1 | 1 | | | |
| 33 | G | T7W E02 126 | PIECE (MOTOR) R.L | | 1 | 1 | 1 | LEFT & RIGHT | | |
| 34 | G | T7W E20 675 | FAN GUARD-L | | 1 | 1 | 1 | | | |
| 35 | G | T7W E21 675 | FAN GUARD-R | | 1 | 1 | 1 | | | |
| 36 | G | T7W E22 675 | FAN GUARD | | 1 | 1 | 1 | FOR MF | | |
| 37 | G | R01 E24 500 | AIR FILTER (SMALL) | | 2 | 2 | 2 | | | |
| 38 | G | R01 E54 691 | GRILLE (SMALL) | | 2 | 2 | 2 | WITH HANGER | | |
| 39 | G | R01 E04 061 | GRILLE HINGE | | 4 | 4 | 4 | | | |
| 40 | G | R01 E11 054 | GRILLE CATCH | | 4 | 4 | 4 | | | |

RoHS PARTS LIST

STRUCTURAL AND FUNCTIONAL PARTS
PCA-RP60KAQ PCA-RP60KAQR1
PCA-RP71KAQ PCA-RP70KAQR1



7CK002-A03_01

RoHS PARTS LIST

| No. | RoHS | Part No. | Part Name | Specification | Q'ty/set | | | | Remarks (Drawing No.) | Wiring Diagram Symbol | Recom- mended Q'ty |
|-----|------|-------------|--------------------|----------------------|------------|----|------|------|--------------------------|-----------------------------|--------------------------|
| | | | | | PCA-RP-KAQ | | | | | | |
| | | | | | 60 | 71 | 60R1 | 71R1 | | | |
| 1 | G | R01 E26 662 | SIDE PANEL-L | | 1 | 1 | 1 | 1 | WITH HANGER | | |
| 2 | G | R01 E06 809 | LEG-L | | 1 | 1 | 1 | 1 | | | |
| 3 | G | R01 E02 666 | SIDE PLATE-L | | 1 | 1 | 1 | 1 | WITH LEG-L | | |
| 4 | G | R01 E05 615 | COIL SUPPORT-H | | 1 | 1 | 1 | 1 | | | |
| 5 | G | T7W N07 480 | HEAT EXCHANGER | | 1 | | 1 | | | | |
| | G | R01 N50 480 | HEAT EXCHANGER | | | 1 | | 1 | | | |
| 6 | G | R01 E13 651 | FRONT PANEL | | 1 | 1 | 1 | 1 | | | |
| 7 | G | R01 E29 002 | AUTO VANE | | 1 | 1 | 1 | 1 | | | |
| 8 | G | R01 E04 033 | VANE SUPPORT | | 2 | 2 | 2 | 2 | | | |
| 9 | G | R01 E04 615 | COIL SUPPORT | | 1 | 1 | 1 | 1 | | | |
| 10 | G | R01 E04 660 | PIPE COVER | | 1 | 1 | 1 | 1 | | | |
| 11 | G | R01 E02 126 | PIPE BAND | | 1 | 1 | 1 | 1 | | | |
| 12 | G | T7W E61 202 | THERMISTOR (PIPE) | | 1 | 1 | 1 | 1 | | TH2/TH5 | |
| 13 | G | R01 E25 223 | VANE MOTOR ASSY | | 1 | 1 | 1 | 1 | | MV | |
| 14 | G | R01 E45 661 | SIDE PANEL-R | | 1 | 1 | 1 | 1 | WITH HANGER | | |
| 15 | G | R01 E06 808 | LEG-R | | 1 | 1 | 1 | 1 | | | |
| 16 | G | R01 E02 665 | SIDE PLATE-R | | 1 | 1 | 1 | 1 | WITH LEG-R | | |
| 17 | G | R01 E03 085 | GUIDE VANE | | 3 | 3 | 3 | 3 | | | |
| 18 | G | R01 E43 529 | DRAIN PAN | | 1 | 1 | 1 | 1 | | | |
| 19 | G | R01 18J 523 | JOINT SOCKET | | 1 | 1 | 1 | 1 | VP20 | | |
| 20 | G | R01 18J 072 | DRAIN HOSE COVER | | 1 | 1 | 1 | 1 | | | |
| 21 | G | R01 18J 524 | DRAIN PLUG | | 1 | 1 | 1 | 1 | | | |
| 22 | G | R01 E03 660 | DRAIN SOCKET COVER | | 1 | 1 | 1 | 1 | | | |
| 23 | G | R01 E04 669 | UNDER PANEL | | 1 | 1 | 1 | 1 | | | |
| 24 | G | T7W E04 070 | BRAND PLATE | | 1 | 1 | 1 | 1 | | | |
| 25 | G | R01 E00 053 | PIPE HOLE COVER | | 1 | 1 | 1 | 1 | | | |
| 26 | G | - | BASE | Including REAR PANEL | 1 | 1 | 1 | 1 | (RG00V682G58) | | |
| 27 | G | - | FAN PLATE | | 1 | 1 | 1 | 1 | (RG00V683G67) | | |
| 28 | G | - | BEAM | | 1 | 1 | 1 | 1 | (RG00D440G02) | | |
| 29 | G | - | BEAM | | 1 | 1 | 1 | 1 | (BH02G431G10) | | |
| 30 | G | R01 20J 110 | CASING | | 3 | 3 | 3 | 3 | TOP & UNDER | | |
| 31 | G | R01 E40 114 | SIROCCO FAN | | 3 | 3 | 3 | 3 | BOSS ϕ 12 | | |
| 32 | G | T7W E39 762 | FAN MOTOR | | 1 | 1 | 1 | 1 | | MF | |
| 33 | G | T7W E16 130 | MOTOR LEG | | 1 | 1 | 1 | 1 | | | |
| 34 | G | T7W E02 126 | PIECE(MOTOR) R.L | | 1 | 1 | 1 | 1 | LEFT & RIGHT | | |
| 35 | G | R01 E00 116 | JOINT (SHAFT) | | 1 | 1 | 1 | 1 | | | |
| 36 | G | R01 31J 100 | SHAFT | | 1 | 1 | 1 | 1 | | | |
| 37 | G | R01 E05 103 | BEARING | | 1 | 1 | 1 | 1 | OIL SET | | |
| 38 | G | R01 E00 145 | BEARING SUPPORT | | 1 | 1 | 1 | 1 | | | |
| 39 | G | T7W E20 675 | FAN GUARD-L | | 1 | 1 | 1 | 1 | | | |
| 40 | G | T7W E21 675 | FAN GUARD-R | | 1 | 1 | 1 | 1 | | | |
| 41 | G | T7W E23 675 | FAN GUARD | | 1 | 1 | 1 | 1 | FOR MF | | |
| 42 | G | T7W E24 675 | FAN GUARD | | 1 | 1 | 1 | 1 | | | |
| 43 | G | R01 E24 500 | AIR FILTER (SMALL) | | 1 | 1 | 1 | 1 | | | |
| 44 | G | R01 E25 500 | AIR FILTER (LARGE) | | 1 | 1 | 1 | 1 | | | |
| 45 | G | R01 E54 691 | GRILLE (SMALL) | | 1 | 1 | 1 | 1 | WITH HANGER | | |
| 46 | G | R01 E55 691 | GRILLE (LARGE) | | 1 | 1 | 1 | 1 | WITH HANGER | | |
| 47 | G | R01 E04 061 | GRILLE HINGE | | 5 | 5 | 5 | 5 | | | |
| 48 | G | R01 E11 054 | GRILLE CATCH | | 5 | 5 | 5 | 5 | | | |

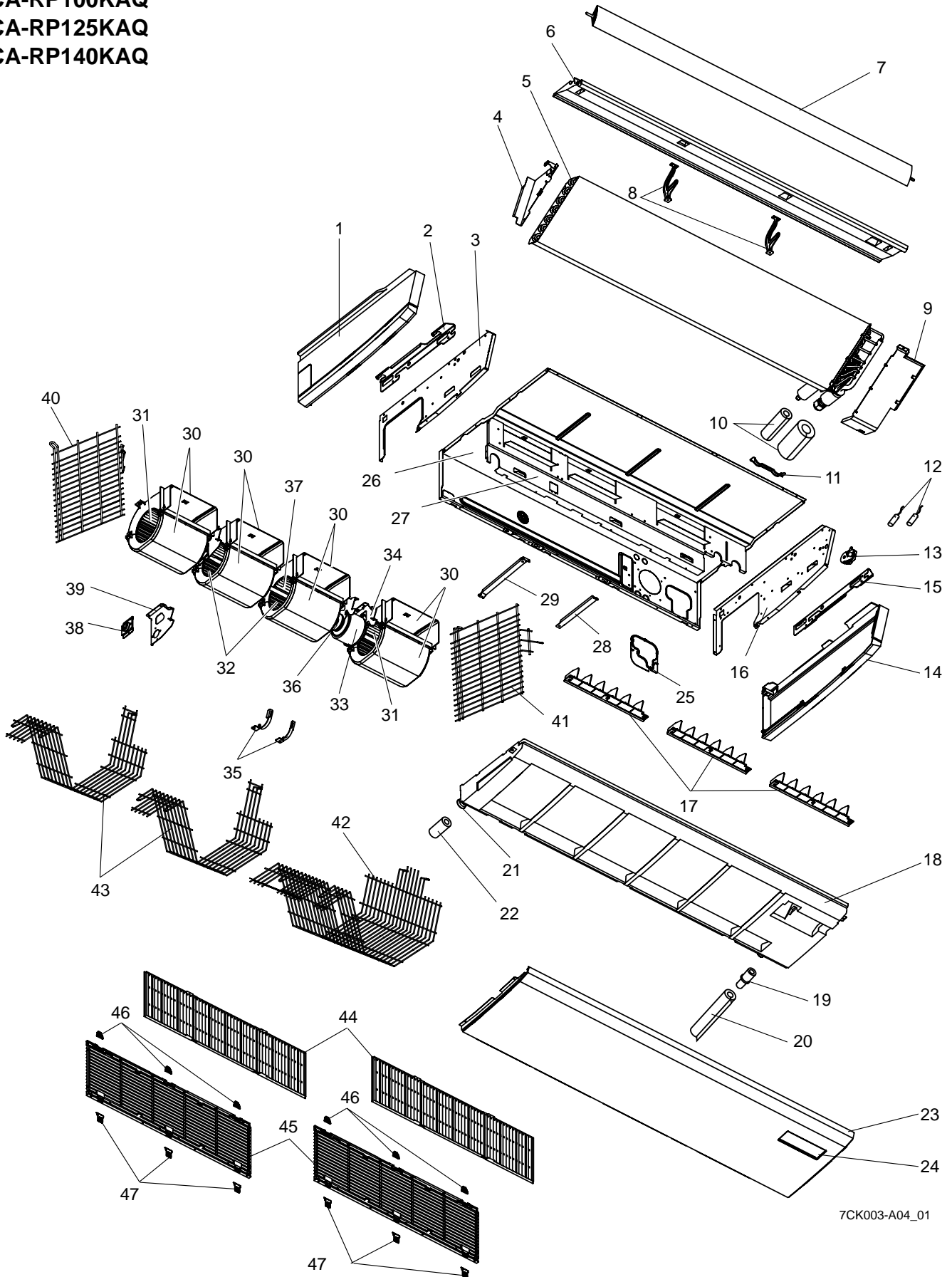
RoHS PARTS LIST

STRUCTURAL AND FUNCTIONAL PARTS

PCA-RP100KAQ

PCA-RP125KAQ

PCA-RP140KAQ



7CK003-A04_01

RoHS PARTS LIST

| No. | RoHS | Part No. | Part Name | Specification | Q'ty/set | | | Remarks (Drawing No.) | Wiring Diagram Symbol | Recom- mended Q'ty |
|-----|------|-------------|--------------------|----------------------|------------|-----|-----|--------------------------|-----------------------------|--------------------------|
| | | | | | PCA-RP-KAQ | | | | | |
| | | | | | 100 | 125 | 140 | | | |
| 1 | G | R01 E26 662 | SIDE PANEL-L | | 1 | 1 | 1 | WITH HANGER | | |
| 2 | G | R01 E06 809 | LEG-L | | 1 | 1 | 1 | | | |
| 3 | G | R01 E02 666 | SIDE PLATE-L | | 1 | 1 | 1 | WITH LEG-L | | |
| 4 | G | R01 E08 615 | COIL SUPPORT-H | | 1 | 1 | | | | |
| | G | R01 E09 615 | COIL SUPPORT-H | | | | 1 | | | |
| 5 | G | R01 N51 480 | HEAT EXCHANGER | | 1 | | | | | |
| | G | R01 N52 480 | HEAT EXCHANGER | | | 1 | | | | |
| | G | R01 N53 480 | HEAT EXCHANGER | | | | 1 | | | |
| 6 | G | R01 E14 651 | FRONT PANEL | | 1 | 1 | 1 | | | |
| 7 | G | R01 E30 002 | AUTO VANE | | 1 | 1 | 1 | | | |
| 8 | G | R01 E04 033 | VANE SUPPORT | | 2 | 2 | 2 | | | |
| 9 | G | R01 E04 615 | COIL SUPPORT | | 1 | 1 | 1 | | | |
| 10 | G | R01 E04 660 | PIPE COVER | | 1 | 1 | 1 | | | |
| 11 | G | R01 E02 126 | PIPE BAND | | 1 | 1 | 1 | | | |
| 12 | G | T7W E61 202 | THERMISTOR (PIPE) | | 1 | 1 | 1 | | TH2/TH5 | |
| 13 | G | R01 E25 223 | VANE MOTOR ASSY | | 1 | 1 | 1 | | MV | |
| 14 | G | R01 E45 661 | SIDE PANEL-R | | 1 | 1 | 1 | WITH HANGER | | |
| 15 | G | R01 E06 808 | LEG-R | | 1 | 1 | 1 | | | |
| 16 | G | R01 E02 665 | SIDE PLATE-R | | 1 | 1 | 1 | WITH LEG-R | | |
| 17 | G | R01 E04 085 | GUIDE VANE | | 3 | 3 | 3 | | | |
| 18 | G | R01 E44 529 | DRAIN PAN | | 1 | 1 | 1 | | | |
| 19 | G | R01 18J 523 | JOINT SOCKET | | 1 | 1 | 1 | VP20 | | |
| 20 | G | R01 18J 072 | DRAIN HOSE COVER | | 1 | 1 | 1 | | | |
| 21 | G | R01 18J 524 | DRAIN PLUG | | 1 | 1 | 1 | | | |
| 22 | G | R01 E03 660 | DRAIN SOCKET COVER | | 1 | 1 | 1 | | | |
| 23 | G | R01 E05 669 | UNDER PANEL | | 1 | 1 | 1 | | | |
| 24 | G | T7W E04 070 | BRAND PLATE | | 1 | 1 | 1 | | | |
| 25 | G | R01 E00 053 | PIPE HOLE COVER | | 1 | 1 | 1 | | | |
| 26 | G | - | BASE | Including REAR PANEL | 1 | 1 | 1 | (RG00V682G61) | | |
| 27 | G | - | FAN PLATE | | 1 | 1 | 1 | (RG00V683G70) | | |
| 28 | G | - | BEAM | | 1 | 1 | 1 | (RG00D440G02) | | |
| 29 | G | - | BEAM | | 1 | 1 | 1 | (BH02G431G10) | | |
| 30 | G | R01 20J 110 | CASING | | 4 | 4 | 4 | TOP & UNDER | | |
| 31 | G | R01 E40 114 | SIROCCO FAN | | 2 | 2 | 2 | BOSS ϕ 12 | | |
| 32 | G | R01 E41 114 | SIROCCO FAN | | 2 | 2 | 2 | BOSS ϕ 15 | | |
| 33 | G | T7W E40 762 | FAN MOTOR | | 1 | 1 | 1 | | MF | |
| 34 | G | T7W E16 130 | MOTOR LEG | | 1 | 1 | 1 | | | |
| 35 | G | T7W E02 126 | PIECE (MOTOR) R.L | | 1 | 1 | 1 | LEFT & RIGHT | | |
| 36 | G | R01 E00 116 | JOINT (SHAFT) | | 1 | 1 | 1 | | | |
| 37 | G | R01 32J 100 | SHAFT | | 1 | 1 | 1 | | | |
| 38 | G | R01 E05 103 | BEARING | | 1 | 1 | 1 | OIL SET | | |
| 39 | G | R01 E00 145 | BEARING SUPPORT | | 1 | 1 | 1 | | | |
| 40 | G | T7W E20 675 | FAN GUARD-L | | 1 | 1 | 1 | | | |
| 41 | G | T7W E21 675 | FAN GUARD-R | | 1 | 1 | 1 | | | |
| 42 | G | T7W E23 675 | FAN GUARD | | 1 | 1 | 1 | FOR MF | | |
| 43 | G | T7W E25 675 | FAN GUARD | | 2 | 2 | 2 | | | |
| 44 | G | R01 E25 500 | AIR FILTER (LARGE) | | 2 | 2 | 2 | | | |
| 45 | G | R01 E55 691 | GRILLE (LARGE) | | 2 | 2 | 2 | WITH HANGER | | |
| 46 | G | R01 E04 061 | GRILLE HINGE | | 6 | 6 | 6 | | | |
| 47 | G | R01 E11 054 | GRILLE CATCH | | 6 | 6 | 6 | | | |

RoHS PARTS LIST

ELECTRICAL PARTS

PCA-RP35KAQ

PCA-RP50KAQ

PCA-RP60KAQ

PCA-RP71KAQ

PCA-RP100KAQ

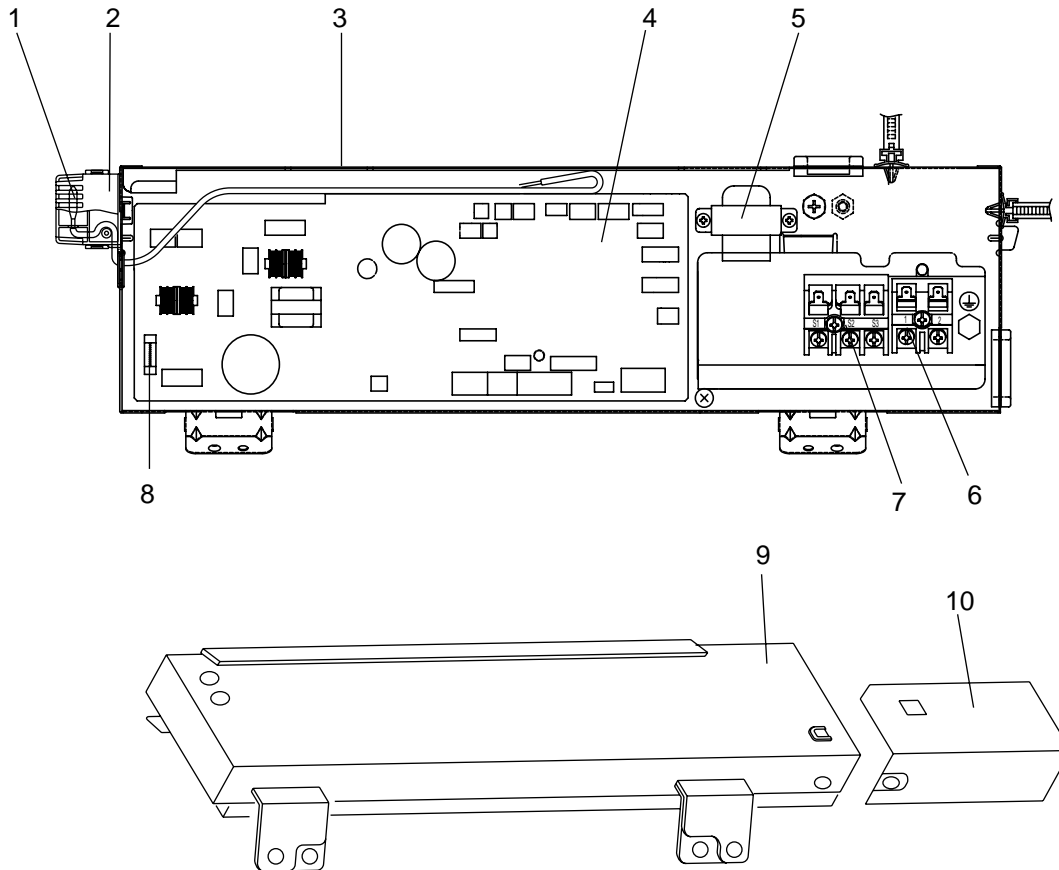
PCA-RP125KAQ

PCA-RP140KAQ

PCA-RP50KAQR1

PCA-RP60KAQR1

PCA-RP71KAQR1



| No. | RoHS | Part No. | Part Name | Specification | Q'ty/set | | | | | | | Remarks (Drawing No.) | Wiring Diagram Symbol | | |
|-----|------|-------------|----------------------|-----------------|-------------|-------------|-------------|-------------|--------------|--------------|--------------|--------------------------|-----------------------------|---------------|---------------|
| | | | | | PCA-RP35KAQ | PCA-RP50KAQ | PCA-RP60KAQ | PCA-RP71KAQ | PCA-RP100KAQ | PCA-RP125KAQ | PCA-RP140KAQ | | | PCA-RP50KAQR1 | PCA-RP60KAQR1 |
| 1 | G | R01 N18 202 | THERMISTOR (ROOM) | | 1 | 1 | 1 | 1 | 1 | 1 | 1 | 1 | 1 | | TH1 |
| 2 | G | R01 E01 520 | SENSOR COVER | | 1 | 1 | 1 | 1 | 1 | 1 | 1 | 1 | 1 | | |
| 3 | G | - | ELECTRICAL BOX | | 1 | 1 | 1 | 1 | 1 | 1 | 1 | 1 | 1 | (BH00G997G22) | |
| 4 | G | T7W E94 310 | CONTROLLER BOARD | | | 1 | 1 | 1 | 1 | 1 | 1 | | | | I.B |
| | G | T7W C07 310 | CONTROLLER BOARD | | 1 | | | | | | | 1 | 1 | 1 | I.B |
| 5 | G | T7W E19 259 | REACTOR | | 1 | 1 | 1 | 1 | 1 | 1 | 1 | 1 | 1 | | DCL |
| 6 | G | T7W E33 716 | TERMINAL BLOCK | 2P (1,2) | 1 | 1 | 1 | 1 | 1 | 1 | 1 | 1 | 1 | | TB5 |
| 7 | G | R01 E20 246 | TERMINAL BLOCK | 3P (S1, S2, S3) | 1 | 1 | 1 | 1 | 1 | 1 | 1 | 1 | 1 | | TB4 |
| 8 | G | R01 E14 239 | FUSE | 6.3A 250V | 1 | 1 | 1 | 1 | 1 | 1 | 1 | 1 | 1 | | FUSE |
| 9 | G | - | ELECTRICAL BOX COVER | | 1 | 1 | 1 | 1 | 1 | 1 | 1 | 1 | 1 | (BH00L104G09) | |
| 10 | G | - | ELECTRICAL BOX COVER | | 1 | 1 | 1 | 1 | 1 | 1 | 1 | 1 | 1 | (RG02V755G02) | |

Mr. SLIM™

MITSUBISHI ELECTRIC CORPORATION

HEAD OFFICE : TOKYO BLDG., 2-7-3, MARUNOUCHI, CHIYODA-KU, TOKYO 100-8310, JAPAN