

PEAD-RP Power Inverter Heat Pump

R410A Ceiling Concealed Ducted System

New Models



Technical Information >>

PEAD-RP - INDOOR UNITS

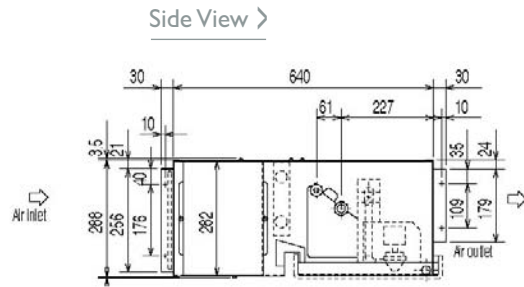
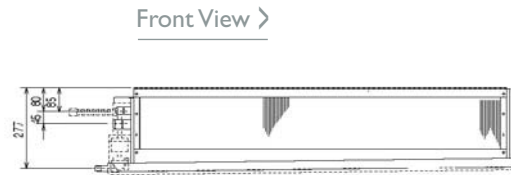
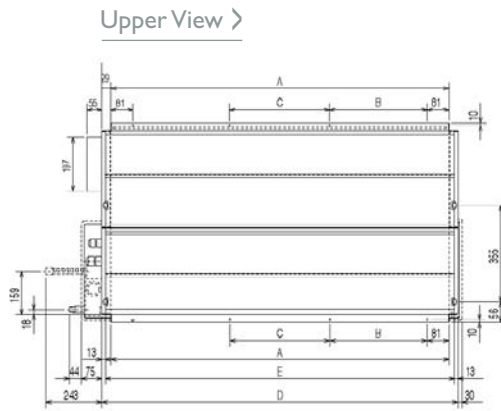
MODEL REFERENCE		PEAD-RP35EA	PEAD-RP50EA	PEAD-RP60EA	PEAD-RP71EA	PEAD-RP100EA	PEAD-RP125EA	PEAD-RP140EA
CAPACITY (kW)	Heating (nominal)	4.1 (1.6-5.2)	6.0 (2.5-7.3)	7.0 (2.8-8.2)	8.0 (3.5-10.2)	11.2 (4.5-14.0)	14.0 (5.0-16.0)	16.0 (5.0-18.0)
	Cooling (nominal)	3.6 (1.6-4.5)	4.9 (2.3-5.6)	6.0 (2.7-6.7)	7.1 (3.3-8.1)	10.0 (4.9-11.4)	12.5 (5.5-14.0)	14.0 (5.5-15.3)
	Heating (UK)	3.5 (1.35-4.4)	5.1 (2.15-6.2)	5.95 (2.4-6.95)	6.8 (3.0-8.65)	9.5 (3.85-11.9)	11.9 (4.25-13.6)	13.6 (4.25-15.3)
	Cooling (UK)	3.25 (1.45-4.05)	4.4 (2.05-5.05)	5.4 (2.45-6.05)	6.4 (2.95-7.3)	9.0 (4.4-10.25)	11.25 (4.95-12.6)	12.6 (4.95-13.75)
SHF (nominal)	0.88	0.82	0.79	0.83	0.83	0.83	0.83	0.82
COP / EER (nominal)	3.25 / 3.21	3.64 / 3.22	3.68 / 3.23	3.42 / 3.30	3.22 / 3.25	3.41 / 3.39	3.36 / 2.85	3.36 / 2.85
ENERGY LABEL	Heating/Cooling	C / A	A / A	A / A	B / A	C / A	B / A	C / C
AIRFLOW (m3/min)	Lo-Hi	11-14	13.5-17	17-21	20-25	27-34	33.5-42	36.5-46
PIPE SIZE mm(in)	Gas	12.7 (1/2")	12.7 (1/2")	15.88 (5/8")	15.88 (5/8")	15.88 (5/8")	15.88 (5/8")	15.88 (5/8")
	Liquid	6.35 (1/4")	6.35 (1/4")	9.52 (3/8")	9.52 (3/8")	9.52 (3/8")	9.52 (3/8")	9.52 (3/8")
EXTERNAL STATIC PRESSURE (Pa) Lo-Hi		30-70	30-70	30-70	70-130*1	70-130*2	70-130*3	70-130*3
NOISE (dBA)	Lo-Hi (*4)	34-38 (36-43)	36-40 (38-44)	37-41 (39-46)	37-41 (40-45)	41-46 (42-48)	44-50 (46-52)	46-51 (47-53)
DIMENSIONS (mm)	Width	935	935	1175	1175	1415	1415	1715
	Depth	700	700	700	740	740	740	740
	Height	295	295	295	325	325	325	325
	WEIGHT (kg)	33	35	42	44	62	65	70
ELECTRICAL SUPPLY		Fed by Outdoor Unit	Fed by Outdoor Unit	Fed by Outdoor Unit	Fed by Outdoor Unit	Fed by Outdoor Unit	Fed by Outdoor Unit	Fed by Outdoor Unit
PHASE		Single	Single	Single	Single	Single	Single	Single
FUSE RATING (BS88) – HRC (A)		6	6	6	6	6	6	6
INTERCONNECTING CABLE No. CORES		4	4	4	4	4	4	4

Notes: External static pressure - (35-60: 30 + 70Pa connections as standard) / (71-140: 130Pa optional fan motor - *1 PAC-SK005MT-F; *2 PAC-SK004MT-F; *3 PAC-SK003MT-F).
*4 70Pa (35-60) / 130Pa optional fan motor (71-140).

PUHZ-RP - OUTDOOR UNITS

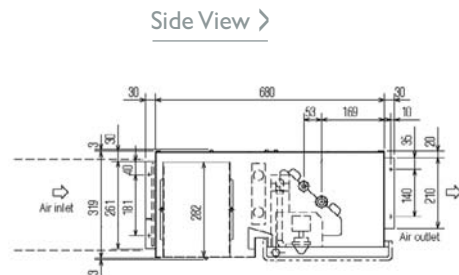
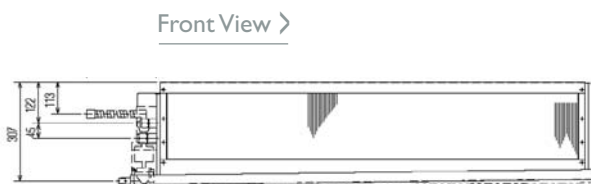
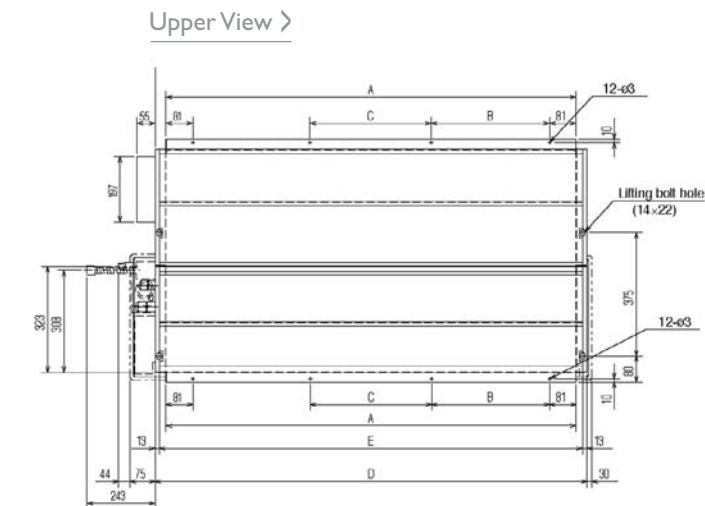
MODEL REFERENCE		PUHZ-RP35VHA	PUHZ-RP50VHA	PUHZ-RP60VHA	PUHZ-RP71VHA	PUHZ-RP100VHA/YHA	PUHZ-RP125VHA/YHA	PUHZ-RP140VHA/YHA
NOISE (dBA)	Heating/Cooling	46 / 44	46 / 44	48 / 47	48 / 47	51 / 49	52 / 50	52 / 50
WEIGHT (kg)		45	45	75	75	121 / 135	121 / 135	121 / 135
DIMENSIONS (mm)	Width	800	800	950	950	950	950	950
	Depth	330 + 23	330 + 23	330 + 30	330 + 30	330 + 30	330 + 30	330 + 30
	Height	600	600	943	943	1350	1350	1350
ELECTRICAL SUPPLY		220-240v, 50Hz	220-240v, 50Hz	220-240v, 50Hz	220-240v, 50Hz	220-240v, 50Hz / 380-415,50Hz	220-240v, 50Hz / 380-415,50Hz	220-240v, 50Hz / 380-415,50Hz
PHASE		Single	Single	Single	Single	Single / 3	Single / 3	Single / 3
SYSTEM POWER INPUT (kW)	Heating/Cooling (nominal)	1.26 / 1.12	1.65 / 1.52	1.90 / 1.86	2.34 / 2.15	3.48 / 3.08	4.11 / 3.69	4.76 / 4.91
	Heating/Cooling (UK)	1.12 / 0.95	1.47 / 1.29	1.69 / 1.58	2.08 / 1.83	3.10 / 2.62	3.66 / 3.14	4.24 / 4.18
STARTING CURRENT (A)		5	5	5	5	5	5	5
SYSTEM RUNNING CURRENT (A) Single Phase	Heating/Cooling	4.78 / 4.56	7.08 / 6.77	8.2 / 7.31	11.29 / 9.59	16.47 / 14.86	20.12 / 18.42	23.06 / 23.42
	3 Phase	-	-	-	-	6.86 / 6.32	8.03 / 7.47	9.06 / 9.18
FUSE RATING (BS88) – HRC (A)		16	16	25	25	32 / 16	32 / 16	40 / 16
MAINS CABLE No. Cores		3	3	3	3	3 / 5	3 / 5	3 / 5
MAX PIPE LENGTH (m)		50	50	50	50	75	75	75
MAX HEIGHT DIFFERENCE (m)		30	30	30	30	30	30	30
CHARGE R410A (kg) - 30m		2.5	2.5	3.5	3.5	5.0	5.0	5.0

INDOOR UNIT PEAD-RP35-60EA



Models	A	B	C	D	E
Size 35-50	772	305	-	830	804
Size 60	1012	280	290	1070	1044

INDOOR UNIT PEAD-RP71-140EA



Models	A	B	C	D	E
Size 71	1012	280	290	1070	1044
Size 100-125	1252	360	370	1310	1284
Size 140	1552	460	470	1610	1584