



PEAD-RP35EA2

Standard Inverter Heat Pump

R410A Ceiling Concealed Ducted System

The new Standard Inverter range provides inverter solutions for customers who want all the benefits that inverters offer, but do not have the budget available for the more expensive Power Inverter range.



Pictures not to scale

Product Details

PEAD-RP35EA2 Indoor Unit

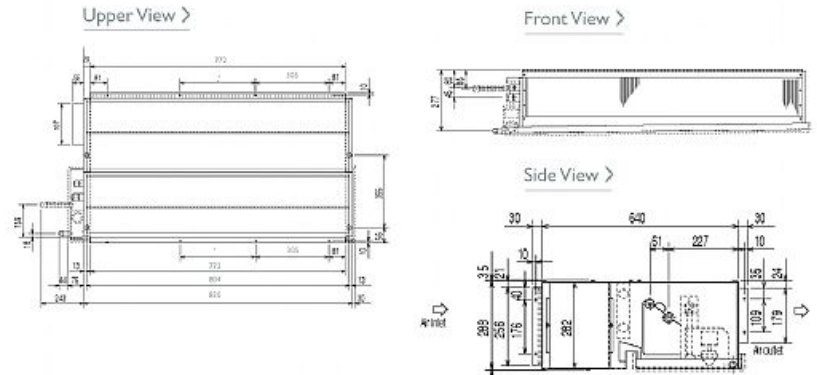
Capacity (kW):	
Heating (Nominal) (Low - High)	4.10 (0.90 - 5.00)
Cooling (Nominal) (Low - High)	3.60 (1.00 - 3.90)
Heating (UK) (Low - High)	3.40 (0.75 - 4.15)
Cooling (UK) (Low - High)	3.55 (1.00 - 3.85)
SHF R410A (Nominal)	0.9
COP / EER (Nominal)	3.63 / 3.21
Energy Label Heating / Cooling	A / A
Width - mm	935
Depth - mm	700
Height - mm	295
Weight - kg	33
Airflow (m ³ /min) - Lo-Hi	13.5-17
External Static Pressure Pa - Lo-Hi	30-70
Noise (dBA) - Lo-Hi	36-40
Pipe Size Gas mm (in)	9.52 (3/8)
Pipe Size Liquid mm (in)	6.35 (1/4)
Electrical Supply	Fed by Outdoor Unit
Phase	Single
Fuse Rating (BS88) - HRC (A)	6
Interconnecting Cable No. Cores	4
Remote Controller Ref	PAR-21MAA

SUZ-KA35VA Outdoor Unit

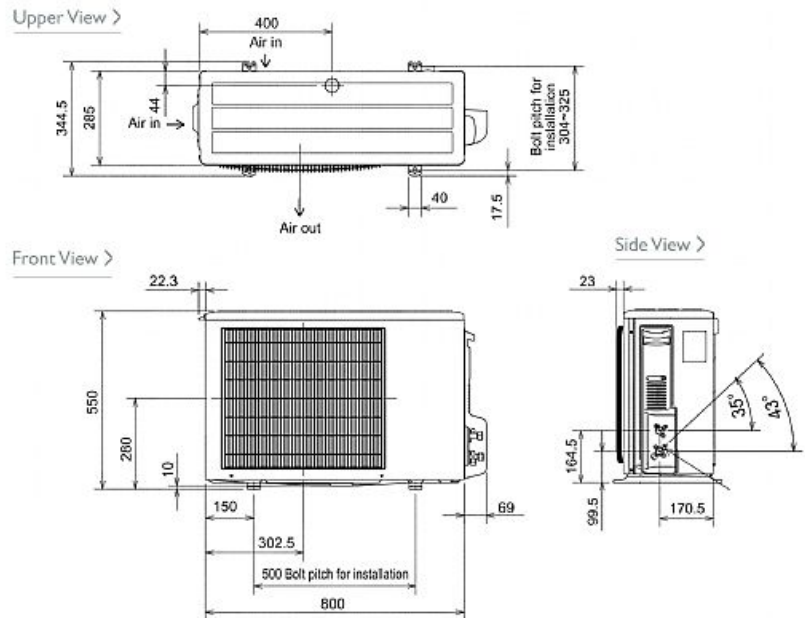
Width - mm	800
Depth - mm	285
Height - mm	550
Weight - kg	37
Noise (dBA) (Heating / Cooling)	48 / 47
Electrical Supply	220-240v, 50Hz
Phase	Single
Fuse Rating (BS88) - HRC (A)	16
System Power Input (kW) - Heating (Nominal)	1.13
System Power Input (kW) - Cooling (Nominal)	1.12
System Power Input (kW) - Heating (UK)	1.03
System Power Input (kW) - Cooling (UK)	0.9
Starting Current (A)	4.75
System Running Current (A) - Heating / Cooling	5.36 / 5.16
Mains Cable No. Cores	3
Max Pipe Length (m)	20
Max Height Difference (m)	12
Charge (kg) - 7m	1.05

Dimensions

PEAD-RP35EA2



SUZ-KA35VA



Telephone: 01707 282880

Email: air.conditioning@meuk.mee.com Website: <http://www.mitsubishielectric.co.uk/aircon>

Tel:
Fax:

Mitsubishi Electric reserves the right to make any variation in technical specification to the equipment described, or to withdraw or replace products without prior notification or public announcement.

