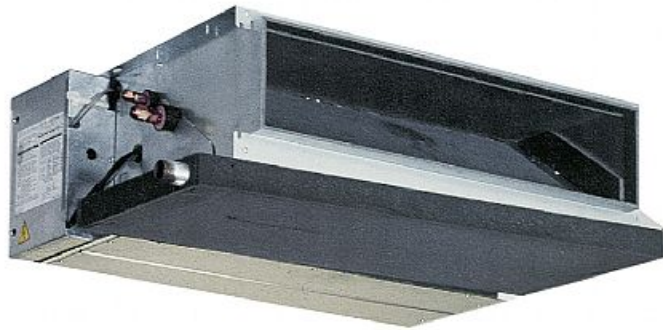




# PEAD-RP140EA

Heat Pump

R410A Ceiling Concealed Ducted System



Pictures not to scale

## Product Details

### PEAD-RP140EA Indoor Unit

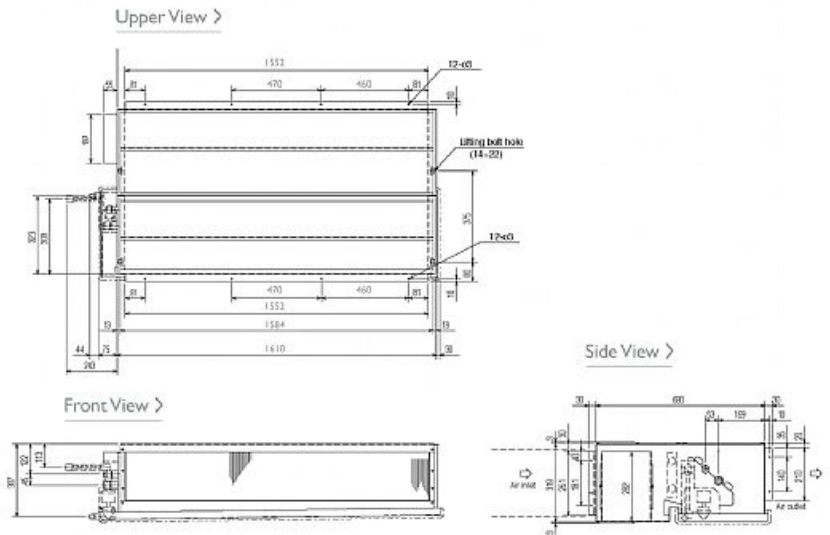
Capacity (kW):	
Heating (Nominal)	16.70
Cooling (Nominal)	14.20
Heating (UK)	14.20
Cooling (UK)	12.80
SHF R410A (Nominal)	0.83
Width - mm	1715
Depth - mm	740
Height - mm	325
Weight - kg	70
Airflow (m <sup>3</sup> /min) - Lo-Hi	36.5-46
External Static Pressure Pa - Lo-Hi	70-130
Noise (dBA) - Lo-Hi	46-51
Pipe Size Gas mm (in)	15.88 (5/8)
Pipe Size Liquid mm (in)	9.52 (3/8)
Electrical Supply	Fed by Outdoor Unit
Phase	Single
Fuse Rating (BS88) - HRC (A)	6
Interconnecting Cable No. Cores	4
Remote Controller Ref	PAR-21MAA

### PUH-P140YHA Outdoor Unit

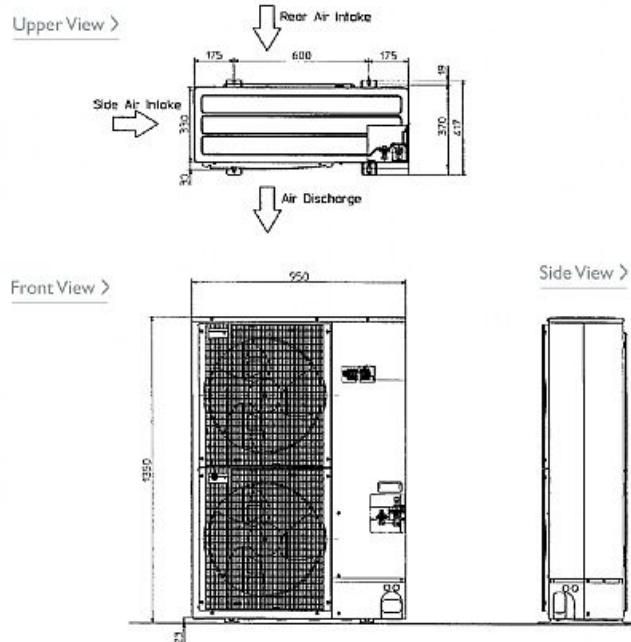
Width - mm	950
Depth - mm	330 + 30
Height - mm	1350
Weight - kg	131
Noise (dBA) (Heating /Cooling)	53 /51
Electrical Supply	380-415v, 50Hz
Phase	3
Fuse Rating (BS88) - HRC (A)	25
SystemPower Input (kW) - Heating (Nominal)	5.28
SystemPower Input (kW) - Cooling (Nominal)	5.63
SystemPower Input (kW) - Heating (UK)	4.7
SystemPower Input (kW) - Cooling (UK)	4.79
Starting Current (A)	85
SystemRunning Current (A) - Heating / Cooling	11.14 / 11.24
Mains Cable No. Cores	5
Max Pipe Length (m)	50
Max Height Difference (m)	50
Charge (kg) - 30m	5

## Dimensions

### PEAD-RP140EA



### PUH-P140YHA



Telephone: 01707 282880

Email: [air.conditioning@meuk.mee.com](mailto:air.conditioning@meuk.mee.com) Website: <http://www.mitsubishielectric.co.uk/aircon>

Tel:  
Fax:



Mitsubishi Electric reserves the right to make any variation in technical specification to the equipment described, or to withdraw or replace products without prior notification or public announcement.