



PEAD-RP100EA2

Power Inverter Heat Pump

R410A Ceiling Concealed Ducted System

Advanced inverter technology makes the Mr Slim Power Inverter the number one choice for improving comfort. They provide energy savings of up to 70% annually when compared to a previous non-inverter model. Operating noise has also been reduced thanks to improvements in fan design, while existing pipe work is reusable for easier maintenance and installation.



Pictures not to scale

Product Details

PEAD-RP100EA2 Indoor Unit

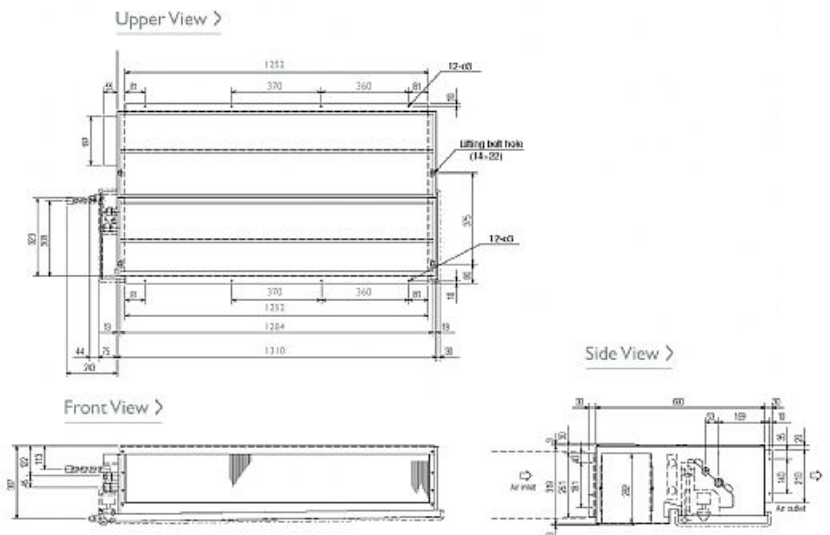
| | |
|---------------------------------------|----------------------|
| Capacity (kW): | |
| Heating (Nominal) (Low - High) | 11.20 (4.50 - 14.00) |
| Cooling (Nominal) (Low - High) | 10.00 (4.90 - 11.40) |
| Heating (UK) (Low - High) | 9.50 (3.85 - 11.90) |
| Cooling (UK) (Low - High) | 9.00 (4.40 - 10.25) |
| SHF R410A (Nominal) | 0.86 |
| COP / EER (Nominal) | 3.51 / 3.27 |
| Energy Label Heating / Cooling | B / A |
| Width - mm | 1415 |
| Depth - mm | 740 |
| Height - mm | 325 |
| Weight - kg | 65 |
| Airflow (m ³ /min) - Lo-Hi | 33.5-42 |
| External Static Pressure Pa - Lo-Hi | 70-130 |
| Noise (dBA) - Lo-Hi | 44-50 |
| Pipe Size Gas mm (in) | 15.88 (5/8) |
| Pipe Size Liquid mm (in) | 9.52 (3/8) |
| Electrical Supply | Fed by Outdoor Unit |
| Phase | Single |
| Fuse Rating (BS88) - HRC (A) | 6 |
| Interconnecting Cable No. Cores | 4 |
| Remote Controller Ref | PAR-21MAA |

PUHZ-RP100VHA3 Outdoor Unit

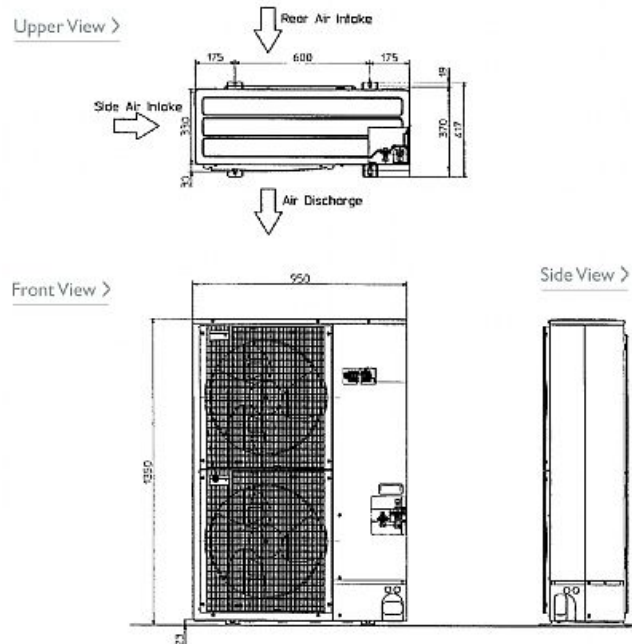
| | |
|---|----------------|
| Width - mm | 950 |
| Depth - mm | 330 + 30 |
| Height - mm | 1350 |
| Weight - kg | 116 |
| Noise (dBA) (Heating /Cooling) | 51 / 49 |
| Electrical Supply | 220-240v, 50Hz |
| Phase | Single |
| Fuse Rating (BS88) - HRC (A) | 32 |
| SystemPower Input (kW) - Heating (Nominal) | 3.19 |
| SystemPower Input (kW) - Cooling (Nominal) | 3.06 |
| SystemPower Input (kW) - Heating (UK) | 2.84 |
| SystemPower Input (kW) - Cooling (UK) | 2.6 |
| Starting Current (A) | 5 |
| SystemRunning Current (A) - Heating / Cooling | 15.01 / 15.15 |
| Mains Cable No. Cores | 3 |
| Max Pipe Length (m) | 75 |
| Max Height Difference (m) | 30 |
| Charge (kg) - 30m | 5 |

Dimensions

PEAD-RP100EA2



PUHZ-RP100VHA3



Telephone: 01707 282880

Email: air.conditioning@meuk.mee.com Website: <http://www.mitsubishielectric.co.uk/aircon>

Tel:
Fax:



Mitsubishi Electric reserves the right to make any variation in technical specification to the equipment described, or to withdraw or replace products without prior notification or public announcement.