

# Air Conditioning

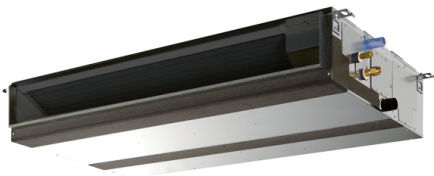
## Product Information

### PEAD-RP35JAQ : Standard Inverter Heat Pump

R410A Ceiling Concealed Ducted System



Our standard inverter range offers customers all the features and benefits of inverter technology whilst being cost effective.



## FEATURES



### INDOOR

Heating Capacity (kW) (nominal)	3.6 (1.7 - 5)
Cooling Capacity (kW) (nominal)	3.6 (1.4 - 3.9)
Heating Capacity (kW) (UK)	3.20 (1.45 - 4.25)
Cooling Capacity (kW) (UK)	3.31 (1.29 - 3.59)
SHF (nominal and UK)	0.85
COP / EER (nominal)	3.69 / 3.42
SCOP / SEER	4 / 5.5
Energy Efficiency Class - Heating / Cooling	A+ / A
Airflow (m <sup>3</sup> /min) Lo-Mi-Hi	10 - 12 - 14
Pipe Size Gas (mm [in])	9.52 (3/8")
Pipe Size Liquid (mm [in])	6.35 (1/4")
External Static Pressure (Pa) Lo-Mi-Mi2-Mi3-Hi	35-50-70-100-150
Sound Pressure Level (dBA) Lo-Mi-Hi	23 - 27 - 30
Sound Power Level (dBA) Cooling	52
Dimensions (mm) Width x Depth x Height	900 x 732 x 250
Weight (kg)	26
Electrical Supply	FED BY OUTDOOR UNIT
Phase	SINGLE
Fuse Rating (BS88) - HRC (A)	6
Interconnecting Cable No. Cores	4

### OUTDOOR

Sound Pressure Level (dBA) Heating / Cooling	50 / 49
Sound Power Level (dBA) Cooling	62
Weight (kg)	35
Dimensions (mm) Width x Depth x Height	800 x 285 x 550
Electrical Supply	220-240V, 50HZ
Phase	SINGLE
System Power Input (kW) - Heating / Cooling (nominal)	1.11 / 1.50
System Power Input (kW) - Heating / Cooling (UK)	0.98 / 0.89
Starting Current (A)	5.1
System Running Current (A) [MAX] - Heating / Cooling	4.90 / 5.10 [9.3]
Fuse Rating (BS88) - HRC (A)	16
Mains Cable No. Cores	3
Max Pipe Length (m)	20
Max Height Difference (m)	30
Charge R410A (kg) - pre charged length (m)	1.15 - 30

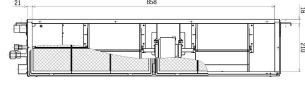
### DIMENSIONS

PEAD-RP35JAQ

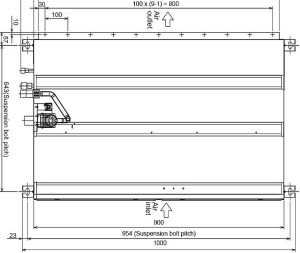
Front View >



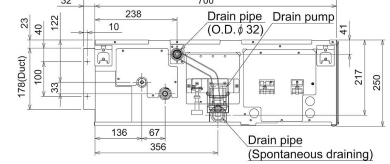
Rear View >



Upper View >



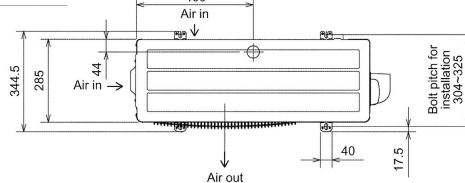
Side View >



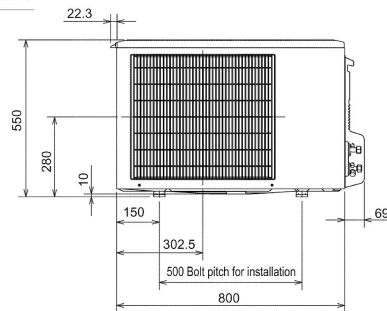
### DIMENSIONS

SUZ-KA35VA4

Upper View >



Front View >



Side View >

