



PLA-RP50BA

Standard Inverter Heat Pump

R410A 4-Way Blow Ceiling Cassette System

The new Standard Inverter range provides inverter solutions for customers who want all the benefits that inverters offer, but do not have the budget available for the more expensive Power Inverter range.

- **Airflow controllable for ceiling heights up to 4.2m, with automatic adjustment of fan speed**
- **Reduced draft air distribution, with independent vane control**
- **Filter lowering operation down to 4m (optional PLP-6BAJ grille required)**
- **Optional 'I See Sensor' for energy saving and smooth temperature control throughout the room**



Pictures not to scale

Product Details

PLA-RP50BA Indoor Unit

Capacity (kW):	
Heating (Nominal) (Low - High)	6.00 (0.90 - 7.20)
Cooling (Nominal) (Low - High)	5.00 (1.10 - 5.60)
Heating (UK) (Low - High)	5.00 (0.75 - 6.00)
Cooling (UK) (Low - High)	4.95 (1.10 - 5.55)
SHF R410A (Nominal)	0.81
COP / EER (Nominal)	3.3 / 2.81
Energy Label Heating / Cooling	C / C
Width (grille) - mm	840 (950)
Depth (grille) - mm	840 (950)
Height (grille) - mm	258 (35)
Weight (grille) - kg	22 (6)
Airflow (m3/min) - Lo-Mi1-Mi2-Hi	12-14-16-18
Noise (dBA) - Lo-Mi1-Mi2-Hi	28-29-31-32
Pipe Size Gas mm (in)	12.7 (1/2)
Pipe Size Liquid mm (in)	6.35 (1/4)
Electrical Supply	Fed by Outdoor Unit
Phase	Single
Fuse Rating (BS88) - HRC (A)	6
Interconnecting Cable No. Cores	4
Grille Ref	PLP-6BA GRILLE
Remote Controller Ref	PAR-21MAA

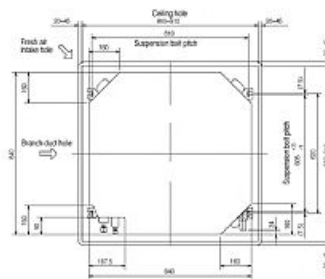
SUZ-KA50VA Outdoor Unit

Width - mm	840
Depth - mm	330
Height - mm	850
Weight - kg	53
Noise (dBA) (Heating /Cooling) - Lo-Hi	53-55 /51-53
Electrical Supply	220-240v, 50Hz
Fuse Rating (BS88) - HRC (A)	25
SystemPower Input (kW) - Heating (Nominal)	1.82
SystemPower Input (kW) - Cooling (Nominal)	1.78
SystemPower Input (kW) - Heating (UK)	1.62
SystemPower Input (kW) - Cooling (UK)	1.42
SystemRunning Current (A) - Heating / Cooling	7.14 / 7.54
Mains Cable No. Cores	3
Max Pipe Length (m)	30
Max Height Difference (m)	30
Charge (kg) - 7m	1.6

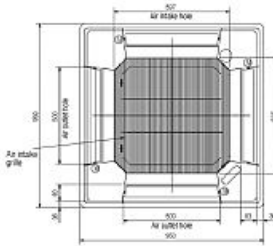
Dimensions

PLA-RP50BA

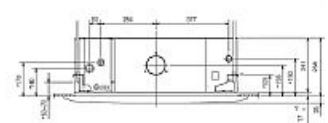
Upper View >



Front View >

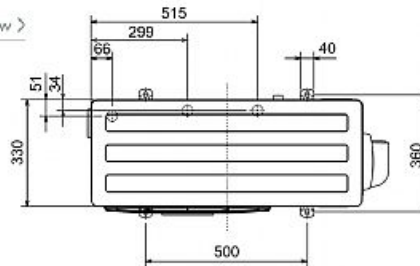


Side View >

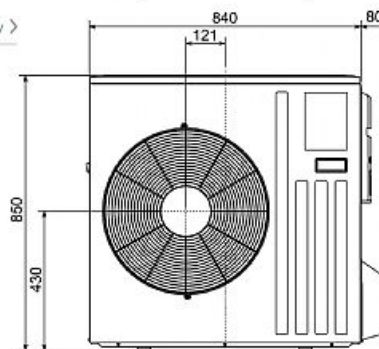


SUZ-KA50VA

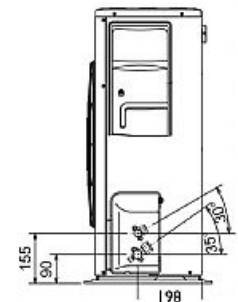
Upper View >



Front View >



Side View >



Telephone: 01707 282880

Email: air.conditioning@meuk.mee.com Website: <http://www.mitsubishielectric.co.uk/aircon>

Tel:
Fax:



Mitsubishi Electric reserves the right to make any variation in technical specification to the equipment described, or to withdraw or replace products without prior notification or public announcement.