

SPLIT-TYPE, HEAT PUMP AIR CONDITIONERS
SPLIT-TYPE, AIR CONDITIONERS

April 2008

No. OCB412

REVISED EDITION-C

PARTS CATALOG

Series PLA Ceiling Cassettes R410A

Indoor unit

[Model names] [Service Ref.]

PLA-RP35BA	PLA-RP35BA.UK
	PLA-RP35BA ₁ .UK
PLA-RP50BA	PLA-RP50BA.UK
	PLA-RP50BA ₁ .UK
	PLA-RP60BA.UK
	PLA-RP60BA ₁ .UK
PLA-RP70BA	PLA-RP71BA.UK
	PLA-RP71BA ₁ .UK
PLA-RP100BA	PLA-RP100BA.UK
PLA-RP125BA	PLA-RP125BA.UK
PLA-RP140BA	PLA-RP140BA.UK
PLA-RP71BA2	PLA-RP71BA2.UK
PLA-RP100BA	PLA-RP100BA2.UK
PLA-RP125BA	PLA-RP125BA2.UK

PLA-RP35BA#2.UK

PLA-RP50BA#2.UK

PLA-RP60BA#2.UK

PLA-RP71BA#2.UK

PLA-RP100BA#2.UK

PLA-RP125BA#2.UK

PLA-RP140BA#2.UK

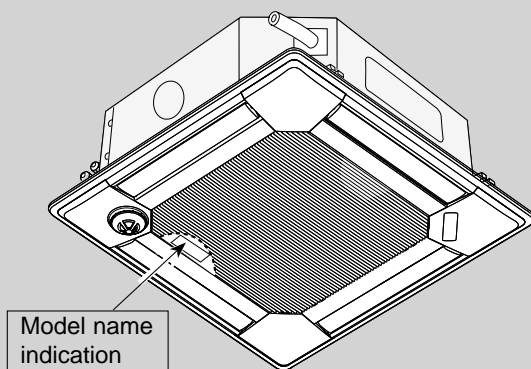
Revision:

- PLA-RP35~140BA#2.UK and PLP-6BAE/BALME/BAMDE are added in REVISED EDITION-C.
- Some descriptions have been modified.

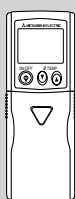
- Please void OCB412 REVISED EDITION-B.

NOTE:

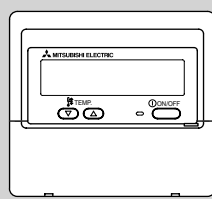
- This manual describes only service data of the indoor units.
- RoHS compliant products have <G> mark on the spec name plate.



INDOOR UNIT



WIRELESS REMOTE CONTROLLER



WIRED REMOTE CONTROLLER

CONTENTS

1. RoHS PARTS LIST..... 2

SERVICE MANUAL (OCH412)

PANEL PARTS

PLP-6BA

PLP-6BAE

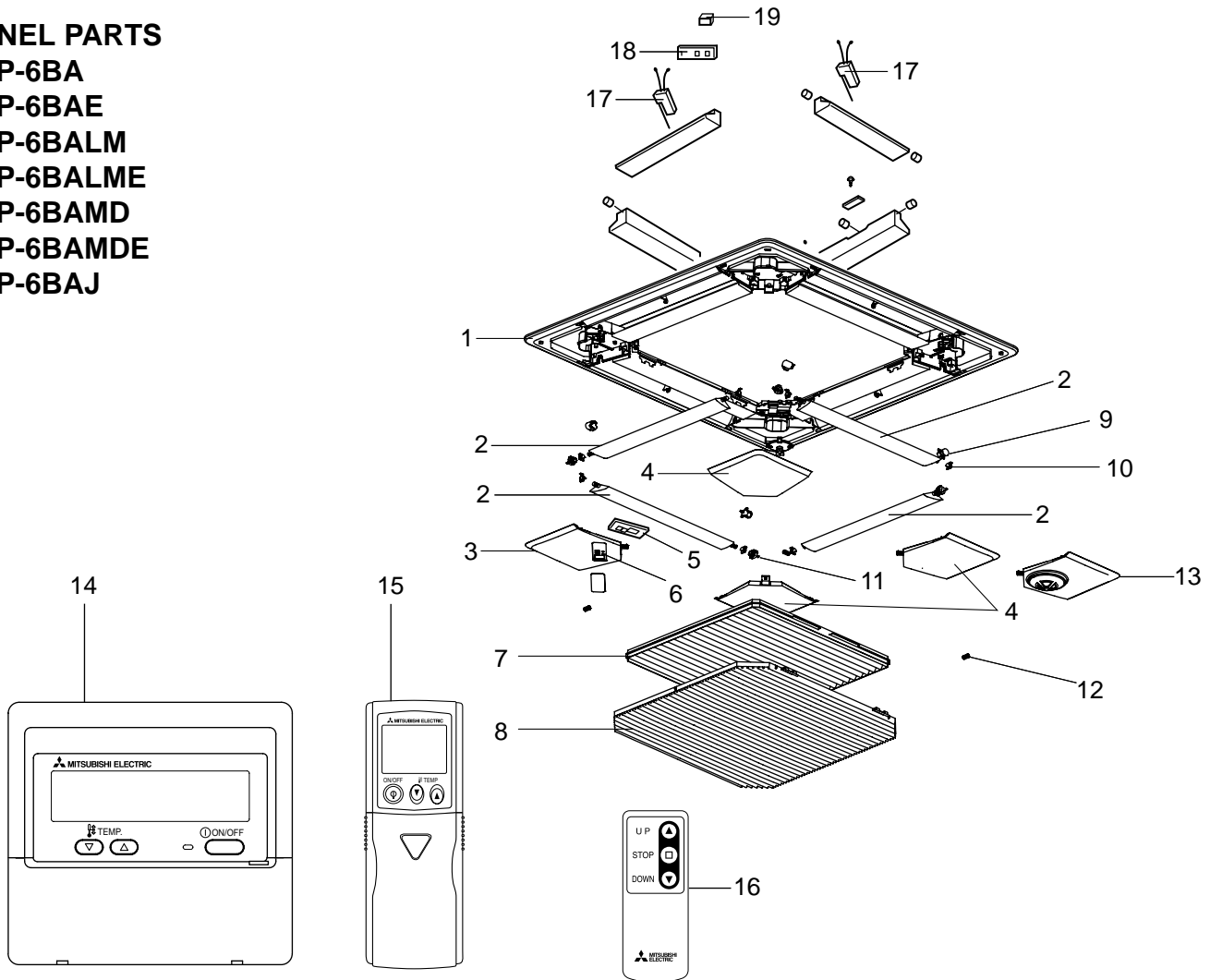
PLP-6BALM

PLP-6BALME

PLP-6BAMD

PLP-6BAMDE

PLP-6BAJ

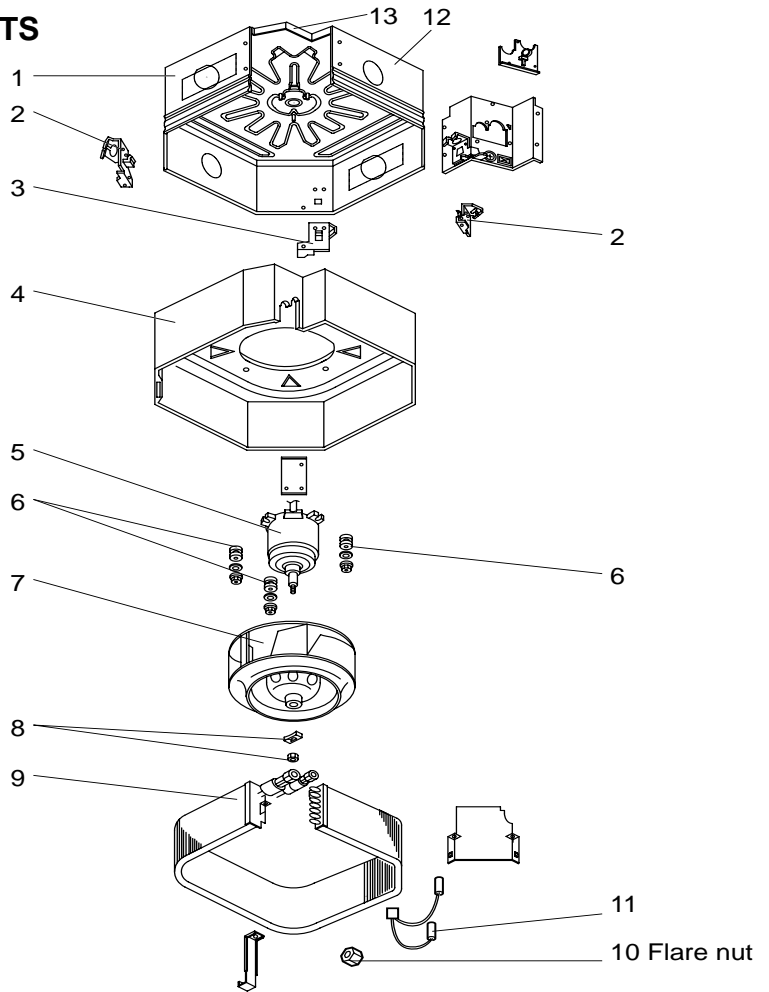


Part numbers that are circled are not shown in the illustration.

No.	RoHS	Parts No.	Parts Name	Specification	Q'ty/unit							Remarks (Drawing No.)	Wiring Diagram Symbol	Recom- mended Q'ty
					PLP- 6									
					BA	BAE	BALM	BALME	BAMD	BAMDE	BAJ			
1	G	S70 E20 003	AIR OUTLET GRILLE		1	1	1	1	1	1	1			
2	G	S70 E20 002	VANE ASSY		4	4	4	4	4	4	4			
3	G	S70 E30 638	CORNER PANEL (L)		1	1			1	1				
	G	S70 E40 638	CORNER PANEL (L)				1	1			1			
4	G	S70 E20 638	CORNER PANEL		3	3	3	3	3	3	3			
5	G	S70 E20 317	WIRELESS ADAPTER				1	1			1		W.B	
6	G	S70 E50 658	RECEIVER				1	1			1		RU	
7	G	S70 E20 500	L. L. FILTER-A		1	1	1	1	1	1	1			
8	G	S70 E20 691	GRILLE ASSY		1	1	1	1	1	1				
	G	S70 E30 691	GRILLE ASSY								1			
9	G	S70 E00 223	STEPPING MOTOR		4	4	4	4	4	4	4		MV	
10	G	S70 E00 063	VANE BUSH-A		8	8	8	8	8	8	8			
11	G	S70 E00 040	GEAR (Vane)		4	4	4	4	4	4	4			
12	G	S70 E01 040	GEAR (S/M)		4	4	4	4	4	4	4			
13	G	—	I-SEE SENSOR	PAC-SA1ME-E			1		1		1		Optional parts	
14	G	S70 E50 713	REMOTE CONTROLLER	PAR-21MAA-J					1	1				
15	G	S70 E40 714	REMOTE CONTROLLER	PAR-SL97A-E			1	1						
16	G	S70 E60 714	REMOTE CONTROLLER								1		for Auto Grille	
17	G	S70 0B0 213	MOTOR BOX								2		UK1	
18	G	S70 0B6 310	CONTROLLER BOARD								1		U.B	
19	G	S70 0B0 512	LIMIT SWITCH								1		LS1	
20	G	S70 E20 305	CABLE ASSY				1	1			1		for W.B.	
21	G	S70 E20 673	SCREW ASSY		1	1			1	1	1		Accessory	
	G	S70 E30 673	SCREW ASSY				1	1					Accessory	

STRUCTURAL AND FUNCTIONAL PARTS

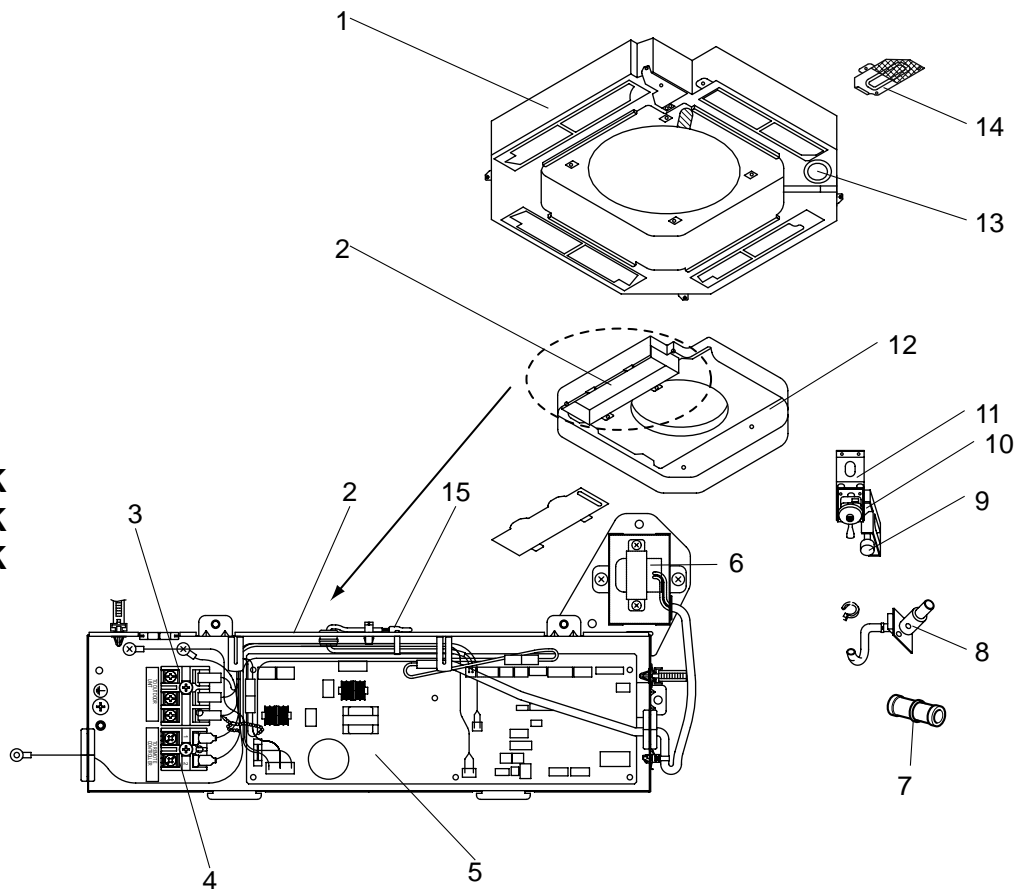
PLA-RP35BA.UK
 PLA-RP50BA.UK
 PLA-RP60BA.UK
 PLA-RP71BA.UK
 PLA-RP100BA.UK
 PLA-RP125BA.UK
 PLA-RP140BA.UK
 PLA-RP35BA₁.UK
 PLA-RP50BA₁.UK
 PLA-RP60BA₁.UK
 PLA-RP71BA₁.UK
 PLA-RP35BA#2.UK
 PLA-RP50BA#2.UK
 PLA-RP60BA#2.UK
 PLA-RP71BA#2.UK
 PLA-RP100BA#2.UK
 PLA-RP125BA#2.UK
 PLA-RP140BA#2.UK
 PLA-RP71BA2.UK
 PLA-RP100BA2.UK
 PLA-RP125BA2.UK



No.	RoHS	Parts No.	Parts Name	Specification	Q'ty/unit												Remarks (Drawing No.)	Wiring Diagram Symbol	Recom- mended Q'ty
					PLA-RP														
					35	50	60	71	100	125	140	35	50	60	71	71			
BA.UK				BA(#2).UK				BA ₁ .UK,BA#2.UK				BA2.UK							
1	G	S70 0B3 688	DRUM 2 ASSY		1	1	1	1				1	1	1	1	1			
	G	S70 0B4 688	DRUM 2 ASSY						1	1	1						1	1	
2	G	S70 0B2 130	LEG 1A		2	2	2	2	2	2	2	2	2	2	2	2	2	2	2
	G	S70 0B1 130	LEG 1B		1	1	1	1	1	1	1	1	1	1	1	1	1	1	1
4	G	S70 0B1 659	INNER COVER ASSY - S		1	1	1	1				1	1	1	1	1			
	G	S70 0B2 659	INNER COVER ASSY - L						1	1	1						1	1	
5	G	S70 0B1 762	FAN MOTOR		1	1	1	1											MF
	G	S70 0B2 762	FAN MOTOR						1	1	1					1	1		MF
	G	S70 0B3 762	FAN MOTOR									1	1	1	1	1			MF
6	G	S70 0B1 105	MOTOR MOUNT		3	3	3	3	3	3	3	3	3	3	3	3	3	3	
	G	S70 0B1 114	TURBO FAN		1	1	1	1											
7	G	S70 0B2 114	TURBO FAN						1	1	1								
	G	S70 0B3 114	TURBO FAN									1	1	1	1	1			
	G	S70 0B3 114	TURBO FAN									1	1	1	1	1			
8	G	S70 08K 097	SPL WASHER / NUT	M8	1	1	1	1	1	1	1					1	1		
	G	S70 10B 097	SPL WASHER / NUT	M6								1	1	1	1	1			
9	G	S70 0B1 480	HEAT EXCHANGER		1	1						1	1						
	G	S70 0B6 480	HEAT EXCHANGER				1						1						
	G	S70 0B2 480	HEAT EXCHANGER					1						1					
	G	S70 0B3 480	HEAT EXCHANGER						1										
	G	S70 0B4 480	HEAT EXCHANGER							1									
	G	S70 0B5 480	HEAT EXCHANGER								1								
	G	S70 0B7 480	HEAT EXCHANGER											1					
10	G	S70 0B8 480	HEAT EXCHANGER												1	1			
	G	S70 0B1 097	FLARE NUT	1/2"	1	1						1	1						
	G	S70 E14 097	FLARE NUT	3/8"											1	1	1		
11	G	S70 E15 097	FLARE NUT	5/8"			1	1	1	1	1			1	1	1			
	G	S70 0B2 202	THERMISTOR		1	1	1	1	1	1	1	1	1	1	1	1	1	1	1
12	G	S70 0B1 688	DRUM 1 ASSY		1	1	1	1				1	1	1	1	1			
	G	S70 0B2 688	DRUM 1 ASSY						1	1	1						1	1	
13	G	S70 0B1 687	BASE		1	1	1	1	1	1	1	1	1	1	1	1	1	1	1

FUNCTIONAL AND ELECTRICAL PARTS

PLA-RP35BA.UK
 PLA-RP50BA.UK
 PLA-RP60BA.UK
 PLA-RP71BA.UK
 PLA-RP100BA.UK
 PLA-RP125BA.UK
 PLA-RP140BA.UK
 PLA-RP35BA₁.UK
 PLA-RP50BA₁.UK
 PLA-RP60BA₁.UK
 PLA-RP71BA₁.UK
 PLA-RP35BA#2.UK
 PLA-RP50BA#2.UK
 PLA-RP60BA#2.UK
 PLA-RP71BA#2.UK
 PLA-RP100BA#2.UK
 PLA-RP125BA#2.UK
 PLA-RP140BA#2.UK
 PLA-RP71BA2.UK
 PLA-RP100BA2.UK
 PLA-RP125BA2.UK



No.	RoHS	Parts No.	Parts Name	Specification	Q'ty/unit				Remarks (Drawing No.)	Wiring Diagram Symbol	Recom- mended Q'ty
					PLA-RP-BA.UK 35/50/60/71/ 100/125/140	PLA-RP-BA.UK 35/50/60/71	PLA-RP-BA2.UK 71/100/125	PLA-RP-BA#2.UK 35/50/60/71/ 100/125/140			
1	G	S70 0B1 529	DRAIN PAN		1	1	1	1			
2	G	S70 0B5 501	ELECTRICAL CONTROL BOX		1	1	1	1			
3	G	S70 K01 716	TERMINAL BLOCK	3P(S1,S2,S3)	1	1	1	1		TB4	
4	G	S70 512 716	TERMINAL BLOCK	2P(1,2)	1	1	1	1		TB5	
5	G	S70 0B7 310	INDOOR CONTROLLER BOAD		1					I.B	
	G	S70 0B8 310	INDOOR CONTROLLER BOAD			1				I.B	
	G	S70 0B9 310	INDOOR CONTROLLER BOAD				1	1		I.B	
6	G	S70 0B1 259	REACTOR		1	1	1	1		DCL	
7	G	S70 29H 523	DRAIN SOCKET		1	1	1	1	Accessory		
8	G	S70 0B1 527	DRAIN HOSE ASSY		1	1	1	1			
9	G	S70 0B1 266	DRAIN SENSOR(Float Switch)		1	1	1	1		FS	
10	G	S70 0B1 533	DARIN SENSOR HOLDER		1	1	1	1			
11	G	S70 0B1 355	DRAIN PUMP		1	1	1	1		DP	
12	G	S70 0B1 502	BELLMOUTH		1	1	1	1			
13	G	S70 A41 524	DRAIN PLUG		1	1	1	1			
14	G	S70 0B1 663	CORNER COVER		1	1	1	1			
15	G	S70 0B1 202	ROOM TEMP. THERMISTOR		1	1	1	1		TH1	

MITSUBISHI ELECTRIC CORPORATION

HEAD OFFICE : TOKYO BLDG., 2-7-3, MARUNOUCHI, CHIYODA-KU, TOKYO 100-8310, JAPAN