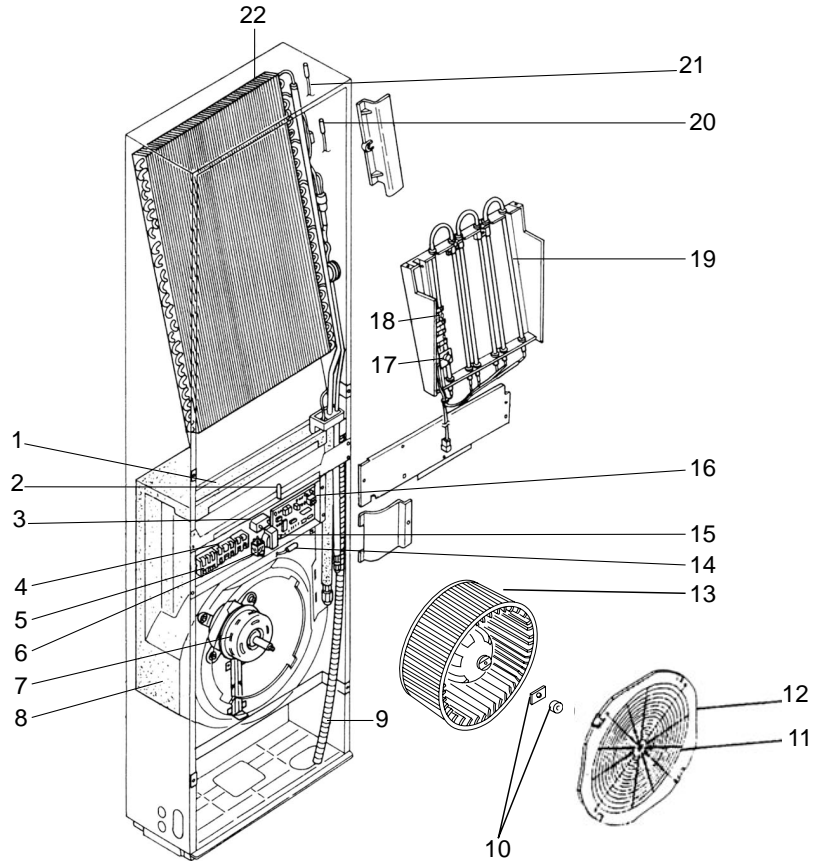


# 13

# PARTS LIST (non-RoHS compliant)

## FUNCTIONAL PARTS

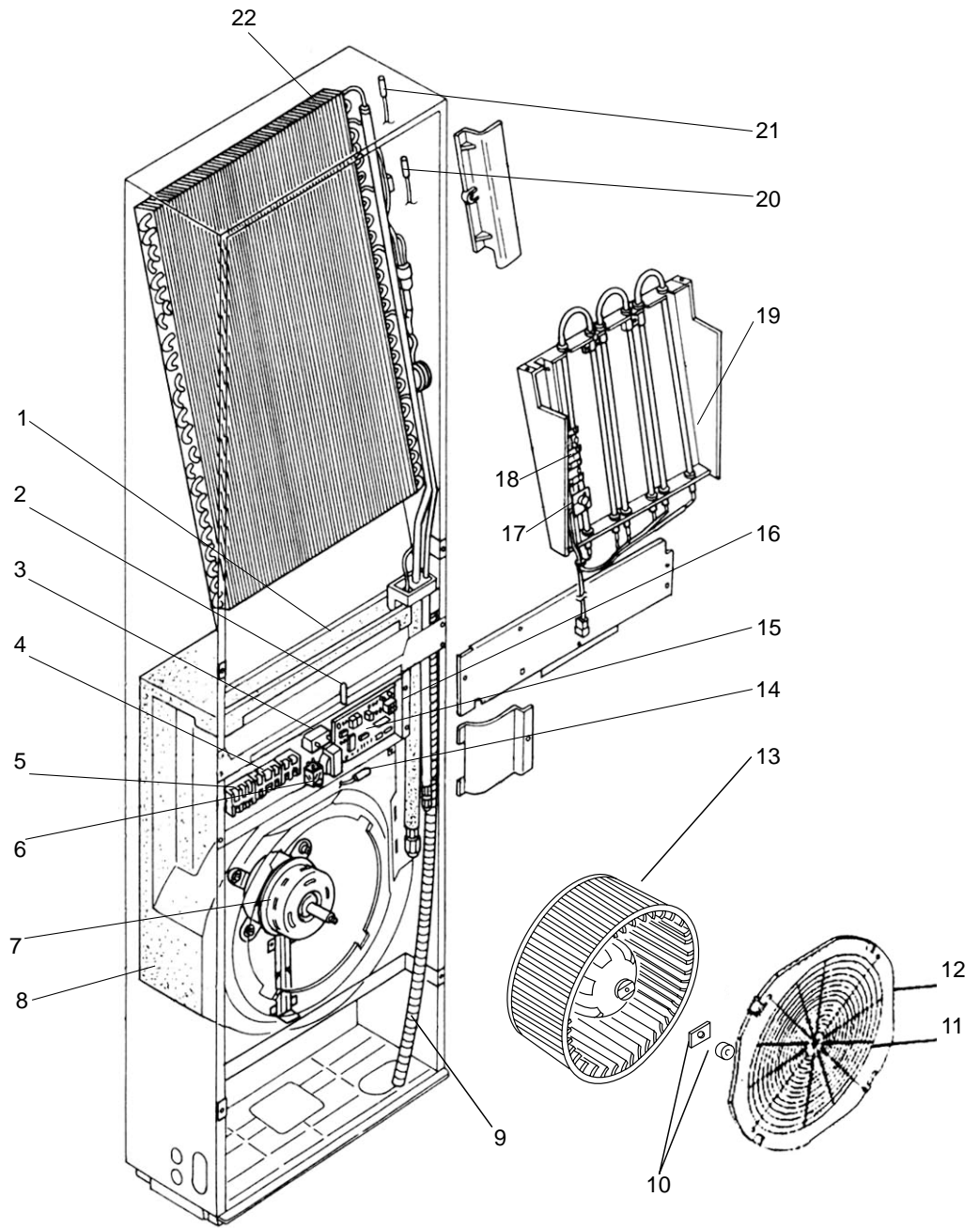
PSH-P71GAH  
 PSH-P100GAH  
 PSA-RP71GA  
 PSA-RP100GA



Part numbers that are circled are not shown in the figure.

No.	Part No.	Part Name	Specification	PSH-P		PSA-RP		Remarks (Drawing No.)	Wiring Diagram Symbol	Recom- mended Q'ty
				71	100	71	100			
				GAH		GA				
1	R01 A28 529	DRAIN PAN		1	1	1	1			
2	R01 E02 239	FUSE	250V 6.3A	1	1	1	1		FUSE	
3	R01 580 255	FAN MOTOR CAPACITOR	3.5 $\mu$ F 440V	1		1			C	
	R01 E01 255	FAN MOTOR CAPACITOR	4.0 $\mu$ F 440V		1		1		C	
4	T7W E23 716	TERMINAL BLOCK	(S1,S2,S3)	1	1	1	1		TB4	
5	T7W A14 716	TERMINAL BLOCK	(L,N, $\ominus$ )	1	1				TB2	
6	R01 71G 215	HEATER RELAY	LY-3F 12VDC	1	1				88H	
7	T7W 551 762	FAN MOTOR	PA8V30-SB	1		1			MF	
	T7W 552 762	FAN MOTOR	PA8V70-SB		1		1		MF	
8	R01 71G 117	SCROLL		1		1				
	R01 85G 117	SCROLL			1		1			
9	R01 71G 527	DRAIN HOSE		1	1	1	1			
10	R01 08K 097	SPL WASHER		1	1	1	1			
11	R01 A28 675	FAN GUARD		1	1	1	1			
12	R01 E00 119	BELL MOUTH		1	1	1	1			
13	R01 71G 114	SIROCCO FAN		1		1				
	R01 85G 114	SIROCCO FAN			1		1			
14	R01 E41 202	THERMISTOR (ROOM TEMPERATURE)		1	1	1	1		TH1	
15	R01 E02 313	POWER BOARD		1	1	1	1		P.B	
16	T7W E41 310	INDOOR CONTROLLER BOARD		1	1	1	1		I.B	
17	R01 110 700	HEATER THERMAL SWITCH	OFF80 $^{\circ}$ C ON60 $^{\circ}$ C	1	1				26H	
18	T7W 23J 706	THERMAL FUSE	110 $^{\circ}$ C 16A 250V	1	1				FS1,2	
19	T7W E02 300	HEATER ELEMENT	700W 80V	3					H	
	T7W E14 300	HEATER ELEMENT	900W 80V		3				H	
20	R01 E44 202	THERMISTOR (PIPE TEMPERATURE)		1	1	1	1		TH2	
21	T7W E23 202	THERMISTOR (COND TEMPERATURE)		1	1	1	1		TH5	
22	T7W E32 480	HEAT EXCHANGER		1		1				
	T7W E33 480	HEAT EXCHANGER			1					
	T7W E59 480	HEAT EXCHANGER				1				
23	T7W E00 675	HEATER GUARD		1						
24	R01 20J 303	INSULATOR		1	1					
25	R01 18J 303	INSULATOR		6	6					

**FUNCTIONAL PARTS**  
**PSH-P125GAH**  
**PSH-P140GAH**  
**PSA-RP125GA**  
**PSA-RP140GA**

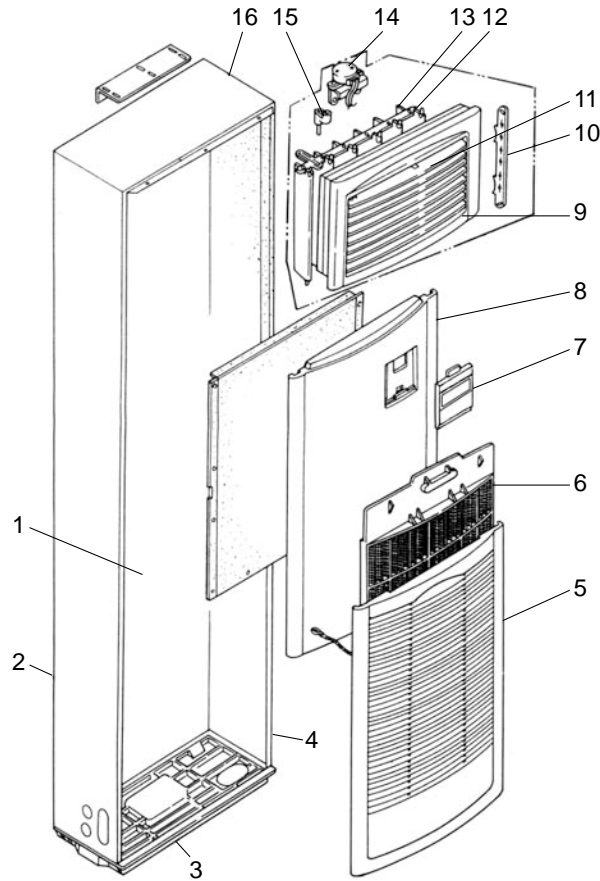


Part numbers that are circled are not shown in the figure.

No.	Part No.	Part Name	Specification	PSH-P		PSA-RP		Remarks (Drawing No.)	Wiring Diagram Symbol	Recom- mended Q'ty
				125	140	125	140			
				GAH	GA					
1	R01 A28 529	DRAIN PAN		1	1	1	1			
2	R01 E02 239	FUSE	250V 6.3A	1	1	1	1		FUSE	
3	R01 736 255	FAN MOTOR CAPACITOR	5.0 $\mu$ F 440V	1	1	1	1		C	
4	T7W E23 716	TERMINAL BLOCK	(S1,S2,S3)	1	1	1	1		TB4	
5	T7W A14 716	TERMINAL BLOCK	(L,N, $\ominus$ )	1	1				TB2	
6	R01 71G 215	HEATER RELAY	LY-3F 12VDC	1	1				88H	
7	T7W 553 762	FAN MOTOR	PA8V110-SB	1		1			MF	
	T7W 554 762	FAN MOTOR	PA8V120-SB		1		1		MF	
8	R01 85G 117	SCROLL		1	1	1	1			
9	R01 71G 527	DRAIN HOSE		1	1	1	1			
10	R01 08K 097	SPL WASHER		1	1	1	1			
11	R01 A28 675	FAN GUARD		1	1	1	1			
12	R01 E00 119	BELL MOUTH		1	1	1	1			
13	R01 85G 114	SIROCCO FAN		1	1	1	1			
14	R01 E41 202	THERMISTOR (ROOM TEMPERATURE)		1	1	1	1		TH1	
15	R01 E02 313	POWER BOARD		1	1	1	1		P.B	
16	T7W E41 310	INDOOR CONTROLLER BOARD		1	1	1	1		I.B	
17	R01 110 700	HEATER THERMAL SWITCH	OFF80 $^{\circ}$ C ON60 $^{\circ}$ C	1	1				26H	
18	T7W 23J 706	THERMAL FUSE	110 $^{\circ}$ C 16A 250V	1	1				FS1,2	
19	T7W 553 300	HEATER ELEMENT	1000W 80V	3	3				H	
20	R01 E44 202	THERMISTOR (PIPE TEMPERATURE)		1	1	1	1		TH2	
21	T7W E23 202	THERMISTOR (COND TEMPERATURE)		1	1	1	1		TH5	
22	T7W E34 480	HEAT EXCHANGER		1						
	T7W E35 480	HEAT EXCHANGER			1					
	T7W E60 480	HEAT EXCHANGER				1				
	T7W E61 480	HEAT EXCHANGER					1			
23	R01 20J 303	INSULATOR		1	1					
24	R01 18J 303	INSULATOR		6	6					

## STRUCTURAL PARTS

PSH-P71GAH  
 PSH-P100GAH  
 PSH-P125GAH  
 PSH-P140GAH  
 PSA-RP71GA  
 PSA-RP100GA  
 PSA-RP125GA  
 PSA-RP140GA



Part numbers that are circled are not shown in the figure.

No.	Part No.	Part Name	Specification	PSH-P		PSA-RP		Remarks (Drawing No.)	Wiring Diagram Symbol	Recom- mended Q'ty
				71	100 125,140	71	100 125,140			
				GAH	GA					
1	R01 71G 676	REAR PANEL		1		1				
	R01 85G 676	REAR PANEL			1		1			
2	T7W E00 662	SIDE PANEL L		1		1				
	T7W E01 662	SIDE PANEL L			1		1			
3	R01 71G 686	BASE		1		1				
	R01 85G 686	BASE			1		1			
4	R01 71G 661	SIDE PANEL R		1		1				
	R01 85G 661	SIDE PANEL R			1		1			
5	R01 E12 691	INTAKE GRILLE		1	1	1	1			
6	R01 A28 500	AIR FILTER		1	1	1	1			
7	T7W E09 713	REMOTE CONTROLLER		1	1	1	1		R.B	
8	R01 71G 651	FRONT PANEL		1	1	1	1			
9	R01 71G 035	GUIDE VANE (H)		8	8					
	T7W E00 035	GUIDE VANE (H)				8	8			
10	R01 71G 019	VANE ARM (H)		1	1	1	1			
11	T7W 87J 003	SWING LOUVER		1	1					
	T7W E00 003	SWING LOUVER				1	1			
12	R01 71G 021	VANE ARM (V)		1	1	1	1			
13	R01 71G 038	GUIDE VANE (V)		6	6					
	T7W E00 038	GUIDE VANE (V)				6	6			
14	T7W 87J 222	LOUVER MOTOR		1	1	1	1		ML	
15	R01 71G 060	CRANK		1	1	1	1			
16	R01 71G 641	TOP PANEL		1		1				
	R01 85G 641	TOP PANEL			1		1			
17	R01 12G 523	DRAIN SOCKET		1	1	1	1			
18	R01 87J 097	KNOB SCREW		1	1	1	1			

## FUNCTIONAL PARTS

PSH-P71GAH

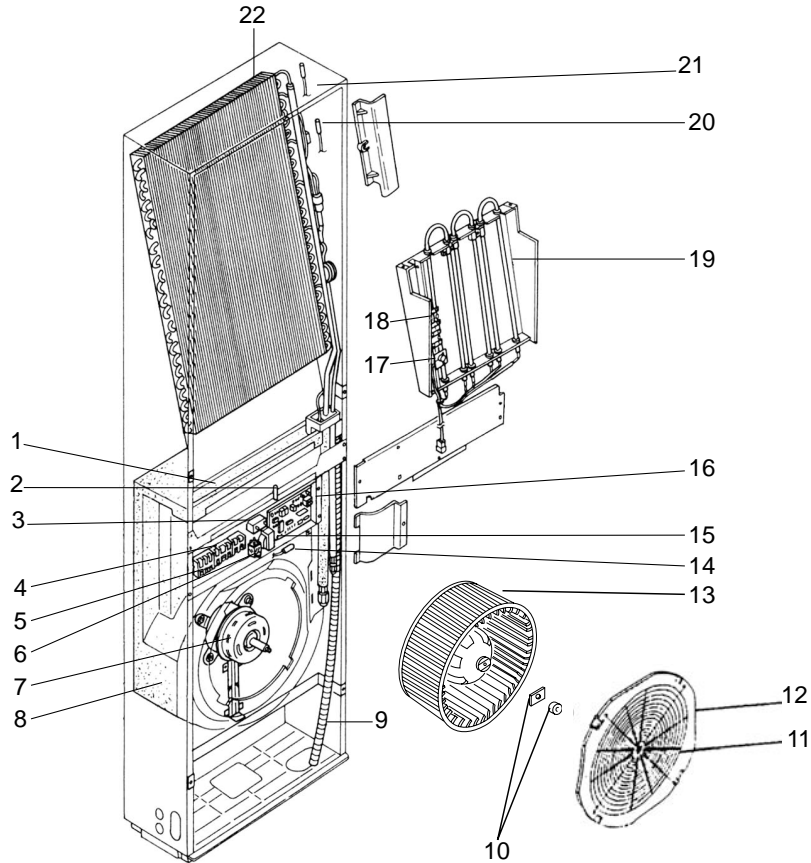
PSA-RP71GA

PSA-RP71GA#1

PSH-P100GAH

PSA-RP100GA

PSA-RP100GA#1



Part numbers that are circled are not shown in the figure.

No.	RoHS	Part No.	Part Name	Specifications	PSH-P		PSA-RP			Remarks (Drawing No.)	Wiring Diagram Symbol	Recom- mended Q'ty
					71	100	71	100	71			
					GAH		GA		GA#1			
1	G	R01 A30 529	DRAIN PAN		1	1	1	1	1	1		
2	G	R01 E06 239	FUSE	250V 6.3A	1	1	1	1	1	1		FUSE
3	G	R01 902 255	FAN MOTER CAPACITOR	3.5 $\mu$ F 440V	1		1		1			C
	G	R01 901 255	FAN MOTER CAPACITOR	4.0 $\mu$ F 440V		1		1		1		C
4	G	T7W E32 716	TERMINAL BLOCK	(L, N, $\oplus$ )	1	1						TB2
5	G	R01 E20 246	TERMINAL BLOCK	(S1, S2, S3)	1	1	1	1	1	1		TB4
6	G	R01 E03 215	HEATER RELAY	LY-3F 12VDC	1	1						88H
7	G	T7W 650 762	FAN MOTOR	PA8V30-SB	1		1		1			MF
	G	T7W 651 762	FAN MOTOR	PA8V70-SC		1		1		1		MF
8	G	R01 90G 117	SCROLL		1		1		1			
	G	R01 91G 117	SCROLL			1		1		1		
9	G	R01 80G 527	DRAIN HOSE		1	1	1	1	1	1		
10	G	R01 09K 097	SPL WASHER		1	1	1	1	1	1		
11	G	R01 A30 675	FAN GUARD		1	1	1	1	1	1		
12	G	R01 E04 119	BELL MOUTH		1	1	1	1	1	1		
13	G	R01 E31 114	SIROCCO FAN		1		1		1			
	G	R01 E27 114	SIROCCO FAN			1		1		1		
14	G	R01 901 202	THERMISTOR(ROOM TEMPERATURE)		1	1	1	1	1	1		TH1
15	G	R01 E38 313	POWER BOARD		1	1	1	1	1	1		P.B
16	G	T7W E51 310	INDOOR CONTROLLER BOARD		1	1	1	1				I.B
	G	T7W E74 310	INDOOR CONTROLLER BOARD						1	1		I.B
17	G	R01 E12 700	HEATER THERMAL SWITCH	OFF80°C ON60°C	1	1						26H
18	G	T7W 25J 706	THERMAL FUSE	110°C 16A 250V	1	1						FS 1, 2
19	G	T7W E19 300	HEATER ELEMENT	700W 80V	3							H
	G	T7W E20 300	HEATER ELEMENT	900W 80V		3						H
20	G	R01 902 202	THERMISTOR(PIPE TEMPERATURE)		1	1	1	1	1	1		TH2
21	G	T7W 900 202	THERMISTOR(COND TEMPERATURE)		1	1	1	1	1	1		TH5
22	G	T7W H48 480	HEAT EXCHANGER		1		1		1			
	G	T7W H49 480	HEAT EXCHANGER			1						
22	G	T7W H52 480	HEAT EXCHANGER				1		1			
	G	T7W H52 480	HEAT EXCHANGER					1		1		
23	G	T7W E17 675	HEATER GUARD		1							
24	G	R01 31J 303	INSULATOR		1	1						
25	G	R01 21J 303	INSULATOR		6	6						

# FUNCTIONAL PARTS

PSH-P125GAH

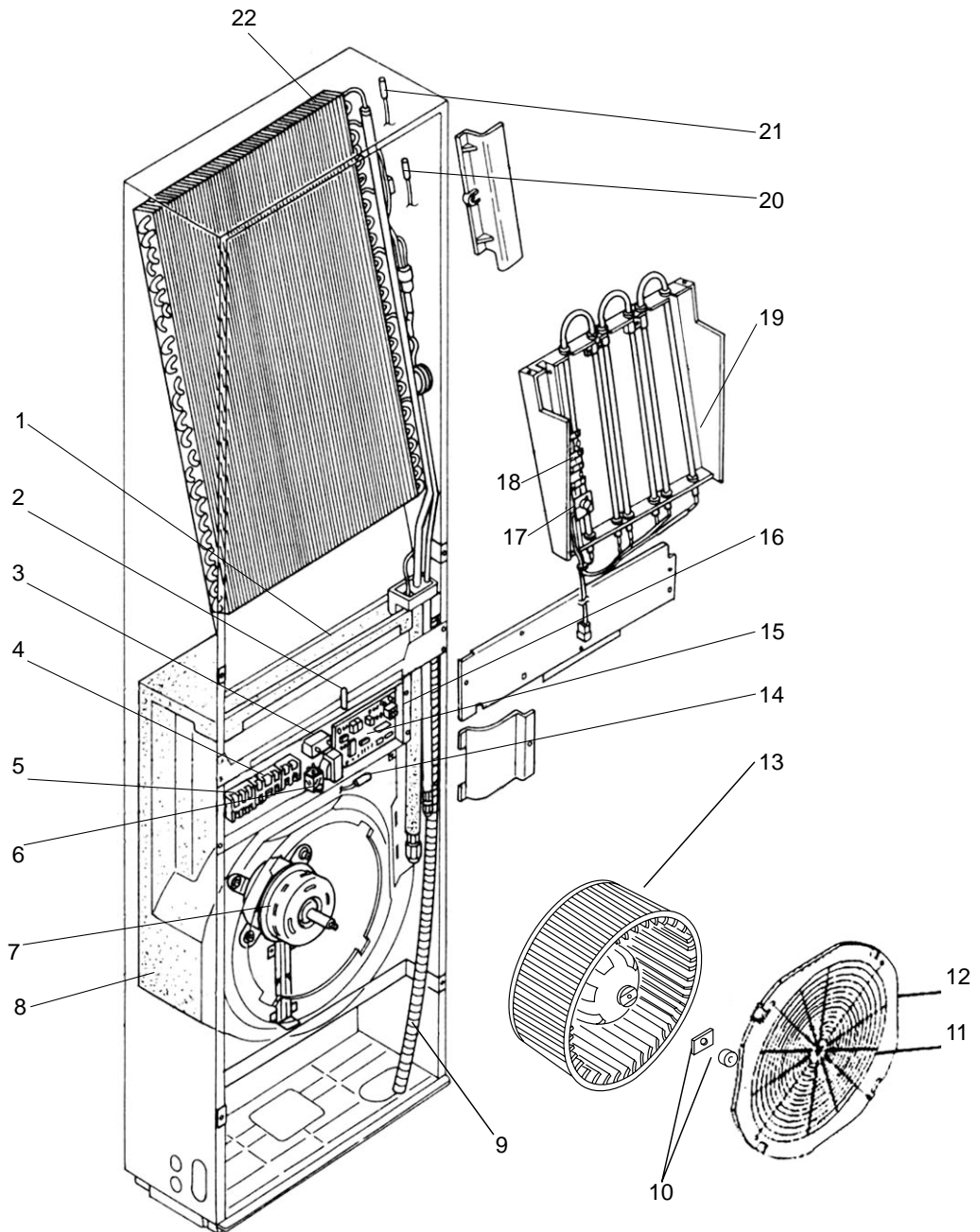
PSA-RP125GA

PSA-RP125GA#1

PSH-P140GAH

PSA-RP140GA

PSA-RP140GA#1



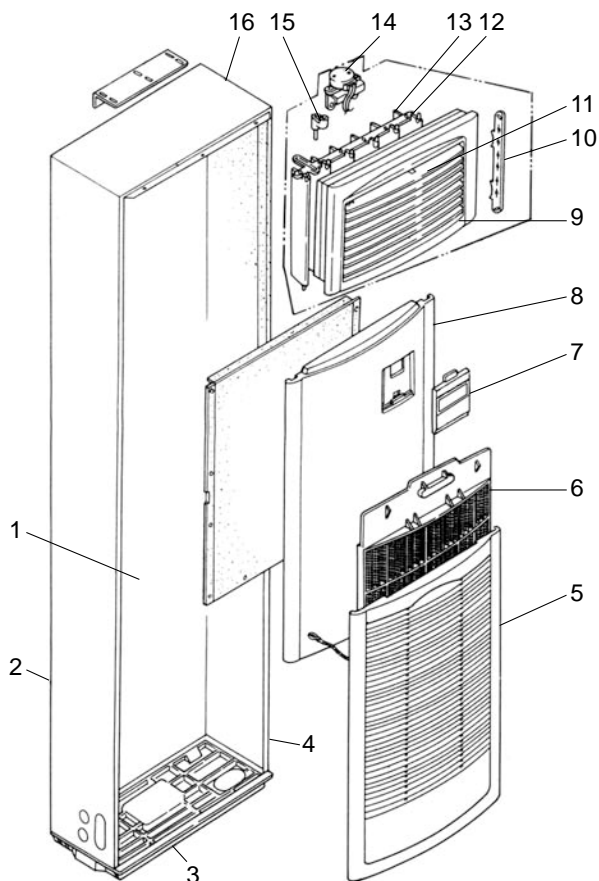


Part numbers that are circled are not shown in the figure.

No.	ROHS	Part No.	Part Name	Specifications	PSH-P		PSA-RP			Remarks (Drawing No.)	Wiring Diagram Symbol	Recom- mended Q'ty	
					125	140	125	140	125				140
					GAH		GA		GA#1				
1	G	R01 A30 529	DRAIN PAN		1	1	1	1	1	1			
2	G	R01 E06 239	FUSE	250V 6.3A	1	1	1	1	1	1		FUSE	
3	G	R01 900 255	FAN MOTER CAPACITOR	5.0 $\mu$ F 440V	1	1	1	1	1	1		C	
4	G	T7W E32 716	TERMINAL BLOCK	(L, N, $\oplus$ )	1	1						TB2	
5	G	R01 E20 246	TERMINAL BLOCK	(S1, S2, S3)	1	1	1	1	1	1		TB4	
6	G	R01 E03 215	HEATER RELAY	LY-3F 12VDC	1	1						88H	
7	G	T7W 652 762	FAN MOTOR	PA8V110-SD	1		1		1			MF	
	G	T7W 653 762	FAN MOTOR	PA8V120-SC		1		1		1		MF	
8	G	R01 91G 117	SCROLL		1	1	1	1	1	1			
9	G	R01 80G 527	DRAIN HOSE		1	1	1	1	1	1			
10	G	R01 09K 097	SPL WASHER		1	1	1	1	1	1			
11	G	R01 A30 675	FAN GUARD		1	1	1	1	1	1			
12	G	R01 E04 119	BELL MOUTH		1	1	1	1	1	1			
13	G	R01 E27 114	SIROCCO FAN		1	1	1	1	1	1			
14	G	R01 901 202	THERMISTOR(ROOM TEMPERATURE)		1	1	1	1	1	1		TH1	
15	G	R01 E38 313	POWER BOARD		1	1	1	1	1	1		P.B	
16	G	T7W E51 310	INDOOR CONTROLLER BOARD		1	1	1	1				I.B	
	G	T7W E74 310	INDOOR CONTROLLER BOARD						1	1		I.B	
17	G	R01 E12 700	HEATER THERMAL SWITCH	OFF80°C ON60°C	1	1						26H	
18	G	T7W 25J 706	THERMAL FUSE	110°C 16A 250V	1	1						FS 1, 2	
19	G	T7W E10 300	HEATER ELEMENT	700W 80V	3	3						H	
20	G	R01 902 202	THERMISTOR(PIPE TEMPERATURE)		1	1	1	1	1	1		TH2	
21	G	T7W 900 202	THERMISTOR(COND TEMPERATURE)		1	1	1	1	1	1		TH5	
22	G	T7W H50 480	HEAT EXCHANGER		1								
	G	T7W H51 480	HEAT EXCHANGER			1							
	G	T7W H53 480	HEAT EXCHANGER				1		1				
	G	T7W H54 480	HEAT EXCHANGER					1		1			
23	G	R01 31J 303	INSULATOR		1	1							
24	G	R01 21J 303	INSULATOR		6	6							

## STRUCTURAL PARTS

PSH-P71GAH  
 PSA-RP71GA  
 PSA-RP71GA#1  
 PSH-P100GAH  
 PSA-RP100GA  
 PSA-RP100GA#1  
 PSH-P125GAH  
 PSA-RP125GA  
 PSA-RP125GA#1  
 PSH-P140GAH  
 PSA-RP140GA  
 PSA-RP140GA#1



Part numbers that are circled are not shown in the figure.

No.	RoHS	Part No.	Part Name	Specification	PSH-P		PSA-RP			Remarks (Drawing No.)	Wiring Diagram Symbol	Recom- mended Q'ty	
					71	100 125,140	71	100 125,140	71				100 125,140
					GAH		GA		GA#1				
1	G	R01 90G 676	REAR PANEL		1		1		1				
	G	R01 91G 676	REAR PANEL			1		1		1			
2	G	T7W E04 662	SIDE PANEL L		1		1		1				
	G	T7W E05 662	SIDE PANEL L			1		1		1			
3	G	R01 90G 686	BASE		1		1		1				
	G	R01 91G 686	BASE			1		1		1			
4	G	R01 90G 661	SIDE PANEL R		1		1		1				
	G	R01 91G 661	SIDE PANEL R			1		1		1			
5	G	R01 E34 691	INTAKE GRILLE		1	1	1	1	1	1			
6	G	R01 A31 500	AIR FILTER		1	1	1	1	1	1			
7	G	T7W E13 713	REMOTE CONTROLLER		1	1	1	1	1	1		R.B	
8	G	R01 90G 651	FRONT PANEL		1	1	1	1	1	1			
9	G	R01 90G 035	GUIDE VANE (H)		8	8							
	G	T7W E01 035	GUIDE VANE (H)				8	8	8	8			
10	G	R01 90G 019	VANE ARM (H)		1	1	1	1	1	1			
11	G	T7W E14 003	SWING LOUVER		1	1							
	G	T7W E15 003	SWING LOUVER				1	1	1	1			
12	G	R01 90G 021	VANE ARM (V)		1	1	1	1	1	1			
13	G	R01 90G 038	GUIDE VANE (V)		6	6							
	G	T7W E01 038	GUIDE VANE (V)				6	6	6	6			
14	G	T7W E03 222	LOUVER MOTOR		1	1	1	1	1	1		ML	
15	G	R01 90G 060	CRANK		1	1	1	1	1	1			
16	G	R01 90G 641	TOP PANEL		1		1		1				
	G	R01 91G 641	TOP PANEL			1		1		1			
17	G	R01 E02 523	DRAIN SOCKET		1	1	1	1	1	1			
18	G	R01 88J 097	KNOB SCREW		1	1	1	1	1	1			