

PARTS CATALOG

Series PSA Floor Standing R410A

Indoor unit
[Model names]

[Service Ref.]

PSA-RP71KA

PSA-RP71KA

PSA-RP100KA

PSA-RP100KA

PSA-RP125KA

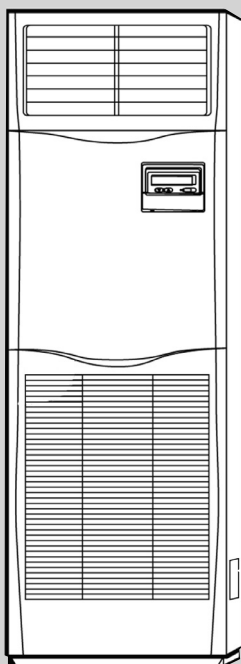
PSA-RP125KA

PSA-RP140KA

PSA-RP140KA

Note:

- RoHS compliant products have <G> mark on the spec name plate.



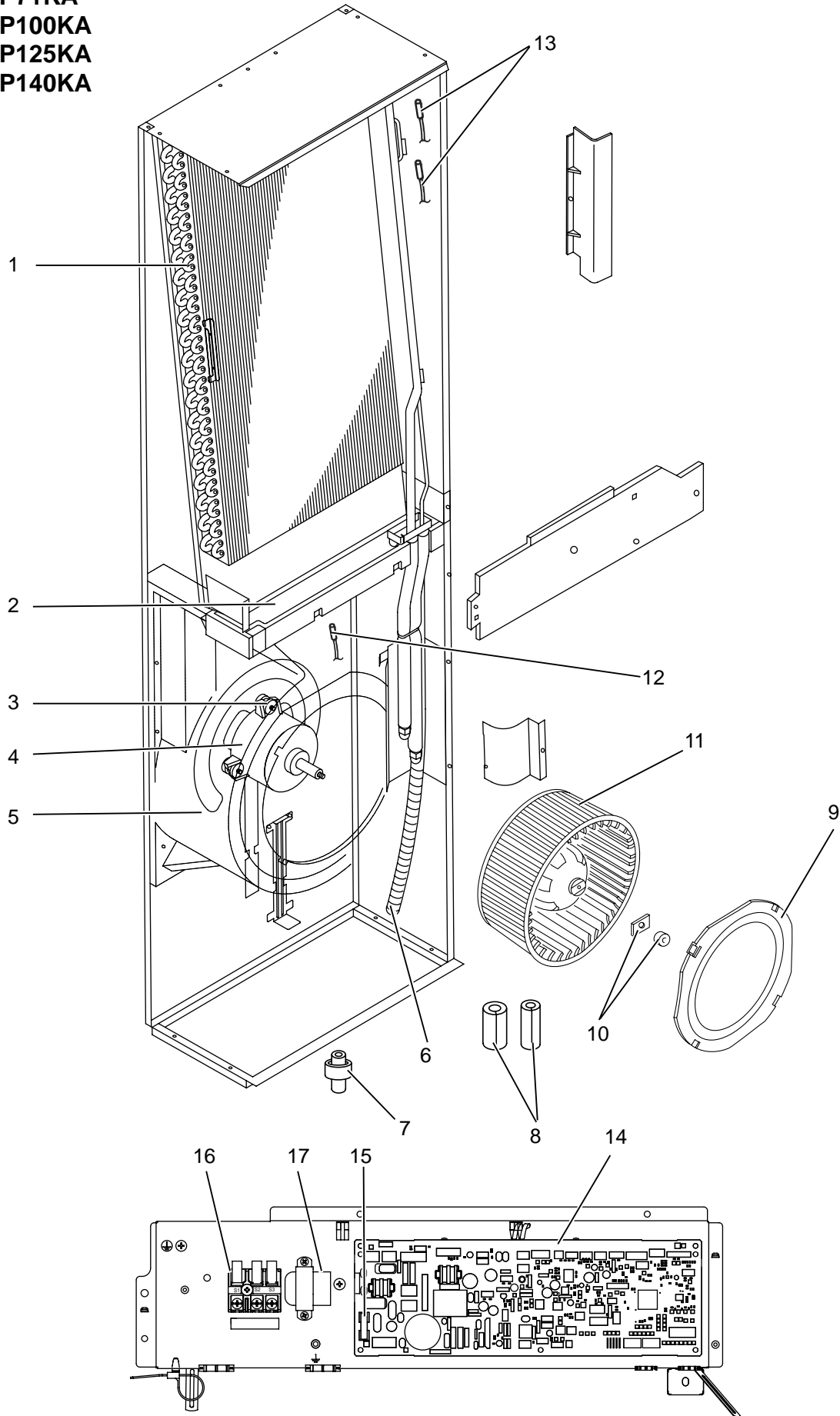
← Model name indication

CONTENTS

1. RoHS PARTS LIST..... 2

PARTS CATALOG (OCH528)

PSA-RP71KA
 PSA-RP100KA
 PSA-RP125KA
 PSA-RP140KA

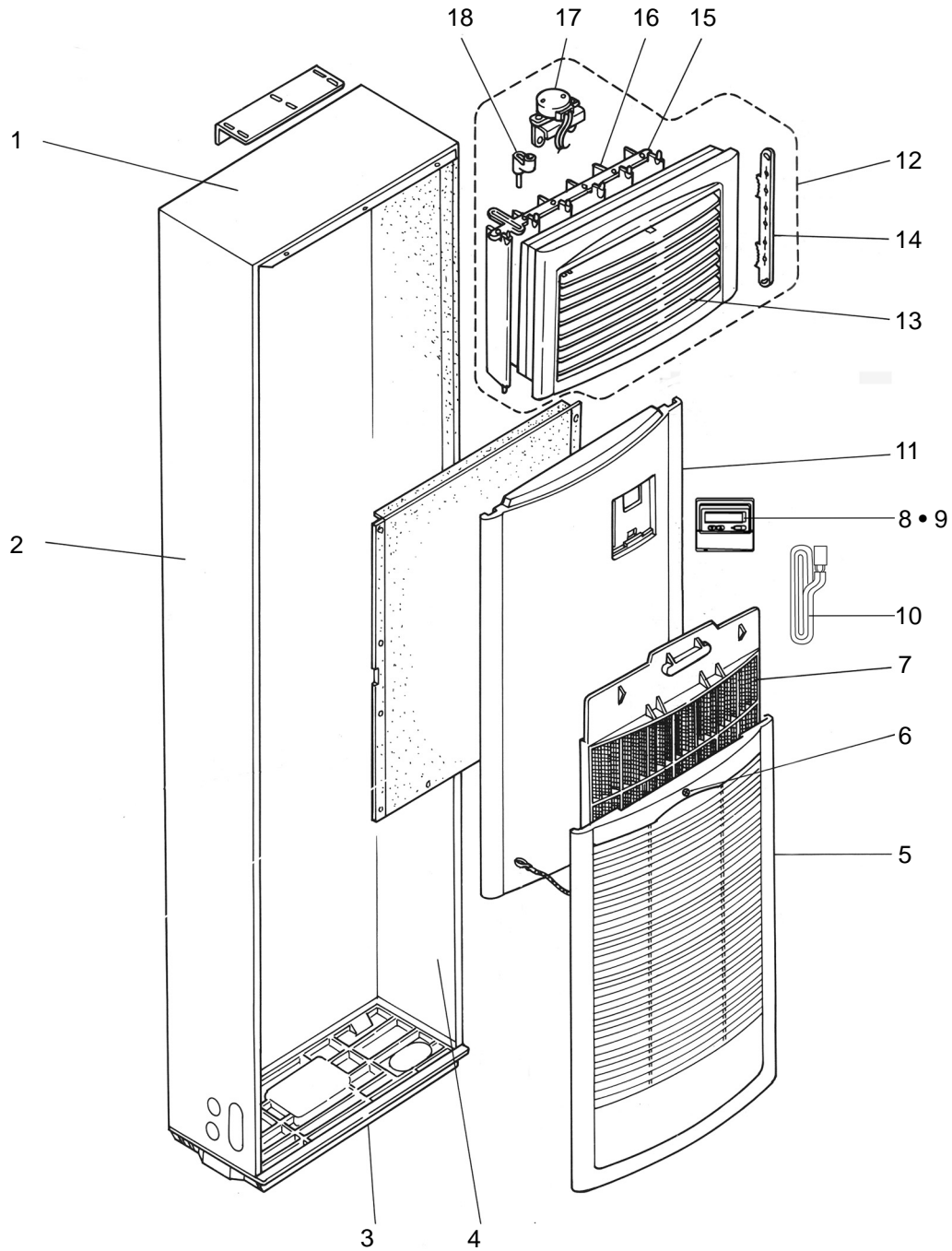


RoHS PARTS LIST

No.	RoHS	Part No.	Parts name	Specification	Q'ty/unit				Remarks	Wiring Diagram Symbol	Recommended Q'ty
					PSA-RP71KA	PSA-RP100KA	PSA-RP125KA	PSA-RP140KA			
1	G	R01 S03 480	HEAT EXCHANGER					1			
	G	R01 S04 480	HEAT EXCHANGER		1	1	1				
2	G	R01 S03 529	DRAIN PAN		1	1	1	1			
3	G	R01 S03 105	MOTOR MOUNT			1	1	1	3PCS		
	G	R01 S04 105	MOTOR MOUNT		1						
4	G	R01 S03 220	FAN MOTOR			1	1	1	WITH MOTOR MOUNT SET	MF	
	G	R01 S04 220	FAN MOTOR		1					MF	
5	G	R01 S03 117	SCROLL		1	1	1	1			
6	G	R01 80G 527	DRAIN HOSE		1	1	1	1			
7	G	R01 E02 523	DRAIN SOCKET		1	1	1	1			
8	G	R01 S00 660	PIPE COVER		1	1	1	1	FOR GAS&LIQUID/ CONNECT TO THE FIELD PIPING		
9	G	R01 E06 119	BELL MOUTH		1	1	1	1			
10	G	R01 11K 097	SPL WASHER		1	1	1	1	NUT&WASHER		
11	G	R01 S03 114	SIROCCO FAN		1	1	1	1			
12	G	R01 E90 202	THERMISTOR (ROOM TEMP.)		1	1	1	1		TH1	
13	G	R01 L00 202	THERMISTOR (PIPE TEMP., COND./EVA. TEMP.)		1	1	1	1		TH2,TH5	
14	G	T7W C05 310	INDOOR CONTROLLER BOARD		1	1	1	1		I.B	
15	G	R01 E14 239	FSL	6.3A 250V	1	1	1	1		FUSE	
16	G	R01 E20 246	TERMINAL BLOCK	3P (S1,S2,S3)	1	1	1	1		TB4	
17	G	T7W E14 259	REACTOR		1	1	1	1		DCL	

RoHS PARTS LIST

PSA-RP71KA
PSA-RP100KA
PSA-RP125KA
PSA-RP140KA



7SK001-A01

RoHS PARTS LIST

No.	RoHS	Part No.	Parts name	Specification	Q'ty/unit				Remarks	Wiring Diagram Symbol	Recommended Q'ty
					PSA-RP71KA	PSA-RP100KA	PSA-RP125KA	PSA-RP140KA			
1	G	R01 E25 641	TOP PANEL		1	1	1	1			
2	G	R01 E23 662	SIDE PANEL (L)		1	1	1	1			
3	G	R01 E38 686	BASE		1	1	1	1			
4	G	R01 E42 661	SIDE PANEL (R)		1	1	1	1			
5	G	R01 E51 691	INTAKE GRILLE		1	1	1	1			
6	G	R01 E11 097	PAINT SCREW		1	1	1	1	FOR GRILLE		
7	G	R01 E21 500	AIR FILTER		1	1	1	1			
8	G	R01 E04 049	REMOTE CONTROLLER COVER		1	1	1	1	CASE&COVER		
9	G	T7W E09 713	REMOTE CONTROLLER		1	1	1	1		R.B	
10	G	R01 E05 305	LEAD ASSY		1	1	1	1			
11	G	T7W S03 651	FRONT PANEL		1	1	1	1			
12	G	R01 S03 003	SWING LOUVER		1	1	1	1			
13	G	R01 E03 035	GUIDE VANE (H)		8	8	8	8			
14	G	R01 E03 021	VANE ARM (H)		1	1	1	1			
15	G	R01 E04 019	VANE ARM (V)		1	1	1	1			
16	G	R01 E05 038	GUIDE VANE (V)		6	6	6	6			
17	G	R01 S03 222	LOUVER MOTOR		1	1	1	1		ML	
18	G	R01 E01 060	CRANK		1	1	1	1			

Mr. SLIM™

mitsubishi electric corporation

HEAD OFFICE : TOKYO BLDG., 2-7-3, MARUNOUCHI, CHIYODA-KU, TOKYO 100-8310, JAPAN