

Air Conditioning

Product Information

SEZ-KD50VAQ : Inverter Heat Pump

R410A Ceiling Concealed Ducted System



Designed for homes, offices, restaurants or shops, the SEZ series operates at low noise levels and is virtually invisible when installed within a suspended ceiling. Its low unit height and lightweight design also helps to make installation easier and more convenient.

FEATURES



INDOOR

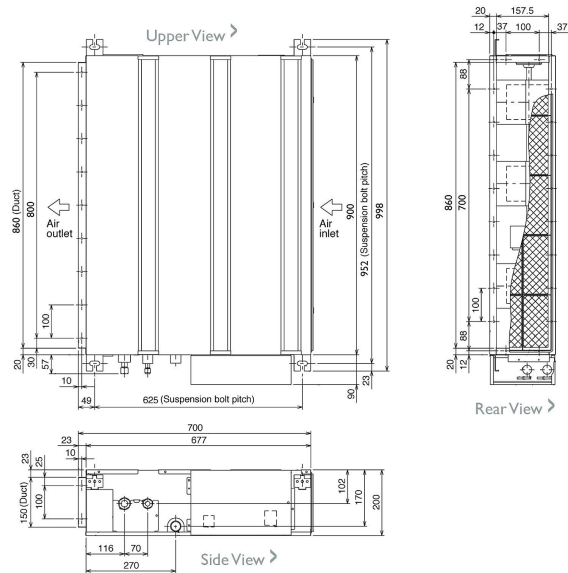
Heating Capacity (kW) (nominal)	6.4 (1.1 - 7.2)
Cooling Capacity (kW) (nominal)	5.1 (1.1 - 5.6)
Heating Capacity (kW) (UK)	5.3 (0.9 - 6)
Cooling Capacity (kW) (UK)	5.05 (1.1 - 5.55)
SHF (nominal and UK)	0.78
COP / EER (nominal)	3.54 / 3.11
SCOP / SEER	3.9 / 5.2
Energy Efficiency Class - Heating / Cooling	A / A
Airflow (m ³ /min) Lo-Mi-Hi	10 - 13 - 15
Pipe Size Gas (mm [in])	12.7 (1/2")
Pipe Size Liquid (mm [in])	6.35 (1/4")
External Static Pressure (Pa)	5-15-35-50
Sound Pressure Level (dBA) Lo-Mi-Hi	29 - 33 - 36
Sound Power Level (dBA) Cooling	57
Dimensions (mm) Width x Depth x Height	990 x 700 x 200
Weight (kg)	23
Electrical Supply	FED BY OUTDOOR UNIT
Phase	SINGLE
Fuse Rating (BS88) - HRC (A)	6
Interconnecting Cable No. Cores	4

OUTDOOR

Sound Pressure Level (dBA) Heating / Cooling	52 / 52
Sound Power Level (dBA) Cooling	65
Weight (kg)	54
Dimensions (mm) Width x Depth x Height	840 x 330 x 880
Electrical Supply	220-240V, 50HZ
Phase	SINGLE
System Power Input (kW) - Heating / Cooling (nominal)	1.81 / 1.64
System Power Input (kW) - Heating / Cooling (UK)	1.49 / 1.45
Starting Current (A)	7.57
System Running Current (A) [MAX] - Heating / Cooling	7.05 / 7.31 [12.7]
Fuse Rating (BS88) - HRC (A)	20
Mains Cable No. Cores	3
Max Pipe Length (m)	30
Max Height Difference (m)	30
Charge R410A (kg) - Pre charged length (m)	1.45 - 7

DIMENSIONS

SEZ-KD50VAQ



DIMENSIONS

SUZ-KA50VA3

