

Air-Conditioners

SLZ-A09, A12, A18AR

OPERATION MANUAL

FOR USER

For safe and correct use, please read this operation manual thoroughly before operating the air-conditioner unit.

BEDIENUNGSHANDBUCH

FÜR BENUTZER

Zum sicheren und einwandfreien Gebrauch der Klimaanlage dieses Bedienungshandbuch vor Inbetriebnahme gründlich durchlesen.

MANUEL D'UTILISATION

POUR L'UTILISATEUR

Pour une utilisation correcte sans risques, veuillez lire le manuel d'utilisation en entier avant de vous servir du climatiseur.

BEDIENINGSHANDLEIDING

VOOR DE GEBRUIKER

Voor een veilig en juist gebruik moet u deze bedieningshandleiding grondig doorlezen voordat u de airconditioner gebruikt.

MANUAL DE INSTRUCCIONES

PARA EL USUARIO

Lea este manual de instrucciones hasta el final antes de poner en marcha la unidad de aire acondicionado para garantizar un uso seguro y correcto.

ISTRUZIONI DI FUNZIONAMENTO

PER L'UTENTE

Leggere attentamente questi istruzioni di funzionamento prima di avviare l'unità, per un uso corretto e sicuro della stessa.

ΕΓΧΕΙΡΙΔΙΟ ΟΔΗΓΙΩΝ ΧΡΗΣΕΩΣ

ΓΙΑ ΤΟΝ ΧΡΗΣΤΗ

Για ασφάλεια και σωστή χρήση, παρακαλείστε διαβάσετε προσεχτικά αυτό το εγχειρίδιο χρήσεως πριν θέσετε σε λειτουργία τη μονάδα κλιματισμού.

MANUAL DE OPERAÇÃO

PARA O UTILIZADOR

Para segurança e utilização correctas, leia atentamente o manual de operação antes de pôr a funcionar a unidade de ar condicionado.

DRIFTSMANUAL

FÖR ANVÄNDAREN

Läs denna driftsmanual noga för säkert och korrekt bruk innan luftkonditioneringen används.

English

Deutsch

Français

Nederlands

Español

Italiano

Ελληνικά

Português

Svenska

Contents

1. Safety Precautions	2
2. Operation	3
3. Care and cleaning	5
4. Troubleshooting	6
5. Installation, relocation and inspection	6
6. Specifications	7

1. Safety Precautions

- ▶ Before installing the unit, make sure you read all the “Safety precautions”.
- ▶ The “Safety precautions” provide very important points regarding safety. Make sure you follow them.
- ▶ Please report to or take consent by the supply authority before connection to the system.

Symbols used in the text

⚠ Warning:

Describes precautions that should be observed to prevent danger of injury or death to the user.

⚠ Caution:

Describes precautions that should be observed to prevent damage to the unit.

Symbols used in the illustrations

- ⊘ : Indicates an action that must be avoided.
- ❗ : Indicates that important instructions must be followed.
- ⚡ : Indicates a part which must be grounded.
- ⚠ : Indicates that caution should be taken with rotating parts.
- ⚡ : Indicates that the main switch must be turned off before servicing.
- ⚠ : Beware of electric shock.
- ⚠ : Beware of hot surface.

⚠ Warning:

Carefully read the labels affixed to the main unit.

⚠ Warning:

- The unit should not be installed by the user. Ask the dealer or an authorized company to install the unit. If the unit is installed improperly, water leakage, electric shock or fire may result.
- Do not stand on, or place any items on the unit.
- Do not splash water over the unit and do not touch the unit with wet hands. An electric shock may result.
- Do not spray combustible gas close to the unit. Fire may result.
- Do not place a gas heater or any other open-flame appliance where it will be exposed to the air discharged from the unit. Incomplete combustion may result.
- Ventilate the room if refrigerant leaks during operation.
If the refrigerant comes in contact with a flame, poisonous gases will be released.
- Do not remove the front panel or the fan guard from the outdoor unit when it is running. You could be injured if you touch rotating, hot or high-voltage parts.
- Never insert fingers, sticks etc. into the intakes or outlets, otherwise injury may result, since the fan inside the unit rotates at high speed.
- If you detect odd smells, stop using the unit, turn off the power switch and consult your dealer.
- This air conditioner is NOT intended for use by children or infirm persons without supervision.
- Young children should be supervised to ensure that they do not play with the air conditioner.

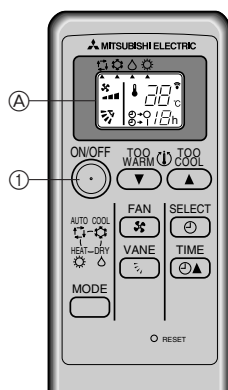
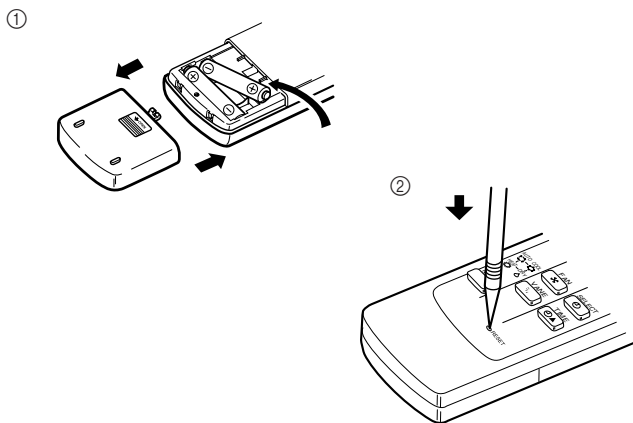
⚠ Caution:

- Do not use any sharp object to push the buttons, as this may damage the remote controller.
- Never block or cover the indoor or outdoor unit's intakes or outlets.

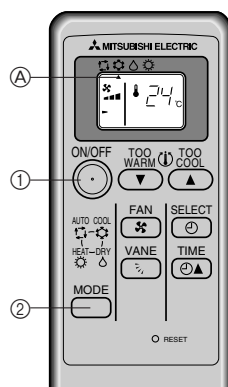
Disposing of the unit

When you need to dispose of the unit, consult your dealer. If pipes are removed incorrectly, refrigerant (fluorocarbon gas) may blow out and come into contact with your skin, causing injury. Releasing refrigerant into the atmosphere also damages the environment.

2. Operation



For SLZ-A09/A12/A18AR



For SLZ-A09/A12/A18AR

2.1. Description of "AUTO RESTART FUNCTION"

- This unit is equipped with the auto restart function. When the main power is turned on, the air conditioner will start operation automatically in the same mode as set with the remote controller before the shutoff of main power.
- If the unit was set to off with the remote controller before the shutoff of main power, it will remain stopped even after the main power is turned on.
- If the unit was in the TEST RUN before the shutoff of main power, it will start operation, at main power on, in the same mode as set with the remote controller before the TEST RUN.

2.2. Remote controller (How to set the batteries)

- ① Remove the back lid and insert batteries. Then reattach the back lid.
 - Insert the minus pole of the batteries first.
 - Check if the polarity of the batteries is correct.
- ② Press the RESET button.
 - If the RESET button is not pressed, the remote controller may not operate correctly.
 - Press using a thin stick.

2.3. Switching the unit on/off

- The power supply should not be turned off while the air conditioner is in use. This can cause the unit to break down.
 - ① Press the ON/OFF button.
- Even if you press the ON/OFF button immediately after shutting down the operation in progress, the air conditioner will not start for about three minutes. This is to prevent the internal components from being damaged.
 - Ⓐ For the after-mentioned operating functions of the remote controller, all items are indicated in this illustration.

Note:

The signal can travel up to approximately 7meters (in a straight line) within 45 degrees to both right and left of the center line of the receiver. In addition, the signal may not be received if there is interference of light of fluorescent lights or strong sunlight.

2.4. Mode select

- ① If the unit is off, press the ON/OFF button to turn it on.
- ② Press the operation mode button and select the operation mode. Each time the operation mode button is pressed the ▲ moves. (Ⓐ)

■ SLZ-A09/A12/A18AR

- Automatic (cooling/heating) mode
- Cooling mode
- Drying mode
- Heating mode

Information for multi system air conditioner (Outdoor unit: MXZ series)

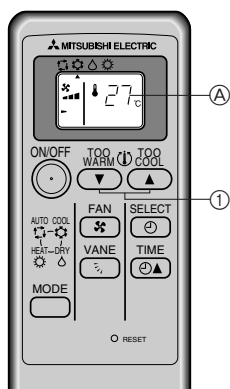
► Multi system air conditioner (Outdoor unit: MXZ series) can connect two or more indoor units with one outdoor unit. According to the capacity, two or more units can operate simultaneously.

- When you try to operate two or more indoor units with one outdoor unit simultaneously, one for the cooling and the other for heating, the operation mode of the indoor unit that operates earlier is selected. The other indoor units that will start the operation later cannot operate, indicating an operation state.

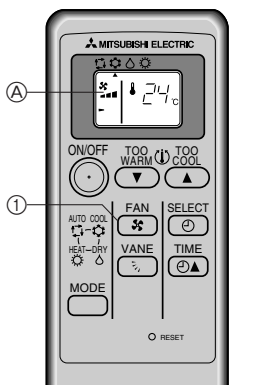
In this case, please set all the indoor units to the same operation mode.

- There might be a case that the indoor unit, which is operating in (AUTO) mode. Cannot change over to the operating mode (COOL ↔ HEAT) and becomes a state of standby.
- When indoor unit starts the operation while the defrosting of outdoor unit is being done, it takes a few minutes (max. about 15 minutes) to blow out the warm air.
- In the heating operation, though indoor unit that does not operate may get warm or the sound of refrigerant flowing may be heard, they are not malfunction. The reason is that the refrigerant continuously flows into it.

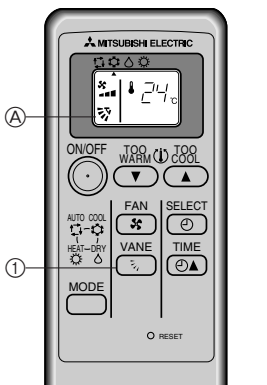
2. Operation



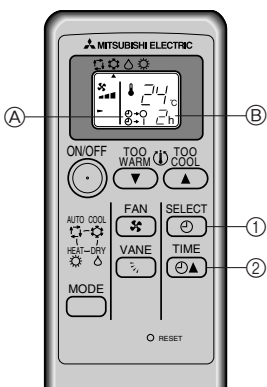
For SLZ-A09/A12/A18AR



For SLZ-A09/A12/A18AR



For SLZ-A09/A12/A18AR



For SLZ-A09/A12/A18AR

2.5. Selecting a temperature

► To decrease the room temperature:

- ① Press button to set the desired temperature.
- Ⓐ The selected temperature is displayed.
- Each time you press the button, the temperature value decreases by 1 °C.

► To increase the room temperature:

- ① Press button to set the desired temperature.
- Ⓐ The selected temperature is displayed.
- Each time you press the button, the temperature value increases by 1 °C.

- Available temperature ranges are as follows:

Cooling/Drying:	19 - 30 °C
Heating:	17 - 28 °C
Automatic:	19 - 28 °C

2.6. Selecting a fan speed

- ① Press button to select a desired fan speed.
- Each time you press the button, available options change with the display Ⓐ on the remote controller, as shown below.

Fan speed	Remote controller display		
	Low	Medium	High
3-stage	↓ 	→ 	→

In the following situations, the display differs from the fan speed of the unit.

- In the case of DEFROST/STAND BY lamp lighting of the unit.
- Just after the heating mode (while waiting to change to another mode).
- When the temperature of the room is higher than the temperature setting of the unit operating in the heating mode.
- In drying mode, the indoor fan sometimes stops.

2.7. Adjusting vertical airflow direction

The vertical air vane helps select the vertical direction of the airflow.

- ① Press button to select the vertical airflow direction.
- Ⓐ Each time you press the button, the option changes are displayed on the remote controller, as shown below.



- ① Horizontal airflow 30°
- ② Downward airflow 45°
- ③ Downward airflow 55°
- ④ Downward airflow 70°
- ⑤ Swing

- In either cooling or drying mode, if you select ② or ③ or ④ when the fan speed is Low or Medium, the air conditioner will switch automatically to Horizontal airflow ① mode after one hour.

In the following situations, the display differs from the vertical airflow direction of the unit.

- In the case of DEFROST/STAND BY lamp lighting of the unit.
- When the temperature of the room is higher than the temperature setting of the unit operating in the heating mode.

2.8. Using the timer

It is convenient to set the timer when you go to bed, when you get home, when you get up, etc.

- ① Select the timer mode by pressing the button during operation.
 - Ⓐ Each time this button is pressed, the timer mode is changed in sequence:
 - ⊙ → ○ (OFF TIMER) → ⊙ → | (ON TIMER) → TIMER RELEASE
- ② Set the time of the timer using the button.
 - Ⓑ Each time this button is pressed, the set time increases by 1 hour to 12 hours.

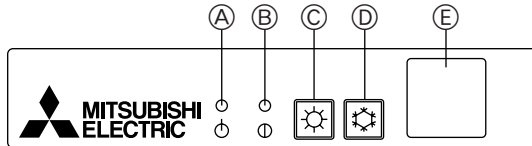
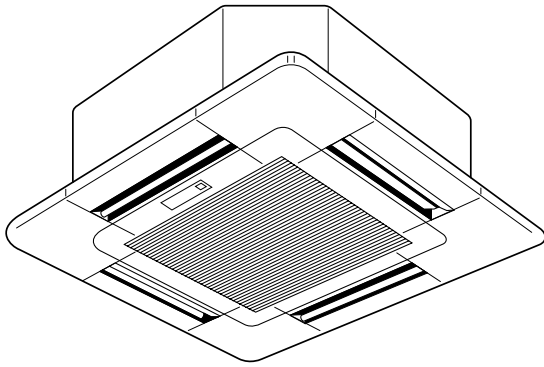
To release the timer:

- Press the button until ⊙ → ○ (OFF TIMER) and ⊙ → | (ON TIMER) are not displayed.

Note:

The OFF TIMER and the ON TIMER cannot be set at the same time.

2. Operation



2.9. Emergency operation

When the remote controller cannot be used

When the batteries of the remote controller run out or the remote controller malfunctions, the emergency operation can be done using the emergency buttons on the grille.

- Ⓐ DEFROST/STAND BY lamp
- Ⓑ Operation lamp
- Ⓒ Emergency operation switch (heating)
- Ⓓ Emergency operation switch (cooling)
- Ⓔ Receiver

Starting operation

- To operate the cooling mode, press the ❄ button Ⓓ.
- To operate the heating mode, press the ☀ button Ⓒ.

Note:

- Details of emergency mode are as shown below.

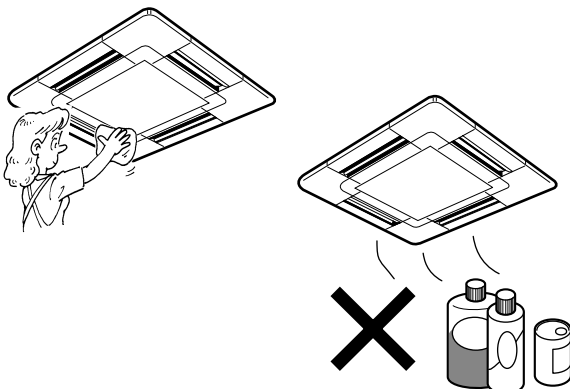
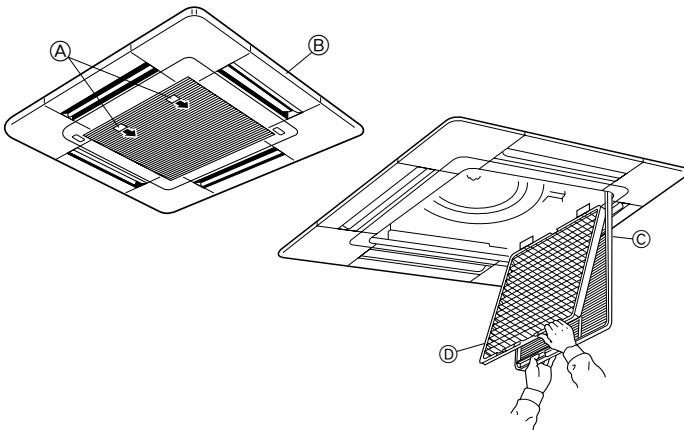
Details of EMERGENCY MODE are as shown below. However, the temperature control does not work for 30 minutes in test run and the unit is set to continuous operation. The fan speed is set to High in test run and shifts to Medium after 30 minutes.

Operation mode	COOL	HEAT
Set temperature	24°C	24°C
Fan speed	med.	med.
Airflow direction	Horizontal 30°	Downward 70°

Stopping operation

- To stop operation, press the ❄ button Ⓓ or the ☀ button Ⓒ.

3. Care and cleaning



⚠ Caution:

- Always turn off the power, first on the remote controller and then the main switch, before cleaning or servicing the unit.
- When installing or removing the filter or the intake grille, do not stand on an unsteady surface. You may fall and injure yourself. Be also careful not to let dust fall into your eyes.

Dirty or clogged filters block the airflow and reduce efficiency. Very dirty filters can damage the air-conditioner itself.

Intake grille removal

- ① Pull the catch on the intake grille in the direction indicated by the arrow and it should open.
- ② Unhook the hinges to remove the intake grille from the grille.

Filter removal

- ① Open the intake grille.
- ② Release the catch on the center edge of the intake grille and pull the filter forward to remove the filter.

Ⓐ Catch Ⓑ Grille Ⓒ Intake grille Ⓓ Filter

3.1. Cleaning the filters and the indoor unit

Cleaning the filter

- Clean the filter using a vacuum cleaner. If you do not have a vacuum cleaner, tap the filter against a solid object to knock off dirt and dust.
- If the filter is especially dirty, wash it in lukewarm water. Take care to rinse off any detergent thoroughly and allow the filter to dry completely before putting it back into the unit.

⚠ Caution:

- Do not dry the filter in direct sunlight or by using a heat source, such as an electric heater: this may warp it.
- Do not wash the filter in hot water (above 50°C), as this may warp them.
- Make sure that the air filter is always installed. Operating the unit without air filter can cause malfunction.

Cleaning the indoor unit

- Wipe the outside of the unit with a clean, dry, soft cloth.
- Clean off any oil stains or finger marks using a neutral household detergent (such as dishwashing liquid or laundry detergent).

⚠ Caution:

Never use gasoline, benzene, thinner, scouring powder or any type of non-neutral detergent, as these substances may damage the unit's case.

4. Troubleshooting

Before you call out a repair man, check the following table to see whether there is a simple solution to your problem.

Problem	Solution	Problem	Solution
Unit does not cool or heat very well.	Clean the filter.	The operation lamp of the wireless remote controller's receiver is flashing.	A self-diagnostic function is being performed to preserve the air conditioner. * Do not attempt to make repairs yourself. Turn the main switch off and contact the dealer from whom you bought the air conditioner. Provide him or her with the name of the unit and the number of times the operation lamp of the wireless remote controller's receiver flashes.
The airflow direction suddenly changes.	After one hour of cooling mode or drying mode operation with the airflow in a downward direction, the unit will automatically change to the "Horizontal airflow" mode. When the unit is in the heating or defrosting mode, it will automatically change to the "Horizontal airflow" mode.	Unit operates even if ON/OFF button has not been pressed.	It occurs for the AUTO RESTART FUNCTION mode. Press the ON/OFF button to stop operation.
A white mist is expelled from the indoor unit.	This may occur just after the unit is turned on when a high level of humidity is present in the room.	No indication of wireless remote controller, indication is dim, or signal transmission cannot reach remote controller sensor.	The batteries have run out. Replace the batteries with new ones (size AAA), and then press the reset button. Though both alkaline batteries and manganese batteries can be used, alkaline batteries are recommended because their service life is longer than that of manganese batteries. * If indication is not detected even when new batteries have been replaced, check that the batteries have been installed properly.
The air conditioner cannot be operated for about 3 minutes when restarted.	This protects the air conditioner according to instructions from the microprocessor. Please wait.		
Air does not blow out soon in the heating operation.	Please wait as the air conditioner is preparing to blow out warm air.		
The start and stop functions are not available just after restarting the unit.	Wait about three minutes (operation has stopped to prevent damage to the air conditioner).		
The operation is stopped for about 10 minutes in the heating operation.	Defrosting of the outdoor unit is being done (Defrosting operation). Since this is completed in 10 minutes, please wait. (When the external temperature is too low and humidity is too high, frost is formed.)		

If none of the above apply, turn the main switch off and contact the dealer from whom you bought the air-conditioner, telling him the model name and the nature of the problem. Do not try to fix the unit yourself.

In any of the following cases, turn off the main power switch and contact your local dealer for service:

- The operation lamp (on the main unit) flashes.
- The switches do not work properly.
- The circuit breaker trips frequently (or the fuse blows frequently).
- Water has accidentally been splashed into the unit.
- Water leaks from the unit.
- Something is accidentally dropped into the air-conditioner.
- An unusual noise is heard during operation.

The following do not indicate any malfunction:

Odours: smells such as tobacco or cosmetic odours may persist after they have been sucked into the unit.

Sound of liquid flowing inside indoor unit: this can occur during or after operation and is simply the sound of refrigerant being circulated inside the unit.

Ticking sound coming from indoor unit: this can occur when cooling or heating has just begun or has just stopped. It is caused by the indoor unit shrinking or expanding slightly due to the change in temperature.

5. Installation, relocation and inspection

Installation place

Avoid installing the air conditioner in the following places.

- Where flammable gas could leak.

⚠ Caution:

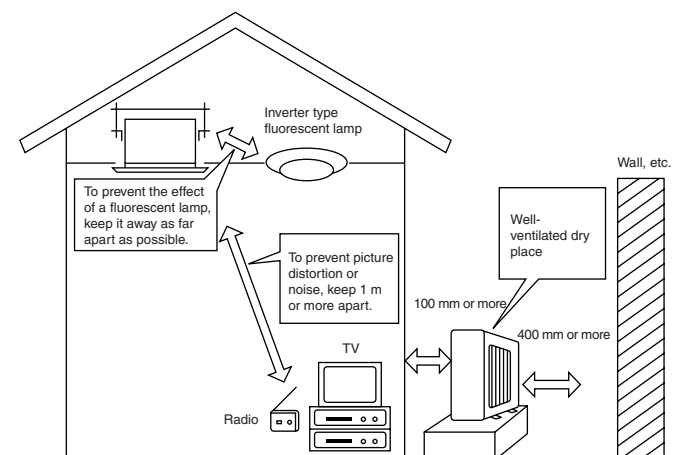
Do not install the unit where flammable gas could leak. If gas leaks and collects around the unit, it may cause an explosion.

- Where there is much machine oil.
- Salty place such as the seaside.
- Where sulfide gas is generated such as a hot spring.
- Where there is oil splashing or much oily smoke.

⚠ Warning:

If the air conditioner operates but does not cool or heat (depending on model) the room, consult your dealer since there may be a refrigerant leak. Be sure to ask the service representative whether there is refrigerant leakage or not when repairs are carried out.

The refrigerant charged in the air conditioner is safe. Refrigerant normally does not leak, however, if refrigerant gas leaks indoors, and comes into contact with the fire of a fan heater, space heater, stove, etc., harmful substances will be generated.



5. Installation, relocation and inspection

Electrical work

- Provide an exclusive circuit for power supply of the air conditioner.
- Be sure to observe the breaker capacity.

⚠ Warning:

- **The customer should not install this unit. If the unit is installed incorrectly, fire, electric shock, injury due to a falling unit, water leakage, etc. may result.**
- **Do not connect using branched outlet or an extension cord, and do not attach many loads to one electric outlet. A fire or electric shock may result from poor contact, poor insulation, exceeding the permissible current, etc. Consult your dealer.**

⚠ Caution:

- **Apply grounding**
Do not connect a grounding wire to a gas pipe, water pipe, lightning rod or ground wire of a telephone.
If a grounding is incorrect, it may cause an electric shock.
- **Install an earth leakage breaker depending on the place where the air conditioner is to be installed (humid place, etc.).**
If the earth leakage breaker is not installed, it may cause an electric shock.

Inspection and maintenance

- When the air conditioner is used for several seasons, the capacity may be lowered due to dirt inside the unit.
- Depending upon the conditions of use, an odor may be generated or dirt, dust, etc. may prevent proper drainage.
- It is recommended to apply inspection and maintenance (charged) by a specialist in addition to normal maintenance. Consult your dealer.

Also consider operation sound

- Do not put an object around the air outlet of the outdoor unit. It may cause lowering of capacity or increase operating sound.
- If abnormal sound is heard during operation, consult your dealer.

Relocation

- When the air conditioner is to be removed or reinstalled because of rebuilding, moving, etc., special techniques and work are required.

⚠ Warning:

Repair or relocation should not be done by the customer.

If this is done incorrectly, it may cause a fire, electric shock, injury by dropping of the unit, water leakage, etc. Consult your dealer.

Disposal

- To dispose of this product, consult your dealer.

If you have any question, consult your dealer.

6. Specifications

Model		SLZ-A09AR		SLZ-A12AR		SLZ-A18AR	
Function		Cooling	Heating	Cooling	Heating	Cooling	Heating
Power supply		~/N, 220-240V, 50Hz					
Capacity	kW	2.5	3.0	3.2	3.8	4.3	4.8
	BTU/h	8,500	10,200	10,900	12,900	14,600	16,300
Input	kW	0.76	0.87	1.06	1.07	1.53	1.50
Indoor unit		SLZ-A09AR		SLZ-A12AR		SLZ-A18AR	
Airflow (Lo-Hi)	CMM	8-10		9-11		9-11	
Noise level (Lo-Hi)	dB	32-38		34-39		35-40	
Weight	kg	16.5 + Grille 3		16.5 + Grille 3		16.5 + Grille 3	
Outdoor unit		SUZ-A09VR		SUZ-A12VR		SUZ-A18VR	
Noise level	dB	46		48		55	
Refrigerant R410A	kg	0.8		0.9		1.8	
Weight	kg	33		34		72	

- Notes:**
1. Rating conditions (cooling) Indoor : 27°C DB, 19°C WB Outdoor : 35°C DB
 2. Rating conditions (heating) Indoor : 20°C DB Outdoor : 7°C DB, 6°C WB
 3. Specifications subject to change without notice.

Guaranteed operating range

		Indoor	Outdoor
Cooling	Upper limit	32°C DB, 23°C WB	46°C DB, –
	Lower limit	21°C DB, 15°C WB	-10°C DB, –
Heating	Upper limit	27°C DB	24°C DB, 18°C WB
	Lower limit	20°C DB	-10°C DB, -11°C WB

Units should be installed by licensed electric contractor accordingly to local code requirement.

This product is designed and intended for use in the residential,
commercial and light-industrial environment.

The product at hand is based on the following EU regulations:

- Low Voltage Directive 73/23/ EEC
- Electromagnetic Compatibility Directive 89/336/ EEC

Please be sure to put the contact address/telephone number on
this manual before handing it to the customer.