



# SLZ-KA35VA

Inverter Heat Pump

R410A 2x2 4-Way Blow Ceiling Cassette System

The SLZ series is perfect for both residential and small business applications, as it offers inverter technology alongside quiet operation. The compact size of this unit is ideal for 600 x 600mm ceilings and with a depth of 208mm, this lightweight unit makes installation a breeze. This unit also comes complete with a long life filter that will last for approximately 2,500 hours.



Pictures not to scale

## Product Details

### SLZ-KA35VA Indoor Unit

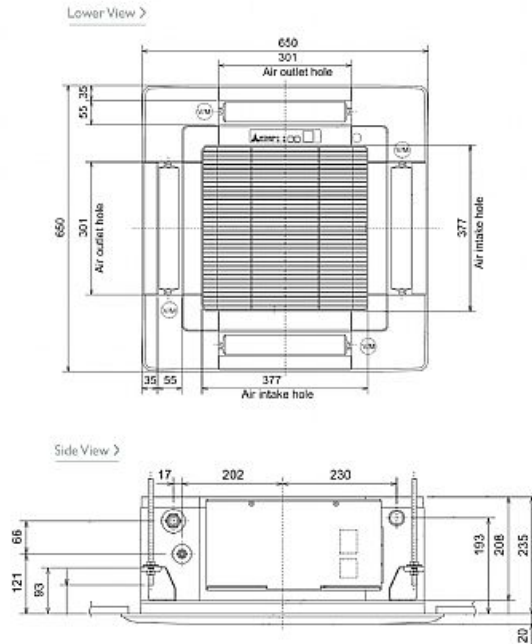
Capacity (kW):	
Heating (Nominal) (Low - High)	4.00 (0.90 - 5.00)
Cooling (Nominal) (Low - High)	3.50 (1.00 - 3.90)
Heating (UK) (Low - High)	3.30 (0.75 - 4.15)
Cooling (UK) (Low - High)	3.45 (1.00 - 3.85)
SHF R410A (Nominal)	0.77
COP / EER (Nominal)	3.64 / 3.3
Energy Label Heating / Cooling	A / A
Width (grille) - mm	570 (650)
Depth (grille) - mm	570 (650)
Height (grille) - mm	208 (20)
Weight (grille) - kg	16.5 (3)
Airflow (m <sup>3</sup> /min) - Lo-Mi-Hi	8-9-11
Noise (dBA) - Lo-Mi-Hi	29-33-38
Pipe Size Gas mm (in)	9.52 (3/8)
Pipe Size Liquid mm (in)	6.35 (1/4)
Electrical Supply	Fed by Outdoor Unit
Phase	Single
Fuse Rating (BS88) - HRC (A)	6
Interconnecting Cable No. Cores	4
Grille Ref	SLP-2AA
Remote Controller Ref	PAR-21MAA

### SUZ-KA35VA Outdoor Unit

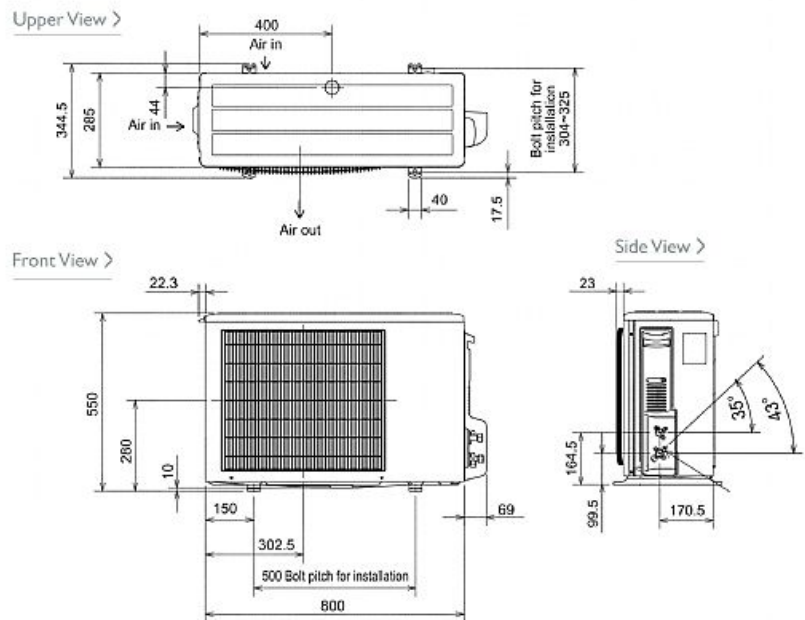
Width - mm	800
Depth - mm	285
Height - mm	550
Weight - kg	37
Noise (dBA) (Heating /Cooling)	48 /47
Electrical Supply	220-240v, 50Hz
Phase	Single
Fuse Rating (BS88) - HRC (A)	16
SystemPower Input (kW) - Heating (Nominal)	1.1
SystemPower Input (kW) - Cooling (Nominal)	1.06
SystemPower Input (kW) - Heating (UK)	1
SystemPower Input (kW) - Cooling (UK)	0.85
Starting Current (A)	4.75
SystemRunning Current (A) - Heating / Cooling	5.15 / 4.95
Mains Cable No. Cores	3
Max Pipe Length (m)	20
Max Height Difference (m)	12
Charge (kg) - 7m	1.05

## Dimensions

### SLZ-KA35VA



### SUZ-KA35VA



Telephone: 01707 282880

Email: [air.conditioning@meuk.mee.com](mailto:air.conditioning@meuk.mee.com) Website: <http://www.mitsubishielectric.co.uk/aircon>

Tel:  
Fax:

Mitsubishi Electric reserves the right to make any variation in technical specification to the equipment described, or to withdraw or replace products without prior notification or public announcement.

