

PARTS CATALOG

Series SLZ Ceiling Cassettes R410A

Indoor unit
[Model names]

SLZ-KA25VAQ

SLZ-KA35VAQ

SLZ-KA50VAQ

[Service Ref.]

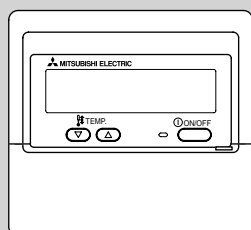
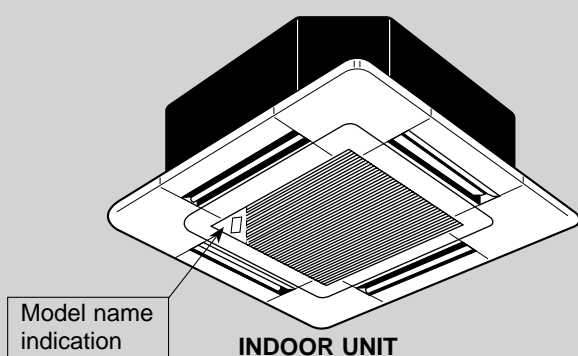
SLZ-KA25VAQ.TH

SLZ-KA35VAQ.TH

SLZ-KA50VAQ.TH

Note:

- RoHS compliant products have <G> mark on the spec name plate.
- For servicing RoHS compliant products, refer to the RoHS Parts List.



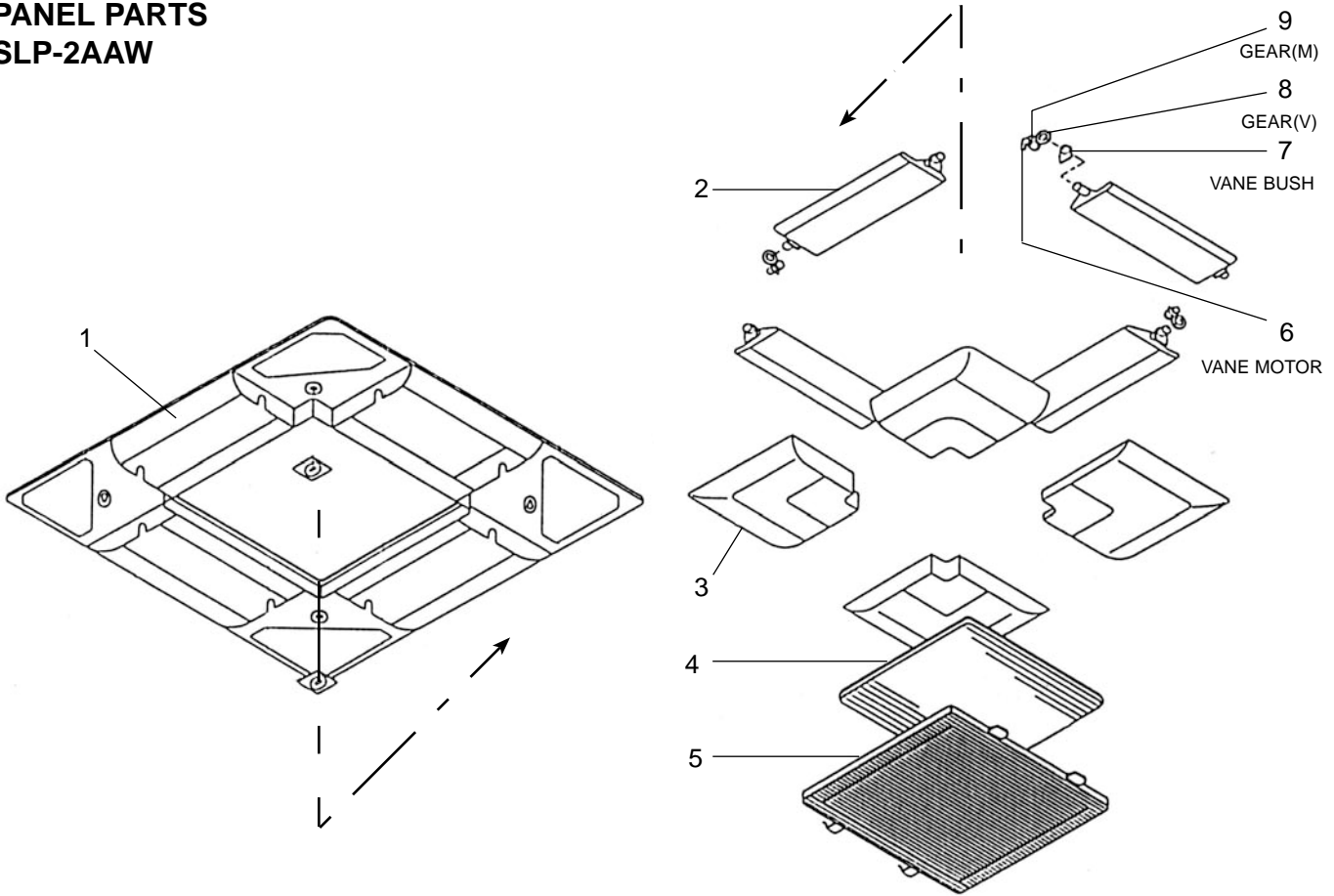
WIRED REMOTE CONTROLLER
(Option)

CONTENTS

1. RoHS PARTS LIST..... 2

SERVICE MANUAL (OCH493)

PANEL PARTS
SLP-2AAW

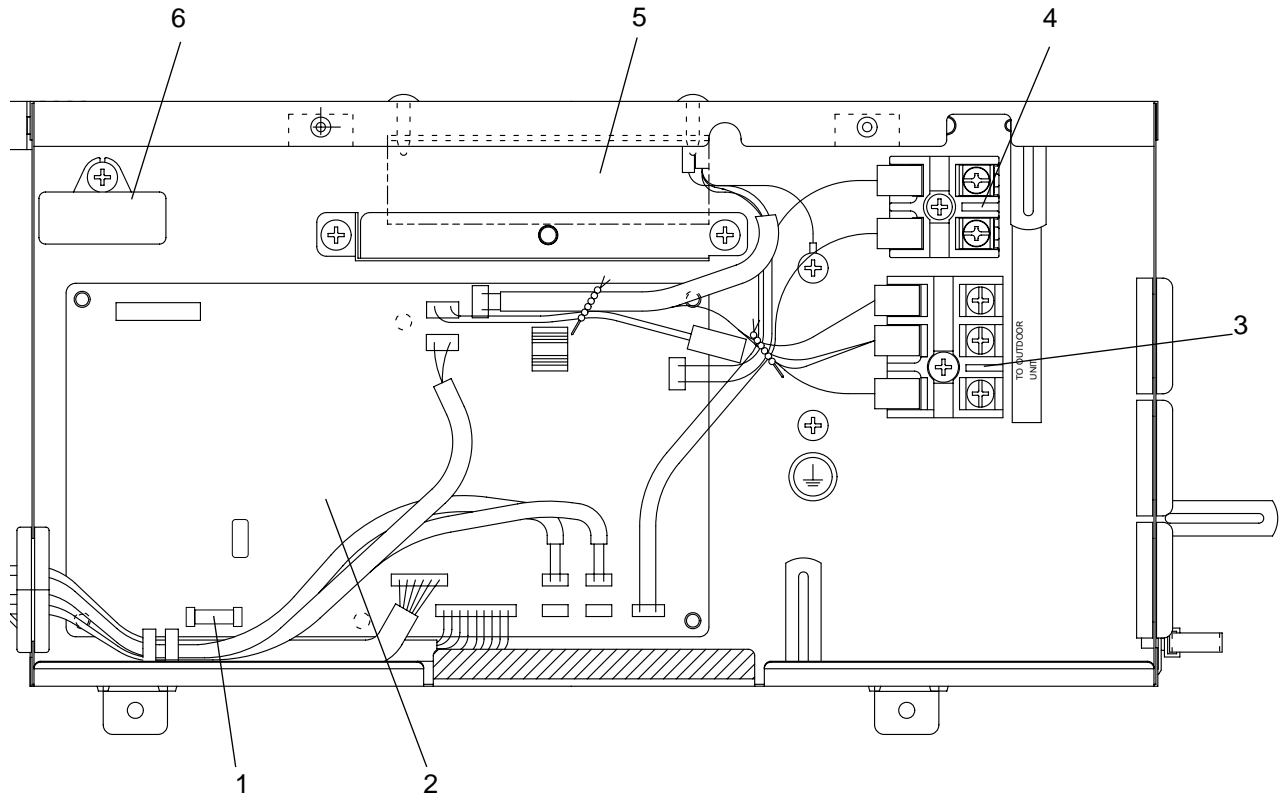


No.	RoHS	Parts No.	Parts name	Specification	Q'ty/set		Remarks (Drawing No.)	Wiring Diagram Symbol	Recom- mended Q'ty
					SLP-2	AAW			
1	G	E17 424 003	AIR OUTLET GRILLE		1				
2	G	E17 423 037	AUTO VANE		4				
3	G	E17 423 975	CORNER PANEL		4				
4	G	E17 103 100	AIR FILTER		1				
5	G	E17 423 010	INTAKE GRILLE		1				
6	G	E17 103 303	VANE MOTOR		4		MV		
7	G	E17 103 044	VANE BUSH		8				
8	G	E17 103 031	GEAR (V)		4				
9	G	E17 103 032	GEAR (M)		4				

ELECTRICAL PARTS
SLZ-KA25VAQ.TH

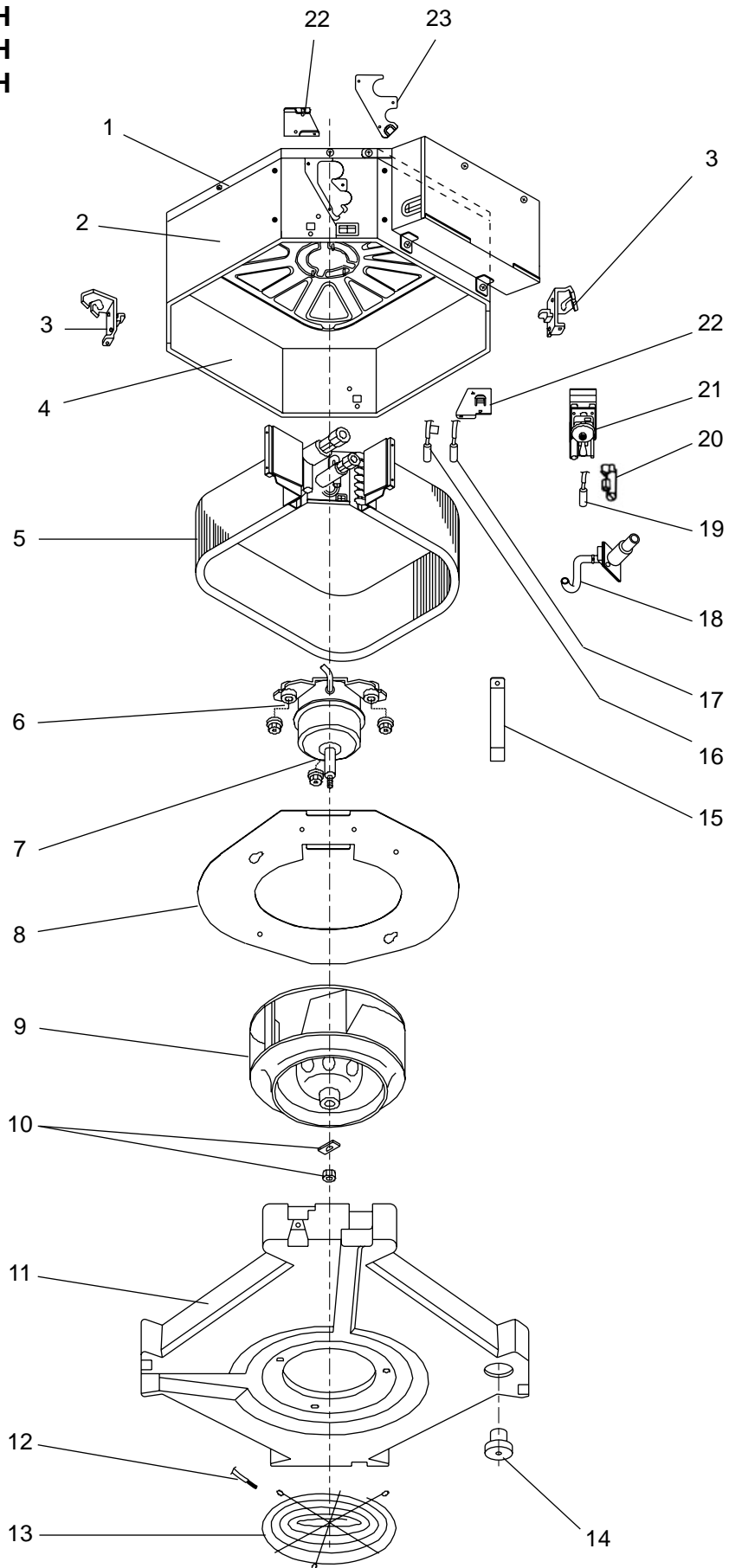
SLZ-KA35VAQ.TH

SLZ-KA50VAQ.TH



No.	RoHS	Parts No.	Parts name	Specification	Q'ty/set	Remarks (Drawing No.)	Wiring Diagram Symbol	Recom- mended Q'ty
					SLZ-KA25/35/50 VAQ.TH			
1	G	E17 250 382	FUSE	250V 6.3A	1		FUSE	
2	G	E17 688 447	INDOOR CONTROLLER BOARD		1		I.B	
3	G	E17 162 375	TERMINAL BLOCK	3P(S1,S2,S3)	1		TB4	
4	G	E17 156 375	TERMINAL BLOCK	2P(1,2)	1		TB15	
5	G	E17 154 440	INDOOR POWER BOARD		1		P.B	
6	G	E12 095 350	INDOOR FAN CAPACITOR	1.5 μ F/ 440VAC	1		C1	

FUNCTIONAL PARTS
SLZ-KA25VAQ.TH
SLZ-KA35VAQ.TH
SLZ-KA50VAQ.TH



No.	RoHS	Parts No.			Parts name	Specification	Q'ty/set			Remarks (Drawing No.)	Wiring Diagram Symbol	Recom- mended Q'ty
							SLZ-KA					
							25	35	50			
						VAQ.TH						
1	G	E17	104	290	BASE		1	1	1			
2	G	E17	104	124	DRUM-1		1	1	1			
3	G	E17	104	808	LEG-1		2	2	2	1PCE/SET		
4	G	E17	105	124	DRUM-2		1	1	1			
5	G	E17	140	620	INDOOR HEAT EXCHANGER		1					
	G	E17	141	620	INDOOR HEAT EXCHANGER			1				
	G	E17	142	620	INDOOR HEAT EXCHANGER				1			
6	G	E17	104	105	MOTOR MOUNT		3	3	3	3PCS/SET		
7	G	E17	162	300	INDOOR FAN MOTOR	PK6V15-LD	1				MF	
	G	E17	164	300	INDOOR FAN MOTOR	PK6V20-LL		1			MF	
	G	E17	166	300	INDOOR FAN MOTOR	PK6V20-LM			1		MF	
8	G	E17	104	816	FLAT PLATE		1	1	1			
9	G	E17	104	502	TURBO FAN		1	1	1			
10	G	E17	104	097	SPL WASHER		1	1	1			
11	G	E17	104	700	DRAIN PAN		1	1	1			
12	G	E17	154	308	ROOM TEMPERATURE THERMISTOR		1	1	1		TH1	
13	G	E17	104	520	FAN GUARD		1	1	1			
14	G	E17	104	524	DRAIN PLUG		1	1	1			
15	G	E17	104	648	COIL SUPPORT		1	1	1			
16	G	E17	154	309	CONDENSER / EVAPORATOR TEMPERATURE THERMISTOR		1	1	1		TH5	
17	G	E17	154	307	PIPE TEMPERATURE THERMISTOR / LIQUID		1	1	1		TH2	
18	G	E17	104	702	DRAIN HOSE		1	1	1			
19	G	E17	104	266	DRAIN SENSOR		1	1	1		DS	
20	G	E17	104	241	SENSOR HOLDER		1	1	1			
21	G	E17	104	355	DRAIN PUMP		1	1	1		DP	
22	G	E17	104	809	LEG-2		2	2	2	1PCE/SET		
23	G	E17	154	006	COVER (DRUM)		1	1	1			

Mr. SLIM™

 **MITSUBISHI ELECTRIC CORPORATION**

HEAD OFFICE : TOKYO BLDG., 2-7-3, MARUNOUCHI, CHIYODA-KU, TOKYO 100-8310, JAPAN