

Air Conditioning

Product Information

SLZ-KA50VAQ : Inverter Heat Pump

R410A 4-Way Blow Ceiling Cassette System

Mr.SLIM™



The SLZ series is perfect for both residential and small business applications, as it offers inverter technology alongside quiet operation. The compact size of this unit is ideal for 600 x 600mm ceilings and with a height of 208mm, this lightweight unit makes installation a breeze. This unit also comes complete with a long life filter that will last for approximately 2,500 hours.

FEATURES



INDOOR

Heating Capacity (kW) (nominal)	5.0 (0.9 - 6.5)
Cooling Capacity (kW) (nominal)	4.6 (1.1 - 5.2)
Heating Capacity (kW) (UK)	4.2 (0.75 - 5.4)
Cooling Capacity (kW) (UK)	4.55 (1.1 - 5.15)
SHF (nominal and UK)	0.68
COP / EER (nominal)	3.22 / 3.01
SCOP / SEER	3.8 / 5.1
Energy Efficiency Class - Heating / Cooling	A / A
Pipe Size Gas (mm [in])	9.52 (3/8")
Pipe Size Liquid (mm [in])	6.35 (1/4")
Airflow (m ³ /min) Lo-Mi-Hi	8 - 9 - 11
Sound Pressure Level (dBA) Lo-Mi-Hi	29 - 33 - 38
Sound Power Level (dBA) Cooling	58
Weight (kg)	17
Dimensions (mm) Width x Depth x Height	570(650) x 570(650) x 235(20)
Electrical Supply	FED BY OUTDOOR UNIT
Phase	SINGLE
Fuse Rating (BS88) - HRC (A)	6
Interconnecting Cable No. Cores	4

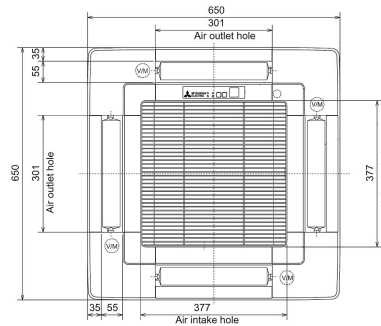
OUTDOOR

Sound Pressure Level (dBA) Heating / Cooling	52 / 52
Sound Power Level (dBA) Cooling	65
Weight (kg)	54
Dimensions (mm) Width x Depth x Height	840 x 330 x 880
Electrical Supply	220-240V, 50HZ
Phase	SINGLE
System Power Input (kW) - Heating / Cooling (nominal)	1.55 / 1.53
System Power Input (kW) - Heating / Cooling (UK)	1.41 / 1.22
Starting Current (A)	7.57
System Running Current (A) [MAX] - Heating / Cooling	7.33 / 7.07 [12.7]
Fuse Rating (BS88) - HRC (A)	20
Mains Cable No. Cores	3
Max Pipe Length (m)	30
Max Height Difference (m)	30
Charge R410A (kg) - pre charged length (m)	1.45 - 7

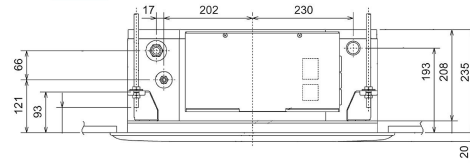
DIMENSIONS

SLZ-KA50VAQ

Lower View >



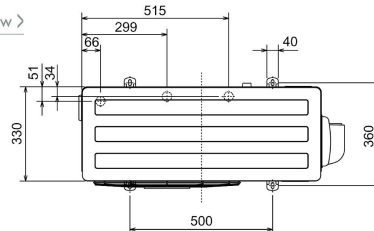
Side View >



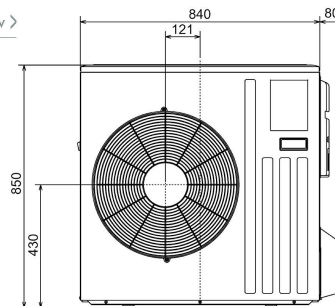
DIMENSIONS

SUZ-KA50VA3

Upper View >



Front View >



Side View >

