

October 2012

No. OCB493

REVISED EDITION-B

# PARTS CATALOG

## Series SLZ Ceiling Cassettes R410A

Indoor unit

[Model names]

[Service Ref.]

SLZ-KA25VAQ

**SLZ-KA25VAQ.TH  
SLZ-KA25VAQR1.TH**

SLZ-KA25VAQ2

**SLZ-KA25VAQ2.TH**

SLZ-KA35VAQ

**SLZ-KA35VAQ.TH**
**SLZ-KA35VAQR1.TH  
SLZ-KA35VAQR2.TH**

SLZ-KA50VAQ

**SLZ-KA50VAQ.TH  
SLZ-KA50VAQR1.TH  
SLZ-KA50VAQR2.TH**

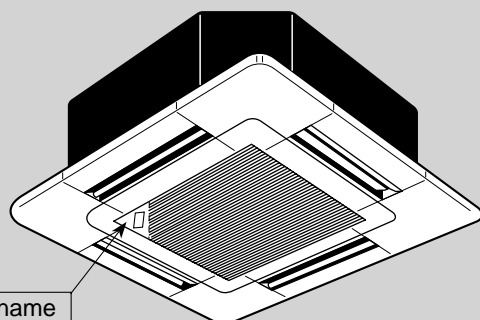
Revision:

- SLZ-KA25VAQ2.TH and SLZ-KA35/50VAQR2.TH have been added in REVISED EDITION-B.

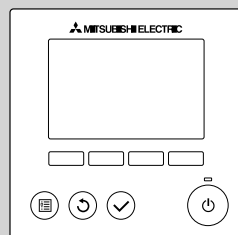
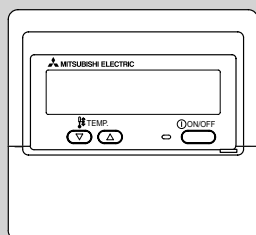
- Please void OCB493 REVISED EDITION-A.

Note:

- RoHS compliant products have <G> mark on the spec name plate.
- For servicing RoHS compliant products, refer to the RoHS Parts List.


 Model name  
indication

INDOOR UNIT

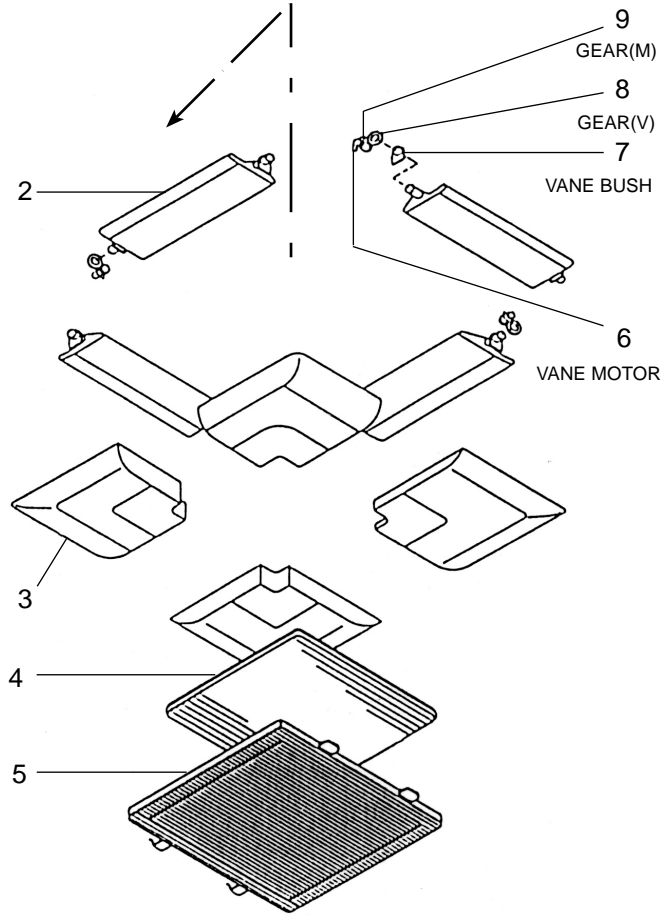
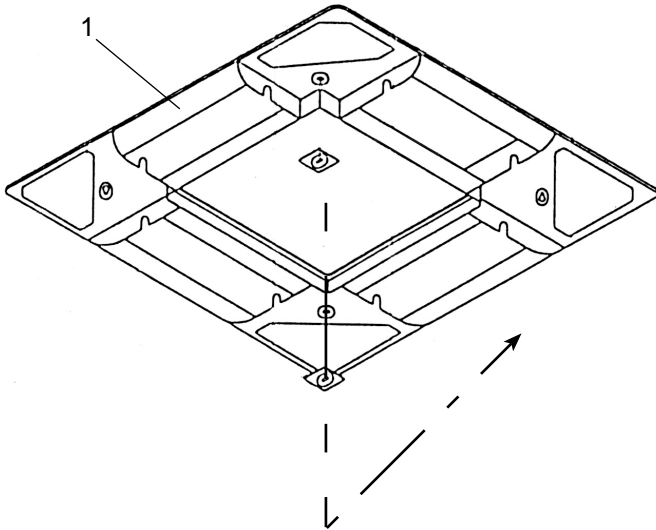

 WIRED REMOTE CONTROLLER  
(Option)

### CONTENTS

1. RoHS PARTS LIST..... 2

**SERVICE MANUAL (OCH493)**


PANEL PARTS  
SLP-2AAW



No.	RoHS	Parts No.	Parts name	Specification	Q'ty/set		Remarks (Drawing No.)	Wiring Diagram Symbol	Recom- mended Q'ty
					SLP-2	AAW			
1	G	E17 424 003	AIR OUTLET GRILLE			1			
2	G	E17 423 037	AUTO VANE			4			
3	G	E17 423 975	CORNER PANEL			4			
4	G	E17 103 100	AIR FILTER			1			
5	G	E17 423 010	INTAKE GRILLE			1			
6	G	E17 103 303	VANE MOTOR			4		MV	
7	G	E17 103 044	VANE BUSH			8			
8	G	E17 103 031	GEAR (V)			4			
9	G	E17 103 032	GEAR (M)			4			

# RoHS PARTS LIST

## ELECTRICAL PARTS

SLZ-KA25VAQ.TH

SLZ-KA25VAQR1.TH

SLZ-KA25VAQ2.TH

SLZ-KA35VAQ.TH

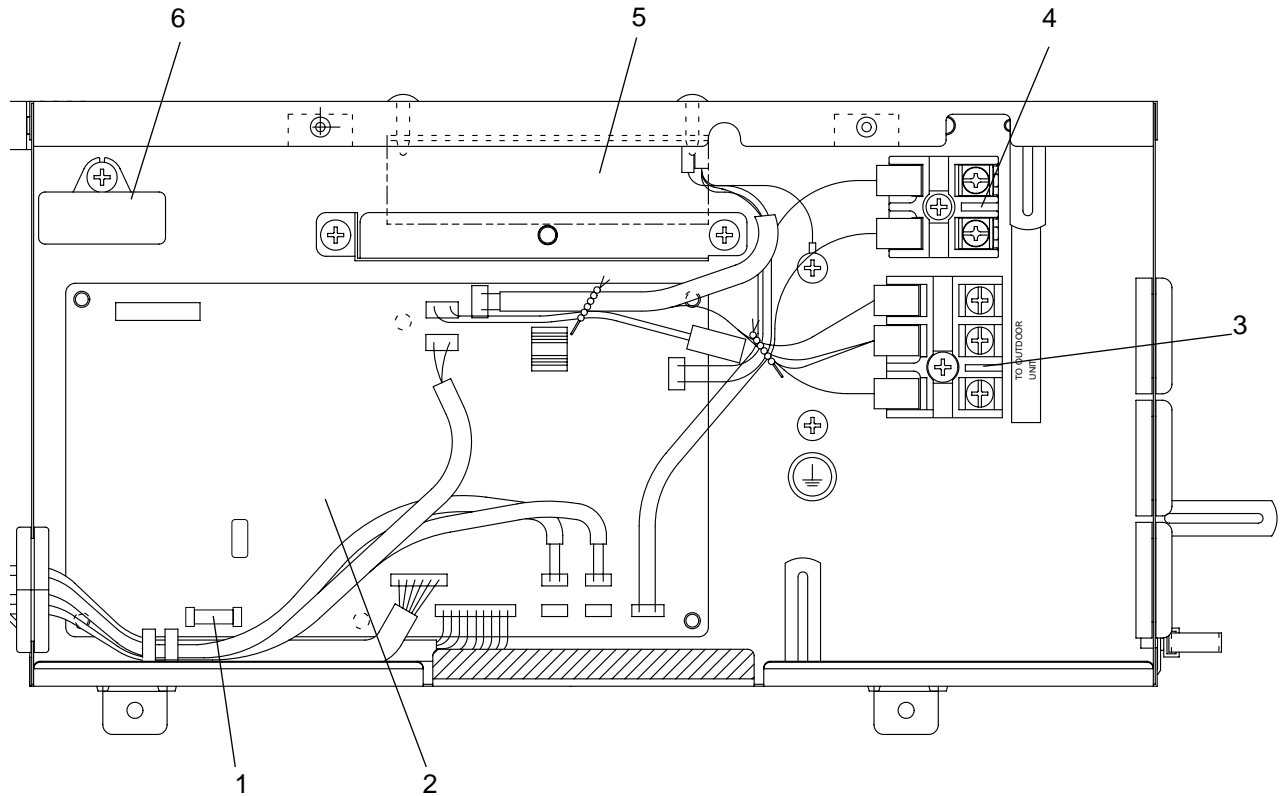
SLZ-KA35VAQR1.TH

SLZ-KA35VAQR2.TH

SLZ-KA50VAQ.TH

SLZ-KA50VAQR1.TH

SLZ-KA50VAQR2.TH



No.	RoHS	Parts No.	Parts name	Specification	SLZ-KA.TH		Remarks (Drawing No.)	Wiring Diagram Symbol	Recom- mended Q'ty
					25/35/50VAQ 25/35/50VAQR1	25VAQ2 35/50VAQR2			
1	G	E17 250 382	FUSE	250V 6.3A	1	1		FUSE	
2	G	E17 688 447	INDOOR CONTROLLER BOARD		1			I.B	
	G	E17 851 447	INDOOR CONTROLLER BOARD			1		I.B	
3	G	E17 162 375	TERMINAL BLOCK	3P(S1,S2,S3)	1	1		TB4	
4	G	E17 156 375	TERMINAL BLOCK	2P(1,2)	1	1		TB15	
5	G	E17 852 440	INDOOR POWER BOARD		1	1		P.B	
6	G	E12 095 350	INDOOR FAN CAPACITOR	1.5 $\mu$ F/ 440VAC	1	1		C1	

# RoHS PARTS LIST

## FUNCTIONAL PARTS

SLZ-KA25VAQ.TH

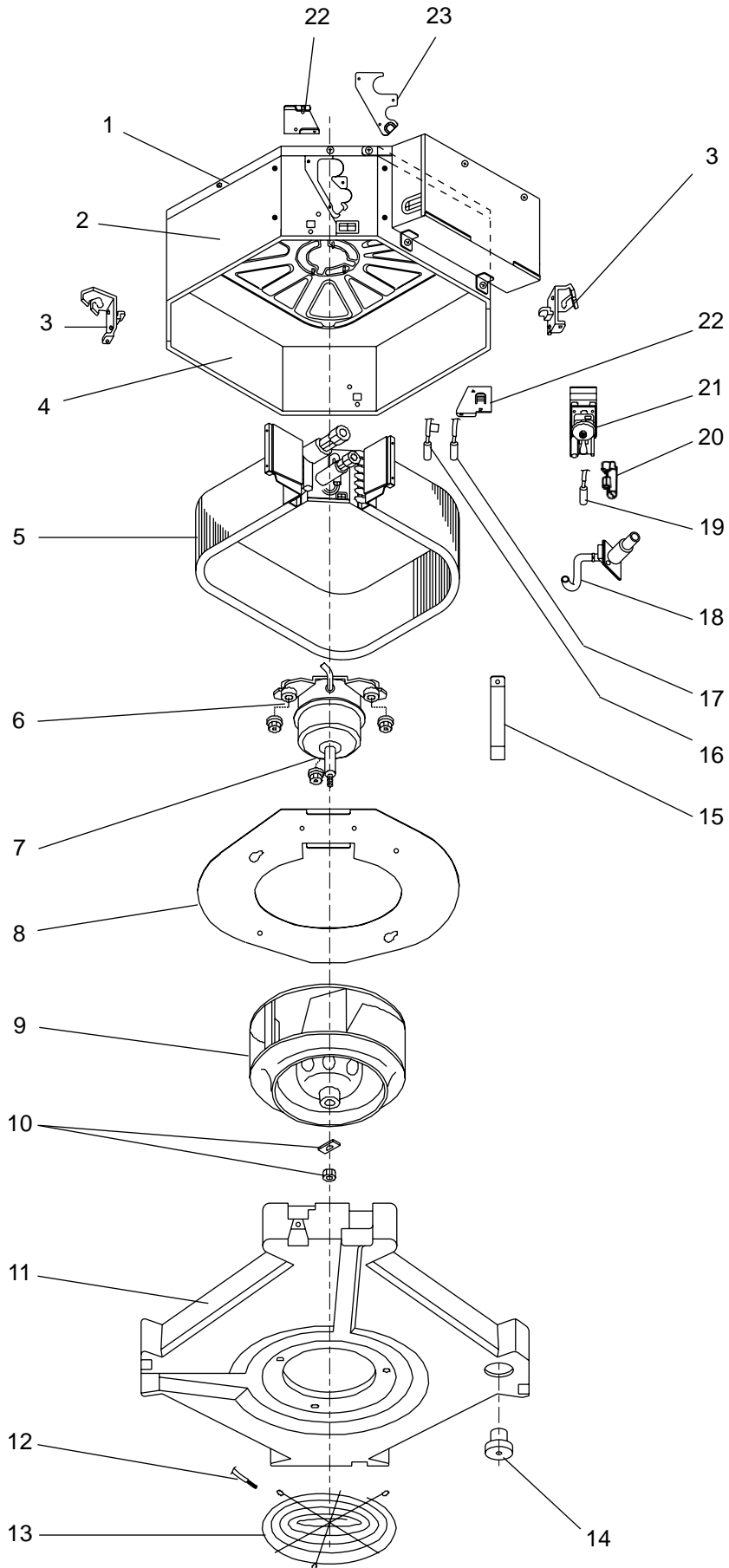
SLZ-KA35VAQ.TH

SLZ-KA50VAQ.TH

SLZ-KA25VAQR1.TH

SLZ-KA35VAQR1.TH

SLZ-KA50VAQR1.TH

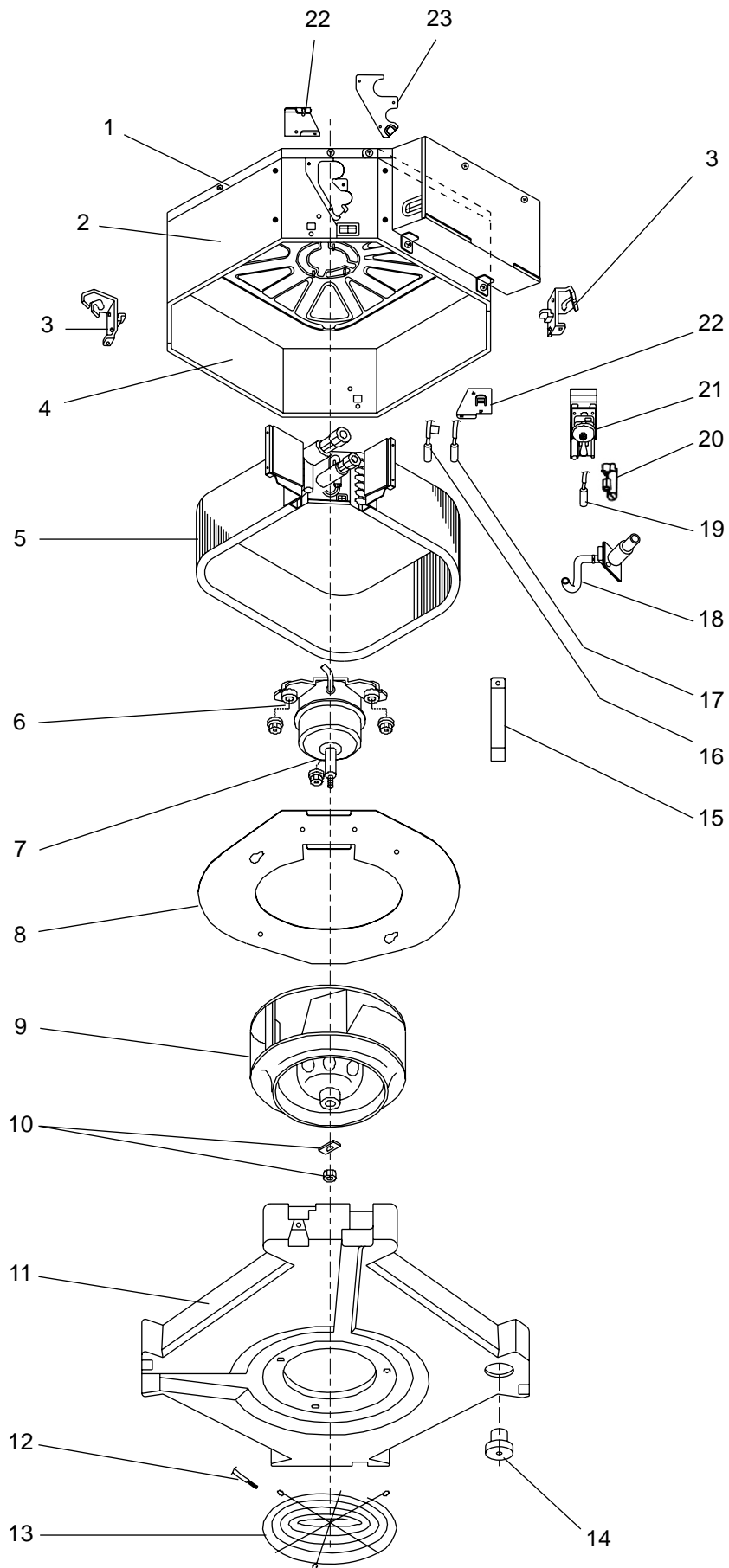


# RoHS PARTS LIST

No.	RoHS	Parts No.			Parts name	Specification	Q'ty/set						Remarks (Drawing No.)	Wiring Diagram Symbol	Recom- mended Q'ty
							SLZ-KA								
							25	35	50	25	35	50			
VAQ.TH			VAQR1.TH												
1	G	E17	104	290	BASE		1	1	1	1	1	1			
2	G	E17	104	124	DRUM-1		1	1	1	1	1	1			
3	G	E17	104	808	LEG-1		2	2	2	2	2	2			
4	G	E17	105	124	DRUM-2		1	1	1	1	1	1			
5	G	E17	140	620	INDOOR HEAT EXCHANGER		1			1					
	G	E17	141	620	INDOOR HEAT EXCHANGER			1			1				
	G	E17	142	620	INDOOR HEAT EXCHANGER				1			1			
6	G	E17	104	105	MOTOR MOUNT		3	3	3	3	3	3			
7	G	E17	162	300	INDOOR FAN MOTOR	PK6V15-LD	1			1				MF	
	G	E17	164	300	INDOOR FAN MOTOR	PK6V20-LL		1			1			MF	
	G	E17	166	300	INDOOR FAN MOTOR	PK6V20-LM			1			1		MF	
8	G	E17	104	816	FLAT PLATE		1	1	1	1	1	1			
9	G	E17	756	502	TURBO FAN		1	1	1	1	1	1			
10	G	E17	439	097	SPL WASHER		1	1	1	1	1	1			
11	G	E17	104	700	DRAIN PAN		1	1	1	1	1	1			
12	G	E17	154	308	ROOM TEMPERATURE THERMISTOR		1	1	1	1	1	1		TH1	
13	G	E17	104	520	FAN GUARD		1	1	1	1	1	1			
14	G	E17	104	524	DRAIN PLUG		1	1	1	1	1	1			
15	G	E17	104	648	COIL SUPPORT		1	1	1	1	1	1			
16	G	E17	154	309	CONDENSER / EVAPORATOR TEMPERATURE THERMISTOR		1	1	1	1	1	1		TH5	
17	G	E17	154	307	PIPE TEMPERATURE THERMISTOR / LIQUID		1	1	1	1	1	1		TH2	
18	G	E17	104	702	DRAIN HOSE		1	1	1	1	1	1			
19	G	E17	104	266	DRAIN SENSOR		1	1	1	1	1	1		DS	
20	G	E17	104	241	SENSOR HOLDER		1	1	1	1	1	1			
21	G	E17	104	355	DRAIN PUMP		1	1	1	1	1	1		DP	
22	G	E17	104	809	LEG-2		2	2	2	2	2	2			
23	G	E17	154	006	COVER (DRUM)		1	1	1	1	1	1			

# RoHS PARTS LIST

FUNCTIONAL PARTS  
SLZ-KA25VAQ2.TH  
SLZ-KA35VAQR2.TH  
SLZ-KA50VAQR2.TH



# RoHS PARTS LIST

No.	RoHS	Parts No.			Parts name	Specification	Q'ty/set			Remarks (Drawing No.)	Wiring Diagram Symbol	Recom- mended Q'ty
							SLZ-KA					
							25	35	50			
						VAQ2.TH	VAQR2.TH					
1	G	E17	104	290	BASE			1	1	1		
2	G	E17	104	124	DRUM-1			1	1	1		
3	G	E17	104	808	LEG-1			2	2	2		
4	G	E17	105	124	DRUM-2			1	1	1		
5	G	E17	141	620	INDOOR HEAT EXCHANGER			1	1			
	G	E17	142	620	INDOOR HEAT EXCHANGER					1		
6	G	E17	104	105	MOTOR MOUNT			3	3	3		
7	G	E17	164	300	INDOOR FAN MOTOR	PK6V20-LL		1	1			MF
	G	E17	166	300	INDOOR FAN MOTOR	PK6V20-LM				1		MF
8	G	E17	104	816	FLAT PLATE			1	1	1		
9	G	E17	766	502	TURBO FAN			1	1	1		
10	G	E17	766	097	SPL WASHER			1	1	1		
11	G	E17	104	700	DRAIN PAN			1	1	1		
12	G	E17	154	308	ROOM TEMPERATURE THERMISTOR			1	1	1		TH1
13	G	E17	104	520	FAN GUARD			1	1	1		
14	G	E17	104	524	DRAIN PLUG			1	1	1		
15	G	E17	104	648	COIL SUPPORT			1	1	1		
16	G	E17	154	309	CONDENSER / EVAPORATOR TEMPERATURE THERMISTOR			1	1	1		TH5
17	G	E17	154	307	PIPE TEMPERATURE THERMISTOR / LIQUID			1	1	1		TH2
18	G	E17	104	702	DRAIN HOSE			1	1	1		
19	G	E17	104	266	DRAIN SENSOR			1	1	1		DS
20	G	E17	104	241	SENSOR HOLDER			1	1	1		
21	G	E17	104	355	DRAIN PUMP			1	1	1		DP
22	G	E17	104	809	LEG-2			2	2	2		
23	G	E17	154	006	COVER (DRUM)			1	1	1		

**Mr. SLIM™**

**mitsubishi electric corporation**

HEAD OFFICE : TOKYO BLDG., 2-7-3, MARUNOUCHI, CHIYODA-KU, TOKYO 100-8310, JAPAN