

PARTS CATALOG

R410A

 Outdoor unit
 [Model name]

PUHZ-ZRP35VKA

PUHZ-ZRP50VKA

PUHZ-ZRP60VHA

PUHZ-ZRP71VHA

PUHZ-ZRP100VKA

PUHZ-ZRP125VKA

PUHZ-ZRP140VKA

PUHZ-ZRP100YKA

PUHZ-ZRP125YKA

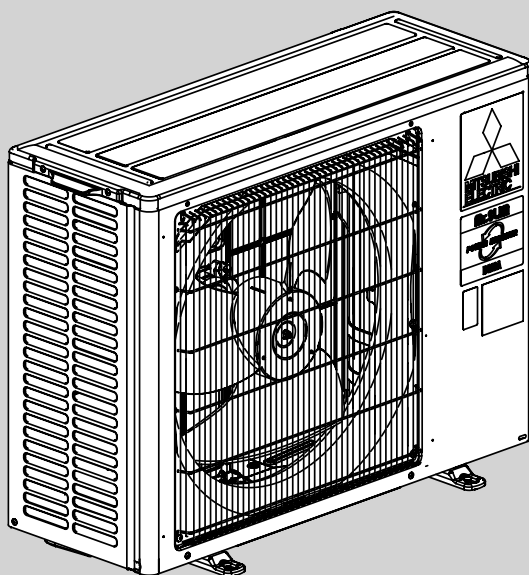
PUHZ-ZRP140YKA

[Service Ref.]

PUHZ-ZRP35VKA
PUHZ-ZRP50VKA
PUHZ-ZRP60VHA
PUHZ-ZRP71VHA
PUHZ-ZRP100VKA
PUHZ-ZRP125VKA
PUHZ-ZRP140VKA
PUHZ-ZRP100YKA
PUHZ-ZRP125YKA
PUHZ-ZRP140YKA

Note:

- RoHS compliant products have <G> mark on the spec name plate.


 PUHZ-ZRP35VKA
 PUHZ-ZRP50VKA

CONTENTS

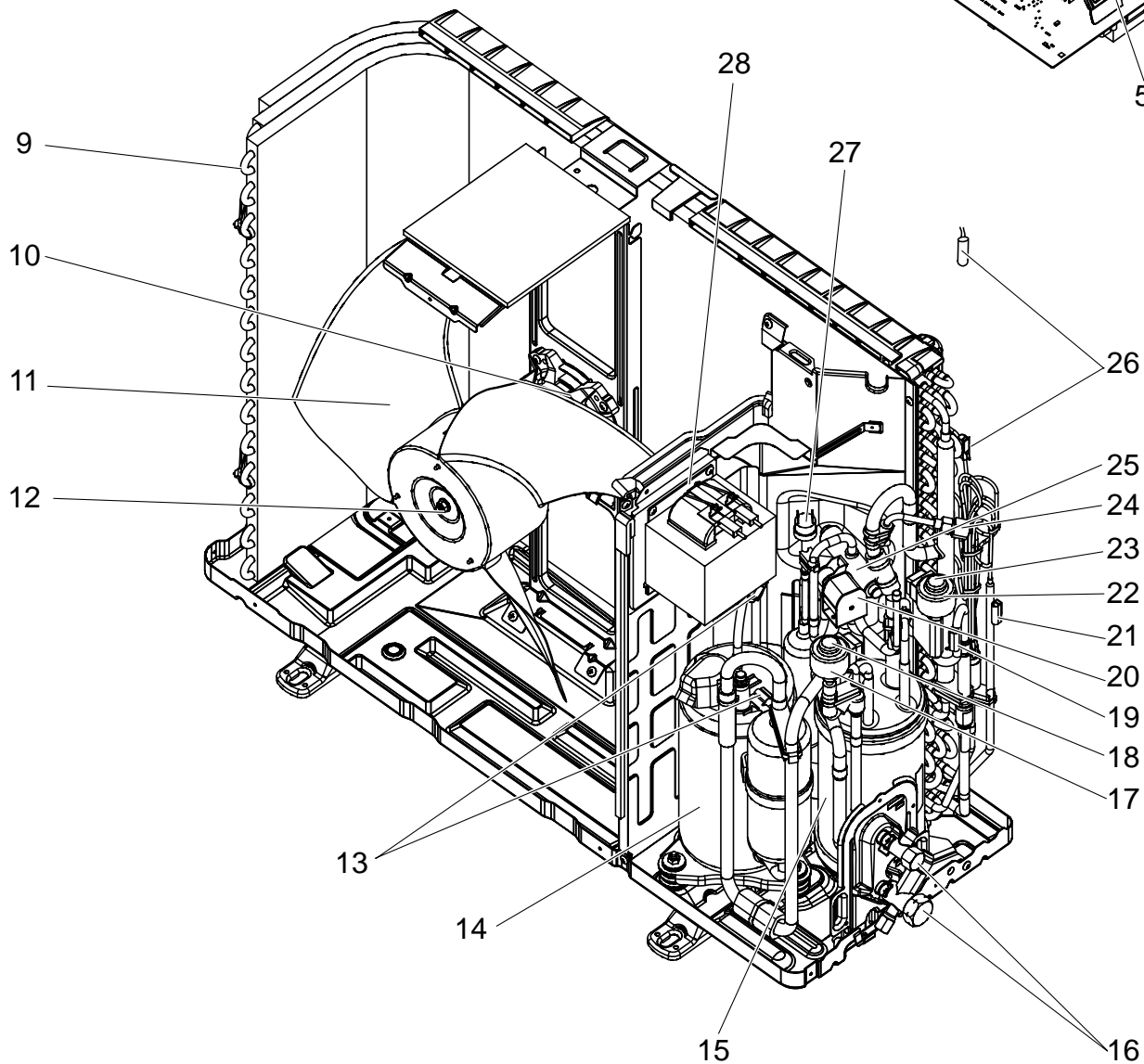
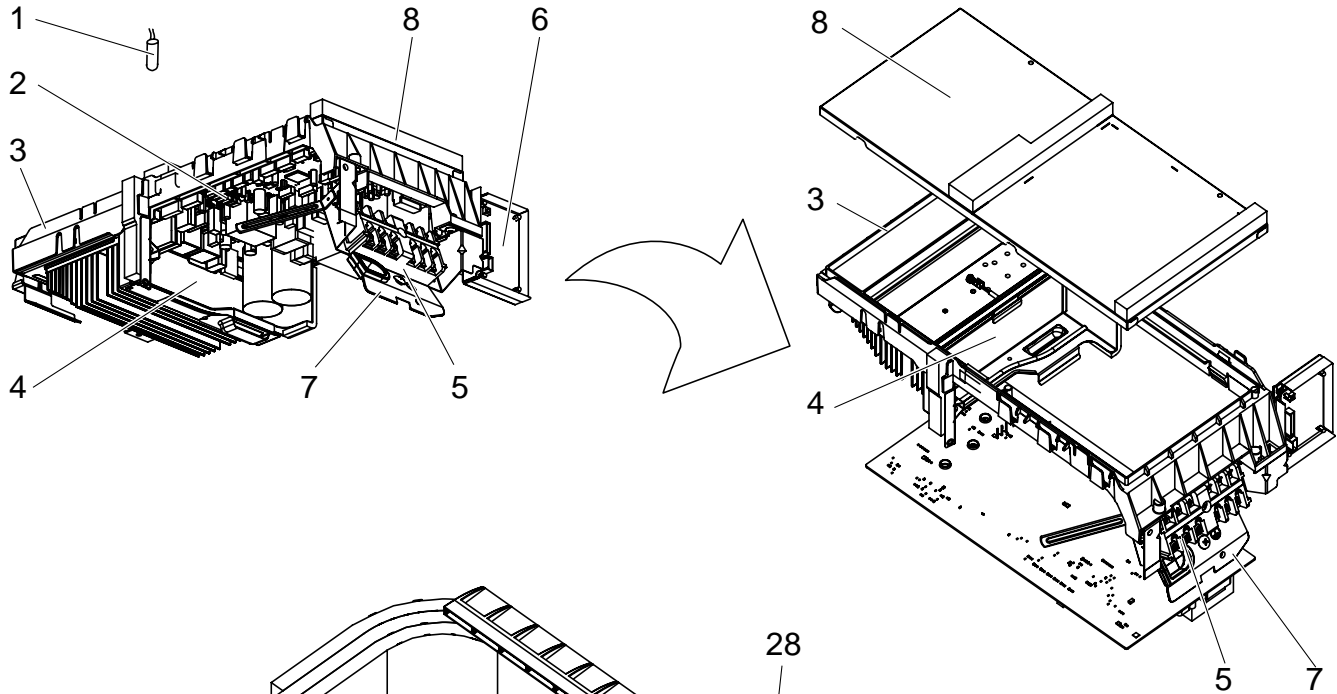
1. RoHS PARTS LIST 2

SERVICE MANUAL (OCH527)

FUNCTIONAL AND ELECTRICAL PARTS

PUHZ-ZRP35VKA

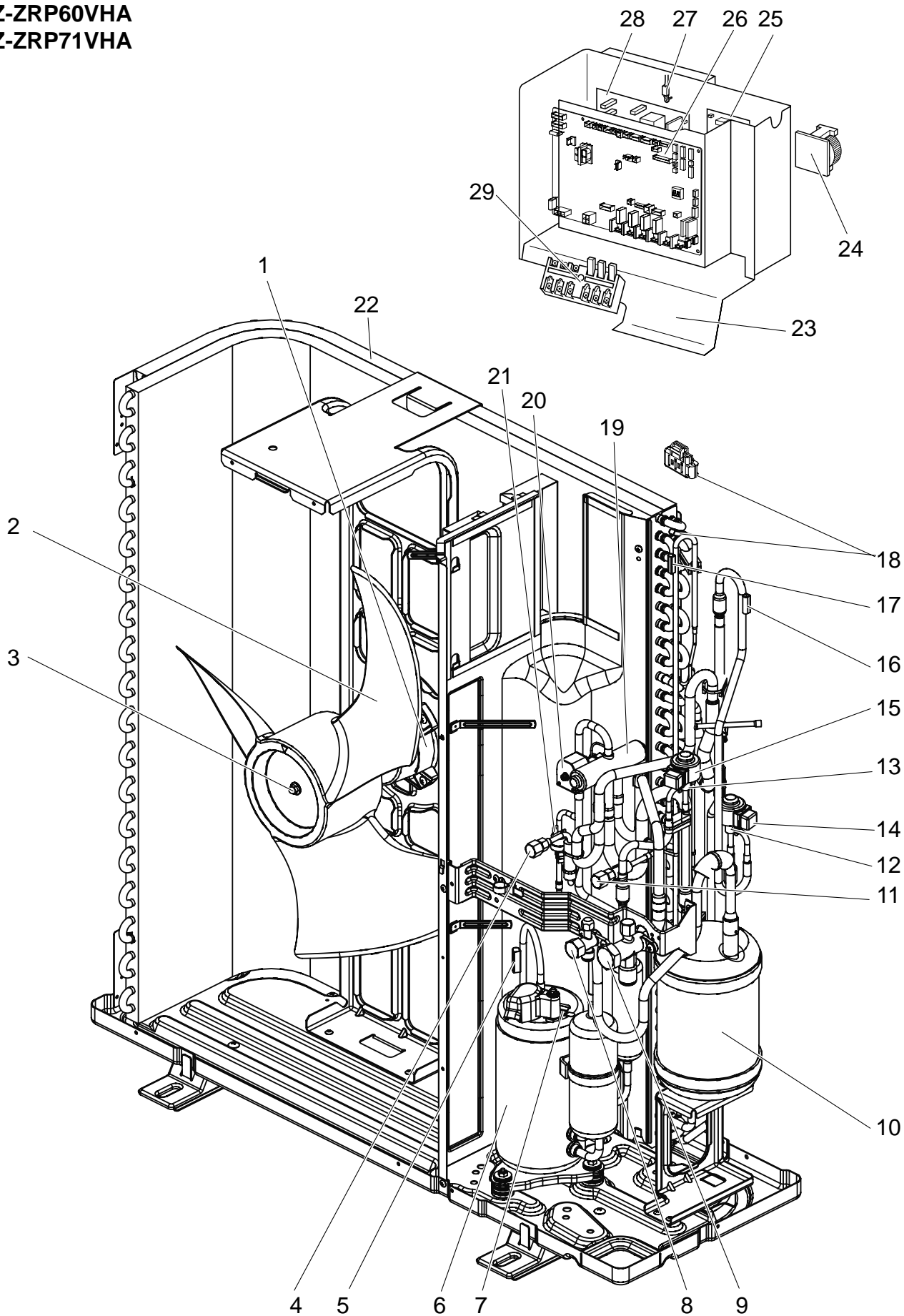
PUHZ-ZRP50VKA



Part numbers that are circled are not shown in the figure.

No.	RoHS	Part No.	Part Name	Specification	Q'ty/set		Remarks (Drawing No.)	Wiring Diagram Symbol	Recom- mended Q'ty
					PUHZ-ZRP-VKA				
					35	50			
1	G	R01 H81 202	THERMISTOR (HEATSINK)		1	1		TH8	
2	G	T7W F25 315	CONTROLLER BOARD		1	1		C.B.	
3	G	R01 E00 327	P.B. SUPPORT		1	1			
4	G	R01 E01 327	H.S. SUPPORT		1	1			
5	G	T7W E28 716	TERMINAL BLOCK	6P (L,N,0,S1,S2,S3)	1	1		TB1	
6	G	R01 E00 316	SWITCH BOARD		1	1		S.B.	
7	G	—	T.B. SUPPORT		1	1	(BK00L098G07)		
8	G	R01 E00 325	P.B. COVER		1	1			
9	G	T7W E71 408	HEAT EXCHANGER		1				
	G	R01 H38 408	HEAT EXCHANGER			1			
10	G	R01 E55 221	FAN MOTOR		1	1		MF1	
11	G	R01 E11 115	PROPELLER FAN		1	1			
12	G	R01 E08 097	NUT		1	1			
13	G	R01 H94 202	THERMISTOR (DISCHARGE, SHELL)		1	1		TH4,TH32	
14	G	T92 263 124	COMPRESSOR	SNB092FGCM	1		Including RUBBER MOUNT	MC	
	G	T97 418 607	COMPRESSOR	SNB130FGCM2		1	Including RUBBER MOUNT	MC	
15	G	R01 E54 440	POWER RECEIVER		1	1			
16	G	R01 E26 410	STOP VALVE ASSY		1	1			
17	G	R01 E99 242	LEV COIL		1	1	CONNECTOR: RED	LEV (B)	
18	G	R01 H30 401	LEV (B)		1	1	WITH COIL		
19	G	T7W E51 202	THERMISTOR (OUTDOOR PIPE)		1	1		TH33	
20	G	T7W E62 242	SOLENOID COIL<4-WAY VALVE>		1	1		21S4	
21	G	R01 N25 202	THERMISTOR (OUTDOOR PIPE)		1	1		TH3	
22	G	R01 E98 242	LEV COIL		1	1	CONNECTOR: WHITE	LEV (A)	
23	G	T7W E28 401	LEV (A)		1	1	WITH COIL		
24	G	R01 E24 413	CHARGE PLUG		1	1			
25	G	R01 E29 403	4-WAY VALVE		1	1			
26	G	R01 H83 202	THERMISTOR (OUTDOOR 2-PHASE PIPE, OUTDOOR)		1	1		TH6,TH7	
27	G	R01 E06 208	HIGH PRESSURE SWITCH		1	1		63H	
28	G	R01 E46 259	REACTOR		1	1		ACL	
29	G	R01 E10 239	FUSE	250V 10A	2	2		F1,F2	
30	G	R01 E15 239	FUSE	250V 3.15A	2	2		F3,F4	
31	G	R01 E10 510	LEAD ASSY COMP		1				
	G	R01 E11 510	LEAD ASSY COMP			1			

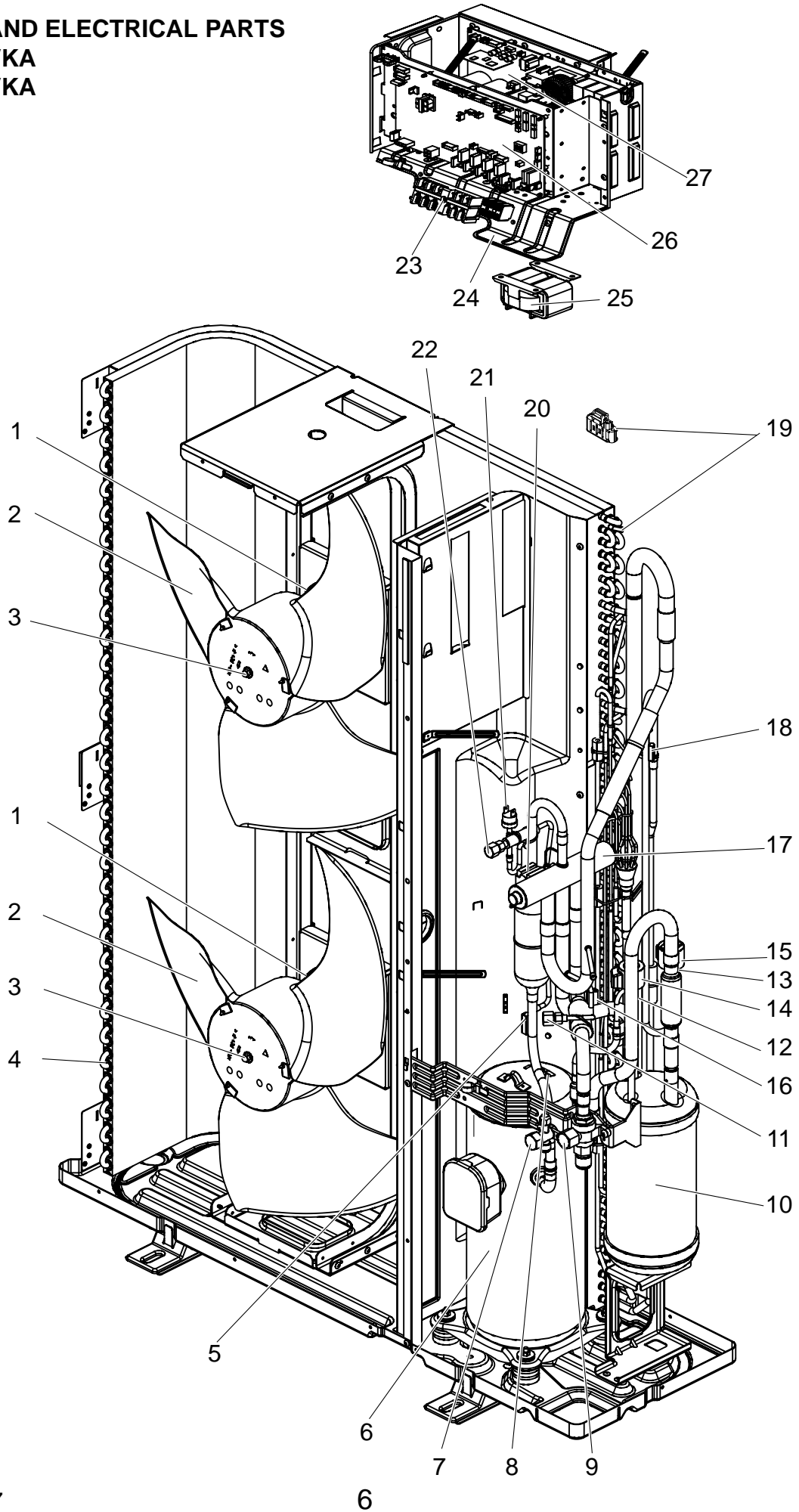
FUNCTIONAL AND ELECTRICAL PARTS
PUHZ-ZRP60VHA
PUHZ-ZRP71VHA



Part numbers that are circled are not shown in the figure.

No.	RoHS	Part No.	Part Name	Specification	Q'ty/set		Remarks (Drawing No.)	Wiring Diagram Symbol	Recom- mended Q'ty
					PUHZ-ZRP-VHA				
					60	71			
1	G	R01 E57 221	FAN MOTOR		1	1		MF1	
2	G	R01 E12 115	PROPELLER FAN		1	1			
3	G	R01 E09 097	NUT		1	1			
4	G	R01 E24 413	CHARGE PLUG		1	1			
5	G	T7W E17 201	THERMISTOR (DISCHARGE)		1	1		TH4	
6	G	T92 263 125	COMPRESSOR	SNB130FGCM1	1		Including RUBBER MOUNT	MC	
	G	T92 272 607	COMPRESSOR	SNB172FSHM1		1	Including RUBBER MOUNT	MC	
7	G	T7W E11 201	THERMISTOR (SHELL)		1	1		TH32	
8	G	R01 E25 410	STOP VALVE	3/8	1	1			
9	G	R01 E24 410	STOP VALVE	5/8	1	1			
10	G	R01 E62 440	POWER RECEIVER		1	1			
11	G	R01 E18 413	CHARGE PLUG		1	1			
12	G	T7W E29 401	LEV (A)		1	1	WITH COIL		
13	G	R01 H40 401	LEV (B)		1	1	WITH COIL & STOP VALVE		
14	G	R01 H03 242	LEV COIL		1	1	CONNECTOR: WHITE	LEV(A)	
15	G	R01 H06 242	LEV COIL		1	1	CONNECTOR: RED	LEV(B)	
16	G	R01 H79 202	THERMISTOR (OUTDOOR PIPE)		1	1		TH33	
17	G	R01 N03 202	THERMISTOR (OUTDOOR PIPE)		1	1		TH3	
18	G	R01 E94 202	THERMISTOR (OUTDOOR 2PHASE PIPE, OUTDOOR)		1	1		TH6, 7	
19	G	R01 E13 403	4-WAY VALVE		1	1			
20	G	T7W E39 242	SOLENOID COIL <4-WAY VALVE>		1	1		21S4	
21	G	R01 E06 208	HIGH PRESSURE SWITCH		1	1		63H	
22	G	R01 H40 408	HEAT EXCHANGER		1	1			
23	G	—	ELECTRICAL PARTS BOX		1	1	(BK00B055G77)		
24	G	R01 E33 259	REACTOR		1	1		ACL	
25	G	T7W E21 346	NOISE FILTER CIRCUIT BOARD		1	1		N.F.	
26	G	T7W F26 315	CONTROLLER CIRCUIT BOARD		1	1		C.B.	
27	G	R01 E99 202	THERMISTOR (HEATSINK)		1	1		TH8	
28	G	T7W E78 313	POWER CIRCUIT BOARD		1			P.B.	
	G	T7W E81 313	POWER CIRCUIT BOARD			1		P.B.	
29	G	T7W E29 716	TERMINAL BLOCK	6P (L,N,0,S1,S2,S3)	1	1		TB1	
30	G	R01 E14 239	FUSE	250V 6.3A	4	4		F1,2,3,4	
31	G	R01 E12 510	LEAD ASSY COMP		1	1			

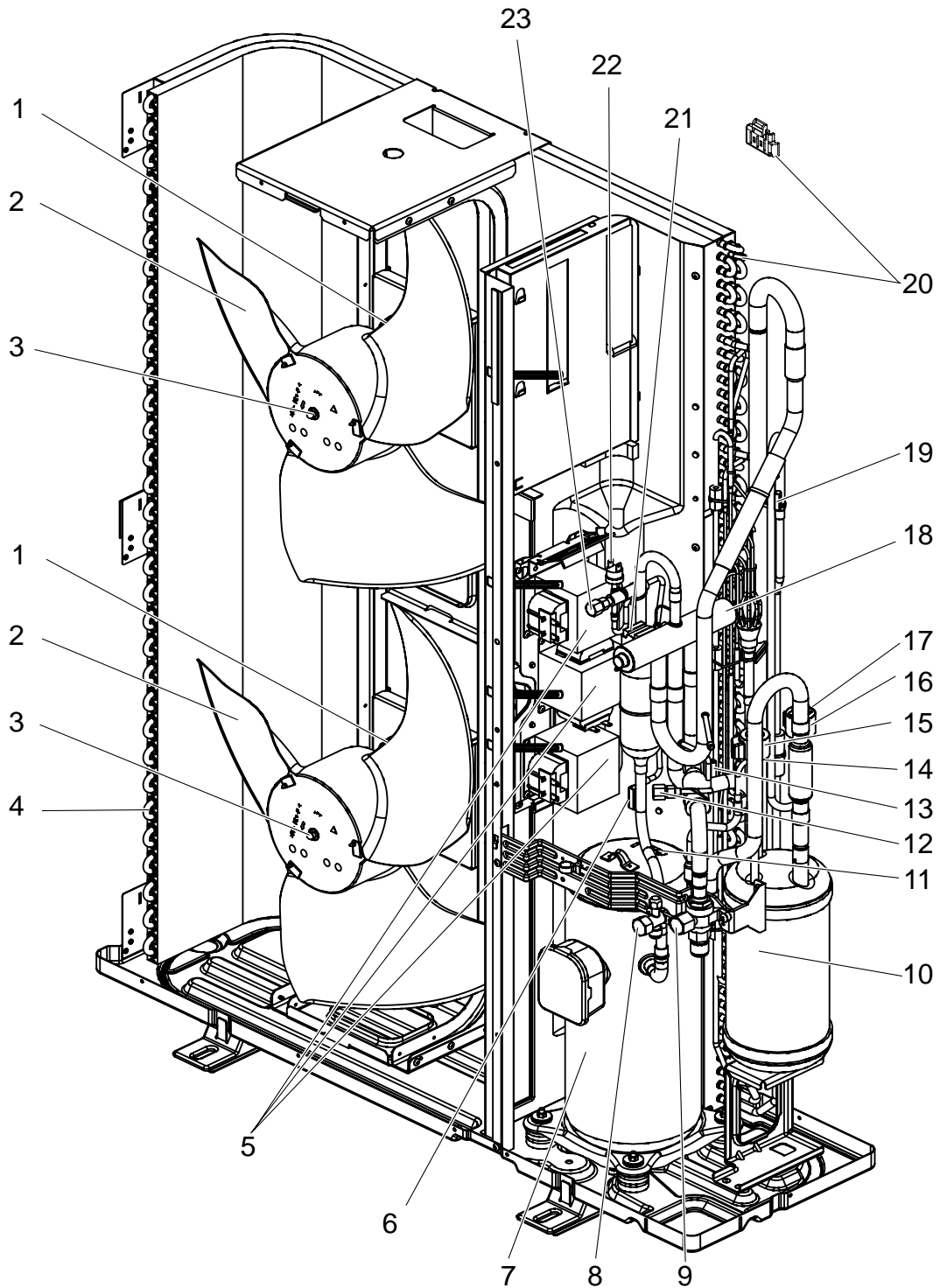
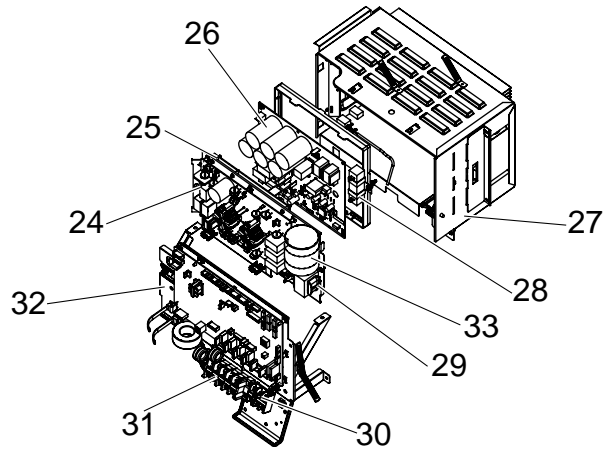
FUNCTIONAL AND ELECTRICAL PARTS
PUHZ-ZRP100VKA
PUHZ-ZRP125VKA



Part numbers that are circled are not shown in the figures.

No.	RoHS	Part No.	Part Name	Specification	Q'ty/set	Remarks (Drawing No.)	Wiring Diagram Symbol	Recom- mended Q'ty
					PUHZ-ZRP100VKA PUHZ-ZRP125VKA			
1	G	R01 E50 221	FAN MOTOR		2		MF1,2	
2	G	R01 E10 115	PROPELLER FAN		2			
3	G	R01 E09 097	NUT		2			
4	G	R01 H41 408	HEAT EXCHANGER		1			
5	G	T7W E04 201	THERMISTOR (DISCHARGE)		1		TH4	
6	G	T97 424 077	COMPRESSOR	ANB33FNFMT	1	With RUBBER MOUNTS	MC	
7	G	R01 E25 410	STOP VALVE	3/8	1			
8	G	T7W E11 201	THERMISTOR (SHELL)		1		TH32	
9	G	R01 E12 410	BALL VALVE	5/8	1			
10	G	R01 E60 440	POWER RECEIVER		1			
11	G	R01 E24 413	CHARGE PLUG		1			
12	G	R01 H41 401	LEV (B)		1	WITH COIL & STOP VALVE		
13	G	T7W E30 401	LEV (A)		1	WITH COIL		
14	G	R01 E88 242	LEV COIL		1	CONNECTOR: RED	LEV(B)	
15	G	R01 E86 242	LEV COIL		1	CONNECTOR: WHITE	LEV(A)	
16	G	R01 H00 202	THERMISTOR (OUTDOOR PIPE)		1		TH3	
17	G	R01 E15 403	4-WAY VALVE		1			
18	G	R01 H79 202	THERMISTOR (OUTDOOR PIPE)		1		TH33	
19	G	R01 E94 202	THERMISTOR (OUTDOOR 2PHASE PIPE, OUTDOOR)		1		TH6,7	
20	G	T7W E41 242	SOLENOID COIL <4-WAY VALVE>		1		21S4	
21	G	R01 E06 208	HIGH PRESSURE SWITCH		1		63H	
22	G	R01 E18 413	CHARGE PLUG		1			
23	G	T7W E29 716	TERMINAL BLOCK	6P (L,N,0,S1,S2,S3)	1		TB1	
24	G	—	ELECTRICAL PARTS BOX		1	(BK00B055G94)		
25	G	T7W E20 259	REACTOR		1		DCL	
26	G	T7W F27 315	CONTROLLER CIRCUIT BOARD		1		C.B.	
27	G	T7W E82 313	POWER CIRCUIT BOARD		1		P.B.	
28	G	R01 E14 239	FUSE	250V 6.3A	4		F1,2,3,4	
29	G	R01 E20 254	MAIN SMOOTHING CAPACITOR		1		CB	
30	G	R01 E13 510	LEAD ASSY COMP		1			

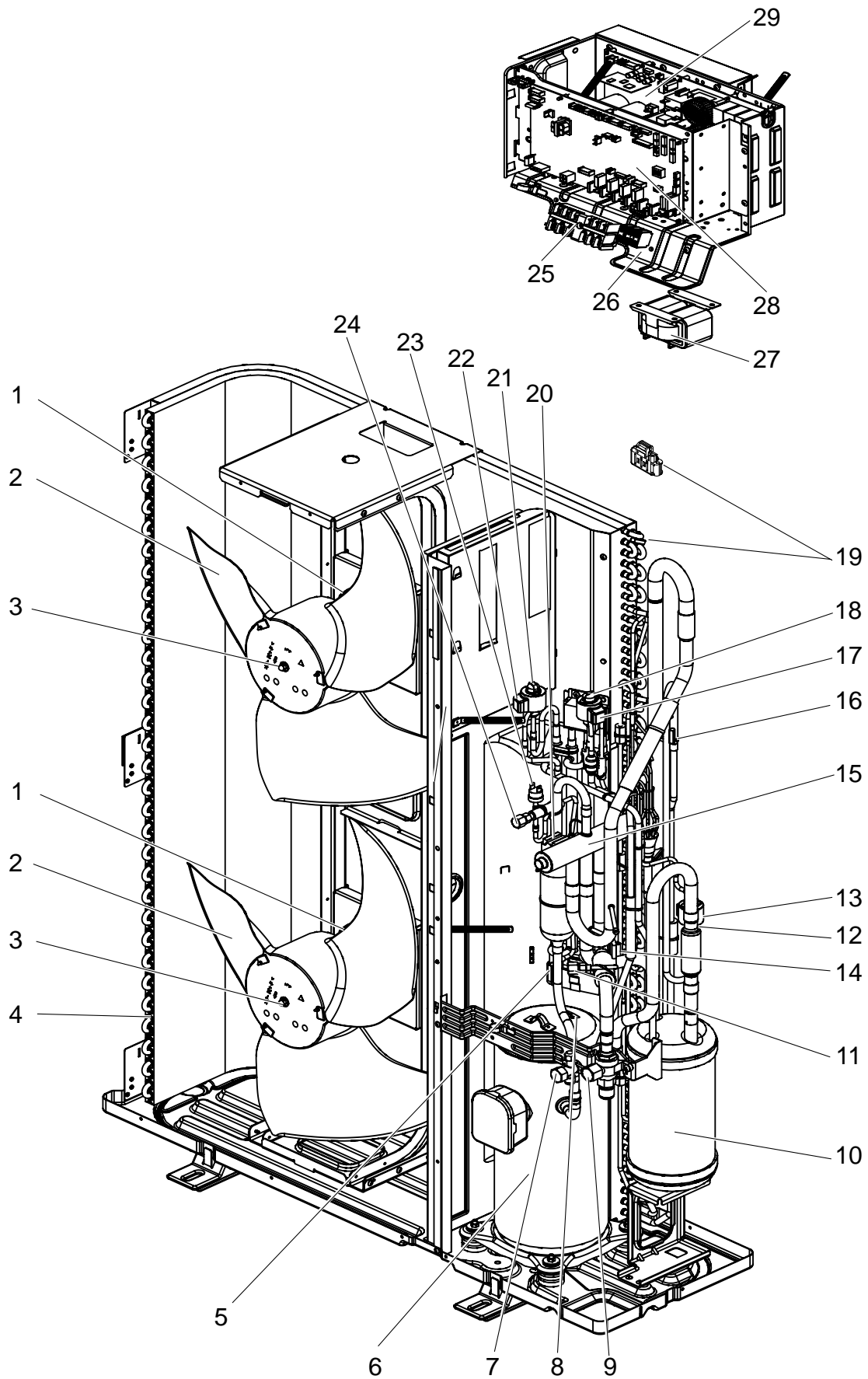
FUNCTIONAL AND ELECTRICAL PARTS
PUHZ-ZRP100YKA
PUHZ-ZRP125YKA



Part numbers that are circled are not shown in the figures.

No.	RCHS	Part No.	Part Name	Specification	Q'ty/set		Remarks (Drawing No.)	Wiring Diagram Symbol	Recom- mended Q'ty
					PUHZ-ZRP-YKA				
					100	125			
1	G	R01 E50 221	FAN MOTOR		2	2		MF1,2	
2	G	R01 E10 115	PROPELLER FAN		2	2			
3	G	R01 E09 097	NUT		2	2			
4	G	R01 H41 408	HEAT EXCHANGER		1	1			
5	G	T7W E21 259	REACTOR		3			ACL1,2,3	
	G	T7W E22 259	REACTOR			3		ACL1,2,3	
6	G	T7W E17 201	THERMISTOR (DISCHARGE)		1	1		TH4	
7	G	T97 425 077	COMPRESSOR	ANB33FNCMT	1	1	With RUBBER MOUNTS	MC	
8	G	R01 E25 410	STOP VALVE	3/8	1	1			
9	G	R01 E12 410	BALL VALVE	5/8	1	1			
10	G	R01 E60 440	POWER RECEIVER		1	1			
11	G	T7W E11 201	THERMISTOR (SHELL)		1	1		TH32	
12	G	R01 E24 413	CHARGE PLUG		1	1			
13	G	R01 H00 202	THERMISTOR (OUTDOOR PIPE)		1	1		TH3	
14	G	R01 H42 401	LEV (B)		1	1	WITH COIL & STOP VALVE		
15	G	R01 E49 242	LEV COIL		1	1	CONNECTOR: RED	LEV(B)	
16	G	R01 E50 242	LEV COIL		1	1	CONNECTOR: WHITE	LEV(A)	
17	G	T7W E31 401	LEV (A)		1	1	WITH COIL		
18	G	R01 E15 403	4-WAY VALVE		1	1			
19	G	R01 H79 202	THERMISTOR (OUTDOOR PIPE)		1	1		TH33	
20	G	R01 H01 202	THERMISTOR (OUTDOOR 2PHASE PIPE, OUTDOOR)		1	1		TH6,7	
21	G	T7W E41 242	SOLENOID COIL <4-WAY VALVE>		1	1		21S4	
22	G	R01 E06 208	HIGH PRESUURE SWITCH		1	1		63H	
23	G	R01 E18 413	CHARGE PLUG		1	1			
24	G	T7W E28 346	NOISE FILTER CIRCUIT BOARD		1	1		N.F.	
25	G	T7W E75 310	CONVERTER CIRCUIT BOARD		1	1		CONV.B.	
26	G	T7W E83 313	POWER CIRCUIT BOARD		1	1		P.B.	
27	G	—	ELECTRICAL PARTS BOX		1	1	(BK00C410G17)		
28	G	R01 E10 233	RESISTOR		1	1		RS	
29	G	R01 E31 259	REACTOR		1	1		ACL4	
30	G	R01 E19 246	TERMINAL BLOCK	3P (S1,S2,S3)	1	1		TB2	
31	G	T7W E30 716	TERMINAL BLOCK	5P (L1,L2,L3,N,⊕)	1	1		TB1	
32	G	T7W F28 315	CONTROLLER CIRCUIT BOARD		1	1		C.B.	
33	G	T7W E10 254	CAPACITOR		1	1		CK	
34	G	R01 E14 239	FUSE	250V 6.3A	4	4		F1,2,3,4	
35	G	R01 H93 202	THERMISTOR (HEATSINK)		1	1		TH8	
36	G	R01 E14 510	LEAD ASSY COMP		1	1			

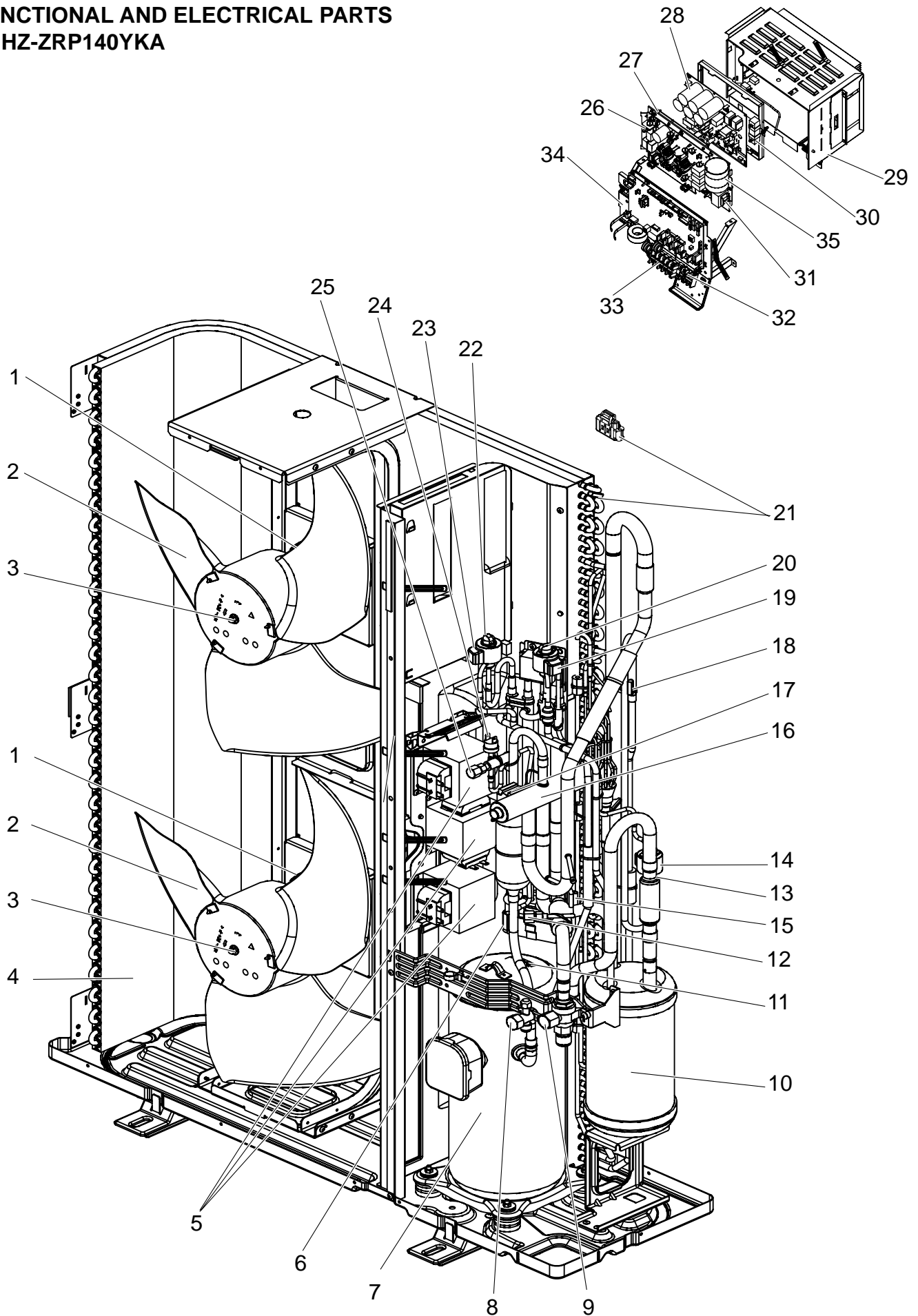
FUNCTIONAL AND ELECTRICAL PARTS PUHZ-ZRP140VKA



Part numbers that are circled are not shown in the figures.

No.	RoHS	Part No.	Part Name	Specification	Q'ty/set	Remarks (Drawing No.)	Wiring Diagram Symbol	Recom- mended Q'ty
					PUHZ-ZRP140VKA			
1	G	R01 E50 221	FAN MOTOR		2		MF1,2	
2	G	R01 E10 115	PROPELLER FAN		2			
3	G	R01 E09 097	NUT		2			
4	G	R01 H41 408	HEAT EXCHANGER		1			
5	G	T7W E04 201	THERMISTOR (DISCHARGE)		1		TH4	
6	G	T97 424 077	COMPRESSOR	ANB33FNFMT	1	With RUBBER MOUNTS	MC	
7	G	R01 E25 410	STOP VALVE	3/8	1			
8	G	T7W E11 201	THERMISTOR (SHELL)		1		TH32	
9	G	R01 E12 410	BALL VALVE	5/8	1			
10	G	R01 E60 440	POWER RECEIVER		1			
11	G	R01 E24 413	CHARGE PLUG		1			
12	G	T7W E30 401	LEV (A)		1	WITH COIL		
13	G	R01 E86 242	LEV COIL		1	CONNECTOR: WHITE	LEV(A)	
14	G	R01 H00 202	THERMISTOR (OUTDOOR PIPE)		1		TH3	
15	G	R01 E15 403	4-WAY VALVE		1			
16	G	R01 H79 202	THERMISTOR (OUTDOOR PIPE)		1		TH33	
17	G	R01 E49 242	LEV COIL		1	CONNECTOR: RED	LEV(B)	
18	G	R01 H20 401	LEV (B)		1			
19	G	R01 E94 202	THERMISTOR (OUTDOOR 2PHASE PIPE, OUTDOOR)		1		TH6,7	
20	G	T7W E41 242	SOLENOID COIL <4-WAY VALVE>		1		21S4	
21	G	T7W E26 401	LEV (C)		1			
22	G	R01 E68 242	LEV COIL		1	CONNECTOR: BLUE	LEV(C)	
23	G	R01 E06 208	HIGH PRESSURE SWITCH		1		63H	
24	G	R01 E18 413	CHARGE PLUG		1			
25	G	T7W E29 716	TERMINAL BLOCK	6P (L,N,0,S1,S2,S3)	1		TB1	
26	G	—	ELECTRICAL PARTS BOX		1	(BK00B055G94)		
27	G	T7W E20 259	REACTOR		1		DCL	
28	G	T7W F27 315	CONTROLLER CIRCUIT BOARD		1		C.B.	
29	G	T7W E82 313	POWER CIRCUIT BOARD		1		P.B.	
30	G	R01 E14 239	FUSE	250V 6.3A	4		F1,2,3,4	
31	G	R01 E20 254	MAIN SMOOTHING CAPACITOR		1		CB	
32	G	R01 E13 510	LEAD ASSY COMP		1			

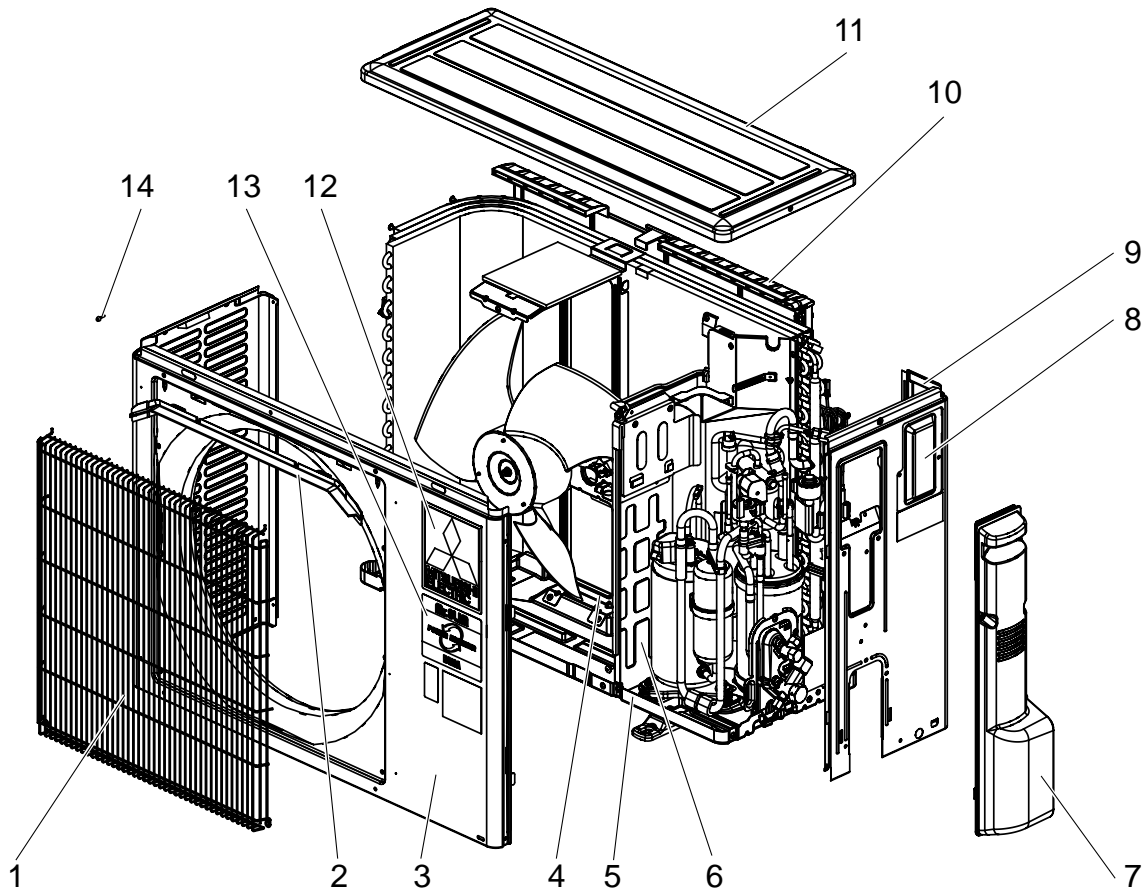
**FUNCTIONAL AND ELECTRICAL PARTS
PUHZ-ZRP140YKA**



Part numbers that are circled are not shown in the figures.

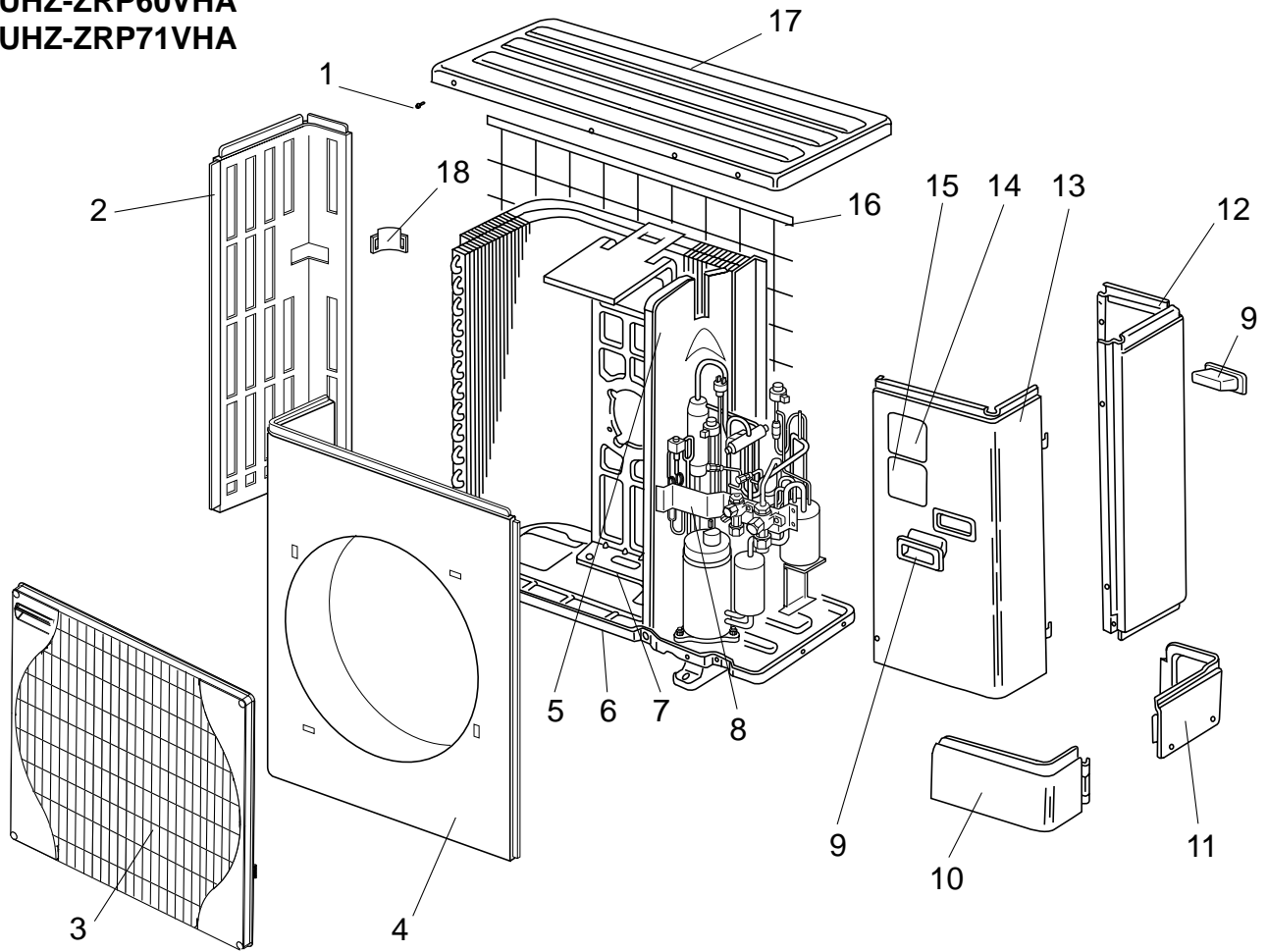
No.	RoHS	Part No.	Part Name	Specification	Q'ty/set	Remarks (Drawing No.)	Wiring Diagram Symbol	Recom- mended Q'ty
					PUHZ-ZRP140YKA			
1	G	R01 E50 221	FAN MOTOR		2		MF1,2	
2	G	R01 E10 115	PROPELLER FAN		2			
3	G	R01 E09 097	NUT		2			
4	G	R01 H41 408	HEAT EXCHANGER		1			
5	G	T7W E12 259	REACTOR		3		ACL1,2,3	
6	G	T7W E17 201	THERMISTOR (DISCHARGE)		1		TH4	
7	G	T97 425 077	COMPRESSOR	ANB33FNCMT	1	With RUBBER MOUNTS	MC	
8	G	R01 E25 410	STOP VALVE	3/8	1			
9	G	R01 E12 410	BALL VALVE	5/8	1			
10	G	R01 E60 440	POWER RECEIVER		1			
11	G	T7W E11 201	THERMISTOR (SHELL)		1		TH32	
12	G	R01 E24 413	CHARGE PLUG		1			
13	G	T7W E31 401	LEV (A)		1	WITH COIL		
14	G	R01 E50 242	LEV COIL		1	CONNECTOR: WHITE	LEV(A)	
15	G	R01 H00 202	THERMISTOR (OUTDOOR PIPE)		1		TH3	
16	G	R01 E15 403	4-WAY VALVE		1			
17	G	T7W E41 242	SOLENOID COIL <4-WAY VALVE>		1		21S4	
18	G	R01 H79 202	THERMISTOR (OUTDOOR PIPE)		1		TH33	
19	G	R01 E49 242	LEV COIL		1	CONNECTOR: RED	LEV(B)	
20	G	R01 H20 401	LEV (B)		1			
21	G	R01 H01 202	THERMISTOR (OUTDOOR 2PHASE PIPE, OUTDOOR)		1		TH6,7	
22	G	T7W E26 401	LEV (C)		1			
23	G	R01 E68 242	LEV COIL		1	CONNECTOR: BLUE	LEV(C)	
24	G	R01 E06 208	HIGH PRESSURE SWITCH		1		63H	
25	G	R01 E18 413	CHARGE PLUG		1			
26	G	T7W E28 346	NOISE FILTER CIRCUIT BOARD		1		N.F.	
27	G	T7W E75 310	CONVERTER CIRCUIT BOARD		1		CONV.B.	
28	G	T7W E83 313	POWER CIRCUIT BOARD		1		P.B.	
29	G	—	ELECTRICAL PARTS BOX		1	(BK00C410G17)		
30	G	R01 E10 233	RESISTOR		1		RS	
31	G	R01 E31 259	REACTOR		1		ACL4	
32	G	R01 E19 246	TERMINAL BLOCK	3P (S1,S2,S3)	1		TB2	
33	G	T7W E30 716	TERMINAL BLOCK	5P (L1,L2,L3,N,⊕)	1		TB1	
34	G	T7W F28 315	CONTROLLER CIRCUIT BOARD		1		C.B.	
35	G	T7W E10 254	CAPACITOR		1		CK	
36	G	R01 E14 239	FUSE	250V 6.3A	4		F1,2,3,4	
37	G	R01 H93 202	THERMISTOR (HEATSINK)		1		TH8	
38	G	R01 E14 510	LEAD ASSY COMP		1			

STRUCTURAL PARTS
PUHZ-ZRP35VKA
PUHZ-ZRP50VKA



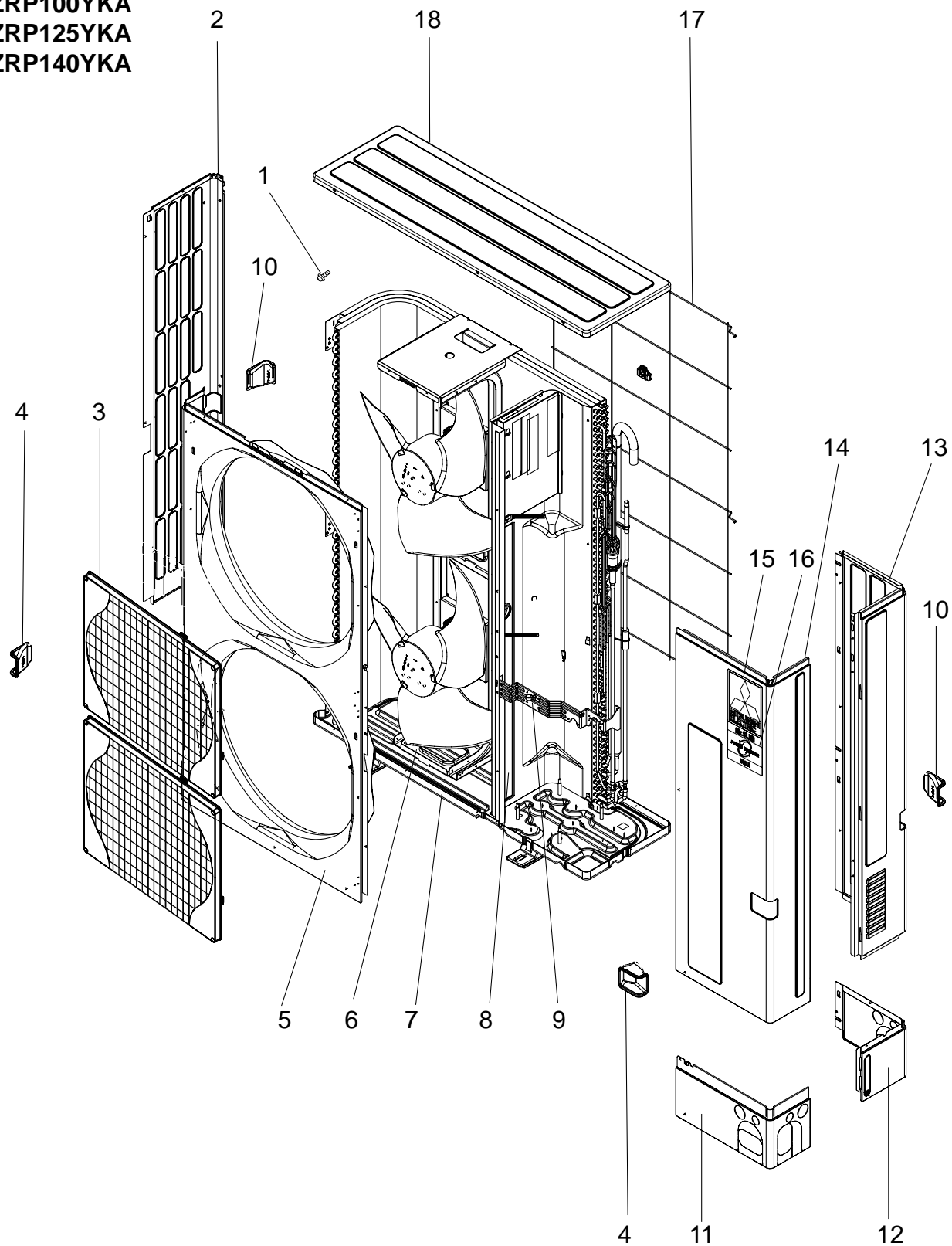
No.	RoHS	Part No.	Part Name	Specification	Q'ty/set		Remarks (Drawing No.)	Wiring Diagram Symbol	Recom- mended Q'ty
					PUHZ-ZRP-VKA	35			
1	G	R01 E61 691	GRILLE		1	1			
2	G	R01 E00 631	ICE GUARD		1	1			
3	G	R01 E21 668	FRONT PANEL		1	1			
4	G	R01 E45 130	MOTOR SUPPORT		1				
	G	R01 E46 130	MOTOR SUPPORT			1			
5	G	R01 E43 686	BESE ASSY		1	1			
6	G	—	SEPARATOR		1	1	(BK00J192G12)		
7	G	R01 E28 667	SERVICE PANEL		1	1			
8	G	R01 E03 633	SERVICE PLATE		1	1			
9	G	R01 E08 682	BACK PANEL		1	1			
10	G	R01 E04 684	REAR GUARD		1				
	G	R01 E05 684	REAR GUARD			1			
11	G	R01 E32 641	TOP PANEL		1	1			
12	G	—	LABEL (MITSUBISHI)		1	1	(DG79R130H03)		
13	G	—	BRAND LABEL		1	1	(BK79C208G02)		
14	G	—	TS.ST SCREW	(4×10)	17	17	(Z504K189H37)		

STRUCTURAL PARTS
PUHZ-ZRP60VHA
PUHZ-ZRP71VHA



No.	RoHS	Part No.	Part Name	Specification	Q'ty/set		Remarks (Drawing No.)	Wiring Diagram Symbol	Recom- mended Q'ty
					PUHZ-ZRP60VHA	PUHZ-ZRP71VHA			
1	G	—	F.ST SCREW	(5x12)	31		(DG12F536H12)		
2	G	R01 E19 662	SIDE PANEL (L)		1				
3	G	R01 E33 691	FAN GRILLE		1				
4	G	R01 E15 668	FRONT PANEL		1				
5	G	—	SEPARATOR		1		(BK00C143GH4)		
6	G	R01 E44 686	BASE ASSY		1				
7	G	R01 E12 130	MOTOR SUPPORT		1				
8	G	—	VALVE BED ASSY		1		(BK00C375G06)		
9	G	R01 E01 655	HANDLE		2				
10	G	R01 E12 658	COVER PANEL (FRONT)		1				
11	G	R01 E24 658	COVER PANEL (REAR)		1				
12	G	R01 E40 661	SIDE PANEL (R)		1				
13	G	T7W E18 668	SERVICE PANEL		1				
14	G	—	LABEL (MITSUBISHI)		1		(DG79R130H03)		
15	G	—	LABEL (INVERTER)		1		(BK79C208G02)		
16	G	R01 E06 698	REAR GUARD		1				
17	G	R01 E29 641	TOP PANEL		1				
18	G	R01 E02 655	HANDLE		1				

STRUCTURAL PARTS
PUHZ-ZRP100VKA
PUHZ-ZRP125VKA
PUHZ-ZRP140VKA
PUHZ-ZRP100YKA
PUHZ-ZRP125YKA
PUHZ-ZRP140YKA





No.	RoHS	Part No.	Part Name	Specifi- cation	Q'ty/set						Remarks (Drawing No.)	Wiring Diagram Symbol	Recom- mended Q'ty
					PUHZ-ZRP-KA								
					100V	125V	140V	100Y	125Y	140Y			
1	G	—	F.ST SCREW	(5x12)	38	38	38	38	38	38	(DG12F536H12)		
2	G	R01 E30 662	SIDE PANEL (L)		1	1	1	1	1	1			
3	G	T7W E08 691	FAN GRILLE		2	2	2	2	2	2			
4	G	R01 E04 655	HANDLE		2	2	2	2	2	2			
5	G	T7W E13 667	FRONT PANEL		1	1	1	1	1	1			
6	G	R01 E47 130	MOTOR SUPPORT		1	1	1	1	1	1			
7	G	R01 E45 686	BASE ASSY		1	1	1	1	1	1			
8	G	—	SEPARATOR		1	1					(BK00B817GA8)		
	G	—	SEPARATOR				1				(BK00B817GB5)		
	G	—	SEPARATOR					1	1		(BK00B817GA5)		
	G	—	SEPARATOR							1	(BK00B817GB4)		
9	G	—	VALVE BED ASSY		1	1	1	1	1	1	(BK00C375G07)		
10	G	R01 E03 655	HANDLE		2	2	2	2	2	2			
11	G	T7W E13 658	COVER PANEL (FRONT)		1	1	1	1	1	1			
12	G	R01 E34 658	COVER PANEL (REAR)		1	1	1	1	1	1			
13	G	R01 E55 661	SIDE PANEL (R)		1	1	1						
	G	T7W E28 661	SIDE PANEL (R)					1	1	1			
14	G	T7W E20 668	SERVICE PANEL		1	1	1	1	1	1			
15	G	—	LABEL (MITSUBISHI)		1	1	1	1	1	1	(DG79R130H03)		
16	G	—	LABEL (INVERTER)		1	1	1	1	1	1	(BK79C208G02)		
17	G	R01 E10 698	REAR GUARD		1	1	1	1	1	1			
18	G	R01 E33 641	TOP PANEL		1	1	1	1	1	1			

Mr. SLIM™

mitsubishi electric corporation

HEAD OFFICE : TOKYO BLDG., 2-7-3, MARUNOUCHI, CHIYODA-KU, TOKYO 100-8310, JAPAN