

PARTS CATALOG

R410A

Outdoor unit

[model names]

[Service Ref.]

PUHZ-P200YHA

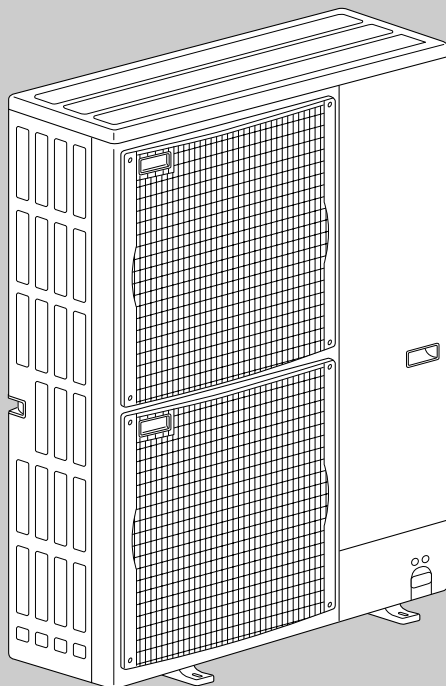
PUHZ-P200YHA

PUHZ-P250YHA

PUHZ-P250YHA

Note:

- This manual describes only service data of the outdoor units.
- RoHS compliant products have <G> mark on the spec name plate.


 PUHZ-P200YHA
 PUHZ-P250YHA

CONTENTS

1. RoHS PARTS LIST2

SERVICE MANUAL (OCH424)

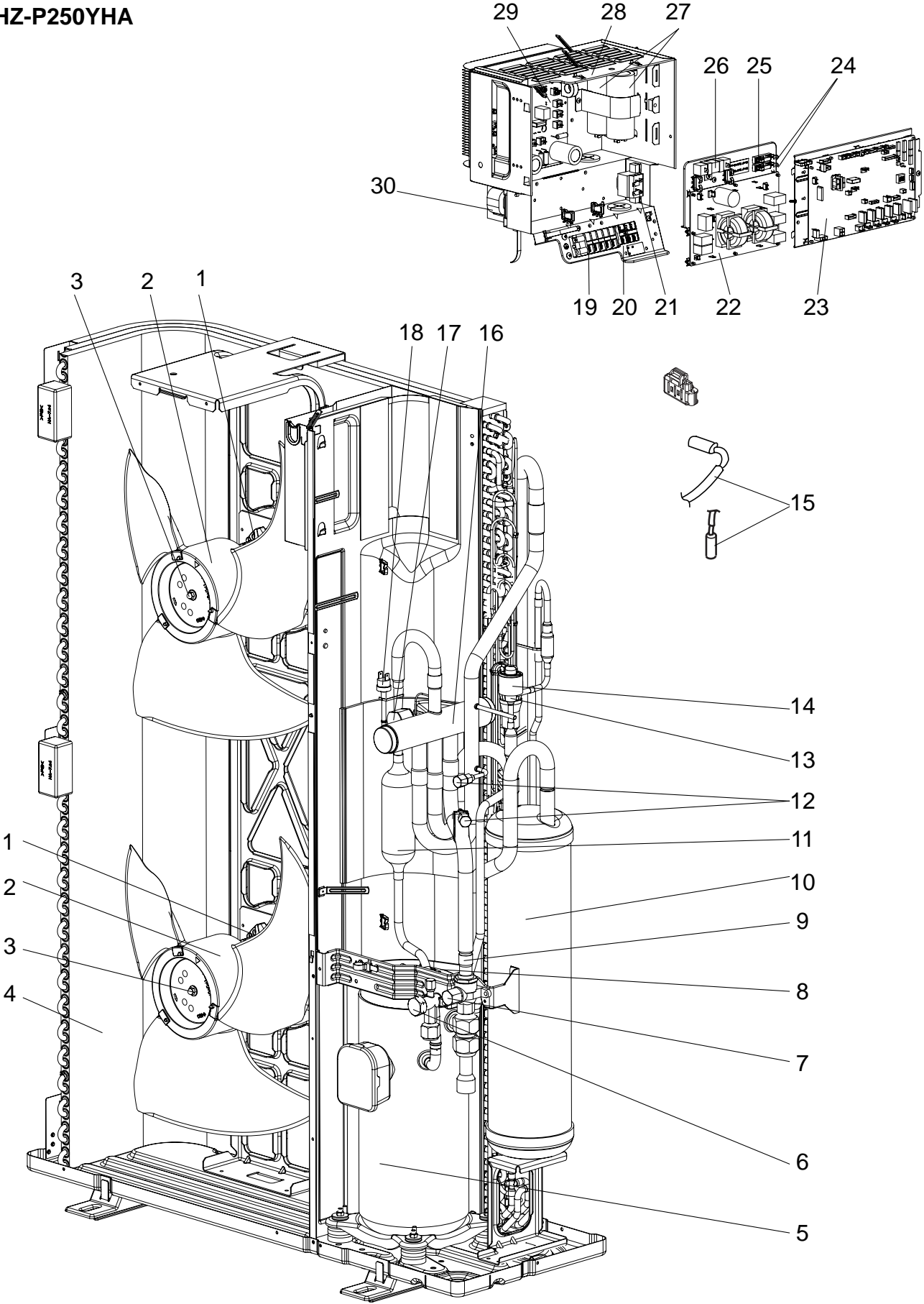
1

RoHS PARTS LIST

FUNCTIONAL AND ELECTRICAL PARTS

PUHZ-P200YHA

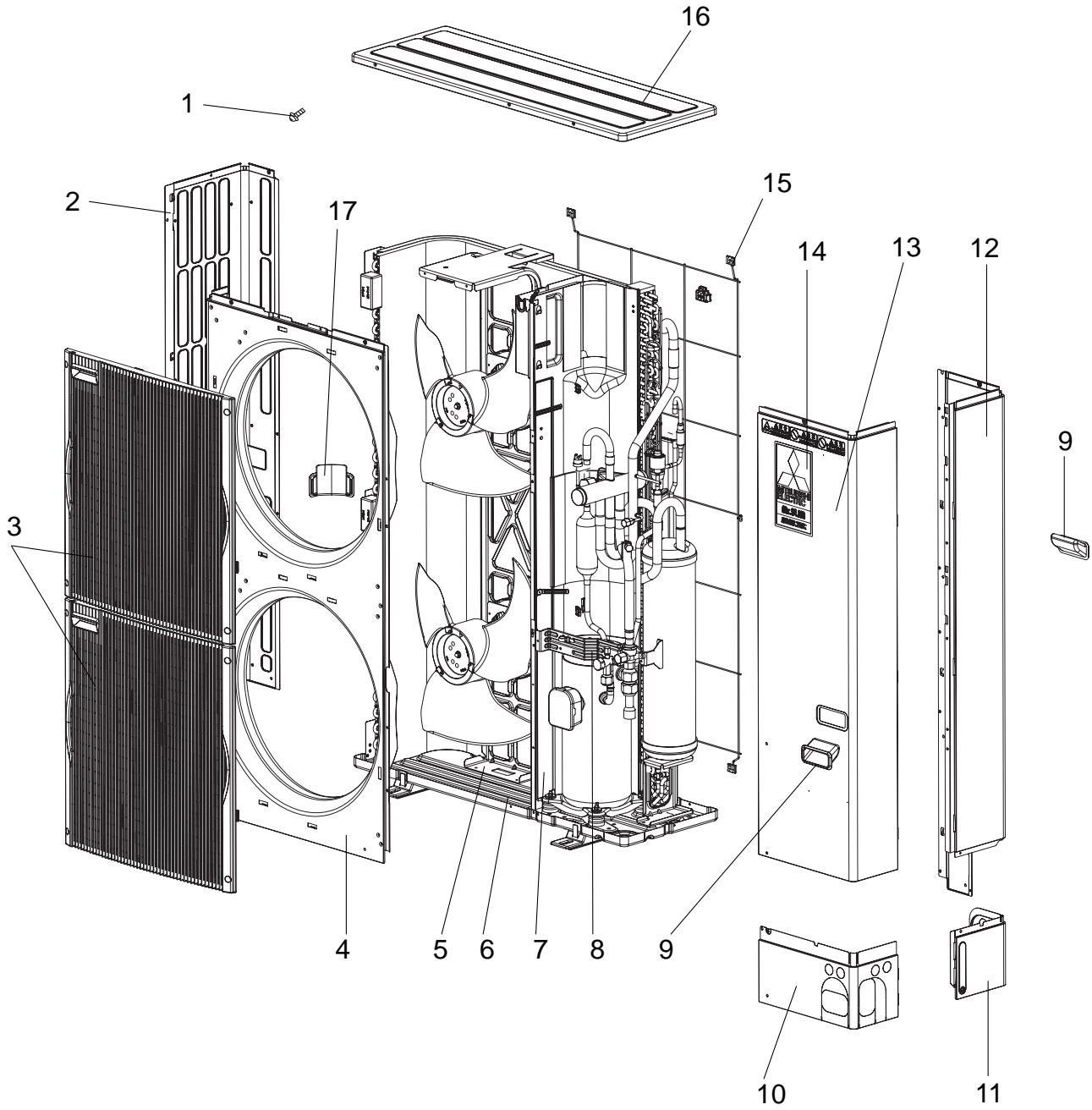
PUHZ-P250YHA



Part numbers that are circled are not shown in the figures.

No.	RoHS	Part No.			Part Name	Specification	Q'ty/set		Remarks (Drawing No.)	Wiring Diagram Symbol	Recom- mended Q'ty
							PUHZ-P-YHA				
							200	250			
1	G	R01	E46	221	FAN MOTOR		2	2		MF1, MF2	
2	G	R01	E06	115	PROPELLER FAN		2	2			
3	G	R01	E09	097	NUT	M6	2	2			
4	G	T7W	E45	408	HEAT EXCHANGER		1				
	G	R01	H04	408	HEAT EXCHANGER			1			
5	G	T97	415	756	COMPRESSOR	ANB52FFJMT	1	1	With RUBBER MOUNTS	MC	
6	G	R01	E13	410	STOP VALVE 3/8		1				
	G	R01	E23	410	STOP VALVE 1/2			1			
7	G	R01	E13	411	BALL VALVE 3/4		1	1			
8	G	R01	E14	201	THERMISTOR (DISCHARGE)		1	1		TH4	
9	G	R01	45L	450	STRAINER		1	1			
10	G	R01	E39	440	ACCUMULATOR		1				
	G	R01	E40	440	ACCUMULATOR			1			
11	G	R01	E10	467	MUFFLER		1	1			
12	G	R01	E24	413	CHARGE PLUG		2	2			
13	G	R01	H19	401	LEV		1	1			
14	G	R01	E50	242	LEV COIL		1	1		LEV-A	
15	G	R01	H01	202	THERMISTOR(2-PHASE PIPE, OUTDOOR)		1	1		TH6,7	
16	G	R01	E32	403	4WAY VALVE		1				
	G	R01	E12	403	4WAY VALVE			1			
17	G	T7W	E39	242	SOLENOID COIL		1	1		21S4	
18	G	R01	E06	208	HIGH PRESSURE SWITCH		1	1		63H	
19	G	T7W	E30	716	TERMINAL BLOCK	5P(L1, L2 ,L3 ,N , ⊕)	1	1		TB1	
20	G	R01	E19	246	TERMINAL BLOCK	3P(S1,S2,S3)	1	1		TB2	
21	G	T7W	E16	259	REACTOR		1	1		ACL4	
22	G	T7W	E24	346	NOISE FILTER		1	1		N.F.	
23	G	T7W	E55	315	CONTROLLER BOARD		1	1		C.B.	
24	G	R01	30L	241	FUSE HOLDER		2	2			
25	G	R01	E07	239	FUSE	250V 15A	2	2		FUSE1, 2	
26	G	R01	E10	233	RESISTOR		1	1		RS	
27	G	T7W	E21	255	MAIN SMOOTHING CAPACITOR		2	2		CB1,2	
28	G		—		ELECTRICAL PARTS BOX		1	1	(BK00B702G04)		
29	G	T7W	E44	313	POWER BOARD		1	1		P.B.	
30	G	T7W	E13	259	REACTOR		1	1		DCL	
③①	G	R01	E96	202	THERMISTOR (OUTDOOR PIPE)		1	1		TH3	
③②	G	R01	E06	239	FUSE	250V 6.3A	2	2		F3,4	

STRUCTURAL PARTS
PUHZ-P200YHA
PUHZ-P250YHA





No.	ROHS	Part No.	Part Name	Specification	Q'ty/set		Remarks (Drawing No.)	Wiring Diagram Symbol	Recom- mended Q'ty
					PUHZ-P-YHA				
					200	250			
1	G	—	F.ST SCREW	(5X10)	38	38	(DG12F536H10)		
2	G	R01 E20 662	SIDE PANEL (L)		1				
	G	R01 E15 662	SIDE PANEL (L)			1			
3	G	T7W E03 691	FAN GRILLE		2	2			
4	G	T7W E06 667	FRONT PANEL		1	1			
5	G	T7W E11 130	MOTOR SUPPORT		1				
	G	R01 E28 130	MOTOR SUPPORT			1			
6	G	R01 E31 686	BASE ASSY		1				
	G	R01 E36 686	BASE ASSY			1			
7	G	—	SEPARATOR		1	1	(BK00C374GC0)		
8	G	—	VALVE BED ASSY		1	1	(BK00C375G03)		
9	G	R01 E01 655	HANDLE		2	2			
10	G	R01 E13 658	COVER PANEL (FRONT)		1	1			
11	G	R01 E11 658	COVER PANEL (REAR)		1	1			
12	G	R01 E29 661	SIDE PANEL(R)		1				
	G	R01 E30 661	SIDE PANEL(R)			1			
13	G	T7W E07 667	SERVICE PANEL		1	1			
14	G	—	LABEL		1	1	(BK79G177H01)		
15	G	R01 E07 698	REAR GUARD		1	1			
16	G	R01 E15 641	TOP PANEL		1	1			
17	G	R01 E02 655	HANDLE		1	1			



Mr. SLIM™

 **mitsubishi electric corporation**

HEAD OFFICE : TOKYO BLDG., 2-7-3, MARUNOUCHI, CHIYODA-KU, TOKYO 100-8310, JAPAN